

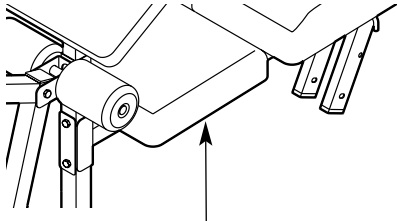
WEIDER[®] PRO 875

USER'S MANUAL

Model No. 831.150680

Serial No. _____

Write the serial number in the space above for future reference.



Serial Number Decal (Under Seat)

EXERCISE
EQUIPMENT

QUESTIONS

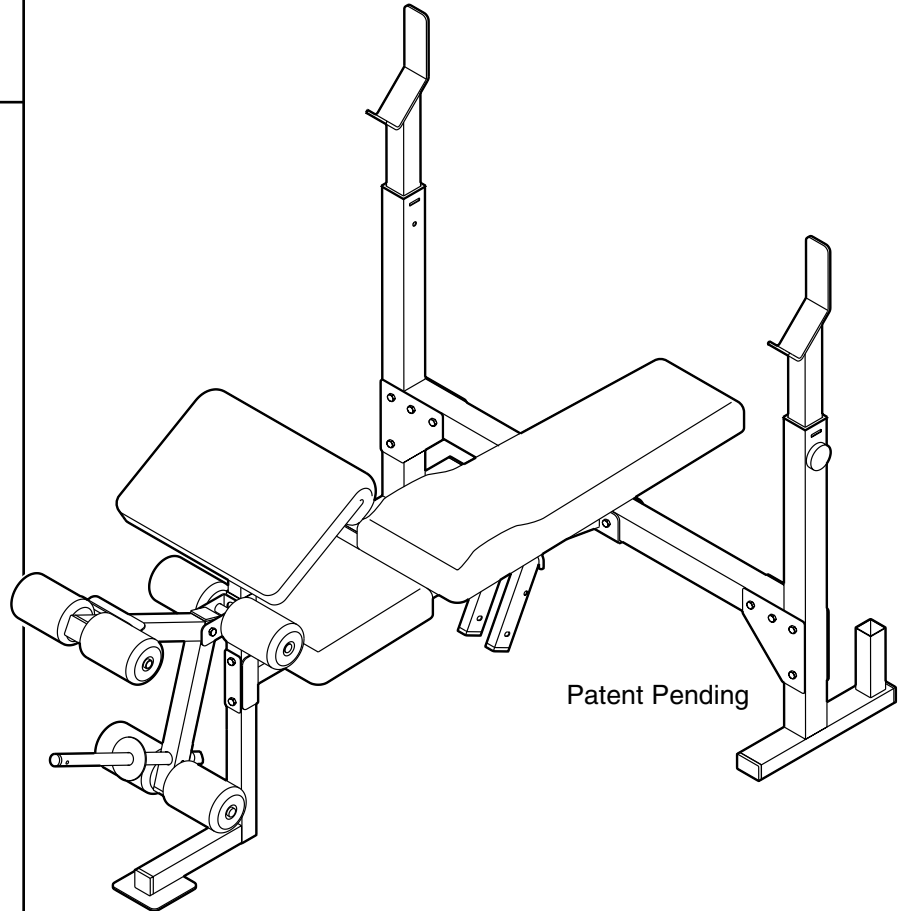
HELPLINE!

1-800-736-6879

SEARS, ROEBUCK AND CO.,
HOFFMAN ESTATES, IL 60179

CAUTION

Read all precautions and instructions in this manual before using this equipment. Save this manual for future reference.



Visit our website at

www.weiderfitness.com

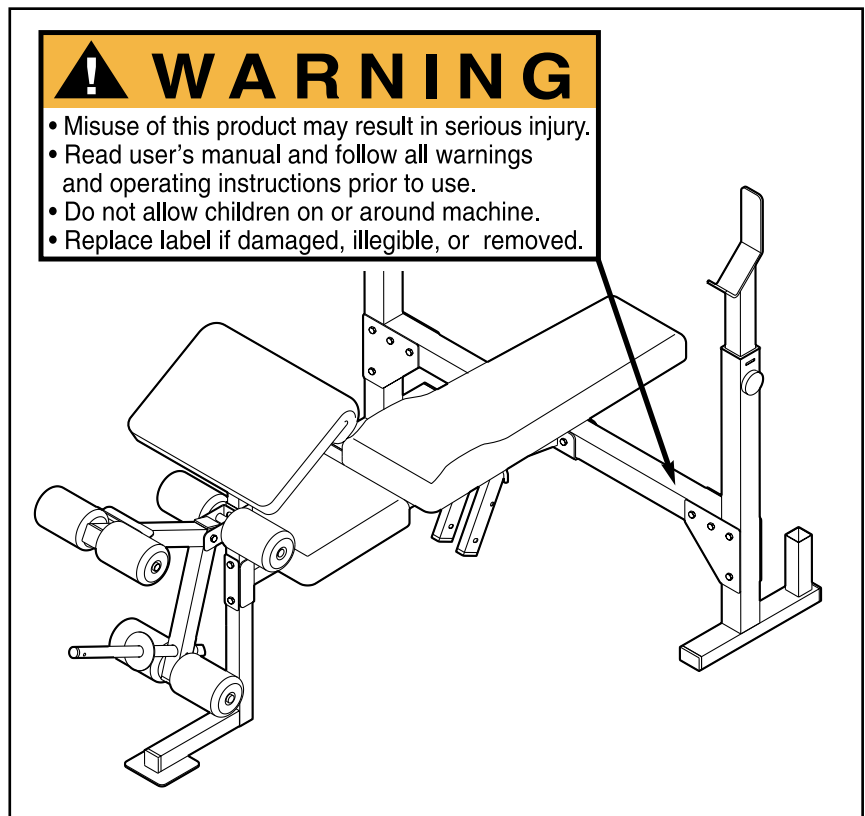
new products, prizes,
fitness tips, and much more!

TABLE OF CONTENTS

WARNING DECAL PLACEMENT2
IMPORTANT PRECAUTIONS3
BEFORE YOU BEGIN4
PART IDENTIFICATION CHART5
ASSEMBLY6
ADJUSTMENTS10
EXERCISE GUIDELINES12
PART LIST14
EXPLODED DRAWING15
ORDERING REPLACEMENT PARTSBack Cover
FULL 90 DAY WARRANTYBack Cover

WARNING DECAL PLACEMENT

The decal shown at the right has been applied to the weight bench. If the decal is missing, or if it is not legible, please call our toll-free HELPLINE at 1-800-736-6879, Monday through Saturday, 7 a.m. until 7 p.m. Central Time (excluding holidays), to order a free replacement decal. Apply the replacement decal in the location shown.



IMPORTANT PRECAUTIONS

⚠ WARNING: To reduce the risk of serious injury, read the following important precautions before using the weight bench.

1. Read all instructions in this manual before using the weight bench. Use the weight bench only as described in this manual.
2. It is the responsibility of the owner to ensure that all users of the weight bench are adequately informed of all precautions.
3. The weight bench is intended for home use only. Do not use the weight bench in any commercial, rental, or institutional setting.
4. Use the weight bench only on a level surface. Cover the floor beneath the weight bench to protect the floor.
5. Make sure all parts are properly tightened each time you use the weight bench. Replace any worn parts immediately.
6. Keep children under the age of 12 and pets away from the weight bench at all times.
7. Always wear athletic shoes for foot protection while exercising.
8. Keep hands and feet away from moving parts.
9. Always be sure there is an equal amount of weight on each side of your barbell when you are using it. When adding or removing weights, always keep some weight on both ends of the barbell and prevent the barbell from tipping. Note: The weight bench does not include a barbell or weights.
10. Always exercise with a partner. Your partner should be ready to catch the barbell if you cannot complete a repetition.
11. The weight bench is designed to support a maximum user weight of 250 pounds. Do not place more than 310 pounds, including a barbell and weights, on the weight rests. Do not place more than 150 pounds on the leg lever.
12. When you are using the leg lever, place a barbell with the same amount of weight on the weight rests to balance the bench.
13. When you put weight on the weight rests, make sure you put at least ten pounds on the leg lever to balance the weight bench.
14. Make sure that the adjustment knobs are inserted completely and tightened into the uprights before beginning any exercise.
15. When adjusting the position of the seat, make sure that the adjustment pin is inserted through both adjustment tubes before beginning any exercise.
16. Always remove the curl post from the front leg before performing leg exercises with the leg lever.
17. If you feel pain or dizziness at any time while exercising, stop immediately and begin cooling down.

⚠ WARNING: Before beginning this or any exercise program, consult your physician. This is especially important for persons over the age of 35 or persons with pre-existing health problems. Read all instructions before using. SEARS assumes no responsibility for personal injury or property damage sustained by or through the use of this product.

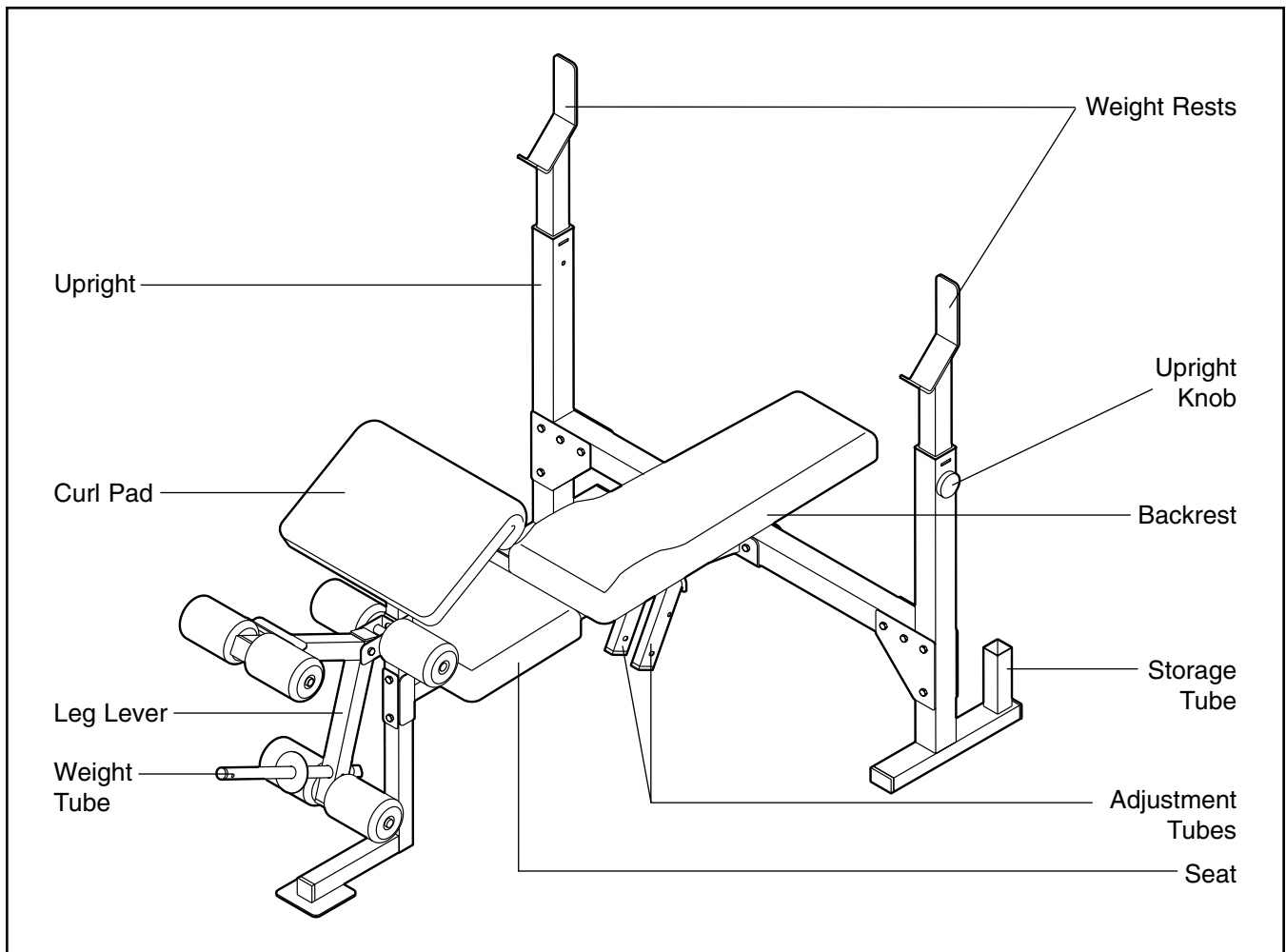
BEFORE YOU BEGIN

Thank you for selecting the WEIDER® PRO 875 weight bench. The versatile WEIDER® PRO 875 is designed to be used with your own weight set (not included) to develop every major muscle group of the body. Whether your goal is a shapely figure, dramatic muscle size and strength, or a healthier cardiovascular system, the WEIDER® PRO 875 will help you to achieve the specific results you want.

For your benefit, read this manual carefully before using the WEIDER® PRO 875 weight bench. If you have additional questions, please call our toll-free

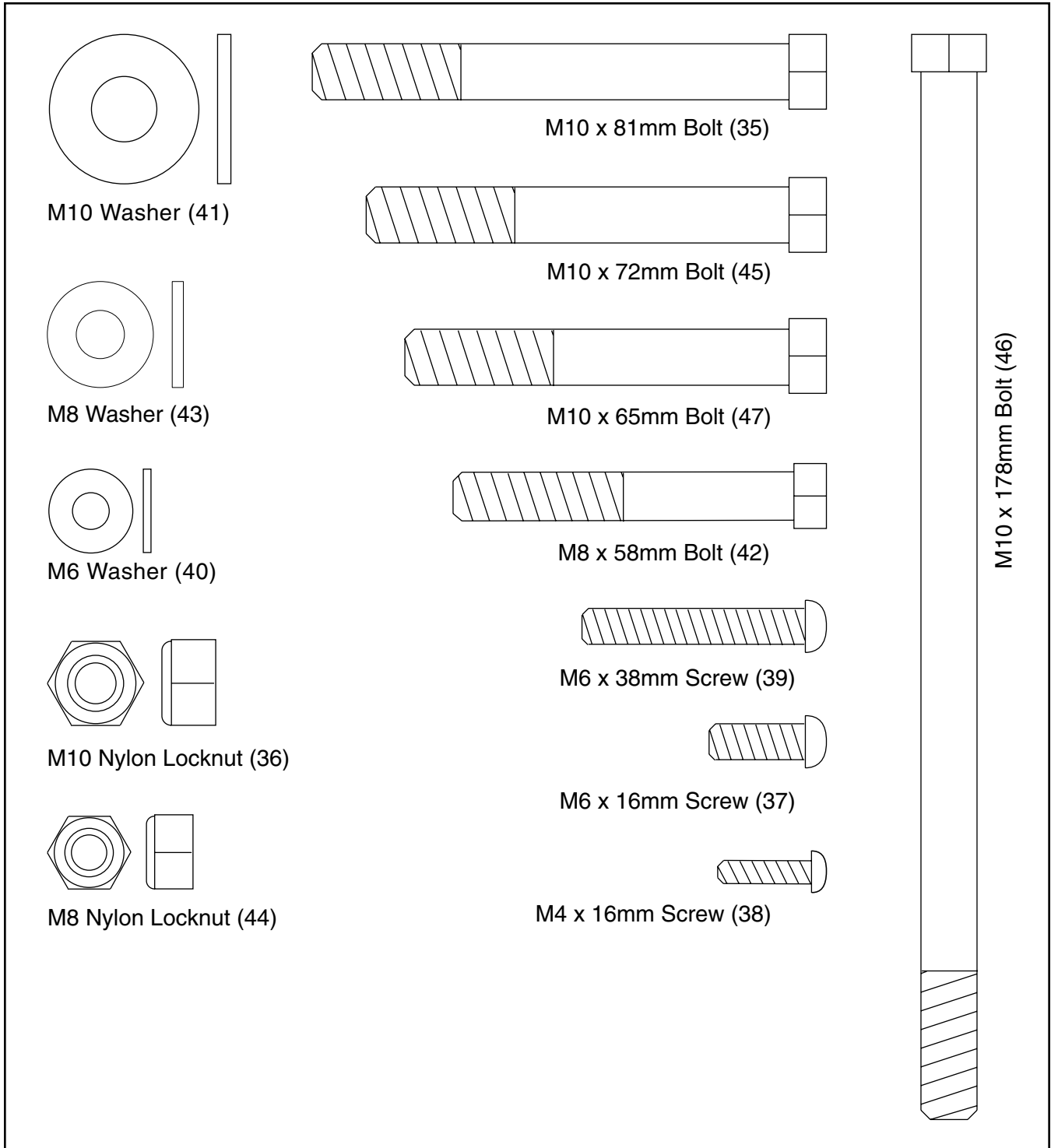
HELPLINE at 1-800-736-6879, Monday through Saturday, 7 a.m. until 7 p.m. Central Time (excluding holidays). To help us assist you, please note the product model number and serial number before calling. The model number is 831.150680. The serial number can be found on a decal attached to the weight bench (see the front cover of this manual).

Before reading further, please look at the drawing below and familiarize yourself with the parts that are labeled.



PART IDENTIFICATION CHART

This chart is provided to help you identify the small parts used in assembly. The number in parenthesis below each part refers to the part number of the part, from the PART LIST on page 14 of this manual. **Important:** Some parts may have been pre-assembled for shipping purposes. If you cannot find a part in the parts bags, check to see if it has been pre-assembled.



ASSEMBLY

Make Things Easier for Yourself



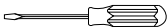
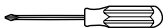
This manual is designed to ensure that the weight bench can be assembled successfully by anyone. Most people find that by setting aside plenty of time, assembly will go smoothly.

Before beginning assembly, carefully read the following information and instructions:

- Assembly requires two people.
- For help identifying small parts, use the PART IDENTIFICATION CHART on page 5.
- Tighten all parts as you assemble them, unless instructed to do otherwise.
- As you assemble the weight bench, make sure all parts are oriented as shown in the drawings.

- Place all parts in a cleared area and remove the packing materials. Do not dispose of the packing materials until assembly is completed.

The following tools (not included) are required for assembly:

- **Two adjustable wrenches** 
- **One rubber mallet** 
- **One standard screwdriver** 
- **One Phillips screwdriver** 
- **Lubricant, such as grease or petroleum jelly, and soapy water.**

Assembly will be more convenient if you have a socket set, a set of open-end or closed-end wrenches, or a set of ratchet wrenches.

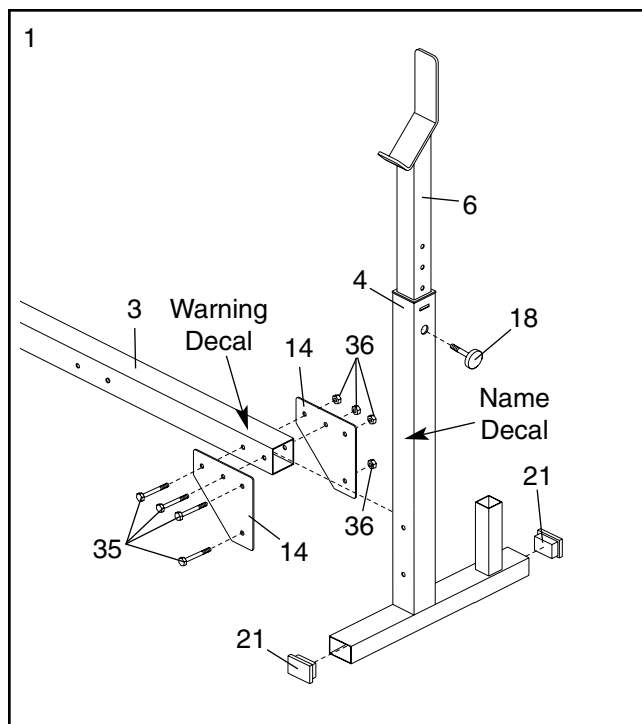
1. Press two 30mm x 60mm Inner Caps (21) into the base on the Left Upright (4).

Align one of the adjustment holes in the left Weight Rest (6) with the hole in the Left Upright (4). Tighten an Upright Knob (18) into the holes.

Orient the Crossbar (3) and the Left Upright (4) so the decals are in the positions shown. Attach the Crossbar to the Left Upright with four M10 x 81mm Bolts (35), two Joint Plates (14), and four M10 Nylon Locknuts (36). **Do not tighten the Nylon Locknuts yet.**

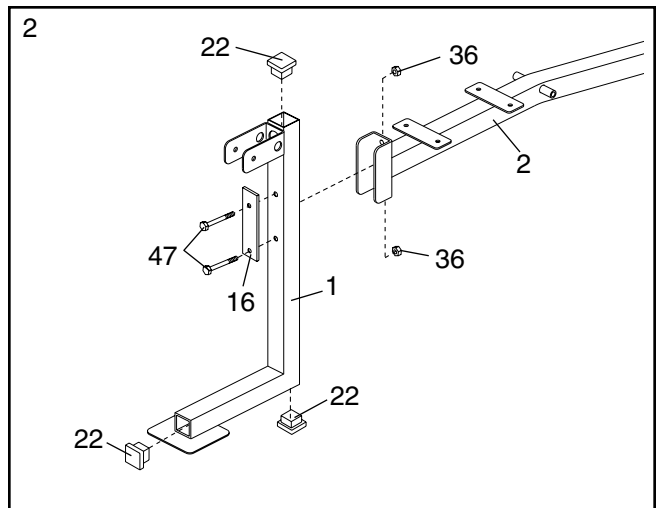
Repeat this step with the Right Upright (not shown).

⚠ WARNING: Always insert the Upright Knobs (18) through a set of adjustment holes in the Weight Rests (6). Do not insert the Upright Knobs through the slots in the Uprights (4, 5).

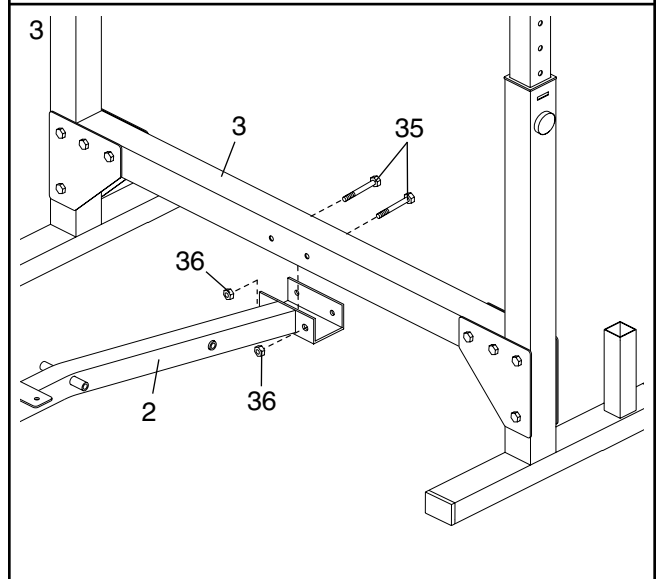


2. Press three 45mm Square Inner Caps (22) into the Front Leg (1).

Attach the Front Leg (1) to the Frame (2) with two M10 x 65mm Bolts (47), a Support Plate (16), and two M10 Nylon Locknuts (36). **Do not tighten the Nylon Locknuts yet.**

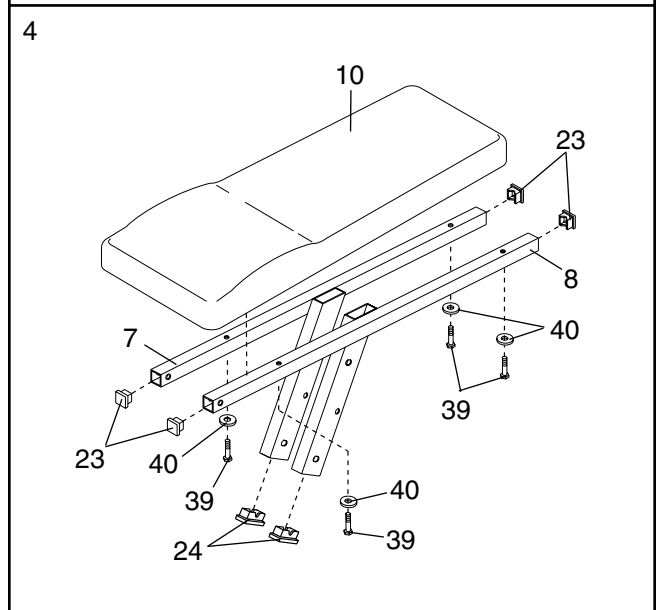


3. Attach the Frame (2) to the Crossbar (3) with two M10 x 81mm Bolts (35) and two M10 Nylon Locknuts (36). **Do not tighten the Nylon Locknuts yet.**



4. Press four 1" Square Inner Caps (23) into the ends of the Right and Left Backrest Frames (7, 8). Press two 1" x 2" Inner Caps (24) into the adjustment tubes on the Backrest Frames.

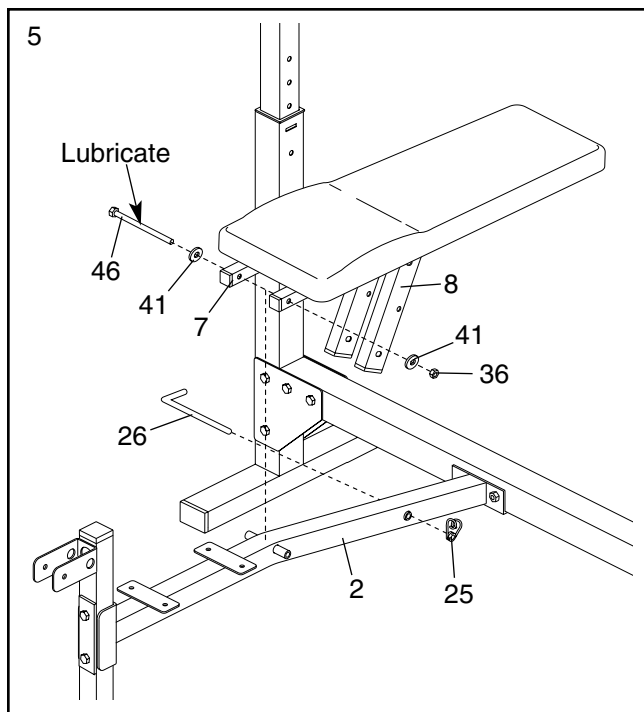
Orient the Backrest (10) as shown. Attach the Backrest to the Right and Left Backrest Frames (7, 8) with four M6 x 38mm Screws (39) and four M6 Washers (40). **Do not tighten the Screws yet.**



- Lubricate the M10 x 178mm Bolt (46). Attach the Right and Left Backrest Frames (7, 8) to the Frame (2) with the Bolt, two M10 Washers (41), and an M10 Nylon Locknut (36).

Align an adjustment hole in the Right and Left Backrest Frames (7, 8) with the indicated hole in the Frame (2). Insert the Backrest Pin (26) through the Frame and the Backrest Frames, and secure it with the Spring Clip (25).

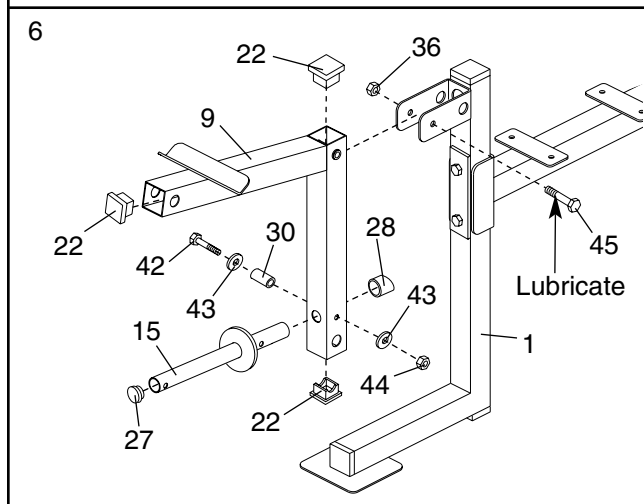
Tighten all of the M10 Nylon Locknuts (36) used in steps 1–3. Tighten the four M6 x 38mm Screws (39) used in step 4.



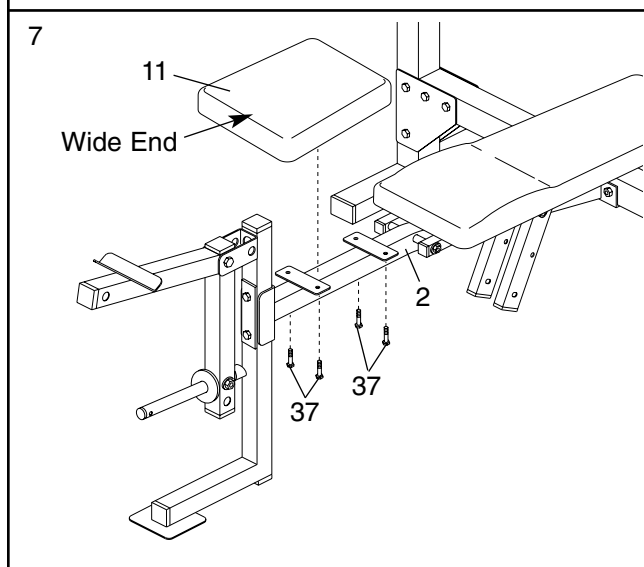
- Press three 45mm Square Inner Caps (22) into the Leg Lever (9). Press a 1" Round Inner Cap (27) into the indicated end of the Weight Tube (15).

Attach the Weight Tube (15) to the Leg Lever (9) with the M8 x 58mm Bolt (42), two M8 Washers (43), the Spacer (30), and an M8 Nylon Locknut (44). Press the 1" Angled Cap (28) onto the back of the Weight Tube.

Lubricate an M10 x 72mm Bolt (45). Attach the Leg Lever (9) to the Front Leg (1) with the Bolt and an M10 Nylon Locknut (36). **Do not over-tighten the Nylon Locknut; the Leg Lever must be able to pivot easily.**



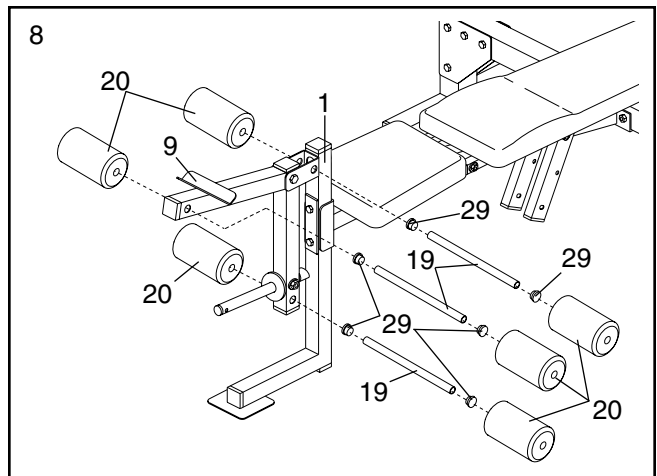
- Orient the Seat (11) with the wide end on the side shown. Attach the Seat to the Frame (2) with four M6 x 16mm Screws (37).



8. Press two 3/4" Round Inner Caps (29) into each Pad Tube (19).

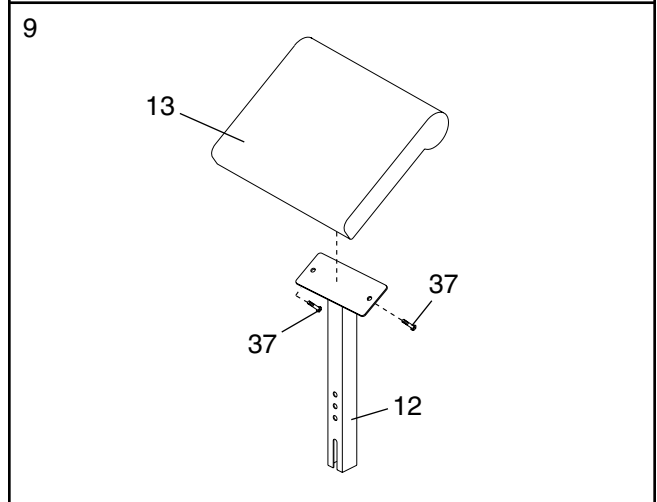
Slide two Pad Tubes (19) through the Leg Lever (9). Slide the third Pad Tube through the holes in the Front Leg (1).

Slide two Foam Pads (20) onto the ends of each Pad Tube (19).



9. Attach the Curl Pad (13) to the Curl Post (12) with two M6 x 16mm Screws (37).

10. **Make sure that all parts are properly tightened before you use the weight bench.** The use of all remaining parts will be explained in ADJUSTMENTS, beginning on page 10.



ADJUSTMENTS

The weight bench is designed to be used with your own weight set (not included). The steps below explain how the weight bench can be adjusted. See EXERCISE GUIDELINES on page 12 for important exercise information and refer to the accompanying exercise guide to see the correct form for several exercises. Refer also to the exercise information accompanying your weight set for additional exercises.

Make sure all parts are properly tightened each time you use the weight bench. Replace any worn parts immediately. The weight bench can be cleaned with a damp cloth and a mild, non-abrasive detergent. Do not use solvents.

ATTACHING WEIGHTS TO THE LEG LEVER

To use the Leg Lever (9), slide the desired weights (not included) onto the Weight Tube (15).

To use Olympic weights, press a Weight Adapter Bushing (34) into each end of the Weight Adapter (33). Slide the Weight Adapter onto the Weight Tube (15) and secure it with the Weight Pin (48).

⚠ WARNING: Do not place more than 150 pounds on the Leg Lever (9).

ATTACHING THE CURL PAD

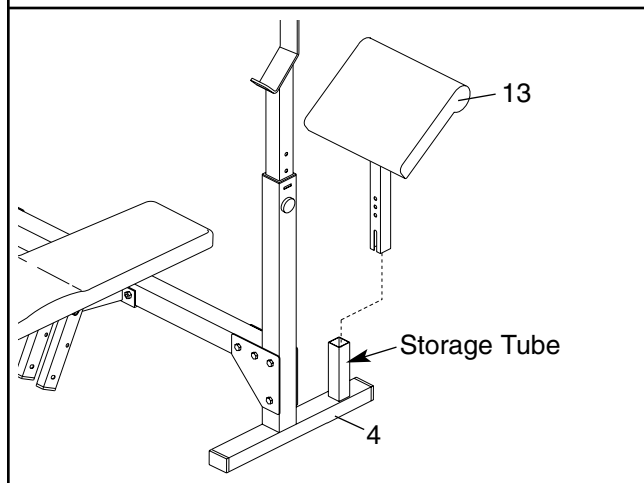
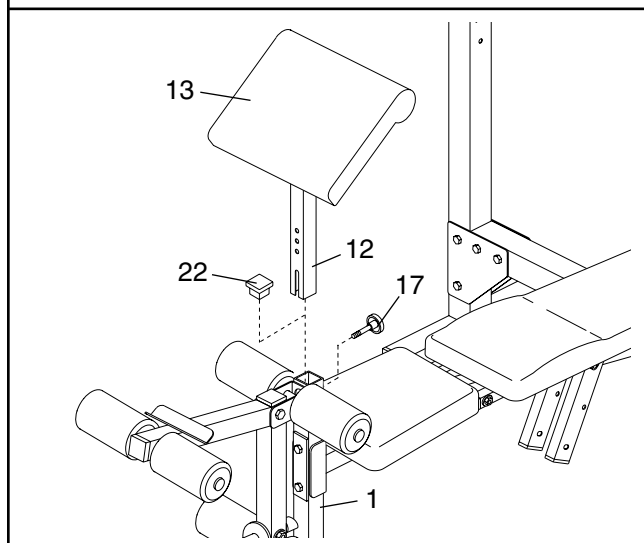
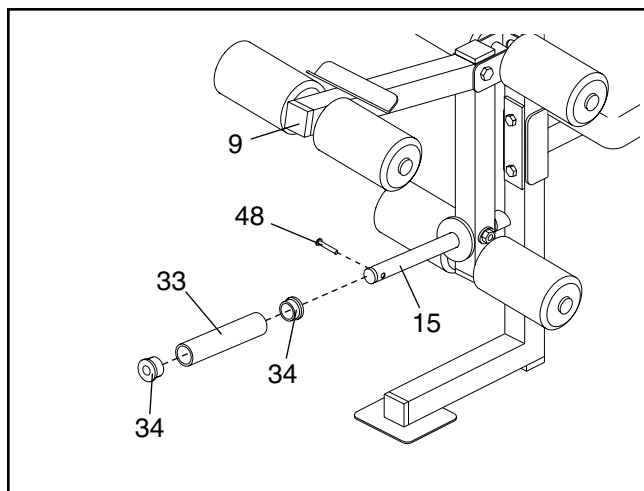
For some exercises, the Curl Pad (13) must be attached to the weight bench.

Slide the Curl Post (12) into the Front Leg (1). Align one of the adjustment holes in the Curl Post with the adjustment hole in the Front Leg. Tighten the Curl Post Knob (17) into the adjustment hole in the Front Leg. **Make sure that you fully tighten the Curl Post Knob.**

Note: When the Curl Pad (13) is not in use, the 45mm Square Inner Cap (22) should be inserted into the Front Leg (1).

STORING THE CURL PAD

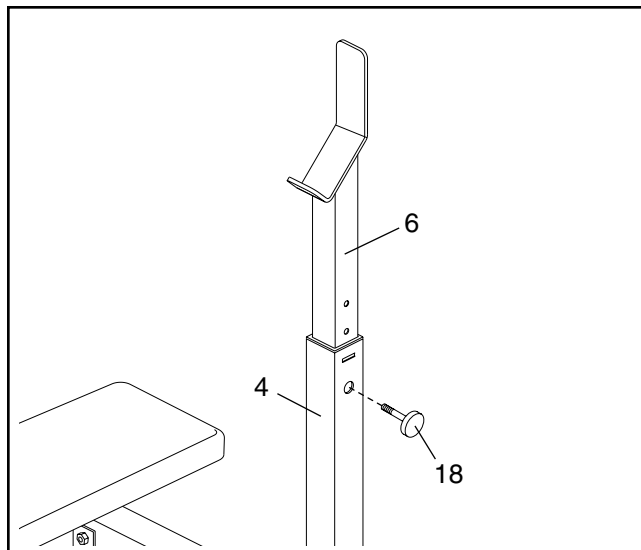
When the Curl Pad (13) is not in use, it can be stored in the storage tube on the Left Upright (4).



ADJUSTING THE UPRIGHTS

The Weight Rests (6) can be adjusted to six heights to accommodate different exercises. To adjust the height, remove the Upright Knobs (18) from both Weight Rests and Uprights (4, 5 [not shown]). Slide the Weight Rests to the desired position and re-insert the Upright Knobs.

⚠ WARNING: Always set both Weight Rests (6) at the same height. Make sure that the Upright Knobs (18) are inserted completely and tightened into the Uprights (4, 5) before you begin any exercise.

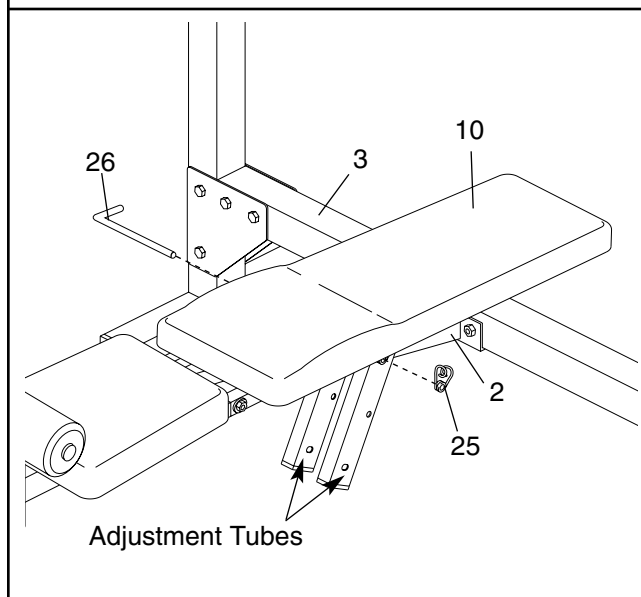


ADJUSTING THE BACKREST

The Backrest (10) can be used in either a decline position, a level position, or two incline positions. To adjust the Backrest to the decline position, remove the Backrest Pin (26) and lower the Backrest until it rests directly on the Crossbar (3). Re-insert the Backrest Pin into the adjustment tubes.

To adjust the Backrest (10) to the level position, insert the Backrest Pin (26) through the top set of holes in the adjustment tubes and the Frame (2). Secure the Backrest Pin with the Spring Clip (25).

To adjust the Backrest (10) to an incline position, insert the Backrest Pin (26) through one of the lower two sets of holes in the adjustment tubes and the Frame (2). Secure the Backrest Pin with the Spring Clip (25).



⚠ WARNING: When adjusting the position of the Backrest (10), make sure that the Backrest Pin (26) is inserted through both adjustment tubes and the Frame (2).

EXERCISE GUIDELINES

THE FOUR BASIC TYPES OF WORKOUTS

Muscle Building

To increase the size and strength of your muscles, push them close to their maximum capacity. Your muscles will continually adapt and grow as you progressively increase the intensity of your exercise. You can adjust the intensity level of an individual exercise in two ways:

- by changing the amount of weight used
- by changing the number of repetitions or sets performed. (A “repetition” is one complete cycle of an exercise, such as one sit-up. A “set” is a series of repetitions.)

The proper amount of weight for each exercise depends upon the individual user. You must gauge your limits and select the amount of weight that is right for you. Begin with 3 sets of 8 repetitions for each exercise you perform. Rest for 3 minutes after each set. When you can complete 3 sets of 12 repetitions without difficulty, increase the amount of weight.

Toning

You can tone your muscles by pushing them to a moderate percentage of their capacity. Select a moderate amount of weight and increase the number of repetitions in each set. Complete as many sets of 15 to 20 repetitions as possible without discomfort. Rest for 1 minute after each set. Work your muscles by completing more sets rather than by using high amounts of weight.

Weight Loss

To lose weight, use a low amount of weight and increase the number of repetitions in each set. Exercise for 20 to 30 minutes, resting for a maximum of 30 seconds between sets.

Cross Training

Cross training is an efficient way to get a complete and well-balanced fitness program. An example of a balanced program is:

- Plan weight training workouts on Monday, Wednesday, and Friday.
- Plan 20 to 30 minutes of aerobic exercise, such as cycling or swimming, on Tuesday and Thursday.
- Rest from both weight training and aerobic exercise for at least one full day each week to give your body time to regenerate.

The combination of weight training and aerobic exercise will reshape and strengthen your body, and develop your heart and lungs.

PERSONALIZING YOUR EXERCISE PROGRAM

Determining the exact length of time for each workout, as well as the number of repetitions or sets completed, is an individual matter. It is important to avoid overdoing it during the first few months of your exercise program. You should progress at your own pace and be sensitive to your body’s signals. If you experience pain or dizziness at any time while exercising, stop immediately and begin cooling down. Find out what is wrong before continuing. Remember that adequate rest and a proper diet are important factors in any exercise program.

WARMING UP

Begin each workout with 5 to 10 minutes of stretching and light exercise to warm up. Warming up prepares your body for more strenuous exercise by increasing circulation, raising your body temperature and delivering more oxygen to your muscles.

WORKING OUT

Each workout should include 6 to 10 different exercises. Select exercises for every major muscle group, emphasizing areas that you want to develop most. To give balance and variety to your workouts, vary the exercises from session to session.

Schedule your workouts for the time of day when your energy level is the highest. Each workout should be followed by at least one day of rest. Once you find the schedule that is right for you, stick with it.

EXERCISE FORM

Maintaining proper form is an essential part of an effective exercise program. This requires moving through the full range of motion for each exercise, and moving only the appropriate parts of the body. Exercising in an uncontrolled manner will leave you feeling exhausted. On the exercise guide accompanying this manual you will find photographs showing the correct form for several exercises, and a list of the muscles affected. Refer to the muscle chart on page 13 to find the names of the muscles.

The repetitions in each set should be performed smoothly and without pausing. The exertion stage of each repetition should last about half as long as the return stage. Proper breathing is important. Exhale during the exertion stage of each repetition and inhale during the return stroke. Never hold your breath.

Rest for a short period of time after each set. The ideal resting periods are:

- Rest for three minutes after each set for a muscle building workout.
- Rest for one minute after each set for a toning workout.
- Rest for 30 seconds after each set for a weight loss workout.

Plan to spend the first couple of weeks familiarizing yourself with the equipment and learning the proper form for each exercise.

COOLING DOWN

End each workout with 5 to 10 minutes of stretching. Include stretches for both your arms and legs. Move

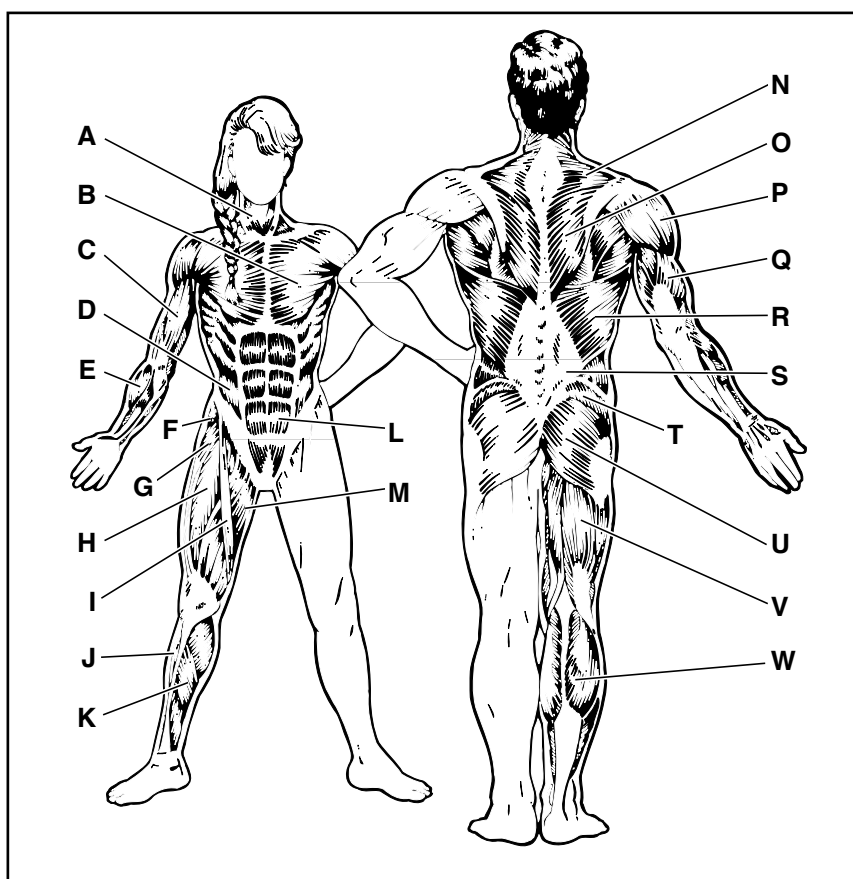
slowly as you stretch and do not bounce. Ease into each stretch gradually and go only as far as you can without strain. Stretching at the end of each workout is an effective way to increase flexibility.

STAYING MOTIVATED

For motivation, keep a record of each workout. List the date, the exercises performed, the weight used, and the numbers of sets and repetitions completed. Record your weight and key body measurements at the end of every month. Remember, the key to achieving the greatest results is to make exercise a regular and enjoyable part of your everyday life.

MUSCLE CHART

- A. Sternomastoid (neck)
- B. Pectoralis Major (chest)
- C. Biceps (front of arm)
- D. Obliques (waist)
- E. Brachioradials (forearm)
- F. Hip Flexors (upper thigh)
- G. Abductor (outer thigh)
- H. Quadriceps (front of thigh)
- I. Sartorius (front of thigh)
- J. Tibialis Anterior (front of calf)
- K. Soleus (front of calf)
- L. Rectus Abdominus (stomach)
- M. Adductor (inner thigh)
- N. Trapezius (upper back)
- O. Rhomboideus (upper back)
- P. Deltoid (shoulder)
- Q. Triceps (back of arm)
- R. Latissimus Dorsi (mid back)
- S. Spinae Erectors (lower back)
- T. Gluteus Medius (hip)
- U. Gluteus Maximus (buttocks)
- V. Hamstring (back of leg)
- W. Gastrocnemius (back of calf)



PART LIST—Model No. 831.150680

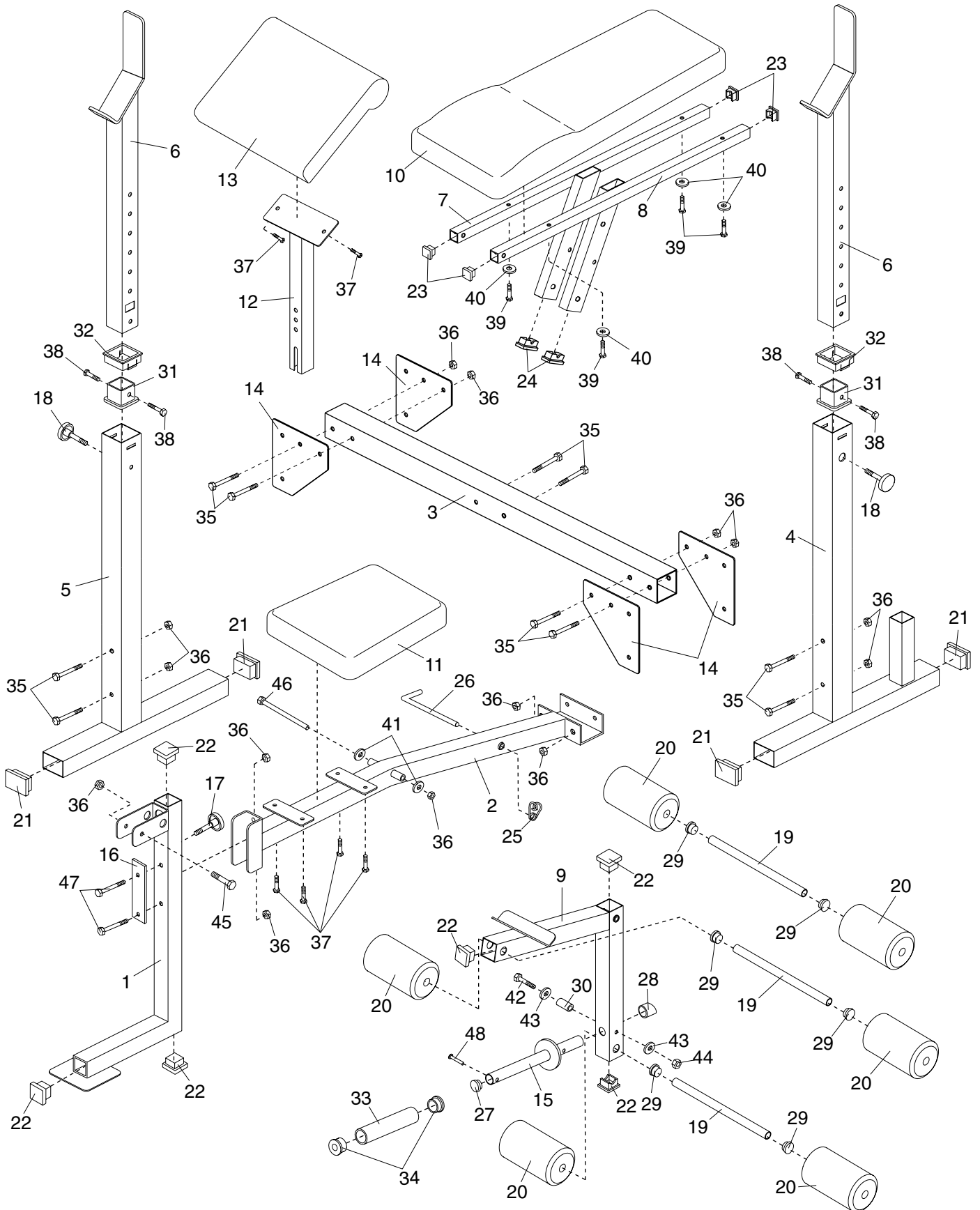
R1101A

Key No.	Qty.	Description	Key No.	Qty.	Description
1	1	Front Leg	26	1	Backrest Pin
2	1	Frame	27	1	1" Round Inner Cap
3	1	Crossbar	28	1	1" Angled Cap
4	1	Left Upright	29	6	3/4" Round Inner Cap
5	1	Right Upright	30	1	Spacer
6	2	Weight Rest	31	2	50mm Square Bushing
7	1	Right Backrest Frame	32	2	60mm Square Bushing
8	1	Left Backrest Frame	33	1	Weight Adapter
9	1	Leg Lever	34	2	Weight Adapter Bushing
10	1	Backrest	35	10	M10 x 81mm Bolt
11	1	Seat	36	14	M10 Nylon Locknut
12	1	Curly Post	37	6	M6 x 16mm Screw
13	1	Curly Pad	38	4	M4 x 16mm Screw
14	4	Joint Plate	39	4	M6 x 38mm Screw
15	1	Weight Tube	40	4	M6 Washer
16	1	Support Plate	41	2	M10 Washer
17	1	Curly Post Knob	42	1	M8 x 58mm Bolt
18	2	Upright Knob	43	2	M8 Washer
19	3	Pad Tube	44	1	M8 Nylon Locknut
20	6	Foam Pad	45	1	M10 x 72mm Bolt
21	4	30mm x 60mm Inner Cap	46	1	M10 x 178mm Bolt
22	6	45mm Square Inner Cap	47	2	M10 x 65mm Bolt
23	4	1" Square Inner Cap	48	1	Weight Pin
24	2	1" x 2" Inner Cap	#	1	User's Manual
25	1	Spring Clip	#	1	Exercise Guide

"#" Indicates a non-illustrated part. Specifications are subject to change without notice. See the back cover of this manual for information on ordering replacement parts.

EXPLODED DRAWING—Model No. 831.150680

R1101A



ORDERING REPLACEMENT PARTS

Model No. 831.150680

QUESTIONS?

If you find that:

- you need help assembling or operating the WEIDER® PRO 875
- a part is missing
- or you need to schedule repair service

call our toll-free HELPLINE

1-800-736-6879

Monday–Saturday, 7 am–7 pm
Central Time (excluding holidays)

REPLACEMENT PARTS

If parts become worn and need to be replaced, call the following toll-free number

1-800-FON-PART
(1-800-366-7278)

The model number and serial number of your WEIDER® PRO 875 are listed on a decal attached to the frame. See the front cover of this manual to find the location of the decal.

All replacement parts are available for immediate purchase or special order when you visit your nearest SEARS Service Center. To request service or to order parts by telephone, call the toll-free numbers listed at the left.

When requesting help or service, or ordering parts, please be prepared to provide the following information:

- The MODEL NUMBER of the product (831.150680)
- The NAME of the product (WEIDER® PRO 875 weight bench)
- The PART NUMBER and DESCRIPTION of the PART (see the PART LIST and the EXPLODED DRAWING on pages 14 and 15 of this manual)

SEARS, ROEBUCK AND CO., HOFFMAN ESTATES, IL 60179

FULL 90 DAY WARRANTY

For 90 days from the date of purchase, if failure occurs due to defect in material or workmanship in this SEARS WEIGHT BENCH EXERCISER, contact the nearest SEARS Service Center throughout the United States and SEARS will repair or replace the WEIGHT BENCH EXERCISER, free of charge.

This warranty does not apply when the WEIGHT BENCH EXERCISER is used commercially or for rental purposes.

This warranty gives you specific legal rights, and you may also have other rights which vary from state to state.

SEARS, ROEBUCK AND CO., DEPT. 817WA, HOFFMAN ESTATES, IL 60179

Free Manuals Download Website

<http://myh66.com>

<http://usermanuals.us>

<http://www.somanuals.com>

<http://www.4manuals.cc>

<http://www.manual-lib.com>

<http://www.404manual.com>

<http://www.luxmanual.com>

<http://aubethermostatmanual.com>

Golf course search by state

<http://golfingnear.com>

Email search by domain

<http://emailbydomain.com>

Auto manuals search

<http://auto.somanuals.com>

TV manuals search

<http://tv.somanuals.com>