



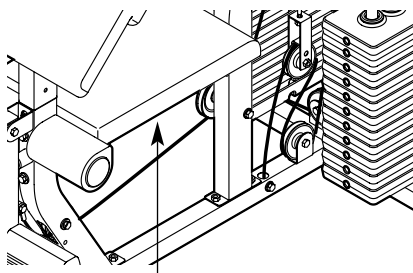
WEIDER PRO

4850

Model No. 831.153931

Serial No. _____

Write the serial number in the space above for reference.



Serial Number Decal (under seat)

EXERCISE
EQUIPMENT

QUESTIONS

HELPLINE!

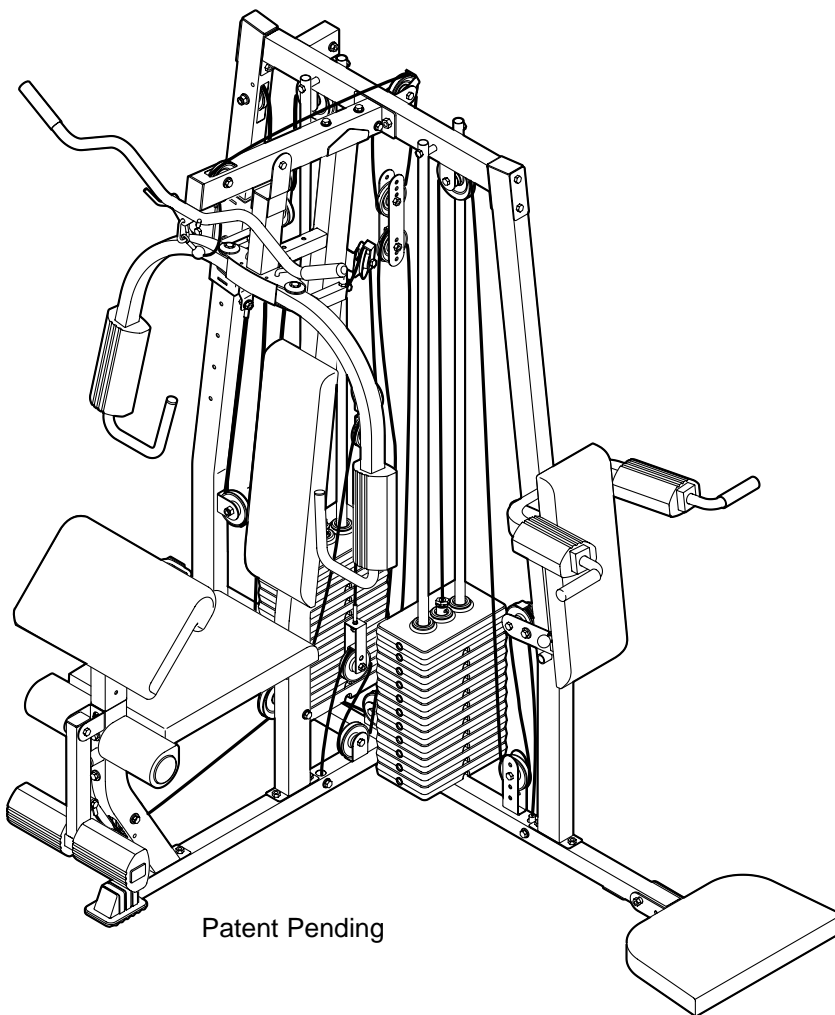
1-800-736-6879

SEARS, ROEBUCK AND CO.
HOFFMAN ESTATES, IL 60179

CAUTION

Read all precautions and instructions in this manual before using this equipment. Save this manual for future reference.

USER'S MANUAL



Patent Pending



Visit our website at

www.weiderfitness.com

*new products, prizes,
fitness tips, and much more!*



WEIDER PRO

4850

TABLE OF CONTENTS

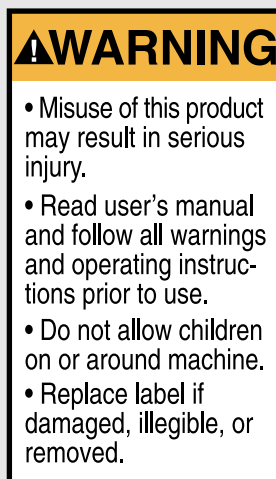
IMPORTANT PRECAUTIONS3
BEFORE YOU BEGIN4
ASSEMBLY5
ADJUSTMENTS22
WEIGHT RESISTANCE CHART24
TROUBLESHOOTING25
CABLE DIAGRAMS26
ORDERING REPLACEMENT PARTSBack Cover
FULL 90 DAY WARRANTYBack Cover

Note: A PART IDENTIFICATION CHART and a PART LIST/EXPLODED DRAWING are attached in the center of this manual. Remove the PART IDENTIFICATION CHART and the PART LIST/EXPLODED DRAWING before beginning assembly.

IMPORTANT PRECAUTIONS

⚠️ WARNING: To reduce the risk of serious injury, read the following important precautions before using the weight system.

1. Read all instructions in this manual and in the accompanying literature before using the weight system.
2. It is the responsibility of the owner to ensure that all users of the weight system are adequately informed of all precautions.
3. The weight system is intended for home use only. Do not use the weight system in any commercial, rental, or institutional setting.
4. Use the weight system only on a level surface. Cover the floor beneath the weight system to protect the floor.
5. Make sure that all parts are properly tightened each time you use the weight system. Replace any worn parts immediately.
6. Keep children under 12 and pets away from the weight system at all times.
7. Keep hands and feet away from moving parts.
8. Always wear athletic shoes for foot protection.
9. The weight system is designed to support a maximum user weight of 300 pounds.
10. The weight system should not be used by more than one person at a time.
11. Always stand on the foot plate when performing an exercise that could cause the weight system to tip.
12. Never release the butterfly arms, leg lever, squat arm, lat bar, row bar, or handle while weights are raised. The weights will fall with great force.
13. *Always disconnect the lat bar from the weight system when performing an exercise that does not use the lat bar.*
14. Make sure that the cables remain on the pulleys at all times. If the cables bind while you are exercising, stop immediately and make sure that the cables are on all of the pulleys.
15. If you feel pain or dizziness at any time while exercising, stop immediately and begin cooling down.
16. The warning decals shown here have been placed on the weight system in the locations shown on page 4. If a decal is missing or illegible, please call our toll-free HELPLINE at 1-800-736-6879, Monday through Saturday, 7 a.m. until 7 p.m. Central Time, to order a free replacement decal. Place the decal on the weight system in the location shown.



Decal 1



Decal 2

⚠️ WARNING: Before beginning this or any exercise program, consult your physician. This is especially important for persons over the age of 35 or persons with pre-existing health problems. Read all instructions before using. SEARS assumes no responsibility for personal injury or property damage sustained by or through the use of this product.

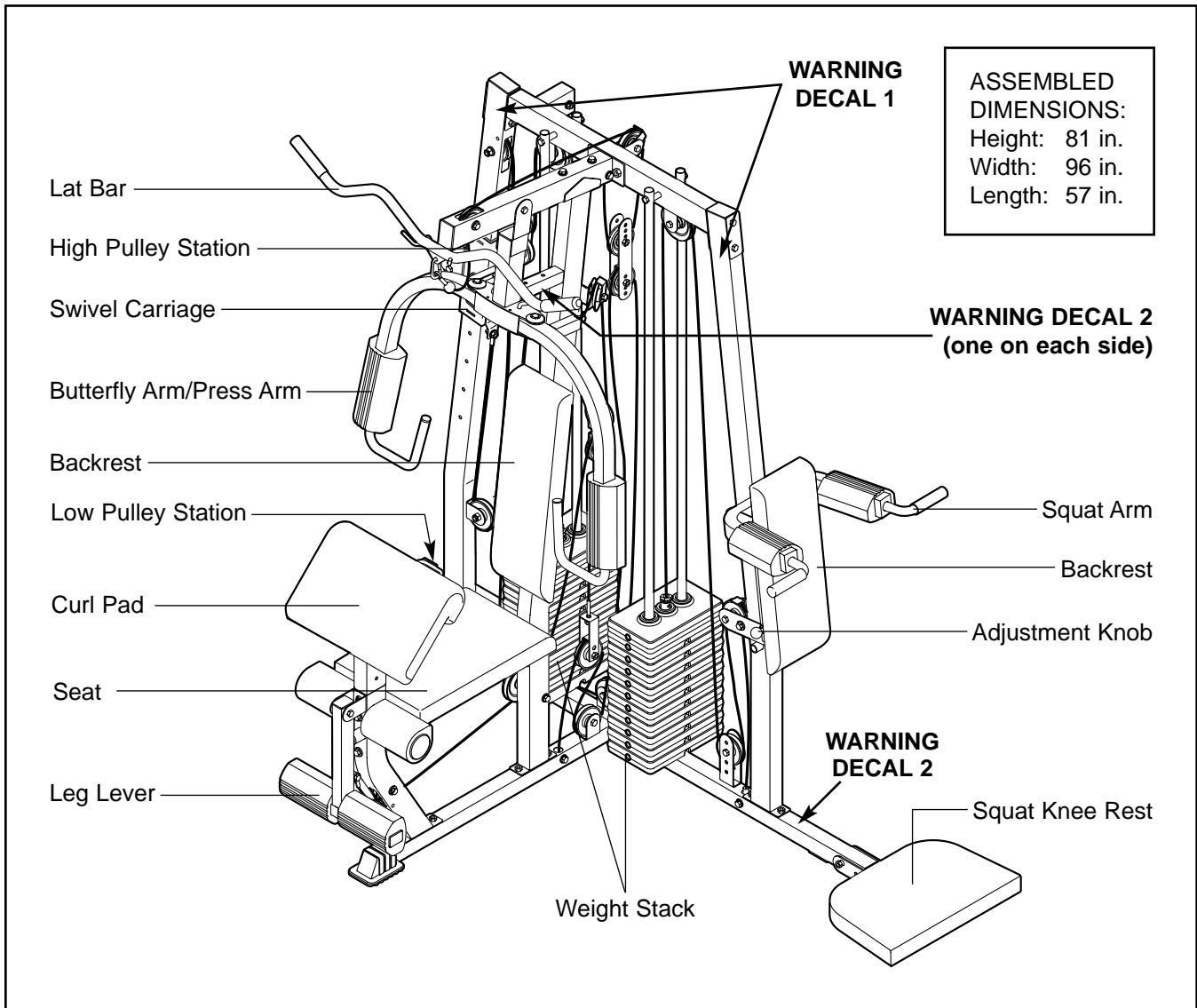
BEFORE YOU BEGIN

Thank you for selecting the versatile WEIDER® PRO 4850 weight system. The WEIDER® PRO 4850 weight system offers an impressive array of weight stations designed to develop every major muscle group of the body. Whether your goal is to tone your body, build dramatic muscle size and strength, or improve your cardiovascular system, the PRO 4850 weight system will help you to achieve the specific results you want.

For your benefit, read this manual carefully before using the weight system. If you have additional questions, please call our toll-free HELPLINE at

1-800-736-6879, Monday through Saturday, 7 a.m. until 7 p.m. Central Time (excluding holidays). To help us assist you, please note the product model number and serial number before calling. The model number is 831.153931. The serial number can be found on a decal attached to the weight system (see the front cover of this manual for the location of the decal).

Before reading further, please review the drawing below and familiarize yourself with the parts that are labeled.



ASSEMBLY

Make Assembly Easier

Everything in this manual is designed to ensure that the weight system can be assembled successfully by anyone.

Before beginning assembly, make sure to read the information on this page. This brief introduction will save you much more time than it takes to read it.

Assembly Requires Two Persons

For your convenience and safety, assemble the weight system with the help of another person.

Set Aside Enough Time

Due to the many features of the weight system, the assembly process will require several hours. By setting aside plenty of time and by deciding to make the task enjoyable, assembly will go smoothly.

Select a Location for the Weight System


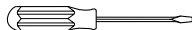
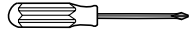

Because of its weight and size, the weight system should be assembled in the location where it will be used. Make sure that there is enough room to walk around the weight system as you assemble it.

How to Unpack the Box

To make assembly easier, we have divided the assembly process into four stages. The small hardware needed for each stage is packaged in separate bags. **Important: Wait until you begin each stage to open the parts bag(s) for that stage.**

Place all parts of the weight system in a cleared area and remove the packing materials. Do not dispose of the packing materials until assembly is completed.

Make sure that you have the following tools:

- Two adjustable wrenches 
- One standard screwdriver 
- One phillips screwdriver 
- One rubber mallet 
- You will also need grease or petroleum jelly, a small amount of soapy water, and masking tape.

Note: Assembly will be more convenient if you have a socket set, a set of open-end or closed-end wrenches, or a set of ratchet wrenches.

How to Identify Parts

To help you identify the small parts used in assembly, a PART IDENTIFICATION CHART is included in the center of this manual. Lay the chart on the floor and use it to easily identify parts during each assembly step. **Note: Some small parts may have been pre-attached. If a part is not in the parts bag, check to see if it has been pre-attached.**

How to Orient Parts

As you assemble the weight system, make sure that all parts are oriented exactly as shown in the drawings.

Tightening Parts

Tighten all parts as you assemble them, unless instructed to do otherwise.

Questions?

If you have questions after reading the assembly instructions, please call our Customer Service Department toll-free at **1-800-736-6879**, Monday through Friday, 6 a.m. until 6 p.m. Mountain Time.

The Four Stages of the Assembly Process

Frame Assembly—You will begin by assembling the base and the uprights that form the skeleton of the weight system.

Arm Assembly—During this stage, you will assemble the arms and the leg lever.

Cable Assembly—During this stage, you will attach the cables and pulleys that connect the weight stations to the weight stacks.

Seat Assembly—During the final stage, you will assemble the seat and the backrests.

FRAME ASSEMBLY

1. **Make sure that you understand all of the information on page 5 before you begin assembling the weight system.**

Locate and open the parts bags labeled "FRAME ASSEMBLY 1" and "FRAME ASSEMBLY 2."

Press a 2" Square Inner Cap (105) into the open end of the Long Base (120).

Insert eight 5/16" x 2 1/2" Carriage Bolts (110) up through the Long Base (120) and the Short Base (2) as shown. **Note: It may be helpful to place tape over the heads of the Carriage Bolts to hold them in place.**

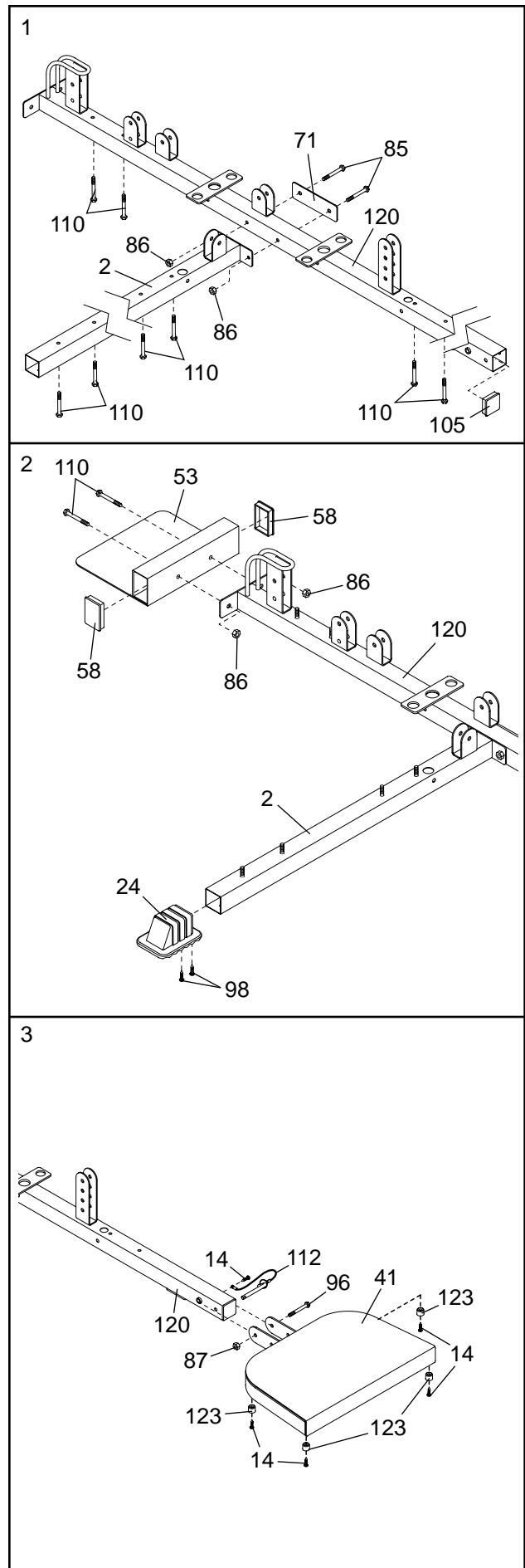
Attach the Short Base (2) to the Long Base (120) with two 5/16" x 2 3/4" Bolts (85), the Long Frame Plate (71), and two 5/16" Nylon Locknuts (86).

2. Attach the Outer Cap (24) to the Short Base (2) with two #8 x 3/4" Screws (98).

Press two 2" x 3" Inner Caps (58) into the Foot Plate (53). Attach the Foot Plate to the Long Base (120) with two 5/16" x 2 1/2" Carriage Bolts (110) and two 5/16" Nylon Locknuts (86).

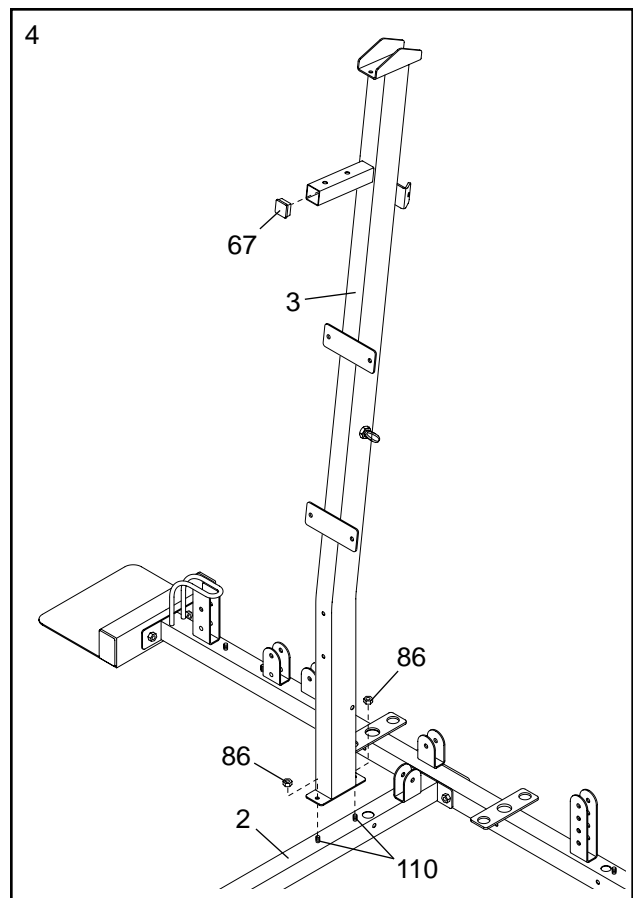
3. Attach the tether on the Pin (112) to the Long Base (120) with a #10 x 1" Screw (14).

Attach the four Knee Rest Bumpers (123) to the Squat Knee Rest (41) with four #10 x 1" Screws (14). Attach the Squat Knee Rest to the Long Base (120) with a 3/8" x 3 1/4" Bolt (96) and a 3/8" Nylon Locknut (87). **Do not overtighten the Nylon Locknut; the Squat Knee Rest must be able to pivot.**



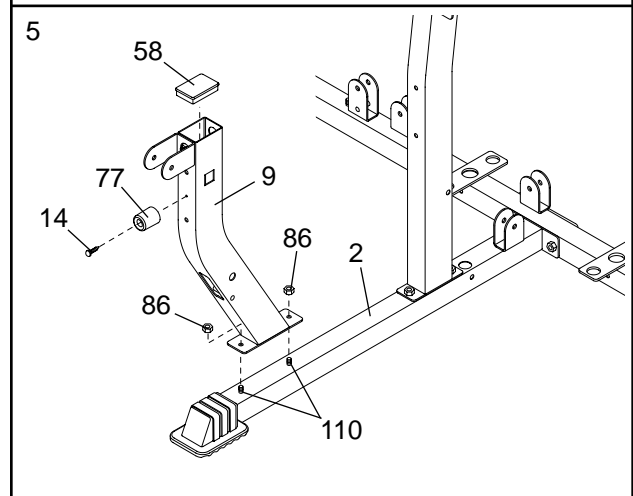
4. Press a 1 1/2" Square Inner Cap (67) into the square tube on the Butterfly Upright (3).

Slide the Butterfly Upright (3) onto the two indicated 5/16" x 2 1/2" Carriage Bolts (110) in the Short Base (2). Finger tighten a 5/16" Nylon Locknut (86) onto each Carriage Bolt. **Do not tighten the Nylon Locknuts yet.**



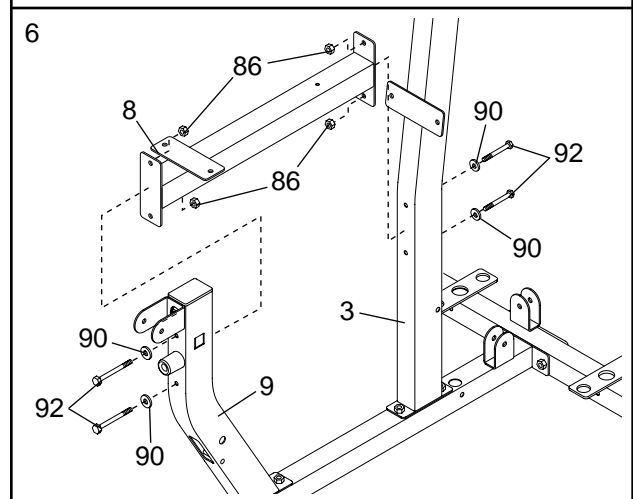
5. Press a 2" x 3" Inner Cap (58) into the top of the Seat Upright (9). Attach the Leg Lever Bumper (77) to the Seat Upright with a #10 x 1" Screw (14).

Slide the Seat Upright (9) onto the two indicated 5/16" x 2 1/2" Carriage Bolts (110) in the Short Base (2). Finger tighten a 5/16" Nylon Locknut (86) onto each Carriage Bolt. **Do not tighten the Nylon Locknuts yet.**



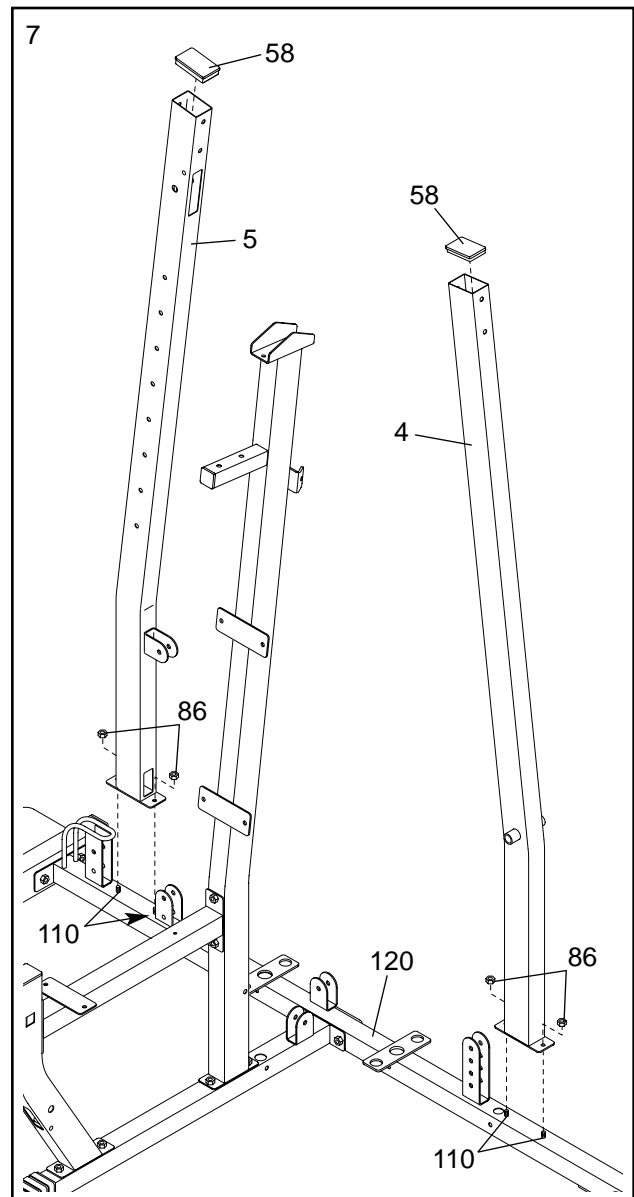
6. Hold the Seat Frame (8) between the Seat Upright (9) and the Butterfly Upright (3). Attach the Seat Frame to the Seat Upright with two 5/16" x 3 3/4" Bolts (92), two 5/16" Washers (90), and two 5/16" Nylon Locknuts (86). **Do not tighten the Nylon Locknuts yet.**

Attach the Seat Frame (8) to the Butterfly Upright (3) with two 5/16" x 3 3/4" Bolts (92), two 5/16" Washers (90), and two 5/16" Nylon Locknuts (86). **Do not tighten the Nylon Locknuts yet.**



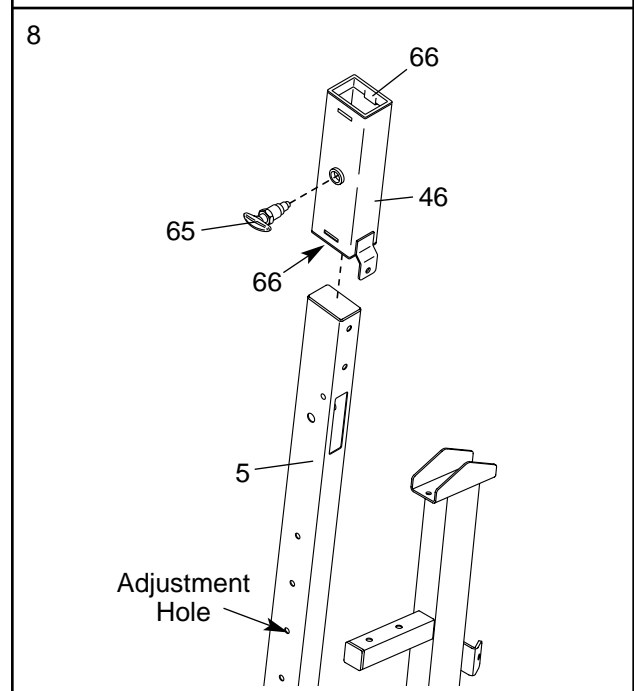
7. Press a 2" x 3" Inner Cap (58) into the top of the Squat Upright (4). Slide the Squat Upright onto the two indicated 5/16" x 2 1/2" Carriage Bolts (110) in the Long Base (120). Finger tighten a 5/16" Nylon Locknut (86) onto each Carriage Bolt. **Do not tighten the Nylon Locknuts yet.**

Press a 2" x 3" Inner Cap (58) into the top of the Swivel Upright (5). Slide the Swivel Upright onto the two indicated 5/16" x 2 1/2" Carriage Bolts (110) in the Long Base (120). Finger tighten a 5/16" Nylon Locknut (86) onto each Carriage Bolt. **Do not tighten the Nylon Locknuts yet.**



8. Press two Swivel Bushings (66) into the Swivel Carriage (46).

Tighten an Adjustment Handle (65) into the Swivel Carriage (46). Orient the Swivel Carriage as shown. Slide the Carriage onto the Swivel Upright (5) and engage the Adjustment Handle into an adjustment hole in the Swivel Upright.



- Attach a Roller (39) and two 5/16" Washers (90) between the indicated set of holes in the Squat Slider (38) with a 5/16" x 3 1/2" Bolt (94), two 5/16" Washers (90), and a 5/16" Nylon Locknut (86) as shown.

Assemble the other three Rollers (39) to the Squat Slider (38) in the same manner.

- Slide the Squat Slider (38) down onto the Squat Upright (4).

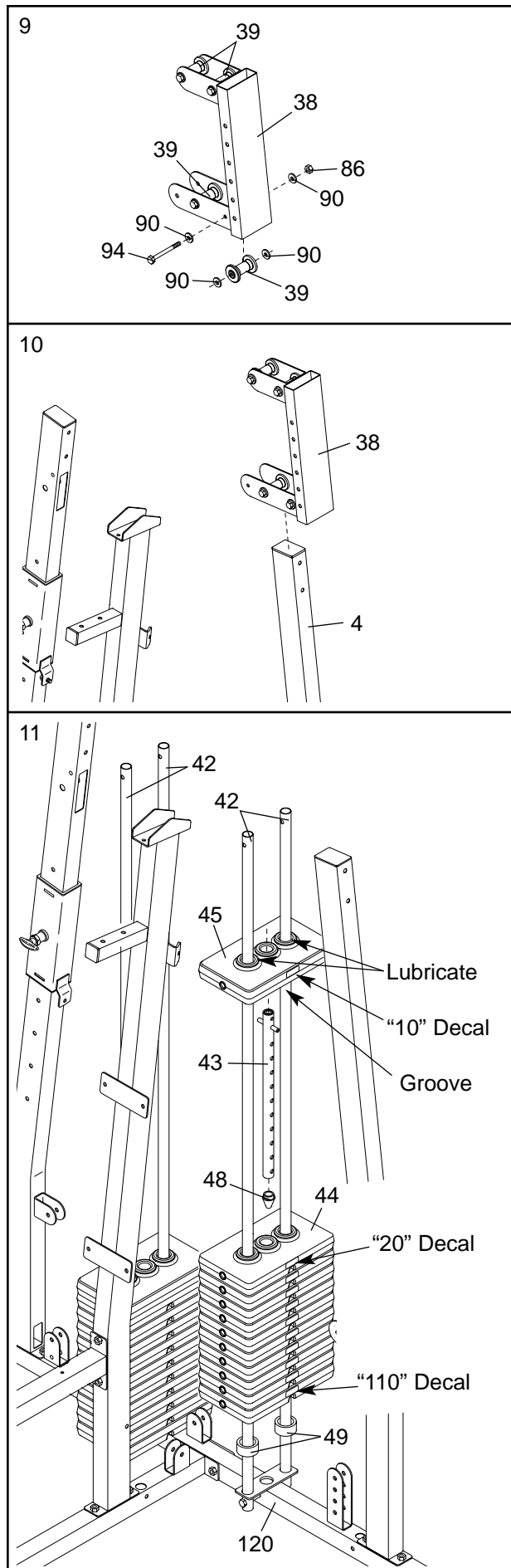
- Insert the ends of two Weight Guides (42) into the indicated bracket on the Long Base (120). Slide two Weight Bumpers (49) onto the Weight Guides. Next, slide ten Weights (44) onto the Weight Guides. **Make sure that the Weights are turned so the grooved sides of the Weights are facing downward.**

Press a Weight Tube Bumper (48) into the lower end of a Weight Tube (43). Insert the Weight Tube into the centers of the Weights (44). **Make sure that the Weight Tube is turned as shown.**

Lubricate the two outer holes in a Top Weight (45). Slide the Top Weight onto the Weight Guides (42). **Make sure that the Top Weight is turned so the grooved side is facing downward.**

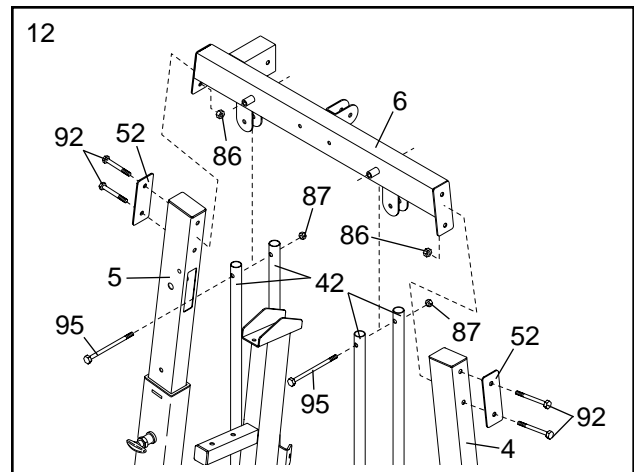
Apply a number "10" decal to the Top Weight (45) in the location shown. Apply decals with the numbers 20 through 110 to the ten Weights (44).

Assemble the other weight stack in the same way.



12. Attach the Top Frame (6) between the Squat Upright (4) and the Swivel Upright (5) with four 5/16" x 3 3/4" Bolts (92), the two Short Frame Plates (52), and two 5/16" Nylon Locknuts (86) as shown. **Do not tighten the Bolts and Locknuts yet.**

Attach the four Weight Guides (42) to the Top Frame (6) with two 3/8" x 6 1/2" Bolts (95) and two 3/8" Nylon Locknuts (87).

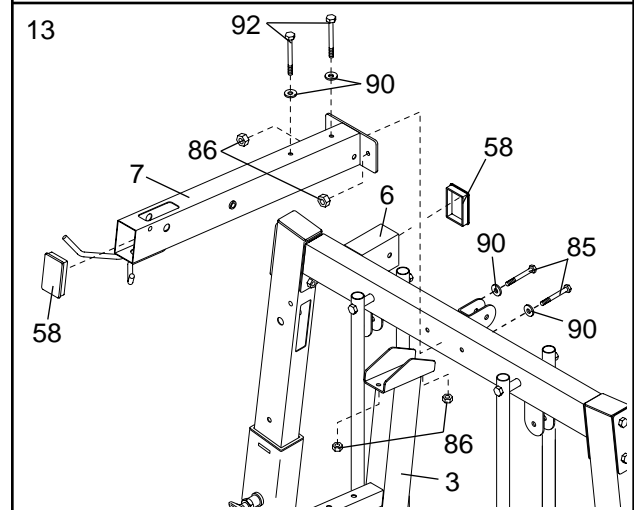


13. Press two 2" x 3" Inner Caps (58) into the Top Frame (6) and the Butterfly Top Frame (7).

Attach the Butterfly Top Frame (7) to the Top Frame (6) with two 5/16" x 2 3/4" Bolts (85), two 5/16" Washers (90), and two 5/16" Nylon Locknuts (86). **Do not tighten the Locknuts yet.**

Attach the Butterfly Top Frame (7) to the Butterfly Upright (3) with two 5/16" x 3 3/4" Bolts (92), two 5/16" Washers (90), and two 5/16" Nylon Locknuts (86).

Tighten all of the 5/16" Nylon Locknuts (86) and 3/8" Nylon Locknuts (87) used in steps 2–13.

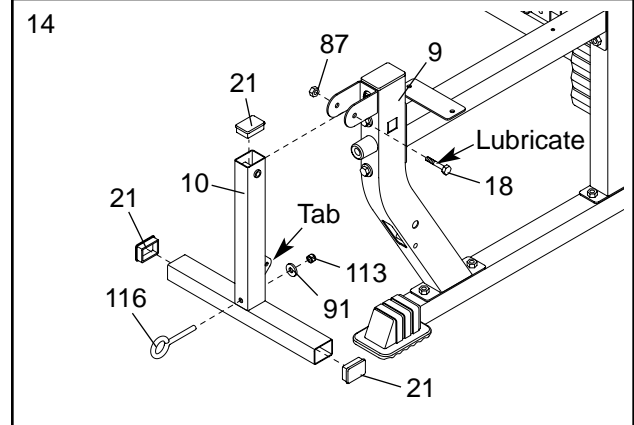


ARM ASSEMBLY

14. Open the parts bag labeled "ARM ASSEMBLY."

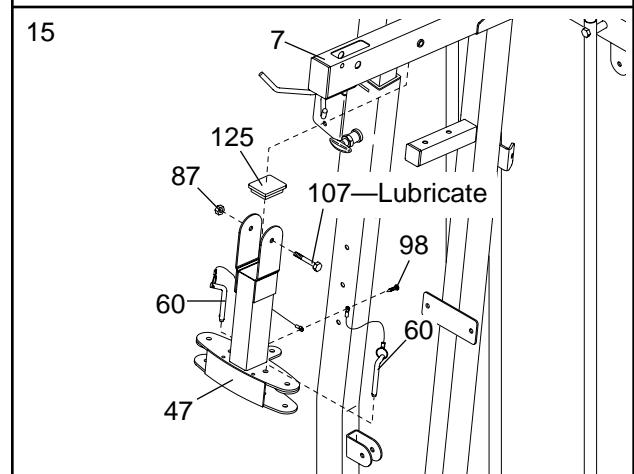
Press three 1 1/2" x 2" Inner Caps (21) into the Leg Lever (10). Attach the Eyebolt (116) to the Leg Lever with a 3/8" Washer (91) and a 3/8" Nylon Jamnut (113).

Lubricate a 3/8" x 2 1/2" Bolt (18) with grease. Turn the Leg Lever (10) so that the welded tab is on the indicated side, and attach the Leg Lever to the Seat Upright (9) with the Bolt and a 3/8" Nylon Locknut (87). **Do not overtighten the Nylon Locknut; the Leg Lever must be able to pivot easily.**



15. Press a 2" x 2 1/2" Inner Cap (125) into the Butterfly Frame (47). Attach the tethers on the two "L"-pins w/Tether (60) to the Butterfly Frame with a #8 x 3/4" Screw (98).

Lubricate a 3/8" x 3" Bolt (107) with grease. Attach the Butterfly Frame (47) to the Butterfly Top Frame (7) with the Bolt and a 3/8" Nylon Locknut (87). **Do not overtighten the Nylon Locknut; the Butterfly Frame must be able to pivot easily.**



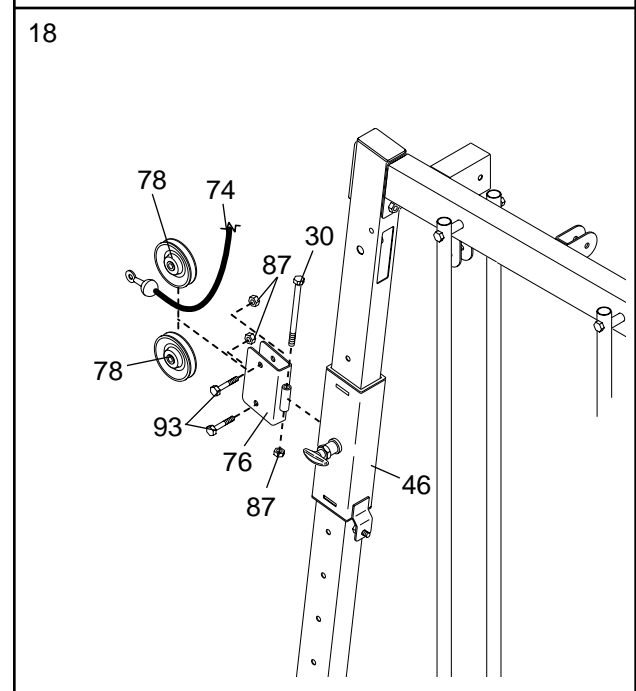
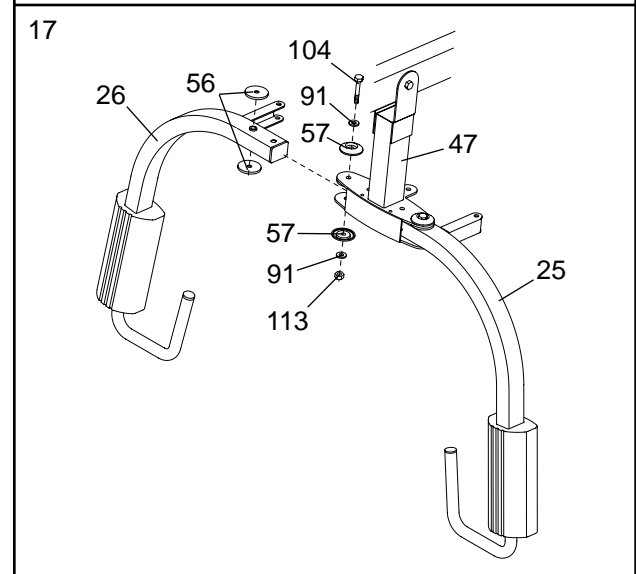
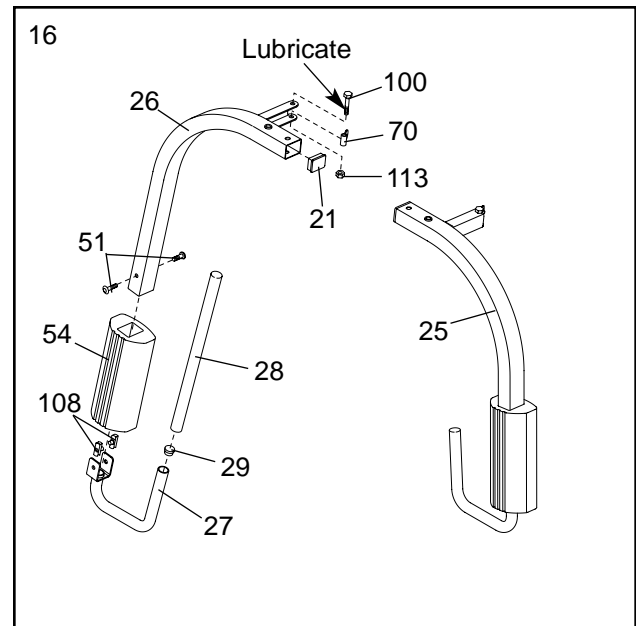
16. Press a 1 1/2" x 2" Inner Cap (21) into the Right Butterfly Arm (26). Wet the lower end of the Arm with soapy water. Slide a Long Pad (54) onto the Arm.

Slide two Nut Clips (108) onto a Press Handle (27). Attach the Press Handle to the Right Butterfly Arm (26) with two 5/16" x 3/4" Button Head Screws (51). Slide the Long Pad (54) down so that the bottom is flush with the lower end of the Arm. Press a 1" Round Inner Cap (29) into the Press Handle. Wet the Press Handle with soapy water. Slide a Long Handgrip (28) onto the Press Handle.

Lubricate a 3/8" x 2" Bolt (100) with grease. Attach a Pivot Bracket (70) to the Right Butterfly Arm (26) with the Bolt and a 3/8" Nylon Jamnut (113). **Do not overtighten the Nylon Jamnut; the Pivot Bracket must be able to pivot easily. Repeat this step with the Left Butterfly Arm (25).**

17. Lubricate a 3/8" x 3" Button Head Bolt (104) and both sides of two Plastic Washers (56) with grease. Attach the Right Butterfly Arm (26) to the Butterfly Frame (47) with the Bolt, the two Plastic Washers, two Butterfly Caps (57), two 3/8" Washers (91), and a 3/8" Nylon Jamnut (113) as shown. **Make sure that the recessed sides of the Plastic Washers are fitted over the welded bushing in the Butterfly Arm. Do not overtighten the Nylon Jamnut; the Butterfly Arm must be able to pivot easily.**

Repeat this step with the Left Butterfly Arm (25).



CABLE ASSEMBLY

18. **IMPORTANT: Refer to the Cable Identification Chart on page 26 for help identifying the cables. Do not overtighten the bolts and nuts attaching the pulleys. The pulleys must be able to turn freely.**

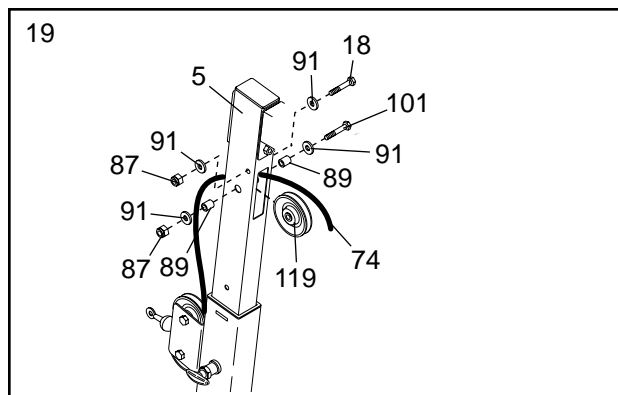
Locate and open the parts bags labeled "CABLE ASSEMBLY" and "PULLEYS."

Lubricate the 3/8" x 7" Bolt (30) with grease. Attach the Swivel Cage (76) to the Swivel Carriage (46) with the Bolt and a 3/8" Nylon Locknut (87).

Locate the Swivel High Cable (74), which is 126 1/2" long and has a ball on one end and a threaded bolt on the other end. Wrap the Cable around a 3 1/2" Pulley (78). Attach two Pulleys to the Swivel Cage (76) with two 3/8" x 1 3/4" Bolts (93) and two 3/8" Nylon Locknuts (87).

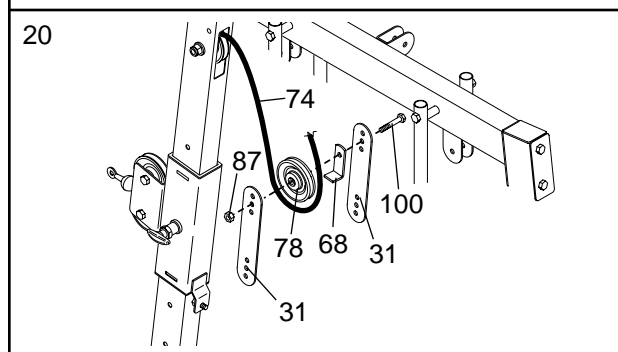
19. Route the Swivel High Cable (74) through the Swivel Upright (5) and over a 4 1/2" Pulley (119). Attach the Pulley inside the Upright with a 3/8" x 2 3/4" Bolt (101), two 3/8" Washers (91), two 1/2" Spacers (89), and a 3/8" Nylon Locknut (87).

Attach a 3/8" x 2 1/2" Bolt (18), two 3/8" Washers (91), and a 3/8" Nylon Locknut (87) to the Swivel Upright (5).

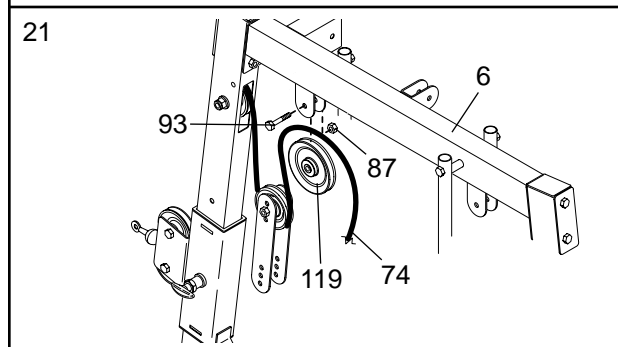


20. Remove the preattached 3 1/2" Pulleys (78) from the Small Pulley Plates (31).

Wrap the Swivel High Cable (74) over a 3 1/2" Pulley (78). Attach the Pulley and a Cable Trap (68) to the second set of holes from the top of the Small Pulley Plates (31) with a 3/8" x 2" Bolt (100) and a 3/8" Nylon Locknut (87). **Make sure the Cable Trap is turned to hold the Cable in the groove of the Pulley.**

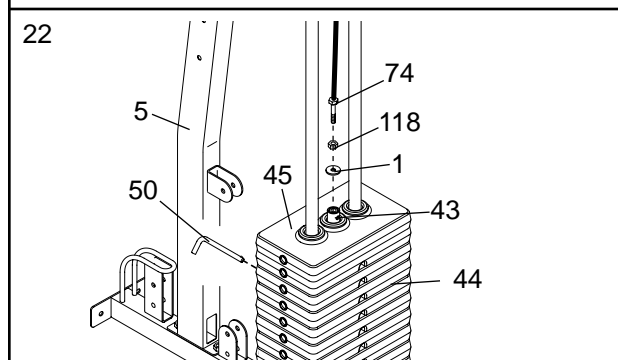


21. Wrap the Swivel High Cable (74) over a 4 1/2" Pulley (119). Attach the Pulley inside of the indicated bracket on the Top Frame (6) with 3/8" x 1 3/4" Bolt (93) and a 3/8" Nylon Locknut (87).

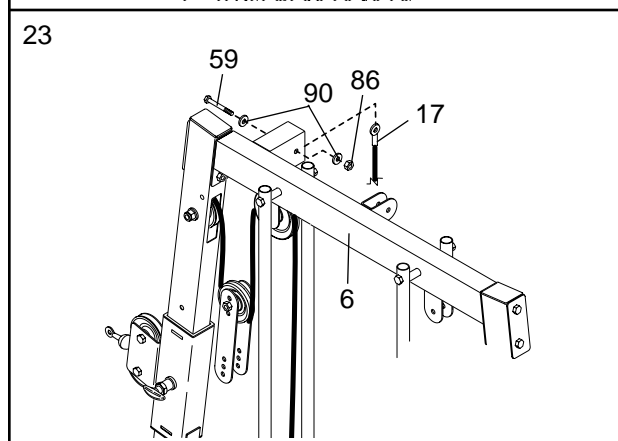


22. Lift the Weight Tube (43) and the Top Weight (45) closest to the Swivel Upright (5). Make sure that the small pin on the Weight Tube is inside of the groove under the Top Weight.

Insert a Weight Pin (50) into the stack of Weights (44). Place a 1/2" Washer (1) on top of the Weight Tube (43). Tighten a 1/2" Nut (118) halfway onto the end of the Swivel High Cable (74). Screw the end of the Cable two full turns into the Weight Tube. Then, tighten the Nut against the 1/2" Washer.

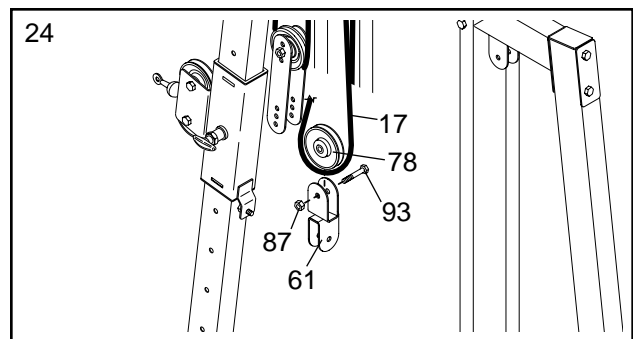


23. **Locate the Swivel Cable (17), which is 115 3/8" long and has an eyelet on each end.** Attach the Cable inside the Top Frame (6) with a 5/16" x 2 1/2" Bolt (59), two 5/16" Washers (90), and a 5/16" Nylon Locknut (86).

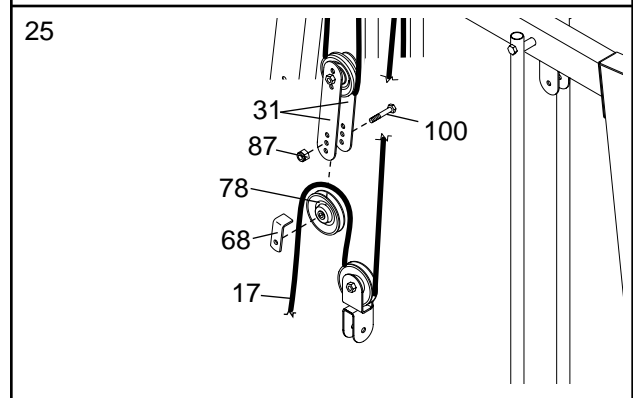


24. Remove the preattached 3 1/2" Pulleys (78) from the Offset Double "U"-bracket (61).

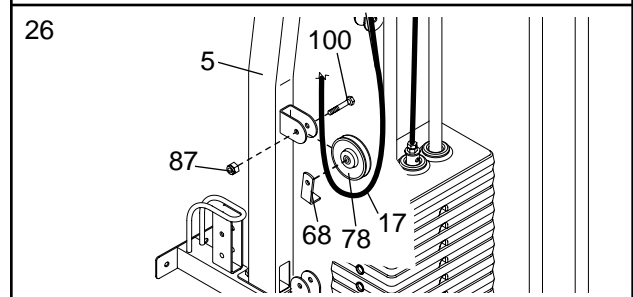
Wrap the Swivel Cable (17) around a 3 1/2" Pulley (78). Attach the Pulley to the Offset Double "U"-bracket (61) with a 3/8" x 1 3/4" Bolt (93) and a 3/8" Nylon Locknut (87).



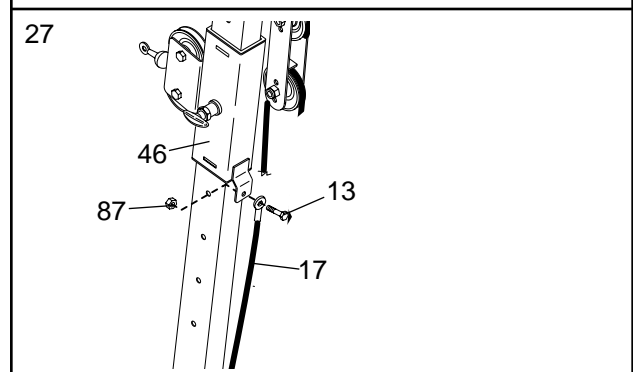
25. Wrap the Swivel Cable (17) around a 3 1/2" Pulley (78). Attach the Pulley and a Cable Trap (68) to the next to bottom hole in the Small Pulley Plates (31) with a 3/8" x 2" Bolt (100) and a 3/8" Nylon Locknut (87). **Make sure the Cable Trap is turned to hold the Cable in the groove of the Pulley.**



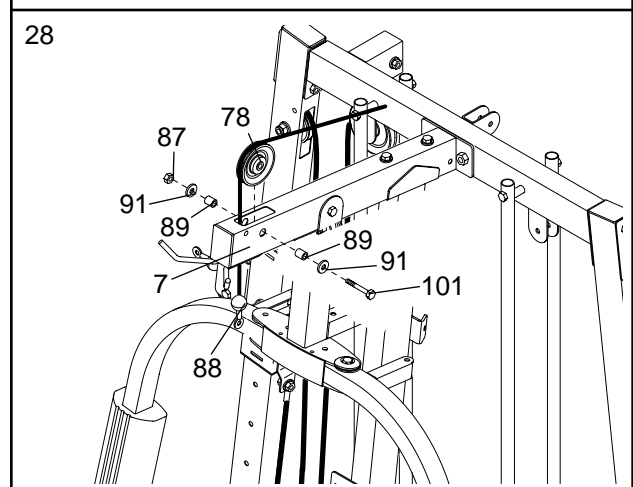
26. Wrap the Swivel Cable (17) around a 3 1/2" Pulley (78). Attach the Pulley and a Cable Trap (68) to the bracket on the Swivel Upright (5) with a 3/8" x 2" Bolt (100) and a 3/8" Nylon Locknut (87). **Make sure the Cable Trap is turned to hold the Cable in the groove of the Pulley.**



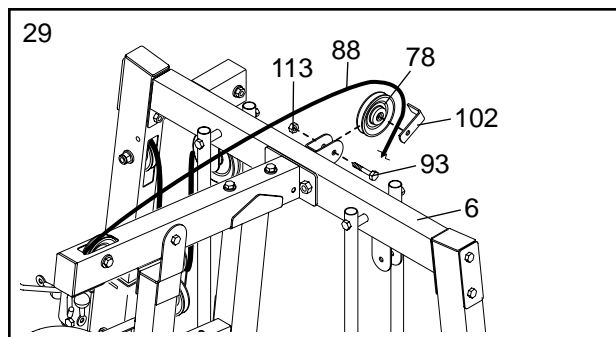
27. Attach the end of the Swivel Cable (17) to the bracket on the Swivel Carriage (46) with a 3/8" x 1" Bolt (13) and a 3/8" Nylon Locknut (87).



28. **Locate the Lat Cable (88), which is 89 1/4" long and has a ball on one end and an eyelet on the other.** Route the eyelet end of the Cable up through the Butterfly Top Frame (7) and around a 3 1/2" Pulley (78). Attach the Pulley inside of the Butterfly Top Frame with a 3/8" x 2 3/4" Bolt (101), two 3/8" Washers (91), two 1/2" Spacers (89), and a 3/8" Nylon Locknut (87).

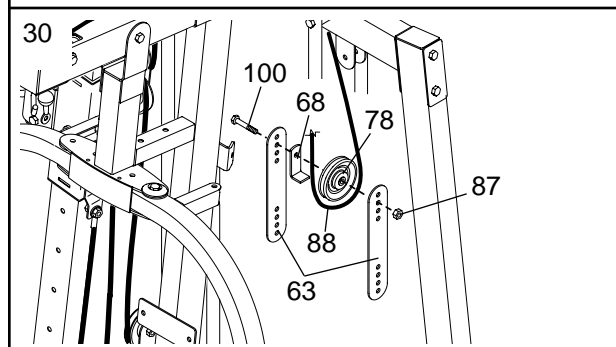


29. Wrap the Lat Cable (88) around a 3 1/2" Pulley (78). Attach the Pulley and a Long Cable Trap (102) to the Top Frame (6) with a 3/8" x 1 3/4" Bolt (93) and a 3/8" Nylon Jamnut (113). **Make sure the Cable Trap is turned to hold the Cable in the groove of the Pulley.**

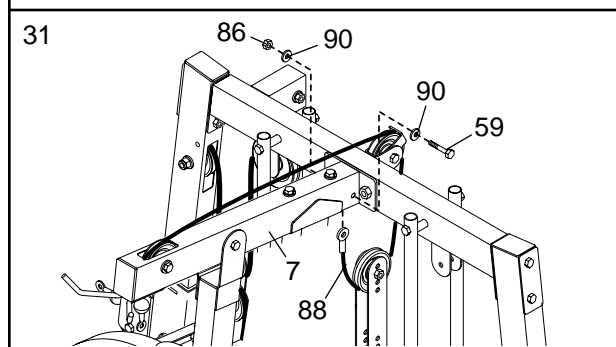


30. **Remove the preattached 3 1/2" Pulleys (78) from the Pulley Plates (63).**

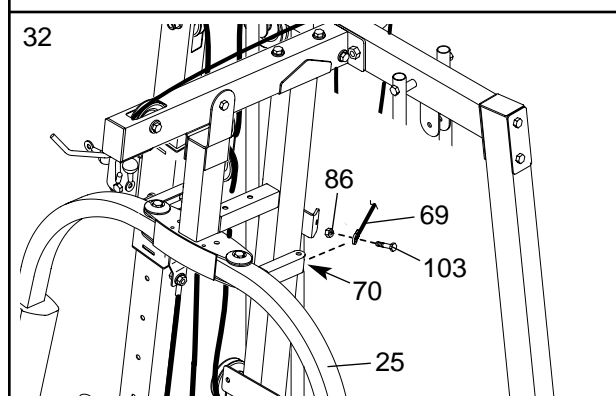
Wrap the Lat Cable (88) around a 3 1/2" Pulley (78). Attach the Pulley and a Cable Trap (68) to the second set of holes from the top of the Pulley Plates (63) with a 3/8" x 2" Bolt (100) and a 3/8" Nylon Locknut (87). **Make sure the Cable Trap is turned to hold the Cable in the groove of the Pulley.**



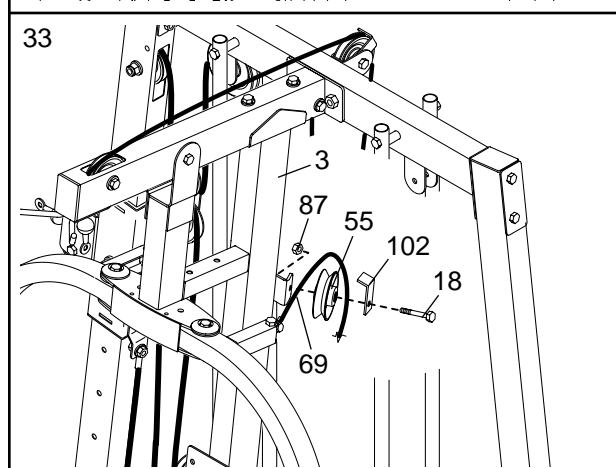
31. Attach the end of the Lat Cable (88) inside of the Butterfly Top Frame (7) with a 5/16" x 2 1/2" Bolt (59), two 5/16" Washers (90), and a 5/16" Nylon Locknut (86).



32. **Locate the Butterfly Cable (69), which is the shortest Cable.** Attach the Cable to the Pivot Bracket (70) on the Left Butterfly Arm (25) with a 5/16" x 1" Shoulder Bolt (103) and a 5/16" Nylon Locknut (86).

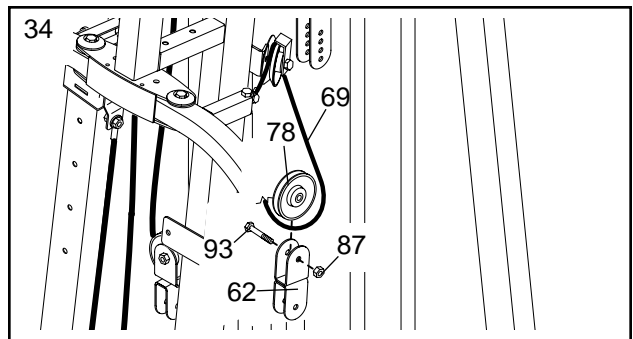


33. Wrap the Butterfly Cable (69) over a "V"-pulley (55). Attach the Pulley and a Long Cable Trap (102) to the indicated bracket on the Butterfly Upright (3) with a 3/8" x 2 1/2" Bolt (18) and a 3/8" Nylon Locknut (87). **Make sure that the Long Cable Trap is turned to hold the Cable in the groove of the Pulley.**

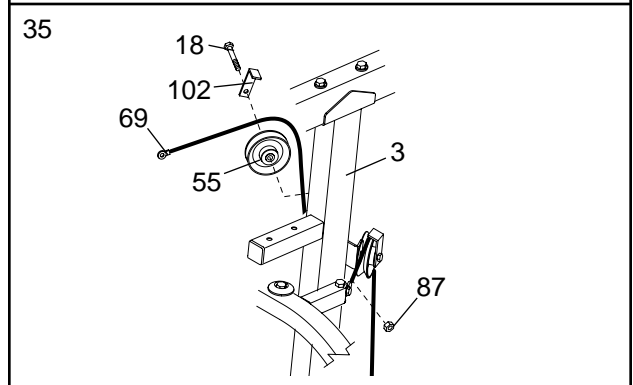


34. Remove the preattached 3 1/2" Pulleys (78) from the Double "U"-bracket (62).

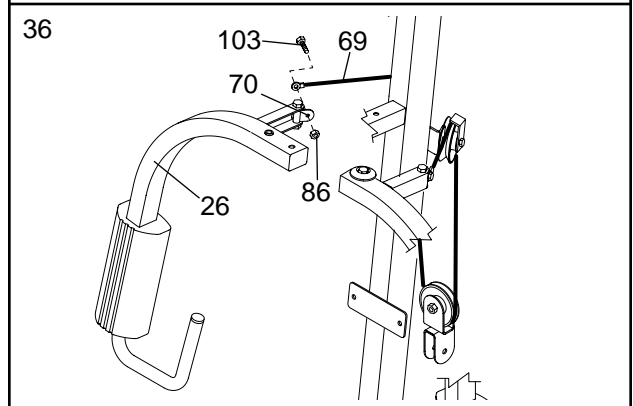
Wrap the Butterfly Cable (69) under a 3 1/2" Pulley (78). Attach the Pulley to the Double "U"-bracket (62) with a 3/8" x 1 3/4" Bolt (93) and a 3/8" Nylon Locknut (87).



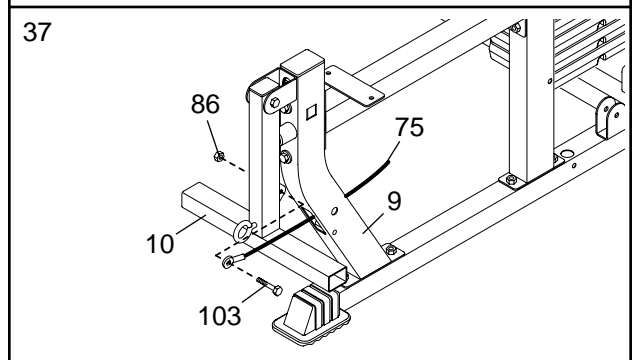
35. Wrap the Butterfly Cable (69) over a "V"-pulley (55). Attach the Pulley and a Long Cable Trap (102) to the other bracket on the Butterfly Upright (3) with a 3/8" x 2 1/2" Bolt (18) and a 3/8" Nylon Locknut (87). **Make sure that the Long Cable Trap is turned to hold the Cable in the groove of the Pulley.**



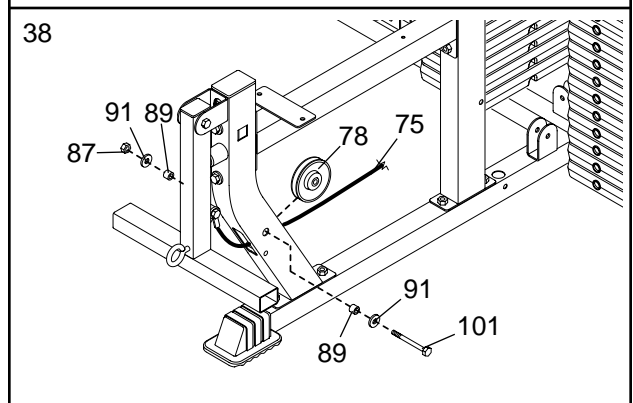
36. Attach the Butterfly Cable (69) to the Pivot Bracket (70) on the Right Butterfly Arm (26) with a 5/16" x 1" Shoulder Bolt (103) and a 5/16" Nylon Locknut (86).



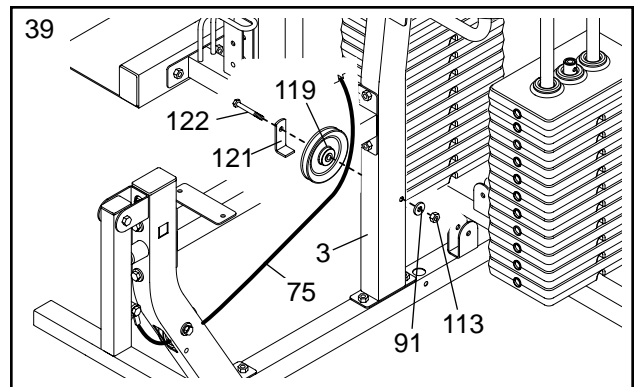
37. **Locate the Leg Lever Cable (75), which is 98 1/2" long and has an eyelet on one end and a threaded pin on the other end.** Route the eyelet end of the Cable through the Seat Upright (9) and attach it to the tab on the Leg Lever (10) with a 5/16" x 1" Shoulder Bolt (103) and a 5/16" Nylon Locknut (86).



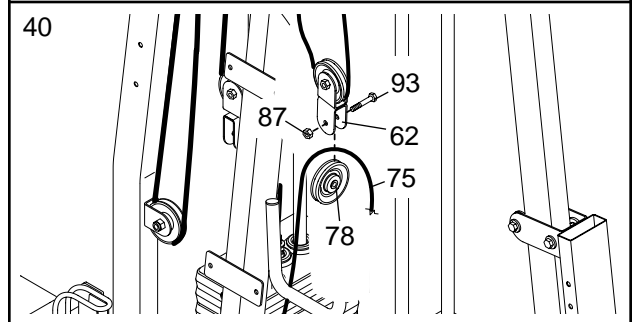
38. Attach a 3 1/2" Pulley (78) inside of the Seat Upright (9) with a 3/8" x 2 3/4" Bolt (101), two 3/8" Washers (91), two 1/2" Spacers (89), and a 3/8" Nylon Locknut (87), as shown.



39. Route the Leg Lever Cable (75) under a 4 1/2" Pulley (119). Attach the Pulley and a Large Cable Trap (121) to the indicated side of the Butterfly Upright (3) with a 3/8" x 3 3/4" Bolt (122), a 3/8" Washer (91), and a 3/8" Nylon Jamnut (113). **Make sure that the Large Cable Trap is turned to hold the Cable in the groove of the Pulley.**

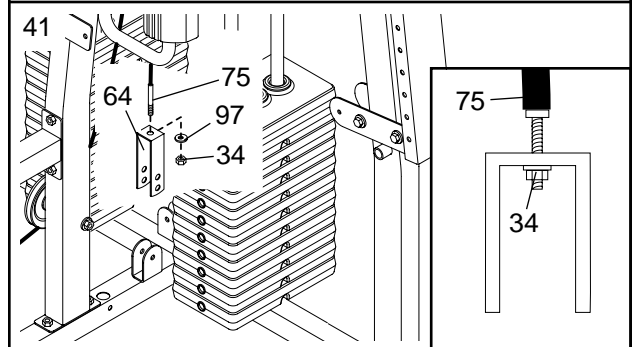


40. Wrap the Leg Lever Cable (75) over a 3 1/2" Pulley (78). Attach the Pulley to the Double "U"-bracket (62) with a 3/8" x 1 3/4" Bolt (93) and a 3/8" Nylon Locknut (87).



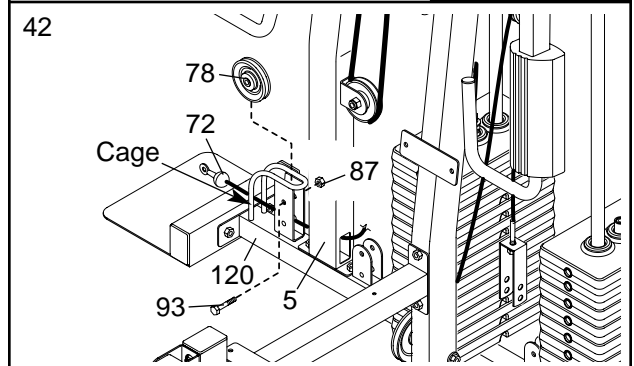
41. **Remove the preattached 3 1/2" Pulley (not shown) from the "U"-bracket (64).**

Attach the end of the Leg Lever Cable (75) to the "U"-bracket (64) with a 1/4" Washer (97) and a 1/4" Nylon Locknut (34). **Note: Do not completely tighten the Locknut; it should be threaded onto the end of the Cable so that two threads show past the Locknut (see inset drawing).**

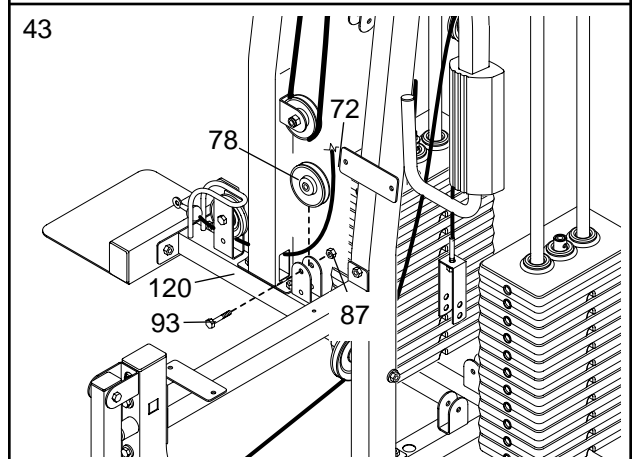


42. **Locate the Swivel Low Cable (72), which is the only remaining cable that has an eyelet on one end and a ball on the other end.** Route the eyelet end of the Cable through the cage on the Long Base (120) and through the Swivel Upright (5) as shown.

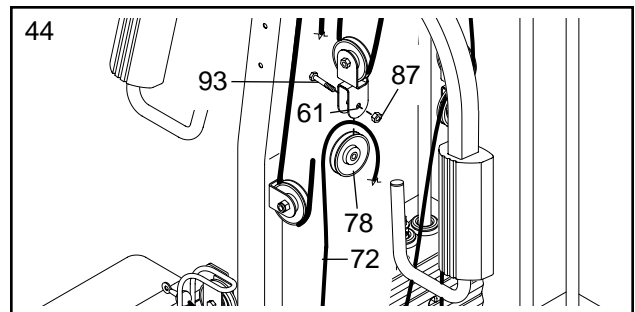
Attach a 3 1/2" Pulley (78) to the indicated bracket on the Long Base (120) with 3/8" x 1 3/4" Bolt (93) and a 3/8" Nylon Locknut (87).



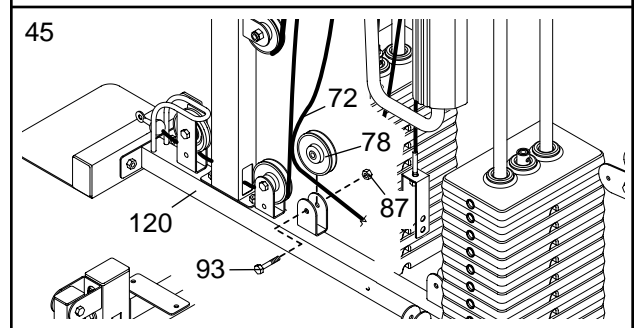
43. Wrap the Swivel Low Cable (72) under a 3 1/2" Pulley (78). Attach the Pulley to the indicated bracket on the Long Base (120) with a 3/8" x 1 3/4" Bolt (93) and a 3/8" Nylon Locknut (87).



44. Wrap the Swivel Low Cable (72) over a 3 1/2" Pulley (78). Attach the Pulley to the Offset Double "U"-bracket (61) with a 3/8" x 1 3/4" Bolt (93) and a 3/8" Nylon Locknut (87).

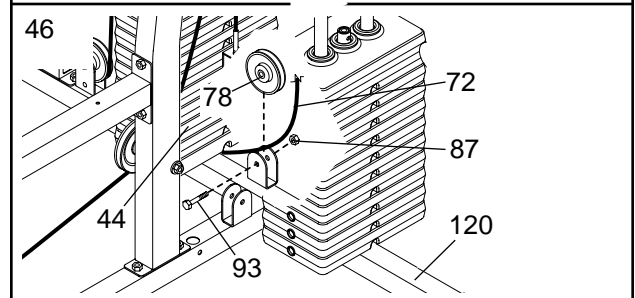


45. Wrap the Swivel Low Cable (72) under a 3 1/2" Pulley (78). Attach the Pulley to the indicated bracket on the Long Base (120) with a 3/8" x 1 3/4" Bolt (93) and a 3/8" Nylon Locknut (87).

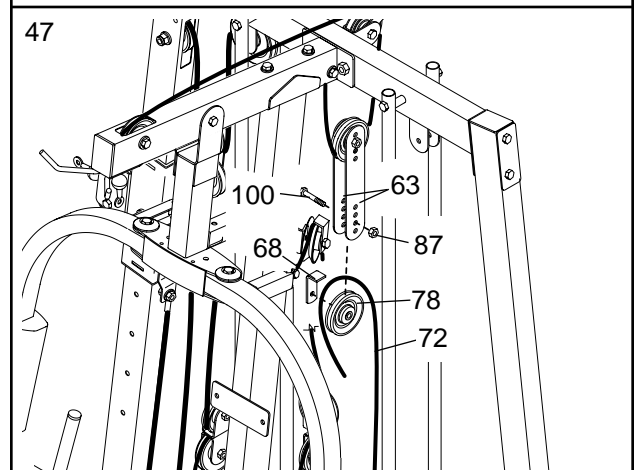


46. Route the Swivel Low Cable (72) under the indicated stack of Weights (44).

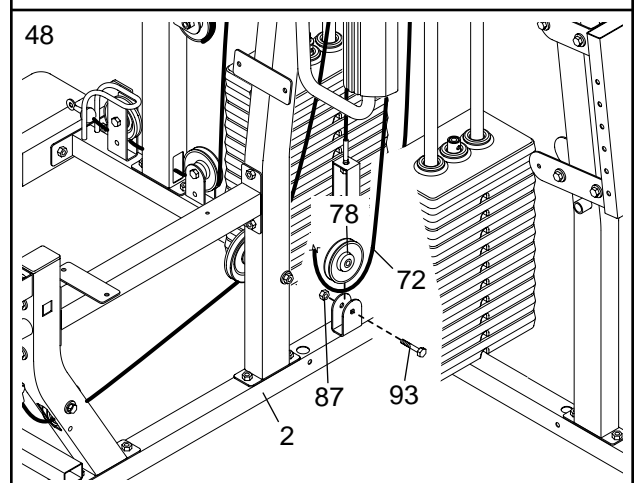
Wrap the Swivel Low Cable (72) under a 3 1/2" Pulley (78). Attach the Pulley to the indicated bracket on the Long Base (120) with a 3/8" x 1 3/4" Bolt (93) and a 3/8" Nylon Locknut (87).



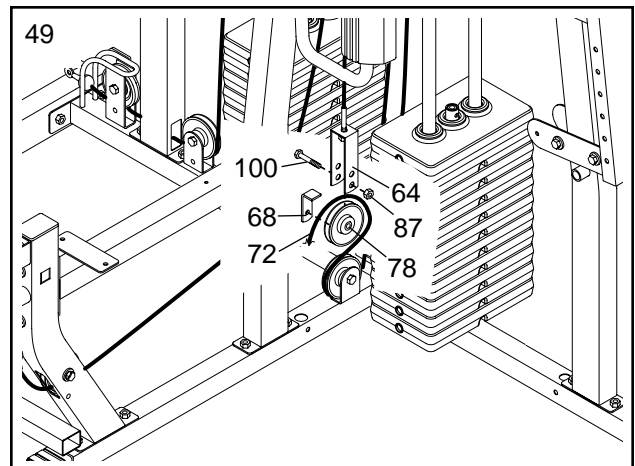
47. Wrap the Swivel Low Cable (72) over a 3 1/2" Pulley (78). Attach the Pulley and a Cable Trap (68) between the indicated holes in the Pulley Plates (63) with a 3/8" x 2" Bolt (100) and a 3/8" Nylon Locknut (87). **Make sure that the Cable Trap is turned to hold the Cable in the groove of the Pulley.**



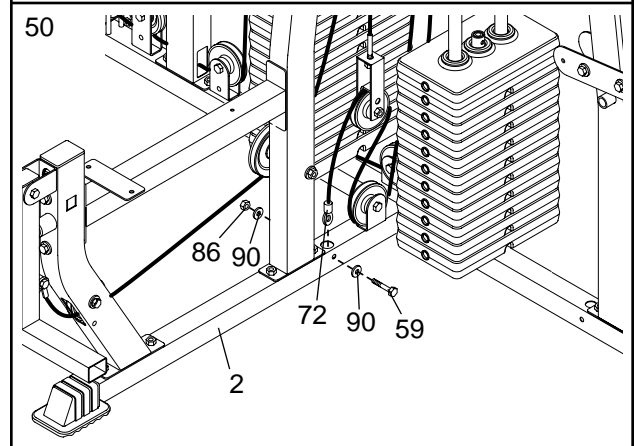
48. Wrap the Swivel Low Cable (72) under a 3 1/2" Pulley (78). Attach the Pulley to the indicated bracket on the Short Base (2) with a 3/8" x 1 3/4" Bolt (93) and a 3/8" Nylon Locknut (87).



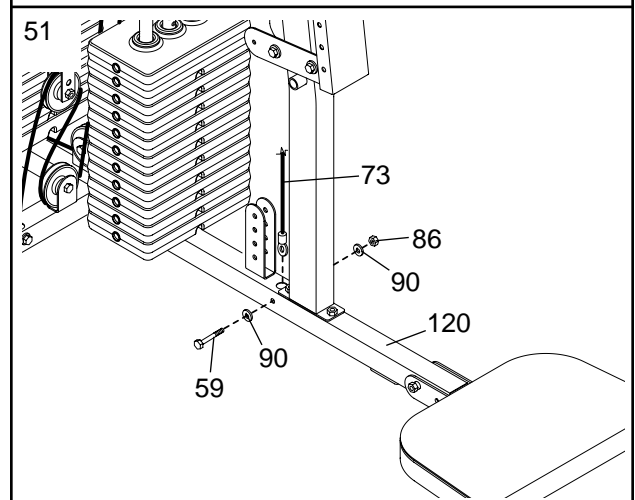
49. Wrap the Swivel Low Cable (72) over a 3 1/2" Pulley (78). Attach the Pulley and a Cable Trap (68) between the lower set of holes in the "U"-bracket (64) with a 3/8" x 2" Bolt (100) and a 3/8" Nylon Locknut (87). **Make sure that the Cable Trap is turned to hold the Cable in the groove of the Pulley.**



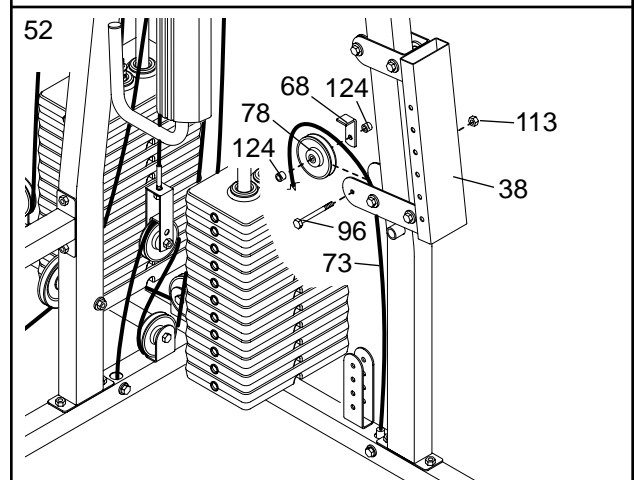
50. Attach the end of the Swivel Low Cable (72) inside of the Short Base (2) with a 5/16" x 2 1/2" Bolt (59), two 5/16" Washers (90), and a 5/16" Nylon Locknut (86).



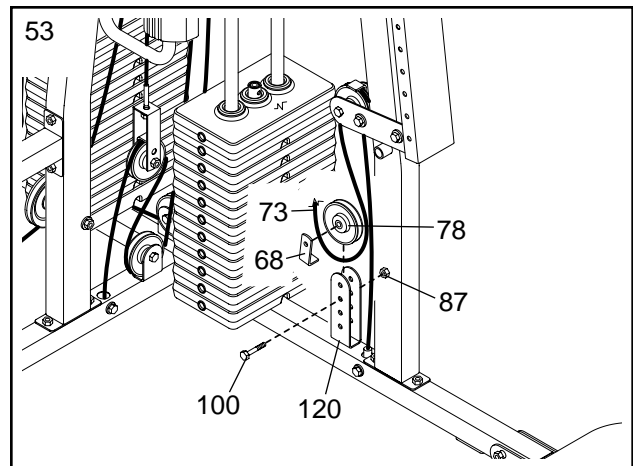
51. **Locate the Squat Cable (73), which is the only remaining cable.** Attach the eyelet end of the Cable inside of the Long Base (120) with a 5/16" x 2 1/2" Bolt (59), two 5/16" Washers (90), and a 5/16" Nylon Locknut (86).



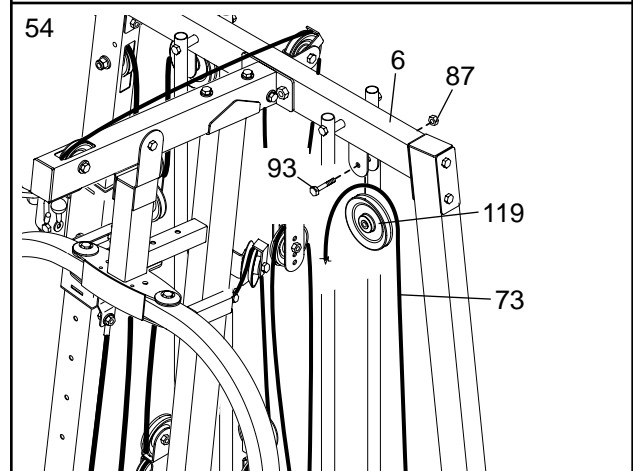
52. Wrap the Squat Cable (73) over a 3 1/2" Pulley (78). Attach the Pulley, a Cable Trap (68), and two 3/4" Spacers (124) between the indicated brackets on the Squat Slider (38) with a 3/8" x 3 1/4" Bolt (96) and a 3/8" Nylon Jamnut (113). **Make sure that the Cable Trap is turned to hold the Cable in the groove of the Pulley.**



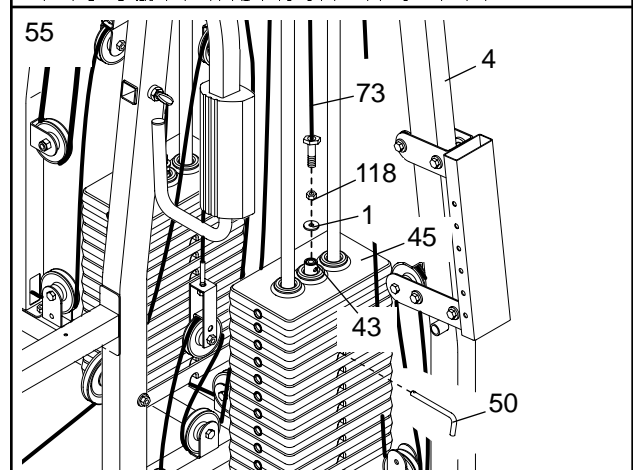
53. Wrap the Squat Cable (73) under a 3 1/2" Pulley (78). Attach the Pulley and a Cable Trap to the second set of holes from the top in the indicated bracket on the Long Base (120) with a 3/8" x 2" Bolt (100) and a 3/8" Nylon Locknut (87). **Make sure that the Cable Trap is turned to hold the Cable in the groove of the Pulley.**



54. Wrap the Squat Cable (73) over a 4 1/2" Pulley (119). Attach the Pulley to the indicated bracket on the Top Frame (6) with a 3/8" x 1 3/4" Bolt (93) and a 3/8" Nylon Locknut (87).



55. Place a 1/2" Washer (1) on top of the Weight Tube (43) closest to the Squat Upright (4). Tighten a 1/2" Nut (118) halfway onto the end of the Squat Cable (73).



Lift the Weight Tube (43) and the Top Weight (45) and make sure that the small pin on the Weight Tube is inside of the groove under the Top Weight.

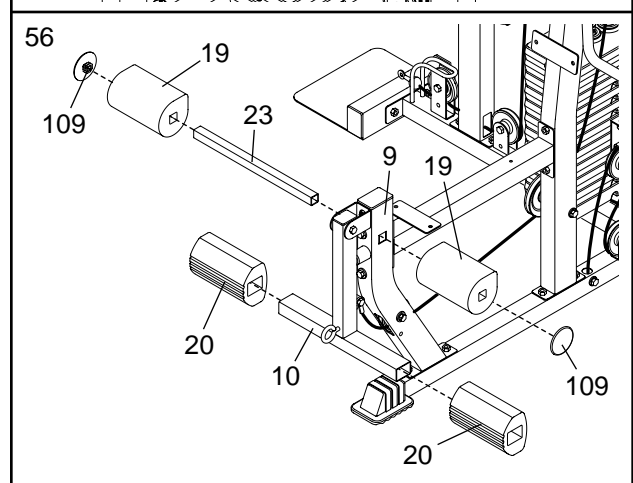
Hold the Weight Tube (43) and the Top Weight (45) a few inches over the weight stack and insert the Weight Pin (50). Screw the end of the Cable (73) two full turns into the Weight Tube. Then, tighten the Nut against the 1/2" Washer (1). Remove the Weight Pin and set the Top Weight back on the weight stack. Replace the Pin.

SEAT ASSEMBLY

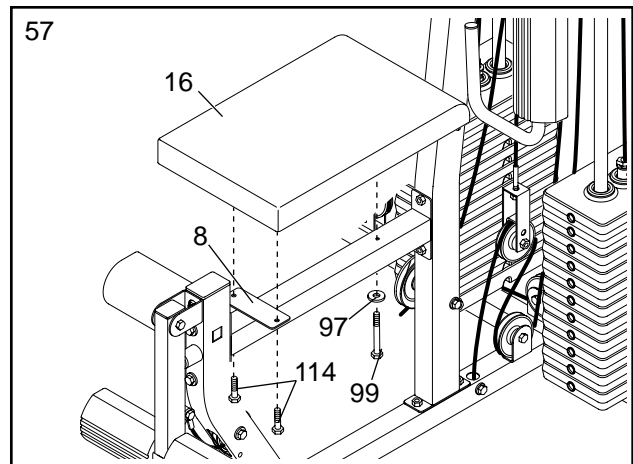
56. **Locate and open the parts bag labeled "SEAT ASSEMBLY."**

Insert the Pad Tube (23) into the square hole in the Seat Upright (9). Slide the two Knee Pads (19) onto the Pad Tube as shown. Press the two Knee Pad Caps (109) into the ends of the Pad Tube.

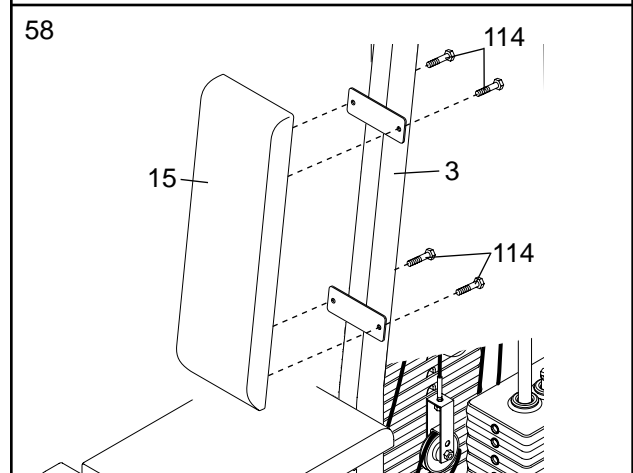
Slide two Short Pads (20) onto the Leg Lever (10).



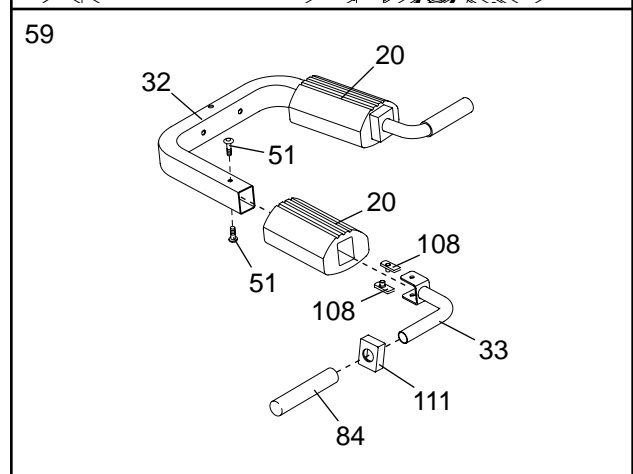
57. Attach the Seat (16) to the Seat Frame (8) with two 1/4" x 3/4" Screws (114), a 1/4" x 2 1/2" Screw (99), and a 1/4" Washer (97).



58. Attach the Butterfly Backrest (15) to the Butterfly Upright (3) with four 1/4" x 3/4" Screws (114).



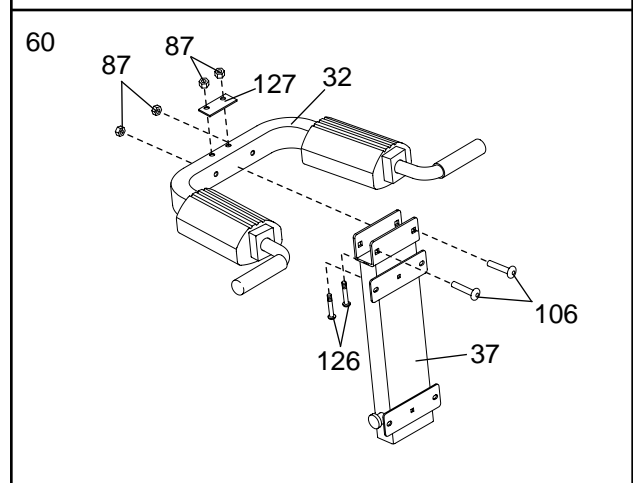
59. Wet one end of the Squat Arm (32) with soapy water. Slide a Short Pad (20) onto the Squat Arm as shown.



Slide two Nut Clips (108) onto a Squat Handle (33). Attach the Squat Handle to the Squat Arm (32) with two 5/16" x 3/4" Button Head Screws (51). Slide an Inner Cap w/Hole (111) onto the Squat Handle and press it onto the end of the Squat Arm. Wet the Squat Handle with soapy water. Slide an 8" Handgrip (84) onto the Squat Handle.

Repeat this step with the other end of the Squat Arm (32).

60. Attach the Squat Arm (32) to the Squat Bracket (37) with two 3/8" x 2 1/2" Carriage Bolts (106) and two 3/8" Nylon Locknuts (87). **Do not tighten the Nylon Locknuts yet.**

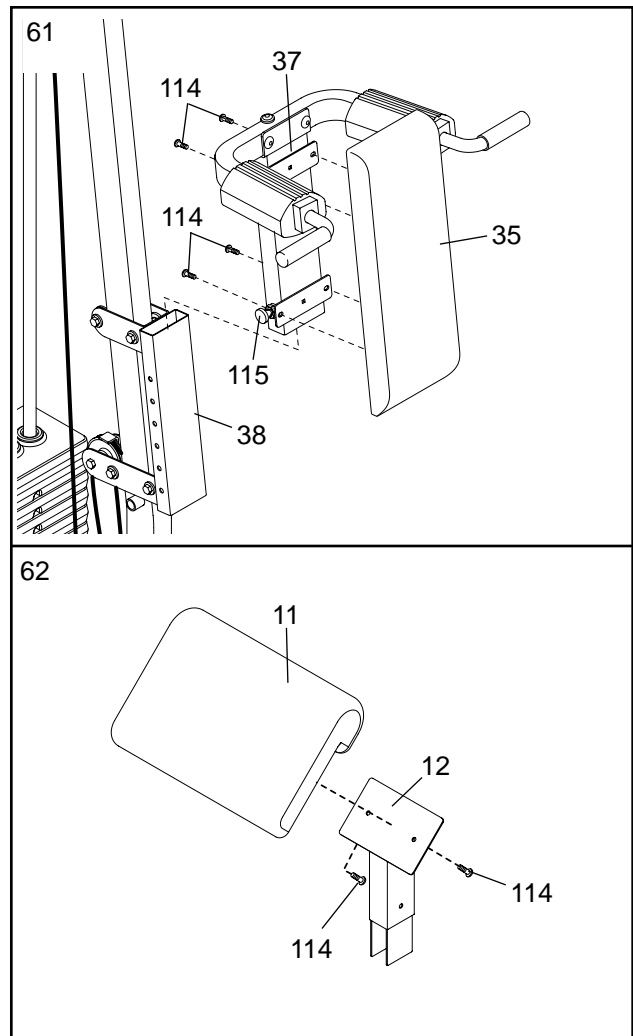


Finish attaching the Squat Arm (32) to the Squat Bracket (37) with two 3/8" x 3" Carriage Bolts (126), a Small Support Plate (127), and two 3/8" Nylon Locknuts (87).

Tighten all of the 3/8" Nylon Locknuts (87) used in this step.

61. Turn the Squat Backrest (35) so that the four screw holes are closer to the bottom of the Squat Backrest than the top. Attach the Squat Backrest to the Squat Bracket (37) with four 1/4" x 3/4" Screws (114).

Turn the Adjustment Knob (115) counterclockwise several times to loosen it. Next, pull the Knob and slide the Squat Bracket (37) down onto the Squat Slider (38). Engage the Knob into one of the holes in the Squat Slider, and then turn the Knob clockwise until it is tight.



62. Attach the Curl Pad (11) to the Curl Post (12) with two 1/4" x 3/4" Screws (114).

63. Make sure that all parts have been properly tightened. The use of the remaining parts will be explained in ADJUSTMENTS, beginning on page 22 of this manual.

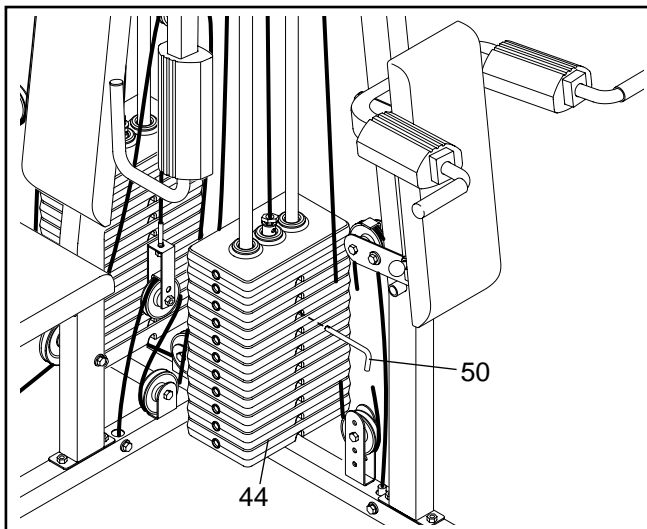
Before using the weight system, pull each cable a few times to make sure that the cables move smoothly over the pulleys. If one of the cables does not move smoothly, find and correct the problem. **IMPORTANT: If the cables are not properly installed, they may be damaged when heavy weight is used. See the CABLE DIAGRAMS on page 26 and 27 of this manual for proper cable routing. If there is any slack in the cables, you will need to remove the slack by tightening the cables. See TROUBLESHOOTING on page 25.**

ADJUSTMENTS

The instructions below describe how each part of the weight system can be adjusted. Refer to the exercise guide accompanying this manual to see how the weight system should be set up for various exercises. **IMPORTANT: When attaching the lat bar, row bar, or handle, make sure that the attachments are in the correct starting position for the exercise to be performed. If there is any slack in the cables or chain as an exercise is performed, the effectiveness of the exercise will be reduced.**

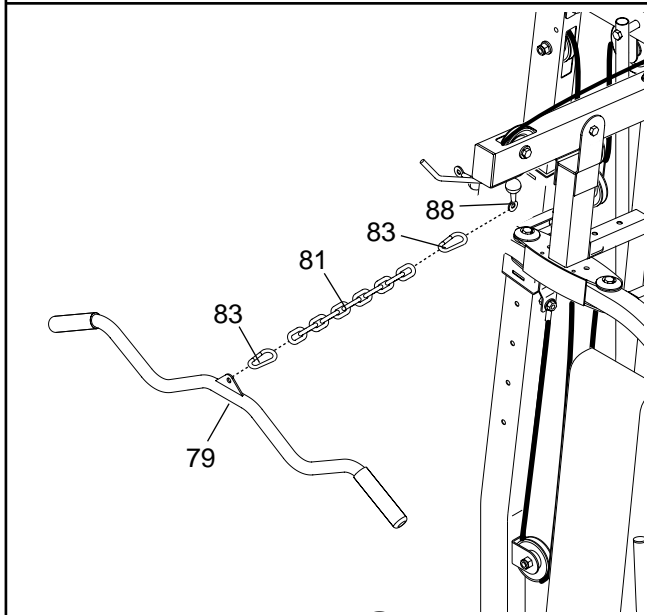
CHANGING THE WEIGHT SETTING

To change the weight setting of either weight stack, insert a Weight Pin (50) under the desired Weight (44) until the bent end of the Weight Pin is touching the Weights. Turn the bent end downward. The weight setting of each weight stack can be changed from 10 pounds to 110 pounds, in 10-pound increments. **Note: Due to the cables and pulleys, the amount of resistance at each exercise station may vary from the weight setting. Use the WEIGHT RESISTANCE CHART on page 24 to find the approximate amount of resistance at each weight station.**



ATTACHING THE ACCESSORIES TO THE HIGH PULLEY STATION OR THE LOW PULLEY STATION

Attach the Lat Bar (79) to the Lat Cable (88) with a Cable Clip (83). For some exercises, the Chain (81) should be attached between the Lat Bar and the Lat Cable with two Cable Clips. **Adjust the length of the Chain between the Lat Bar and the Lat Cable so the Lat Bar is in the correct starting position for the exercise to be performed.**



The Lat Bar (79) can be attached to the Swivel Low Cable (not shown) in the same way.

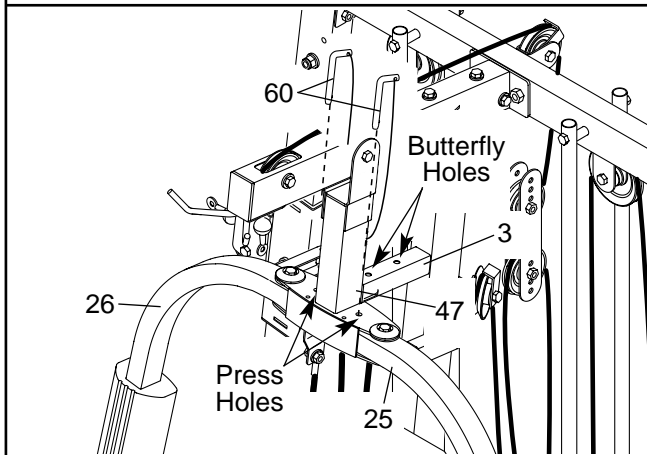
The Row Bar (not shown), the Handle (not shown), or Ab Strap (not shown) can be attached to the Lat Cable (88) or the Swivel Low Cable (not shown) in the same way.

CONVERTING THE BUTTERFLY ARMS

To use the Butterfly Arms (25, 26) as butterfly arms, insert the "L"-pins w/Tethers (60) into the butterfly holes in the Butterfly Upright (3).

To use the Butterfly Arms (25, 26) as press arms, insert the "L"-pins w/Tethers (60) into the press holes in the Butterfly Frame (47).

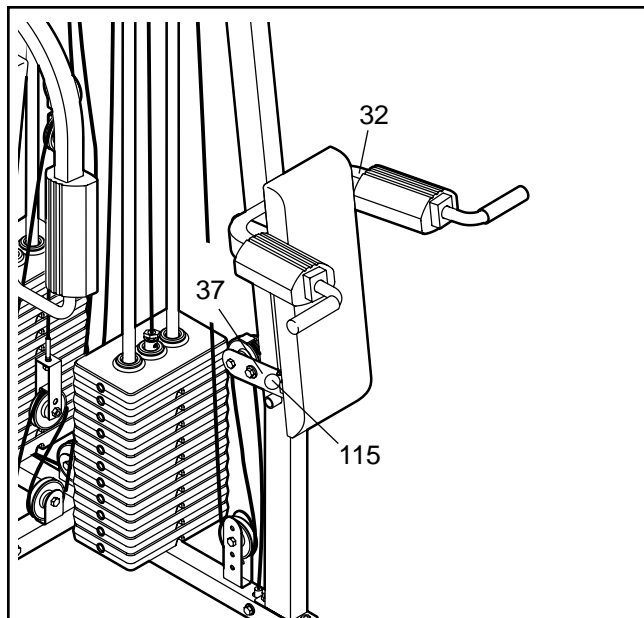
Make sure that both "L"-pins w/Tethers (60) are fully inserted into the same set of holes before performing any exercise.



ADJUSTING THE SQUAT ARM OR SWIVEL CARRIAGE

To adjust the height of the Squat Arm (32), first turn the Adjustment Knob (115) on the Squat Bracket (37) counterclockwise several turns to loosen it. Next, pull the Handle and slide the Squat Bracket up or down to the desired position. Engage the Handle into one of the holes in the Squat Slider (not shown), and then turn the Handle clockwise until it is tight.

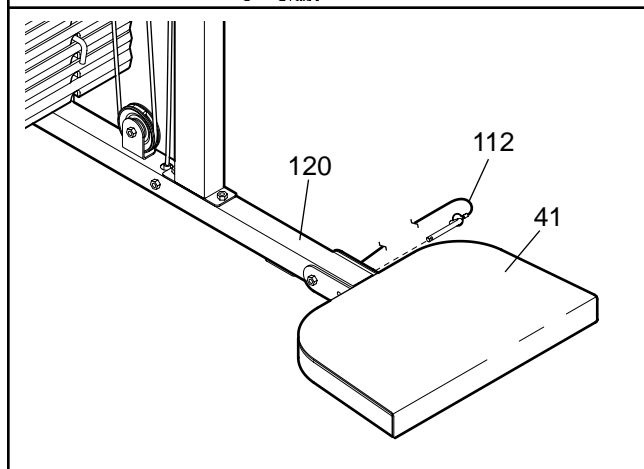
The height of the Swivel Carriage (not shown) can be adjusted in the same way using the Adjustment Handle (not shown).



ADJUSTING THE SQUAT KNEE REST

To use the Squat Knee Rest (41), pivot it down to the position shown and insert the Pin w/Tether (112) into the holes in the Squat Knee Rest and the Long Base (120).

When the Squat Knee Rest (41) is not in use, pivot it up to a vertical position and then insert the Pin w/Tether (112) into the hole in the Long Base (120).



WEIGHT RESISTANCE CHART

The chart below shows the approximate weight resistance at each weight station. "Top" refers to the 10-pound top weight. The other numbers refer to the 10-pound weight plates. The butterfly arm resistance listed is the resistance for each butterfly arm. **Note: The actual resistance at each weight station may vary due to differences in individual weight plates as well as friction between the cables, pulleys, and weight guides.**

WEIGHT	HIGH PULLEY (lbs.)	LOW PULLEY (lbs.)	LEG LEVER (lbs.)	BUTTERFLY ARM (lbs.)	PRESS ARM (lbs.)	SQUAT STATION (lbs.)	SWIVEL STATION (lbs.)
Top	14	14	22	17	24	59	16
1	25	25	35	26	39	87	26
2	38	36	53	36	55	116	39
3	48	44	67	45	70	136	52
4	61	60	91	54	89	170	59
5	68	70	111	63	104	192	74
6	80	80	122	71	118	203	84
7	96	91	148	80	136	223	90
8	101	104	160	91	154	239	104
9	112	111	184	100	167	254	116
10	122	122	190	108	187	270	122

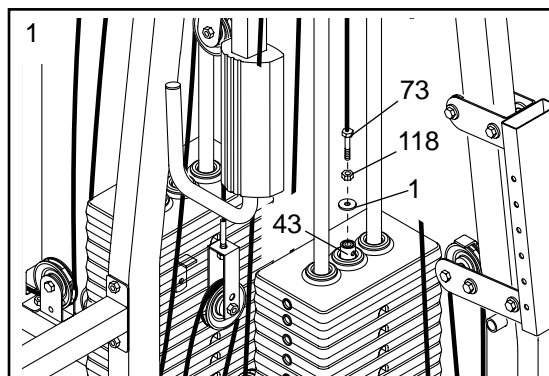
TROUBLESHOOTING

Make sure all parts are properly tightened each time the weight system is used. Replace any worn parts immediately. The weight system can be cleaned using a damp cloth and mild non-abrasive detergent. Do not use solvents.

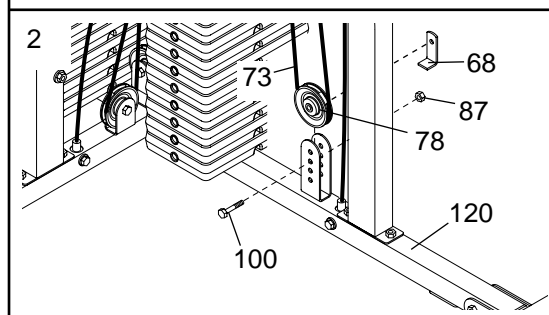
TIGHTENING THE CABLES

Woven cable, the type of cable used on the weight system, can stretch slightly when it is first used. If there is slack in the cables before resistance is felt, the cables should be tightened. To tighten the cables, first insert the weight pins into the centers of the weight stacks. Slack can be removed from the cables in several ways:

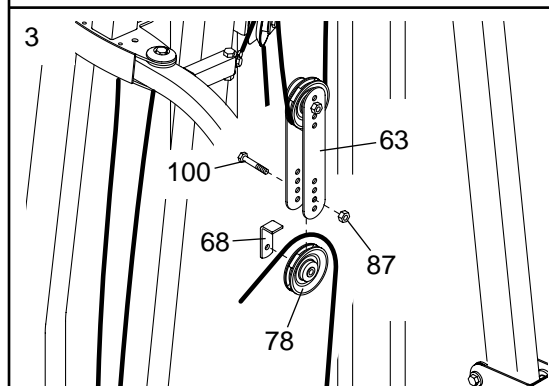
See drawing 1. To tighten the Squat Cable (73) or the Swivel High Cable (not shown), first loosen the 1/2" Nut (118) on the end of the Cable, away from the 1/2" Washer (1). Screw the end of the Cable farther into the Weight Tube (43). Then, retighten the Nut against the Washer.



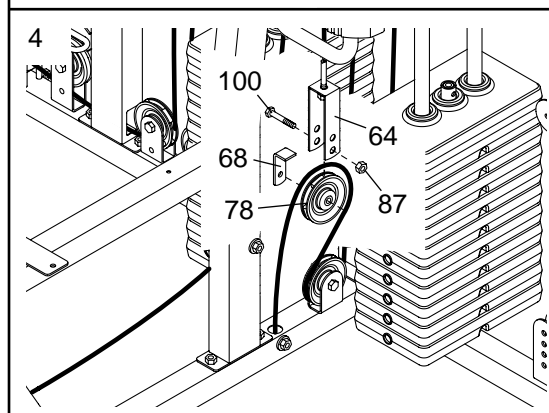
See drawing 2. To further tighten the Squat Cable (73), first remove the 3/8" Nylon Locknut (87), the 3/8" x 2" Bolt (100), Cable Trap (68), and 3 1/2" Pulley (78) from the indicated bracket on the Long Base (120). Reattach the Pulley and Cable Trap between a lower set of holes with the Bolt and Nylon Locknut.



See drawing 3. To tighten the other five cables, first remove the upper or lower 3/8" Nylon Locknut (87), 3/8" x 2" Bolt (100), 3 1/2" Pulley (78), and Cable Trap (68) from the Pulley Plates (63) or Small Pulley Plates (not shown). Reattach the Pulley and the Cable Trap between a set of holes closer to the center of the Pulley Plates with the Bolt and Locknut.



See drawing 4. To remove additional slack, first remove the 3/8" Nylon Locknut (87), 3/8" x 2" Bolt (100), 3 1/2" Pulley (78), and Cable Trap (68) from the "U"-bracket (64). Reattach the Pulley and the Cable Trap between the higher set of holes in the "U"-bracket with the Bolt and Nylon Locknut.



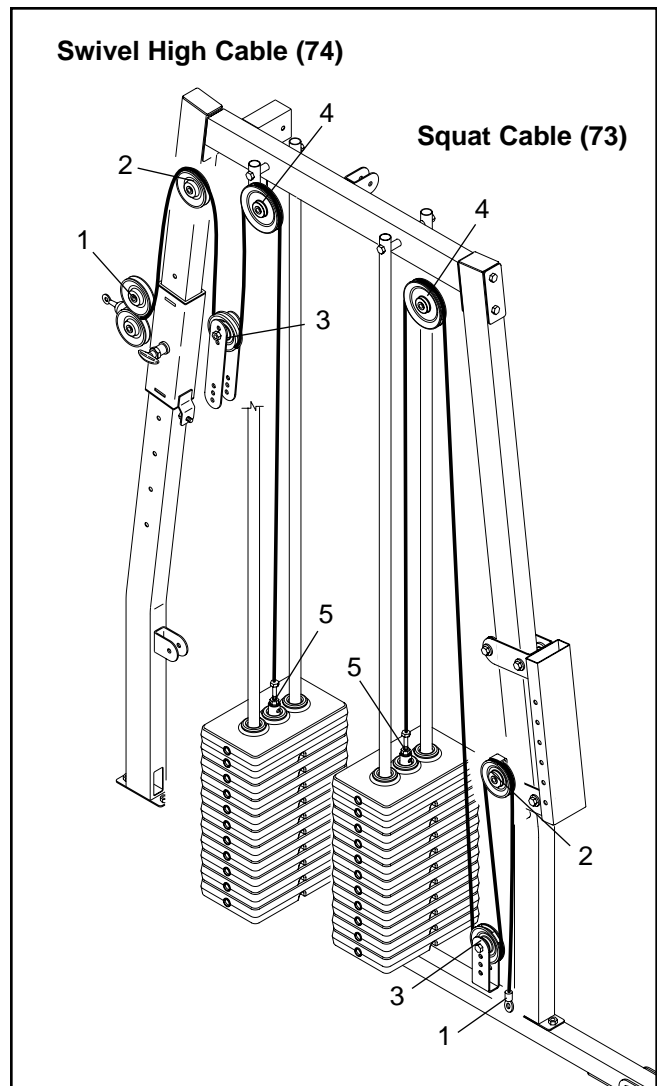
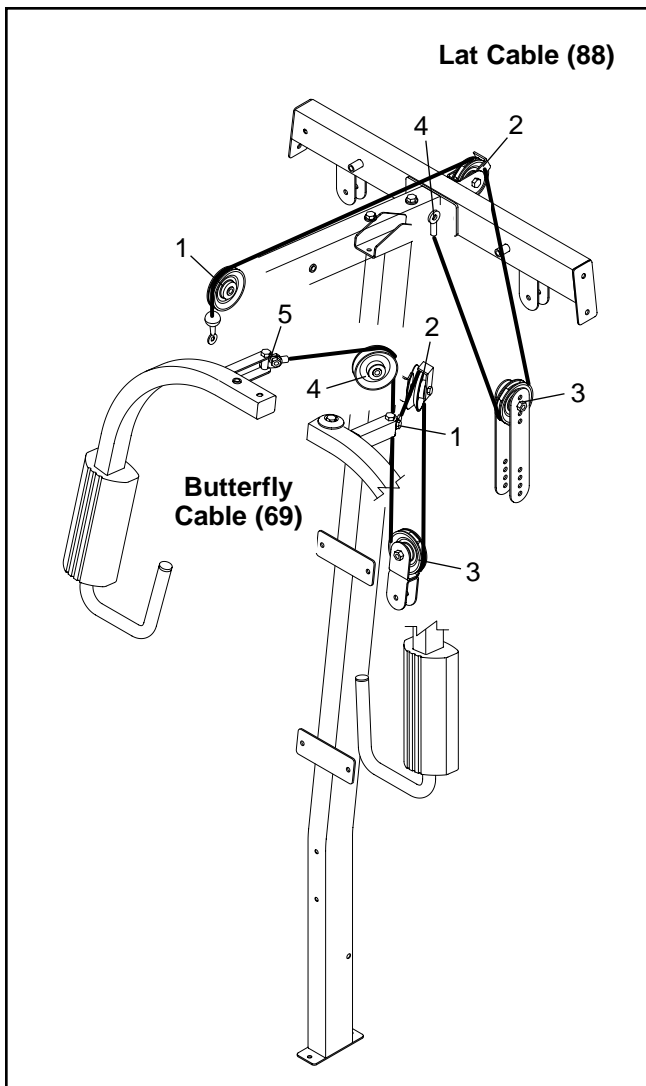
Do not overtighten the cables. If the cables are overtightened, the top weights will be lifted off the weight stacks.

If a cable slips off the pulleys repeatedly, it may have become twisted. Remove the cable and re-install it. If the cables need to be replaced, see ORDERING REPLACEMENT PARTS on the back cover of this manual.

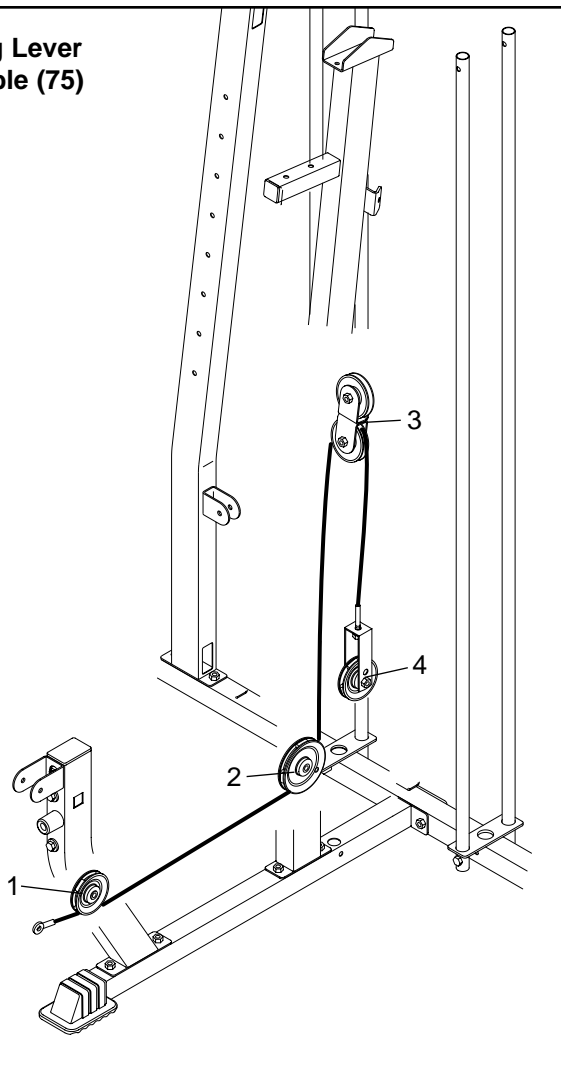
CABLE DIAGRAMS

The cable identification chart below shows the ends of each cable and the lengths of the cables. The cable diagrams on this page and the following page show the proper routing of the cables. The numbers in the diagrams show the routes of the cables. Use the diagrams to make sure that the cables have been assembled correctly. **IMPORTANT: If the cables have not been correctly routed, the weight system will not function properly and damage may occur.**

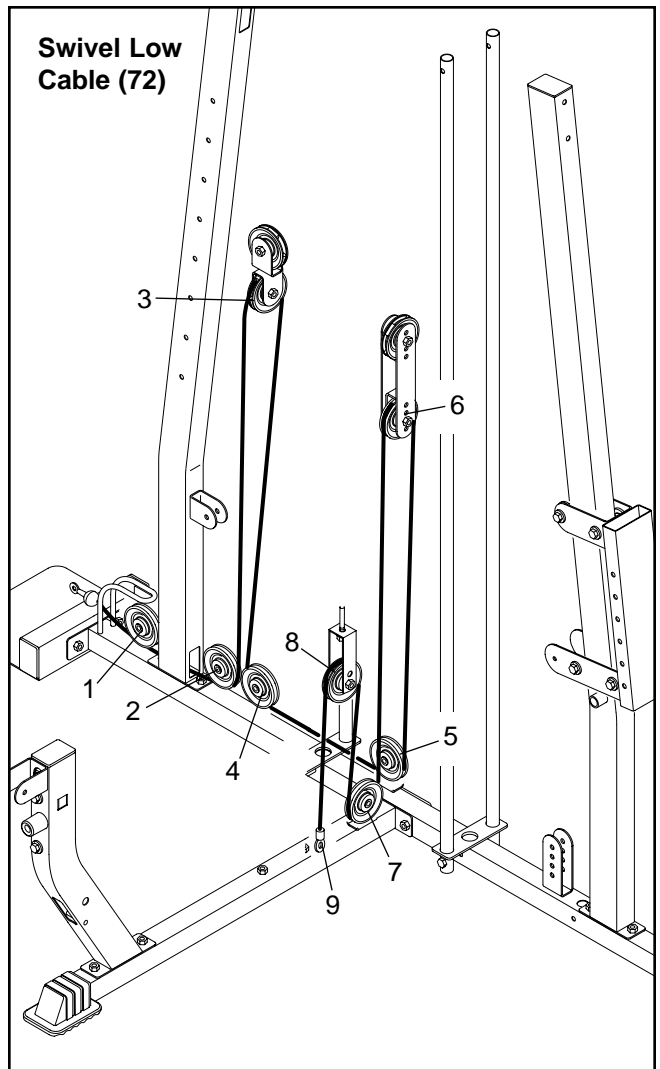
Cable Identification Chart	
	Butterfly Cable (69)—52"
	Swivel Low Cable (72)—205"
	Squat Cable (73)—174"
	Swivel High Cable (74)—124 1/2"
	Leg Lever Cable (75)—98 1/2"
	Lat Cable (88)—89 1/4"
	Swivel Cable (17)—115 3/8"



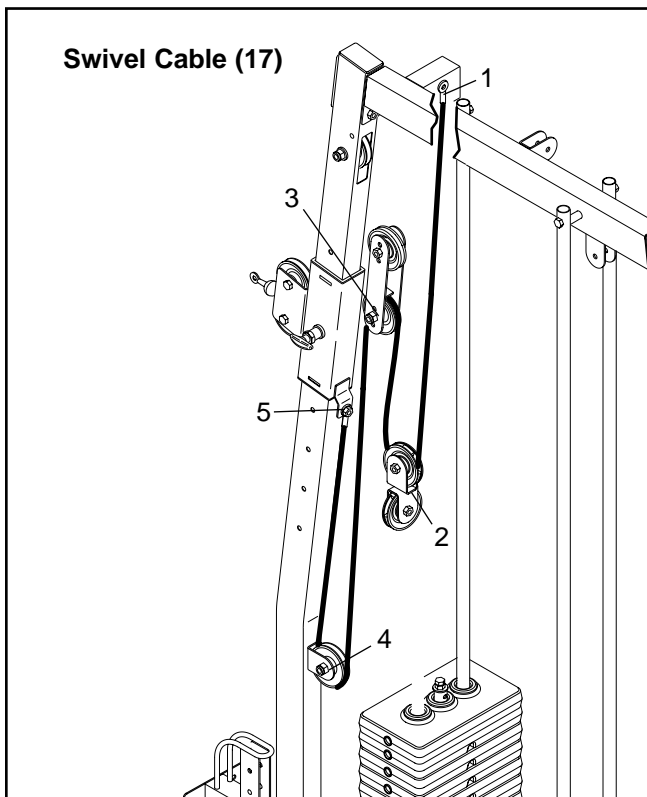
**Leg Lever
Cable (75)**



**Swivel Low
Cable (72)**



Swivel Cable (17)





Model No. 831.153931

QUESTIONS?

If you find that:

- you need help assembling or operating the WEIDER® PRO 4850 weight system
- a part is missing
- or you need to schedule repair service

call our toll-free HELPLINE

1-800-736-6879

Monday–Saturday, 7 am–7 pm
Central Time (excluding holidays)

REPLACEMENT PARTS

If parts become worn and need to be replaced, call the following toll-free number

1-800-FON-PART
(1-800-366-7278)

The model number and serial number of your WEIDER® PRO 4850 weight system are listed on a decal attached to the frame. See the front cover of this manual to find the location of the decal.

All replacement parts are available for immediate purchase or special order when you visit your nearest SEARS Service Center. To request service or to order parts by telephone, call the toll-free numbers listed at the left.

When requesting help or service, or ordering parts, please be prepared to provide the following information:

- The MODEL NUMBER of the product (831.153931)
- The NAME of the product (WEIDER® PRO 4850 weight system)
- The KEY NUMBER and DESCRIPTION of the PART (see the PART LIST and EXPLODED DRAWING in the center of this manual)

SEARS, ROEBUCK AND CO., HOFFMAN ESTATES, IL 60179

FULL 90 DAY WARRANTY

For 90 days from the date of purchase, if failure occurs due to defect in material or workmanship in this SEARS WEIGHT SYSTEM EXERCISER, contact the nearest SEARS Service Center throughout the United States and SEARS will repair or replace the WEIGHT SYSTEM EXERCISER, free of charge.

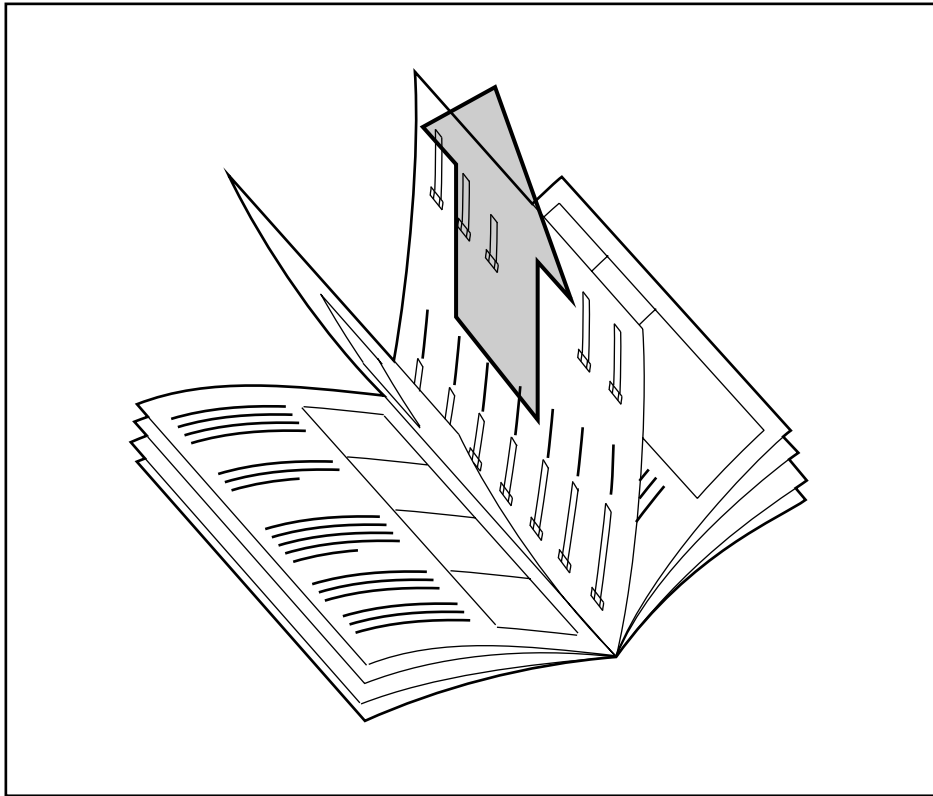
This warranty does not apply when the WEIGHT SYSTEM EXERCISER is used commercially or for rental purposes.

This warranty gives you specific legal rights, and you may also have other rights which vary from state to state.

SEARS, ROEBUCK AND CO., DEPT. 817WA, HOFFMAN ESTATES, IL 60179

REMOVE THIS PART IDENTIFICATION CHART FROM THE MANUAL. SAVE THIS PART IDENTIFICATION CHART FOR FUTURE REFERENCE.

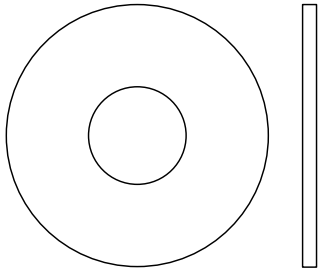
This chart is provided to help you identify the small parts used in assembly. The number in parenthesis below each part refers to the key number of the part from the PART LIST in the center of this manual. **Important:** Some parts may have been pre-assembled for shipping purposes. If you cannot find a part in the parts bags, check to see if it has been pre-assembled.



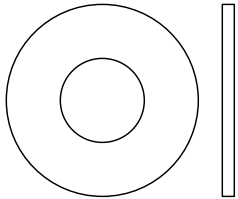
Note: Assembly is divided into four stages: 1) frame assembly, 2) arm assembly, 3) cable assembly, and 4) seat assembly. The hardware for each stage is packaged in separate bags. WAIT UNTIL YOU BEGIN EACH ASSEMBLY STAGE TO OPEN THE PARTS BAG LABELED FOR THAT ASSEMBLY STAGE.

PART IDENTIFICATION CHART—Model No. 831.153931

R1202A



1/2" Washer (1)



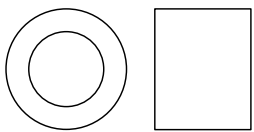
3/8" Washer (91)



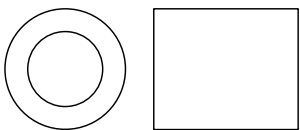
5/16" Washer (90)



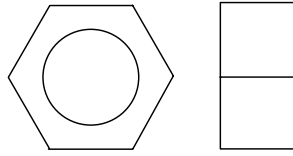
1/4" Washer (97)



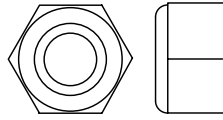
1/2" Spacer (89)



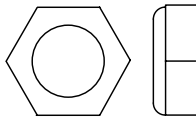
3/4" Spacer (124)



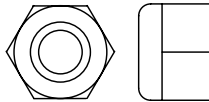
1/2" Nut (118)



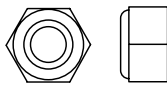
3/8" Nylon Locknut (87)



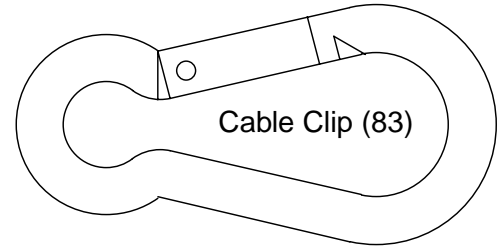
3/8" Nylon Jamnut (113)



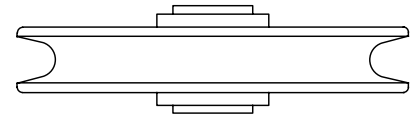
5/16" Nylon Locknut (86)



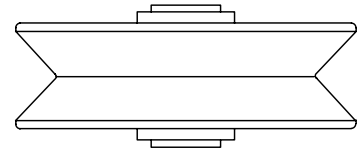
1/4" Nylon Locknut (34)



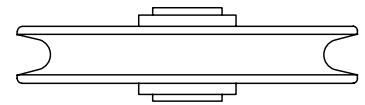
Cable Clip (83)



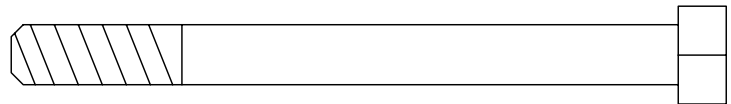
4 1/2" Pulley (119)
(Not shown to scale)



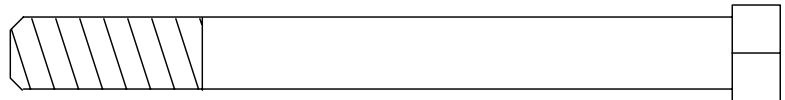
"V" Pulley (55)
(Not shown to scale)



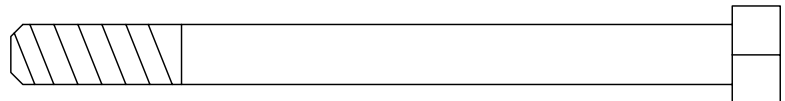
3 1/2" Pulley (78)
(Not shown to scale)



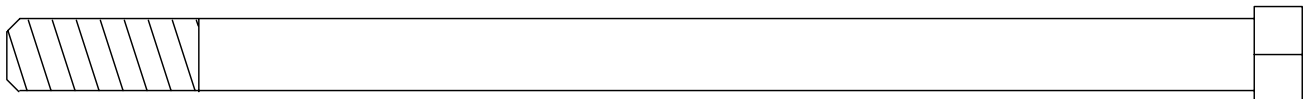
5/16" x 3 1/2" Bolt (94)



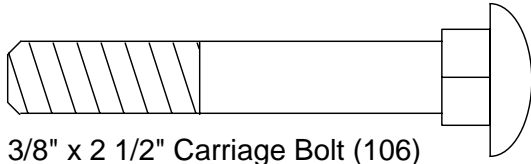
3/8" x 3 3/4" Bolt (122)



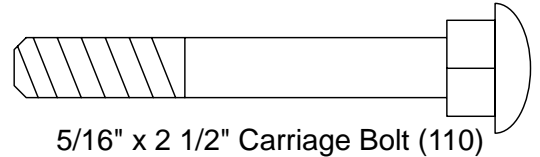
5/16" x 3 3/4" Bolt (92)



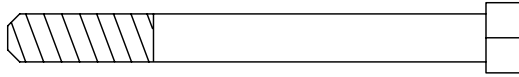
3/8" x 6 1/2" Bolt (95)



3/8" x 2 1/2" Carriage Bolt (106)



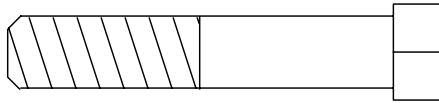
5/16" x 2 1/2" Carriage Bolt (110)



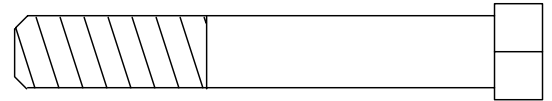
1/4" x 1 1/2" Bolt (99)



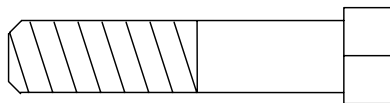
5/16" x 2 1/2" Bolt (59)



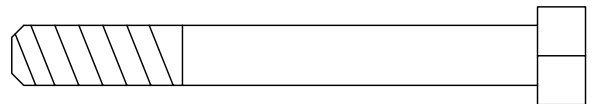
3/8" x 2" Bolt (100)



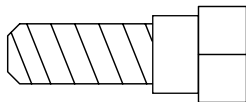
3/8" x 2 1/2" Bolt (18)



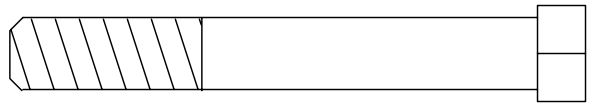
3/8" x 1 3/4" Bolt (93)



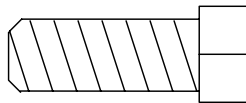
5/16" x 2 3/4" Bolt (85)



5/16" x 1" Shoulder Bolt (103)



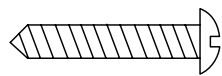
3/8" x 2 3/4" Bolt (101)



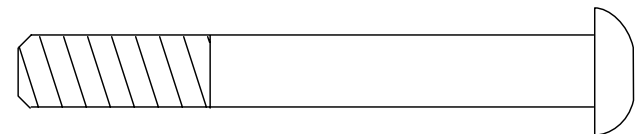
3/8" x 1" Bolt (13)



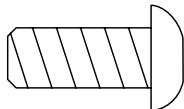
3/8" x 3" Bolt (107)



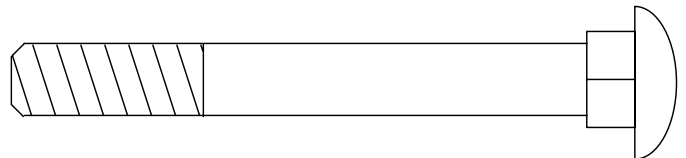
#10 x 1" Screw (14)



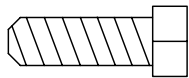
3/8" x 3" Button Head Bolt (104)



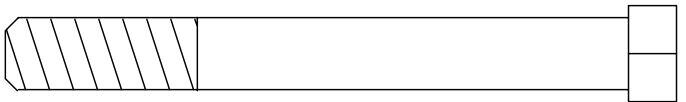
5/16" x 3/4" Button Head Screw (51)



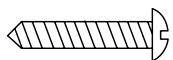
3/8" x 3" Carriage Bolt (126)



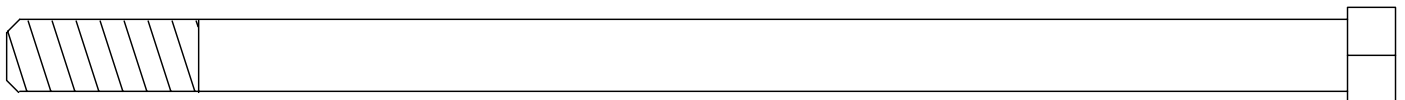
1/4" x 3/4" Screw (114)



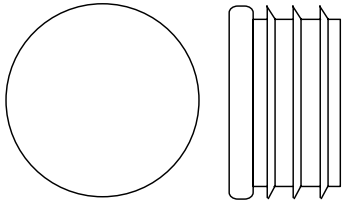
3/8" x 3 1/4" Bolt (96)



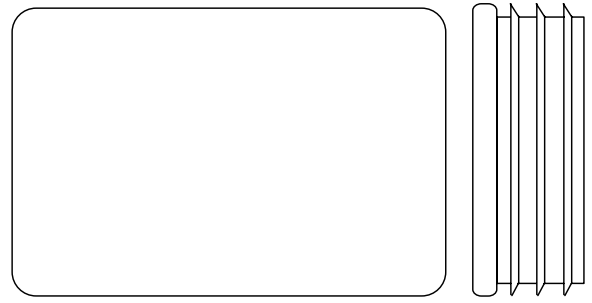
#8 x 3/4" Screw (98)



3/8" x 7" Bolt (30)



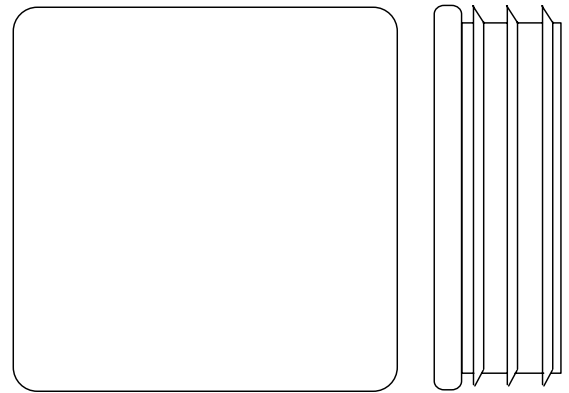
1" Round Inner Cap (29)



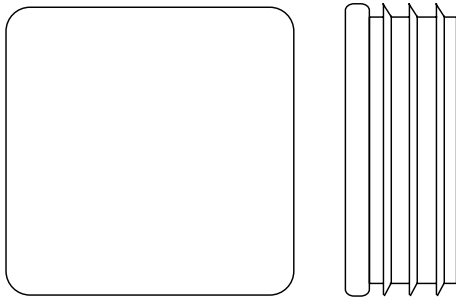
1 1/2" x 2" Inner Cap (21)



2" x 2 1/2" Inner Cap (125)



2" Square Inner Cap (105)



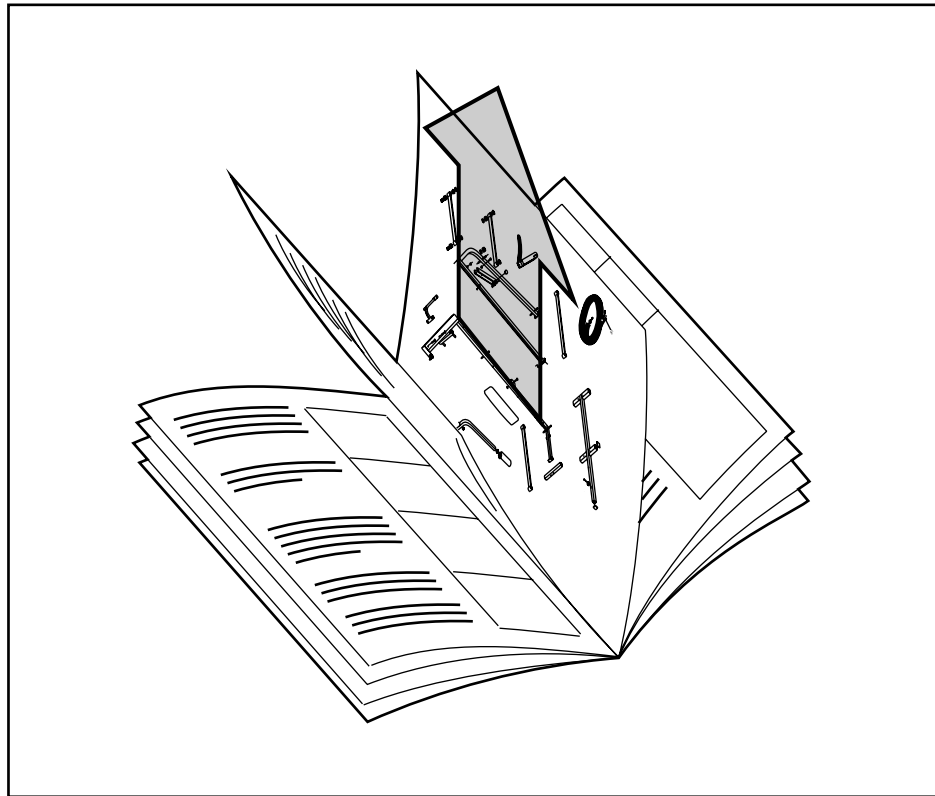
1 1/2" Square Inner Cap (67)



2" x 3" Inner Cap (58)

**REMOVE THIS PART LIST/EXPLODED DRAWING
FROM THE MANUAL.**

SAVE THIS PART LIST/EXPLODED DRAWING FOR FUTURE REFERENCE



PART LIST—Model No. 831.153931

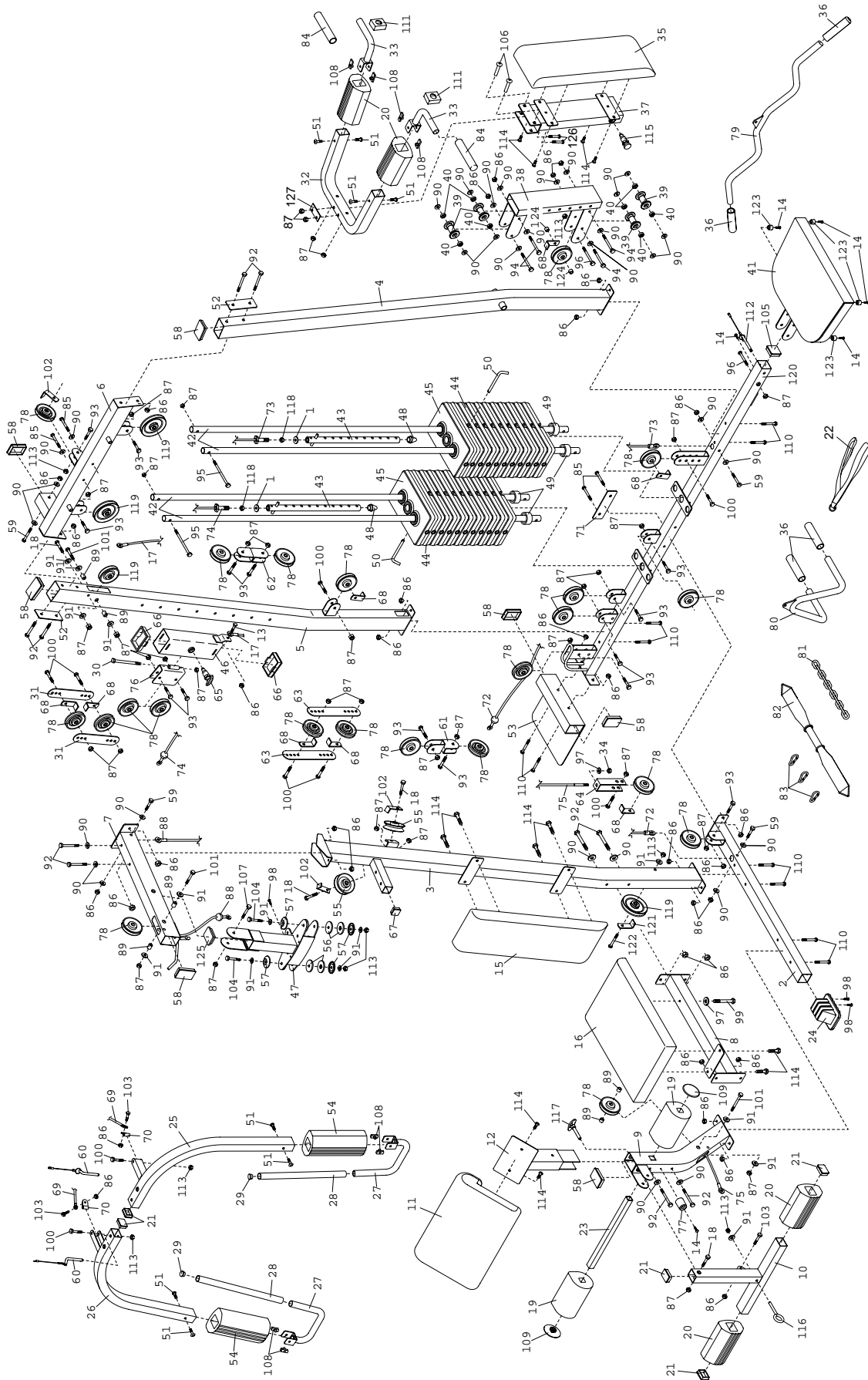
R1202A

Key No.	Qty.	Description	Key No.	Qty.	Description	Key No.	Qty.	Description
1	2	1/2" Washer	47	1	Butterfly Frame	90	32	5/16" Washer
2	1	Short Base	48	2	Weight Tube Bumper	91	14	3/8" Washer
3	1	Butterfly Upright	49	4	Weight Bumper	92	10	5/16" x 3 3/4" Bolt
4	1	Squat Upright	50	2	Weight Pin	93	14	3/8" x 1 3/4" Bolt
5	1	Swivel Upright	51	8	5/16" x 3/4" Button	94	4	5/16" x 3 1/2" Bolt
6	1	Top Frame			Head Screw	95	2	3/8" x 6 1/2" Bolt
7	1	Butterfly Top Frame	52	2	Short Frame Plate	96	2	3/8" x 3 1/4" Bolt
8	1	Seat Frame	53	1	Foot Plate	97	2	1/4" Washer
9	1	Seat Upright	54	2	Long Pad	98	3	#8 x 3/4" Screw
10	1	Leg Lever	55	2	"V"-pulley	99	1	1/4" x 2 1/2" Screw
11	1	Curl Pad	56	4	Plastic Washer	100	9	3/8" x 2" Bolt
12	1	Curl Post	57	4	Butterfly Cap	101	3	3/8" x 2 3/4" Bolt
13	1	3/8" x 1" Bolt	58	7	2" x 3" Inner Cap	102	3	Long Cable Trap
14	6	#10 x 1" Screw	59	4	5/16" x 2 1/2" Bolt	103	3	5/16" x 1" Shoulder Bolt
15	1	Butterfly Backrest	60	2	"L"-pin w/Tether			
16	1	Seat	61	1	Offset Double "U"-bracket	104	2	3/8" x 3" Button Head Bolt
17	1	Swivel Cable						
18	4	3/8" x 2 1/2" Bolt	62	1	Double "U"-bracket	105	1	2" Square Inner Cap
19	2	Knee Pad	63	2	Pulley Plate	106	2	3/8" x 2 1/2" Carriage Bolt
20	4	Short Pad	64	1	"U"-bracket			
21	5	1 1/2" x 2" Inner Cap	65	1	Adjustment Handle	107	1	3/8" x 3" Bolt
22	1	Ab Strap	66	2	Swivel Bushings	108	8	Nut Clip
23	1	Pad Tube	67	1	1 1/2" Square Inner Cap	109	2	Knee Pad Cap
24	1	Base Cap				110	10	5/16" x 2 1/2" Carriage Bolt
25	1	Left Butterfly Arm	68	8	Cable Trap			
26	1	Right Butterfly Arm	69	1	Butterfly Cable	111	2	Inner Cap w/Hole
27	2	Press Handle	70	2	Pivot Bracket	112	1	Pin w/Tether
28	2	Long Handgrip	71	1	Long Frame Plate	113	8	3/8" Nylon Jamnut
29	2	1" Round Inner Cap	72	1	Swivel Low Cable	114	12	1/4" x 3/4" Screw
30	1	3/8" x 7" Bolt	73	1	Squat Cable	115	1	Adjustment Knob
31	2	Small Pulley Plate	74	1	Swivel High Cable	116	1	Eyebolt
32	1	Squat Arm	75	1	Leg Lever Cable	117	1	Curl Knob
33	2	Squat Handle	76	1	Swivel Cage	118	2	1/2" Nut
34	1	1/4" Nylon Locknut	77	1	Leg Lever Bumper	119	4	4 1/2" Pulley
35	1	Squat Backrest	78	22	3 1/2" Pulley	120	1	Long Base
36	4	5" Handgrip	79	1	Lat Bar	121	1	Large Cable Trap
37	1	Squat Bracket	80	1	Row Bar	122	1	3/8" x 3 3/4" Bolt
38	1	Squat Slider	81	1	Chain	123	4	Knee Rest Bumper
39	4	Roller	82	1	Handle	124	2	3/4" Spacer
40	8	Roller Bearing	83	3	Cable Clip	125	1	2" x 2 1/2" Inner Cap
41	1	Squat Knee Rest	84	2	8" Handgrip	126	2	3/8" x 3" Carriage Bolt
42	4	Weight Guide	85	4	5/16" x 2 3/4" Bolt	127	1	Small Support Plate
43	2	Weight Tube	86	34	5/16" Nylon Locknut	#	1	User's Manual
44	20	Weight	87	35	3/8" Nylon Locknut	#	1	Exercise Guide
45	2	Top Weight	88	1	Lat Cable			
46	1	Swivel Carriage	89	6	1/2" Spacer			

Note: "#" indicates a non-illustrated part. Specifications are subject to change without notice.

EXPLODED DRAWING—Model No. 831.153931

R1202A



Free Manuals Download Website

<http://myh66.com>

<http://usermanuals.us>

<http://www.somanuals.com>

<http://www.4manuals.cc>

<http://www.manual-lib.com>

<http://www.404manual.com>

<http://www.luxmanual.com>

<http://aubethermostatmanual.com>

Golf course search by state

<http://golfingnear.com>

Email search by domain

<http://emailbydomain.com>

Auto manuals search

<http://auto.somanuals.com>

TV manuals search

<http://tv.somanuals.com>