

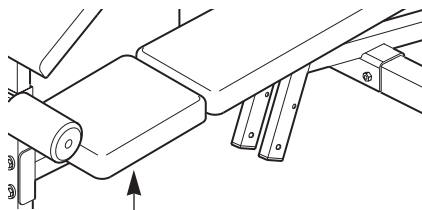


WEIDER[®] PRO 900

Model No. 831.150760

Serial No. _____

Write the serial number in the space above for future reference.



Serial Number Decal (Under Seat)

EXERCISE
EQUIPMENT

QUESTIONS

HELPLINE!

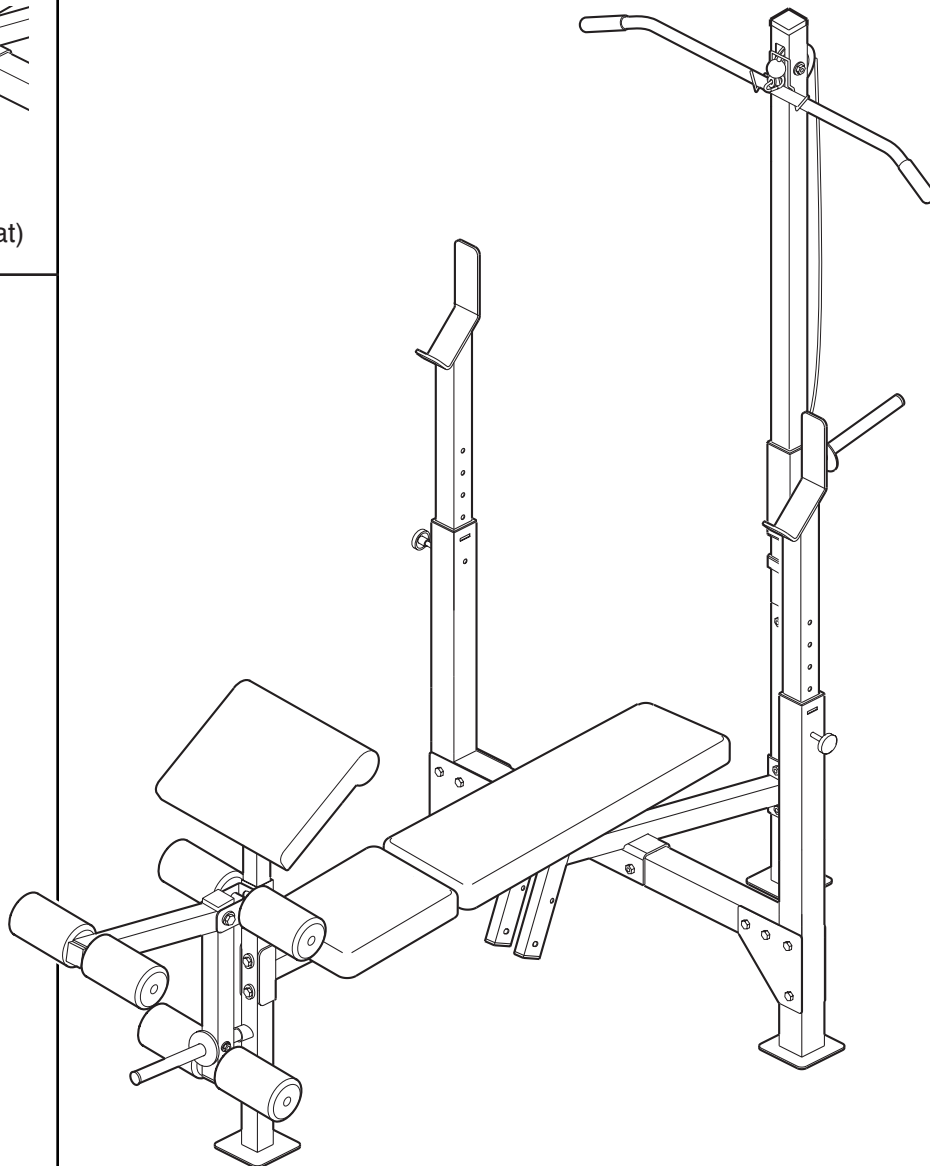
1-800-736-6879

SEARS, ROEBUCK AND CO.,
HOFFMAN ESTATES, IL 60179

CAUTION

Read all precautions and instructions in this manual before using this equipment. Save this manual for future reference.

USER'S MANUAL



Visit our website at

www.weiderfitness.com

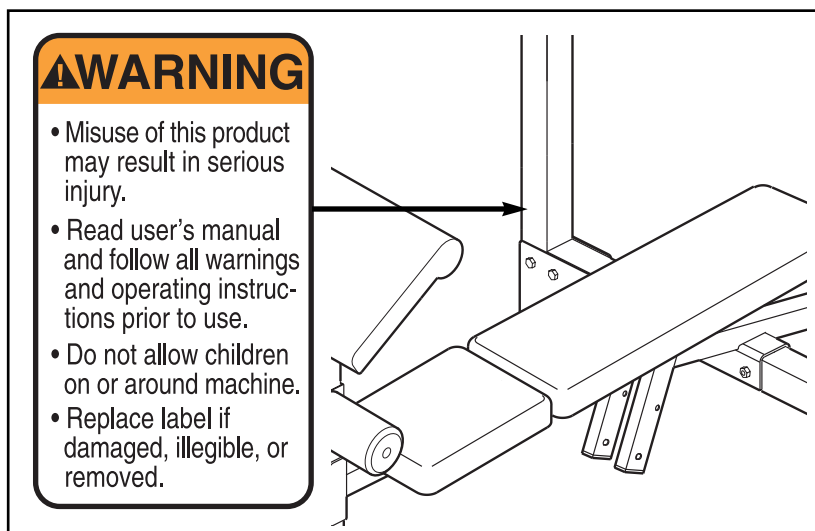
new products, prizes,
fitness tips, and much more!

Table of Contents

WARNING DECAL PLACEMENT	2
IMPORTANT PRECAUTIONS	3
BEFORE YOU BEGIN	4
PART IDENTIFICATION CHART	5
ASSEMBLY	6
USING THE WEIGHT BENCH	11
EXERCISE GUIDELINES	13
PART LIST	18
EXPLODED DRAWING	19
ORDERING REPLACEMENT PARTS	Back Cover
FULL 90 DAY WARRANTY	Back Cover

Warning Decal Placement

The decal shown at the right has been applied to the weight bench. If the decal is missing, or if it is not legible, please call our toll-free HELPLINE at 1-800-736-6879, Monday through Saturday, 7 a.m. until 7 p.m. Central Time (excluding holidays), to order a free replacement decal. Apply the replacement decal in the location shown.



Important Precautions

⚠️ WARNING: To reduce the risk of serious injury, read the following important precautions before using the weight bench.

1. Read all instructions in this manual before using the weight bench.
2. It is the responsibility of the owner to ensure that all users of the weight bench are adequately informed of all precautions.
3. Use the weight bench only as described in this manual.
4. Use the weight bench only on a level surface. Cover the floor beneath the weight bench for protection.
5. Inspect and tighten all parts each time you use the weight bench. Replace any worn parts immediately.
6. Keep children under the age of 12 and pets away from the weight bench at all times.
7. Always be sure there is an equal amount of weight on each side of your barbell (not included) when you are using it. When adding or removing weights, always keep some weight on both ends of the barbell and prevent the barbell from tipping.
8. Do not use a barbell that is longer than six feet with the weight bench.
9. When you are using the leg lever, place a barbell with the same amount of weight on the weight rests to balance the bench.
10. Keep hands and feet away from moving parts.
11. Always wear athletic shoes for foot protection while exercising.
12. The weight bench does not include weights. The weight bench is designed to support a maximum of 460 pounds, including the user, a weight bar, and weights. Do not place more than 210 pounds, including a weight bar and weights, on the weight rests. Do not place more than 130 pounds on the leg lever.
13. When using the backrest in an inclined position, make sure that the adjustment pin is inserted completely into both adjustment tubes and the frame, and that the pin clip is attached to the adjustment pin.
14. If you feel pain or dizziness at any time while exercising, stop immediately and begin cooling down.
15. The weight bench is intended for home use only. Do not use the weight bench in any commercial, rental, or institutional setting.
16. Make sure that the adjustment knobs are inserted completely and tightened into the uprights before beginning any exercise.
17. When adjusting the position of the seat, make sure that the adjustment pin is inserted through both adjustment tubes before beginning any exercise (see page 11).
18. Always exercise with a partner. When you are performing bench press exercises, your partner should stand behind you to catch the barbell if you cannot complete a repetition.
19. Always remove the curl post from the front leg before performing leg curl or leg extension exercises with the leg lever.
20. Always lower the weight carriage in a controlled manner. Never let the weight carriage drop.

⚠️ WARNING: Before beginning this or any exercise program, consult your physician. This is especially important for persons over the age of 35 or persons with pre-existing health problems. Read all instructions before using. SEARS assumes no responsibility for personal injury or property damage sustained by or through the use of this product.

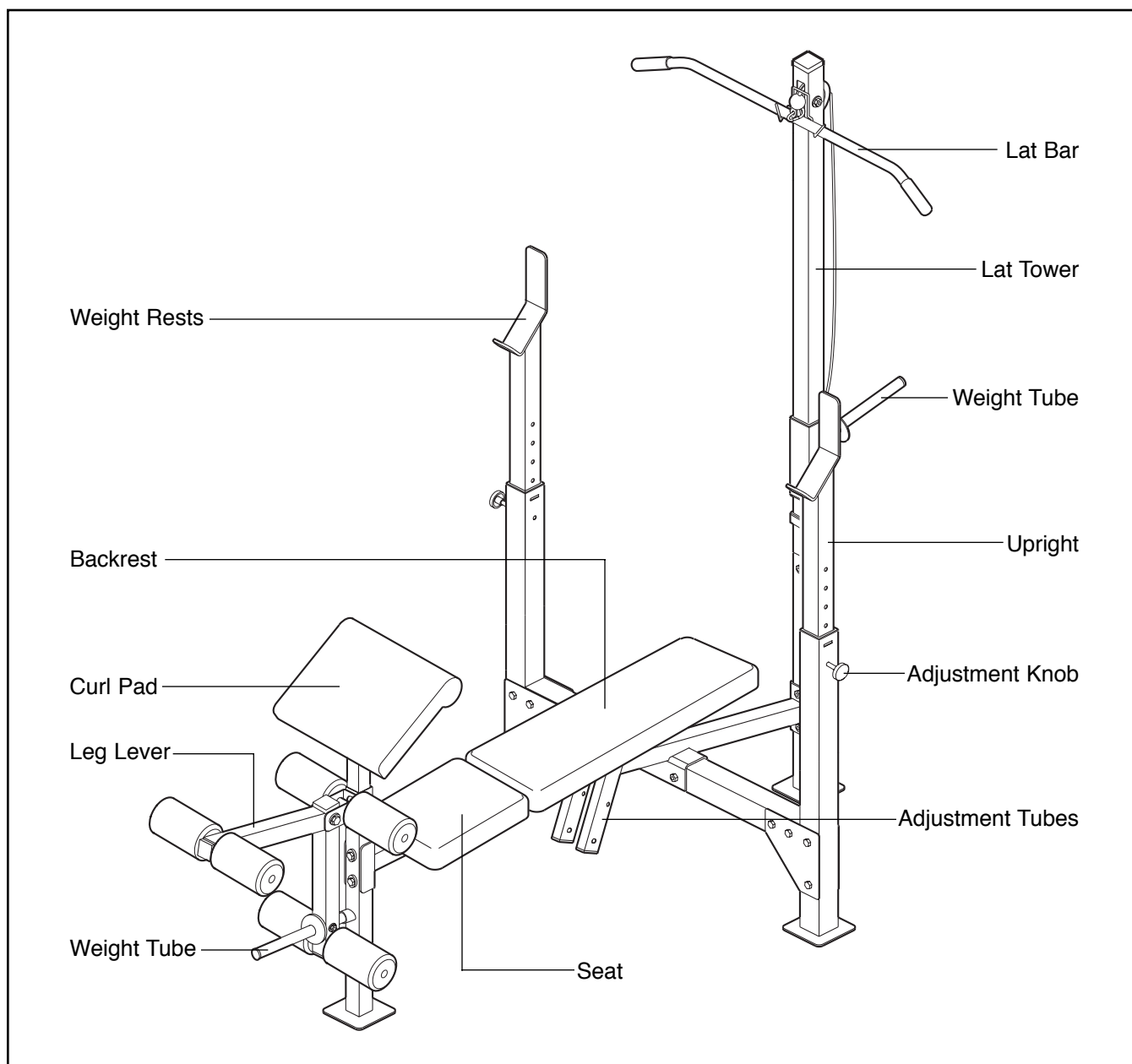
Before You Begin

Thank you for selecting the WEIDER® PRO 900 weight bench. The versatile WEIDER® PRO 900 is designed to be used with your own weight set (not included) to develop every major muscle group of the body. Whether your goal is a shapely figure, dramatic muscle size and strength, or a healthier cardiovascular system, the WEIDER® PRO900 will help you to achieve the specific results you want.

For your benefit, read this manual carefully before using the weight bench. If you have additional questions, please call our toll-free HELPLINE at 1-800-736-

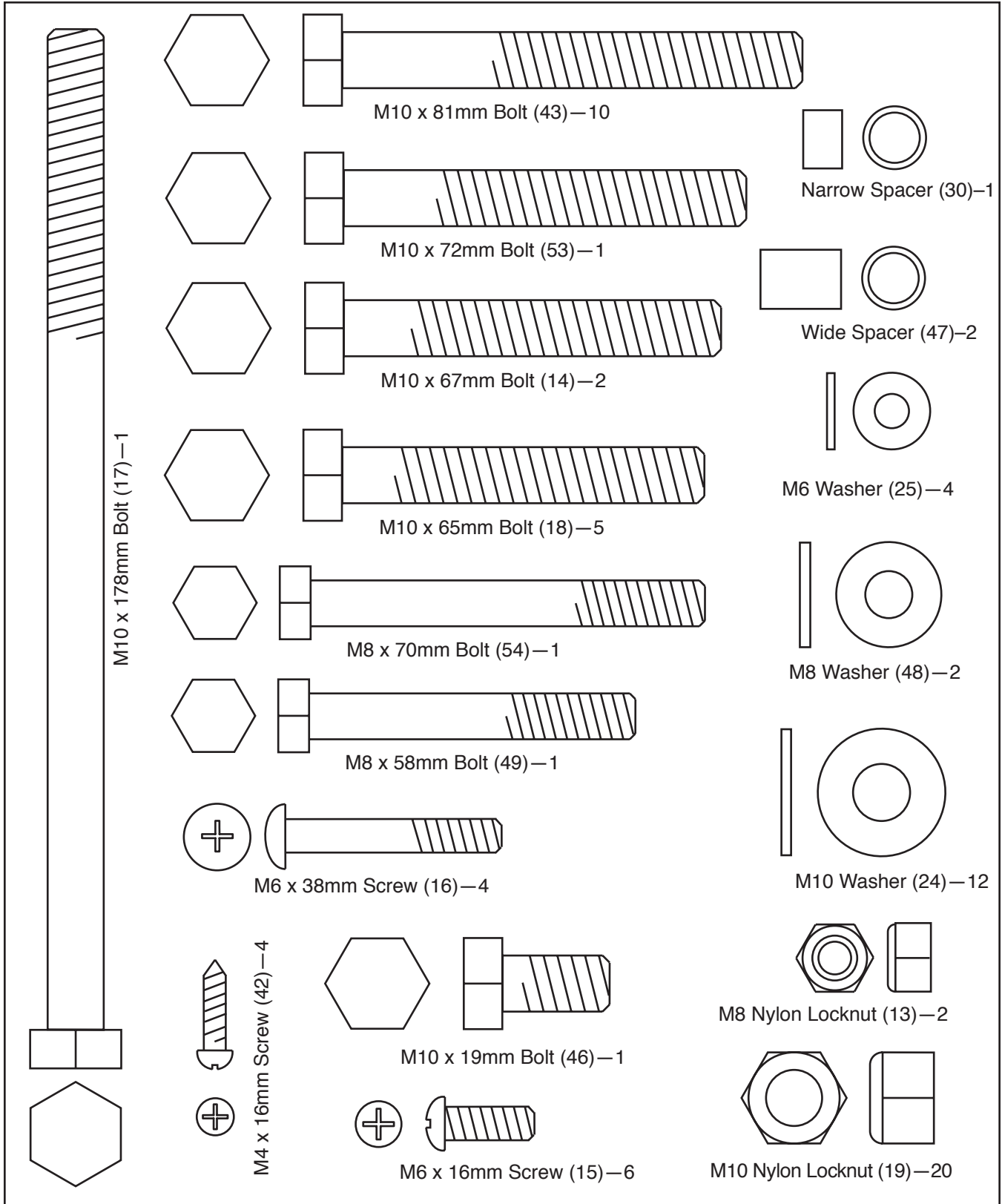
6879, Monday through Saturday, 7 a.m. until 7 p.m. Central Time (excluding holidays). To help us assist you, please note the product model number and serial number before calling. The model number is 831.150760. The serial number can be found on a decal attached to the weight bench (see the front cover of this manual).

Before reading further, please look at the drawing below and familiarize yourself with the parts that are labeled.



Part Identification Chart

This chart is provided to help you identify the small parts used in assembly. The number in parenthesis below each part refers to the key number of the part. The second number refers to the quantity needed for assembly. **Important: Some parts may have been pre-assembled for shipping purposes. If you cannot find a part in the parts bags, check to see if it has been pre-assembled.**






Assembly

Before beginning assembly, carefully read the following information and instructions:

- Place all parts of the weight bench in a cleared area and remove the packing materials; do not dispose of the packing materials until assembly is completed.
- Read each assembly step before you begin.
- For help identifying the small parts used in assembly, **use the PART IDENTIFICATION CHART on the previous page.** Note: Some small parts may have been pre-attached for shipping purposes. If a part is not in the parts bag, check to see if it has been pre-attached.
- Tighten all parts as you assemble them, unless instructed to do otherwise.

- As you assemble the weight bench, make sure that all parts are oriented as shown in the drawings.

THE FOLLOWING TOOLS (NOT INCLUDED) ARE REQUIRED FOR ASSEMBLY:

- **Two (2) adjustable wrenches** 
- **One (1) phillips screwdriver** 
- **One (1) rubber mallet** 
- **Lubricant, such as grease or petroleum jelly, and soapy water will also be needed.**

Assembly will be more convenient if you have the following tools: A socket set, a set of open-end or closed-end wrenches, or a set of ratchet wrenches.

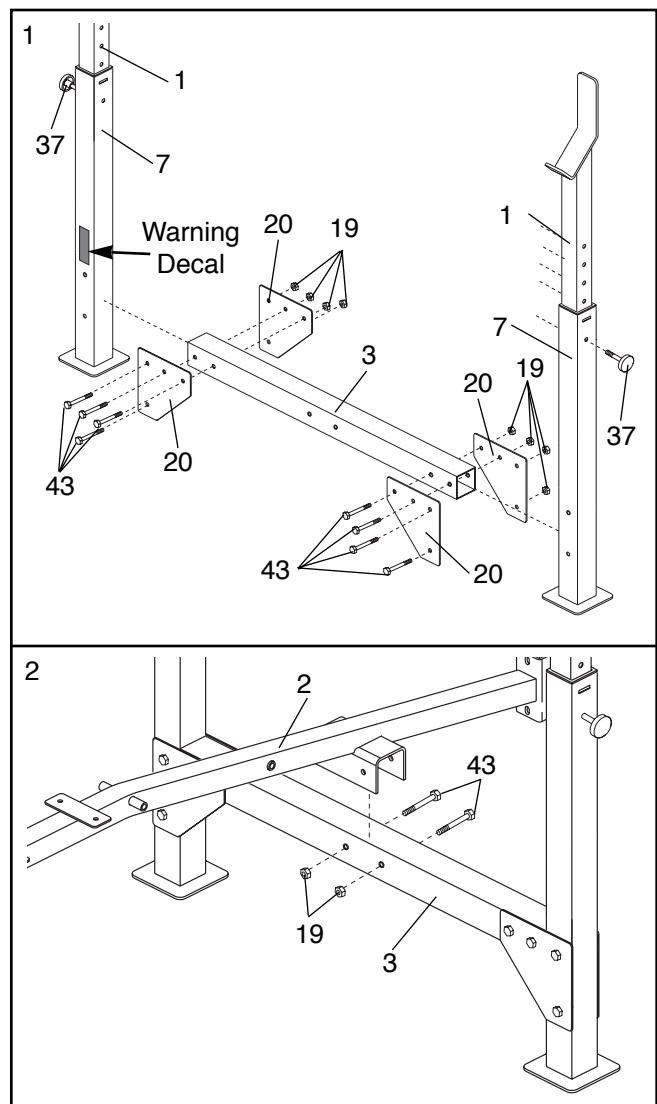
1. **Before assembling this weight bench, be sure that you have read and understand the information in the box above.**

The weight bench is designed to be used with a mid-width weight set (not included). To use the weight bench with an Olympic-size weight set, an optional Olympic expansion kit is available to purchase (model number 831.150780).

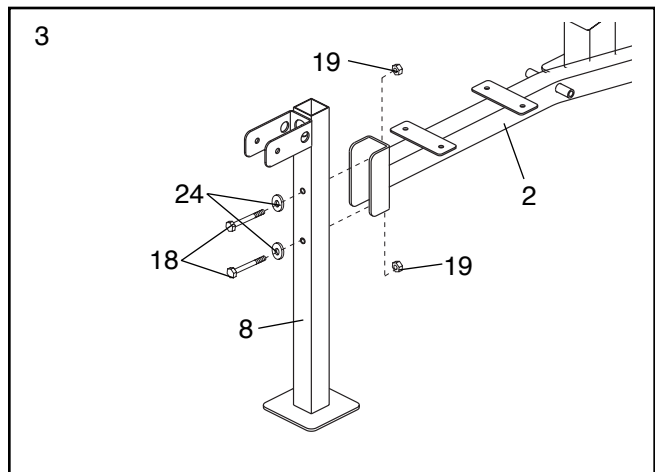
Position the Crossbar (3) as shown. (Note: If you purchased the optional Olympic expansion kit, place the Olympic crossbar in place of the standard crossbar.) Attach the Crossbar to each Upright Base (7) with four M10 x 81mm Bolts (43), a Support Plate (20), and four M10 Nylon Locknuts (19). **Note the position of the warning decal and make sure that the Upright Bases are oriented exactly as shown.**

Slide the Uprights (1) into the desired position in the Upright Base (7) and secure them with two M10 x 67mm Adjustment Knobs (37).

2. Slide the welded bracket on the Frame (2) onto the Crossbar (3). Secure the Frame with two M10 x 81mm Bolts (43) and two M10 Nylon Locknuts (19).



- Attach the Front Leg (8) to the Frame (2) with two M10 x 65mm Bolts (18), two M10 Washers (24), and two M10 Nylon Locknuts (19).

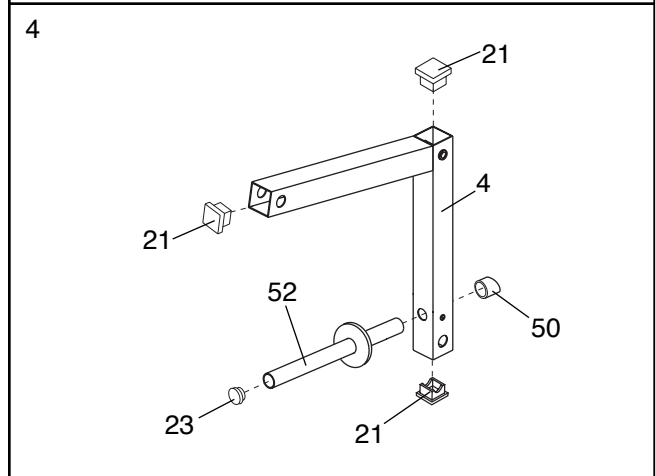


- Tap three 45mm Square Inner Caps (21) into Leg Lever (4) as shown.

Tap a 1" Round Inner Cap (23) into the indicated end of the Weight Tube (52).

Insert the Weight Tube (52) into the indicated hole in the Leg Lever (4). Press a 1" Angle Cap (50) onto the indicated end of the Weight Tube.

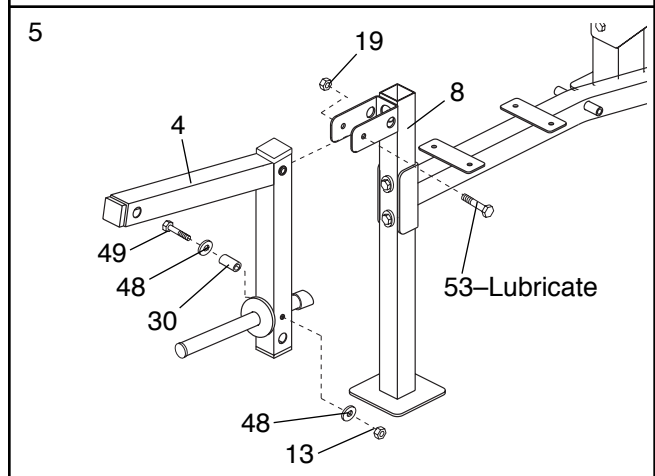
Note: If you purchased the optional Olympic expansion kit, attach the Olympic sleeve to the Weight Tube (52) as shown in the accessory manual.



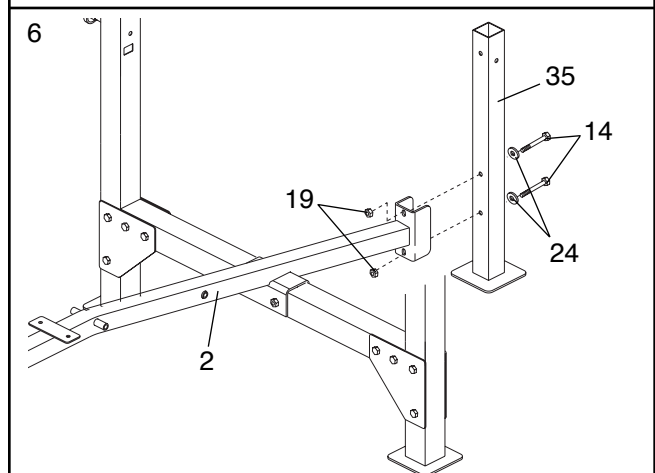
- Lubricate an M10 x 72mm Bolt (53). Attach the Leg Lever (4) to the Front Leg (8) with the Bolt and an M10 Nylon Locknut (19).

Attach the Narrow Spacer (30) to the Leg Lever (4) with the M8 x 58mm Bolt (49), two M8 Washers (48), and an M8 Nylon Locknut (13).

Note: The Spacer will fit tightly inside of the Leg Lever.



- Attach the Frame (2) to the Lat Tower Base (35) with two M10 x 67mm Bolts (14), two M10 Washers (24), and two M10 Nylon Locknuts (19).



- Press four 1" Square Inner Caps (12) into the indicated ends of the Backrest Tubes (5, 55). Press two 1" x 2" Inner Caps (45) into the ends of the adjustment tubes.

With the wide end of the Backrest (6) positioned as shown, attach the Backrest Tubes (5, 55) to the Backrest (6) with four M6 x 38mm Screws (16) and four M6 Washers (25). **The Backrest Tubes and the Backrest must be oriented exactly as shown.**

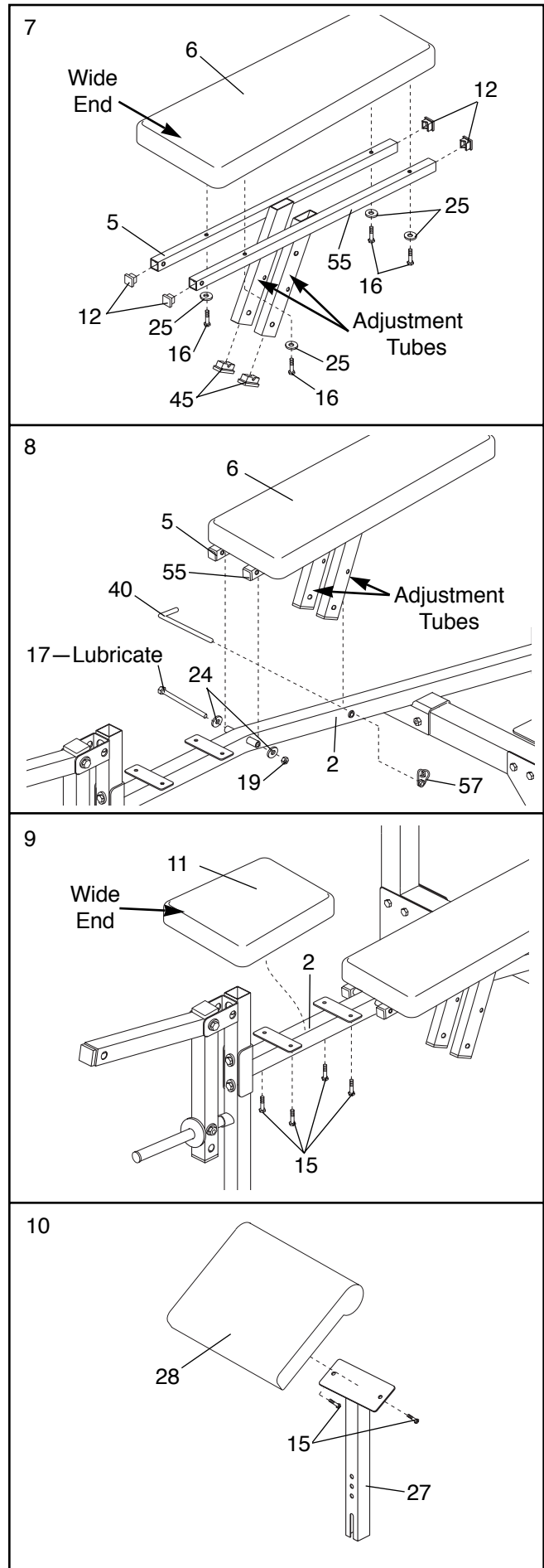
- Lubricate the M10 x 178mm Bolt (17). Attach the Backrest Tubes (5, 55) to the Frame (2) with the Bolt, two M10 Washers (24), and an M10 Nylon Locknut (19).

Secure the Backrest (6) at the desired height by inserting the Adjustment Pin (40) through the adjustment tubes and the Frame (2). Attach the Pin Clip (57) to the end of the Adjustment Pin.

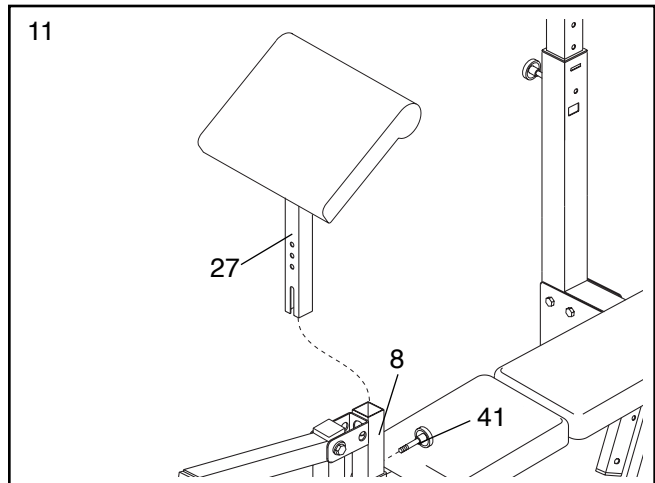
Make sure that the Adjustment Pin (40) is completely inserted through both adjustment tubes.

- With the wide end of the Seat (11) positioned as shown, attach the Seat to the brackets on the Frame (2) with four M6 x 16mm Screws (15).

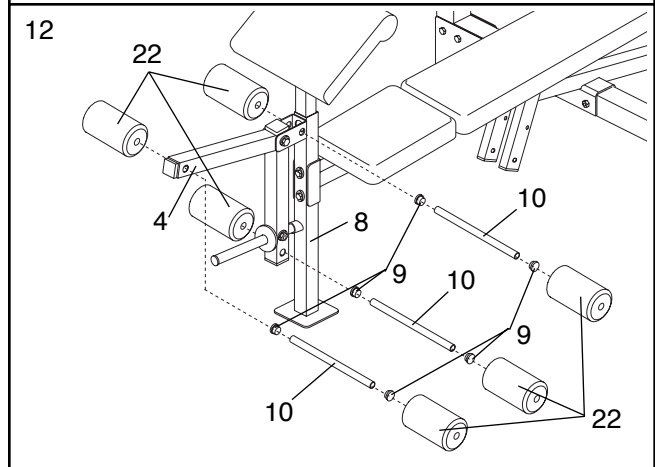
- Attach the Curl Pad (28) to the Curl Post (27) with two M6 x 16mm Screws (15).



11. Slide the Curl Post (27) into the Front Leg (8). Align one of the adjustment holes in the Curl Post with the adjustment hole in the Front Leg. Tighten the M10 x 48mm Adjustment Knob (41) into the adjustment hole in the Front Leg. **Make sure to fully tighten the Adjustment Knob.**



12. Tap two 3/4" Round Inner Caps (9) into each Pad Tube (10). Insert the Pad Tubes into the holes in the Leg Lever (4) and the Front Leg (8). Slide two Foam Pads (22) onto each Pad Tube.

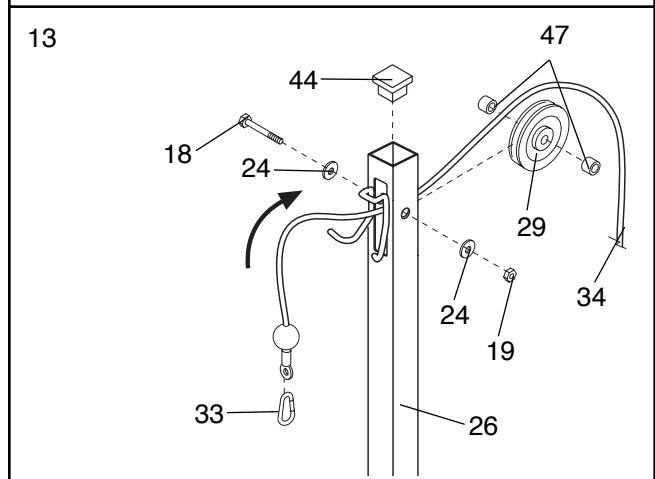


13. Locate the Cable (34) and note that it has a loop on one end and a ball on the other end. Insert the end with the loop through the slot in the Lat Tower (26) from the direction shown.

Next, lay the Cable (34) in the groove of the Pulley (29). Attach the Pulley inside the slot in the Lat Tower (26) with an M10 x 65mm Bolt (18), two M10 Washers (24), two Wide Spacers (47), and an M10 Nylon Locknut (19).

Press a 50mm Square Inner Cap (44) into the top of the Lat Tower (26).

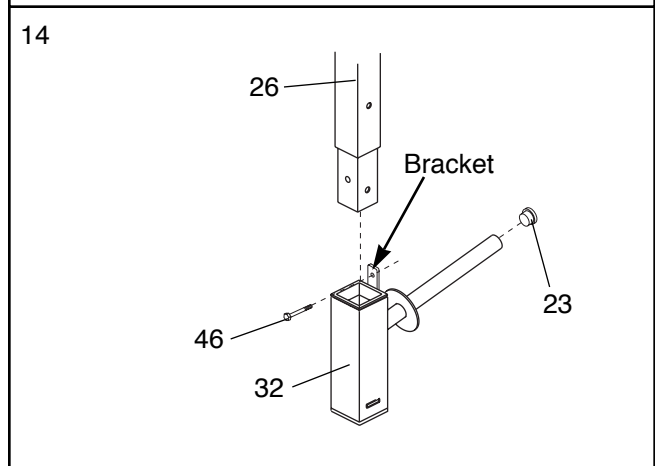
Attach a Cable Clip (33) to indicated end of the Cable (34).



14. Press a 1" Round Inner Cap (23) into the weight tube on the Weight Carriage (32).

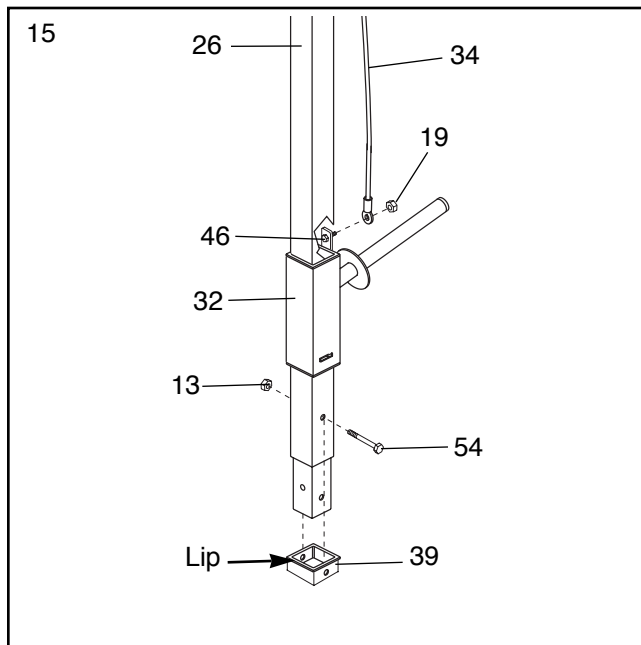
Insert the M10 x 19mm Bolt (46) into the bracket on the Weight Carriage (32) from the indicated direction.

Note the position of the Lat Tower (26) in step 13. The Lat Tower must be positioned in this manner. Slide the Weight Carriage (32) onto the Lat Tower. Make sure that the Weight Carriage is oriented as shown.

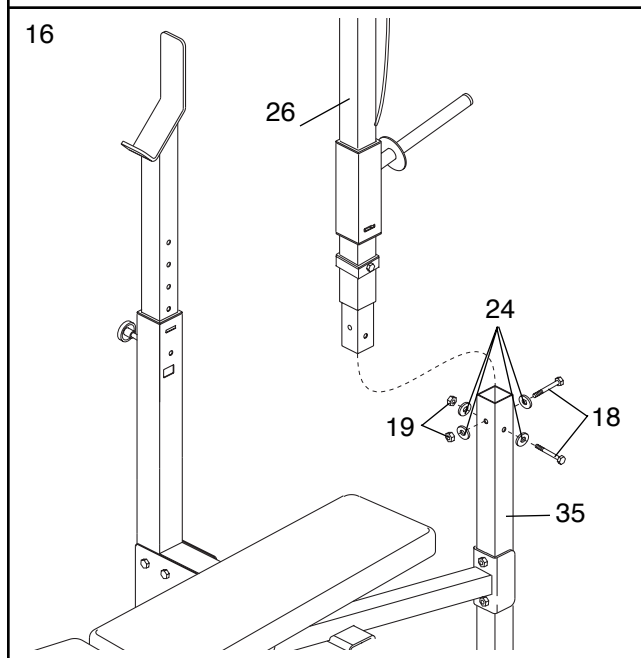


15. Secure the looped end of the Cable (34) to the M19 x 19mm Bolt (46) in the bracket on the Weight Carriage (32) with an M10 Nylon Locknut (19).

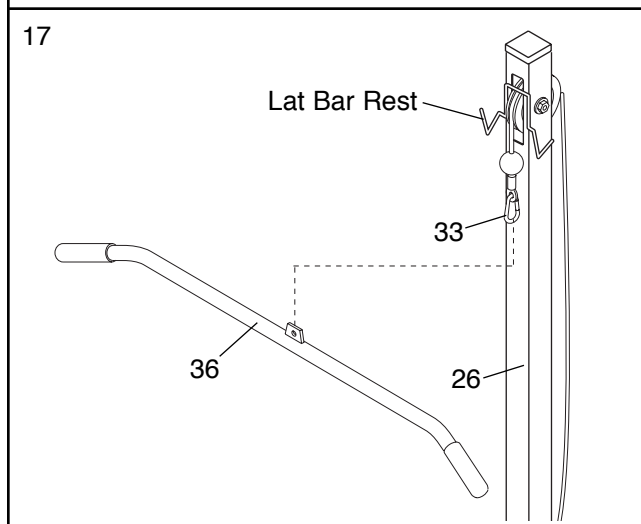
Next, slide the Carriage Stop (39) onto the Lat Tower (26). Secure the Carriage Stop with an M8 x 70mm Bolt (54) and an M8 Nylon Locknut (13). Note: The Carriage Stop must be positioned with the lip on top as shown.



16. Insert the Lat Tower (26) into the Lat Tower Base (35). **Make sure that the Lat Tower is turned as shown.** Secure the Lat Tower with two M10 x 65mm Bolts (18), four M10 Washers (24), and two M10 Nylon Locknuts (19).



17. Attach the Lat Bar (36) to the Cable Clip (33) and place the Lat Bar in the lat bar rest on the Lat Tower (26).



18. **Make sure that all parts are properly tightened before you use the weight bench.** The use of all remaining parts will be explained in USING THE WEIGHT BENCH on pages 11 and 12.

Using the Weight Bench

The weight bench is designed to be used with your own weight set (not included). The steps below explain how the weight bench can be adjusted. See EXERCISE GUIDELINES on page 13 for important exercise information and refer to the accompanying exercise poster to see the correct form for several exercises. Refer also to the exercise information accompanying your weight set (not included) for additional exercises.

Inspect and tighten all parts each time you use the weight bench. Replace any worn parts immediately. The weight bench can be cleaned with a damp cloth and a mild, non-abrasive detergent. Do not use solvents.

ADJUSTING THE BACKREST

The Backrest (6) can be used in a declined position, a level position, or either of two inclined positions. To adjust the Backrest to a declined position, remove the Adjustment Pin (40), lower the Backrest until it rests on the Crossbar (3), and re-insert the Adjustment Pin.

To use the Backrest (6) in a level position, insert the Adjustment Pin (40) through the top set of holes. Attach the Pin Clip (57) to the Adjustment Pin.

To adjust the Backrest (6) to an inclined position, insert the Adjustment Pin (40) completely through one of the lower sets of holes in the adjustment tubes. Attach the Pin Clip (57) to the Adjustment Pin.

WARNING: When adjusting the Backrest (6), make sure that the Adjustment Pin (40) is inserted completely through both adjustment tubes and that the Pin Clip (57) is attached.

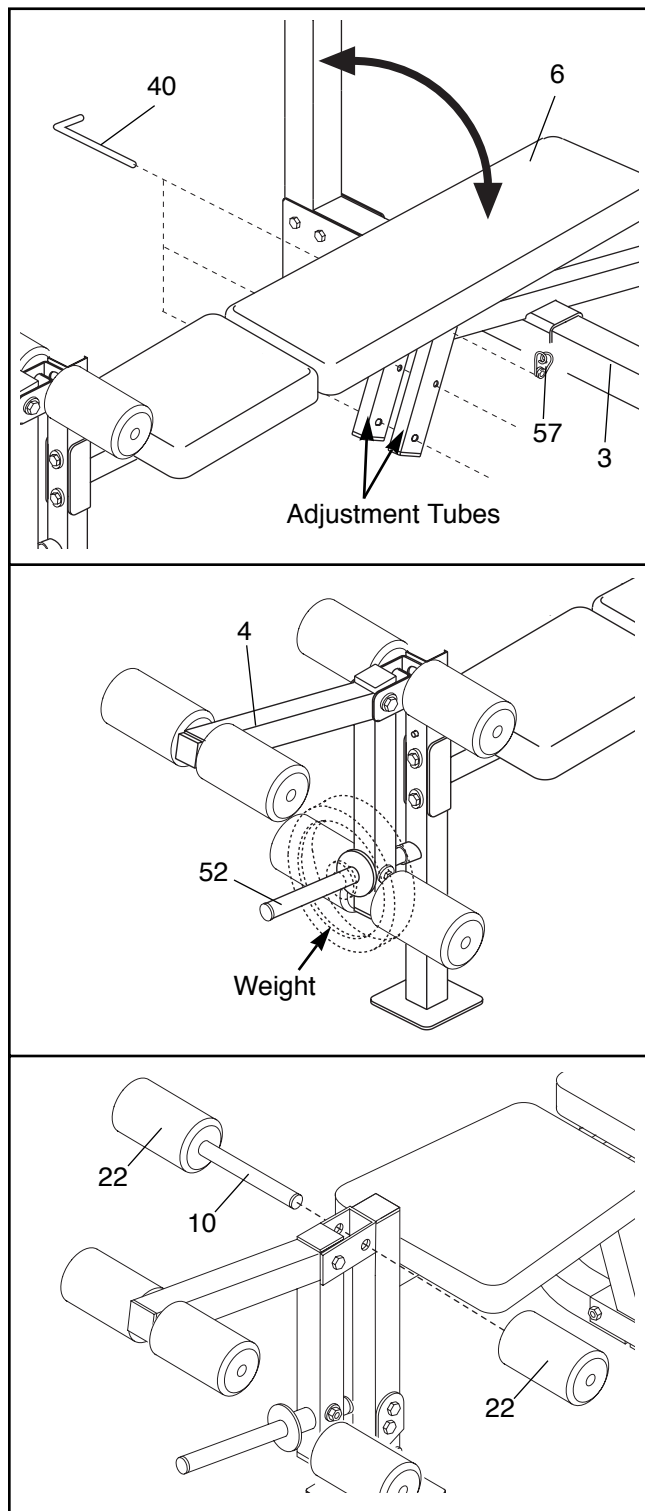
ATTACHING WEIGHTS TO THE LEG LEVER

To use the Leg Lever (4), slide the desired weights (not included) onto the Weight Tube (52). **Note: If you purchased the optional Olympic expansion kit, attach the Olympic sleeve to the Weight Tube as shown in the accessory manual.**

WARNING: Do not place more than 130 pounds on the Leg Lever (4).

REMOVING THE PAD TUBE AND PADS

To do leg curl exercises, the indicated Pad Tube (10) and Foam Pads (22) must be removed. To do this, slide off one of the Foam Pads and then pull the Pad Tube out of the holes.



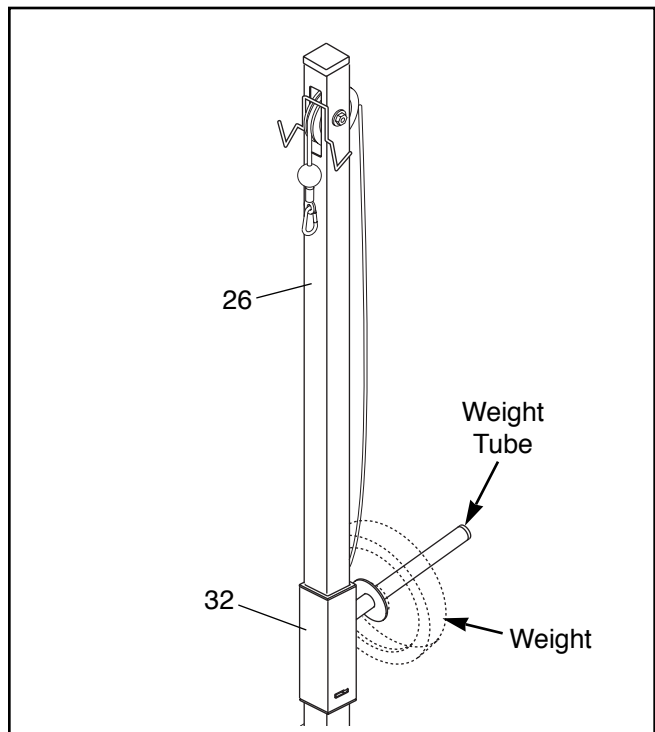
ATTACHING WEIGHTS TO THE LAT TOWER

To use the Lat Tower (26), slide the desired amount of weight (not included) onto the weight tube on the Weight Carriage (32).

WARNING: Do not place more than 130 pounds on the Weight Carriage (32).

When performing an exercise while sitting with your back to the Lat Tower (26), make sure there is plenty of space between your back and the Weight Carriage (32).

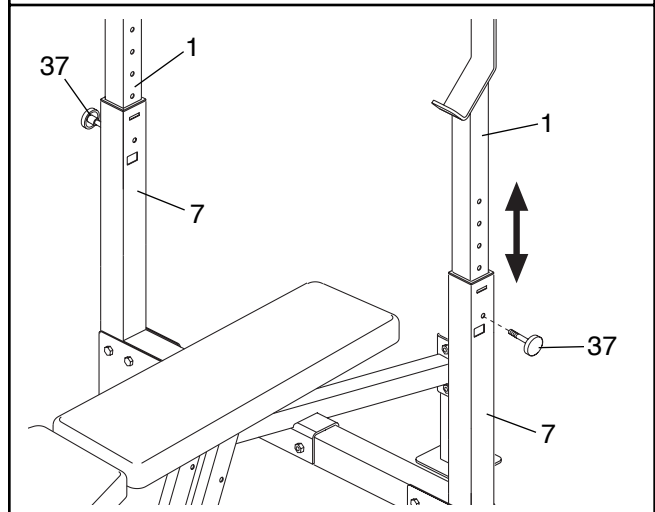
Always lower the Weight Carriage (32) in a controlled manner; never let the Weight Carriage drop.



ADJUSTING THE UPRIGHTS

The Uprights (1) can be set at five heights for different exercises. To adjust the height, remove the M10 x 67mm Adjustment Knobs (37) from both Uprights and Upright Bases (7). Slide the Uprights to the desired position and re-attach the Adjustment Knobs.

WARNING: Always set both Uprights (1) at the same height. Make sure that the Adjustment Knobs (37) are inserted completely and tightened into the Uprights before beginning any exercise.

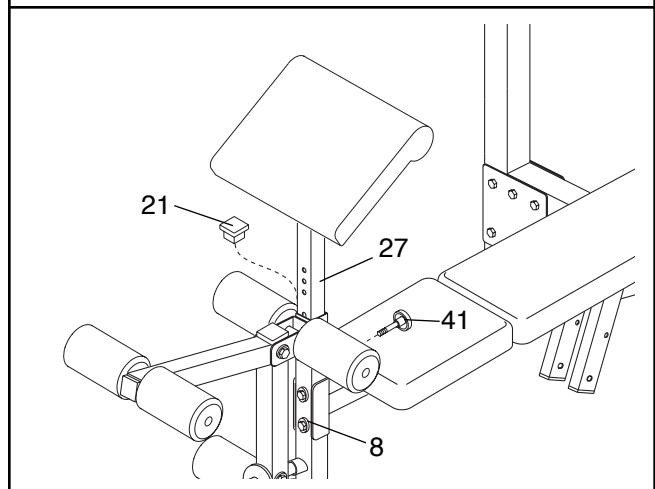


ATTACHING THE CURL POST

Note: When the Curl Post (27) is not in use, the 45mm Square Inner Cap (21) should be inserted into the Front Leg (8).

For some exercises, the Curl Post (27) must be attached to the weight bench.

Slide the Curl Post (27) into the Front Leg (8). Align one of the adjustment holes in the Curl Post with the adjustment hole in the Front Leg. Tighten the M10 x 48mm Adjustment Knob (41) into the adjustment hole in the Front Leg. **Make sure to fully tighten the Adjustment Knob.**



Exercise Guidelines

THE FOUR BASIC TYPES OF WORKOUTS

• Muscle Building

In order to increase the size and strength of your muscles, you must push your muscles to a high percentage of their capacity. You must also progressively increase the intensity of your exercise so that your muscles will continually adapt and grow. Each individual exercise can be tailored to the proper intensity level by changing the amount of weight used, or the number of repetitions or sets performed. (A "repetition" is one complete cycle of an exercise, such as one sit-up. A "set" is a series of repetitions performed consecutively.)

The proper amount of weight for each exercise depends upon the individual user. It is up to you to gauge your limits. Select the amount of weight that you think is right for you. Begin with 3 sets of 8 repetitions for each exercise that you perform. Rest for 3 minutes after each set. When you can complete 3 sets of 12 repetitions without difficulty, increase the amount of weight.

• Toning

To tone your muscles, you must push your muscles to a moderate percentage of their capacity. Select a moderate amount of weight and increase the number of repetitions in each set. Complete as many sets of 15 to 20 repetitions as possible without discomfort. Rest for 1 minute after each set. Work your muscles by completing more sets rather than by using high amounts of weight.

• Weight Loss

To lose weight, use a low amount of weight and increase the number of repetitions in each set. Exercise for 20 to 30 minutes, resting for a maximum of 30 seconds between sets.

• Cross Training

In the pursuit of a complete and well-balanced fitness program, many have found that cross training is the answer. We recommend that on Monday, Wednesday and Friday, you plan weight training workouts. On Tuesday and Thursday, plan 20 to 30 minutes of aerobic exercise, such as cycling, running or swimming. Rest from both weight training and aerobic exercise for at least one full day each week to give your body time to regenerate. By combining weight training with aerobic exercise, you can reshape and strengthen your body, plus develop a stronger heart and lungs.

PERSONALIZING YOUR EXERCISE PROGRAM

We have not specified an exact length of time for each workout, or a specific number of repetitions or sets for each exercise. It is very important to avoid overdoing it during the first few months of your exercise program, and to progress at your own pace. If you experience pain or dizziness at any time while exercising, stop immediately and begin to cool down. Find out what is wrong before continuing. Remember that adequate rest and a proper diet are also important.

WARMING UP

Begin each workout with 5 to 10 minutes of light stretching and exercise to warm up. Warming up prepares your body for exercise by increasing circulation, raising your body temperature and delivering more oxygen to your muscles.

WORKING OUT

Each workout should include 6 to 10 different exercises. Select exercises for every major muscle group, with emphasis on the areas that you want to develop the most. To give balance and variety to your workouts, vary the exercises from workout to workout.

Schedule your workouts for the time of day when your energy level is the highest. Each workout should be followed by at least one day of rest. Once you find the schedule that is right for you, stick with it.

EXERCISE FORM

In order to obtain the greatest benefits from exercising, it is essential to maintain proper form.

Maintaining proper form means moving through the full range of motion for each exercise, and moving only the appropriate parts of the body. Exercising in an uncontrolled manner will leave you feeling exhausted. On the exercise poster accompanying this manual, you will find photographs showing the correct form for several exercises. A description of each exercise is also provided, along with a list of the muscles affected. Refer to the muscle chart on page 14 to find the locations of the muscles.

The repetitions in each set should be performed smoothly and without pausing. The exertion stage of each repetition should last about half as long as the return stage. Proper breathing is important. Exhale during the exertion stage of each repetition and inhale during the return stroke; never hold your breath. Rest

for 3 minutes after each set if you are doing a muscle building workout, 1 minute after each set if you are doing a toning workout, and 30 seconds after each set if you are doing a weight loss workout. Plan to spend the first couple of weeks familiarizing yourself with the equipment and learning the proper form for each exercise.

COOLING DOWN

End each workout with 5 to 10 minutes of stretching. Include stretches for both your arms and legs. Move slowly as you stretch—do not bounce. Ease into each stretch gradually and go only as far as you can without strain. Stretching at the end of each workout is very effective for increasing flexibility.

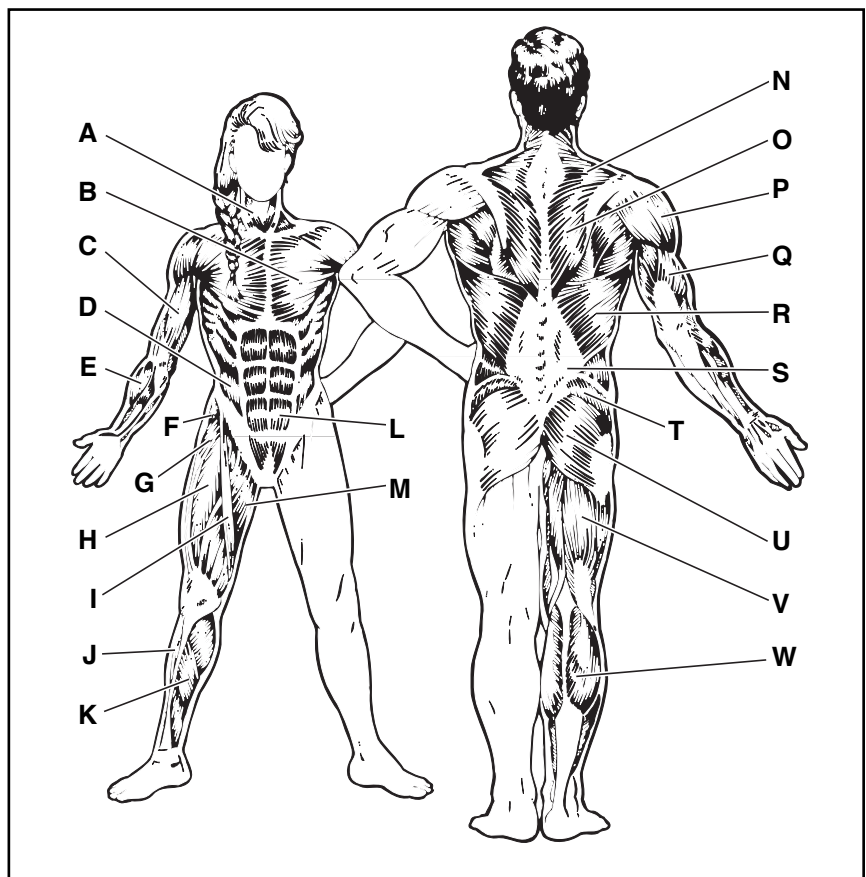
STAYING MOTIVATED

For motivation, keep a record of each workout. The charts on pages 15 and 16 of this manual can be photocopied and used to schedule and record your workouts. List the date, exercises performed, weight, and numbers of sets and repetitions completed. Record your weight and key body measurements at the end of every month.

Remember, the key to achieving the greatest results is to make exercise a regular and enjoyable part of your everyday life.

MUSCLE CHART

- A. Sternomastoid (neck)
- B. Pectoralis Major (chest)
- C. Biceps (front of arm)
- D. Obliques (waist)
- E. Brachioradials (forearm)
- F. Hip Flexors (upper thigh)
- G. Abductor (outer thigh)
- H. Quadriceps (front of thigh)
- I. Sartorius (front of thigh)
- J. Tibialis Anterior (front of calf)
- K. Soleus (front of calf)
- L. Rectus Abdominus (stomach)
- M. Adductor (inner thigh)
- N. Trapezius (upper back)
- O. Rhomboideus (upper back)
- P. Deltoid (shoulder)
- Q. Triceps (back of arm)
- R. Latissimus Dorsi (mid back)
- S. Spinae Erectors (lower back)
- T. Gluteus Medius (hip)
- U. Gluteus Maximus (buttocks)
- V. Hamstring (back of leg)
- W. Gastrocnemius (back of calf)



MONDAY	EXERCISE	WEIGHT	SETS	REPS
Date: _____ / _____ / _____				

TUESDAY AEROBIC EXERCISE

Date: _____ / _____ / _____

WEDNESDAY	EXERCISE	WEIGHT	SETS	REPS
Date: _____ / _____ / _____				

THURSDAY AEROBIC EXERCISE

Date: _____ / _____ / _____

FRIDAY	EXERCISE	WEIGHT	SETS	REPS
Date: _____ / _____ / _____				

Make photocopies of this page for scheduling and recording your workouts.

MONDAY	EXERCISE	WEIGHT	SETS	REPS
Date: / /				

TUESDAY AEROBIC EXERCISE

Date: / /

WEDNESDAY	EXERCISE	WEIGHT	SETS	REPS
Date: / /				

THURSDAY AEROBIC EXERCISE

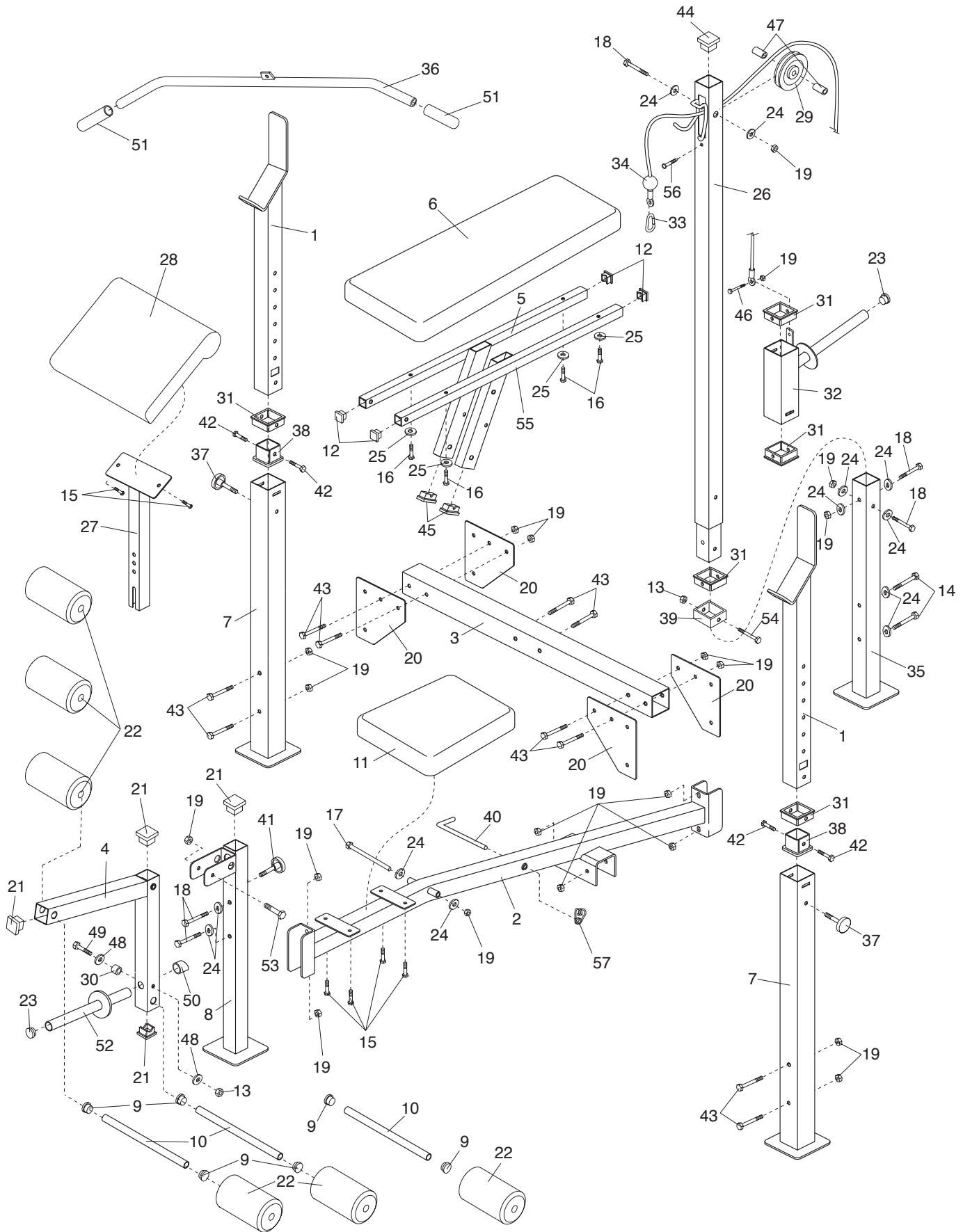
Date: / /

FRIDAY	EXERCISE	WEIGHT	SETS	REPS
Date: / /				

Make photocopies of this page for scheduling and recording your workouts.

Key No.	Qty.	Description	Key No.	Qty.	Description
1	2	Upright	31	5	Carriage Bushing
2	1	Frame	32	1	Weight Carriage
3	1	Crossbar	33	1	Cable Clip
4	1	Leg Lever	34	1	Cable
5	1	Left Backrest Tube	35	1	Lat Tower Base
6	1	Backrest	36	1	Lat Bar
7	2	Upright Base	37	2	M10 x 67mm Adjustment Knob
8	1	Front Leg	38	2	60mm x 50mm Bushing
9	6	3/4" Round Inner Cap	39	1	Carriage Stop
10	3	Pad Tube	40	1	Adjustment Pin
11	1	Seat	41	1	M10 x 48mm Adjustment Knob
12	4	1" Square Inner Cap	42	4	M4 x 16mm Screw
13	2	M8 Nylon Locknut	43	10	M10 x 81mm Bolt
14	2	M10 x 67mm Bolt	44	1	50mm Square Inner Cap
15	6	M6 x 16mm Screw	45	2	1" x 2" Inner Cap
16	4	M6 x 38mm Screw	46	1	M10 x 19mm Bolt
17	1	M10 x 178mm Bolt	47	2	Wide Spacer
18	5	M10 x 65mm Bolt	48	2	M8 Washer
19	20	M10 Nylon Locknut	49	1	M8 x 58mm Bolt
20	4	Support Plate	50	1	1" Angle Cap
21	4	45mm Square Inner Cap	51	2	Handgrip
22	6	Foam Pad	52	1	Weight Tube
23	2	1" Round Inner Cap	53	1	M10 x 72mm Bolt
24	12	M10 Washer	54	1	M8 x 70mm Bolt
25	4	M6 Washer	55	1	Right Backrest Tube
26	1	Lat Tower	56	1	Stop Screw
27	1	Curl Post	57	1	Pin Clip
28	1	Curl Pad	#	1	User's Manual
29	1	Pulley	#	1	Exercise Poster
30	1	Narrow Spacer			

"#" Indicates a non-illustrated part. Specifications are subject to change without notice. See the back cover for information on ordering replacement parts.



Model No. 831.150760

QUESTIONS?

If you find that:

- you need help assembling or operating the WEIDER® PRO 900
- a part is missing
- or you need to schedule repair service

call our toll-free HELPLINE

1-800-736-6879

Monday–Saturday, 7 am–7 pm
Central Time (excluding holidays)

REPLACEMENT PARTS

If parts become worn and need to be replaced, call the following toll-free number

1-800-FON-PART
(1-800-366-7278)

The model number and serial number of your WEIDER® PRO 900 are listed on a decal attached to the frame. See the front cover of this manual to find the location of the decal.

All replacement parts are available for immediate purchase or special order when you visit your nearest SEARS Service Center. To request service or to order parts by telephone, call the toll-free numbers listed at the left.

When requesting help or service, or ordering parts, please be prepared to provide the following information:

- The MODEL NUMBER of the product (831.150760)
- The NAME of the product (WEIDER® PRO 900 weight bench)
- The PART NUMBER of the PART (see the PART LIST and the EXPLODED DRAWING on pages 18 and 19 of this manual)
- The DESCRIPTION of the PART (see the PART LIST and the EXPLODED DRAWING on pages 18 and 19 of this manual).

SEARS, ROEBUCK AND CO., HOFFMAN ESTATES, IL 60179

Full 90 Day Warranty

For 90 days from the date of purchase, if failure occurs due to defect in material or workmanship in this SEARS WEIGHT BENCH EXERCISER, contact the nearest SEARS Service Center throughout the United States and SEARS will repair or replace the WEIGHT BENCH EXERCISER, free of charge.

This warranty does not apply when the WEIGHT BENCH EXERCISER is used commercially or for rental purposes.

This warranty gives you specific legal rights, and you may also have other rights which vary from state to state.

SEARS, ROEBUCK AND CO., DEPT. 817WA, HOFFMAN ESTATES, IL 60179

Free Manuals Download Website

<http://myh66.com>

<http://usermanuals.us>

<http://www.somanuals.com>

<http://www.4manuals.cc>

<http://www.manual-lib.com>

<http://www.404manual.com>

<http://www.luxmanual.com>

<http://aubethermostatmanual.com>

Golf course search by state

<http://golfingnear.com>

Email search by domain

<http://emailbydomain.com>

Auto manuals search

<http://auto.somanuals.com>

TV manuals search

<http://tv.somanuals.com>