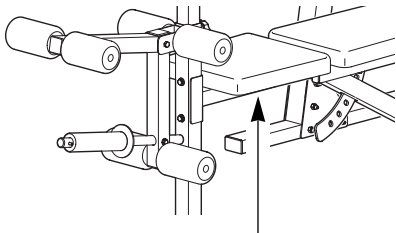


CLUB WEIDER® 350

Model No. WEBE19200

Serial No. _____

Write the serial number in the space above for reference.



Serial Number Decal (under seat)

USER'S MANUAL

QUESTIONS?

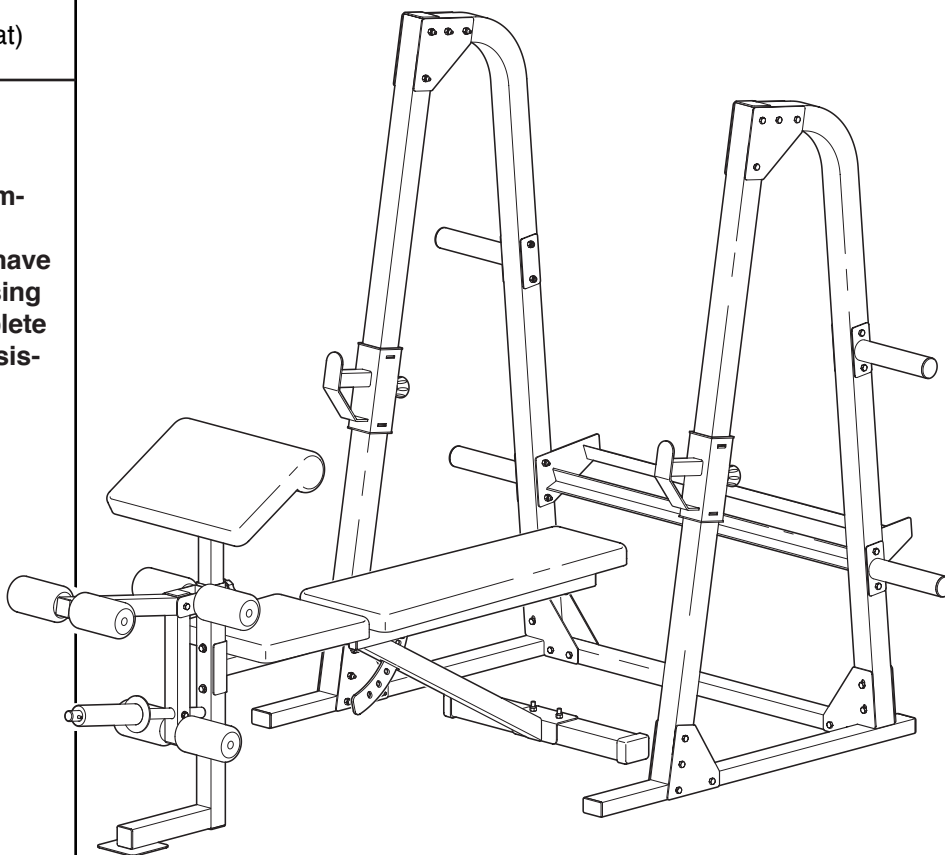
As a manufacturer, we are committed to providing complete customer satisfaction. If you have questions, or if there are missing parts, we will guarantee complete satisfaction through direct assistance from our factory.

TO AVOID DELAYS, PLEASE CALL DIRECT TO OUR TOLL-FREE CUSTOMER HOT LINE. The trained technicians on our customer hot line will provide immediate assistance, free of charge to you.

CUSTOMER HOT LINE:

1-800-999-3756

Mon.-Fri., 6 a.m.-6 p.m. MST



CAUTION

Read all precautions and instructions in this manual before using this equipment. Save this manual for future reference.



Visit our website at

www.weiderfitness.com

new products, prizes,
fitness tips, and much more!

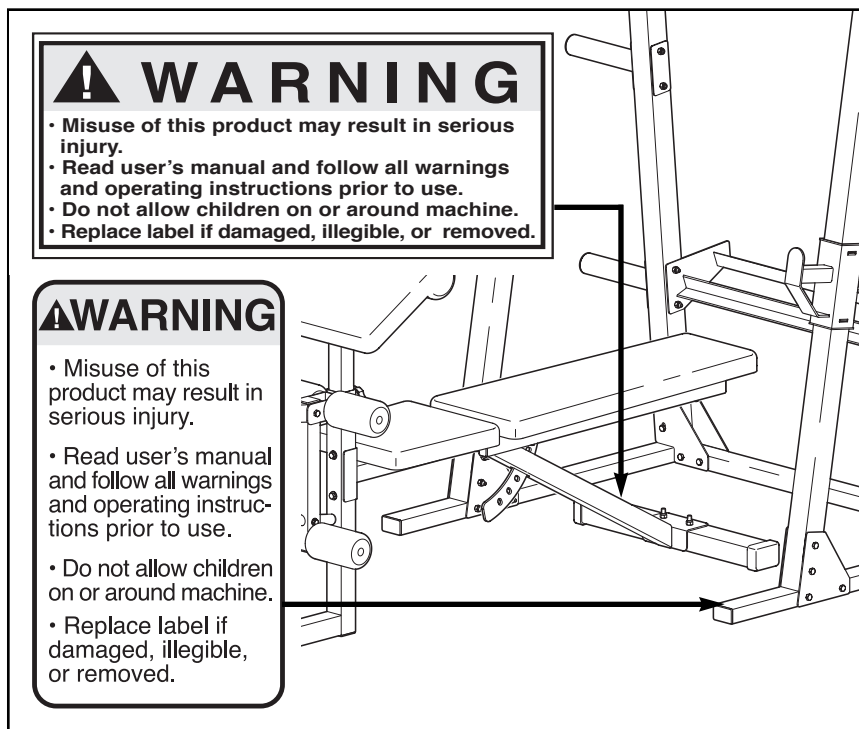
Table of Contents

Warning Decal Placement	2
Important Precautions	3
Before You Begin	4
Part Identification Chart	5
Assembly	6
Adjusting the Weight Bench	12
Exercise Guidelines	14
Ordering Replacement Parts	Back Cover
Limited Warranty	Back Cover

Note: A Part List and an Exploded Drawing are attached in the center of this manual. Remove the Part List and Exploded Drawing before beginning assembly.

Warning Decal Placement

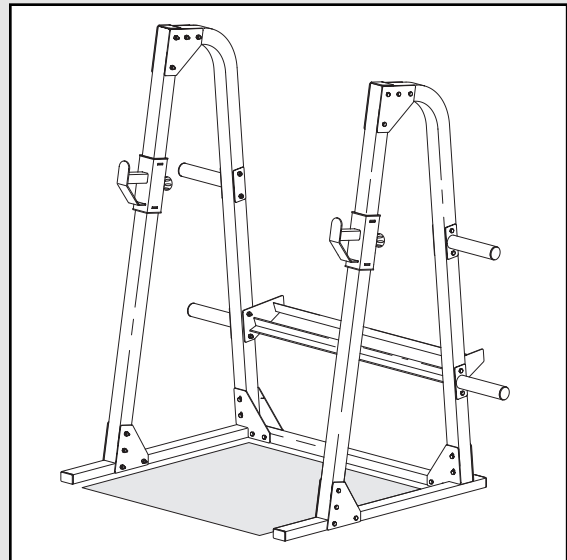
The decals shown at the right have been placed on the weight bench in the indicated locations. If a decal is missing or illegible, please call our Customer Service Department toll-free at 1-800-999-3756, Monday through Friday, 6 a.m. until 6 p.m. Mountain Time, to order a free replacement decal. Apply the replacement decal in the location shown.



Important Precautions

⚠️ WARNING: To reduce the risk of serious injury, read the following important precautions before using the weight bench.

1. Read all instructions in this manual before using the weight bench. Use the weight bench only as described in this manual.
2. It is the responsibility of the owner to ensure that all users of the weight bench are adequately informed of all precautions.
3. The weight bench is intended for home use only. Do not use the weight bench in any commercial, rental or institutional setting.
4. Use the weight bench only on a level surface. Cover the floor beneath the weight bench for protection.
5. Inspect and tighten all parts each time you use the weight bench. Replace any worn parts immediately.
6. Keep children under 12 and pets away from the weight bench at all times.
7. Keep hands and feet away from moving parts.
8. Always wear athletic shoes for foot protection while exercising.
9. Always make sure there is an equal amount of weight on each side of your barbell.
10. Always move the bench out of the way when performing squat exercises.
11. The weight bench is designed to support a maximum of 560 pounds, including the user, a barbell and weights. Do not place more than 310 pounds, including the barbell, on the weight rests. Do not place more than 150 pounds on the leg lever for normal use.
12. Always set both weight rests at the same height.
13. Always secure the weights with the weight clips when you have mounted them on your barbell, leg lever or curl barbell.
14. When performing standing exercises, stand inside the area that is shaded in the drawing below. Always move the bench when performing standing exercises.
15. Always exercise with a partner. When you are performing bench press exercises, squat exercises, or toe raise exercises, your partner should stand behind you to catch the barbell if you cannot complete a repetition.
16. If you feel pain or dizziness at any time while exercising, stop immediately and begin cooling down.



⚠️ WARNING: Before beginning this or any exercise program, consult your physician. This is especially important for persons over the age of 35 or persons with pre-existing health problems. Read all instructions before using. ICON assumes no responsibility for personal injury or property damage sustained by or through the use of this product.

Before You Begin

Thank you for selecting the versatile CLUB WEIDER® 350 weight bench. The CLUB WEIDER® 350 is designed to be used with your weight set (not included) to help you develop every major muscle group of the body. Whether your goal is a shapely figure, dramatic muscle size and strength, or a healthier cardiovascular system, the CLUB WEIDER® 350 will help you achieve the specific results you want.

For your benefit, read this manual carefully before using the CLUB WEIDER® 350 weight bench. If you have additional questions, please call our Customer

Service Department toll-free at 1-800-999-3756, Monday through Friday, 6 a.m. until 6 p.m. Mountain Time (excluding holidays). To help us assist you, please note the product model number and serial number before calling. The model number is WEBE19200. The serial number can be found on a decal attached to the weight bench (see the front cover of this manual).

Before reading further, please review the drawing below and familiarize yourself with the parts that are labeled.

Note: The terms “right side” and “left side” are determined relative to a person sitting on the bench; they do not correspond to right and left on the drawings in the manual.

Right Side

Weight Rest

Curl Pad

Seat

Leg Lever

Weight Tube

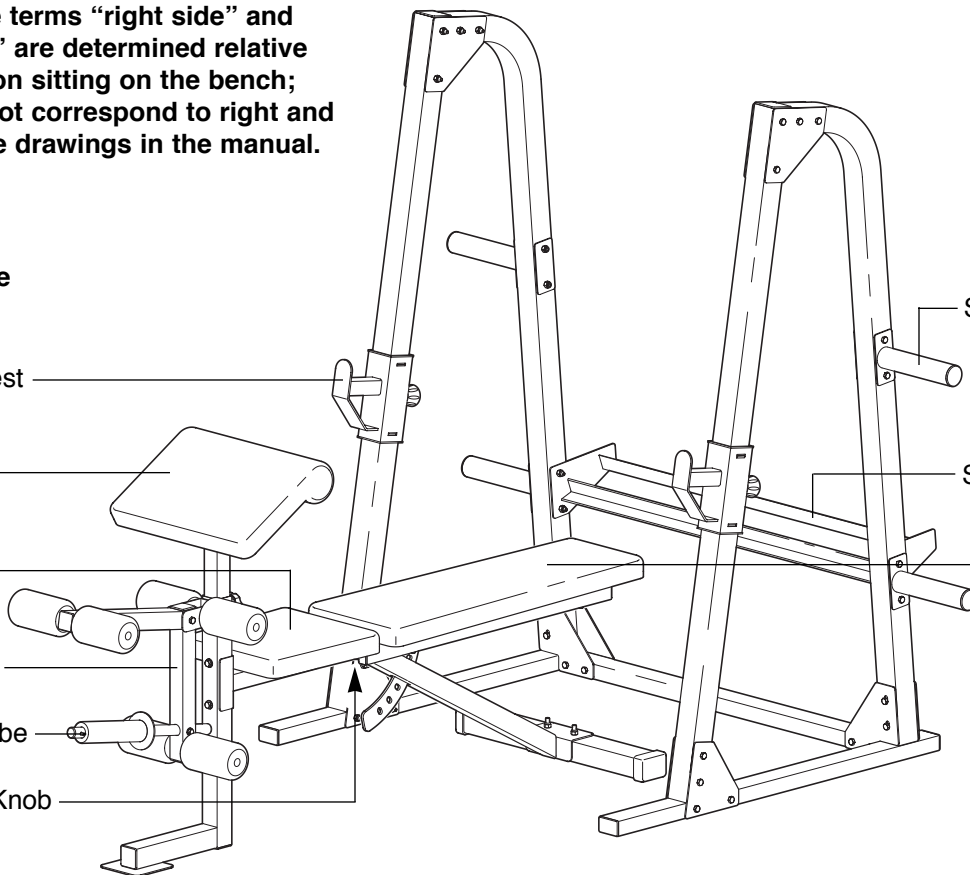
Backrest Knob

Left Side

Weight Storage Tube

Dumbbell Storage Rack

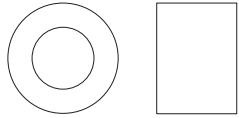
Backrest



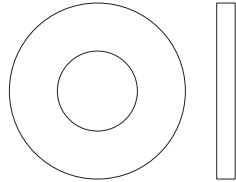
Part Identification Chart—Model No. WEBE19200

R0800A

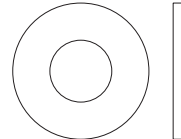
Refer to the drawings below to identify small parts used in assembly. The number in parentheses below each drawing is the key number of the part, from the Part List in the center of this manual. The number following the key number is the quantity needed for assembly. **Note: Some small parts may have been pre-attached. If a part is not in the parts bag, check to see if it has been pre-attached.**



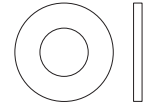
10mm Spacer (48)-1



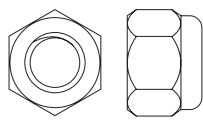
M10 Washer (6)-4



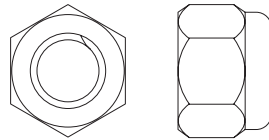
M8 Flat Washer (50)-2



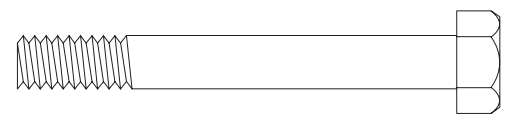
M6 Washer (30)-4



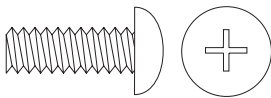
M8 Nylon Locknut (51)-1



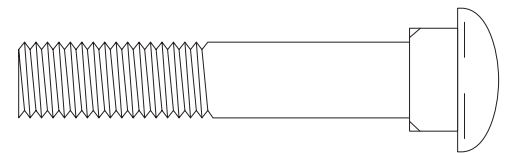
M10 Nylon Locknut (11)-40



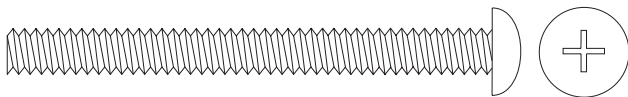
M8 x 58mm Bolt (49)-1



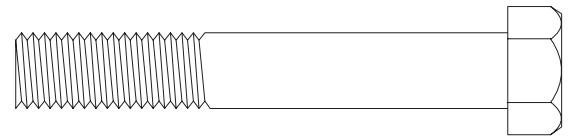
M6 x 16mm Screw (3)-6



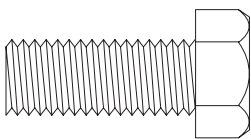
M10 x 58mm Carriage Bolt (52)-2



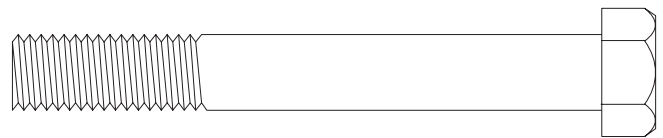
M6 x 64mm Screw (4)-4



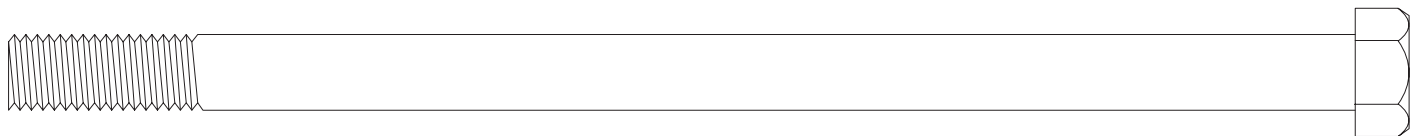
M10 x 65mm Bolt (46)-3



M10 x 22mm Bolt (53)-2



M10 x 78mm Bolt (33)-32



M10 x 180mm Bolt (22)-1

Assembly




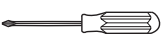
Make Things Easier

Everything in this manual is designed to ensure that the weight bench can be assembled successfully by anyone. However, the weight bench has many parts, and the assembly process will take time. Setting aside plenty of time will make the process go more smoothly.

- **Assembly requires two people.**
- Place all parts in a cleared area and remove the packing materials. Do not dispose of the packing materials until assembly is completed.
- Tighten all parts as you assemble them, unless instructed to do otherwise.
- For help identifying small parts, use the PART IDENTIFICATION CHART on page 5.

- As you assemble the weight bench, make sure all parts are oriented as shown in the drawings.

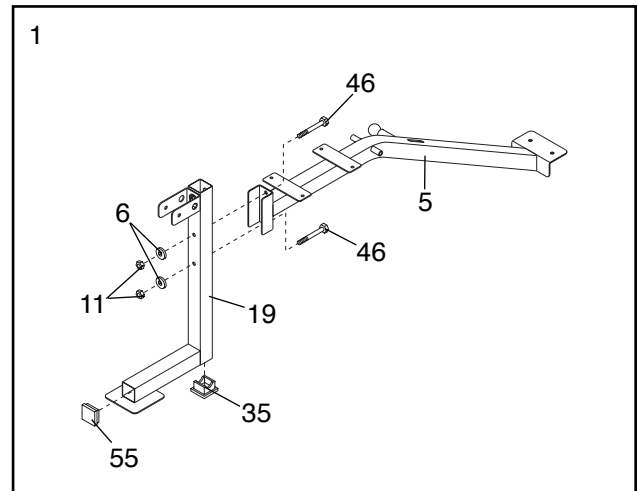
The following tools (not included) are required for assembly:

- **Two adjustable wrenches** 
- **One rubber mallet** 
- **One standard screwdriver** 
- **One phillips screwdriver** 
- **Lubricant, such as grease or petroleum jelly, and soapy water.**

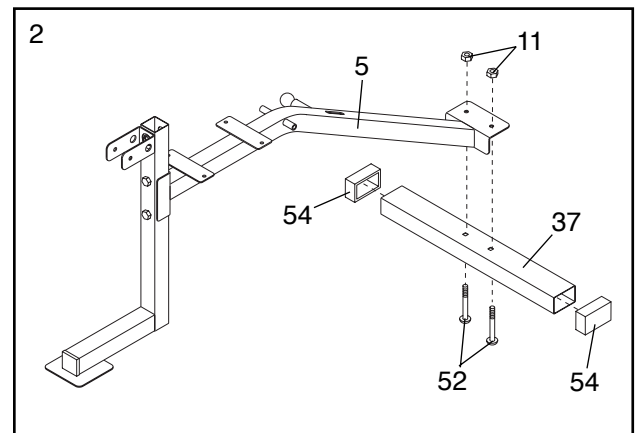
Assembly will be more convenient if you have a socket set, a set of open-end or closed-end wrenches, or a set of ratchet wrenches.

1. Press a 50mm Square Inner Cap (55) into the indicated end of the Front Leg (19). Insert a 50mm Thick Inner Cap (35) into the bottom of the Front Leg.

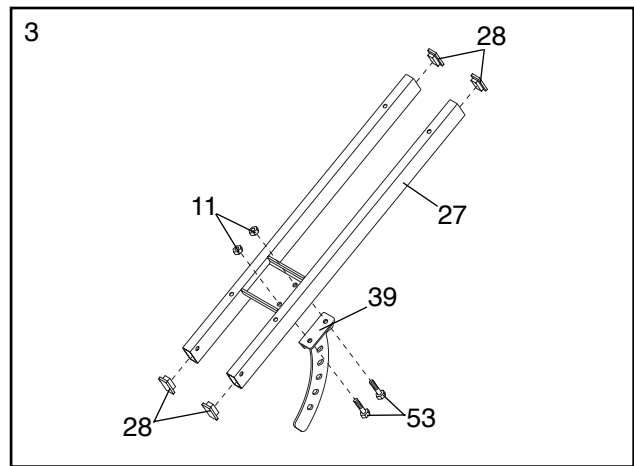
Attach the Front Leg (19) to the Bench Frame (5) using two M10 x 65mm Bolts (46), two M10 Washers (6), and two M10 Nylon Locknuts (11).



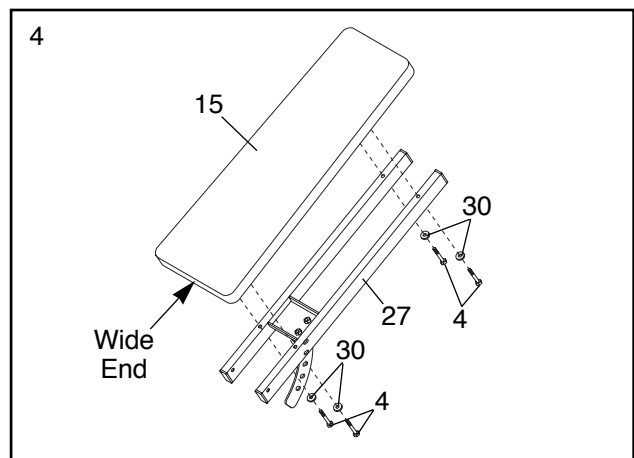
2. Press a 50mm Square Outer Cap (54) onto each end of the Stabilizer (37). Attach the Bench Frame (5) to the Stabilizer using two M10 x 58mm Carriage Bolts (52) and two M10 Nylon Locknuts (11).



- Press four 25mm x 51mm Inner Caps (28) into the ends of the Backrest Frame (27). Attach the Backrest Bracket (39) to the Backrest Frame using two M10 x 22mm Bolts (53) and two M10 Nylon Locknuts (11).

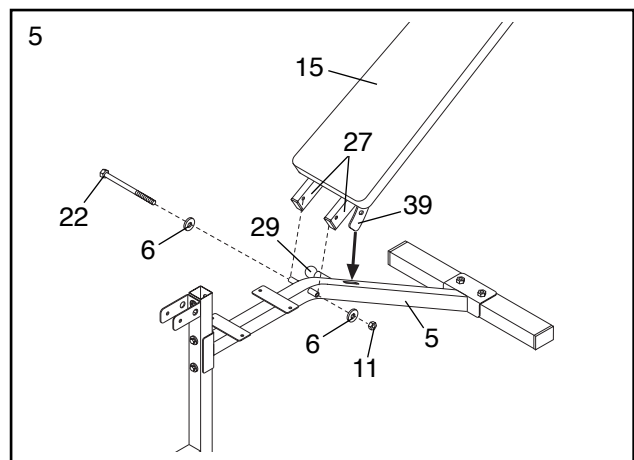


- Attach the Backrest (15) to the Backrest Frame (27) with four M6 x 64mm Screws (4) and four M6 Washers (30). **Make sure that the Backrest is turned as shown.**

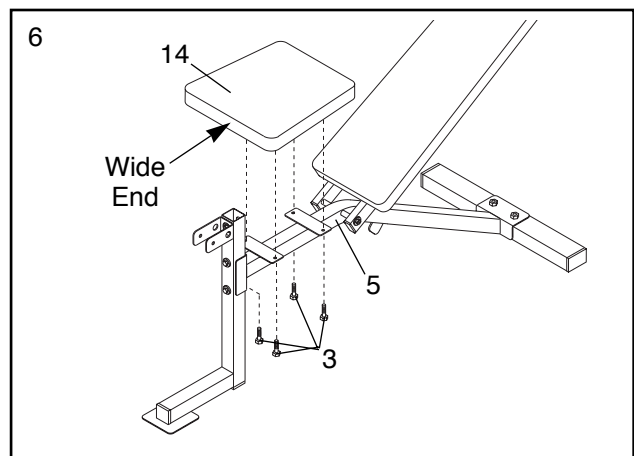


- Lubricate an M10 x 180mm Bolt (22). Attach the Backrest Frame (27) to the Bench Frame (5) using the Bolt, two M10 Washers (6), and an M10 Nylon Locknut (11). Slide the Backrest Bracket (39) into the indicated slot on the Bench Frame (5). **Do not overtighten the Nylon Locknut; the Backrest must be able to pivot freely.**

To adjust the position of the Backrest, pull the Backrest Knob (29) outward and move the Backrest up or down. Slowly release the Backrest Knob, making sure that the pin on the Backrest Knob is inserted through one of the holes in the Backrest Bracket (39).

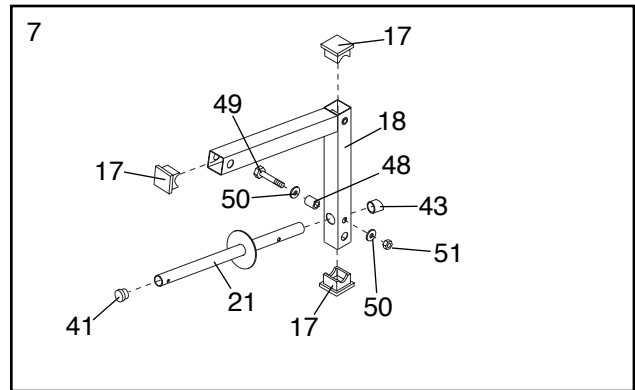


- Attach the Seat (14) to the Bench Frame (5) with four M6 x 16mm Screws (3). **Make sure that the Seat is turned as shown.**

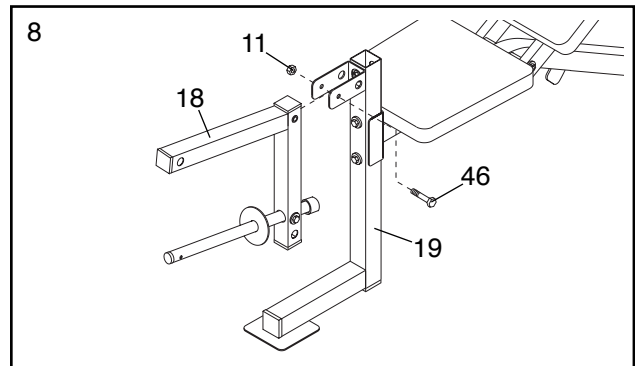


- Press three 45mm Square Inner Caps (17) into the Leg Lever (18) as shown. Press a 25mm Round Inner Cap (41) into the indicated end of the Weight Tube (21).

Attach the Weight Tube (21) to the Leg Lever (18) with an M8 x 58mm Bolt (49), two M8 Flat Washers (50), a 10mm Spacer (48), and an M8 Nylon Locknut (51). Press an Angled Outer Cap (43) onto the end of the Weight Tube.

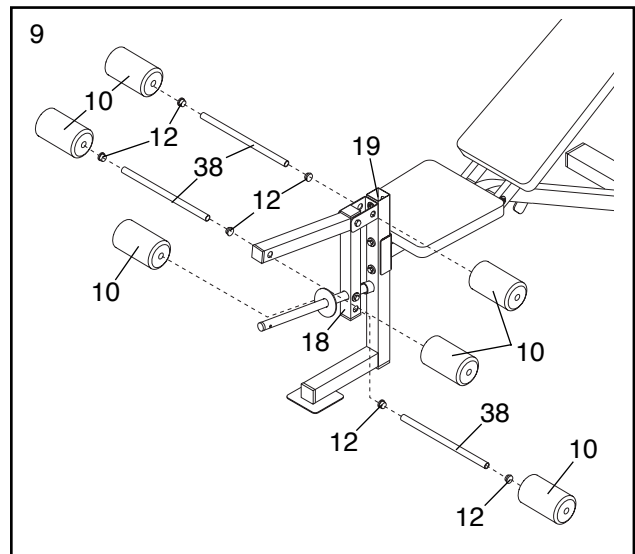


- Lubricate an M10 x 65mm Bolt (46). Attach the Leg Lever (18) to the Front Leg (19) with the Bolt and an M10 Nylon Locknut (11). **Do not overtighten the Nylon Locknut; the Leg Lever must be able to pivot freely.**

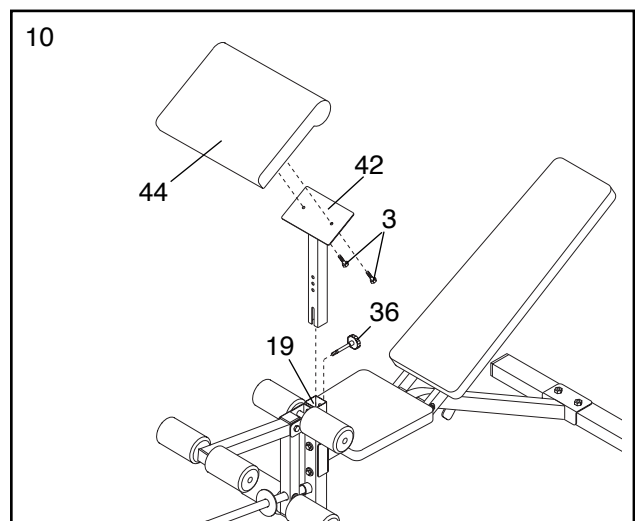


- Press two 3/4" Round Inner Caps (12) into each of the three Pad Tubes (38). Slide the Pad Tubes through the indicated holes in the Front Leg (19) and the Leg Lever (18).

Slide two Foam Pads (10) onto each Pad Tube (38).

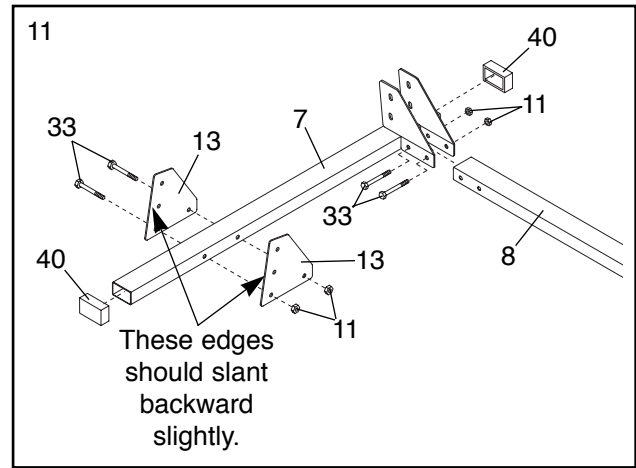


- Attach the Curl Pad (44) to the Curl Post (42) with two M6 x 16mm Screws (3). Insert the Curl Post into the Front Leg (19) and secure it with the Curl Post Knob (36).



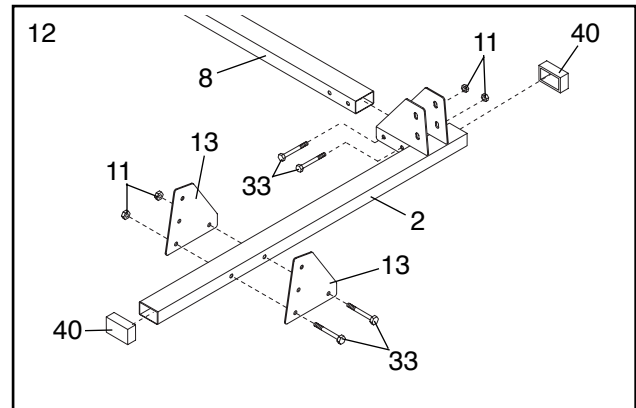
11. Press a 30mm x 60mm Outer Cap (40) onto each end of the Right Base (7). Attach the Rear Base (8) to the Right Base with two M10 x 78mm Bolts (33) and two M10 Nylon Locknuts (11). **Do not tighten the Nylon Locknuts yet.**

Attach two Lower Support Plates (13) to the Right Base (7) with two M10 x 78mm Bolts (33) and two M10 Nylon Locknuts (11). **Do not tighten the Nylon Locknuts yet. Note: Do not confuse the Lower Support Plates with the Upper Support Plates (not shown); when the Lower Support Plates are attached to the Right Base, the edges with three holes will slant backward slightly.**



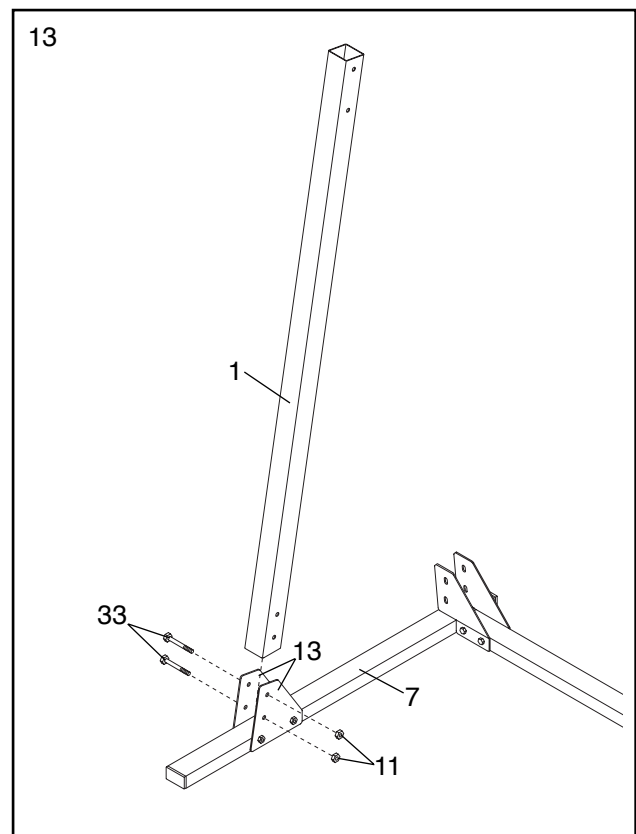
12. Press a 30mm x 60mm Outer Cap (40) onto each end of the Left Base (2). Attach the Rear Base (8) to the Left Base with two M10 x 78mm Bolts (33) and two M10 Nylon Locknuts (11). **Do not tighten the Nylon Locknuts yet.**

Attach two Lower Support Plates (13) to the Left Base (2) with two M10 x 78mm Bolts (33) and two M10 Nylon Locknuts (11). **Do not tighten the Nylon Locknuts yet.**



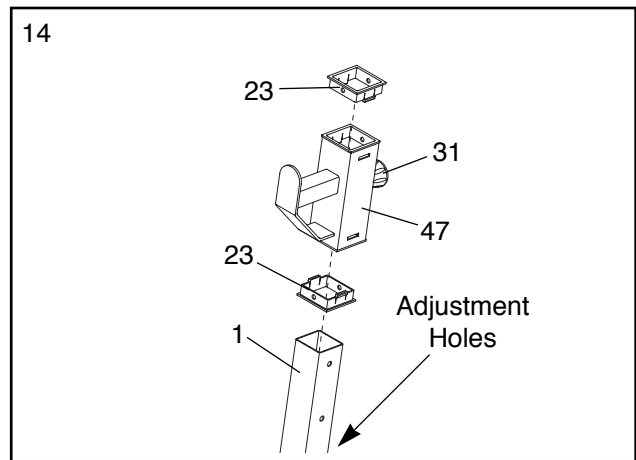
13. Attach one of the Front Uprights (1) to the Lower Support Plates (13) on the Right Base (7) with two M10 x 78mm Bolts (33) and two M10 Nylon Locknuts (11). **Do not tighten the Nylon Locknuts yet.** Note: The Front Upright will slant backward slightly.

Attach the other Front Upright (1) to the Left Base (2, not shown) in the same manner.



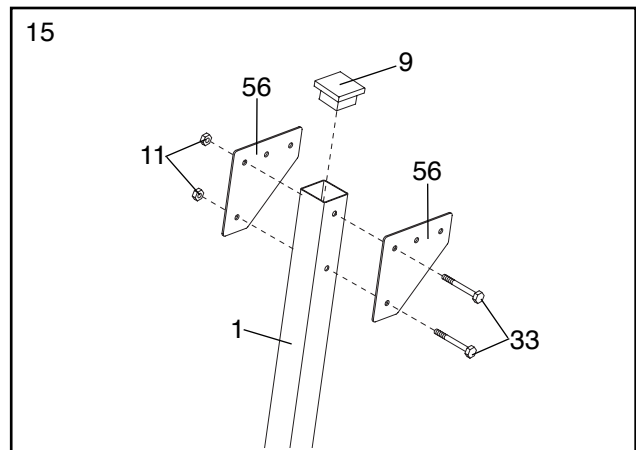
14. Press two Weight Rest Bushings (23) into a Weight Rest (47) as shown. Pull the Weight Rest Knob (31) and slide the Weight Rest onto one of the Front Uprights (1). Hold the Weight Rest at the desired height and tighten the Weight Rest Knob into one of the adjustment holes in the Front Upright.

Attach the other Weight Rest (47) to the other Front Upright (1) in the same way. **Make sure that both Weight Rests are at the same height.**



15. Press a 60mm Square Inner Cap (9) into one of the Front Uprights (1). Attach two Upper Support Plates (56) to the Front Upright with two M10 x 78mm Bolts (33) and two M10 Nylon Locknuts (11). **Do not tighten the Nylon Locknuts yet.**

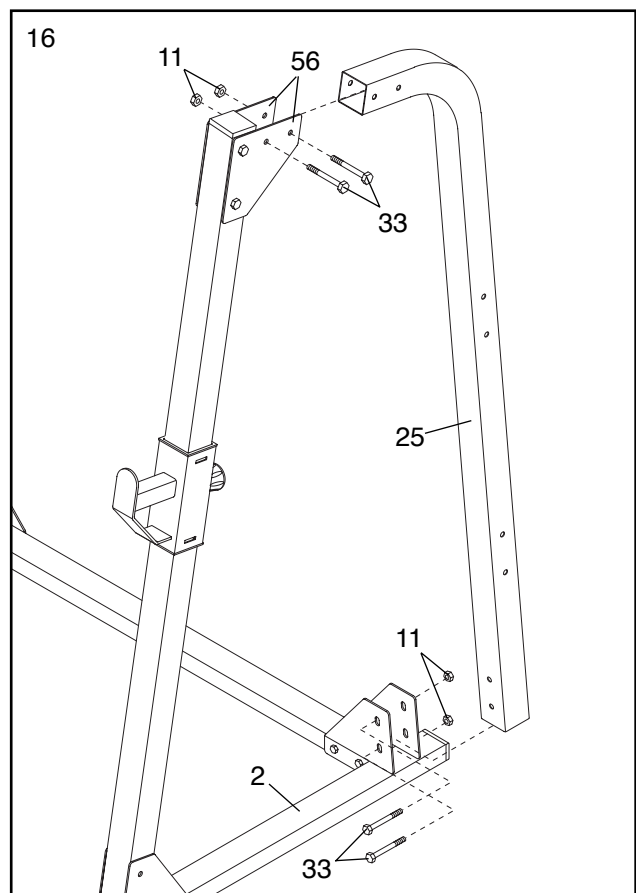
Repeat this step with the other Front Upright (1, not shown).



16. Attach a Rear Upright (25) to the Left Base (2) and the indicated Upper Support Plates (56) with four M10 x 78mm Bolts (33) and four M10 Nylon Locknuts (11). **Do not tighten the Nylon Locknuts yet.**

Attach the other Rear Upright (25) to the Right Base (7, not shown) and the other Upper Support Plates (56) in the same manner.

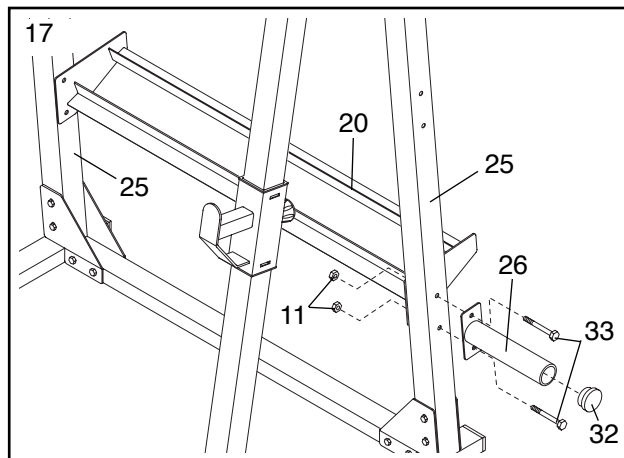
Tighten all nylon locknuts used in steps 11 through 16.



17. Have another person hold the Crossbar (20) between the Rear Uprights (25) in the indicated position. **Make sure that the Crossbar is turned exactly as shown.**

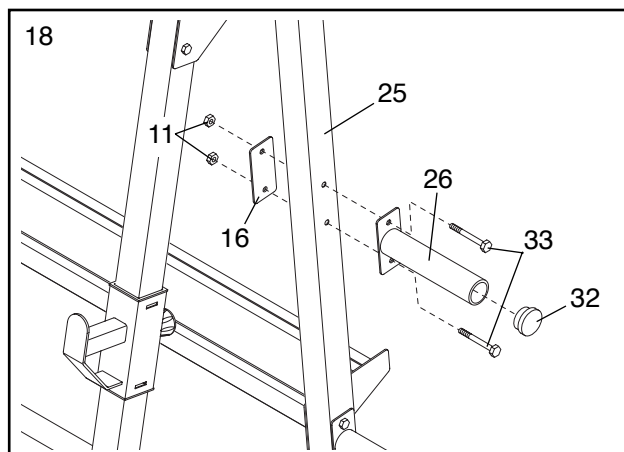
Press a 51mm Round Inner Cap (32) into a Weight Storage Tube (26). Attach the Weight Storage Tube and one end of the Crossbar (20) to one of the Rear Uprights (25) using two M10 x 78mm Bolts (33) and two M10 Nylon Locknuts (11).

Attach a Weight Storage Tube (26) and the other end of the Crossbar (20) to the other Rear Upright (25) in the same way.



18. Press a 51mm Round Inner Cap (32) into a Weight Storage Tube (26). Attach the Weight Storage Tube to one of the Rear Uprights (25) using two M10 x 78mm Bolts (33), a Small Support Plate (16), and two M10 Nylon Locknuts (11).

Attach the remaining Weight Storage Tube (26) to the other Rear Upright (25) in the same way.



19. **Make sure all parts are properly tightened before you use the weight bench. The use of all remaining parts will be explained in Adjusting the Weight Bench, starting on page 12.**

Adjusting the Weight Bench

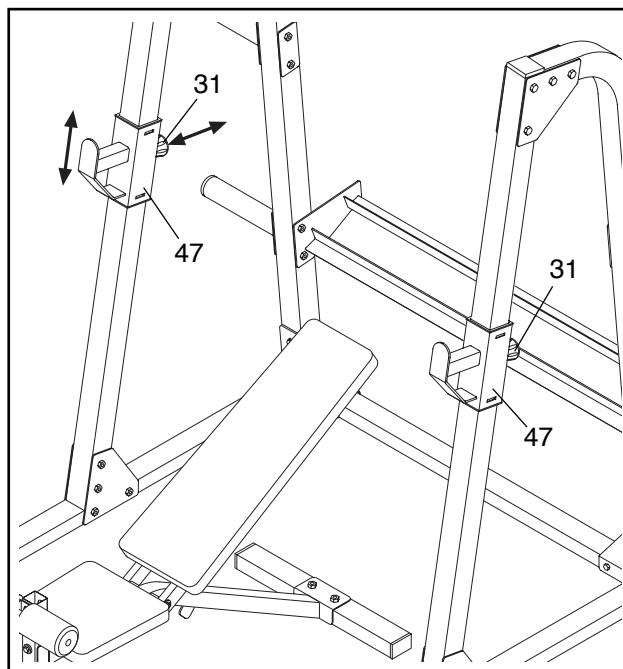
This section explains how to adjust the weight bench. See the EXERCISE GUIDELINES on page 14 for important information on how to get the most benefit from your exercise program. Also, refer to the accompanying exercise poster to see the correct form for each exercise.

Inspect and tighten all parts each time you use the weight bench. Replace any worn parts immediately. The weight bench can be cleaned with a damp cloth and a mild, non-abrasive detergent. Do not use solvents.

POSITIONING THE WEIGHT RESTS

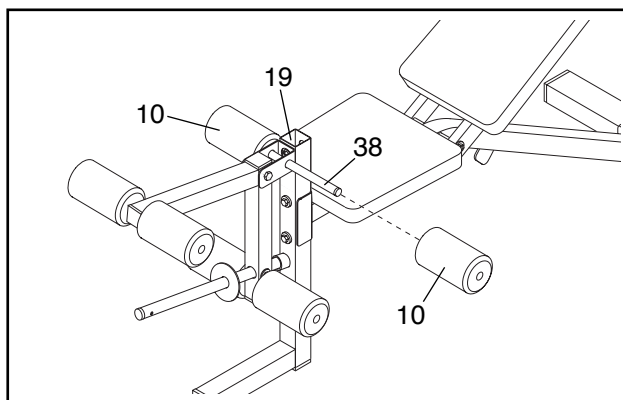
Before beginning an exercise, loosen the Weight Rest Knobs (31) and move the Weight Rests (47) to the appropriate height for the exercise. The selected height should represent the lowest point to which you want your barbell to go during the exercise. Perform the exercise as shown on the accompanying exercise poster. **Note: Make sure the Weight Rest Knobs are tightened into the adjustment holes in the uprights.**

⚠ WARNING: Always set both Weight Rests (47) at the same height.



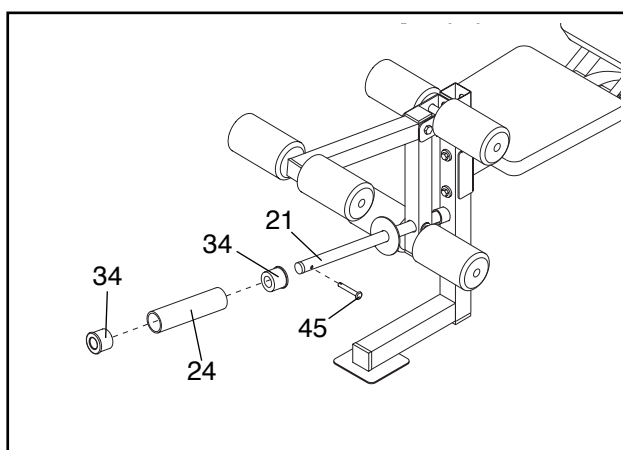
REMOVING THE FOAM PADS

For some exercises, the indicated Foam Pads (10) and Pad Tube (38) should be removed from the Front Leg (19). To do this, slide one of the Foam Pads off the Pad Tube, and then remove the Pad Tube.



ATTACHING THE WEIGHT ADAPTER

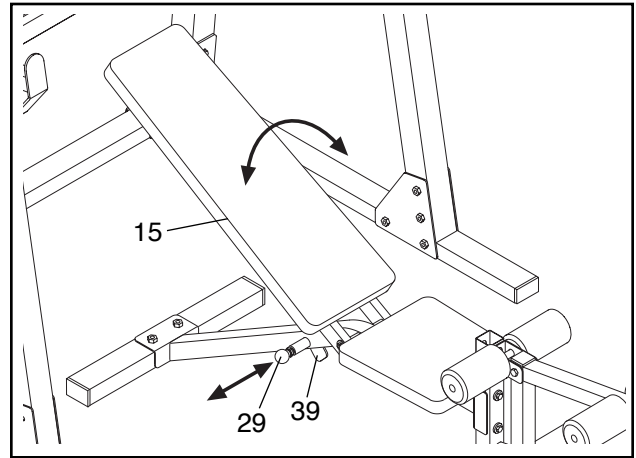
To use your weight bench with Olympic weights, you must attach the Olympic Weight Adapter (24). To do this, press a Weight Adapter Bushing (34) into each end of the Olympic Weight Adapter. Slide the Olympic Weight Adapter onto the Weight Tube (21) and secure it with the Weight Adapter Pin (45).



ADJUSTING THE BACKREST

To adjust the Backrest (15) to any of five positions, pull the Backrest Knob (29) outward and move the Backrest up or down. Slowly release the Backrest Knob, making sure the pin on the Backrest Knob is inserted through one of the holes in the Backrest Bracket (39).

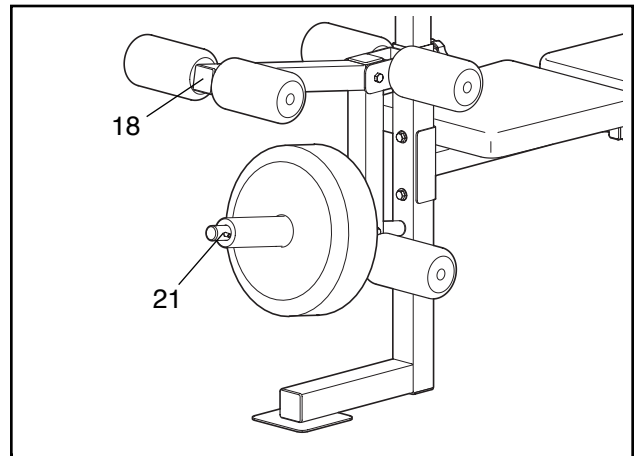
⚠️ WARNING: Always make sure that the Backrest Knob (29) is securely inserted into one of the holes in the Backrest Bracket (39) before using the Backrest (15).



ATTACHING WEIGHTS TO THE LEG LEVER

To use the Leg Lever (18), slide the desired amount of weight (not included) onto the Weight Tube (21).

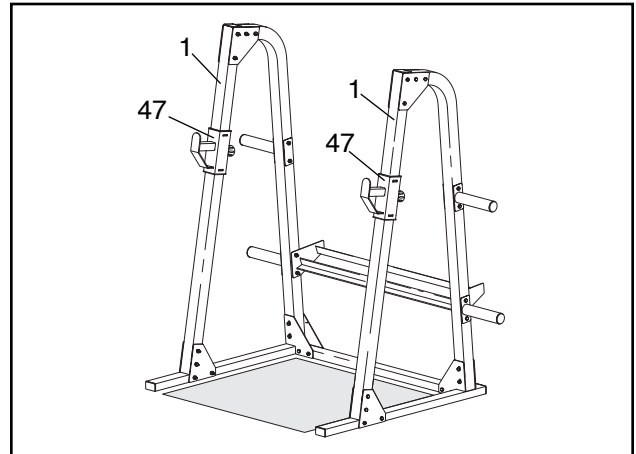
⚠️ WARNING: Do not place more than 150 pounds on the Weight Tube (21).



SETTING UP THE BENCH FOR SQUAT EXERCISES

When performing squat exercises, secure the Weight Rests (47) at an appropriate height on the Front Uprights (1) and move the bench away from the rack.

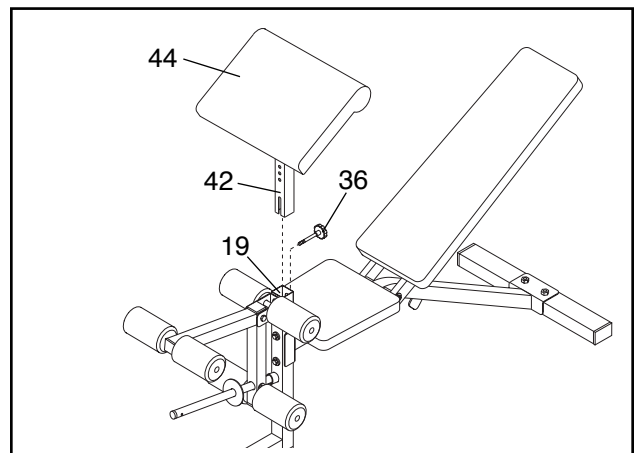
⚠️ WARNING: Always move the bench when you are performing standing exercises in the rack. Stand inside the area that is shaded in the drawing.



ATTACHING THE CURL PAD

For some exercises, the Curl Pad (44) must be attached to the weight bench. Insert the Curl Post (42) into the indicated hole in the Front Leg (19). Align the holes in the Front Leg and the Curl Post. Secure the Curl Post with the Curl Post Knob (36). **Make sure you fully tighten the Curl Post Knob.**

⚠️ WARNING: When the Curl Pad (44) is not in use, store it away from the weight bench so it will not interfere with other exercises.



Exercise Guidelines

THE FOUR BASIC TYPES OF WORKOUTS

Muscle Building

The only way to increase the size and strength of your muscles is to push them close to their maximum capacity. When you progressively increase the intensity of your exercise, your muscles will continually adapt and grow. You can tailor the individual exercise to the proper intensity level in two ways:

- by changing the amount of weight used
- by changing the number of repetitions or sets performed (A “repetition” is one complete cycle of an exercise, such as one sit-up. A “set” is a series of repetitions).

The proper amount of weight for each exercise obviously depends upon the individual user. You must gauge your limits and select the amount of weight that is right for you. Begin with 3 sets of 8 repetitions for each exercise you perform. Rest for 3 minutes after each set. When you can complete 3 sets of 12 repetitions without difficulty, increase the amount of weight.

Toning

You can tone your muscles by pushing them to a moderate percentage of their capacity. Select a moderate amount of weight and increase the number of repetitions in each set. Complete as many sets of 15 to 20 repetitions as possible without discomfort. Rest for 1 minute after each set. Work your muscles by completing more sets rather than by using high amounts of weight.

Weight Loss

To lose weight, use a low amount of weight and increase the number of repetitions in each set. Exercise for 20 to 30 minutes, resting for a maximum of 30 seconds between sets.

Cross Training

Many people desire a complete and well-balanced fitness program, and cross training is a very efficient way to accomplish this. One example of a balanced program is:

- Plan weight training workouts on Monday, Wednesday and Friday.
- Plan 20 to 30 minutes of aerobic exercise, such as cycling, running or swimming on Tuesday and Thursday.
- Rest from both weight training and aerobic exercise for at least one full day each week to give your body time to regenerate.

The combination of weight training and aerobic exercise will reshape and strengthen your body, and develop your heart and lungs.

PERSONALIZING YOUR EXERCISE PROGRAM

Specifying the exact length of time for each workout, as well as the number of repetitions or sets for each exercise, is a highly individual matter. It is very important to avoid overdoing it during the first few months of your exercise program. You should progress at your own pace and be sensitive to your body's signals. If you experience pain or dizziness at any time while exercising, stop immediately and begin cooling down. Find out what is wrong before continuing. Remember that adequate rest and a proper diet are important factors in any exercise program.

WARMING UP

Begin each workout with 5 to 10 minutes of stretching and light exercise to warm up. Warming up prepares your body for more strenuous exercise by increasing circulation, raising your body temperature and delivering more oxygen to your muscles.

WORKING OUT

Each workout should include 6 to 10 different exercises. Select exercises for every major muscle group with emphasis on the areas that you want to develop the most. To give balance and variety to your workouts, vary the exercises from session to session.

Schedule your workouts for the time of day when your energy level is the highest. Each workout should be followed by at least one day of rest. Once you find the schedule that is right for you, stick with it.

EXERCISE FORM

You will gain the greatest benefits from exercising by maintaining proper form. This requires moving through the full range of motion for each exercise and moving only the appropriate parts of the body. Exercising in an uncontrolled manner will leave you feeling exhausted. On the exercise poster accompanying this manual, you will find photographs showing the correct form for several exercises. A description of each exercise is also provided, along with a list of the muscles affected. Refer to the muscle chart on page 15 to find the locations of the muscles.

The repetitions in each set should be performed smoothly and without pausing. The exertion stage of each repetition should last about half as long as the return stage. Proper breathing is important. Exhale during the exertion stage of each repetition and inhale during the return stroke. Never hold your breath.

Rest for a short period of time after each set. The ideal resting periods are:

- Rest for three minutes after each set for a muscle building workout
- Rest one minute after each set for a toning workout
- Rest 30 seconds after each set for a weight loss workout

Plan to spend the first couple of weeks familiarizing yourself with the equipment and learning the proper form for each exercise.

COOLING DOWN

End each workout with 5 to 10 minutes of stretching. Include stretches for both your arms and legs. Move slowly as you stretch and do not bounce. Ease into

each stretch gradually and go only as far as you can without strain. Stretching at the end of each workout is very effective for increasing flexibility.

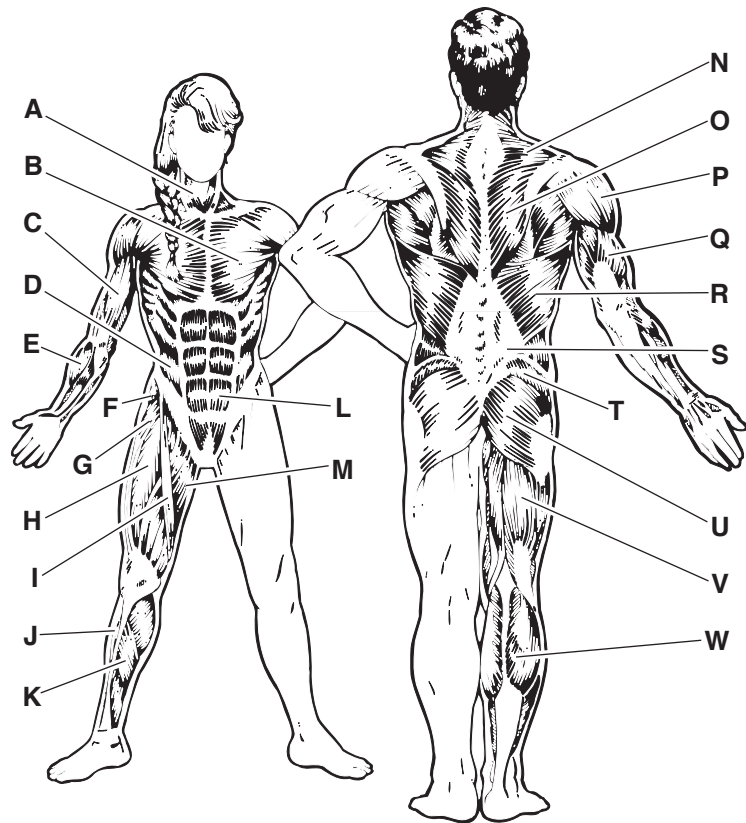
STAYING MOTIVATED

For motivation, keep a record of each workout. List the date, the exercises performed, the weight used, and the numbers of sets and repetitions completed. Record your weight and key body measurements at the end of every month.

Remember, the key to achieving the greatest results is to make exercise a regular and enjoyable part of your everyday life.

MUSCLE CHART

- A. Sternomastoid (neck)
- B. Pectoralis Major (chest)
- C. Biceps (front of arm)
- D. Obliques (waist)
- E. Brachioradials (forearm)
- F. Hip Flexors (upper thigh)
- G. Abductor (outer thigh)
- H. Quadriceps (front of thigh)
- I. Sartorius (front of thigh)
- J. Tibialis Anterior (front of calf)
- K. Soleus (front of calf)
- L. Rectus Abdominus (stomach)
- M. Adductor (inner thigh)
- N. Trapezius (upper back)
- O. Rhomboideus (upper back)
- P. Deltoid (shoulder)
- Q. Triceps (back of arm)
- R. Latissimus Dorsi (mid back)
- S. Spinae Erectors (lower back)
- T. Gluteus Medius (hip)
- U. Gluteus Maximus (buttocks)
- V. Hamstring (back of leg)
- W. Gastrocnemius (back of calf)



Ordering Replacement Parts

To order replacement parts, simply call our Customer Service Department toll-free at 1-800-999-3756, Monday through Friday, 6 a.m. until 6 p.m. Mountain Time (excluding holidays). To help us assist you, please be prepared to give the following information when calling:

- The MODEL NUMBER of the product (WEBE19200)
- The NAME of the product (CLUB WEIDER® 350 weight bench)
- The SERIAL NUMBER of the product (see the front cover of this manual)
- The KEY NUMBER and DESCRIPTION of the desired part(s) (see the PART LIST and the EXPLODED DRAWING in the center of this manual).

Limited Warranty

ICON Health & Fitness, Inc. (ICON), warrants this product to be free from defects in workmanship and material, under normal use and service conditions, for a period of ninety (90) days from the date of purchase. This warranty extends only to the original purchaser. ICON's obligation under this warranty is limited to replacing or repairing, at ICON's option, the product at one of its authorized service centers. All products for which warranty claim is made must be received by ICON at one of its authorized service centers with all freight and other transportation charges prepaid, accompanied by sufficient proof of purchase. All returns must be pre-authorized by ICON. This warranty does not extend to any product or damage to a product caused by or attributable to freight damage, abuse, misuse, improper or abnormal usage or repairs not provided by an ICON authorized service center, products used for commercial or rental purposes, or products used as store display models. No other warranty beyond that specifically set forth above is authorized by ICON.

ICON is not responsible or liable for indirect, special or consequential damages arising out of or in connection with the use or performance of the product or damages with respect to any economic loss, loss of property, loss of revenues or profits, loss of enjoyment or use, costs of removal, installation or other consequential damages of whatsoever nature. Some states do not allow the exclusion or limitation of incidental or consequential damages. Accordingly, the above limitation may not apply to you.

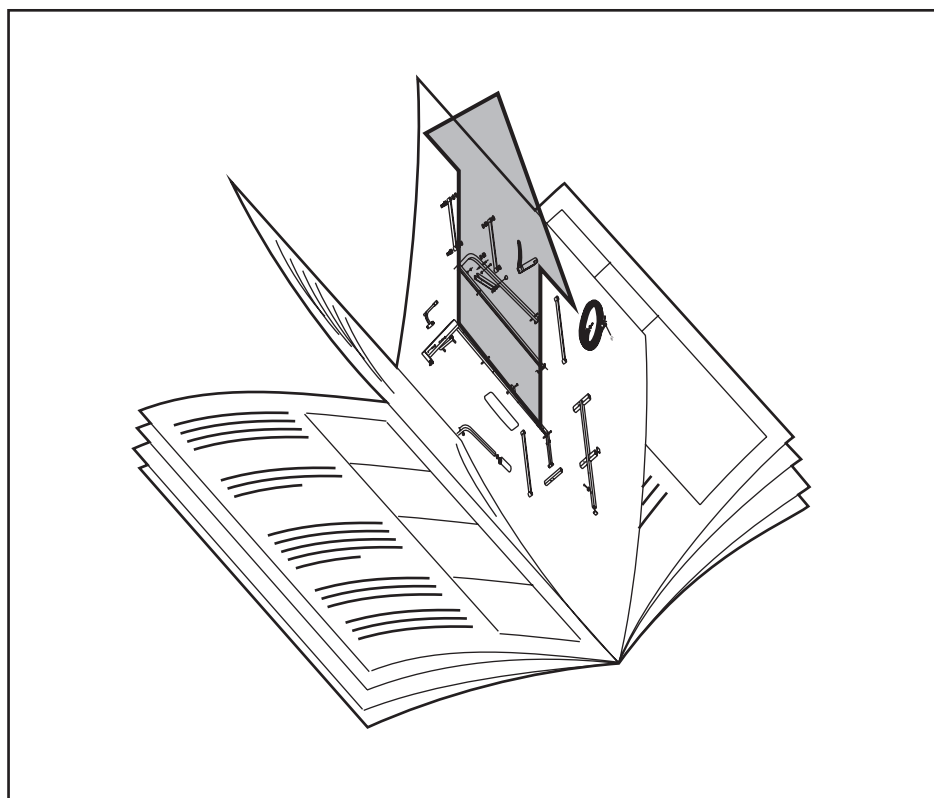
The warranty extended hereunder is in lieu of any and all other warranties and any implied warranties of merchantability or fitness for a particular purpose is limited in its scope and duration to the terms set forth herein. Some states do not allow limitations on how long an implied warranty lasts. Accordingly, the above limitation may not apply to you.

This warranty gives you specific legal rights. You may also have other rights which vary from state to state.

ICON HEALTH & FITNESS, INC., 1500 S. 1000 W., LOGAN, UT 84321-9813

REMOVE THIS PART LIST/EXPLODED DRAWING FROM THE MANUAL

SAVE THIS PART LIST/EXPLODED DRAWING FOR FUTURE REFERENCE



Part List—Model No. WEBE19200

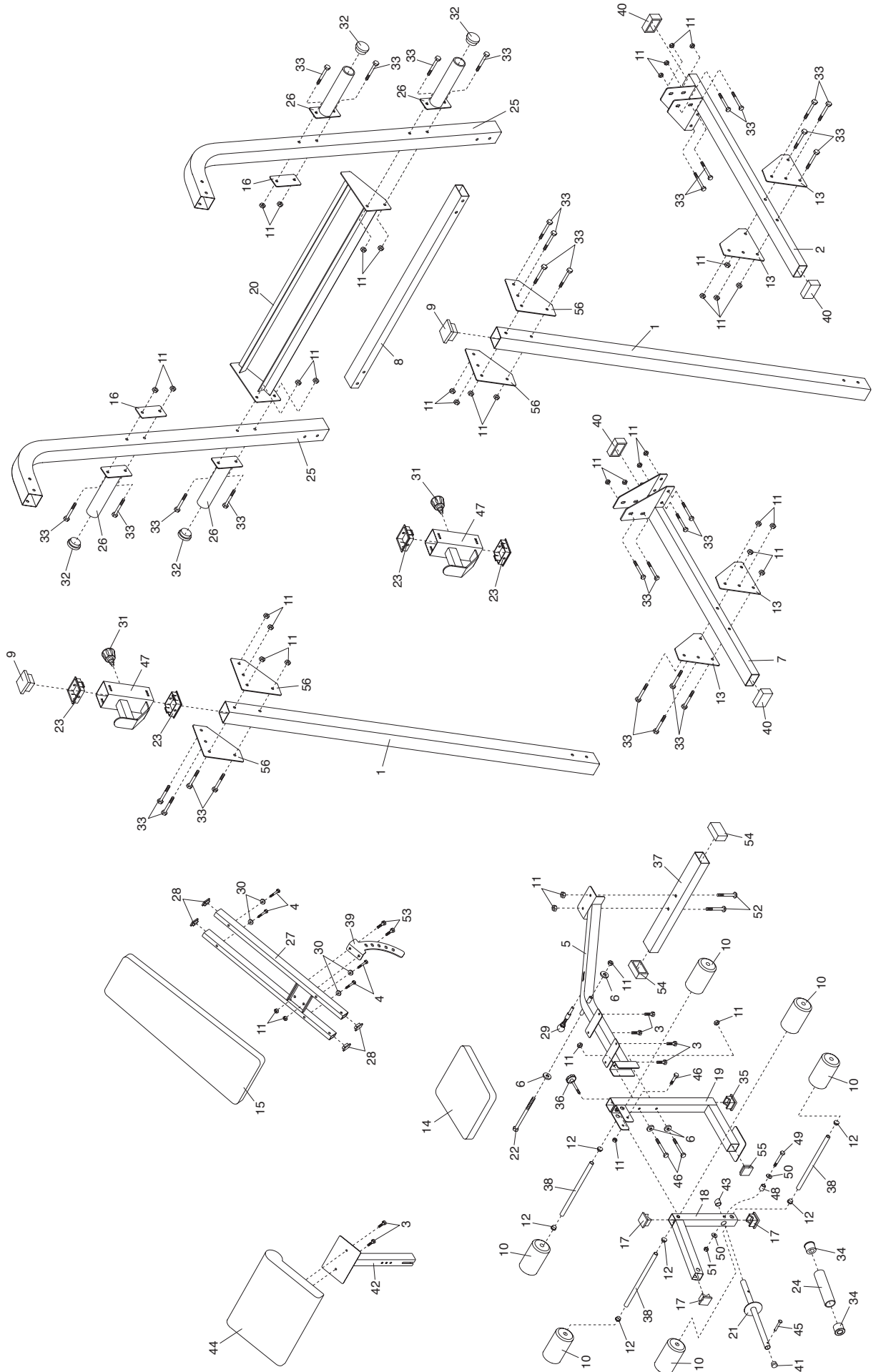
R0800A

Key No.	Qty.	Description	Key No.	Qty.	Description
1	2	Front Upright	30	4	M6 Washer
2	1	Left Base	31	2	Weight Rest Knob
3	6	M6 x 16mm Screw	32	4	51mm Round Inner Cap
4	4	M6 x 64mm Screw	33	32	M10 x 78mm Bolt
5	1	Bench Frame	34	2	Weight Adapter Bushing
6	4	M10 Washer	35	1	50mm Thick Inner Cap
7	1	Right Base	36	1	Curl Post Knob
8	1	Rear Base	37	1	Stabilizer
9	2	60mm Square Inner Cap	38	3	Pad Tube
10	6	Foam Pad	39	1	Backrest Bracket
11	40	M10 Nylon Locknut	40	4	30mm x 60mm Outer Cap
12	6	3/4" Round Inner Cap	41	1	25mm Round Inner Cap
13	4	Lower Support Plate	42	1	Curl Post
14	1	Seat	43	1	Angled Outer Cap
15	1	Backrest	44	1	Curl Pad
16	2	Small Support Plate	45	1	Weight Adapter Pin
17	3	45mm Square Inner Cap	46	3	M10 x 65mm Bolt
18	1	Leg Lever	47	2	Weight Rest
19	1	Front Leg	48	1	10mm Spacer
20	1	Crossbar	49	1	M8 x 58mm Bolt
21	1	Weight Tube	50	2	M8 Flat Washer
22	1	M10 x 180mm Bolt	51	1	M8 Nylon Locknut
23	4	Weight Rest Bushing	52	2	M10 x 58mm Carriage Bolt
24	1	Olympic Weight Adapter	53	2	M10 x 22mm Bolt
25	2	Rear Upright	54	2	51mm x 76mm Outer Cap
26	4	Weight Storage Tube	55	1	50mm Square Inner Cap
27	1	Backrest Frame	56	4	Upper Support Plate
28	4	25mm x 51mm Inner Cap	#	1	User's Manual
29	1	Backrest Knob	#	1	Exercise Guide

Note: “#” indicates a non-illustrated part. Specifications are subject to change without notice. See the back cover of the user's manual for information about ordering replacement parts.

Exploded Drawing—Model No. WEBE19200

R0800A



Free Manuals Download Website

<http://myh66.com>

<http://usermanuals.us>

<http://www.somanuals.com>

<http://www.4manuals.cc>

<http://www.manual-lib.com>

<http://www.404manual.com>

<http://www.luxmanual.com>

<http://aubethermostatmanual.com>

Golf course search by state

<http://golfingnear.com>

Email search by domain

<http://emailbydomain.com>

Auto manuals search

<http://auto.somanuals.com>

TV manuals search

<http://tv.somanuals.com>