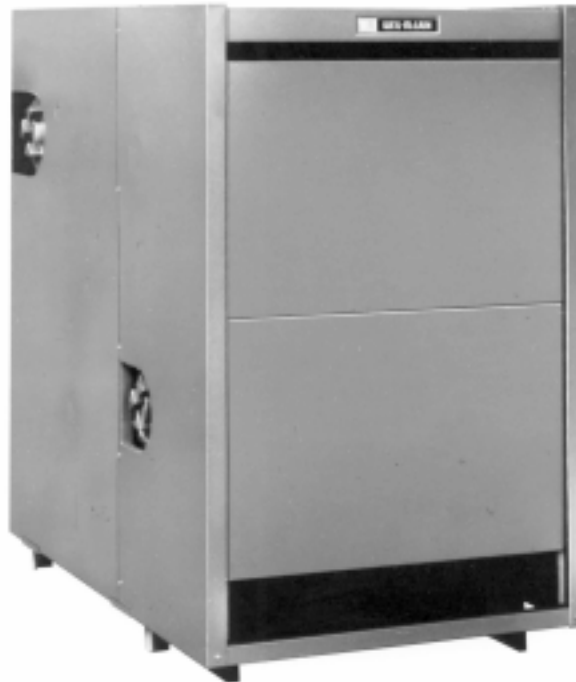




LGB *Gas-fired boiler*

Control Supplement

LGB-6 to LGB-23 Series 2 – Propane gas
Universal Control System
U.S. and Canada



Contents

- I. New installation 2
- II. Existing installation 4
- III. Gas piping 5
- IV. Wiring 5
 - Sequence of operation 8
 - Wiring procedure 8
- V. Operating instructions . 9
- VI. Parts list – U.S. 10
- VII. Parts list – Canadian ... 11

These terms are used throughout this manual to bring attention to the presence of hazards of various risk levels or to important information concerning the life of the product.

WARNING

Indicates presence of hazards that can cause severe personal injury, death or substantial property damage.

NOTICE

Indicates special instructions on installation, operation or maintenance that are important but not related to personal injury or property damage.

WARNING

This Control Supplement must only be used by a qualified installer/service technician. Read these instructions completely before beginning the installation. Failure to follow these instructions can cause severe personal injury, death or substantial property damage.



I New installation

1. Remove all burners from base box assembly. Remove 3.95 mm natural gas main burner orifices in manifold. Install 2.40 mm propane gas main burner orifices. Use pipe dope sparingly only on male ends. Use pipe dope compatible with propane gases. Do not overtighten orifices.
2. Install pilot burners and flame sensor(s). See Figures 1 and 2 (page 3). Follow Table 1 for electronic pilot burner (UCS), standing pilot burner (Q327) and flame sensor locations on manifold.
3. Install gas controls and ignition control panel as shown in Table 2, below and either Figure 5 (page 10) or Figure 6 (page 11).
4. Attach pilot switch box to interior jacket panel. See Figure 5 (page 10) or Figure 6 (page 11). Connect thermocouple from standing pilot to switch box. Cut 60” pilot tubing into 2 pieces to make connections from pilot valve to pilot switch box and from pilot switch box to standing pilot.
5. LGB-21 through LGB-23 require High Gas Pressure Switch Control Carton furnished with boilers. Attach pressure switch to interior jacket panel. See Figure 5 (page 10) or Figure 6 (page 11).
6. Attach:
 - a. 550-223-710 label at boiler operating instruction label. Place so that this label reads first.
 - b. 550-223-796 label at rating label.
 - c. Wiring diagram on door (one on each base).
 - d. Canada only - mount rating plate on interior jacket panel.

Table 1

Pilot burner and flame sensor locations

| Boiler Model Number | Flame Sensor* | | Electronic Pilot Burner* | | Standing Pilot Burner* | | Boiler Model Number | Flame Sensor* | | Electronic Pilot Burner* | | Standing Pilot Burner* | |
|---------------------|---------------|-------|--------------------------|-------|------------------------|-------|---------------------|---------------|-------|--------------------------|-------|------------------------|-------|
| | No. 1 | No. 2 | No. 1 | No. 2 | No. 1 | No. 2 | | No. 1 | No. 2 | No. 1 | No. 2 | No. 1 | No. 2 |
| LGB-6 | 2 | -- | 9 | -- | 6 | -- | LGB-15 | 2 | 16 | 13 | 27 | 8 | 22 |
| LGB-7 | 2 | -- | 11 | -- | 7 | -- | LGB-16 | 2 | 18 | 15 | 29 | 9 | 24 |
| LGB-8 | 2 | -- | 13 | -- | 8 | -- | LGB-17 | 2 | 18 | 15 | 31 | 9 | 25 |
| LGB-9 | 2 | -- | 15 | -- | 9 | -- | LGB-18 | 2 | 20 | 16 | 33 | 9 | 27 |
| LGB-10 | 2 | -- | 16 | -- | 9 | -- | LGB-19 | 2 | 20 | 16 | 34 | 9 | 27 |
| LGB-11 | 2 | -- | 16 | -- | 9 | -- | LGB-20 | 2 | 22 | 16 | 36 | 9 | 29 |
| LGB-12 | 2 | -- | 16 | -- | 9 | -- | LGB-21 | 2 | 22 | 16 | 36 | 9 | 29 |
| LGB-13 | 2 | 14 | 11 | 23 | 7 | 19 | LGB-22 | 2 | 24 | 16 | 38 | 9 | 31 |
| LGB-14 | 2 | 16 | 13 | 25 | 8 | 21 | LGB-23 | 2 | 24 | 16 | 38 | 9 | 31 |

* From left burner

Table 2

Gas control arrangement

| Boiler Model Number | Propane Carton | Inlet Pipe Size | | Boiler Model Number | Propane Carton | Inlet Pipe Size | |
|---------------------|----------------|-----------------|------------|---------------------|----------------|-----------------|------------|
| | | Left base | Right base | | | Left base | Right base |
| LGB-6 | A and B | 1" | -- | LGB-15 | J | 1" | 1" |
| LGB-7 | A and B | 1" | -- | LGB-16 | J | 1" | 1" |
| LGB-8 | C and D | 1" | -- | LGB-17 | J | 1" | 1" |
| LGB-9 | C and D | 1" | -- | LGB-18 | K | 1 ¼" | 1" |
| LGB-10 | E, F and G | 1 ¼" | -- | LGB-19 | L | 1 ¼" | 1 ¼" |
| LGB-11 | E, F and G | 1 ¼" | -- | LGB-20 | L | 1 ¼" | 1 ¼" |
| LGB-12 | E, F and G | 1 ¼" | -- | LGB-21 | L | 1 ¼" | 1 ¼" |
| LGB-13 | H | 1" | 1" | LGB-22 | L | 1 ¼" | 1 ¼" |
| LGB-14 | I | 1" | 1" | LGB-23 | L | 1 ¼" | 1 ¼" |



I New installation – continued

Figure 1
Pilot burner assembly, typical

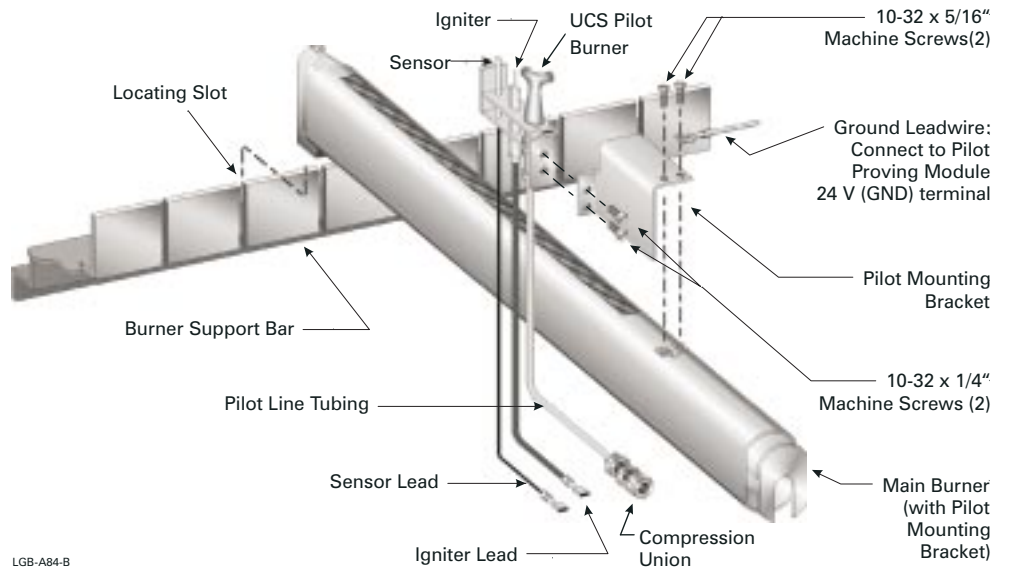
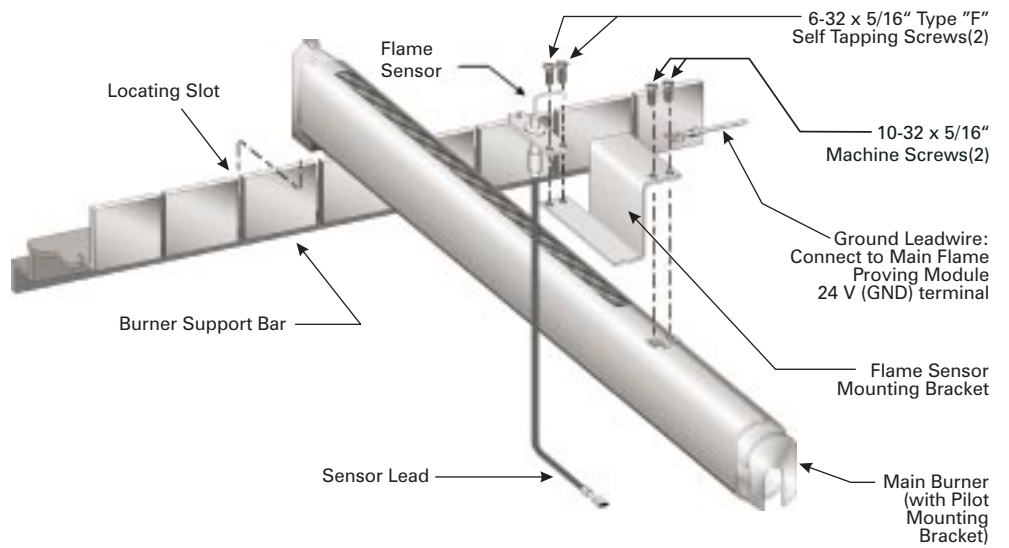


Figure 2
Main flame sensor assembly





II

Existing installation Conversion from natural gas to propane gas

WARNING

This conversion is to be installed by a Weil-McLain distributor or other qualified agency in accordance with the manufacturer's instructions and all codes and requirements of the authority having jurisdiction. Failure to follow instructions could result in serious injury or property damage. The qualified agency performing this work assumes responsibility for this conversion.

WARNING

For your safety, turn off electrical power supply before making any electrical connections to avoid possible electrical shock hazard.

1. These instructions are for use with Propane Control Cartons as listed in Gas Control Arrangement, Table 2 (page 2).
2. Remove jacket door(s) and access panel(s).
3. Disconnect wiring and tubing from existing pilot burner and main flame sensor.
4. Remove all burners. Remove 3.95 mm natural gas main burner orifices in manifold. Install 2.40 mm propane gas main burner orifices. Use pipe dope sparingly only on male ends. Use pipe dope compatible with propane gases. Do not overtighten orifices.
5. Remove and discard existing electronic pilot burner from pilot burner tube. Replace with electronic pilot burner in carton.
6. Attach Q327 standing pilot to burner tube in kit. Connect pilot tubing and thermocouple to pilot.
7. Re-install burners. See Table 1 (page 2) for location of pilot burners and flame sensor(s).
8. Attach pilot switch box to jacket. See Figure 5 (page 10) or Figure 6 (page 11). Connect thermocouple to pilot switch box. Cut 60" pilot tubing into 2 pieces to make connections from tee in pilot line to pilot switch box and from pilot switch box to standing pilot.
9. Remove natural gas valve train.
10. Install propane gas valve train and fittings from carton (See page 5, section III, paragraph 4 of this Supplement).
11. Re-install access panel(s).
12. See Figure 5 (page 10) or Figure 6 (page 11), for propane piping.
13. Wire per wiring diagram, Figure 3 (pages 6 and 7). Add splices as needed.
14. Attach:
 - a. 550-223-710 label at boiler operating instruction label. Place so that this label reads first.
 - b. 550-223-796 label at rating label.
 - c. Wiring diagram over diagram on door (one on each base).
15. To place in operation, follow instructions on constant burner pilot light-up label and boiler operating label.
16. Replace jacket doors.



III Gas piping

1. Contact gas supplier to size pipes, tanks and regulator.
 - a. Inlet gas pressure to manual main shut-off gas valve — minimum 11” W.C., maximum 13” W.C.
 - b. If pressure to gas valve exceeds 13” W.C., install 100% lock-up gas pressure regulator upstream of hand valve.
2. Remove gas supply knockout disc from jacket panel.
3. Follow good piping practices.
4. Pipe joint compound (pipe dope) must be resistant to corrosive action of liquefied petroleum gases. Apply sparingly only to male threads of pipe joints.
5. Install drip leg at inlet of gas connection to boiler. Where local utility requires, extend drip leg to floor.
6. Install ground joint union when required for servicing.
7. Support piping by hangers, not by boiler or its accessories.
8. Purge all air from supply piping.
9. Before operating boiler, check boiler and its gas connections for leaks.

WARNING

Do not check for gas leaks with an open flame – BUBBLE TEST. Failure to use bubble test or test for leaks can cause severe personal injury, death or substantial property damage.

- a. Close manual main shut-off valve during any pressure testing at less than 13” W.C.
 - b. Disconnect boiler and gas valve from gas supply piping during any pressure test greater than 13” W.C.
10. Set gas pressure switch as follows or to local inspector’s requirements (LGB-21 through LGB-23 only):
 - a. High – 14” W.C.
11. Canada only - manual main shut-off valve must be identified by installer.

IV Wiring

WARNING

For your safety, turn off electrical power supply before making any electrical connections to avoid possible electrical shock hazard.

1. All wiring must be installed in accordance with the requirements of the National Electrical Code and any additional national, state or local code requirements having jurisdiction. All wiring must be N.E.C. Class 1.
2. The boiler must be electrically grounded in accordance with the National Electrical Code, ANSI/NFPA No. 70-latest edition. Use 105 °C. thermoplastic wire, or equivalent, if any of the original wire must be replaced (except for pilot spark, sense and ground wires).
3. Canadian installations must conform to CSA C22.1 Canadian Electrical Code Part 1 and any local or provincial codes.
4. Supply wiring to the boiler must be No. 14 gauge or heavier. Install in conduit.
5. A separate electrical circuit with a fused disconnect switch (15 amp. recommended) should be used for the boiler.

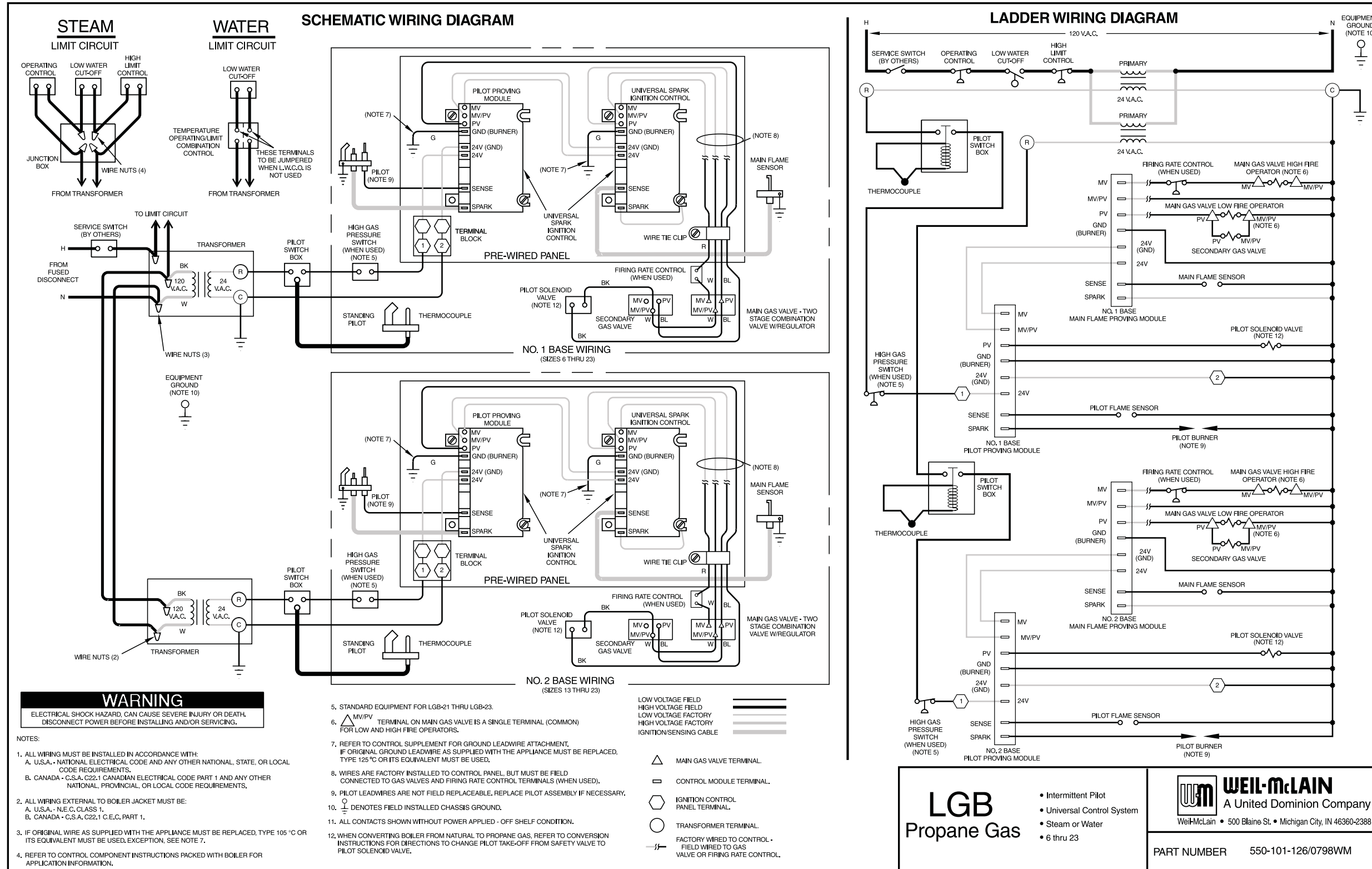


Figure 3
Wiring diagram



IV

Wiring – continued

Sequence of operation

1. Operating control begins start-up sequence.
 - a. Limit control contacts are closed.
2. Pilot-proving module energized.

NOTICE On failure to sense pilot flame or main flame, control will wait 5 minutes then retry for ignition.

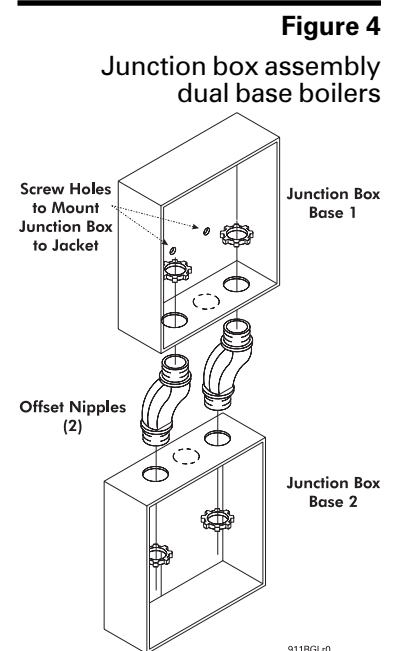
 - a. Pilot solenoid opens.
 - b. Pilot ignition spark begins.
 - c. Pilot ignites.
 - d. Pilot proves.
3. Main flame-proving module energized from pilot-proving module.
 - a. Secondary gas valve opens.
 - b. Main gas valve opens to low fire position.
 - c. Main burners ignite at low fire.
 - d. Main flame sensor proves low fire carryover.
 - e. Main gas valve opens to high fire position.
 - f. Main burners increase to high fire.
4. Dual base assembly (LGB-13 through LGB-23) - operating control energizes the controls for both base assemblies at the same time. See steps 1 through 3 above.
5. Boiler shuts down when the operating control is satisfied.

Wiring Procedure

1. Determine right or left electrical supply wiring.
2. Attach electrical junction box(es) to inside jacket end panel. Screws and nuts are provided. For dual base boilers, use offset nipples (provided) to connect junction boxes together, then hang junction boxes by screwing top box to boiler jacket. See Figure 4.
3. Attach control transformer(s) to junction box(es).
4. Drill 1/8" hole in interior jacket panel midway between ignition control panel and left jacket panel. Mount wire support clip using sheet metal screw (furnished).
5. Complete wiring per wiring diagram, Figure 3, pages 6 and 7. Terminate at secondary gas valve in valve junction box with wirenuts and strain relief provided.

NOTICE "Hot" side of line voltage to boiler must be wired directly to limit circuit, then fed to transformer primary(ies). Dual Base: "R" terminal of secondaries are to supply power to bases independently of each other. Do not wire "R" terminals together.

6. Install pilot proving and main flame proving ground connections as shown in Figures 1, 2 and 3. Route wires through wire support clip.
7. Canada only - attach chain between junction box(es) and transformer with S-hooks.





V

Operating instructions

WARNING

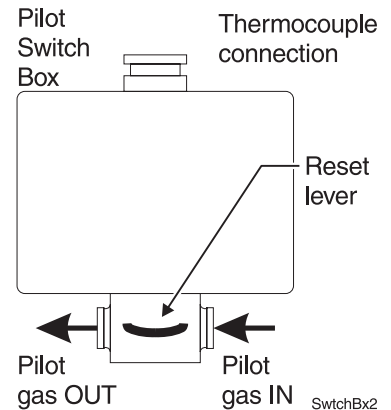
- A. This boiler is equipped with a pilot which must be lighted by hand. When lighting the pilot, follow these instructions exactly. The gas supply to this pilot is controlled by *Pilot switch box*. This boiler is also equipped with an ignition device which automatically lights a second pilot. The gas supply to this pilot is controlled by the *Gas control*. Do not try to light this pilot by hand.
- B. BEFORE OPERATING THE MANUAL PILOT, smell all around the appliance area for gas. Be sure to smell next to the floor because some gas is heavier than air and will settle on the floor.
 - WHAT TO DO IF YOU SMELL GAS
 - Do not try to light any appliance.
 - Do not touch any electric switch; do not use any phone in your building.
 - Immediately call your gas supplier from a neighbor’s phone. Follow the gas supplier’s instructions.
 - If you cannot reach your gas supplier, call the fire department.
- C. Do not use this appliance if any part has been under water. Immediately call a qualified service technician to inspect the appliance and to replace any part of the control system and any gas control, which has been under water.

WARNING

This document is intended only as a supplement to the *LGB Gas-Fired Boiler Manual*. Follow all instructions in the Manual, including those regarding start-up (found in Section VIII, “Placing boiler in operation”).

Starting boiler

1. STOP! Read the safety information above.
2. Set the *Operating control* to lowest setting.
3. Turn off all electrical power to the appliance.
4. Remove the *Base access shield*.
5. Close *Pilot shut-off valve* connected to *Manual main shut-off valve*. Close *Manual main shut-off valve*.
6. Wait five (5) minutes to clear out any gas. Then smell for gas, including near the floor. If you smell gas, STOP! Follow “B” in the safety information above. If you don’t smell gas, go to the next step.
7. Open *Pilot shut-off valve*.
8. Press and hold the reset lever on the *Pilot switch box*. Manually light the pilot while holding the lever down. Air in the gas supply line will have to purge through the line before sufficient gas will reach the pilot.
9. After purging all air, hold the *Pilot switch box* lever for about 1 minute to heat the thermocouple.
10. Release the *Pilot switch box* lever. The pilot should remain lit.
11. Open the *Manual main shut-off valve* and follow the sequence below.
12. This appliance is also equipped with an ignition device which automatically lights the second pilot. Do not try to light this pilot by hand.
13. Turn on all electric power to the appliance.
14. Set *Operating control* to desired setting.
15. If the appliance will not operate, turn off gas to the appliance by closing the *Manual main shut-off valve* and *Pilot shut-off valve*. Call your service technician or gas supplier.
16. Replace *Base access shield* and *Front panel*.

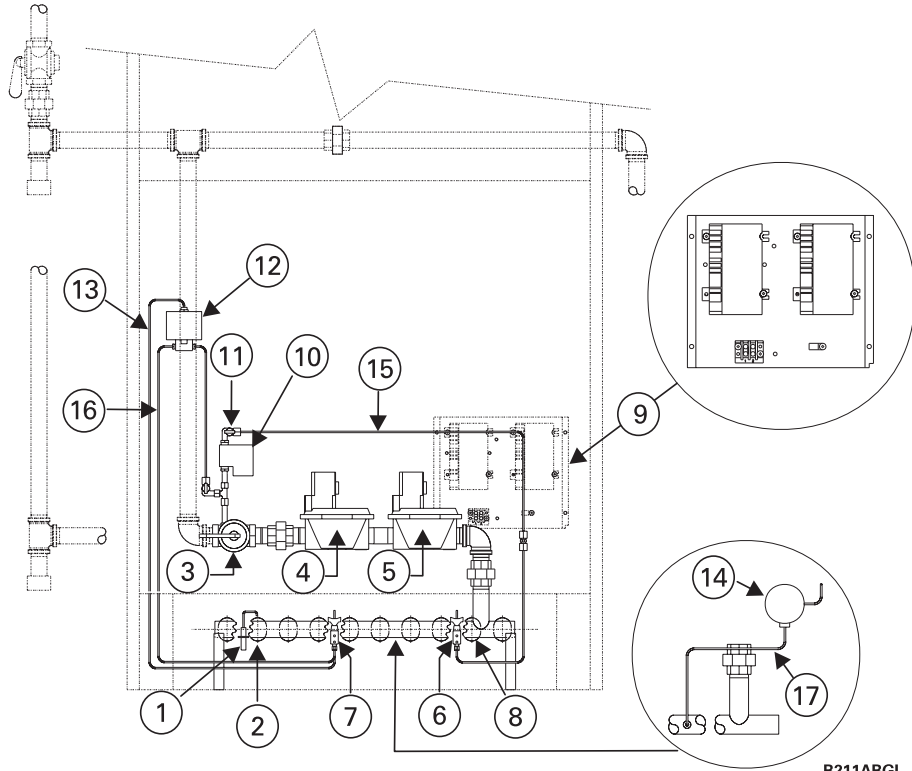




VI

Parts list - U.S. boilers

Figure 5
U.S. parts drawing



B211ABGL

| Ref. No. | Description | Size | Vendor/Part Number | Weil-McLain Part Number |
|----------|---|--------------|--|----------------------------|
| 1 | Main flame sensor | | Honeywell 392956 | 511-724-274 |
| 2 | Main burner with pilot bracket Main flame sensor bracket | | Weil-McLain Weil-McLain | 512-200-055 423-300-420 |
| 3 | Manual main shut-off valve | 1" 1 1/4" | Kinco-Balon 500 Kinco-Balon 600 | 511-246-325 511-246-330 |
| 4 | Secondary gas valve | 1" 1 1/4" | Honeywell V8943A1003 Honeywell V8943A1111 | 511-044-191 511-044-192 |
| 5 | Main gas valve | 1" 1 1/4" | Honeywell V8944L1033 Honeywell V8944L1041 | 511-044-346 511-044-218 |
| 6 | Pilot burner, standing-repair kit propane | | Weil-McLain | 383-300-410 |
| 7 | Pilot burner, electronic-repair kit propane | | Weil-McLain | 383-300-411 |
| 8 | Main burner with pilot bracket Pilot burner bracket | | Weil-McLain Weil-McLain | 512-200-055 460-005-624 |
| 9 | UCS control module (2 per control panel) | | Honeywell S8620C1003 United Technologies 1003-511 | 511-330-097 |
| 10 | Pilot solenoid | | Honeywell V8046C1014 Johnson Controls H91ABG | 511-044-039 |
| 11 | Pilot shut-off valve | | Kinco-Balon P2R | 511-246-340 |
| 12 | Pilot switch box | | Johnson Controls L62GB-3C | 511-330-229 |
| 13 | Thermocouple | 48" | Honeywell Q309A | 511-724-245 |
| 14 | High gas pressure switch | | Honeywell C645B1013 | 511-624-555 |
| 15 | Pilot tubing, alum. 1/4 O.D. x .032-20" long | | | |
| 16 | Pilot tubing, alum. 1/4 O.D. x .032-60" long | | | |
| 17 | Pressure switch tubing, alum. 1/4 O.D. x .032-100" long | | | |
| | | | Available at Local Supply House | |

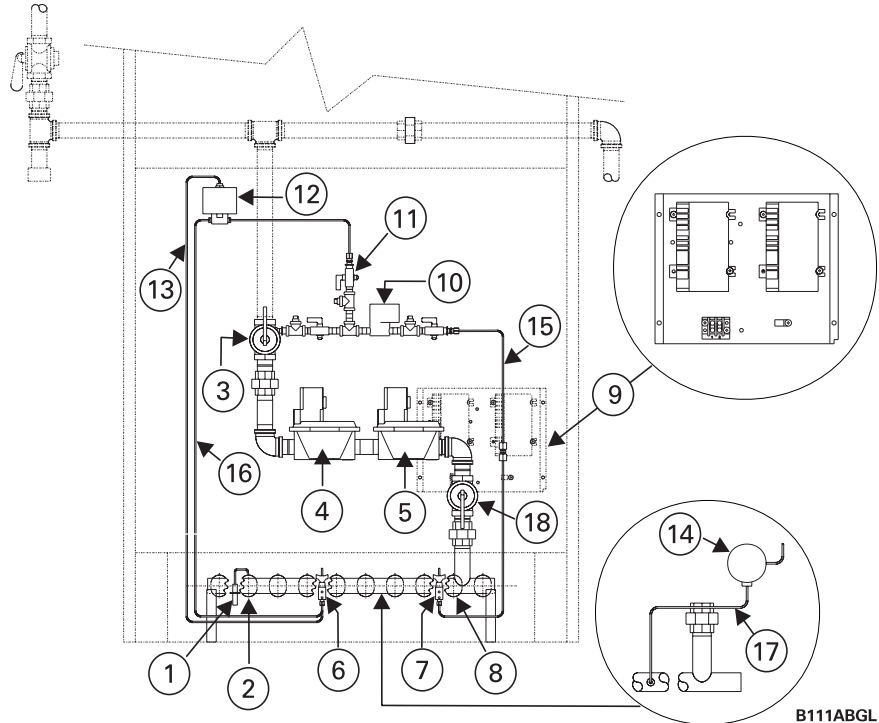
*Contact local Weil-McLain distributor/agent for current replacement part and order number.



VII

Parts list - Canadian boilers

Figure 6
Canadian
parts
drawing



B111ABGL

| Ref. No. | Description | Size | Vendor/Part Number* |
|----------|---|------------------------|--|
| 1 | Main flame sensor | | Honeywell 392956 |
| 2 | Main burner with pilot bracket Main flame sensor bracket | | Weil-McLain |
| 3 | Manual main shut-off valve | 1" 1 1/4" | Kinco-Balon 500 Kinco-Balon 600 |
| 4 | Secondary gas valve | 1" 1 1/4" | Honeywell V8943A1003 Honeywell V8943A1111 |
| 5 | Main gas valve | 1" 1 1/4" | Honeywell V8944N1053 Honeywell V8944N1061 |
| 6 | Pilot burner, standing Pilot orifice, LP, standing | | Honeywell Q327A1642 Honeywell K14 |
| 7 | Pilot burner, electronic Pilot orifice, LP, electronic | | Johnson Controls Q90GE-1 or Beckett Gas E48A1 Johnson Controls Y90AA4712 or Beckett Gas 31400 |
| 8 | Main burner with pilot bracket Pilot burner bracket | | Weil-McLain |
| 9 | UCS control module (2 per control panel) | | Honeywell S8620C1003 United Technologies 1003-511 Honeywell V8046C1014 |
| 10 | Pilot solenoid | | Johnson Controls H91ABG |
| 11 | Pilot shut-off valve | | Conbraco 53-103-01 |
| 12 | Pilot switch box | | Johnson Controls L62GB-3C |
| 13 | Thermocouple | | Honeywell Q309A2010 |
| 14 | High gas pressure switch | | Honeywell C645B1013 |
| 15 | Pilot tubing, alum. 1/4 O.D. x .032-20" long | | Available at Local Supply House |
| 16 | Pilot tubing, alum. 1/4 O.D. x .032-60" long | | |
| 17 | Pressure switch tubing, alum. 1/4 O.D. x .032-100" long | | |
| 18 | Firing valve | 1" 1 1/4" 1 1/2" | Watts FBV3-06 Watts FBV3-07 Watts FBV3-08 |

*Contact local Weil-McLain distributor/agent for current replacement part and order number.



Weil-McLain
500 Blaine Street
Michigan City, IN 46360-2388
<http://www.weil-mclain.com>

Free Manuals Download Website

<http://myh66.com>

<http://usermanuals.us>

<http://www.somanuals.com>

<http://www.4manuals.cc>

<http://www.manual-lib.com>

<http://www.404manual.com>

<http://www.luxmanual.com>

<http://aubethermostatmanual.com>

Golf course search by state

<http://golfingnear.com>

Email search by domain

<http://emailbydomain.com>

Auto manuals search

<http://auto.somanuals.com>

TV manuals search

<http://tv.somanuals.com>