

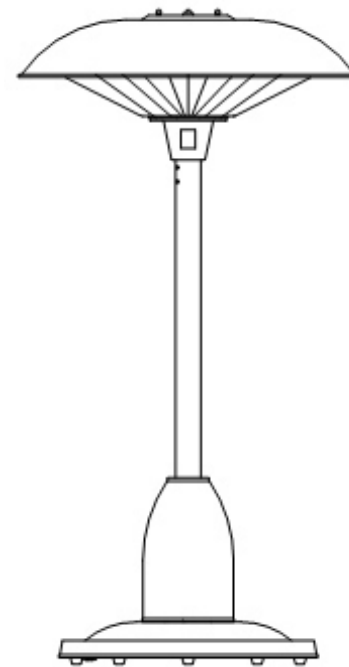


---

electric halogen patio heater  
instruction manual

Model: 60403/60659/60753/60754

---





---

IN NO EVENT WILL WELL TRAVELED LIVING, OR ITS DIRECTORS, OFFICERS OR AGENTS BE LIABLE TO THE PURCHASER OR ANY THIRD PARTY, WHETHER IN CONTRACT, IN TORT, OR ON ANY OTHER BASIS, FOR ANY INDIRECT, SPECIAL, PUNITIVE, EXEMPLARY, CONSEQUENTIAL, OR INCIDENTAL LOSS, COST, OR DAMAGE ARISING OUT OF OR IN CONNECTION WITH THE SALE, MAINTENANCE, USE, OR INABILITY TO USE THE PRODUCT, EVEN IF WELL TRAVELED LIVING OR ITS DIRECTORS, OFFICERS OR AGENTS HAVE BEEN ADVISED OF THE POSSIBILITY OF SUCH LOSSES, COSTS OR DAMAGES, OR IF SUCH LOSSES, COSTS, OR DAMAGES ARE FORESEEABLE. IN NO EVENT WILL WELL TRAVELED LIVING, OR ITS OFFICERS DIRECTORS, OR AGENTS BE LIABLE FOR ANY DIRECT LOSSES, COSTS OR DAMAGES THAT EXCEED THE PURCHASE PRICE OF THE PRODUCT.

SOME JURISDICTIONS DO NOT ALLOW THE EXCLUSION OR LIMITATION OF INCIDENTAL OR CONSEQUENTIAL DAMAGES, SO THE ABOVE LIMITATION OR EXCLUSION MAY NOT APPLY TO THE PURCHASER.

This limited warranty gives you specific legal rights and you may also have other rights which vary from jurisdiction to jurisdiction. The provisions of the United Nations Convention on Contracts for the Sales of Goods shall not apply to this limited warranty or the sale of products covered by this limited warranty.

**\*\*\*IMPORTANT NOTICE\*\*\***

-Do NOT return to place of purchase-  
For customer service and warranty issues  
contact our Customer Service Center at:  
(866)-985-7877 OR  
Email: [cservice@welltraveled.net](mailto:cservice@welltraveled.net)

Customer Service Hours: Mon. – Fri. 9:00 a.m. – 6:00 p.m. (EST)

Fire Sense® and Well Traveled Living® are registered trademarks of Well Traveled Imports, Inc.®. All assembly instruction presentations are the property of Well Traveled Imports, Inc.® and are protected by U.S. copyrights and trademarks. All rights reserved.

---

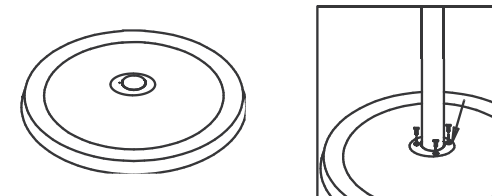
**ASSEMBLY INSTRUCTIONS**

---

To properly assemble this heater, you need the supplied assembly wrench (or one of your own).

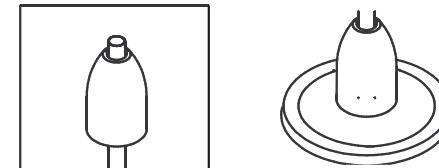
**STEP 1:**

Fix the bottom pole onto the base using three M6x50 bolts.



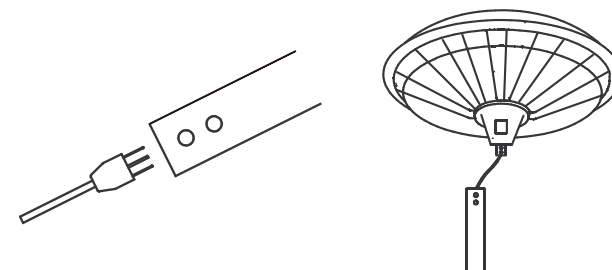
**STEP 2:**

Place the decoration cone onto the bottom pole.



**STEP 3:**

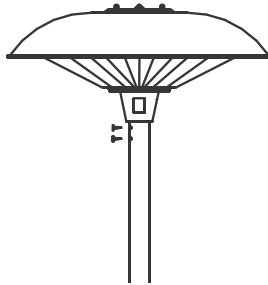
Place the power cord plug through the top pole, middle pole and bottom pole. Pull the power cord through the bottom of the base as far as it will go.



---

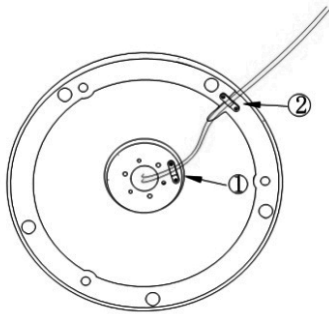
**STEP 4:**

Place the lamp head assembly onto the top pole. Secure it with two 10 mm screws.



**Step 7:**

Fix the power cord on the rubber base by using four 15 mm screws.



---

**Distributed By:**

Well Traveled Living  
716 S 8<sup>th</sup> Street  
Amelia Island, FL 32034  
Toll Free: 866-WTL-SUPP  
(866-985-7877)

Web: [www.wtliving.com](http://www.wtliving.com)

Email: [cservice@welltraveled.net](mailto:cservice@welltraveled.net)



**1 YEAR LIMITED WARRANTY – Customers in the Continental US**

All components are warranted for a period of 1 year after date of purchase by the original owner against defects in materials and workmanship under normal use. This warranty does NOT cover normal wear and weathering, assembly and/or maintenance OR use in a commercial application. At Well Traveled Living's sole discretion, products under warranty will be repaired and/or replaced at no charge to the customer. Any returns sent back to Well Traveled Living must be sent via prepaid freight and in the original retail packaging.

For warranty service contact Well Traveled Living at the address, phone numbers or internet site and email listed in this owner's manual. Be sure to have your sales receipt, date of purchase and catalogue/model numbers available when calling. All warranty service will be coordinated by the Well Traveled Living's, Amelia Island, Florida service center.

This warranty is extended only to the original purchaser. Proof of purchase will be required before warranty service is rendered. The sales receipt is the only valid proof of purchase. This warranty only covers failures due to defects in materials or workmanship which occur during normal use. Failures and/or damage which result from accident, negligence, misuse, abuse, neglect, mishandling, alteration or modification, failure to maintain, improper assembly or maintenance, service by unauthorized agency or use of unauthorized components or damage that is attributable to acts of God are NOT covered.

**\*\*\*THERE ARE NO EXPRESS WARRANTIES EXCEPT AS LISTED ABOVE\*\*\***

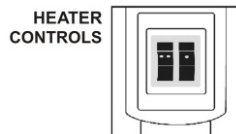
**\*\*\*PURCHASER ASSUMES ALL RISKS IN THE ASSEMBLY AND OPERATION OF THIS UNIT\*\*\***

**\*\*\*FAILURE TO FOLLOW WARNINGS AND OPERATIONAL INSTRUCTIONS CONTAINED IN THIS MANUAL CAN RESULT IN SEVERE PROPERTY DAMAGE AND/OR PERSONAL INJURY\*\*\***

---

This electric halogen patio heater is equipped with 3 heating settings: Low, Medium and High.

- To operate the heater on Low, press the red switch on the right. This switch will have a single white dot near the top. Once the low switch is pressed, the smaller bottom heating element will glow and radiate heat.
- To operate the heater on Medium, press the red switch on the left. This switch will have two white dots near the top. Once the medium switch is pressed, the larger top heating element will glow and radiate heat.
- To operate the heater on High, press both the low and medium red switches. This will cause both the bottom and top heating elements to glow and radiate heat.



Although the heater is weather resistant, DO NOT use when raining or in wet conditions.

Always disconnect the power cable from the electrical supply when the patio heater is not in use.

---

#### CARE AND MAINTENANCE

---

- Unplug the heater and let it cool completely.
- When disconnected from the electrical supply, clean the outside of the heater with a damp cloth. Never use corrosive or solvent cleansers or immerse in water. Wait until the unit is completely dry before use.
- Any maintenance or repairs including replacing the halogen tube should only be carried out by a competent person.

---

#### STORAGE

---

If the heater will not be used for a long period of time, store it in a cool, dry location. To prevent dust and dirt build-up, use the original packaging to repack the heater.

---

#### TECHNICAL SPECIFICATIONS

---

Ratings: 120 V ~ 60 Hz

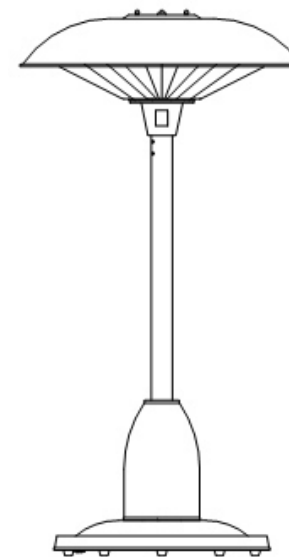
Power consumption: 700/800/1500 W

Height: 106 cm

Net weight: 9.4 kg

Insulation: class I

Cord length: 1.8m~2.4m from the base



full assembled view

---

 **WARNING:**

Only use this halogen heater on a firm solid horizontal surface where all the feet on the base are in contact with the floor. (Should the heater be tilted or fall over, the auto cut-off switch will activate).

1. Sit the heater outside or in a large open area and well away from any obstructions such as branches or where the heater is near any objects that can be affected by heat, such as furniture, curtains or other flammable objects (minimum distance 1 m/3.28 ft).
2. Do not use near bath tubs, wash areas or swimming pools.
3. Do not use in unventilated areas.
4. Do not use where gas, paint or other flammable goods are stored.
5. Do not push any items through, obstruct or cover the grill of the heater head.
6. Do not position immediately above or below an electrical socket.
7. Do not move when connected to an electrical supply. Always wait for the patio heater to cool down before storing.
8. Do not touch the heater head when in use.
9. Do not leave the heater unattended when in use, especially when children and or animals are in the vicinity.
10. The indication of the different positions of switches shall be visible from a distance of 1 m/3.28 ft.
11. The marking concerning covering shall be visible after the heater has been installed. It shall not be placed on the back of portable heaters.
12. The heater must be placed with a clearance of 40" to the wall and 12" to the ceiling.
13. The unit must be correctly installed according to the instructions (see steps 1-7). Make sure the head is at least 1.8 m/6 ft from the floor.
14. The unit must be securely placed on a horizontal and flat surface.
15. The heater is at high temperature during operation. It stays hot for a period after shut down. Potential danger would occur when touching it during this period.
16. Don't place the unit close to curtains and/or other flammable objects, otherwise there will be a danger of catching fire.

---

**OPERATING INSTRUCTIONS**

---

Place the heater on a firm, level surface and plug into a grounded 120 V 60 Hz power outlet. Only operate the heater when it is in the upright position and the base is attached.

17. DO NOT cover the heater with anything during operation or until it has completely cooled.
18. Don't wrap the power supply cord around the heater.
19. The heater must be handled with care, and avoid vibration or hitting.
20. The heater must be securely grounded during operation.
21. If the heater gets damaged, it must be repaired by a professional.
22. When the power supply cord is damaged, it must be replaced by an authorized agent or other professional to avoid danger.
23. When assembling, keep clear from any flammable and combustible material.
24. Not for use by unsupervised children.
25. It is not safe to install the heater by a swimming pool, or in a bathroom/shower area.
26. The heater is for household use only. It is not safe to use on a building site, greenhouse, barn or stable where there's flammable dust.
27. The head of the heater is at high temperature during operation. Unplug the unit and wait till it cools before cleaning.
28. Don't use this heater in places where causticity or volatile air exists, i.e., dust, steam, gas, etc.
29. Don't use this heater as a cloth dryer or towel dryer.
30. Don't use this heater as a sauna heater.
31. Don't use this heater as a room heater.
32. Don't use this heater in places of animal propagating and raising.
33. Don't immerse this heater into water for cleaning.
34. The heater should be plugged into a socket, which is easily visible and reachable.
35. Two dark points may exist on the surface of the heating elements during the first few minutes after it is turned on. This is normal, and will not affect the performance of the unit.
36. A tilt switch is fitted inside the unit for safety purposes.

## Free Manuals Download Website

<http://myh66.com>

<http://usermanuals.us>

<http://www.somanuals.com>

<http://www.4manuals.cc>

<http://www.manual-lib.com>

<http://www.404manual.com>

<http://www.luxmanual.com>

<http://aubethermostatmanual.com>

Golf course search by state

<http://golfingnear.com>

Email search by domain

<http://emailbydomain.com>

Auto manuals search

<http://auto.somanuals.com>

TV manuals search

<http://tv.somanuals.com>