

D7700 Series

Monitor Specifications



Digital Monitor



Push Button Control Board



On-Screen Display

Power Input

- Input voltage:
90-264 VAC, 50-60 Hz; no isolation transformer required
- Maximum power: 70 watts (19")

Resolution

- Graphics modes:
CGA: 640 X 240
- Video bandwidth: 12 MHz typical

Miscellaneous

- Operating temperature:
0 to 55 degree C
- Agency compliance:
UL, DHHS radiation performance std., RoHS

Specification

- CRT size (diagonal measure): 13" and 19"
- Phosphor type: P22
- CRT etch: Polished faceplate
- Striped trio spacing: 0.66mm (13"), 0.71mm (19")
- Color Temperature: 9300°K +/- 500°K, 8500°K +/- 500°K or user controlled

Input Signals

- Input connector 10 pin: 0.156 center headers
- Video type: RGB analog
- Video input impedance: 100 Ohm
- Video level: 1 to 5 volts peak-to-peak
- Sync type: TTL sync (seperate or composite, positive or negative)
- Sync input impedance: 4.7K Ohm
- Horizontal sync frequency: 15.7 to 18KHz
- Vertical sync frequency: 47 to 75 Hz

Light Output

- 40 Ft-L typical

Geometry

- Horizontal linearity: ±5% max
- Vertical linearity: ±5% max
- Picture size regulation: 2% max
- Geometric distortion: ±2% max

User Controls

- Remote Controls: Brightness, contrast, horizontal size, horizontal position, vertical size, vertical position, pin cushion, trapezoid, parallelogram, pin balance, color temperature, recall (factory reset), language menu, tilt/rotation control
- Internal controls: Focus G2 (screen)

9500 W. 55th Street, Suite A
McCook, IL 60525
Tel: 708-290-2100 • 800-336-6630
Fax: 708-290-2200
www.wellsgardner.com



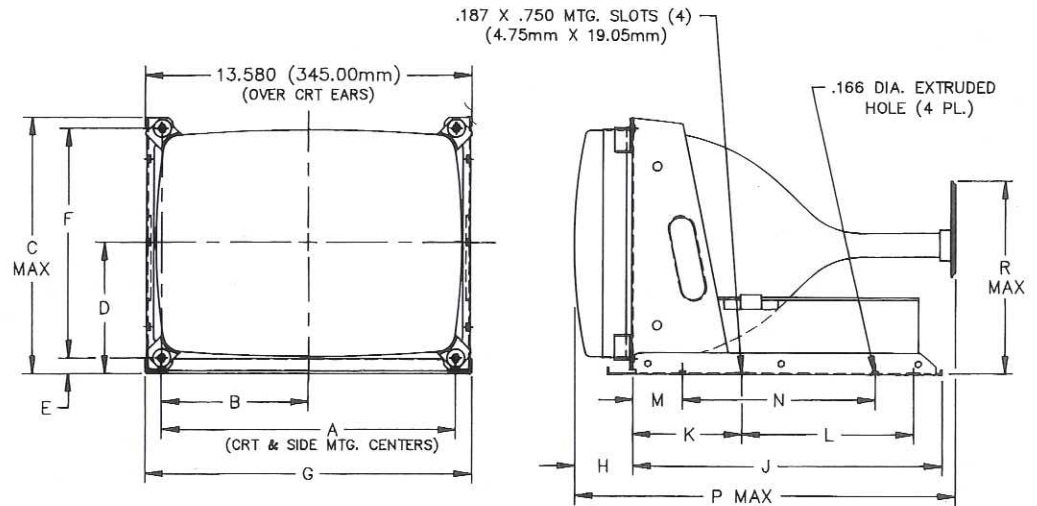
WELLS-GARDNER
ELECTRONICS CORPORATION

D7700 Series

Monitor Specifications

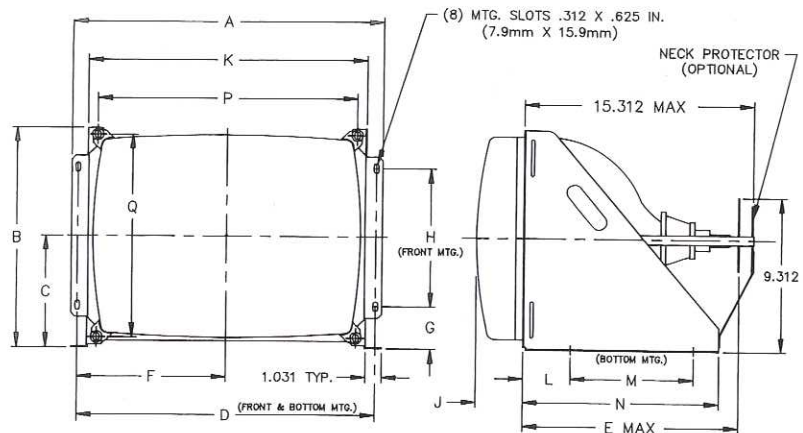
13" Digital Monitor 13-H0

DIM.	IN.	MM.
A	15.625	396.9
B	10.687	271.4
C	5.437	138.1
D	14.812	376.2
E	14.812	376.2
F	7.406	188.1
G	2.500	63.5
H	5.875	149.2
J	2.450	62.23
K	13.526	343.56
L	2.062	57.37
M	8.000	203.2
N	11.000	279.4
P	12.250	311.15
Q	9.578	243.28
R	11.750	298.45



19" Digital Monitor 19-H0

DIM.	IN.	MM.
A	20.402	518.21
B	14.281	362.74
C	7.255	184.28
D	19.590	497.59
E	14.531	369.09
F	9.795	248.79
G	2.750	69.85
H	9.000	228.60
J	3.060	77.72
K	18.340	465.84
L	3.060	77.72
M	8.000	203.20
N	12.687	322.25
P	17.090	434.09
Q	13.266	336.96



Dimensions shown are for reference only. Specifications subject to change without notice.

9500 W. 55th Street, Suite A
 McCook, IL 60525
 Tel: 708-290-2100 • 800-336-6630
 Fax: 708-290-2200
 www.wellsgardner.com



WELLS-GARDNER
 ELECTRONICS CORPORATION

Free Manuals Download Website

<http://myh66.com>

<http://usermanuals.us>

<http://www.somanuals.com>

<http://www.4manuals.cc>

<http://www.manual-lib.com>

<http://www.404manual.com>

<http://www.luxmanual.com>

<http://aubethermostatmanual.com>

Golf course search by state

<http://golfingnear.com>

Email search by domain

<http://emailbydomain.com>

Auto manuals search

<http://auto.somanuals.com>

TV manuals search

<http://tv.somanuals.com>