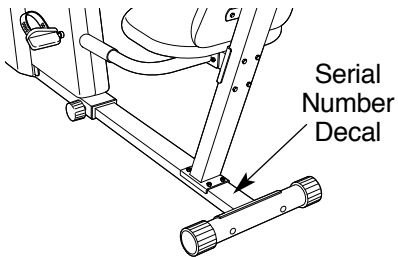


WESLO® PURSUIT E 20

Model No. WLEX13820

Serial No. _____

Write the serial number in the space above for reference.



USER'S MANUAL

QUESTIONS?

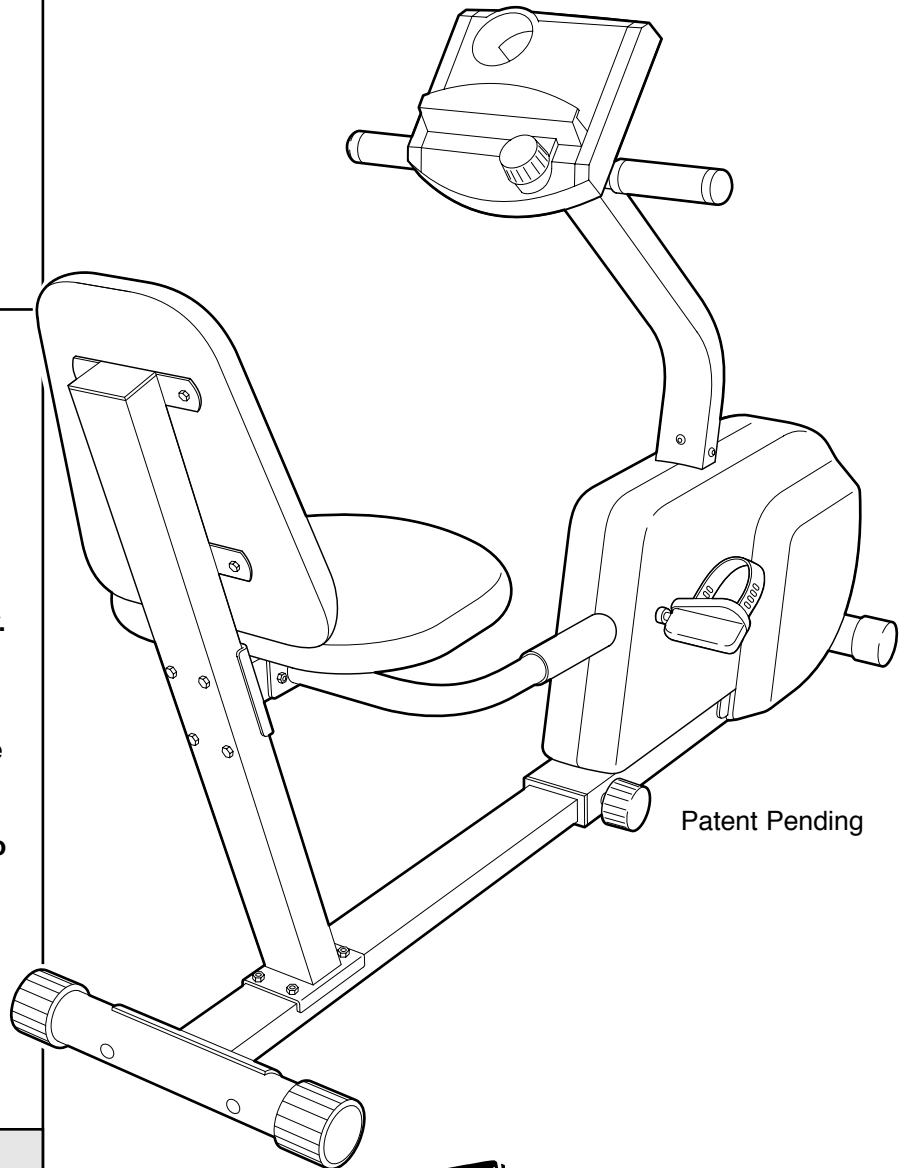
As a manufacturer, we are committed to providing complete customer satisfaction. If you have questions, or if there are missing parts, we will guarantee complete satisfaction through direct assistance from our factory.

TO AVOID DELAYS, PLEASE CALL DIRECT TO OUR TOLL-FREE CUSTOMER HOT LINE. The trained technicians on our customer hot line will provide immediate assistance, free of charge to you.

CUSTOMER HOT LINE:

1-800-999-3756

Mon.-Fri., 6 a.m.-6 p.m. MST



⚠ CAUTION

Read all precautions and instructions in this manual before using this equipment. Keep this manual for future reference.



Visit our website at

www.weslo.com

new products, prizes,
fitness tips, and much more!



TABLE OF CONTENTS

IMPORTANT PRECAUTIONS	3
BEFORE YOU BEGIN	4
ASSEMBLY	5
HOW TO USE THE EXERCISE CYCLE	9
MAINTENANCE AND STORAGE	11
CONDITIONING GUIDELINES	13
PART LIST	14
EXPLODED DRAWING	15
ORDERING REPLACEMENT PARTSBack Cover
LIMITED WARRANTYBack Cover

IMPORTANT PRECAUTIONS

⚠ WARNING: To reduce the risk of serious injury, read the following important precautions before using the exercise cycle.

1. Read all instructions in this manual before using the exercise cycle.
2. Use the exercise cycle only as described in this manual.
3. It is the responsibility of the owner to ensure that all users of the exercise cycle are adequately informed of all precautions. Use the exercise cycle only as described in this manual.
4. Use the exercise cycle indoors on a level surface. Keep the exercise cycle away from moisture and dust. Place a mat under the exercise cycle to protect the floor or carpet.
5. Inspect and properly tighten all parts regularly. Replace any worn parts immediately.
6. Keep children under the age of 12 and pets away from the exercise cycle at all times.
7. The exercise cycle should not be used by persons weighing more than 250 pounds.
8. Wear appropriate clothing when exercising; do not wear loose clothing that could become caught on the exercise cycle. Always wear athletic shoes when using the exercise cycle.
9. Always keep your back straight when using the exercise cycle. Do not arch your back.
10. If you feel pain or dizziness while exercising, stop immediately and begin cooling down.
11. The exercise cycle is intended for in-home use only. Do not use the exercise cycles in a commercial, rental, or institutional setting.
12. The exercise cycle does not have a free wheel; the pedals will continue to move until the flywheel stops.

⚠ WARNING: Before beginning this or any exercise program, consult your physician. This is especially important for persons over the age of 35 or persons with pre-existing health problems. Read all instructions before using. ICON assumes no responsibility for personal injury or property damage sustained by or through the use of this product.

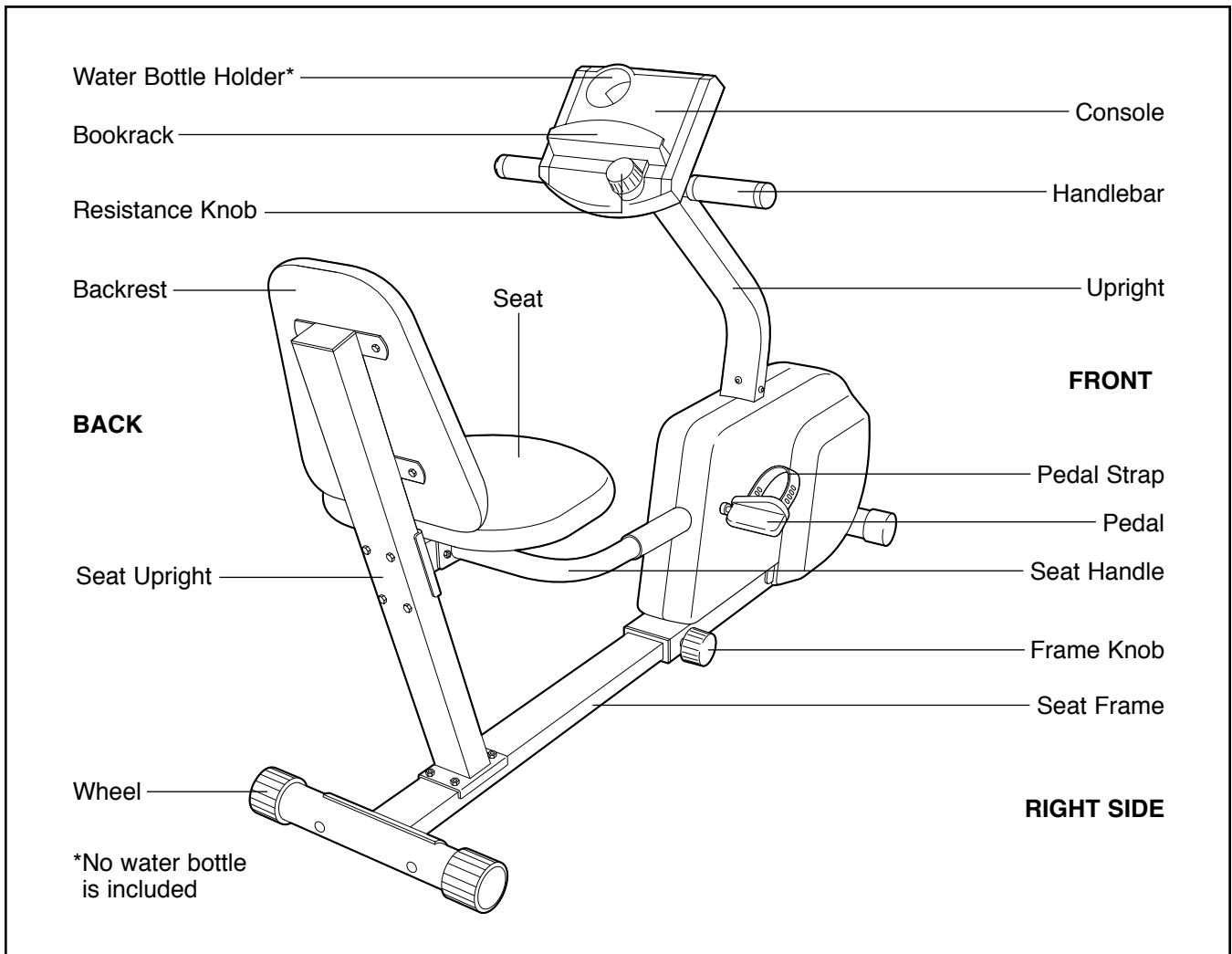
BEFORE YOU BEGIN

Thank you for selecting the new WESLO® PURSUIT E 20 exercise cycle. The PURSUIT E 20 exercise cycle offers an effective form of low-impact exercise that offers greater cardiovascular benefits and increased muscle toning. And the exercise cycle features adjustable resistance to let you tailor your exercise to the level that's perfect for you.

Service Department toll-free at 1-800-999-3756, Monday through Friday, 6 a.m. until 6 p.m. Mountain Time (excluding holidays). To help us assist you, please mention the product model number and serial number when calling. The model number is WLEX13820. The serial number can be found on a decal attached to the exercise cycle (see the front cover of this manual for the location of the decal).


For your benefit, read this manual carefully before you use the exercise cycle. If you have questions after reading this manual, please call our Customer

Before reading further, please familiarize yourself with the parts that are labeled in the drawing below.



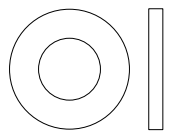
ASSEMBLY

Place all parts of the exercise cycle in a cleared area and remove the packing materials. **Do not dispose of the packing materials until assembly is completed.**

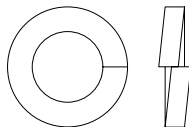
Assembly requires the included tools and your own adjustable wrench  and Phillips screwdriver .

PART CHART

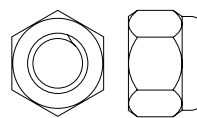
Use the drawings below to identify the small parts used in assembly. The number in parenthesis below each drawing refers to the key number of the part, from the PART LIST on page 14; the second number refers to the quantity needed for assembly. **Note: Some small parts may have been pre-attached for shipping. If a part is not in the parts bag, check to see if it has been pre-assembled.**



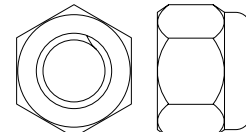
M8 Flat Washer (51)–8



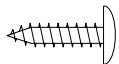
M10 Split Washer (54)–5



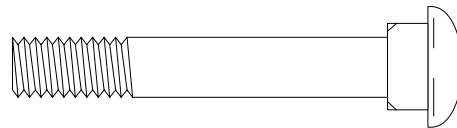
M8 Nylon Locknut (55)–8



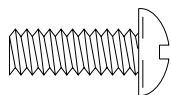
M10 Nylon Locknut (26)–4



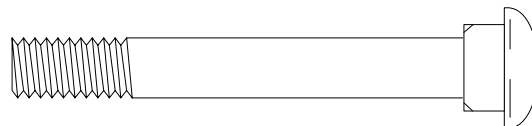
M4 x 16mm Screw (43)–4



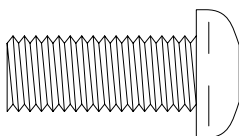
M8 x 54mm Carriage Bolt (11)–4



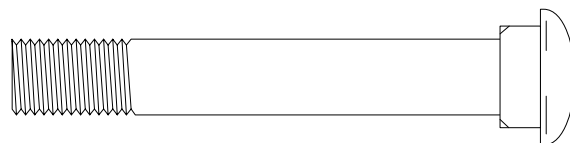
M6 x 16mm Screw (46)–8



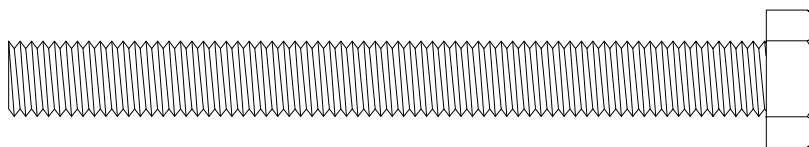
M8 x 66mm Carriage Bolt (52)–4



M10 x 25mm Button Head Screw (53)–5

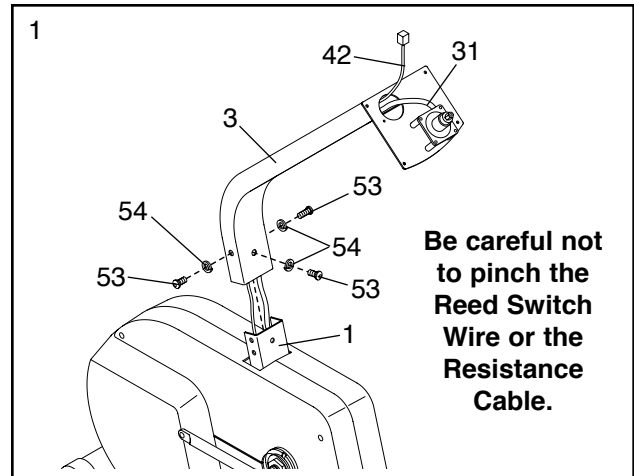


M10 x 70mm Carriage Bolt (27)–2

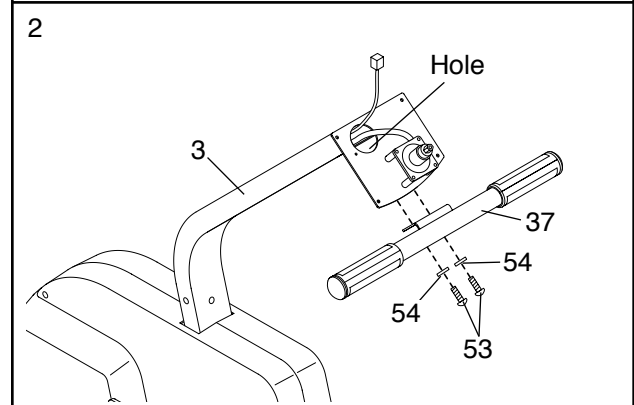


M10 x 97mm Hex Head Bolt (12)–2

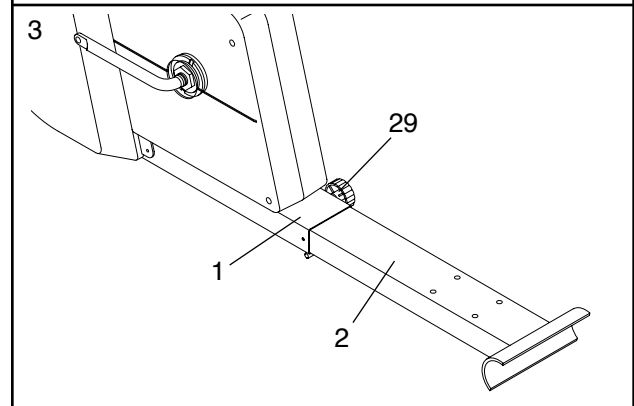
- Carefully slide the Upright (3) onto the Frame (1), while pulling the excess Reed Switch Wire (42) and Resistance Cable (31) up through the Upright. Attach the Upright with three M10 x 25mm Button Head Screws (53) and three M10 Split Washers (54). **Be careful not to pinch the Reed Switch Wire or the Resistance Cable.**



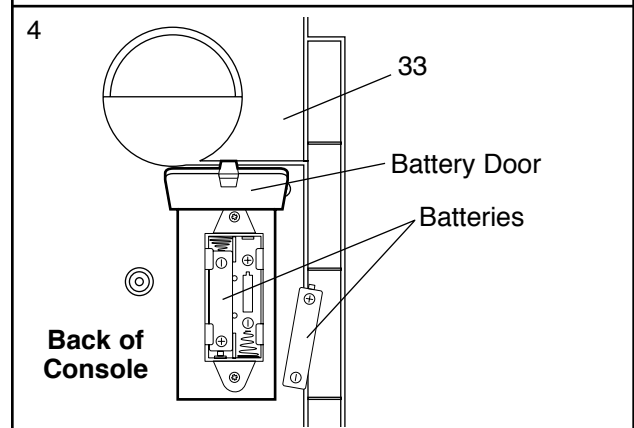
- Attach the Handlebar (37) to the Upright (3) with two M10 Split Washers (54) and two M10 x 25mm Button Head Screws (53).



- Loosen the Frame Knob (29) on the right side of the Frame (1). Slide out the Seat Frame (2) until it stops. Tighten the Frame Knob.

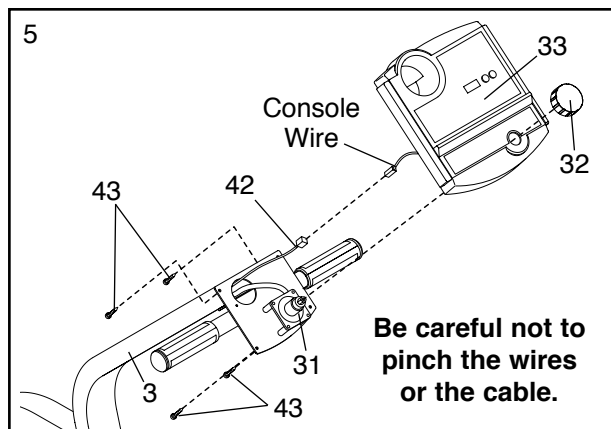


- The Console (33) requires two "AA" batteries (not included); alkaline batteries are recommended. Open the battery door on the back of the Console. Press two batteries into the Console. **Make sure that the negative (-) ends of the batteries are touching the springs.** Close the battery door.

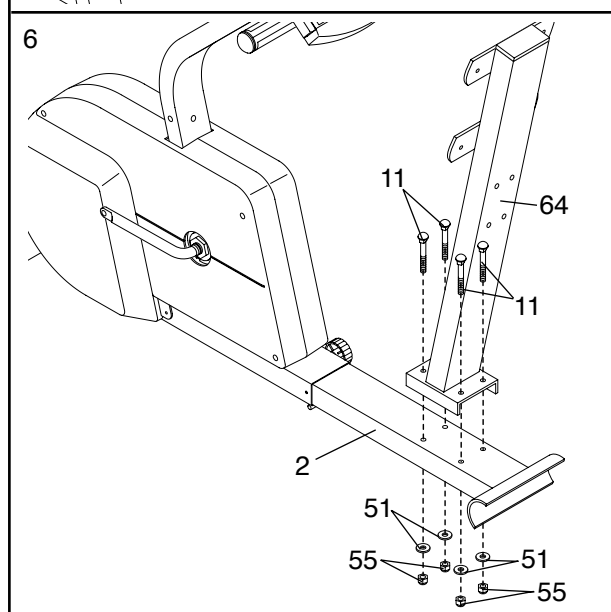


5. Connect the Reed Switch Wire (42) to the corresponding console wire. Insert the excess wire into the Upright.

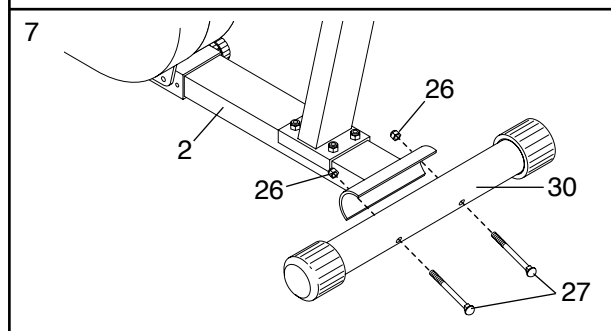
Attach the Console (33) to the Upright (3) with four M4 x 16mm Screws (43). **Be careful not to pinch the wires or the cable.** Press the Resistance Knob (32) onto the Resistance Control (31). Make sure that the mark on the Resistance Knob is correctly aligned.



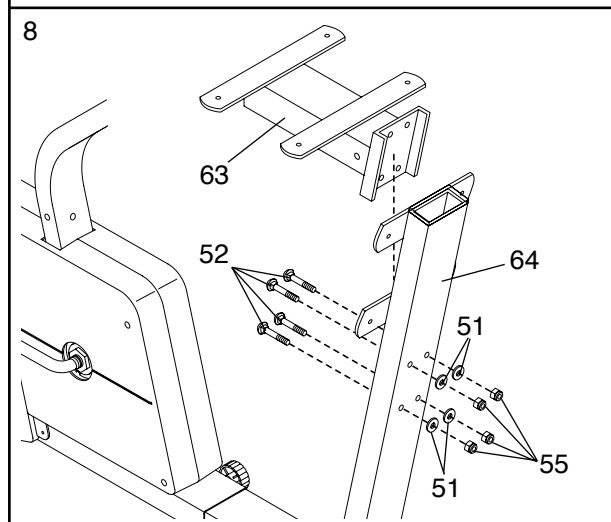
6. Attach the Seat Upright (64) to the Seat Frame (2) with four M8 x 54mm Carriage Bolts (11), four M8 Flat Washers (51), and four M8 Nylon Locknuts (55). Note: It may be helpful to tip the exercise cycle on its side to attach the Seat Upright.



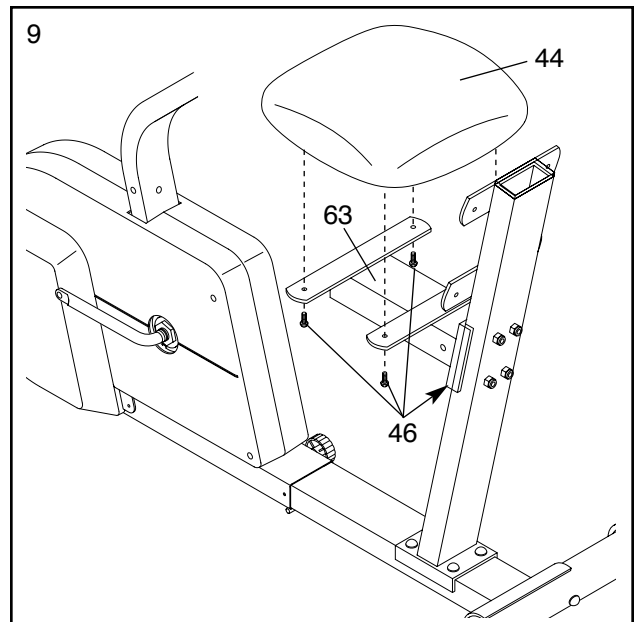
7. Attach the Stabilizer (30) to the Seat Frame (2) with two M10 x 70mm Carriage Bolts (27) and two M10 Nylon Locknuts (26).



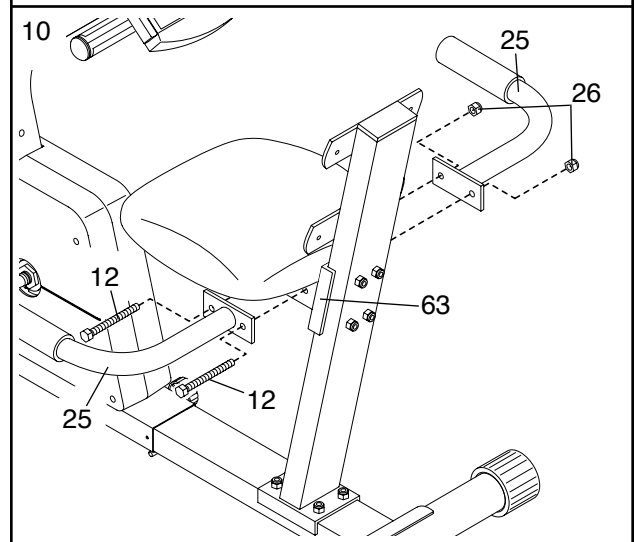
8. Attach the Seat Bracket (63) to the Seat Upright (64) with four M8 x 66mm Carriage Bolts (52), four M8 Flat Washers (51), and four M8 Nylon Locknuts (55).



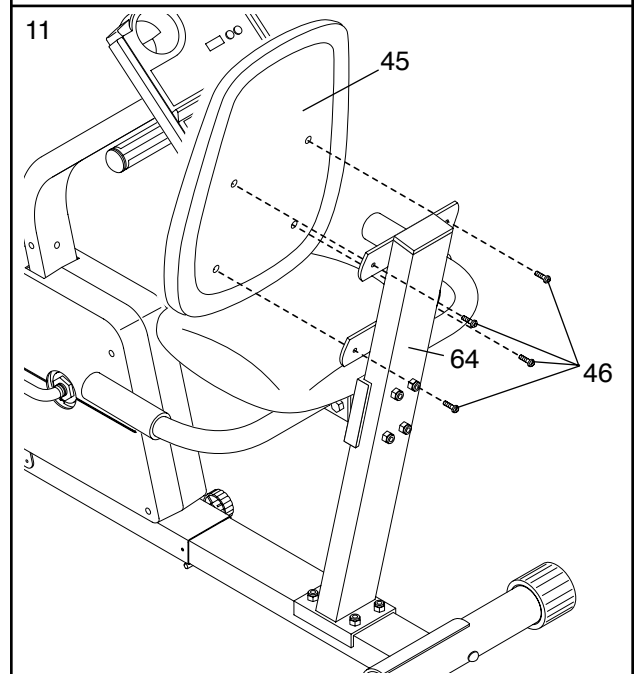
9. Attach the Seat (44) to the Seat Bracket (63) with four M6 x 16mm Screws (46).



10. Attach the Seat Handles (25) to the Seat Bracket (63) with two M10 x 97mm Hex Head Bolts (12) and two M10 Nylon Locknuts (26).



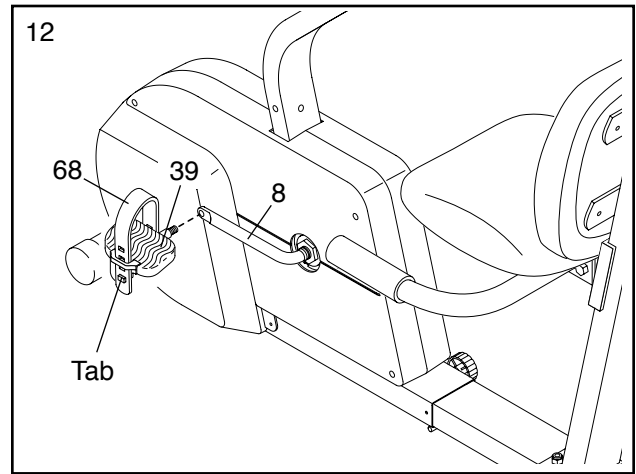
11. Attach the Backrest (45) to the Seat Upright (64) with four M6 x 16mm Screws (46).



12. Identify the Left Pedal (39); there is an "L" on the Left Pedal for identification. Using an adjustable wrench, tighten the Left Pedal counterclockwise into the left arm of the Crank (8). Tighten the Right Pedal (not shown) clockwise into the right arm of the Crank. **Tighten both Pedals as fully as possible.**

Important: After using the exercise cycle for one week, retighten the pedals. For best performance, the pedals must be kept properly tightened.

Adjust the Left Pedal Strap (68) to the desired position. Press the Left Pedal Strap onto the adjustment tab on the Left Pedal (39). Adjust the Right Pedal Strap (not shown) in the same way.

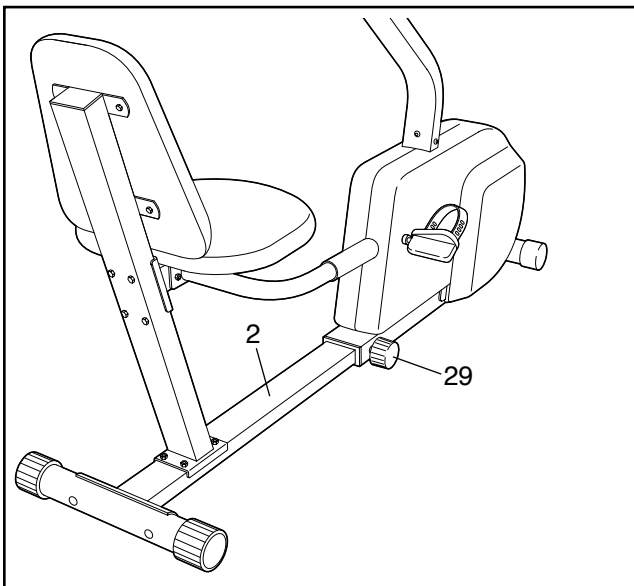


13. **Make sure that all parts are properly tightened before you use the exercise cycle. Note: There may be some hardware left over after assembly is completed.**

HOW TO USE THE EXERCISE CYCLE

HOW TO ADJUST THE POSITION OF THE SEAT FRAME

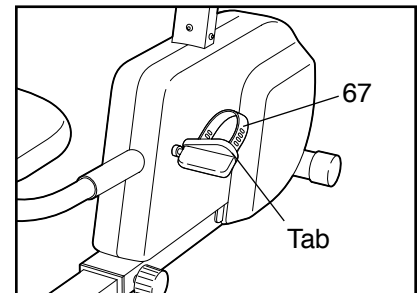
The Seat Frame (2) can be adjusted to the position that is the most comfortable for you. To adjust the Seat Frame, first loosen the Frame Knob (29) on the right side of the Frame. Slide the Seat Frame forward or backward to the desired position. Tighten the Frame Knob.



HOW TO ADJUST THE PEDAL STRAPS

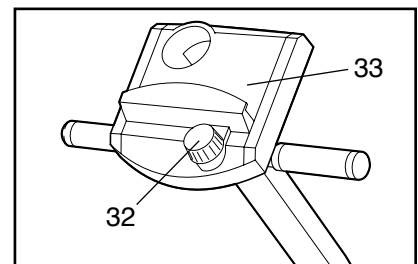
To adjust the right Pedal Strap (67), first pull the Pedal Strap off the adjustment tab on the pedal. Align a different hole in the Pedal Strap with the adjustment tab.

Press the Pedal Strap onto the adjustment tab. Adjust the left Pedal Strap (not shown) in the same way.

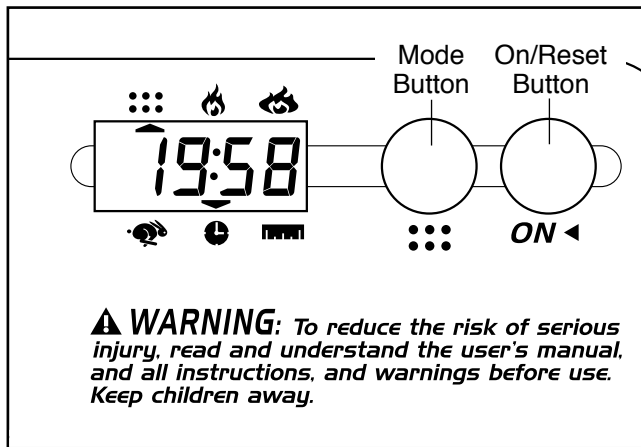


HOW TO ADJUST THE PEDALING RESISTANCE






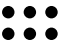
The pedaling resistance can be adjusted with the Resistance Knob (32) located on the Console (33). To increase the resistance, turn the Resistance Knob clockwise; to decrease the resistance, turn the Resistance Knob counterclockwise.



DESCRIPTION OF THE CONSOLE



The innovative console features six modes that provide instant exercise feedback during your workouts:

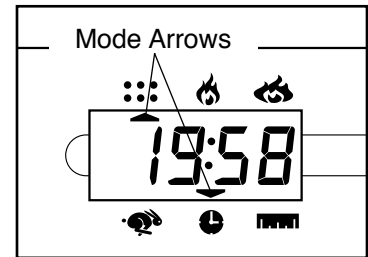
-  Speed—Displays your pedaling speed, in miles per hour.
-  Time—Displays the elapsed time. Note: If you stop pedaling for ten seconds or longer, the time mode will pause until you resume.
-  Distance—Displays the total distance you have pedaled, in miles.
-  Fat Calories—Displays the approximate number of fat calories you have burned. (See BURNING FAT on page 13.)
-  Calories—Displays the approximate number of calories you have burned.
-  Scan—Displays the speed, time, distance, fat calories, and calories modes, for a few seconds each, in a repeating cycle.

HOW TO OPERATE THE CONSOLE

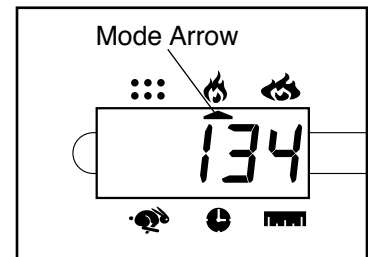
Note: The console requires two “AA” batteries. See assembly step 4 on page 6 for battery installation instructions.

1. To turn on the power, press the on/reset button or simply begin pedaling. When the power is turned on, the entire display will appear for two seconds. The console will then be ready for operation.
2. Select one of the six modes:

Scan mode—
When the power is turned on, the scan mode will automatically be selected. One mode arrow will show that the scan mode is selected, and a flashing mode arrow will show which mode is currently displayed. Note: If a different mode is selected, you can select the scan mode again by repeatedly pressing the mode button.



Speed, time, distance, fat calories, or calories mode—To select one of these modes for continuous display, press the mode button repeatedly. The mode arrows will show which mode is selected. Make sure that the scan mode is not selected.



3. To reset the display, press the on/reset button.
4. To turn off the power, simply wait for a few minutes. **Note: The console has an “auto-off” feature. If the pedals are not moved and the console buttons are not pressed for a few minutes, the power will turn off automatically to conserve the batteries.**

MAINTENANCE AND STORAGE

Inspect and tighten all parts of the exercise cycle regularly. The exercise cycle can be cleaned with a soft, damp cloth. To prevent damage to the console, keep liquids away from the console and keep the console out of direct sunlight.

BATTERY REPLACEMENT

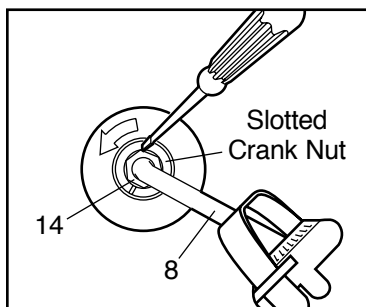
If the console does not function properly, the batteries should be replaced. See assembly step 4 on page 6.

CRANK ADJUSTMENT

If the arms of the Crank (8) become loose, they should be tightened in order to prevent excessive wear.

Loosen the Hex Crank Nuts (14) on the left arm of the Crank. Place

the tip of a standard screwdriver in one of the slots in the slotted crank nut. Tap the screwdriver with a hammer to turn the slotted crank nut counterclockwise until the arms are no longer loose. **Do not overtighten the slotted crank nut.** When the slotted crank nut is properly tightened, tighten the Hex Crank Nuts.

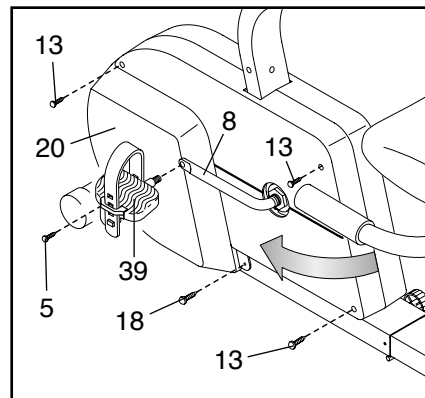


HOW TO REMOVE THE LEFT SIDE SHIELD

To remove the Left Side Shield (20), first turn the Left Pedal (39) clockwise using an adjustable wrench, and remove it.

Next, remove the indicated M4 x 12mm Screw (5), the

M4 x 38mm Self-tapping Screws (13), and the M4 x 10mm Screw (18). Grip both Side Shields and gently pull them apart. Turn the left arm of the Crank (8) to the position shown, and carefully slide the Left Side Shield forward and remove it.

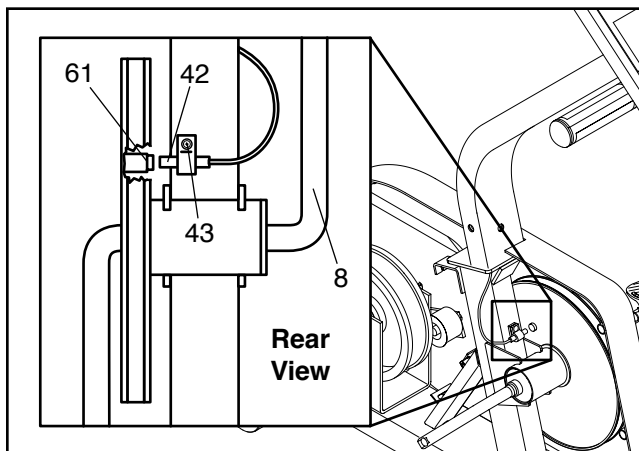


TIGHTENING THE PEDALS

After using the exercise cycle for one week, retighten the pedals. For best performance, the pedals must be kept properly tightened. Check pedal tightness on a weekly basis.

HOW TO ADJUST THE REED SWITCH

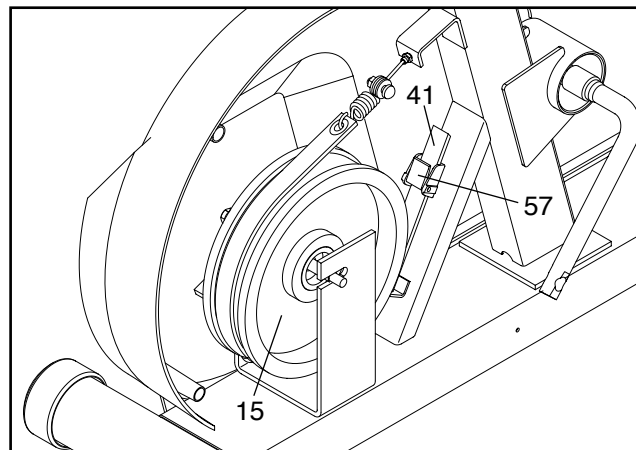
If the console does not display correct feedback, the reed switch may need to be adjusted. To adjust the reed switch, you must first remove the left side shield (see HOW TO REMOVE THE LEFT SIDE SHIELD on page 11).



With the left side shield removed, locate the Reed Switch (42). Turn the Crank (8) until the Magnet (61) is aligned with the Reed Switch. Loosen, but do not remove, the M4 x 16mm Screw (43). Slide the Reed Switch slightly closer to or farther away from the Magnet. Retighten the Screw. Turn the Crank for a moment. Repeat until the console displays correct feedback. When the Reed Switch is correctly adjusted, reattach the left side shield and the left pedal.

HOW TO ADJUST THE RESISTANCE STRAP

If the resistance knob is set on its highest setting and there is not enough resistance, the resistance strap may need to be adjusted. To adjust the resistance strap, you must first remove the left side shield (see HOW TO REMOVE THE LEFT SIDE SHIELD on page 11).



With the left side shield removed, turn the resistance knob to the lowest setting (see HOW TO ADJUST THE PEDALING RESISTANCE on page 9). Open the Strap Clamp (57) and pull the end of the Resistance Strap (41) slightly upward to increase resistance. Close the Strap Clamp and turn the Flywheel (15) to make sure that there is not too much resistance. When the Resistance Strap is properly adjusted, reattach the left side shield and the left pedal.

CONDITIONING GUIDELINES

⚠️ WARNING:

- Before beginning this or any exercise program, consult your physician. This is especially important for individuals over the age of 35 or individuals with pre-existing health problems.

The following guidelines will help you to plan your exercise program. For more information about exercise, consult your physician or obtain a reputable book.

EXERCISE INTENSITY

Whether your goal is to burn fat or to strengthen your cardiovascular system, the key to achieving the desired results is to exercise with the proper intensity. The proper intensity level can be found by using your heart rate as a guide. The chart below shows recommended heart rates for fat burning and aerobic exercise.

165	155	145	140	130	125	115	♥
145	138	130	125	118	110	103	♥
125	120	115	110	105	95	90	♥
<hr/>							
20	30	40	50	60	70	80	

To find the proper heart rate for you, first find your age at the bottom of the chart (ages are rounded off to the nearest ten years). Next, find the three numbers above your age. The three numbers define your “training zone.” The lowest two numbers are recommended heart rates for fat burning; the highest number is the recommended heart rate for aerobic exercise.

Burning Fat

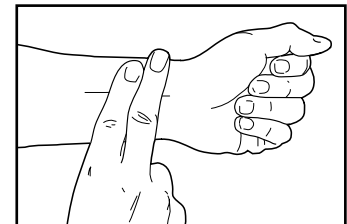
To burn fat effectively, exercise at a relatively low intensity level for a sustained period of time. During the first few minutes of exercise, your body uses easily accessible carbohydrate calories for energy. Only after the first few minutes does your body begin to use stored fat calories for energy. To burn fat, adjust the intensity of your exercise until your heart rate is near the lowest number in your training zone. For maximum fat burning, adjust the intensity of your exercise until your heart rate is near the middle of your training zone.

Aerobic Exercise

If your goal is to strengthen your cardiovascular system, your exercise must be “aerobic.” Aerobic exercise is activity that requires large amounts of oxygen for prolonged periods of time. This increases the demand on the heart to pump blood to the muscles, and on the lungs to oxygenate the blood. For aerobic exercise, adjust the intensity of your exercise until your heart rate is near the highest number in your training zone.

HOW TO MEASURE YOUR HEART RATE

Exercise for at least four minutes. Then, stop exercising and place two fingers on your wrist as shown. Take a six-second heartbeat count, and multiply the result by 10 to find your heart rate. For example, if your six-second heartbeat count is 14, your heart rate is 140 beats per minute. (A six-second count is used because your heart rate will drop rapidly when you stop exercising.)



WORKOUT GUIDELINES

Each workout should include the following three important parts: (1) a warm-up, (2) training zone exercise, and (3) a cool-down.

A Warm-up—Begin each workout with five to ten minutes of stretching and light exercise to warm up. A proper warm-up increases your body temperature, heart rate and circulation in preparation for exercise.

Training Zone Exercise—After warming up, increase the intensity of your exercise until your heart rate is in your training zone for 20 to 30 minutes. Breathe regularly and deeply—never hold your breath.

A Cool-down—Finish each workout with 5 to 10 minutes of stretching. This will increase your flexibility and will help to prevent post-exercise problems.

EXERCISE FREQUENCY

To maintain or improve your condition, plan three workouts each week, with at least one day of rest between workouts. After a few months of regular exercise, you may complete up to five workouts each week if desired. Remember, the key to success is make exercise a regular and enjoyable part of your everyday life.

PART LIST—Model No. WLEX13820

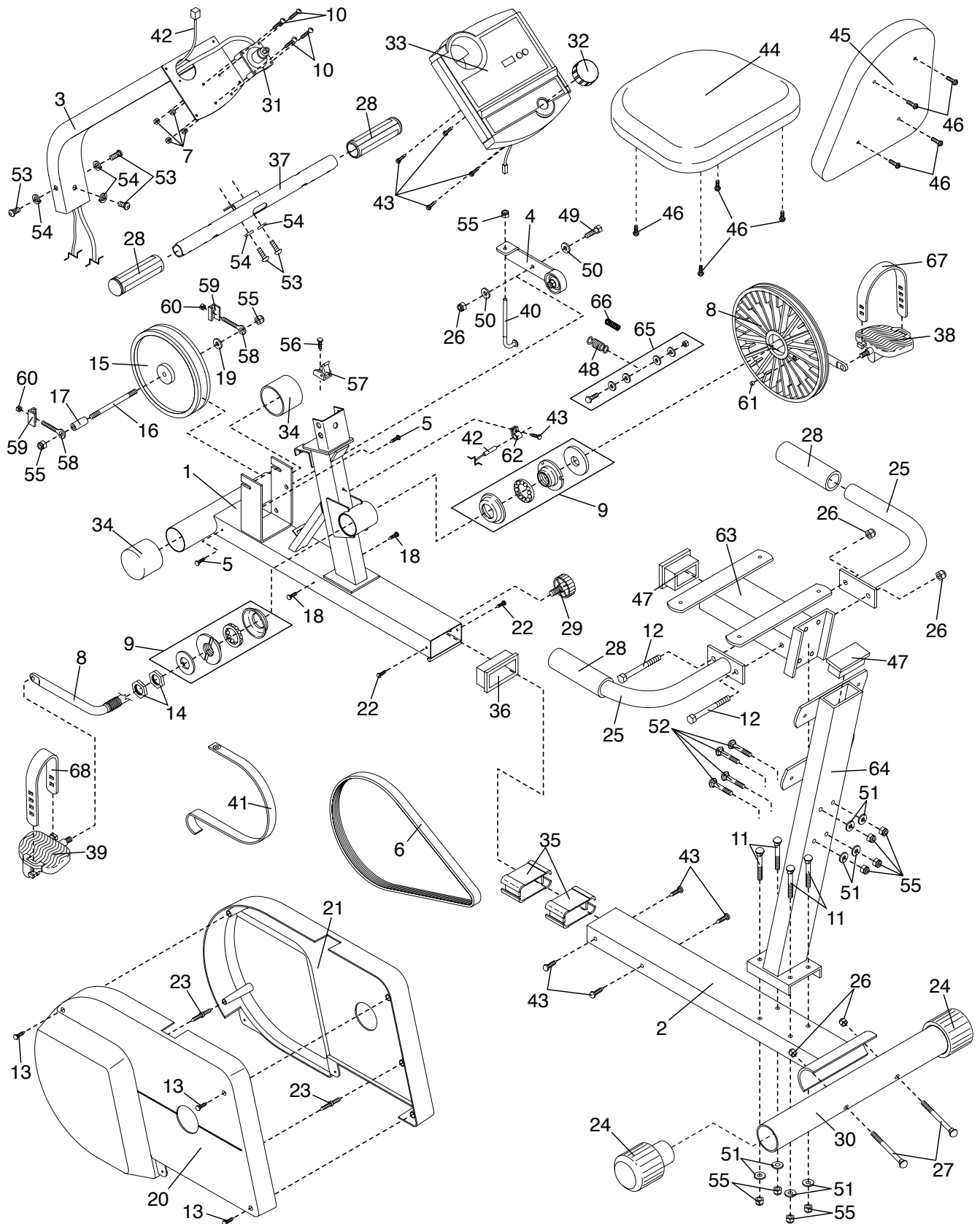
R0802A

Key No.	Qty.	Description	Key No.	Qty.	Description
1	1	Frame	36	1	Frame Bushing
2	1	Seat Frame	37	1	Handlebar
3	1	Upright	38	1	Right Pedal
4	1	Idler Arm	39	1	Left Pedal
5	2	M4 x 12mm Screw	40	1	“J” Bolt
6	1	Drive Belt	41	1	Resistance Strap
7	4	M5 Nut	42	1	Reed Switch w/Wire
8	1	12” Pulley/Crank	43	9	M4 x 16mm Screw
9	1	Bearing Assembly	44	1	Seat
10	4	M5 x 30mm Screw	45	1	Backrest
11	4	M8 x 54mm Carriage Bolt	46	8	M6 x 16mm Screw
12	2	M10 x 97mm Hex Head Bolt	47	2	2” x 3” Endcap
13	3	M4 x 38mm Self-tapping Screw	48	1	Resistance Spring
14	2	Hex Crank Nut	49	1	Idler Arm Screw
15	1	Flywheel Assembly	50	2	Idler Arm Washer
16	1	Flywheel Axle	51	8	M8 Flat Washer
17	1	Flywheel Spacer	52	4	M8 x 66mm Carriage Bolt
18	2	M4 x 10mm Screw	53	5	M10 x 25mm Button Head Screw
19	1	5/16” Flat Washer	54	5	M10 Split Washer
20	1	Left Side Shield	55	11	M8 Nylon Locknut
21	1	Right Side Shield	56	1	M4 x 16mm Flat Head Screw
22	2	M4 x 8mm Screw	57	1	Strap Clamp
23	2	Tree Fastener	58	2	M6 Eyebolt
24	2	Wheel Assembly	59	2	Adjustment Bracket
25	2	Seat Handle	60	2	M6 Nut
26	5	M10 Nylon Locknut	61	1	Magnet
27	2	M10 x 70mm Carriage Bolt	62	1	Cable Clamp
28	4	Foam Grip	63	1	Seat Bracket
29	1	Frame Knob	64	1	Seat Upright
30	1	Stabilizer	65	1	Clamp Hardware
31	1	Resistance Control/Cable	66	1	Tension Spring
32	1	Resistance Knob	67	1	Right Pedal Strap
33	1	Console	68	1	Left Pedal Strap
34	2	Stabilizer Endcap	#	1	User’s Manual
35	2	Seat Frame Bushing			

Note: “#” refers to a non-illustrated part. Specifications are subject to change without notice. See the back cover of this manual for information about ordering replacement parts.

EXPLODED DRAWING—Model No. WLEX13820

R0802A



ORDERING REPLACEMENT PARTS

To order replacement parts, call our Customer Service Department toll-free at 1-800-999-3756, Monday through Friday, 6 a.m. until 6 p.m. Mountain Time (excluding holidays). To help us assist you, please be prepared to give the following information:

- The MODEL NUMBER of the product (WLEX13820)
- The NAME of the product (WESLO® PURSUIT E 20 exercise cycle)
- The SERIAL NUMBER of the product (see the front cover of this manual)
- The KEY NUMBER and DESCRIPTION of the part(s) (see the PART LIST on page 14)

LIMITED WARRANTY

ICON Health & Fitness, Inc. (ICON), warrants this product to be free from defects in workmanship and material, under normal use and service conditions, for a period of ninety (90) days from the date of purchase. This warranty extends only to the original purchaser. ICON's obligation under this warranty is limited to replacing or repairing, at ICON's option, the product through one of its authorized service centers. All repairs for which warranty claims are made must be pre-authorized by ICON. This warranty does not extend to any product or damage to a product caused by or attributable to freight damage, abuse, misuse, improper or abnormal usage or repairs not provided by an ICON authorized service center, products used for commercial or rental purposes, or products used as store display models. No other warranty beyond that specifically set forth above is authorized by ICON.

ICON is not responsible or liable for indirect, special or consequential damages arising out of or in connection with the use or performance of the product or damages with respect to any economic loss, loss of property, loss of revenues or profits, loss of enjoyment or use, costs of removal, installation or other consequential damages of whatsoever nature. Some states do not allow the exclusion or limitation of incidental or consequential damages. Accordingly, the above limitation may not apply to you.

The warranty extended hereunder is in lieu of any and all other warranties and any implied warranties of merchantability or fitness for a particular purpose is limited in its scope and duration to the terms set forth herein. Some states do not allow limitations on how long an implied warranty lasts. Accordingly, the above limitation may not apply to you.

This warranty gives you specific legal rights. You may also have other rights which vary from state to state.

ICON HEALTH & FITNESS, INC., 1500 S. 1000 W., LOGAN, UT 84321-9813

Free Manuals Download Website

<http://myh66.com>

<http://usermanuals.us>

<http://www.somanuals.com>

<http://www.4manuals.cc>

<http://www.manual-lib.com>

<http://www.404manual.com>

<http://www.luxmanual.com>

<http://aubethermostatmanual.com>

Golf course search by state

<http://golfingnear.com>

Email search by domain

<http://emailbydomain.com>

Auto manuals search

<http://auto.somanuals.com>

TV manuals search

<http://tv.somanuals.com>