

WEST BEND®

HOUSEWARES

COFFEEMAKER

Instruction Manual



Register this and other West Bend® Housewares products through our website:

www.westbend.com

Important Safeguards.....	2
Heat Precautions.....	2
Electricity Precautions.....	3
Precautions For Use Around Children.....	4
Using Your Coffeemaker.....	4-5
Cleaning Your Coffeemaker.....	6
Warranty.....	7

SAVE THIS INSTRUCTION MANUAL FOR FUTURE REFERENCE

IMPORTANT SAFEGUARDS



CAUTION

To prevent personal injury or property damage, read and follow all instructions and warnings.

When using electrical appliances, basic safety precautions should always be followed including the following:

- Read all instructions, including these important safeguards and the care and use instructions in this manual.
- Do not use appliance for other than intended use.
- Do not place on or near a hot gas or electric burner, or in a heated oven.
- Do not operate when the appliance is not working properly or when it has been damaged in any manner. For service information see warranty page.
- The use of accessory attachments not recommended by West Bend® Housewares may result in fire, electric shock or injury to persons.
- Do not attempt to repair this appliance yourself.
- Do not use this appliance on the stovetop, under a broiler, in the oven, or in the refrigerator or freezer.
- **For household use only.**



CAUTION

To prevent burns, personal injury or property damage, read and follow all instructions and warnings.



HEAT PRECAUTIONS

- Do not touch hot surfaces. Use handles and knobs where provided. Use hot pads or oven mitts when handling hot surfaces.
- Extreme caution must be used when moving an appliance containing hot oil or other hot liquids.
- Make sure cover, basket, stem and cord are properly attached before coffeemaker is plugged in. No part of the coffeemaker should be removed during the brewing cycle as scalding may occur.



CAUTION

To prevent electrical shock, personal injury or property damage, read and follow all instructions and warnings.



ELECTRICITY PRECAUTIONS

- To protect against fire, electric shock and injury to persons do not immerse cord, plugs, or other electric parts in water or other liquids.
- Do not operate any appliance with a damaged cord or plug.
- Do not use this appliance outdoors.
- Always attach plug to appliance first, then plug cord into the wall outlet. To disconnect, turn any control to "off", then remove plug from wall outlet.
- Always unplug from outlet when not in use and before cleaning and allow to cool before putting on or taking off parts.
- Your appliance has a short cord as a safety precaution to avoid pulling, tripping or entanglement. Position the cord so that it does not hang over the edge of the counter, table or other area or touch hot surfaces.
- While use of an extension cord is not recommended, if you must use one, make sure the cord has the same or higher wattage as the coffeemaker (wattage is stamped on the underside of the base). To avoid pulling, tripping or entanglement, position the extension cord so that it does not hang over the edge of the counter, table or other area.
- Use an electrical outlet that accommodates the polarized plug on the appliance. On a polarized plug, one blade of the plug is wider than the other. If the plug does not fit fully into the outlet or extension cord, reverse the plug. If the plug still does not fit, contact a qualified electrician. Do not attempt to modify the plug in any way.
- Do not use an outlet or extension cord if the plug fits loosely or if the outlet or extension cord feels hot.
- Keep the cord away from hot parts of the appliance and hot surfaces during operation.



CAUTION

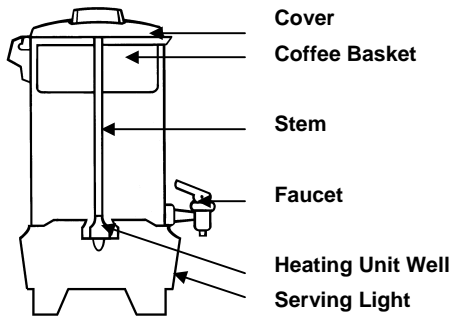
To prevent burns or other personal injuries to children, read and follow all instructions and warnings.

PRECAUTIONS FOR USE AROUND CHILDREN

- Always supervise children.
- Do not allow children to operate or be near the appliance, as the outside surfaces are hot during use.
- Do not allow cord to hang over any edge where a child can reach it. Arrange cord to avoid pulling, tripping or entanglement.

SAVE THESE INSTRUCTIONS

USING YOUR COFFEEMAKER



Before using the coffeemaker for the first time, clean it thoroughly. Refer to Cleaning Your Coffeemaker section.

Water Level	Amount of Ground Coffee	Water Level	Amount of Ground Coffee
42 Cups	2 ½ Cups	24 Cups	1 ½ Cups
36 Cups	2 Cups	22 Cups	1 ½ Cups
30 Cups	1 ¾ Cups	18 Cups	1 ¼ Cups
28 Cups	1 2/3 Cups	12 Cups	1 Cup

SPECIAL NOTE ON GRINDING COFFEE BEANS: If grinding your own coffee beans, grind to medium coarseness for best results. **DO NOT** grind too fine (powder-like) as this can cause basket to flood. Use standard measuring cups to measure coffee. Do not allow ground coffee to fall into stem. The amount of coffee recommended will produce mild coffee, which most people prefer.

1. With basket and stem removed, fill coffeemaker with COLD water to desired level using the cup markings on inside of coffeemaker as a guide. Do not make less than 12 or more than maximum capacity of the coffeemaker at one time.
2. Place stem into heating unit in bottom of coffeemaker, then put basket on stem. Spread the recommended amount of ground coffee evenly into the basket. See chart. Use regular electric perk grind coffee or coffee ground for all coffeemakers. *Do not use drip or finely ground coffee as flooding of the basket can occur.*
3. Turn cover in place on coffeemaker. To reduce coffee spills, especially if coffeemaker is tipped over, make sure cover has been turned clockwise until it is completely secured in the handle slots. (Note the arrows on the cover for correct turning.) The cover temporarily reduces coffee spillage if coffeemaker is tipped over, so care should be used when moving coffeemaker.
4. Place coffeemaker on a dry, level surface. Attach cord to coffeemaker and plug into a 120 volt AC electrical outlet **ONLY**.
5. Coffeemaker stops perking automatically. (Each cup of coffee requires about 1 minute brewing time) Serving light will glow when coffee is ready. Before serving, use a hot pad to remove cover, then carefully remove stem and basket from coffeemaker as coffee and grounds are HOT. If not removed, bitter oils from the coffee grounds will drip into coffee. Replace the cover making sure it is completely secured into the handle slots.
6. Coffee will remain at serving temperature as long as coffeemaker is connected to outlet. (if you have an insulated coffeemaker, the sealed-air insulation will keep coffee hot for up to two hours without electricity.) To serve, place cup and saucer under faucet and press down on handle. If a continuous flow is desired to fill a carafe, lift handle straight up until it locks into open position. When approximately one cup of coffee remains in coffeemaker, disconnect from outlet.

TO MAKE MORE COFFEE: If another pot of coffee is desired right away, partially fill coffeemaker with cold water to reset the thermostat. Pour out water, refill with cold water and repeat steps 1-6.

TO HEAT WATER FOR INSTANT BEVERAGES: Plain water may be heated in your coffeemaker for use with instant beverages. Simply fill the clean coffeemaker with cold water to the desired cup level, and then place the stem and empty coffee basket in place. Using the stem and empty basket will heat the water more uniformly. Secure cover in place and plug coffeemaker in. Heat water until perking stops and serving light comes on. Unplug coffeemaker when less than 1 cup remains. **Other than making coffee or heating water, no other liquid should be heated in coffeemaker as damage to heating unit can occur.**

When coffeemaker is used to heat water only, the metal inside will discolor which is normal and does not affect performance or the water heated in the coffeemaker. Refer to Special Cleaning Instructions in this manual for removing discoloration as well as mineral deposits, which form inside the coffeemaker when heating water. If these deposits are not removed, pitting of the metal inside may occur and result in damage to coffeemaker. Refer to the cleaning your coffeemaker section.

CLEANING YOUR COFFEEMAKER

Improper cleaning of the coffeemaker, especially the heating unit well will affect performance of the coffeemaker, resulting in weak, lukewarm coffee and may even cause the coffeemaker to stop perking. To keep your coffeemaker working properly, it is important to follow all cleaning instructions after each use.

1. Unplug coffeemaker and allow to cool before cleaning.
2. Clean basket, stem and cover in hot soapy water with a dishcloth, rinse and dry. Coffee stains on underside of cover or stem may be removed by scouring with a damp cloth and a non-abrasive cleanser.
3. Clean inside of coffeemaker by filling with hot water until about one-third full. Add small amount of liquid dishwasher detergent and wash with a dishcloth or sponge. Then clean the heating unit well (where stem fits) with a scouring pad, to remove coffee residue. Twist pad inside heating unit well to clean thoroughly.
IMPORTANT: If heating unit well is not kept clean, coffeemaker will not perform properly.
4. After cleaning inside of coffeemaker, drain and rinse inside. Clean faucet by letting clear water run through it into sink, while moving faucet handle up and down. Drain water from inside of coffeemaker and dry.
5. Clean outside of coffeemaker with a damp cloth and dry with a soft cloth. Do not use abrasive metal scouring pads or cleansers on outside of coffeemaker as scratching will occur.

DO NOT WASH COFFEEMAKER PARTS IN AN AUTOMATIC DISHWASHER.

SPECIAL CLEANING INSTRUCTIONS

To Remove Mineral Deposits: If coffeemaker is used daily, a special cleaning every 2 weeks OR every week if used for heating water, is necessary. Fill coffeemaker with 1 quart each of water and white distilled vinegar. (If a white mineral buildup has formed on inside of coffeemaker, use an additional 2 cups of vinegar.) Place stem and empty coffee basket in place, secure cover onto coffeemaker and plug in. Allow coffeemaker to complete perking cycle, then let stand for 10 to 15 minutes. Unplug and drain coffeemaker. Allow to cool and follow general cleaning instructions.

To Remove Discoloration: Inside of the coffeemaker can discolor when used for heating water, which is normal. To remove/lighten discoloration, fill coffeemaker with water to the level of discoloration (at least to the 12 cup level, but not past maximum cup level). Place stem and empty basket in place. For every 12 cups of water added to coffeemaker, add 2 teaspoons cream of tartar to basket. Secure cover onto coffeemaker, plug cord into coffeemaker and then into outlet and allow coffeemaker to complete perk cycle. Let stand for 15 to 20 minutes or until discoloration is lightened. Unplug cord and drain coffeemaker. Allow to cool and follow general cleaning instructions.

Do not use baking soda to clean coffeemaker, as it will discolor inside metal.

After frequent use, coffee residue may collect inside faucet. To clean, unscrew top half of faucet. Move a small brush up and down through faucet. Insert brush through opening inside coffeemaker to clean faucet connection. Rinse and replace top half of faucet.

PRODUCT WARRANTY

Appliance 1 Year Limited Warranty

West Bend® Housewares, LLC warrants this appliance from failures in the material and workmanship for 1 year from the date of original purchase, provided the appliance is operated and maintained in conformity with the West Bend® Housewares, LLC Instruction Manual. Any failed part of the appliance will be repaired or replaced without charge at West Bend® Housewares, LLC discretion. This warranty applies to indoor household use only.

The West Bend® Housewares, LLC warranty does not cover any damage, including discoloration, to any non-stick surface of the appliance. The West Bend® Housewares, LLC warranty is null and void, as determined solely by West Bend® Housewares, LLC, if the appliance is damaged through accident, misuse or abuse, scratching, overheating, or if the appliance is altered in any way or if used outside of an indoor household setting.

This warranty gives you specific legal rights. You may also have other rights, which may vary from state to state.

THIS WARRANTY IS IN LIEU OF ALL IMPLIED WARRANTIES, INCLUDING WARRANTIES OF MERCHANTABILITY, FITNESS FOR A PARTICULAR PURPOSE, PERFORMANCE, OR OTHERWISE, WHICH ARE HEREBY EXCLUDED. IN NO EVENT SHALL WEST BEND® HOUSEWARES, LLC BE LIABLE FOR ANY DAMAGES, WHETHER DIRECT, IMMEDIATE, INCIDENTAL, FORESEEABLE, CONSEQUENTIAL, OR SPECIAL, ARISING OUT OF OR IN CONNECTION WITH ITS APPLIANCE.

If you think the appliance has failed or requires service within its warranty period, return it to the original place of purchase. For further details please contact the West Bend® Housewares Customer Service Department at (262) 334-6949 or e-mail us at housewares@westbend.com. Return shipping fees are non-refundable. Hand-written receipts are not accepted. West Bend Housewares, LLC is not responsible for returns lost in transit.

Valid only in USA and Canada

REPLACEMENT PARTS

Replacement parts may be ordered direct from West Bend® Housewares, LLC by ordering online at www.westbend.com: Replacement Parts. Or you may call or e-mail the service department at the number/e-mail address listed above, or by writing to us at:

West Bend Housewares, LLC
Attn: Customer Service
P.O. Box 2780
West Bend, WI 53095

Be sure to include the catalog/model number of your appliance (located on the bottom/back of the unit) and a description and quantity of the part you wish to order. Along with this include your name, mailing address, Visa/MasterCard number, expiration date and the name as it appears on the card. Checks can be made payable to West Bend Housewares, LLC Call Customer Service to obtain purchase amount. Your state's sales tax and a shipping/processing fee will be added to your total charge. Please allow two (2) weeks for delivery.

This manual contains important and helpful information regarding the safe use and care of your new West Bend® Housewares, LLC product. For future reference, attach dated sales receipt for warranty proof of purchase and record the following information:

Date purchased or received as gift: _____

Where purchased and price, if known: _____

Item Number and Date Code (shown bottom/back of product): _____

Notes

WEST BEND®

HOUSEWARES

CAFETIERE

Mode d'emploi



Enregistrez ce produit et les autres produits West Bend® Housewares sur notre site Internet :

www.westbend.com

Précautions importantes.....	2
Précautions de sécurité à haute température.....	2
Précautions de sécurité relative à l'électricité.....	3
Précautions pour une utilisation en présence d'enfants	4
Utilisation de votre cafetière	4-5
Nettoyage de votre cafetière	6
Garantie	7

CONSERVEZ CE MODE D'EMPLOI POUR UNE CONSULTATION ULTERIEURE

PRECAUTIONS IMPORTANTES



MISE EN GARDE

Pour empêcher toute blessure physique ou tout dommage matériel, lisez et suivez toutes les consignes et mises en garde.

Lorsque vous utilisez des appareils électriques, les précautions de sécurité élémentaires devraient toujours être respectées, notamment les précautions ci-dessous :

- Lisez toutes les instructions, notamment les présentes précautions importantes, ainsi que les consignes pour l'entretien de ce manuel.
- N'utilisez pas l'appareil pour un autre usage que celui pour lequel il a été conçu.
- Ne placez pas cet appareil sur ou à proximité d'une gazinière ou d'un réchaud électrique, ni à l'intérieur d'un four chaud.
- N'utilisez pas cet appareil s'il ne fonctionne pas correctement ou s'il a été détérioré de quelque manière que ce soit. Pour des renseignements concernant les réparations, voir la page de garantie.
- L'utilisation d'accessoires non recommandés par West Bend® Housewares risque de provoquer un incendie, un choc électrique voire des blessures.
- N'essayez pas de réparer cet appareil vous-même.
- N'utilisez pas cet appareil au-dessus du feu, sous un grill, au four, dans le réfrigérateur ni au congélateur.
- **Pour une utilisation domestique uniquement.**



MISE EN GARDE

Pour empêcher toute brûlure, toute blessure physique ou tout dommage matériel, lisez et suivez toutes les consignes et mises en garde.



PRECAUTIONS DE SECURITE A HAUTE TEMPERATURE

- Ne touchez pas les surfaces à haute température. Utilisez les poignées rectangulaires et rondes lorsque celles-ci sont fournies. Utilisez des maniques ou des gants de cuisine lorsque vous manipulez des surfaces à haute température.
- Vous devez faire preuve d'une extrême prudence lorsque vous déplacez un appareil contenant de l'huile ou tout autre liquide à haute température.
- Vérifiez que le couvercle, le filtre, la tige et le cordon d'alimentation sont correctement fixés avant de brancher la cafetière. Aucune pièce de la cafetière ne devrait être retirée pendant le cycle de préparation du café car il existe un risque de brûlure.



MISE EN GARDE

Pour empêcher tout choc électrique, toute blessure physique ou tout dommage matériel, lisez et suivez toutes les consignes et mises en garde.



PRECAUTIONS DE SECURITE RELATIVE A L'ELECTRICITE

- Pour vous protéger contre les incendies, les chocs électriques et les blessures, n'immergez pas le cordon, les fiches ni toute autre pièce électrique dans l'eau ou dans d'autres liquides.
- N'utilisez aucun appareil électrique dont le cordon ou la fiche est en mauvais état.
- N'utilisez pas cet appareil en extérieur.
- Fixez toujours la fiche à l'appareil en premier, ensuite brancher la fiche dans la prise secteur. Pour débrancher l'appareil, tournez toute commande sur « off » puis retirez la fiche de la prise murale.
- Débranchez toujours de la prise secteur lorsque vous n'utilisez pas l'appareil et avant de le nettoyer et laissez-le refroidir avant de placer ou de retirer des pièces.
- Le fait que votre appareil dispose d'un cordon court constitue une précaution de sécurité visant à éviter que celui-ci soit tiré, que quelqu'un s'y prenne les pieds ou que celui-ci s'emmêle. Positionnez le cordon de sorte qu'il ne pende pas au-dessus du bord du plan de travail, de la table ou de toute autre surface ou qu'il n'entre en contact avec aucune surface à haute température.
- Bien que l'utilisation d'un cordon de rallonge ne soit pas recommandée, si vous devez en utiliser un, veillez à ce que ce cordon supporte le même nombre de watts ou un nombre de watts plus élevé que la cafetière (le nombre de watts est inscrit au-dessous de la tige de l'appareil). Positionnez le cordon de rallonge de sorte qu'il ne pende pas au-dessus du bord du plan de travail, de la table ou de toute autre surface.
- Utilisez une prise secteur qui accepte la fiche polarisée de l'appareil. Sur une fiche polarisée, une des lames de la fiche est plus large que l'autre. Si la fiche ne s'enfonce pas complètement dans la prise secteur ou dans le cordon de rallonge, retournez-la. Si la fiche ne s'adapte toujours pas, contactez un électricien qualifié. N'essayez pas de modifier la fiche de quelque manière que ce soit.
- N'utilisez pas une prise secteur ou un cordon de rallonge si la fiche s'y adapte avec un jeu ou si cette prise secteur ou ce cordon de rallonge vous semblent chauds.
- Maintenez le cordon à l'écart des pièces de l'appareil et des surfaces à haute température pendant l'utilisation.



MISE EN GARDE

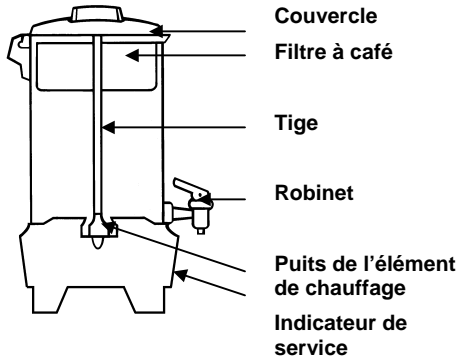
Pour empêcher toute brûlure ou toute autre blessure physique des enfants, lisez et suivez toutes les consignes et mises en garde.

PRECAUTIONS POUR UNE UTILISATION EN PRESENCE D'ENFANTS

- Ne laissez jamais les enfants sans surveillance.
- Ne laissez pas des enfants utiliser l'appareil ni s'en approcher car la température des surfaces extérieures est très élevée pendant l'utilisation.
- Ne laissez pas le cordon pendre au-dessus de toute extrémité où un enfant risquerait de l'atteindre. Positionnez le cordon de façon à éviter qu'il soit tiré, qu'on s'y prenne les pieds ou qu'il s'emmêle.

CONSERVEZ CES CONSIGNES

UTILISATION DE VOTRE CAFETIERE



Avant d'utiliser cette cafetière pour la première fois, veuillez la nettoyer de manière approfondie. Voir la section Nettoyage de votre cafetière.

Niveau d'eau	Quantité de café moulu	Niveau d'eau	Quantité de café moulu
42 tasses	2 ½ mesures	24 tasses	1 ½ mesures
36 tasses	2 mesures	22 tasses	1 ½ mesures
30 tasses	1 ¾ mesures	18 tasses	1 ¼ mesures
28 tasses	1 2/3 mesures	12 tasses	1 mesure

REMARQUE SPECIALE SUR LA FAÇON DE MOUDRE LES GRAINS DE CAFE.

Si vous souhaitez moulin votre café vous-mêmes, faites-le avec des grains moyens à grossiers pour obtenir de meilleurs résultats. **NE PAS** moulin le café trop fin (comme de la poudre) car cela risque de provoquer le débordement du filtre. Utilisez des mesures ordinaires pour mesurer le café. Ne laissez pas de café moulu tomber à l'intérieur de la tige. La quantité de café recommandée produira un café de force moyenne, ce que la plupart des gens préfère.

1. Le filtre et la tige étant retirés, remplissez la cafetière d'eau FROIDE jusqu'au niveau souhaité en vous aidant des marques représentant des tasses à l'intérieur de la cafetière. Ne préparez pas moins de 12 tasses ou plus de la capacité maximale de la cafetière en une seule fois.
2. Placez la tige à l'intérieur de l'élément chauffant au bas de la cafetière puis placez le filtre sur la tige. Etalez la quantité de café moulu recommandée uniformément dans le filtre. Voir le tableau. Utilisez du café moulu pour percolateur électrique ou du café moulu pour toutes les cafetières. *N'utilisez pas de café liquide ou finement moulu car cela risque de provoquer le débordement du filtre.*
3. Tournez le couvercle mis en place sur la cafetière. Afin de diminuer les pertes de café, en particulier si la cafetière est renversée, assurez-vous que le couvercle a été tourné dans le sens des aiguilles d'une montre jusqu'à ce qu'il soit complètement bloqué dans les fentes de la poignée. (Regardez les flèches sur le couvercle pour tourner correctement.) Le couvercle réduit temporairement la quantité de café renversé si la cafetière est renversée ; c'est pourquoi vous devriez faire attention en déplaçant la cafetière.
4. Placez la cafetière sur une surface sèche et plane. Fixez le cordon d'alimentation à la cafetière puis branchez-le dans une prise secteur de 120 volts AC **UNIQUEMENT**.
5. La cafetière arrête la percolation automatiquement. (Chaque tasse de café nécessite une durée de préparation d'environ 1 minute.) L'indicateur de service s'allume lorsque le café est prêt. Avant de servir, utilisez une manique pour retirer le couvercle puis retirez la tige et le filtre de la cafetière avec prudence car le café et les grains sont TRES CHAUDS. Si vous ne les retirez pas, les huiles amères du café moulu s'écouleront dans le café. Remettez le couvercle en place en vous assurant qu'il est complètement coincé dans les fentes de la poignée.
6. Le café reste à la température de service tant que la cafetière est raccordée à la prise secteur. (Si votre cafetière est isolée, l'isolation par l'air maintiendra le café au chaud pendant deux heures au maximum sans électricité.) Pour servir, placez la tasse et la soucoupe sous le robinet puis appuyez la poignée vers le bas. Si vous souhaitez un flux continu pour remplir une carafe, soulevez la poignée en la maintenant bien droite jusqu'à ce qu'elle se coince en position ouverte. Lorsqu'il reste environ une tasse de café dans la cafetière, débranchez-la de la prise secteur.

POUR PREPARER DAVANTAGE DE CAFE : Si vous souhaitez une autre cafetière tout de suite, remplissez partiellement la cafetière d'eau pour réinitialiser le thermostat. Videz l'eau, remplissez à nouveau la cafetière d'eau froide puis répétez les étapes 1 à 6.

POUR CHAUFFER DE L'EAU POUR DES BOISSONS INSTANTANÉES : Vous pouvez chauffer de l'eau ordinaire dans votre cafetière afin de l'utiliser avec des boissons instantanées. Remplissez simplement la cafetière propre d'eau froide jusqu'au niveau de tasses souhaité puis mettez en place la tige et le filtre à café vide. Le fait d'utiliser la tige et le filtre à café chauffera l'eau de manière plus uniforme. Fixez bien le couvercle en place puis branchez la cafetière. Chauffez l'eau jusqu'à la fin de la percolation et attendez que le voyant de service s'allume. Débranchez la cafetière lorsqu'il reste moins d'1 tasse. **A l'exception de la préparation du café et du chauffage d'eau, aucun autre liquide ne devrait être chauffé dans la cafetière car cela risque de détériorer l'élément de chauffage.**

Lorsque la cafetière est utilisée pour chauffer de l'eau uniquement, le métal à l'intérieur se décolore ; c'est tout à fait normal et cela n'a aucune influence sur la performance de la cafetière ni sur l'eau chauffée. Consultez les instructions de Nettoyage particulier de ce manuel pour savoir comment éliminer la coloration ainsi que les dépôts de minéraux qui se forment à l'intérieur de la cafetière lorsque vous chauffez de l'eau. Si ces dépôts ne sont pas retirés, le métal à l'intérieur risque d'être attaqué et une détérioration de la cafetière risque d'en résulter. Voir la section Nettoyage de votre cafetière.

NETTOYAGE DE VOTRE CAFETIERE

Un mauvais nettoyage de la cafetière, en particulier de l'élément de chauffage, aura des répercussions sur la performance de la cafetière, qui produira un café au goût peu prononcé et fade et cela risque même d'entraîner l'arrêt de la percolation par la cafetière. Afin de maintenir votre cafetière en état de marche, il est important de suivre l'ensemble des instructions de nettoyage après chaque utilisation.

1. Débranchez la cafetière et laissez-la refroidir avant de la nettoyer.
2. Nettoyer le filtre, la tige et le couvercle à l'eau chaude savonneuse à l'aide d'un torchon à vaisselle, rincez puis séchez. Les taches de café au-dessous du couvercle peuvent être éliminées en frottant à l'aide d'un chiffon humide et d'un nettoyant non-abrasif.
3. Nettoyez l'intérieur de la cafetière en la remplissant d'eau chaude jusqu'à ce que le niveau atteigne environ un tiers. Ajoutez une petite quantité de détergent pour lave-vaisselle liquide et nettoyez à l'aide d'un torchon à vaisselle ou d'une éponge. Ensuite, nettoyez bien l'élément de chauffage (là où la tige s'adapte) à l'aide d'un tampon à récuser, afin de retirer tout résidu de café. Tordez le tampon à l'intérieur de l'élément de chauffage afin de le nettoyer méticuleusement. **IMPORTANT** : si l'élément de chauffage ne demeure pas propre, la cafetière ne fonctionnera pas correctement.
4. Après le nettoyage de l'intérieur de la cafetière, égouttez puis rincez l'intérieur. Nettoyez le robinet en faisant couler de l'eau claire dans l'évier à travers le robinet tout en déplaçant la poignée du robinet vers le haut et vers le bas. Egouttez l'eau à l'intérieur de la cafetière puis séchez-la.
5. Nettoyez l'extérieur de la cafetière à l'aide d'un chiffon humide puis séchez-la avec un chiffon doux. Ne pas utiliser de tampons à récuser métalliques ni de nettoyants abrasifs sur les surfaces extérieures de la cafetière car cela risque de la rayer.

NE LAVEZ PAS LES PIÈCES DE LA CAFETIERE AU LAVE-VAISSELLE AUTOMATIQUE.

CONSIGNES DE NETTOYAGE PARTICULIÈRES

Pour éliminer les dépôts minéraux : Si la cafetière est utilisée quotidiennement, un nettoyage particulier toutes les 2 semaines OU chaque semaine si vous l'utilisez pour chauffer de l'eau, est nécessaire. Remplissez la cafetière avec un quart d'eau et un quart de vinaigre blanc distillé. (Si une accumulation minérale blanche s'est formée à l'intérieur de la cafetière, utilisez 2 mesures de vinaigre supplémentaires.) Mettez la tige puis le filtre à café vide en place, fixez bien le couvercle sur la cafetière et branchez. Laissez la cafetière terminer le cycle de percolation puis laissez reposer pendant 10 à 15 minutes. Débranchez puis égouttez la cafetière. Laissez la cafetière refroidir puis suivez les instructions de nettoyage générales.

Pour éliminer la décoloration : L'intérieur de la cafetière risque de se décolorer lorsque celle-ci est utilisée pour chauffer de l'eau ; c'est tout à fait normal. Pour éliminer/adoucir la décoloration, remplissez la cafetière d'eau jusqu'au niveau de décoloration (au moins jusqu'au niveau de 12 tasses mais pas au dessus du niveau de tasses maximal). Mettez la tige et le filtre vide en place. Toutes les 12 tasses d'eau, ajoutez deux cuillers à café de crème de tartre dans le filtre. Fixez bien le couvercle sur la cafetière, branchez le cordon d'alimentation à la cafetière puis dans la prise secteur et laissez la cafetière réaliser le cycle de percolation. Laissez reposer pendant 15 à 20 minutes ou jusqu'à ce que la décoloration ait diminué. Débranchez le cordon d'alimentation puis égouttez la cafetière. Laissez la cafetière refroidir puis suivez les instructions de nettoyage générales.

N'utilisez pas de soude alimentaire pour nettoyer la cafetière car cela risque de

GARANTIE DU PRODUIT

Garantie de l'appareil limitée à 1 an

West Bend® Housewares, LLC garantit le présent appareil contre tout défaut de pièce et de main d'oeuvre pendant 1 an à compter de la date de l'achat initial, à condition que l'appareil soit utilisé et entretenu conformément au mode d'emploi de West Bend® Housewares, LLC. Toute pièce défectueuse de l'appareil sera réparée ou remplacée sans frais à la discrétion de West Bend® Housewares, LLC. Cette garantie s'applique aux appareils ménagers d'intérieur uniquement.

La garantie de West Bend® Housewares, LLC ne couvre aucune détérioration, notamment la décoloration, de toute surface anti-adhésive de cet appareil. La garantie de West Bend® Housewares, LLC est nulle et non avenue, comme déterminé uniquement par West Bend® Housewares, LLC, si l'appareil est détérioré en raison de tout accident, de toute mauvaise utilisation ou de tout abus, de toute rayure, de toute surchauffe, ou si l'appareil est modifié de quelque manière que ce soit ou s'il est utilisé à l'extérieur du cadre d'un intérieur domestique.

Cette garantie vous confère des droits particuliers. Il est possible que vous ayez également d'autres droits, qui sont susceptibles de varier d'un état à un autre.

CETTE GARANTIE ANNULE ET REMPLACE TOUTE GARANTIE INDIUITE, NOTAMMENT LES GARANTIES DE COMMERCIALITÉ, D'ADAPTATION À UN USAGE PARTICULIER, DE FONCTIONNEMENT OU AUTRE, QUI SONT PAR LA PRÉSENTE EXCLUES. EN AUCUN CAS WEST BEND® HOUSEWARES, LLC NE POURRA ÊTRE CONSIDÉRÉ COMME RESPONSABLE DE TOUTE DÉTÉRIORATION, QUE CELLE-CI SOIT DIRECTE, IMMÉDIATE, INDIRECTE, PRÉVISIBLE, UNE CONSÉQUENCE OU PARTICULIÈRE, RÉSULTANT DE L'UTILISATION DE CET APPAREIL OU EN RAPPORT AVEC SON UTILISATION.

Si vous pensez que cet appareil est défectueux ou a besoin d'être réparé pendant la durée de sa garantie, rappez-le au lieu de l'achat d'origine. Pour de plus amples renseignements, veuillez contacter le Service client de West Bend® Housewares au (262) 334-6949 ou nous envoyer un e-mail à housewares@westbend.com. Les frais de port pour le retour ne sont pas remboursables. Les factures manuscrites ne sont pas acceptées. West Bend Housewares, LLC n'est pas responsable des appareils retournés qui sont perdus pendant le transport.

Valable uniquement aux USA et au Canada

PIECES DE RECHANGE

Vous pouvez commander des pièces de rechange directement auprès de West Bend® Housewares, LLC en commandant en ligne sur le site Internet : www.westbend.com : Pièces de rechange. Vous pouvez également appeler ou envoyer un e-mail au service des réparations au numéro/à l'adresse e-mail indiqué(e) ci-dessus ou nous écrire à :

West Bend Housewares, LLC
Attn: Customer Service
P.O. Box 2780
West Bend, WI 53095

Veillez à inclure le numéro du modèle/catalogue de votre appareil (situé au-dessous/au dos de l'appareil) et une description ainsi que la quantité de la pièce que vous souhaitez commander. Indiquez également votre nom, votre adresse postale, votre numéro de carte Visa/Mastercard, la date d'expiration et le nom tel qu'il figure sur la carte. Les chèques peuvent être rédigés à l'ordre de West Bend Housewares, LLC. Appelez le service client pour connaître le montant de votre achat. Les taxes de votre état ainsi qu'un honoraire d'expédition/traitement seront ajoutés à votre prix total. Vous recevrez votre envoi sous deux (2) semaines.

Ce guide contient des renseignements importants et utiles concernant l'utilisation sans danger et l'entretien de votre nouveau produit West Bend® Housewares, LLC. Pour une consultation ultérieure, fixez le reçu de caisse daté pour la preuve d'achat nécessaire à la garantie puis inscrivez les renseignements ci-dessous :

Date d'achat ou de réception en cadeau : _____

Lieu d'achat et prix, si connu : _____

Numéro de l'article et Code de la date (indiqués au bas/dos du produit) : _____

Notes

WEST BEND®

HOUSEWARES

CAFETERA

Manual de instrucciones



Registre este y otros productos West Bend® Housewares a través de nuestro sitio web.

www.westbend.com

Precauciones importantes.....	2
Precauciones relativas al calor.....	2
Precauciones eléctricas.....	3
Precauciones de uso cerca de niños.....	4
Cómo usar su cafetera.....	4-5
Cómo limpiar su cafetera.....	6
Garantía.....	7

CONSERVE ESTE MANUAL DE INSTRUCCIONES PARA FUTURAS CONSULTAS

PRECAUCIONES IMPORTANTES



PRECAUCIÓN

Para evitar lesiones personales o daños materiales, lea y acate todas las instrucciones y advertencias.

Al utilizar artefactos electrodomésticos, siempre deben acatarse las precauciones básicas de seguridad incluyendo las siguientes:

- Lea todas las instrucciones, incluyendo estas precauciones importantes, así como las instrucciones de uso y cuidado en este manual.
- No utilice el aparato para usos distintos del indicado.
- No lo coloque sobre o cerca de un calentador eléctrico o a gas, o en un horno caliente.
- No lo opere cuando no funcione correctamente o haya sido dañado de algún modo. Para información relativa al servicio vea la página de garantías.
- El uso de accesorios no recomendados por West Bend® Housewares pudiera causar fuegos, descargas eléctricas o lesiones a la personas.
- No trate de reparar este aparato electrodoméstico usted mismo.
- No use este aparato electrodoméstico sobre el tope de la estufa o cocina, debajo de una parrilla, en el horno, o en el refrigerador o congelador.
- **Sólo para uso doméstico.**



PRECAUCIÓN

Para evitar quemaduras, lesiones personales o daños materiales, lea y acate todas las instrucciones y advertencias.



PRECAUCIONES RELATIVAS AL CALOR

- No toque las superficies calientes. Use las asas o perillas donde estén provistas. Use almohadillas térmicas o guantes para horno al manipular superficies calientes.
- Debe tenerse extremo cuidado al mover cualquier artefacto electrodoméstico que contenga aceite caliente u otros líquidos calientes.
- Asegúrese de que la tapa, la cesta, el vástago y el cordón eléctrico estén correctamente colocados antes de enchufar la cafetera. No deberá sacarse parte alguna de la cafetera durante el ciclo de preparación del café ya que pudiera causar escaldaduras.



PRECAUCIÓN

Para evitar descargas eléctricas, lesiones personales o daños materiales, lea y acate todas las instrucciones y advertencias.



PRECAUCIONES ELÉCTRICAS

- Como protección contra fuegos, descargas eléctricas y lesiones a las personas, nunca sumerja el cordón eléctrico, los enchufes o cualquier parte eléctrica en agua u otros líquidos.
- No opere aparato electrodoméstico alguno con el cordón eléctrico o el enchufe dañado.
- No use este aparato electrodoméstico a la intemperie.
- Siempre conecte primero el enchufe al aparato electrodoméstico, y luego enchufe el cordón eléctrico al tomacorriente. Para desconectar, coloque cualquier control en la posición "OFF" (apagado), y luego desenchufe del tomacorriente.
- Siempre desenchufe el aparato cuando no esté en uso y antes de limpiarlo y permita que se enfríe antes de colocarlo o sacarlo partes.
- Su aparato electrodoméstico tiene un cordón eléctrico corto como medida de precaución para impedir el halado, tropiezo o enredo accidental con el mismo. Coloque el cordón eléctrico de tal manera que no cuelgue del borde de un mostrador, mesa u otra superficie o toque áreas calientes.
- No se recomienda usar un cable de extensión, pero si debe hacerlo, cerciórese de que el vataje del mismo sea igual o superior al de la cafetera (el vataje está estampado debajo de la base). Coloque el cable de extensión de tal modo que no cuelgue del borde de un mostrador, mesa u otra superficie a fin de impedir que se hale, tropiece o enrede en el mismo.
- Use un tomacorriente apto para el enchufe polarizado del aparato electrodoméstico. En un enchufe polarizado, una hoja es más ancha que la otra. Invierta el enchufe si éste no encaja completamente en el tomacorriente o el cable de extensión. Si el enchufe todavía no encaja, consulte con un electricista calificado. No trate de modificar el enchufe de manera alguna.
- No use un tomacorriente o cable de extensión en el cual el enchufe calza flojamente, o si el tomacorriente o el cable de extensión se calientan.
- Mantenga el cordón eléctrico alejado de las partes calientes del electrodoméstico mientras éste esté operándose.



PRECAUCIÓN

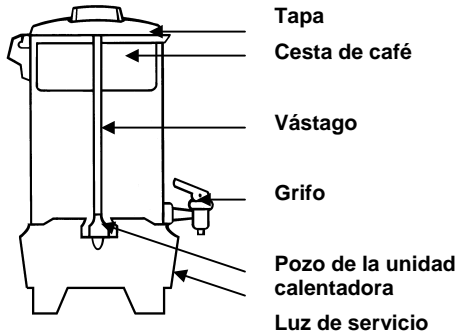
Para prevenir quemaduras u otras lesiones en los niños, lea y acate todas las instrucciones y advertencias.

PRECAUCIONES DE USO CERCA DE NIÑOS

- Siempre supervise de cerca cuando haya niños.
- No permita que los niños usen o estén cerca del electrodoméstico ya que las superficies externas de éste se calientan al usarse.
- No permita que el cordón eléctrico cuelgue de algún borde donde pueda ser alcanzado por los niños. Coloque el cordón eléctrico de modo que se eviten lesiones que resulten del halar, tropezarse o enredarse en el mismo.

CONSERVE ESTAS INSTRUCCIONES

CÓMO USAR SU CAFETERA



Antes de utilizar la cafetera por primera vez, límpiela a fondo. Refiérase a la sección "Cómo limpiar su cafetera".

Nivel de agua	Cantidad de café molido	Nivel de agua	Cantidad de café molido
42 tazas	2 ½ tazas	24 tazas	1 ½ tazas
36 tazas	2 tazas	22 tazas	1 ½ tazas
30 tazas	1 ¾ tazas	18 tazas	1 ¼ tazas
28 tazas	1 2/3 tazas	12 tazas	1 taza

NOTA ESPECIAL SOBRE LA MOLIENDA DE GRANOS DE CAFÉ Si usted mismo muele los granos de café, para los mejores resultados muéloslos a una granulación media. **NO** los muele demasiado fino (como polvo) ya que esto causa que se inunde la cesta. Use tazas de medición estándar para medir el café. No permita que el café molido caiga dentro del vástago. La cantidad recomendada de café producirá café ligero, que es el que prefiere la mayoría de la gente.

1. Con la cesta y el vástago retirados, llene la cafetera con agua FRÍA hasta el nivel deseado usando como guía las marcas de tazas dentro de la cafetera. No prepare a la vez menos de 12 tazas o más de la capacidad máxima de la cafetera.
2. Coloque el vástago dentro de la unidad calentadora en el fondo de la cafetera, y luego coloque la cesta sobre el vástago. Esparza parejamente la cantidad recomendada de café dentro de la cesta. Vea la tabla. Use café molido regular para cafetera eléctrica o café molido para todo tipo de cafetera. *No use café molido fino ni para cafeteras por goteo ya que la cesta puede inundarse.*
3. Gire la tapa en su sitio en la cafetera. Para reducir los derrames de café, especialmente si la cafetera se vuelca, asegúrese de que la tapa se haya girado en la dirección de las agujas del reloj hasta quedar totalmente fija en las ranuras del asa. (Fíjese en las flechas en la tapa para girarla correctamente.) Si se volcase la cafetera, la tapa reduce temporalmente el derrame de café, por lo que debe tenerse cuidado cuando se traslade la cafetera.
4. Coloque la cafetera sobre una superficie seca y nivelada. Fije el cordón eléctrico a la cafetera y enchúfelo **SOLAMENTE** a un tomacorriente de corriente alterna de 120 voltios.
5. La cafetera deja de elaborar café automáticamente. (Cada taza de café requiere alrededor de 1 minuto de tiempo de preparación.) La luz de servicio se encenderá cuando el café esté listo. Antes de servir, use un tomaolla para quitar la tapa, luego retire con cuidado el vástago y la cesta de la cafetera ya que el café y el molido están CALIENTES. Si no se quitan, dentro del café gotearán aceites amargos del café molido. Vuelva a colocar la tapa asegurándose de que esté bien fija en las ranuras del asa.
6. El café se mantendrá en su temperatura de servicio mientras la cafetera esté conectada al tomacorriente. (si tiene una cafetera aislada, el aislamiento de aire sellado mantendrá el café caliente hasta dos horas sin electricidad.) Para servir, coloque la taza y el platillo bajo el grifo y presione la palanca hacia abajo. Si se desea un flujo continuo para llenar una jarra, levante la palanca derecha hacia arriba hasta que quede fija en la posición abierta. Cuando quede aproximadamente una taza en la cafetera, desconéctela del tomacorriente.

PARA PREPARAR MÁS CAFÉ Si se desea otra jarra de café inmediatamente, parcialmente llene la unidad con agua fría para reajustar el termostato. Vierta el agua y vuelva a llenar con agua fría; y repita los pasos 1-6 anteriores.

PARA CALENTAR AGUA PARA BEBIDAS INSTANTÁNEAS: Puede calentarse agua sola en la cafetera para usarse con bebidas instantáneas. Basta con llenar la cafetera limpia con agua fría hasta el nivel deseado de tazas, y luego colocar el vástago y la cesta de café vacía en su sitio. Con el vástago y la cesta vacía el agua se calentará más uniformemente. Asegure la tapa en su sitio y enchufe la cafetera. Caliente el agua hasta que la unidad deje de funcionar y se encienda la luz de servicio. Desenchufe la cafetera cuando quede menos de 1 taza. **Aparte de preparar café o calentar agua, no debe calentarse ningún otro líquido en la cafetera ya que puede dañarse la unidad calentadora.**

Cuando se usa la cafetera para calentar agua solamente, el metal del interior se decolorará, lo cual es normal y no afecta el desempeño ni el agua calentada en la cafetera. Consulte las "Instrucciones especiales de limpieza" contenidas en este folleto para eliminar la decoloración así como los depósitos minerales que se forman dentro de la cafetera al calentar agua. Si no

CÓMO LIMPIAR SU CAFETERA

La limpieza incorrecta de la cafetera, y en especial la del pozo de la unidad calentadora, afectará el desempeño de la cafetera, produciendo café poco cargado y tibio, e incluso puede hacer que la cafetera deje de funcionar. Para mantener a su cafetera funcionando correctamente, es importante seguir las siguientes instrucciones de limpieza tras cada uso.

1. Desenchufe la cafetera y permita que se enfríe antes de limpiarla.
2. Limpie la cesta, el vástago y la tapa en agua caliente jabonosa con un paño de cocina, enjuáguelos y séquelos. Las manchas de café en la parte inferior de la tapa o en el vástago pueden eliminarse fregando con un paño húmedo y un limpiador no abrasivo.
3. Limpie el interior de la cafetera llenándola con agua caliente hasta que quede aproximadamente un tercio llena. Agregue una pequeña cantidad de detergente líquido para lavar platos y lave con un paño de cocina o esponja. Luego limpie el pozo de la unidad calentadora (donde se coloca el vástago) con una esponja abrasiva para eliminar el residuo de café. Gire la esponja dentro del pozo de la unidad calentadora para limpiarlo bien
IMPORTANTE: Si no se mantiene limpio al pozo de la unidad calentadora, la cafetera no funcionará bien.
4. Después de limpiar la cafetera por dentro, escurra el agua y enjuague el interior. Limpie el grifo dejando correr agua a través de él al fregadero, a la vez que se mueve la palanca del grifo hacia arriba y hacia abajo. Escurra el agua del interior de la cafetera y séquela.
5. Limpie el exterior de la cafetera con un paño húmedo y séquelo con un paño suave. No use esponjas o limpiadores abrasivos sobre la parte externa de la cafetera pues la rayará.

NO LAVE LAS PIEZAS DE LA CAFETERA EN UN LAVAPLATOS AUTOMÁTICO.

INSTRUCCIONES ESPECIALES DE LIMPIEZA

Para eliminar depósitos minerales Si la cafetera se usa a diario, es necesario darle una limpieza especial cada 2 semanas O BIEN cada semana si se usa para calentar agua. Llene la cafetera con 1 cuarto de galón (0,95 l) de agua y otro de vinagre blanco destilado. (Si se ha formado una acumulación de mineral blanco en el interior de la cafetera, use 2 tazas adicionales de vinagre.) Coloque el vástago y la cesta de café vacía en su sitio, asegure la tapa en la cafetera y enchúfela. Deje que la cafetera lleve a cabo su ciclo, y luego déjela estar 10 a 15 minutos. Desenchufe la unidad y escurra la cafetera. Deje que se enfríe y siga las instrucciones generales de limpieza.

Para eliminar la decoloración El interior de la cafetera puede decolorarse al utilizarse para calentar agua, lo cual es normal. Para eliminar o aclarar la decoloración, llene la cafetera con agua hasta el nivel de la decoloración (por lo menos hasta el nivel de 12 tazas, pero no más allá del nivel máximo de tazas). Coloque el vástago y la cesta vacía en su sitio. Por cada 12 tazas de agua que se coloquen en la cafetera, añada 2 cucharaditas de crémor tártaro a la cesta. Asegure la tapa en la cafetera, enchufe el cordón eléctrico a la cafetera y luego al tomacorriente y deje que la unidad complete su ciclo. Déjela estar 15 a 20 minutos o hasta que la decoloración se borre lo más posible. Desenchufe el cordón eléctrico y escurra la cafetera. Deje que se enfríe y siga las instrucciones generales de limpieza.

No use bicarbonato de sosa para limpiar la cafetera ya que decolorará el metal interior.

Tras un uso frecuente, puede acumularse residuo de café dentro del grifo. Para limpiarlo, desatomille la mitad superior del grifo. Mueva un pequeño cepillo hacia arriba y hacia abajo a través del grifo. Inserte el cepillo por la abertura dentro de la cafetera para limpiar la conexión al grifo. Enjuague y vuelva a colocar la mitad superior del grifo.

GARANTÍA DEL PRODUCTO

Garantía limitada de 1 año del aparato electrodoméstico

West Bend® Housewares, LLC garantiza que este aparato no presentará fallas de material ni fabricación durante 1 año a partir de la fecha original de compra, siempre y cuando el aparato sea operado y mantenido tal como se indica en el manual de instrucciones de West Bend® Housewares, LLC. Toda pieza del aparato que presente fallas será reparada o reemplazada sin costo alguno a criterio de West Bend® Housewares, LLC. Esta garantía rige solamente para el uso doméstico en interiores.

La garantía de West Bend® Housewares, LLC no cubre ningún daño, incluyendo la decoloración, de superficie antiadherente alguna del aparato electrodoméstico. La garantía de West Bend® Housewares, LLC quedará nula e inválida, según lo determine exclusivamente West Bend® Housewares, LLC, si el aparato electrodoméstico resultase dañado debido a accidentes, uso indebido o abuso, rayas, sobrecalentamiento o si es alterado de algún modo o no se usa en forma doméstica y en interiores.

Esta garantía le otorga derechos legales específicos. Usted también puede tener otros derechos, los cuales pueden variar de una jurisdicción a otra.

ESTA GARANTÍA REEMPLAZA A TODAS LAS DEMÁS GARANTÍAS IMPLÍCITAS, INCLUYENDO AQUÉLLAS DE COMERCIABILIDAD E IDONEIDAD PARA UN FIN O USO EN PARTICULAR, LAS CUALES QUEDAN EXCLUIDAS MEDIANTE EL PRESENTE DOCUMENTO. WEST BEND® HOUSEWARES, LLC RECHAZA TODA RESPONSABILIDAD POR DAÑOS, YA SEAN DIRECTOS, INMEDIATOS, INCIDENTALES, PREVISIBLES, CONSECUENTES O ESPECIALES QUE SURJAN DEL USO DEL APARATO ELECTRODOMÉSTICO O GUARDEN RELACIÓN CON EL MISMO.

Si dentro del período de garantía usted considera que el aparato electrodoméstico presenta fallas o requiere servicio, devuélvalo al lugar de compra original. Para obtener mayores detalles comuníquese con el Departamento de Servicio al Cliente al (262) 334-6949 o por correo electrónico a housewares@westbend.com. Los gastos de devolución no son reembolsables. Los recibos escritos a mano no son válidos. West Bend Housewares, LLC no se hace responsable de las devoluciones perdidas en tránsito.

Válido sólo en EE.UU. y Canadá

REPUESTOS

Solicite los repuestos a West Bend® Housewares, LLC directamente en línea en www.westbend.com, "Replacement Parts", llamando o enviando un mensaje de correo electrónico al departamento de servicios al número/dirección antedichos o escribiendo a: West Bend Housewares, LLC Repuestos O puede llamarnos o enviarnos un mensaje de correo electrónico al departamento de servicios al número/dirección antedichos o escribiéndonos a:

West Bend Housewares, LLC
Attn: Customer Service
P.O. Box 2780
West Bend, WI 53095, EE.UU.

Cerciórese de incluir el número de catálogo/modelo del aparato electrodoméstico (situado en la parte inferior/posterior de la unidad) así como la descripción y la cantidad de repuestos que necesita. Junto con esta información, incluya su nombre, dirección postal, número de tarjeta de crédito Visa o MasterCard, la fecha de vencimiento y el nombre tal como aparece en la tarjeta. Los cheques deben hacerse pagaderos a West Bend Housewares, LLC. Llame a Servicio a la Clientela para que le informen el monto de la compra. Se sumará al total el impuesto de venta estatal que corresponda, más un cargo por despacho y procesamiento. La entrega tarda dos (2) semanas.

Este folleto contiene información importante y útil sobre el uso seguro y el cuidado de su nuevo producto de West Bend® Housewares, LLC. Para su propia referencia, archive aquí el recibo fechado que sirve de comprobante de compra para la garantía, y anote la siguiente información:

Fecha en que compró o recibió la unidad como regalo: _____

Dónde se efectuó la compra y el precio, si lo sabe: _____

Número y código de fecha del producto (aparece en la parte inferior/posterior de la unidad): _____

Notas

Free Manuals Download Website

<http://myh66.com>

<http://usermanuals.us>

<http://www.somanuals.com>

<http://www.4manuals.cc>

<http://www.manual-lib.com>

<http://www.404manual.com>

<http://www.luxmanual.com>

<http://aubethermostatmanual.com>

Golf course search by state

<http://golfingnear.com>

Email search by domain

<http://emailbydomain.com>

Auto manuals search

<http://auto.somanuals.com>

TV manuals search

<http://tv.somanuals.com>