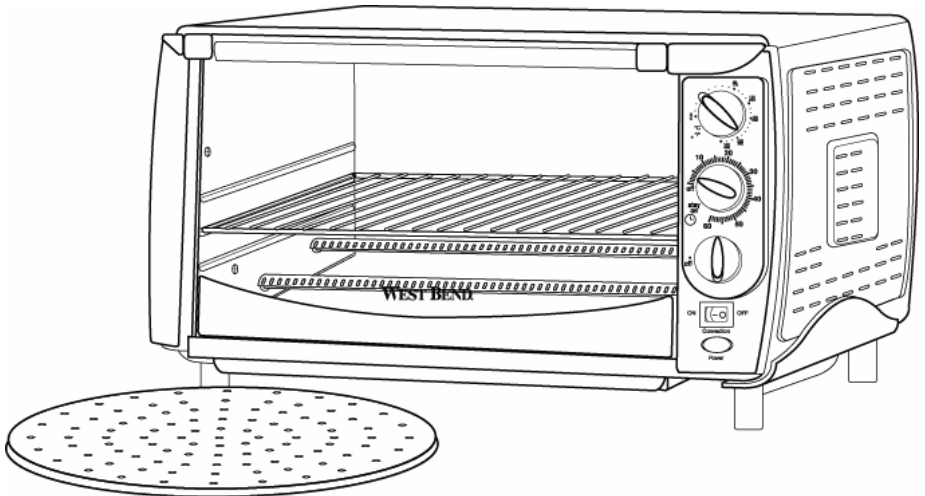


# WEST BEND®

## COUNTERTOP OVEN

Instruction Manual



Register this and other Focus Electrics products through our website:  
[www.focuslectrics.com](http://www.focuslectrics.com)

Important Safeguards.....	2
Operating Precautions.....	3
Accessories.....	4
Using Your Countertop Oven .....	5
Cleaning Your Countertop Oven .....	7
Troubleshooting Guide.....	7
Warranty.....	8

**SAVE THIS INSTRUCTION MANUAL FOR FUTURE REFERENCE**

© 2008 West Bend®, a Brand of Focus Electrics, LLC.  
[www.focuslectrics.com](http://www.focuslectrics.com)

# IMPORTANT SAFEGUARDS



## CAUTION

**To prevent personal injury or property damage, read and follow all instructions and warnings.**

When using electrical appliances, basic safety precautions should always be followed including the following:

- Read all instructions, including these important safeguards and the care and use instructions in this manual.
- Do not touch hot surfaces. Use handles or knobs.
- To protect against electric shock, do not immerse cord, plugs, or other electric parts in water or other liquids.
- Close supervision is necessary when this appliance is used by or near children.
- Unplug from outlet when not in use and before cleaning. Allow to cool before putting on or taking off parts.
- Do not operate this appliance with a damaged cord or plug, after the appliance malfunctions or if the appliance is dropped or damaged in any manner. If you experience any problems with your appliance, unplug it immediately from the electrical outlet. For service information see warranty page.
- The use of accessory attachments not recommended by Focus Electrics may cause injuries.
- Do not use this appliance outdoors.
- Do not let cord hang over the edge of a table or counter, or touch hot surfaces.
- Do not place on or near a hot gas or electrical burner or in a heated oven.
- Extreme caution must be used when moving an appliance containing hot oil or other hot liquids.
- To disconnect, turn all controls to "OFF", then remove plug from wall outlet.
- Do not use appliance for other than intended use.
- This appliance has a polarized plug (one blade is wider than the other). To reduce the risk of electric shock, this plug is intended to fit into a polarized outlet only one way. If the plug does not fit fully into the outlet, reverse the plug. If it still does not fit, contact a qualified electrician. Do not attempt to modify the plug in any way.
- Use extreme caution when removing the trays or disposing of hot grease.
- Do not clean with metal scouring pads. Pieces can break off of the pad and touch electrical parts, creating a risk of electrical shock.

- Oversize foods or metal utensils must not be inserted in this appliance as they may create a fire or risk of electric shock.
- A fire may occur if the appliance is covered or touching flammable material including curtains, draperies, walls and the like, when in operation. Do not store any item on top of appliance when in operation.
- Extreme caution should be exercised when using containers constructed of other than metal or glass. Do not store any materials, other than manufacturers recommended accessories in this oven when not in use.
- Do not place any of the following materials in the oven: plastic, paper or cardboard.
- Do not cover racks, trays or any parts of the oven with aluminum foil, as overheating will occur.
- Always turn Timer control and Heat Selector to “OFF” and unplug the appliance from outlet when not in use and before cleaning
- **For household use only**



## CAUTION

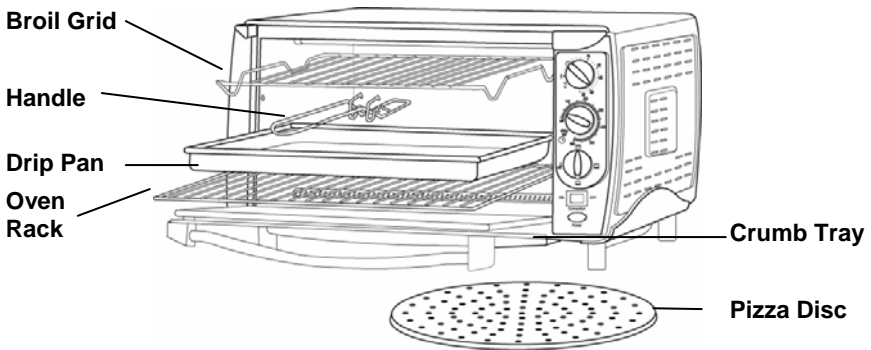
**To prevent personal injury or property damage, read and follow all instructions and warnings.**

### OPERATING PRECAUTIONS

- This device is not intended to heat oil or other liquids.
- Do not use sharp utensils to clean oven door glass as scratching may weaken it and cause shattering.
- Do not touch heating elements as serious burns may result.
- Set cooking containers, pans, trays and racks on a hot pad, trivet or other heat protective surface. Do not set directly on the counter, table or other surface.
- Failure to clean after each use may result in fire hazard.
- Unplug oven and close door if fire is observed.
- A short power-supply cord is provided to reduce risks resulting from becoming entangled in or tripping over a longer cord.
- Longer, detachable power-supply cords or extension cords are available and may be used if care is exercised in their use. While use of an extension cord is not recommended, if you must use one, the marked electrical rating of the detachable power-supply cord or extension cord should be at least as great as the electrical rating of the appliance. If the appliance is of the grounded type, the extension cord should be a grounding-type 3-wire cord. The cord should be arranged so that it will not hang over the counter top or tabletop where it can be pulled by children or tripped over.
- Do not attempt to repair this product yourself.

# SAVE THESE INSTRUCTIONS

## ACCESSORIES



**Oven Rack:** Your oven includes a chrome plated oven rack. The edges of the rack slide into the guides on both sides of the oven. Adjust the height of the rack by choosing the appropriate guide.

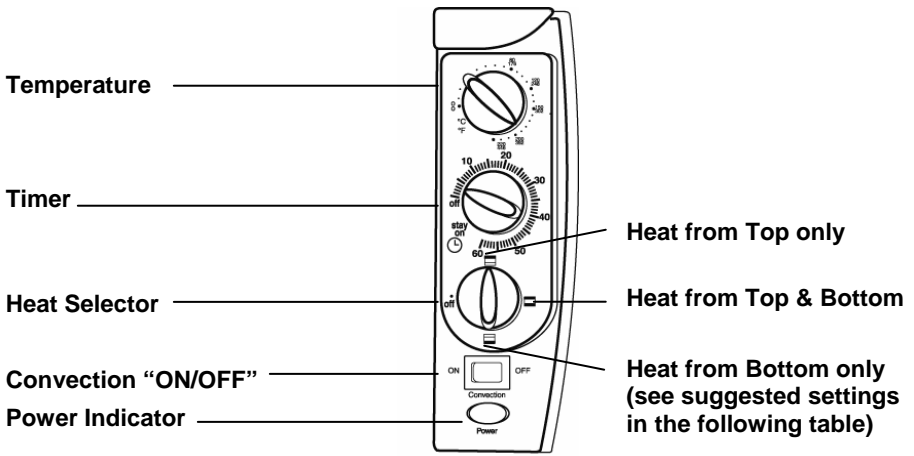
**Drip Pan and Broil Grid:** The broil grid allows fat to drip into the drip pan, channeling grease away from food, helping to prevent spattering. The broil grid must always be used with the drip pan. **Never use the broil grid by itself as grease may drip onto a heating element, creating a fire hazard.** The drip pan may be used by itself for baking or reheating items.

**Handle:** A metal handle is provided that can be used for inserting and removing the rack or drip pan. Do not attempt to use the handle to remove the rack or pan with food on it.

**Pizza Disc:** This oven is equipped with a 12" pizza disc to allow for even baking of pizzas. Do not bake any pizza larger than 12" in this oven.

**Crumb Tray:** Allows for easy disposal of crumbs.

## CONTROL PANEL



## USING YOUR COUNTERTOP OVEN

### Suggested Heat Selector and Temperature Settings

Function	Heat Selector Setting	Temperature
Warm	Top only	175
Broil	Both	Max
Toast	Both	Max –control color with time
Bake/Roast	Both	Per recipe*

\*If foods brown too dark or too quickly, turn off the top unit or remove foods from the oven.

**Before first use:** Remove any stickers or labels from heating surfaces. Make sure the oven is free from any paper or objects not intended for use in the oven. Clean the interior, oven rack, pans, trays and other accessories as described in the “Cleaning Your Countertop Oven” section of this manual.

**Basic Use:**

1. Plug the cord into 120 volt AC electrical outlet **ONLY**.
2. Place the oven rack, trays, and pans into the desired position.
3. Place the food in a proper cooking container on the oven rack.
4. Select the desired temperature.
5. Set the timer to the desired time or "STAY ON" position. Allow the oven to preheat for 10 minutes. **Note:** When setting the timer for less than 15 minutes, you must turn the timer past the 15 minute mark and then back to the number of minutes you wish to time. This must be done to activate timer and turn the appliance on.
6. Select the desired heat selector position: "Top Only", "Top & Bottom", "Bottom Only".
7. Set the convection setting to "ON" or "OFF". The convection feature is recommended for most baking to aid in even browning and faster results.
8. When cooking is complete, set the heat selector to "OFF". Use hot pads or oven mitts to open the door and remove the cooking container. Unplug from the electrical outlet. Allow the oven to cool completely before cleaning.

**CAUTION:** Use extreme caution when opening the door and keep your hands and face away because very hot air or steam may be released. Do not rest cooking containers on glass door as damage could occur.

**Baking Pizzas:**

1. Place the oven rack into the middle rack support guide.
  2. Set the temperature to 350°F (176°C).
  3. Preheat the oven for 10 minutes. Place a pizza on the pizza disc and slide the disc onto the oven rack making sure it is as far back as it will go inside the oven. Bake to the desired doneness.
- A small amount of smoke and/or odor may occur upon heating due to the release of manufacturing oils – this is normal.
  - Some minor expansion/contraction sounds may occur during heating and cooling – this is normal.

## CLEANING YOUR COUNTERTOP OVEN

**CAUTION:** Before cleaning any part of the oven, always set the timer control and heat selector to “OFF”, unplug the cord from the electrical outlet and allow the oven to cool completely.

To keep your countertop oven clean, wipe away food spills, spatters and crumbs after each use.

1. The oven rack, drip pan, broil grid and crumb tray may be washed in warm, soapy water with a dishcloth, rinsed and dried or in an automatic dishwasher. Do not use any metal or abrasive scouring pads or cleaners on these parts as damage to the finish may occur.
2. Wipe the exterior of the oven and glass door with a soft, damp cloth and dry. Do not use any type of scouring pad or cleaner on the exterior surfaces or the glass door as scratching will occur. If glass is scratched, it can weaken and shatter.
3. Wipe the interior of the oven with a damp cloth, wipe clean and dry. Do not use any metal or abrasive scouring pads, cleaners or oven cleaner on the inside of the oven, as damage will occur. Be careful when wiping around the heating elements to prevent damage.

## TROUBLESHOOTING GUIDE

PROBLEM	POTENTIAL CAUSE	SOLUTION
<b>Overcooked/under cooked foods</b>	Incorrect temperature or setting	Adjust time or temperature. Because your countertop oven is smaller than your regular oven, it will heat up faster and cook in shorter periods of time.
	Rack placement	Racks may need to be adjusted to accommodate specific food types.
<b>Burnt smell</b>	Food build-up inside oven, on heating elements or in crumb tray.	Refer to “Cleaning Your Oven” section.
<b>Oven does not turn on</b>	Unit is unplugged. Heat selector is set to “OFF”.	Plug unit into electrical outlet  Turn timer to desired setting.
<b>Only one heating element is heating</b>	Heat selector is set to heat from only one element.	Check heat selector to ensure it is set to heat from both sides.
<b>Heating element does not stay on</b>	Heating elements will cycle on and off to maintain the proper temperature.	

## PRODUCT WARRANTY

### Appliance 1 Year Limited Warranty

Focus Electrics, LLC ("Focus Electrics") warrants this appliance from failures in the material and workmanship for one (1) year from the date of original purchase with proof of purchase, provided the appliance is operated and maintained in conformity with the provided Instruction Manual. Any failed part of the appliance will be repaired or replaced without charge at Focus Electrics' discretion. This warranty applies to indoor household use only.

This warranty does not cover any damage, including discoloration, to any non-stick surface of the appliance. This warranty is null and void, as determined solely by Focus Electrics if the appliance is damaged through accident, misuse, abuse, negligence, scratching, or if the appliance is altered in any way.

THIS WARRANTY IS IN LIEU OF ALL IMPLIED WARRANTIES, INCLUDING WARRANTIES OF MERCHANTABILITY, FITNESS FOR A PARTICULAR PURPOSE, PERFORMANCE, OR OTHERWISE, WHICH ARE HEREBY EXCLUDED. IN NO EVENT SHALL FOCUS ELECTRICS BE LIABLE FOR ANY DAMAGES, WHETHER DIRECT, INDIRECT, INCIDENTAL, FORSEEABLE, CONSEQUENTIAL, OR SPECIAL, ARISING OUT OF OR IN CONNECTION WITH THIS APPLIANCE.

If you think the appliance has failed or requires service within its warranty period, please contact the Focus Electrics Customer Service Department at (866) 290-1851, or e-mail us at [service@focuselectrics.com](mailto:service@focuselectrics.com). A receipt proving the original purchase date will be required for all warranty claims, **hand written receipts are not accepted**. You may also be required to return the appliance for inspection and evaluation. Return shipping costs are not refundable. Focus Electrics is not responsible for returns lost in transit.

**Valid only in USA and Canada**

## REPLACEMENT PARTS

Replacement parts, if available, may be ordered directly from Focus Electrics, LLC several ways. Order online at [www.focuselectrics.com](http://www.focuselectrics.com), e-mail [service@focuselectrics.com](mailto:service@focuselectrics.com), over the phone by calling (866)290-1851, or by writing to:

Focus Electrics, LLC  
Attn: Customer Service  
P. O. Box 2780  
West Bend, WI 53095

To order with a check or money order, please first contact Customer Service for an order total. Mail your payment along with a letter stating the model or catalog number of your appliance, which can be found on the bottom or back of the unit, a description of the part or parts you are ordering, and the quantity you would like. Your check should be made payable to Focus Electrics, LLC.

Your state/province's sales tax and a shipping fee will be added to your total charge. Please allow two weeks for processing and delivery.

This manual contains important and helpful information regarding the safe use and care of your new Focus Electrics product. For future reference, attach dated sales receipt for warranty proof of purchase and record the following information:

Date purchased or received as gift: \_\_\_\_\_

Where purchased and price, if known: \_\_\_\_\_

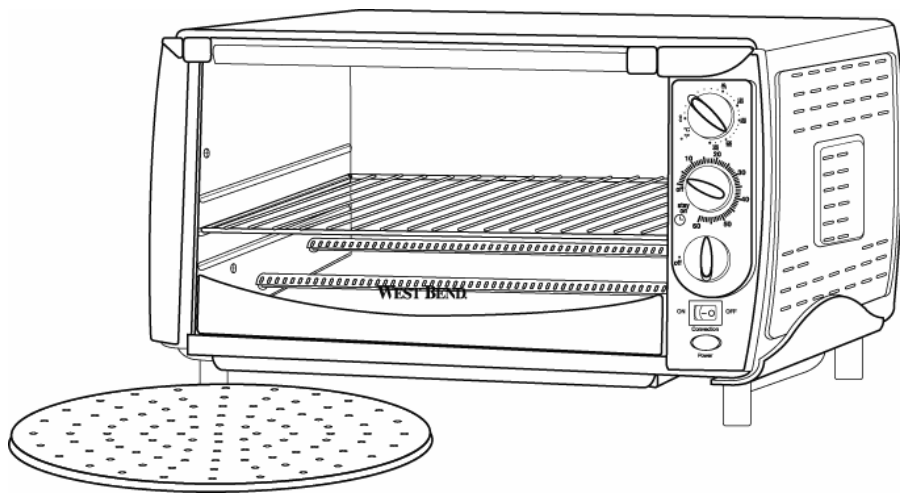
Item number and Date Code (shown bottom/back of product): \_\_\_\_\_



# WEST BEND®

## MINI-FOUR

Mode d'emploi



Enregistrez ce produit et d'autres produits Focus Electrics sur notre site Web:  
**[www.focuselectrics.com](http://www.focuselectrics.com)**

Précautions Importantes .....	2
Précautions D'Utilisation .....	3
Accessoires .....	4
Utilisation de Votre Mini-Four .....	5
Nettoyage de Votre Mini-Four .....	7
Guide de Dépannage .....	7
Garantie .....	8

**CONSERVEZ CE MANUEL D'INSTRUCTIONS POUR RÉFÉRENCE FUTURE**

© 2008 West Bend®, une Marque de Focus Electrics, LLC.  
[www.focuselectrics.com](http://www.focuselectrics.com)

# PRECAUTIONS IMPORTANTES



## MISE EN GARDE

**Pour empêcher toute blessure physique ou tout dommage matériel, lisez et suivez toutes les consignes et mises en garde.**

Lorsque vous utilisez des appareils électriques, les précautions de sécurité élémentaires devraient toujours être respectées, notamment les précautions ci-dessous :

- Lisez toutes les instructions, notamment les présentes précautions importantes, ainsi que les consignes pour l'entretien de ce manuel.
- Ne touchez pas les surfaces chaudes. Utilisez des poignées rectangulaires ou rondes.
- Pour vous protéger contre tout choc électrique, n'immergez pas le cordon, les fiches ni aucune autre pièce électrique dans l'eau ni dans tout autre liquide.
- Une surveillance étroite est nécessaire lorsque vous cet appareil est utilisé par ou à proximité d'enfants.
- Débranchez l'appareil de la prise électrique lorsqu'il n'est pas utilisé et avant de le nettoyer. Laissez l'appareil refroidir avant la mise en place ou le retrait de pièces et avant tout nettoyage.
- N'utilisez pas cet appareil avec un cordon abîmé ou une fiche détériorée, si l'appareil a connu un dysfonctionnement ou si l'appareil est tombé ou a été détérioré de quelque manière que ce soit. Si vous rencontrer un problème quel qu'il soit avec votre appareil, débranchez-le immédiatement de la prise secteur. Pour des informations sur les réparations, voir la page de garantie.
- L'utilisation d'accessoires non recommandés par Focus Electrics risque de causer un incendie, une électrocution ou des blessures.
- N'utilisez pas cet appareil à l'extérieur.
- Ne laissez pas pendre le cordon du bord du plan de travail ou de la table et assurez-vous qu'il ne touche pas de surface chaude.
- Ne placez pas cet appareil sur ou à proximité d'un brûleur à gaz ou électrique chaud ou d'un four chaud.
- Soyez extrêmement prudent lorsque vous déplacez un appareil contenant de l'huile chaude ou tout autre liquide chaud.
- Pour débrancher, régler l'interrupteur à « OFF » (désactivée) et retirer ensuite la fiche de la prise murale.
- N'utilisez pas l'appareil pour une autre utilisation que l'utilisation indiquée.
- Cet appareil est pourvu d'une fiche polarisée (une lame est plus large que l'autre). Pour réduire le risque d'électrocution, cette fiche est conçue pour s'encaster dans une prise secteur polarisée dans un sens uniquement. Si la fiche ne s'insère pas complètement dans la prise secteur, retournez la fiche. Si elle ne s'encastre toujours pas, contactez un électricien qualifié. Ne tentez pas de modifier la fiche de quelque manière que ce soit.
- Utilisez la plus extrême prudence lorsque vous retirez le plateau ou jetez la graisse chaude.
- Ne le nettoyez pas à l'aide de tampons à récurer métalliques. Des morceaux risquent de se détacher du tampon à récurer et d'entrer en contact avec les parties électriques, créant ainsi un risque d'électrocution.

- Aucun aliment de grande taille ni ustensile métallique ne doit être inséré dans cet appareil car cela risque de provoquer un risque d'incendie ou d'électrocution.
- Un incendie risque de se produire si l'appareil est couvert d'une matière inflammable ou entre en contact avec une telle matière, notamment les rideaux, les tentures, les parois et des matières équivalentes, pendant son fonctionnement. Ne rangez aucun objet au-dessus de l'appareil pendant son fonctionnement.
- Une attention extrême devrait être apportée lors de l'utilisation de récipients constitués de matières autres que le métal ou le verre.
- Ne ranger aucun objet, autre que les accessoires recommandés par le fabricant, à l'intérieur de ce four lorsque vous ne l'utilisez pas.
- Ne placez aucune des matières suivantes à l'intérieur du four : plastique, papier ou carton.
- Ne couvrez pas les grilles, les tiroirs ni aucune autre des pièces du four de feuille d'aluminium car cela provoquerait une surchauffe.
- Réglez toujours la Minuterie et le Sélecteur de source de chaleur sur « OFF » puis débranchez l'appareil électrique de la prise secteur lorsque vous ne l'utilisez pas et avant de le nettoyer.
- Pour une utilisation domestique **UNIQUEMENT**.



## MISE EN GARDE

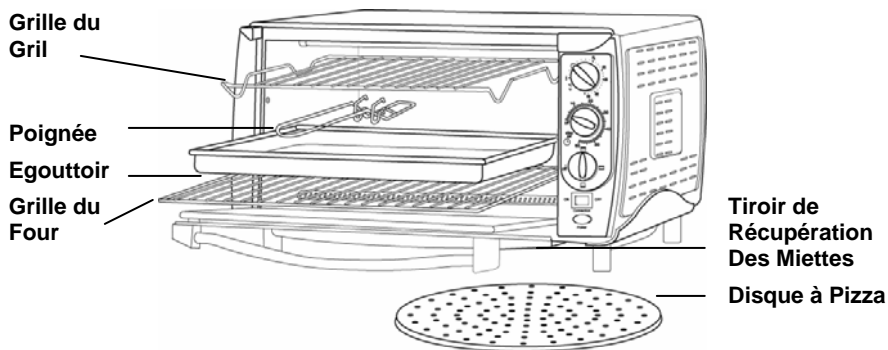
**Pour empêcher toute blessure physique ou tout dommage matériel, lisez et suivez toutes les consignes et mises en garde.**

### PRECAUTIONS D'UTILISATION

- Cet appareil n'est pas conçu pour chauffer de l'huile ni tout autre liquide.
- N'utilisez pas d'ustensile tranchant pour le nettoyage de la porte vitrée du four car les rayures risqueraient de l'affaiblir et de la faire voler en éclats.
- Ne touchez pas les éléments chauffants car des brûlures graves peuvent en résulter.
- Posez les récipients, plats, tiroirs et grilles sur une manique, une grille ou toute autre surface résistante à la chaleur. Ne les posez pas directement sur le plan de travail, sur la table ni sur toute autre surface.
- Le fait de ne pas nettoyer l'appareil après chaque utilisation risque de provoquer un risque d'incendie.
- En cas d'incendie, débranchez le four puis fermez la porte du four.
- Le cordon d'alimentation fourni est court pour réduire les risques qu'une personne se prenne les pieds ou trébuche sur un cordon plus long.
- Des cordons d'alimentations plus longs détachables ou des cordons de rallonge sont disponibles et peuvent être utilisés à condition de faire preuve de prudence lors de leur utilisation. Bien que l'utilisation d'un cordon de rallonge ne soit pas recommandée, si vous devez en utiliser un, la puissance nominale indiquée pour le cordon d'alimentation détachable ou pour le cordon de rallonge devrait être au moins aussi importante que la puissance nominale de l'appareil. Si l'appareil est de type raccordé à la terre, le cordon de rallonge devrait être relié à la terre et composé de trois fils. Le cordon devrait être disposé de manière à ne pas pendre depuis le plan de travail d'où il risque d'être tiré par des enfants ou d'où quelqu'un pourrait s'y prendre les pieds.
- N'essayez pas de réparer cet appareil vous-même.

# CONSERVEZ CES CONSIGNES

## ACCESSOIRES



**Grille du four :** Votre four est livré avec une grille de four chromée. Les extrémités de la grille s'encastrent dans les guides situés des deux côtés du four. Réglez la hauteur de la grille en choisissant les guides qui conviennent.

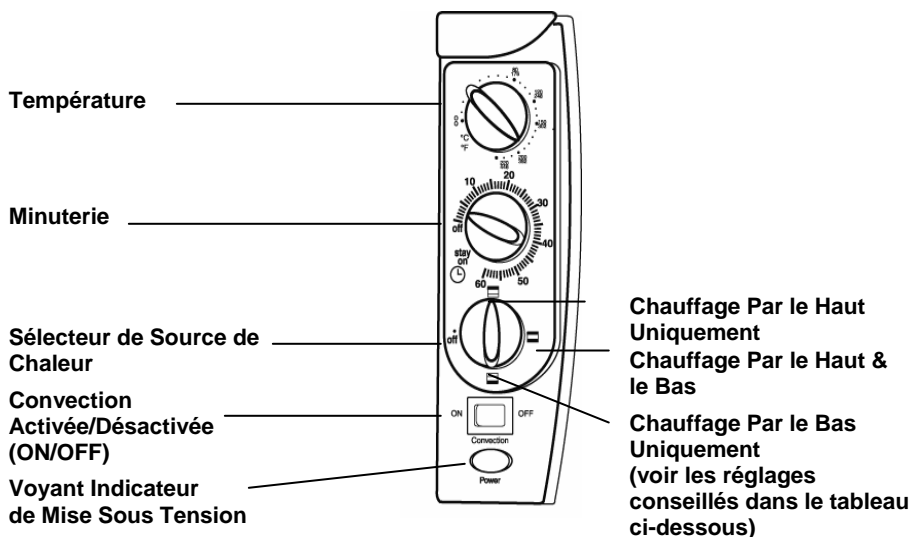
**Egouttoir et grille du gril :** La grille du gril permet à la graisse de s'écouler vers l'égouttoir, l'évacuant ainsi loin des aliments afin d'éviter toute projection. La grille du gril s'utilise toujours avec l'égouttoir. **N'utilisez jamais la grille du gril seule car la graisse risquerait de s'écouler vers un élément chauffant et de provoquer un risque d'incendie.** L'égouttoir peut être utilisé seul pour la cuisson ou le réchauffage d'aliments.

**Poignée :** Une poignée métallique est fournie et peut être utilisée pour l'insertion ainsi que pour le retrait de la grille et/ou de l'égouttoir. Ne tentez pas d'utiliser la poignée pour retirer la grille ou un plat contenant des aliments.

**Disque à pizza :** Ce four est équipé d'un disque à pizza de 12" (30 cm) pour une cuisson homogène des pizzas. Ne faites cuire aucune pizza de plus de 12" dans ce four.

**Tiroir de récupération des miettes :** Il permet de retirer les miettes facilement.

## CONSOLE DE COMMANDE



## UTILISATION DE VOTRE MINI-FOUR

Réglages conseillés pour le Sélecteur de source de chaleur et la Température		
Fonction	Réglage du Sélecteur de Température	Température
Maintien au chaud	Haut uniquement	175°F (79,45°C)
Gril	Les deux	Max.
Grillade légère	Les deux	Max. : contrôle de la couleur par rapport au temps
Cuisson/Rôtisserie	Les deux	Suivant la recette*

\*Si les aliments prennent une coloration trop foncée ou s'ils dorment trop rapidement, désactivez l'élément du haut ou retirez les aliments du four.

**Avant la première utilisation :** Retirez tout autocollant ou toute étiquette se trouvant sur les éléments chauffants. Vérifiez que le four ne contient aucun papier ni objet non destiné à une utilisation dans ce four. Nettoyez l'intérieur, la grille du four, les plats, les tiroirs et les autres accessoires selon la description fournie dans la section « Nettoyage De Votre Mini-Four » du présent manuel.

### Utilisation Élémentaire :

1. Branchez le cordon à une prise secteur de 120 volts AC **UNIQUEMENT**.
2. Placez la grille du four et les tiroirs/plats dans la position souhaitée.
3. Placez les aliments dans un récipient adapté sur la grille du four.
4. Sélectionnez la température souhaitée.
5. Réglez la minuterie sur l'heure de votre choix ou en position « toujours en marche ». Laissez le four en préchauffage pendant 10 minutes. **Remarque** :: Lorsque vous réglez la minuterie à moins de 15 minutes, vous devez tourner au-delà du repère 15 minutes, puis revenir en arrière jusqu'au nombre de minutes désiré. Cette opération est nécessaire pour activer la minuterie et allumer l'appareil.
6. Sélectionnez la position du sélecteur de source de chaleur : Haut Uniquement, Haut & Bas, Bas Uniquement
7. Paramétrez la convection sur « ON » (activée) ou sur « OFF » (désactivée). Recommandé dans la plupart des cuissons pour aider à obtenir un dorage uniforme ainsi que des résultats plus rapides.
8. Lorsque la cuisson est terminée, utilisez des maniques et/ou des gants de cuisine pour ouvrir la porte et retirer le récipient de cuisson. Réglez le sélecteur de source de chaleur sur « OFF » (désactivé). Débranchez la fiche de la prise secteur. Laissez le four refroidir complètement avant de le nettoyer.

**ATTENTION** : Soyez extrêmement attentif à maintenir les mains et le visage à l'écart de la porte lors de son ouverture car cela peut provoquer un dégagement de vapeur ou d'air chaud. Ne posez pas de récipient de cuisson sur la porte vitrée car cela risque de la détériorer.

### Cuisson Des Pizzas :

1. Placez la grille du four sur les guides de support du milieu.
  2. Réglez la température sur 350°F (176,68°C).
  3. Préchauffez le four pendant 10 minutes. Placez la pizza sur le disque à pizza puis faites-le glisser sur la grille du four en vous assurant qu'il est le plus au fond du four possible. Faites cuire selon votre convenance.
- De la fumée et/ou une certaine odeur pourront se dégager lors de la chauffe initiale en raison des huiles de fabrication – ceci est normal.
  - Vous pourrez entendre des bruits d'expansion/contraction durant la chauffe et le refroidissement initiaux – ceci est normal.

## NETTOYAGE DE VOTRE MINI-FOUR

**ATTENTION :** Avant de nettoyer toute pièce du four, réglez toujours la minuterie et le sélecteur de source de chaleur sur « OFF » (désactivé), débranchez le cordon de la prise secteur puis laissez le four refroidir complètement.

Afin de maintenir votre mini-four propre, essuyez tout aliment renversé, toute projection et miette après chaque utilisation.

1. L'égouttoir de la grille du four, la grille du gril et le tiroir de récupération des miettes peuvent être lavés à l'eau chaude savonneuse à l'aide d'un torchon à vaisselle, rincés et séchés ou passés au lave-vaisselle automatique. N'utilisez aucun tampon à récurer métallique ou abrasif ni aucun détergent sur ces pièces car cela risquerait de détériorer les finitions.
2. Essuyez l'extérieur du four et la porte vitrée à l'aide d'un torchon souple et humide puis séchez-les. N'utilisez aucun type de tampon à récurer ni de détergent sur les surfaces extérieures ni sur la porte vitrée car cela risquerait de créer des rayures. En cas de rayure du verre, celui-ci risque de s'affaiblir et de voler en éclats.
3. Essuyez l'intérieur du four à l'aide d'un torchon humide puis séchez-le. N'utilisez aucun tampon à récurer métallique ou abrasif, aucun détergent ni nettoyant pour four à l'intérieur du four car cela l'endommagerait. Soyez prudent en essayant à proximité des éléments de chauffage afin d'éviter toute détérioration de ceux-ci.

## GUIDE DE DEPANNAGE

PROBLEME	CAUSE POTENTIELLE	SOLUTION
<b>Aliments trop/pas assez cuits</b>	Température ou réglage incorrects	Réglez la durée ou la température. Votre mini-four étant plus petit que votre four ordinaire, il se réchauffe plus rapidement et cuit pendant des <u>périodes plus courtes</u> .
	Positionnement de la grille	Les grilles ont peut-être besoin d'être réglées pour s'adapter à des types d'aliments particuliers.
<b>Odeur de brûlé</b>	Accumulation d'aliments à l'intérieur du four, sur les éléments de chauffage ou dans le tiroir de récupération des miettes	Voir la section consacrée au « Nettoyage de Votre Four ».
<b>Le four ne se met pas en marche</b>	L'appareil est débranché. Le sélecteur de source de chaleur est « OFF » (désactivé).	Branchez l'appareil à la prise secteur. Positionnez la minuterie sur le réglage souhaité.
<b>Seul un élément de chauffage chauffe</b>	Le sélecteur de source de chaleur est réglé pour chauffer à partir d'un seul élément.	Vérifiez le sélecteur de source de chaleur pour vous assurer qu'il est réglé pour chauffer à partir des deux côtés.
<b>L'élément de chauffage ne reste pas en marche</b>	Les éléments de chauffage s'activent et se désactivent par cycles pour maintenir la température de chauffage qui convient.	

## GARANTIE DU PRODUIT

### Garantie limitée d'1 an de l'appareil

Focus Electrics, LLC garantit cet appareil contre tout défaut de pièce et de main d'œuvre pendant un (1) an à compter de la date d'achat d'origine avec un justificatif d'achat à condition que l'appareil soit utilisé et entretenu conformément avec le Mode d'emploi de Focus Electrics. Toute pièce défectueuse de l'appareil sera réparée ou remplacée sans frais à la discrétion de Focus Electrics. Cette garantie s'applique en cas d'utilisation domestique en intérieur uniquement.

La présente garantie ne couvre aucun dommage, notamment la décoloration, de toute surface antiadhésive de l'appareil. Cette garantie est nulle et non avenue, tel que déterminé uniquement par Focus Electrics si l'appareil est détérioré à la suite d'un accident, d'une mauvaise utilisation, d'une utilisation abusive, d'une négligence, d'une rayure ou si l'appareil est modifié de toute manière.

LA PRÉSENTE GARANTIE ANNULE ET REMPLACE TOUTE GARANTIE INDIUITE, NOTAMMENT LES GARANTIES DE COMMERCIALISATION, D'ADAPTATION À UN USAGE PARTICULIER, DE PERFORMANCE, OU AUTRE QUI SONT ICI EXCLUES. EN AUCUN CAS FOCUS ELECTRICS. NE POURRA ÊTRE TENUE POUR RESPONSABLE DE TOUT DOMMAGE, QUE CELUI-CI SOIT DIRECT, INDIRECT, INDIUIT, PRÉVISIBLE, SECONDAIRE OU PARTICULIER, RÉSULTANT DE L'UTILISATION DE OU EN RELATION AVEC CET APPAREIL.

Si vous pensez que cet appareil est défectueux ou nécessite des réparations pendant la durée de sa garantie, veuillez contacter le Service clientèle de Focus Electrics au (866) 290-1851 ou nous envoyer un e-mail à [service@focuselectrics.com](mailto:service@focuselectrics.com). Une facture justifiant la date d'achat d'origine sera nécessaire pour toute demande dans le cadre de la garantie, les factures manuscrites ne sont pas acceptées. Il est possible que l'on vous demande de renvoyer l'appareil pour inspection et évaluation. Les frais de transport de retour ne sont pas remboursables. Focus Electrics n'est pas responsable pour les retours perdus pendant le transport.

**Valide uniquement aux USA et au Canada**

## PIECES DE RECHANGE

Les pièces de rechange, si elles sont disponibles, peuvent être commandées directement chez Focus Electrics, LLC de plusieurs façons. Commandez en ligne à [www.focuselectrics.com](http://www.focuselectrics.com), par courriel à [service@focuselectrics.com](mailto:service@focuselectrics.com), par téléphone au (866)290-1851, ou en écrivant à :

Focus Electrics, LLC  
Attn: Customer Service  
P. O. Box 2780  
West Bend, WI 53095

Pour les commandes payées par chèque ou mandat, veuillez d'abord prendre contact avec le service à la clientèle pour obtenir le montant total de la commande. Envoyez votre paiement avec une lettre indiquant le modèle ou le numéro de catalogue de votre appareil (ce numéro est situé au-dessous ou au dos de l'appareil) et fournissez une description de la pièce ou des pièces ainsi que la quantité que vous souhaitez commander. Les chèques sont à écrire à l'ordre de Focus Electrics, LLC. Les taxes sur les ventes de votre état ou province et des frais d'expédition seront ajoutés à votre prix total. Il faut compter environ deux semaines pour le traitement et la livraison

Ce manuel contient des informations importantes et utiles concernant l'utilisation et l'entretien sans danger de votre nouveau produit Focus Electrics. Pour une consultation ultérieure, fixez le ticket de caisse daté pour avoir un justificatif d'achat pour la garantie et indiquez les informations ci-dessous:

Date d'achat ou de réception en cadeau : \_\_\_\_\_

Lieu d'achat et prix, si connu : \_\_\_\_\_

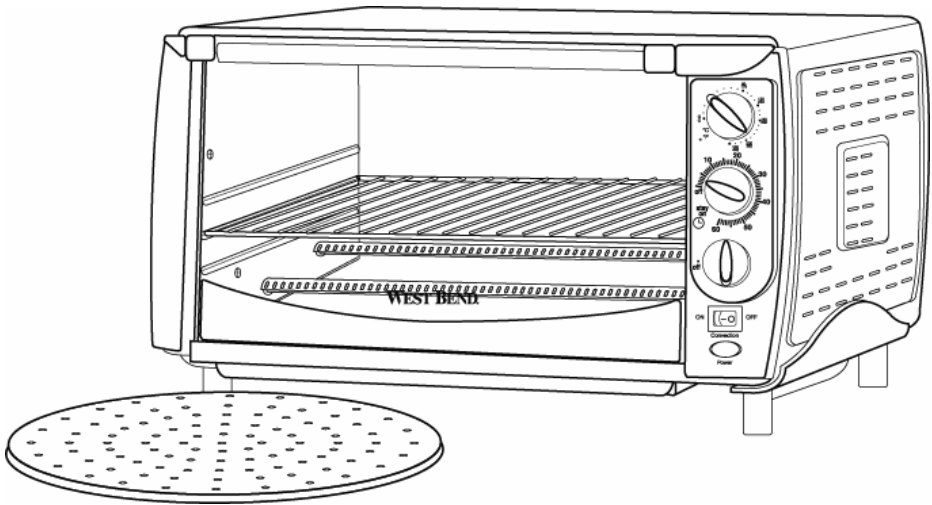
Numéro de l'article et Code de date (indiqué au bas/dos du produit) : \_\_\_\_\_



# WEST BEND®

## HORNO DE ENCIMERA

Manual de instrucciones



Registre éste y otros productos de Focus Electrics en nuestro sitio:  
**[www.focuselectrics.com](http://www.focuselectrics.com) en Internet**

Precauciones Importantes.....	2
Precauciones de Funcionamiento .....	3
Accesorios.....	4
Cómo Usar su Horno de Encimera.....	5
Cómo Limpiar su Horno de Encimera .....	7
Guía de Solución de Problemas.....	7
Garantía .....	8

**CONSERVE ESTE MANUAL DE INSTRUCCIONES COMO REFERENCIA PARA EL FUTURO**

© 2008 West Bend, una Marca de Focus Electrics, LLC.  
[www.focuselectrics.com](http://www.focuselectrics.com)

# PRECAUCIONES IMPORTANTES



## PRECAUCIÓN

**Para evitar lesiones personales o daños materiales, lea y acate todas las instrucciones y advertencias.**

Al utilizarse artefactos eléctricos, siempre deben acatarse las precauciones básicas de seguridad incluyendo las siguientes:

- Lea todas las instrucciones, incluyendo estas precauciones importantes, así como las instrucciones de uso y cuidado en este manual.
- No toque las superficies calientes. Use las agarraderas o las perillas.
- Para protegerse contra descargas eléctricas no sumerja el cable, enchufes, u otras partes eléctricas en agua u otros líquidos.
- Se requiere de supervisión adulta cuando cualquier artefacto electrodoméstico sea usado por o cerca de niños.
- Desenchufe el aparato del tomacorriente cuando no esté en uso y antes de limpiarlo. Deje que se enfríe antes de poner o quitar alguna parte, y antes de limpiar.
- No haga funcionar este artefacto electrodoméstico con el cordón eléctrico o el enchufe dañado, después que el artefacto llegase a funcionar mal, o si el artefacto se ha dejado caer o se ha dañado de alguna manera. Si usted experimenta algún problema con su máquina, desenchúfela inmediatamente del tomacorriente. Para información relativa al servicio de reparaciones vea la página de garantías.
- El uso de accesorios no recomendados por Focus Electric's puede causar lesiones.
- No use este aparato a la intemperie.
- No permita que el cordón eléctrico cuelgue del borde de un mostrador, mesa u otra superficie, o que toque superficies calientes.
- No la coloque en o cerca de un quemador caliente de gas o eléctrico o en un horno caliente.
- Se debe tener extrema precaución al mover un artefacto electrodoméstico que contenga aceite caliente u otros líquidos calientes.
- Para desconectar apague la unidad y luego desenchufe de la pared.
- No utilice el aparato para usos distintos del indicado.
- Este artefacto tiene un enchufe polarizado (una clavija es más ancha que la otra). Para reducir el riesgo de descarga eléctrica, este enchufe está diseñado para encajar de una sola manera en un tomacorriente polarizado. Invierta el enchufe si éste no encaja completamente en el tomacorriente o en el cable de extensión. Si todavía no encaja, póngase en contacto con un electricista calificado. No trate de modificar el enchufe de manera alguna.
- Tenga extremo cuidado al sacar la bandeja o al desechar la grasa caliente.
- No la limpie con esponjas metálicas. Pedazos pueden desprenderse de la esponja y tocar partes eléctricas, creando un riesgo de descarga eléctrica.

- La comida demasiado grande o los utensilios metálicos no deben insertarse en este artefacto electrodoméstico ya que pueden causar un fuego o una descarga eléctrica.
- Un incendio pudiera iniciarse si al artefacto en funcionamiento lo cubriesen o tocasen materiales inflamables, tales como cortinas, colgaduras, paredes, y similares. No almacene ningún artículo encima del artefacto electrodoméstico mientras esté en operación.
- Debe tenerse extremo cuidado al usar recipientes contruidos de materiales que no sean de metal o vidrio.
- Mientras este horno no esté en uso, no almacene en él ningún material que no sea alguno de los accesorios recomendados por el fabricante.
- No coloque ninguno de los materiales siguientes en el horno: plástico, papel o carton.
- No cubra las rejillas, bandejas o parte alguna del horno con hojas de aluminio ya que ocasionará sobrecalentamiento.
- Cuando el horno no se esté usando y antes de la limpiarlo, siempre gire al Temporizador de control y al Selector del nivel de calor a la posición "OFF" (apagado) y desenchúfelo del tomacorriente.
- Para uso doméstico en interiores **SOLAMENTE**.



## PRECAUCIÓN

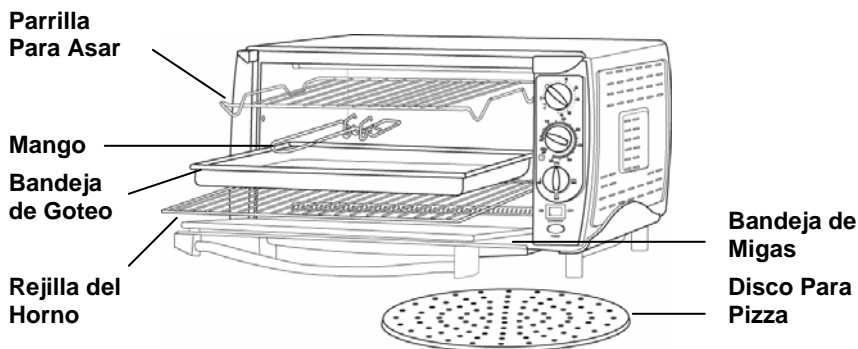
**Para evitar lesiones personales o daños materiales, lea y acate todas las instrucciones y advertencias.**

### PRECAUCIONES DE FUNCIONAMIENTO

- Este dispositivo no está diseñado para calentar aceite u otros líquidos.
- No use utensilios afilados para limpiar la puerta de vidrio del horno pues si la rayase pudiera debilitarla y causar que se haga añicos.
- No toque los elementos calentadores pues podría sufrir quemaduras serias.
- Coloque los recipientes para cocinar, bandejas y rejillas sobre una almohadilla térmica, un trébede u otra superficie que proteja contra el calor. No coloque el electrodoméstico directamente sobre la encimera, mesa o cualquier otra superficie.
- El no limpiarlo tras cada uso puede resultar en un potencial peligro de incendio.
- Desenchufe el horno y ciérrele la puerta si se observa fuego.
- Se suministra un cordón eléctrico corto para reducir los riesgos que resultan de enredarse o tropezarse con un cordón eléctrico más largo.
- Hay disponibles cordones de alimentación eléctrica desmontables más largos o extensiones eléctricas y pueden ser utilizados si se ejerce cuidado al usarlos. Mientras el uso de una extensión eléctrica no es recomendado, si usted debe usar una, la capacidad eléctrica nominal marcada en el cordón desmontable de alimentación eléctrica o la extensión eléctrica deberá ser al menos la misma que la capacidad eléctrica nominal del artefacto electrodoméstico. Si el artefacto electrodoméstico es del tipo conectado a tierra, la extensión eléctrica deberá ser un cordón eléctrico de 3 hilos con conexión a tierra. El cordón eléctrico debería ser extendido de tal manera que no pase sobre encimeras o mesas donde pueda ser tirado por niños o tropezarse con el mismo.
- No trate de reparar este artefacto electrodoméstico usted mismo.

# CONSERVE ESTAS INSTRUCCIONES

## ACCESORIOS



**Rejilla Del Horno:** Su horno incluye una rejilla de horno cromada. Los bordes de la rejilla se deslizan sobre guías a ambos lados del horno. Ajuste la altura de la rejilla eligiendo la guía apropiada.

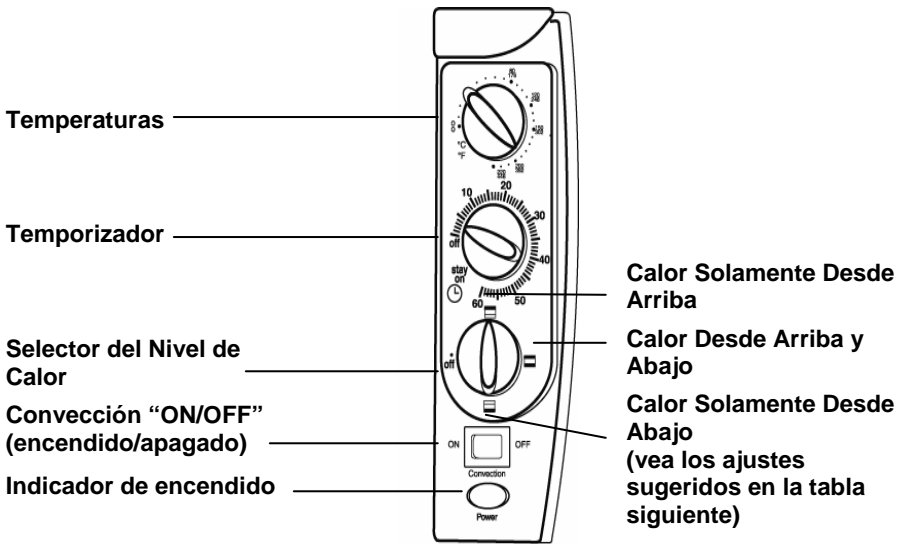
**Bandeja de Goteo y Parrilla Para Asar:** La parrilla para asar permite que la grasa gotee a la bandeja de goteo y encauce la grasa lejos del alimento, lo cual ayuda a prevenir el salpicado. La parrilla para asar siempre debe usarse conjuntamente con la bandeja de goteo. **Nunca use la parrilla para asar por sí sola ya que la grasa puede gotear sobre un elemento calentador y crear un riesgo de incendio.** La bandeja de goteo puede ser usada por sí sola para hornear o recalentar alimentos.

**Mango:** Un mango metálico es provisto para insertar y quitar la rejilla y/o la bandeja de goteo. No intente usar el mango para quitar la rejilla o la bandeja con alimentos en ellas.

**Disco Para Pizza:** Este horno está equipado con un disco de 12" para pizzas para hornearlas de manera pareja. Dentro de este horno no hornee pizzas mayores de 12".

**Bandeja de Migas:** Permite deshacerse fácilmente de las migas.

## TABLERO DE CONTROL



## CÓMO USAR SU HORNO DE ENCIMERA

Ajustes Sugeridos del Selector del Nivel de Calor y de Temperaturas		
Función	Ajuste de Selector del Nivel de Calor	Temperaturas
Recalentar	Solamente desde arriba	175
Asar a la parrilla	Ambos	Máx.
Tostar	Ambos	Máx –controle el grado de tostado variando el tiempo
Hornear/Asar	Ambos	Según la receta*

\*Si los alimentos se doran demasiado o demasiado rápido, apague la unidad superior o retire los alimentos del horno.

**Antes del primer uso:** Retire cualquier etiqueta adhesiva de las superficies de calentamiento. Asegúrese de que el horno esté libre de cualquier papel u objeto que no deba usarse en el horno. Limpie el interior, la rejilla, las bandejas y demás accesorios del horno tal como se describe en la sección "Cómo Limpiar su Horno de Encimera" de este manual.

### Uso Básico:

1. Enchufe el cordón eléctrico **SOLAMENTE** a un tomacorriente de corriente alterna de 120 voltios.
2. Coloque la rejilla del horno y las bandejas en la posición deseada.
3. Coloque el alimento en un recipiente para cocinar apropiado sobre la rejilla del horno.
4. Seleccione la temperatura deseada.
5. Ajuste el temporizador al tiempo deseado o en la posición 'stay on' (encendido permanente). Permita que el horno se precaliente durante 10 minutos. **Nota:** Cuando fije el temporizador en menos de 15 minutos, debe girarlo más allá de la marca de 15 minutos y luego volver a la cantidad de minutos deseados. Esto debe hacerlo para activar el temporizador y encender la unidad.
6. Seleccione la posición deseada del selector del nivel de calor: "Top Only" (*Sólo desde arriba*), "Top & Bottom" (*Desde arriba y desde abajo*), "Bottom Only" (*Sólo desde abajo*).
7. Seleccione si desea encender o no la función de convección: posición "ON" (encendida) o posición "OFF" (apagada). La mayoría de las veces, ésta se recomienda al hornear para ayudar a dorar de manera pareja y obtener resultados más rápidos.
8. Cuando se haya completado la cocción, utilice almohadillas térmicas y/o guantes de cocina para abrir la puerta y sacar el recipiente en que se cocinó. Coloque el Selector del nivel de calor en la posición "OFF" (apagado). Desenchufe del tomacorriente. Permita que el horno se enfríe por completo antes de limpiarlo.

**PRECAUCIÓN:** Tenga extremo cuidado en alejar las manos y voltear la cara al abrir la puerta pues vapor o aire caliente pueden liberarse. No apoye los recipientes de cocinar sobre la puerta de vidrio pues pueden dañarla.

### Horneado de Pizzas:

1. Coloque la rejilla del horno en la guía de soporte colocada en el medio.
  2. Ajuste la temperatura a 350°F (176°C).
  3. Precaliente el horno durante 10 minutos. Coloque la pizza sobre el disco para pizzas y deslícelo sobre la rejilla del horno asegurándose de que entre lo más adentro posible en el horno. Hornee hasta el grado deseado.
- Durante el primer uso, puede notarse algo de humo o un olor extraño debido a los aceites empleados en el proceso de fabricación – esto es normal.
  - Asimismo, pueden notarse algunos sonidos de expansión o contracción durante el calentamiento o enfriamiento – lo cual también es normal.

## CÓMO LIMPIAR SU HORNO DE ENCIMERA

**PRECAUCIÓN:** Antes de limpiar cualquier parte del horno, siempre coloque el *temporizador de control* y el *selector del nivel de calor* en la posición "OFF" (apagado), desenchufe el cordón eléctrico del tomacorriente y permita que el horno se enfríe.

Para mantener su horno de encimera limpio, tras cada uso limpie con un trapo todo derrame de alimentos, salpicaduras y migas.

1. La bandeja de goteo de la rejilla del horno, la parrilla para asar y la bandeja de migas pueden lavarse con un trapo de cocina en agua jabonosa caliente, enjuagarse y secarse; o pueden lavarse en un lavavajillas automático. No use ninguna esponja o limpiadores metálicos o abrasivos con estas piezas pues el acabado puede dañarse.
2. Limpie la parte exterior del horno y la puerta de vidrio con un trapo suave humedecido y luego séquelas. No use ningún tipo de esponja o limpiador abrasivo sobre las superficies exteriores o la puerta de vidrio pues las rayará. Si el vidrio se raya, éste puede debilitarse y romperse.
3. Limpie el interior del horno con un trapo húmedo, y luego séquelo. Dentro del horno, no use esponjas metálicas, limpiadores abrasivos o limpiadores de horno ya que podrá causar daños. Tenga cuidado de no causar daño alguno al limpiar alrededor de los elementos calentadores.

## GUÍA DE SOLUCIÓN DE PROBLEMAS

PROBLEMA	CAUSA POTENCIAL	SOLUCIÓN
<b>Alimentos cocidos de más o de menos</b>	Temperatura o ajuste incorrectos	Ajuste el tiempo o la temperatura. Debido a que su horno de encimera es más pequeño que su horno regular, se calentará más rápido y cocinará en períodos más rápido.
	Colocación de la rejilla	Puede que sea necesario ajustar la posición de las rejillas según los tipos específicos de alimentos.
<b>Olor a quemado</b>	Acumulación de alimentos dentro del horno, en los elementos calentadores o en la bandeja de migas.	Refiérase a la sección de limpieza de su horno.
<b>El horno no se enciende</b>	La unidad está desenchufada.  El selector del nivel de calor es ajustado en la posición "OFF" (apagado).	Enchufe la unidad al tomacorriente.  Gire el temporizador al ajuste deseado.
<b>Un solo elemento calentador está calentando</b>	El selector del nivel de calor está ajustado para calentar con un sólo un elemento.	Compruebe el selector del nivel de calor para asegurarse de que esté ajustado para calentar desde ambos lados.
<b>El elemento calentador no se mantiene encendido</b>	Los elementos calentadores se encenderán y apagarán para mantener la temperatura apropiada.	

## GARANTÍA DEL PRODUCTO

### Garantía limitada de 1 año del artefacto electrodoméstico

Focus Electriccs, LLC ("Focus Electriccs") garantiza que este aparato no presentará fallas de material ni fabricación durante un (1) año a partir de la fecha original de compra con prueba de dicha compra, siempre y cuando el aparato sea operado y mantenido tal como se indica en el manual de instrucciones provisto. Toda pieza del aparato que presente fallas será reparada o reemplazada sin costo alguno a criterio de Focus Electriccs. Esta garantía rige solamente para el uso domestico dentro de la casa.

Esta garantía no cubre ningún daño, incluyendo la decoloración, de superficie antiadherente alguna del aparato electrodoméstico. Esta garantía es nula y sin valor, según lo determine exclusivamente Focus Electriccs si el artefacto electrodoméstico es dañado a causa de accidente, mal uso, abuso, negligencia, rayaduras, o si el artefacto electrodoméstico es cambiado de algún modo.

ESTA GARANTÍA REEMPLAZA A TODAS LAS DEMÁS GARANTÍAS IMPLÍCITAS, INCLUYENDO AQUÉLLAS DE COMERCIABILIDAD, IDONEIDAD PARA UN FIN O USO EN PARTICULAR, DESEMPEÑO, U OTROS TIPOS, LAS CUALES QUEDAN EXCLUIDAS MEDIANTE EL PRESENTE DOCUMENTO. FOCUS ELECTRICS RECHAZA TODA RESPONSABILIDAD POR DAÑOS, YA SEAN DIRECTOS, INDIRECTOS, INCIDENTALES, PREVISIBLES, CONSECUENTES O ESPECIALES QUE SURJAN DE ESTE APARATO ELECTRODOMÉSTICO O GUARDEN RELACIÓN CON EL MISMO.

Si piensa que el artefacto electrodoméstico se ha dañado o requiere de servicio dentro de su período de garantía, por favor póngase en contacto con el Departamento de Atención al Cliente de Focus Electriccs por el (866) 290-1851 o contáctenos por correo electrónico a [service@focuselectrics.com](mailto:service@focuselectrics.com). Para todas las reclamaciones de garantía, se requerirá un recibo que demuestra la fecha de compra original, los recibos escritos a mano no son aceptados.

También puede requerirse que usted devuelva el aparato para su inspección y evaluación. Los gastos de devolución no son reembolsables. Focus Electriccs no se hace responsable de las devoluciones perdidas en tránsito.

Válido sólo en EE.UU. y Canadá

## REPUESTOS

Los repuestos, de estar disponibles, pueden ser pedidos directamente a Focus Electriccs, LLC de varias maneras. Ordene en línea a través de [www.focuselectrics.com](http://www.focuselectrics.com), por correo electrónico a [service@focuselectrics.com](mailto:service@focuselectrics.com), por teléfono llamando al (866) 290-1851, o escribiendo a:

Focus Electriccs, LLC  
Attn: Customer Service  
P. O. Box 2780  
West Bend, WI 53095

Para colocar un pedido con pago mediante cheque o giro postal, póngase en contacto primero con Atención al Cliente para que le indiquen el total de la orden. Envíe su pago junto con una carta que indique el número de modelo o catálogo de su aparato, que puede ubicarlo en la parte inferior o posterior de la unidad, una descripción de la parte o partes que usted solicita, y la cantidad que desea. Su cheque deberá ser hecho a nombre de Focus Electriccs, LLC.

El impuesto sobre las ventas de su estado y un recargo por gastos de envío serán añadidos al precio total. Por favor permita un plazo de dos semanas para el procesamiento y entrega.

Este manual contiene información importante y útil sobre el uso seguro y el cuidado de su nuevo producto Focus Electriccs. Para su propia referencia, archive aquí el recibo fechado que sirve de comprobante de compra para la garantía, y anote la siguiente información:

Fecha en que compró o recibió la unidad como regalo: \_\_\_\_\_

Dónde se efectuó la compra y el precio, si lo sabe: \_\_\_\_\_

Número y código de fecha del producto (aparece en la parte inferior/posterior de la unidad): \_\_\_\_\_



## Free Manuals Download Website

<http://myh66.com>

<http://usermanuals.us>

<http://www.somanuals.com>

<http://www.4manuals.cc>

<http://www.manual-lib.com>

<http://www.404manual.com>

<http://www.luxmanual.com>

<http://aubethermostatmanual.com>

Golf course search by state

<http://golfingnear.com>

Email search by domain

<http://emailbydomain.com>

Auto manuals search

<http://auto.somanuals.com>

TV manuals search

<http://tv.somanuals.com>