

USER MANUAL

PEK1370W, PEK1350W,
GEK1235W, GEK1385W

ELEVATED COOKING APPLIANCES

 **Westinghouse**
made for modern families

CONGRATULATIONS

Dear customer,
Congratulations on the purchase of your new oven.
Follow the instructions below to ensure that you install your oven safely and that it runs efficiently.
To avoid the risks that are always present when you use an electric appliance, it is important that the appliance is installed correctly and that you read the safety instructions carefully to avoid misuse and hazards.
We recommend that you keep this instruction booklet for future reference and pass it on to any future owners.
After unpacking the appliance, please check it is not damaged. If in doubt, do not use the appliance but contact your local customer care centre.

CONDITIONS OF USE

This appliance is intended to be in household and other similar applications such as:

- Staff kitchen areas in shops, offices and other working environments
- Farm houses
- By clients in hotels, motels and other residential type environments
- Bed and breakfast type environments

Record model and serial number here:

Model:.....

Serial No:.....

CONTENTS

Important safety warnings.....	3
Description of your appliance	5
Before operating your appliance for the first time.....	7
Parts of your electric cooker.....	8
The parts of your gas cooker	9
Using your oven	10
Get to know your oven.....	12
Oven cooking guide.....	13
Handling baking problems.....	14
Using your grill	15
Using your hotplates.....	16
Choosing utensils	17
Using the timer and clock	18
Operating the programmable clock.....	18
Cleaning the cooker	19
Solving problems	22
Installing the electric cooker.....	23
Installing the gas cooker.....	24
Testing the operation of the cooker.....	26
Warranty.....	27

IMPORTANT SAFETY INSTRUCTIONS

Please read the user manual carefully and store in a handy place for later reference.

The symbols you will see in this booklet have these meanings:



WARNING

This symbol indicates information concerning your personal safety



CAUTION

This symbol indicates information on how to avoid damaging the appliance



TIPS & INFORMATION

This symbol indicates tips and information about use of the appliance



ENVIRONMENTAL TIPS

This symbol indicates tips and information about economical and ecological use of the appliance



This symbol indicates never to do this



This symbol indicates always do this



TIPS & INFORMATION

IMPORTANT – CHECK FOR ANY DAMAGES OR MARKS

If you find the oven is damaged or marked, you must report it within 7 days if you wish to claim for damage/marks under the manufacturer's warranty. This does not affect your statutory rights.



ENVIRONMENTAL TIPS

INFORMATION ON DISPOSAL FOR USERS

- Most of the packing materials are recyclable. Please dispose of those materials through your local recycling depot or by placing them in appropriate collection containers.
- If you wish to discard this product, please contact your local authorities and ask for the correct method of disposal.



WARNING

- This appliance is not intended for use by persons (including children) with reduced physical, sensory or mental capabilities, or lack of experience and knowledge, unless they have been given supervision or instruction concerning use of the appliance by a person responsible for their safety. Children should be supervised to ensure that they do not play with appliance.
- DO NOT allow young children to use the cooker.
- DO NOT use the cooker as a heater.
- During use, this appliance becomes hot. Care should be taken to avoid touching hot surfaces, e.g. oven door, heating elements.
- This appliance must not be used as a space heater.
- In order to avoid a fire, the appliance must be kept clean and vents kept unobstructed.
- Do not spray aerosols in the vicinity of the appliance during operation.
- Do not store flammable materials in or under the appliance, e.g. Aerosols.
- Accessible parts will become hot when in use. To avoid burns and scalds children should be kept away.
- Do not line the bottom of the oven or grill with foil or cookware. It will damage the enamel.
- This appliance must not be installed on a box or in a closed cupboard.
- Oven gloves should be worn when accessing hot internal parts.
- If the electrical supply cord is damaged, it must be replaced by a suitably qualified individual in order to avoid a hazard.
- Do not modify this appliance.



WARNING

GRILL

- ✔ The grill door must be left fully open whilst grilling in a separate grill wall oven.
- ✔ The grill drawer must be left approximately two finger widths ajar whilst grilling in a separate grill underbench oven.
- ✔ Always turn the grill off immediately after use as fat left there may catch fire.
- ✘ Do not cover the insert with foil, as fat left there may catch fire.
- ✔ Always keep the grill dish clean as any fat left may catch fire.
- ✘ Do not leave the grill on unattended.
- ✔ To avoid a fire, ensure that grill trays and fittings are always inserted into the appliance in accordance with the instructions.
- ✘ Do not place thick portions of food under the grill. Foods may curl, catch and ignite.
- ✔ Do not store flammable materials in the grill.
- ✔ If the burner is not lit in eight seconds, turn the control knob to off and allow 15 seconds for the gas to clear.
- ✔ Accessible parts may become hot when grill is in use. Children should be kept away.

OVEN

- ✔ During use the appliance becomes hot. Care should be taken to avoid touching the hot surfaces inside the oven.
- ✔ Switch the appliance off before removing the oven light glass for globe replacement.
- ✔ To avoid an accident, ensure that oven shelves and fittings are always inserted into the appliance in accordance with the instructions.
- ✘ Do not use the door as a shelf.
- ✘ Do not push down on the open oven door.
- ✘ Do not use harsh abrasive cleaners or sharp metal scrapers to clean the oven door glass since they can scratch the surface, which may result in shattering of the glass.

WARNING

COOKTOPS

- ✘ Do not allow pots to boil dry, as damage to both pan and cooktop may result.
- ✘ Do not operate the cooktop for an extended period of time without a utensil on the hot plate.
- ✘ Do not allow large cookware to overhang the cooktop onto the adjacent benchtop. This will cause scorching to the benchtop surface.
- ✔ If the ceramic glass is accidentally cracked, switch off the appliance to avoid the possibility of electric shock.
- ✘ Do not place heat resistant mats, wire mats or aluminium foil under pots or pans.
- ✘ Do not cook food directly on the ceramic glass surface.
- ✘ Do not allow cooking utensils to intrude into the area which is close to the controls.
- ✘ Ensure burner caps are in their proper positions.
- ✘ Do not use round bottom woks, wok stands or similar utensils that could lead to over heating of hotplates and possible damage to the cooking surface.
- ✘ Do not use the ceramic cooktop as extra bench space or as a cutting board.

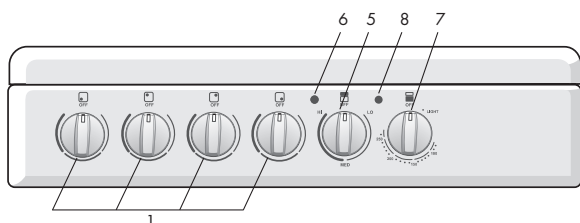
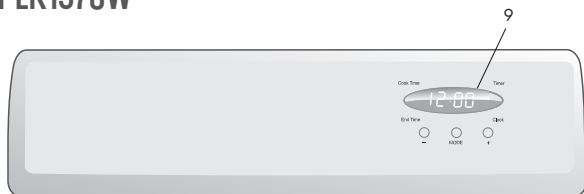
INSTALLATION, CLEANING AND SERVICING

- ✔ An authorised person must install and service this appliance. (Certificate of Compliance to be retained)
- ✔ Do not install gas models in marine craft, caravans or mobile homes because these products are not fitted with a flame safeguard on each burner.
- ✔ Before using the appliance, ensure that all packing materials are removed from the appliance.
- ✘ In order to avoid any potential hazard, the enclosed installation instructions must be followed.
- ✘ Ensure that all specified vents, openings and airspaces are not blocked.
- ✔ Where the appliance is built into a cabinet, the cabinet material must be capable of withstanding 85°C.
- ✘ Always ensure the appliance is switched off before cleaning or replacing parts.
- ✔ If this appliance is gas operated it contains aluminium fittings. Do not use caustic based cleaners.
- ✔ Do not use steam cleaners, as this may cause moisture build up.
- ✔ Always clean the appliance immediately after any food spillage.
- ✘ To maintain safe operation, it is recommended that the product be inspected every five years by an authorised service person.

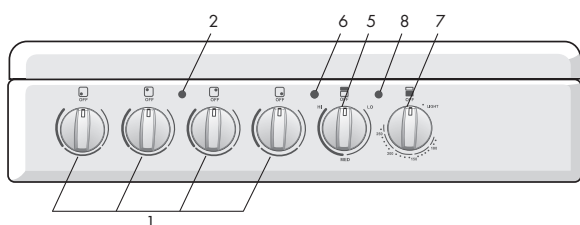
This appliance must be earthed.

DESCRIPTION OF YOUR APPLIANCE

PEK1370W



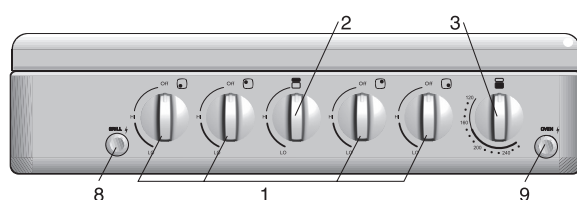
PEK1350W



- 1. Hotplate Control Knob**
 - Adjusts temperature of hotplate.
 - Can be rotated in either direction.
- 2. Hotplate Indicator Lamp**
 - Comes on when a hotplate is turned on.
- 3. Oven light switch**
 - Located on oven temperature control knob.
- 4. 2 Hour Cut-Off Timer**
 - Sets baking/grilling reminder time.
 - Sets automatic baking cut-off time.
 - (See page 17 for more information).
- 5. Grill Temperature Control Knob**
 - Sets grilling temperature for separate grill.
 - Can be rotated in either direction
 - (See page 14 for more information).
- 6. Grill Indicator Lamp**
 - Comes on when grilling.
- 7. Oven Temperature Control Knob**
 - Sets temperature for baking.
 - (See page 10 for more information)
- 8. Oven Indicator Lamp**
 - Comes on when the oven temperature control knob is operated. Cycles on and off automatically when baking.
- 9. Programmable Clock**
 - Sets baking/grilling reminder times.
 - Sets automatic cooking duration and stop time.
 - NOTE: Clock time must be set before oven can operate. (See page 17 for more information).*

DESCRIPTION OF YOUR APPLIANCE

GEK1235W



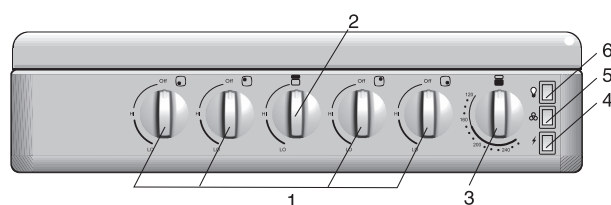
- Hotplate Burner Control Knob**
 - Sets the hotplate cooking temperature. (See pg 16 for more information).

- Grill Burner Control Knob**
 - Sets the grilling temperature. (See pg 14 for more information).

- Oven Burner Control Knob**
 - Sets the baking temperature. (See pg 10 for more information).
NOTE: Diagram depicts right hand version.

- Electronic Igniter Switch**
 - Ignites the hotplate burners, grill burner and oven burner.
NOTE: The appropriate burner control knob has to be set first.

GEK1385W



- Fan Switch**
 - Turns oven fan on/off.

- Light Switch**
 - Turns oven light on/off.

- 60 Minute Ringer Timer**
 - Sets reminder time. (See pg 17 for more information).

- Manual Grill Igniter Button**
 - Ignites the grill burner.
NOTE: The grill burner control knob has to be set to "High" first. (see pg 14 for more information).

- Manual Oven Igniter Button**
 - Ignites the oven burner.
NOTE: The oven burner control knob has to be held down first (see pg 11 for more information).

BEFORE OPERATING YOUR APPLIANCE FOR THE FIRST TIME

TIPS & INFORMATION

SETTING THE TIME

If you have purchased a model fitted with a 3 button programmable timer, you **MUST** set the time of day before you can operate your appliance.

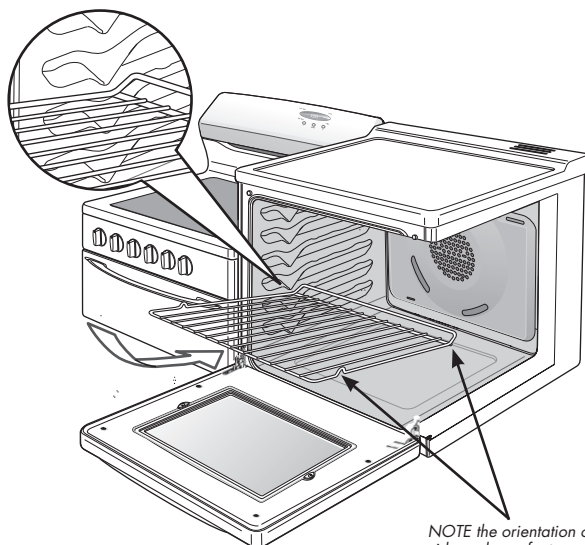
ELECTRONIC CLOCK

- After the appliance has been electrically connected "12.00" will be displayed and the "clock" indicator will flash.
- To set the time of day, press - or +. 5 seconds after the last change, the "clock" indicator will disappear, confirming the time has been set.
- *NOTE: The clock has a 24-hour display.*



FITTING OVEN SHELVES

- Ensure shelf orientation is correct (refer picture).
- Slide into oven at an angle until raised back of shelf is past the stop on side runners.
- Lower front of shelf and push in until stop is reached.
- *NOTE: The top ledge is not a shelf position.*



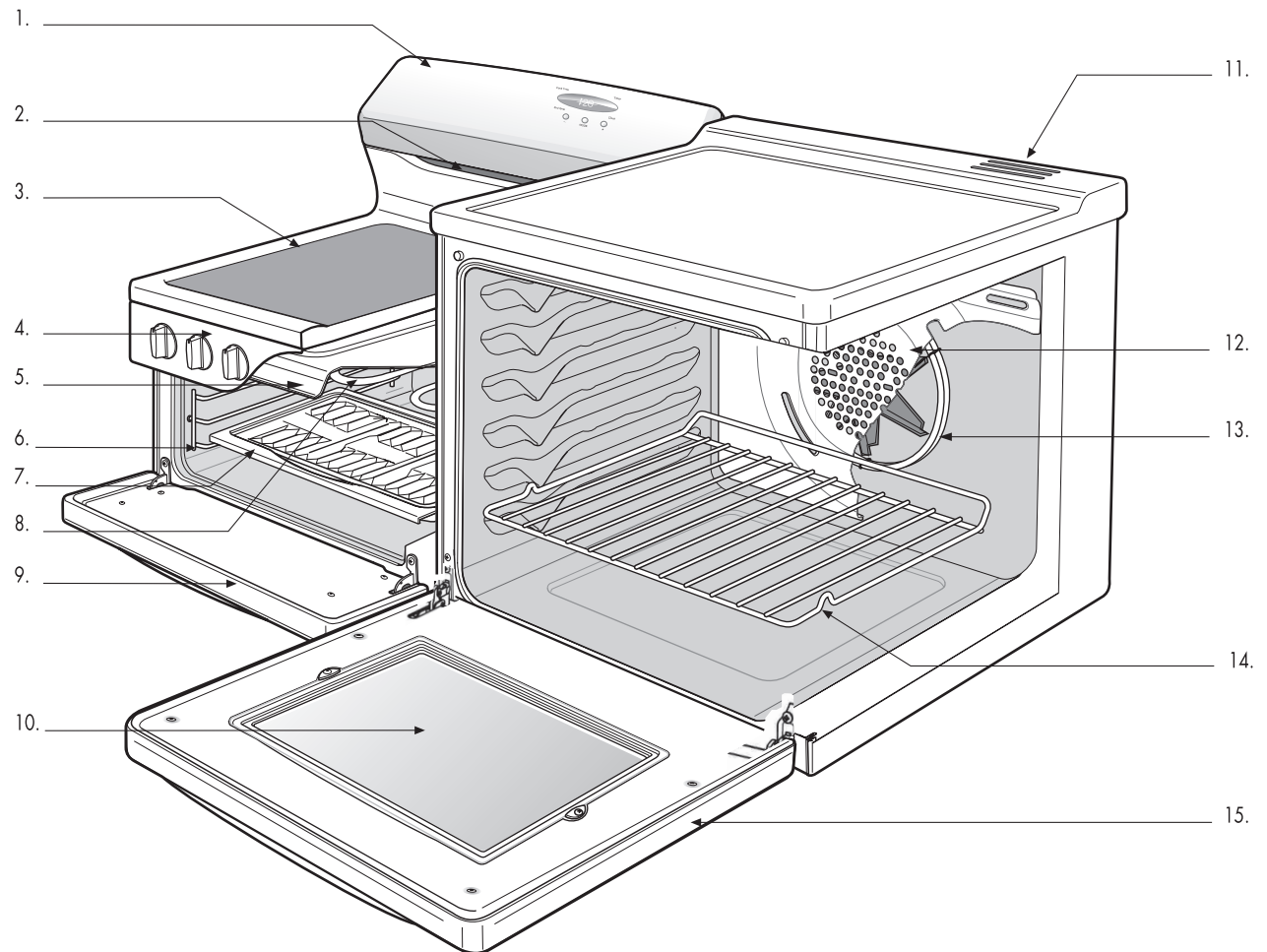
NOTE the orientation of the side and rear features.

PREPARING YOUR APPLIANCE FOR THE FIRST TIME

- Please remove all internal boxes and bags from the oven & remove visible labels from surfaces before operation.
- Please wipe out the oven interior prior to operation with warm soapy water and polish dry with a soft clean cloth. Do not close the oven door until the oven is completely dry.
- New appliances can have an odour during first operation. It is recommended to 'run in' your oven before you cook for the first time. Run the oven at 180°C for 2-4 hours and ensure that the room is well ventilated.
- **DO NOT** line the oven with foil, it will damage the enamel.
- If your appliance is fitted with a 2-hour "Auto Off" timer, make sure it is set to the 'O' marker for manual operation.
- If your appliance is fitted with solid hotplates, turn heat setting to high for 3 minutes to fully harden the coating. When cooled, apply a thin coating of cooking oil to seal the surface.

PARTS OF YOUR ELECTRIC COOKER

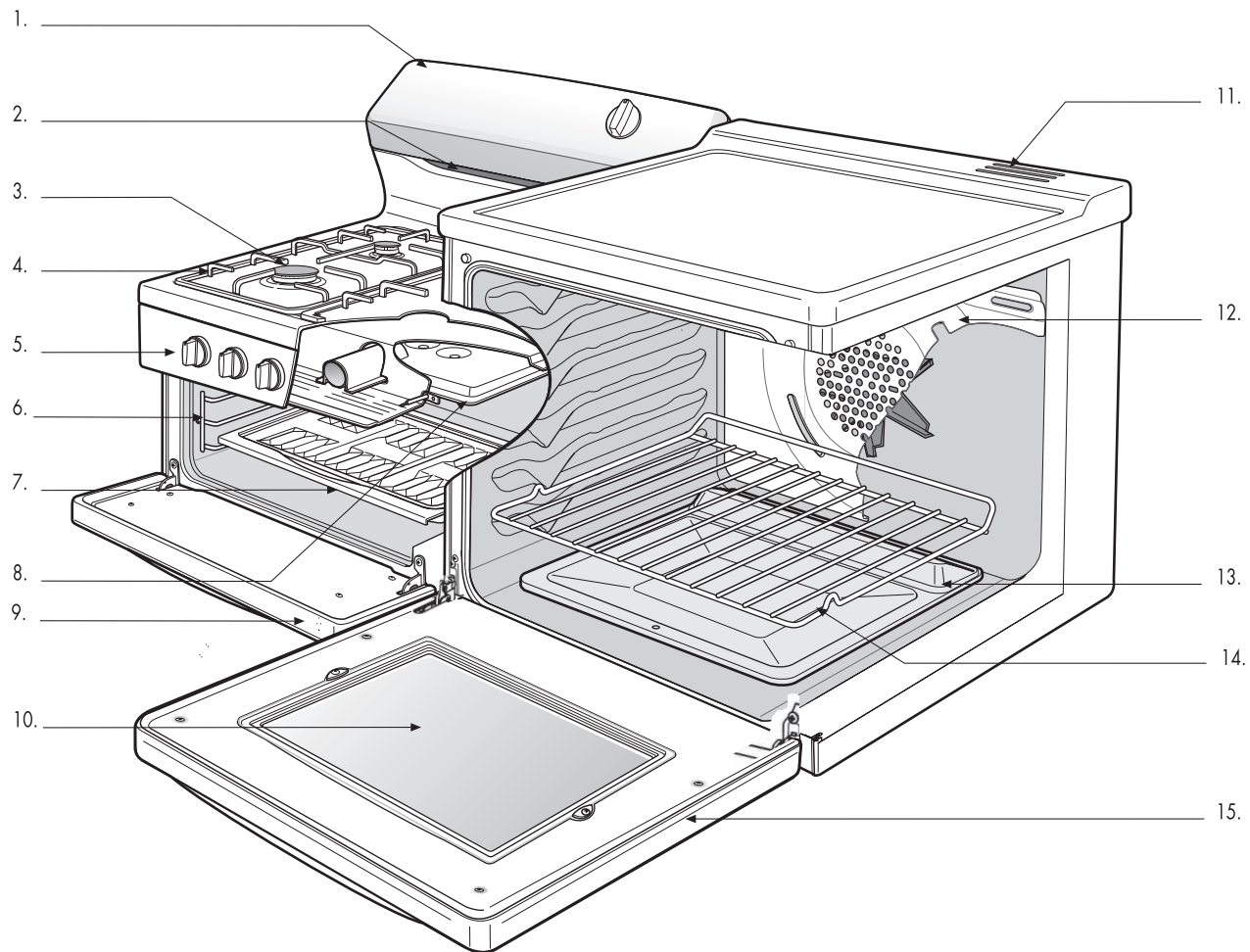
Check the parts of your cooker against the diagram before you use your cooker for the first time.



- | | |
|--------------------------------------|-------------------------|
| 1. Splashback | 10. Inner Door Glass |
| 2. Grill Vent | 11. Oven Vent |
| 3. Hob | 12. Fan & Element Cover |
| 4. Control Panel | 13. Oven Element |
| 5. Grill Reflector | 14. Removable Shelf |
| 6. Removable Grill Dish Side Support | 15. Oven Door |
| 7. Removable Grill Dish & Tray | |
| 8. Grill Element | |
| 9. Grill Door | |

PARTS OF YOUR GAS COOKER

Check the parts of your cooker against the diagram before you use your cooker for the first time.



- | | |
|--------------------------------------|---------------------------------------|
| 1. Splashback | 10. Inner Door Glass |
| 2. Grill Flue Vent | 11. Oven Flue Vent |
| 3. Removable Hotplate Burner | 12. Fan Cover (fan forced ovens only) |
| 4. Removable Trivet | 13. Oven Burner Cover |
| 5. Control Panel | 14. Removable Shelf |
| 6. Removable Grill Dish Side Support | 15. Oven Door |
| 7. Removable Grill Dish and Tray | |
| 8. Grill Burner | |
| 9. Grill Door | |

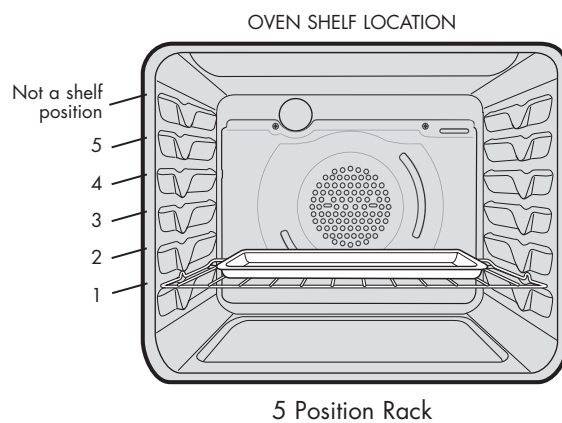
USING YOUR OVEN

OVEN SAFETY WARNINGS



WARNING

- ALWAYS follow the instructions for putting the shelves and fittings into the oven, to avoid accidents.
- DO NOT line the oven with foil.
- DO NOT use polyunsaturated oil when cooking in the oven. This type of oil can cause heavy deposits inside the oven.
- DO NOT touch the hot surfaces or heating elements inside the oven.
- DO NOT use the oven door as a shelf.
- DO NOT push down on the open oven door.
- DO NOT place cookware or anything else on the bottom of conventional model oven.
- DO NOT place shelves on top of upper most shelf runner as there are no stops for shelf withdrawal.



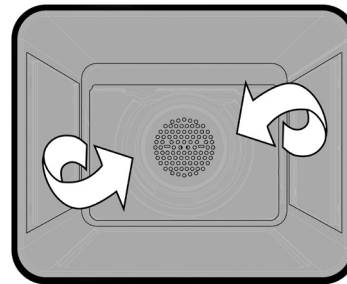
USING THE OVEN OF YOUR ELECTRIC COOKER

Fan Baking (Fan forced oven models)

- With fan forced ovens, heat comes from the element surrounding the fan (see diagram below).
- The fan circulates the hot air and so the temperature is more even throughout the oven.
- Fan baking:
 - Cooks faster and at lower temperatures than conventional baking
 - Is good when you are cooking food on different shelves at the same time.

NOTE: Some variation in browning is normal with a fan forced oven.

NOTE: 3 Button timer models MUST have the clock set after a power outage to operate oven!



Preheating the oven

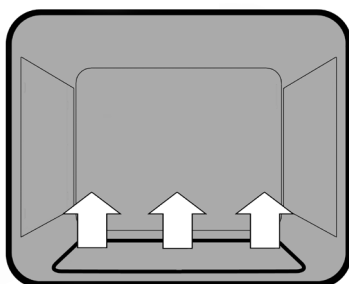
We recommend that you preheat your oven before you put the food in to be cooked.

1. Set the required temperature.
2. When the indicator light goes out, put the food in the oven, close the door and set the timer.

USING THE OVEN OF YOUR GAS COOKER

Baking

- With conventional oven models heat comes from the burner below the food at rear of oven.
- The burner is controlled by the thermostat which sets the oven temperature.
- There is a variation in temperature between the bottom and the top of the oven. The bottom shelf is the coolest and the top shelf is the hottest.

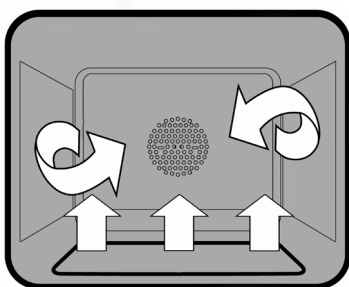


Fan Baking (Fan forced oven models)

- With fan forced ovens, heat comes from the burner below the food at rear of oven.
- The fan circulates the hot air and so the temperature is more even throughout the oven.
- Fan baking:
 - Cooks faster and at lower temperatures than conventional baking
 - Is good when you are cooking food on different shelves at the same time.

NOTE: We recommend that you preheat your oven before you turn the fan on.

NOTE: Some variations in browning is normal with a fan forced oven.



Lighting the oven

1. Press the oven burner control knob and turn it a quarter of the way.
2. For manual ignition models
 - Keep the oven burner control knob pushed in and at the same time press the oven igniter button on the right hand side of the control panel.For electronic ignition models
 - Keep the oven burner control knob pushed in and at the same time press the electronic igniter switch on the right hand side of the control panel.
3. Hold the control knob for about 20 seconds when the burner lights, before releasing it.

NOTE: If the oven does not light within 10 seconds, or the flame goes out after you release the oven burner control knob, follow these steps:

1. Turn the oven burner control knob back to the start position and let go.
2. Open the oven door to stop gas building up.
3. Wait one minute and repeat the steps to light the oven.

Preheating the oven

We recommend that you preheat your oven before you put the food in to be cooked.

The following table tells you how long it takes to preheat a cold oven to different temperatures.

SET TEMPERATURE °C	HEATING TIME
150	5 minutes
200	8 minutes
250	12 minutes

Cookware

For best cooking results with gas ovens, dark coloured trays and baking dishes are recommended.

GET TO KNOW YOUR OVEN

Get to know your new oven with this 'Simple Test Cake'

Although we strive for a perfect performing oven, it's possible that there will be some variation in colour when baking. Therefore, we suggest this simple, easy and delicious to make Simple Test Cake, it can help you understand your new oven. All ovens do sometimes have hot or cold spots, therefore it is important to judge with your eye as you may require to rotate during baking.

'Simple Test Cake'

125g butter, softened to room temperature
1 cup caster sugar
1 teaspoon pure vanilla essence
4 large eggs
2 cups self-raising flour
pinch of salt
4 tablespoons (80mL) full-cream milk

Method:

1. Butter base and sides of two, 20cm straight-sided round or square cake pans. Then line the base with grease proof or baking paper.
2. Preheat oven to moderate '180°C' (170°C fan forced) and ensure oven shelf is in the centre position of oven.
3. Cream softened butter and sugar until light in colour.
4. Add vanilla essence.
5. Then eggs one at a time, beating well after each addition.
6. Sift flour and salt into the mixture and beat until well combined.
7. Add milk and beat or stir to combine.
8. Spoon mixture equally between prepared cake pans.
9. Bake in preheated oven, middle shelf for about 25 to 35 minutes or until when tested with a fine cake skewer it comes out clean or the edges of the cakes have come away slightly from the sides of the cake pans.
10. Remove from oven to wire cake rack and rest for 5 minutes before removing from cake pans. Cool completely.

To Serve: sandwich together with your favourite jam or conserve, and dust top with pure icing sugar.

NOTE: If desired substitute butter for either margarine or olive oil spread.

Recipe is based on the Australian standard metric 250ml cup and 20ml tablespoon sets.

OVEN COOKING GUIDE

The following is intended as a guide and experience may show some slight variation to be necessary to meet individual requirements.

FOOD	CONVENTIONAL OVEN			FAN FORCED OVEN		
	Temperature in °C	Oven Shelf Position*	Time in minutes	Temperature in °C	Oven Shelf Position*	Time in minutes
Scones						
Plain or Fruit	220	2 (3)	10 – 15	210	Any	10 – 15
Biscuits						
Rolled	170 (180)	2	10 – 15	150 (170)	Any	10 – 15
Spooned	190	2	12 – 15	180	Any	12 – 15
Shortbread Biscuits	160	1 or 2	30 – 35	150	Any	30 – 35
Meringues						
Hard – individual	110	2	90	100	Any	90
Soft – Individual	180	2	15 – 20	165	Any	15 – 20
Pavlova – 6 egg	110 (120)	1	75	100	Any	75
Cakes						
Patty cakes	190	3 (4)	15 – 20	180	Any	15 – 20
Sponge – 4 egg	180	2	20 – 30	170	Any	20 – 30
Plain Butter Cake	180	2	30 – 40	170	Any	30 – 40 (25)
Rich Fruit Cake	140 (150)	2	180	130	Any	180
Pastry – Shortcrust						
Cornish Pasties	200 (200/180)	2	40 – 45 (10/30)	180 (180/160)	Any	40 – 45 (10/30)
Custard Tart	200/180 (220/180)	1 (3)	10/20 – 30 (10/35)	190/170 (200/180)	Any	20 – 30 (10/25)
Pastry Choux						
Cream Puffs	210	2	25 – 30	200	Any	25 – 30
Yeast Goods						
Bread	210	1	25 – 30	200	Any	25 – 30

* Shelf position is counted from the bottom shelf up ie. Bottom shelf position is 1
Where the gas models vary from electric, details for gas cooking is shown in brackets

MEAT	PREFERRED TEMPERATURE °C		MINUTES PER KG
Beef	200°C	Rare	35 – 40 minutes
		Medium	45 – 50 minutes
		Well Done	55 – 60 minutes
Lamb	200°C	Medium	40 minutes
		Well Done	60 minutes
Veal	180°C	Well Done	60 minutes
Pork	200°C	Well Done	60 minutes
POULTRY OR FISH	PREFERRED TEMPERATURE °C		MINUTES PER KG
Chicken	180°C		40 – 45 minutes
Duck	180 – 200°C		60 – 70 minutes
Turkey	180°C		35 – 40 minutes (less than 10kg)
			40 – 45 minutes (more than 10kg)
Fish	180°C		20 minutes

HANDLING BAKING PROBLEMS

PROBLEM	POSSIBLE CAUSE	WHAT TO DO
Uneven cooking	<ul style="list-style-type: none"> • Incorrect shelf position • Oven tray too large • Tray not in centre of oven • Air flow in oven uneven 	<ul style="list-style-type: none"> • Select shelf which puts food in centre of oven • Try other trays or dishes • Put trays in centre of oven • Turn food during cooking
Baked products too brown on top	<ul style="list-style-type: none"> • Oven not pre-heated • Aluminium foil in oven • Baking tins too large for recipe • Baking tins not evenly spaced • Food not evenly sized or placed on trays • Food placed too close to top of oven 	<ul style="list-style-type: none"> • Pre-heat until indicator light goes off • Remove foil • Use correct size tins • Place baking tins so that there is at least 3cms between tins and oven walls • Make food same size and shape and spread evenly on trays • Place food in middle or on a lower shelf
Baked products too brown on bottom	<ul style="list-style-type: none"> • Baking temperature too high • Baking tins too large for recipe • Baking tins are dark metal or glass • Food too low in oven • Oven door opened too frequently during cooking 	<ul style="list-style-type: none"> • Lower temperature • Use correct size tins • Change to shiny, light tins or lower temperature by 10°C • Cook one shelf higher • Do not open door until half way through cooking time
Cakes have cracked thick crust	<ul style="list-style-type: none"> • Baking temperature too high • Food too high in oven • Cake batter over mixed • Pan too deep • Baking tins too dark 	<ul style="list-style-type: none"> • Lower temperature • Cook one shelf lower • Mix just long enough to combine ingredients • Check size of pan and use recommended size • Change to shiny tins
Baking products are pale, flat and under cooked	<ul style="list-style-type: none"> • Baking temperature too low • Food too low in oven • Baking time too short • Incorrect tin size 	<ul style="list-style-type: none"> • Raise temperature • Cook one shelf higher • Increase cooking time • Use correct size tin
Cakes fallen in centre	<ul style="list-style-type: none"> • Baking temperature too low • Baking time too short • Measurement of ingredients is wrong • Door opened too early 	<ul style="list-style-type: none"> • Raise temperature • Increase cooking time • Check recipe • Do not open door until three quarters (¾) of way through cooking time
Crusts too thick	<ul style="list-style-type: none"> • Incorrect ingredients 	<ul style="list-style-type: none"> • Check recipe
Meat and potatoes not browning in fan oven	<ul style="list-style-type: none"> • Poor circulation 	<ul style="list-style-type: none"> • Put food onto a rack to allow air to circulate
Juices running out of meat		<ul style="list-style-type: none"> • Do not pierce meat with fork but turn with tongs

* NOTE: Condensation on oven door is normal

USING YOUR GRILL

GRILL SAFETY WARNING

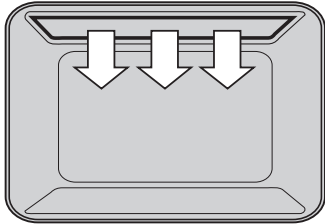


WARNING

- ALWAYS turn the grill off immediately after you have finished cooking. Fat left in the grill can catch fire.
- ALWAYS leave the grill door open during grilling.
- ALWAYS make sure that grill trays are fitted into the grill according to instructions.
- DO NOT line the chrome grill rack with foil.
- DO NOT leave the grill unattended.
- DO NOT touch the hot surfaces inside the grill and keep children away until the grill has cooled.
- DO NOT place thick pieces of food under the grill. Food may catch fire.
- DO NOT store flammable materials near the grill.

GRILLING

- The grill works by directing heat onto the food. (see diagram below).
- The grill is suitable for tender cuts of meat, steak, chops, sausages, fish, toasted cheese and other foods which cook quickly.
- The grill door **MUST** be left open during grilling.
- For best results the grill should be preheated for 3 minutes before cooking to seal the natural juices of meat.



Using the Grill of your Gas Cooker

NOTE: Before you cook on the grill for the first time, turn the grill on for fifteen minutes with 10 mm of water in the bottom of the grill dish. This will remove oils left on the grill during manufacture.

1. Turn the grill burner control knob to HI.
2. For manual ignition models
 - Press the manual igniter button on the left hand side of the control panel.For electronic ignition models
 - Press the electronic igniter switch on the right hand side of the panel.

NOTE: If the grill does not light after 8 seconds, follow these steps:

1. Turn the grill burner control knob back to the start position and let go.
2. Wait 15 seconds for the gas to clear and repeat the steps to light the grill.

Handling grilling problems

PROBLEM	CAUSES	WHAT TO DO
Grilled meats overcooked on outside and raw in centre	• Meat too close to grill	• Grill at lower shelf position
Excess grill smoke	• Build up of fats in grill	• Clean grill
Juices running out of meat		• Do not pierce meat with fork but turn with tongs
Grilled steaks and chops buckling		• Cut fat with knife towards meat

* *NOTE: Condensation in grill compartment is normal*

USING YOUR HOTPLATES

HOTPLATE SAFETY WARNING



WARNING

- DO NOT leave the hotplate on with no pot or pan on top.
- DO NOT use pots and pans which are unsteady, as these could overbalance.
- DO NOT use asbestos mats or heat diffusers. These will cause a temperature build-up which can damage the cooktop.
- DO NOT allow pots or pans to boil dry. This could damage the hotplate and/or the cooktop.
- DO NOT let cooking utensils get too close to the hotplate control knobs.
- DO NOT use the cooktop as a kitchen bench.
- DO NOT let children on or near the cooktop.
- ALWAYS make sure that gas burners are in the right position.

Using the Hotplates of your Electric Cooker

Check the hotplates on your cooker against the diagrams and instructions below before you use your cooker for the first time.

Solid hotplates

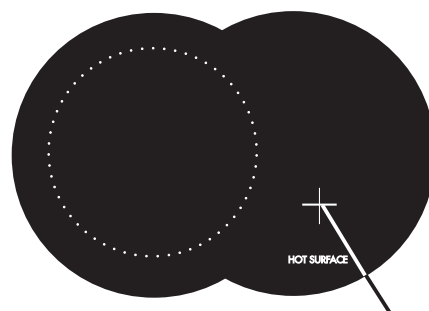
Coated hotplates are strong, solid cast hotplates that give a wide contact with pots and pans for fast efficient cooking.

The hotplates are sealed all round with stainless steel trim rings, food spills can't penetrate to make cleaning easier. The hotplates featuring a red dot in the centre indicate the hotplate temperature. Once the hotplate is heated the red dot turns darker.



Ceramic hotplates

- The cooktop is made from ceramic glass, a tough, durable material that withstands heating and cooling without breaking. It is strong enough to hold the heaviest utensil. However, it must be remembered that as it is GLASS, it may break. Treat it accordingly!
- The smooth glass surface has a pattern to show where the elements under the glass are located (see diagram below).
- When a hotplate is on, the hot surface warning light (see diagram below), will come on. When the hotplate is turned off this light will continue to glow until the temperature of the hotplate drops below 60°C.



*Hot Surface
Warning Light*

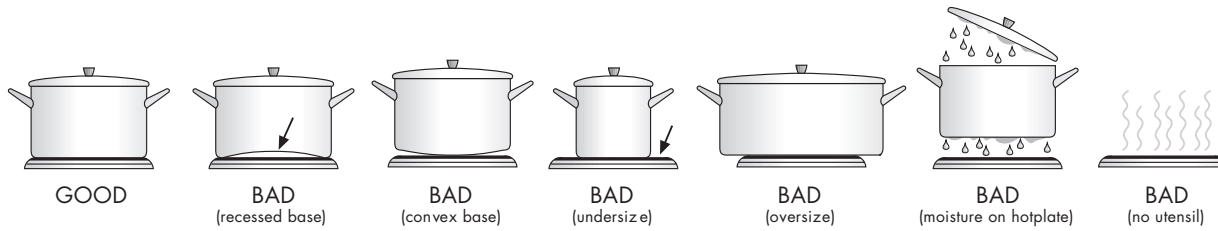
Ceramic hotplates



WARNING

- ALWAYS switch the cooker off if the ceramic glass top is cracked or broken.
 - DO NOT use aluminium foil on the ceramic hotplates.
- NOTE: Stored heat in the hotplate can be used for the last few minutes of cooking. Simply turn off the control.*

CHOOSING UTENSILS



Look at this diagram above which shows you which utensils to use on the hotplates and which utensils should not be used.

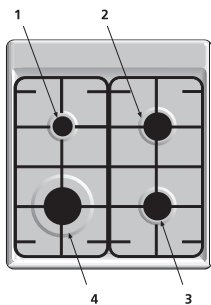
- ALWAYS use pots and pans with flat bottoms. Uneven or thin bottoms will waste electricity and cook slowly.
- ALWAYS use pots and pans which are slightly larger than the hotplate. Small pans waste electricity.
- ALWAYS put pots and pans which are dry on the hotplates.
- DO NOT use pots and pans which are too large.
Pans which overhang the hotplate more than 50mm can damage enamel cooktops.

USING HOTPLATE BURNERS

Using the Burners of your Gas Cooker

Check the hotplates on your cooker against the diagram below before you use your cooker for the first time.

NOTE: To save gas, place pots and pans centrally over the burners and adjust gas so that flames do not go past edges.



Manual ignition Models

To light these hotplates:

1. Choose the hotplate you want to use.
2. Turn the hotplate burner control knob to "Hi".
3. Light with a hand held lighter e.g. match.

Electronic ignition Models

To light these hotplates:

1. Choose the hotplate you want to use.
2. Turn the hotplate burner control knob to "Hi".
3. Press electronic igniter switch to release sparks to the burner.

WHAT IT IS	WHAT IT IS USED FOR
1 Low heat burner 5.1MJ/h	<ul style="list-style-type: none"> • Used for simmering • Used with small pots and pans
2 & 3 Medium heat burners 9.0MJ/h	<ul style="list-style-type: none"> • Used for normal cooking • Used with middle size pots & pans
4 High heat burner 12.0MJ/h	<ul style="list-style-type: none"> • Used for fast heating • Used with large size pots & pans

USING THE TIMER AND CLOCK

Using the 60 minute ringer timer

To set the timer:

1. Turn the knob clockwise to the required number of minutes. When the time has elapsed the timer will give a short ring.

NOTE: For times below 20 minutes, turn the knob past 20 minutes and then back to the required number of minutes.

Using the 2 hour cut-off timer

Manual operation

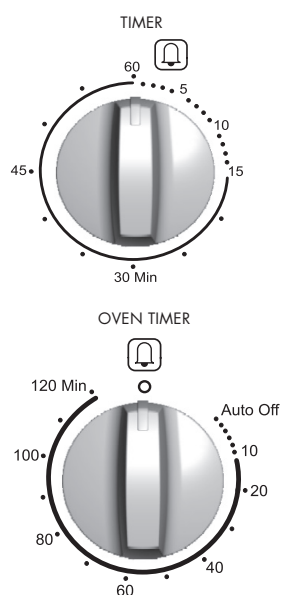
The timer needs to be set at the "O" marker so that the oven can be used manually.

Automatic operation

The 2 hour timer features an automatic oven "cut off". This means that a cooking period of up to 120 minutes can be set.

1. Set the Oven Temperature Control Knob to the required temperature.
2. Turn the cut-off timer clockwise to the required number of minutes. For timer settings of less than 20 minutes, turn the knob past 20 minutes and then back to the required number of minutes. (Purpose – to set audible ringer.)
3. When the timer returns to "Auto Off", the timer gives a short ring and the oven will be switched off.
4. The oven will not operate again until you turn the timer back to the "O" marker.

NOTE: It is not recommended to use this timer for short duration, e.g. boiling eggs.



OPERATING THE PROGRAMMABLE CLOCK



WARNING

- The Clock **MUST** be set to operate oven.





General features

Your 3 button programmable timer has the following features:



- **Timer** – your 3 button programmable timer allows you to set a countdown time that will beep when the set time has elapsed.
- **Cooking duration** – You can set a cooking duration. A timer will count down the preset cooking time, beep when the time has elapsed and turn the oven off.
- **End cooking time** – you can set a cooking finish time. A timer will count down the preset cooking time, beep when the finish time has been reached and turn the oven off.
- **Delayed start cooking time** – You can combine the cooking duration and cooking end time to switch the oven on and off at a specific time during the day.

NOTE: Your 3 button programmable timer only operates with your oven.



Change the time of day (Daylight saving)

1. Press the "mode" button until the "clock" indicator  begins flashing.
2. Press the - or + buttons to change the time. 5 seconds after the last change, the "clock" indicator  will disappear, confirming the time has been set.

Setting the timer

1. Press the "mode" button until the "timer" indicator  begins flashing.
2. Set the countdown time you want by using the - and + buttons. 5 seconds after the last change the "timer" indicator  will stop flashing, confirming the timer has been set.
3. To stop the beeper, press any button.

Setting the cooking duration

1. Check the clock displays the correct time of day.
2. Set the oven to the desired temperature. The oven indicator light will glow and the oven will come on.
3. Press the "mode" button until the "cook time" indicator  begins flashing.
4. Set the cooking duration you want by using the - or + buttons. 5 seconds after the last change, the "cook time" indicator  will stop flashing, and the time of day will be displayed.

NOTE: Do not forget to add preheating time if necessary.

OPERATING THE PROGRAMMABLE CLOCK

(continued)

Setting the cooking end time

1. Check the clock displays the correct time of day.
2. Select the desired oven function temperature. The oven indicator light will glow and the heating source will come on.
3. Press the "mode" button until the "end time" indicator ■ begins flashing.
4. Enter the time of day you want to finish cooking by pressing the – or + buttons. 5 seconds after the last change, the "end time" indicator ■ will stop flashing and the current time of day will be displayed.

Setting the delayed start cooking time

1. Program the "cook time" and "end time" as described in the relevant sections. Once both the "cook time" and "end time" have been set, the "cook time" and "end time" indicators will stop flashing and the current time of day will be displayed.

To check or cancel settings

1. To check your settings, press the mode button until the setting you want is displayed. A red light will flash next to the mode (cook time, end time etc) that is currently on display.
2. To cancel "delayed start" press the mode button until a light flashes next to "end time". Press and hold the – button until the clock no longer reverses (you will hear a beep). If you have left the temperature knob at a setting the oven will start once the "end time" light stops flashing.
3. To cancel "auto shut off" press the mode button until a light flashes next to "cook time". Press and hold the – button until the clock no longer reverses at ("0:00" and you will hear a beep). This automatically cancels "delayed start". If you have left the temperature knob at a setting, the oven will start once the "cook time" light stops flashing. Because you have cancelled "auto off" the oven will continue to heat until you manually turn it off.

On completion of cooking

The heat source will turn off, the timer will beep and the "end time" and/or "cook time" indicators will flash.

1. Turn the temperature control to the off position.
2. Press any button to stop the timer from beeping.

CLEANING THE COOKER



WARNING

Safety Warnings about cleaning

- ALWAYS make sure that the cooker is turned off before cleaning.
- ALWAYS clean cooker immediately after use.
- DO NOT use steam cleaners. These may cause moisture build-up.
- DO NOT use caustic based cleaners. These will damage aluminium parts.

Cleaning the enamel

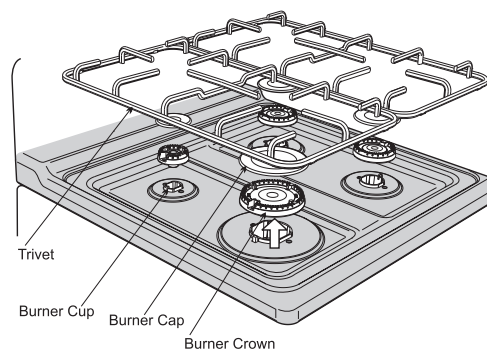
- Keep enamel clean by wiping it with a soft cloth dipped in warm soapy water.
- Rub difficult stains with a nylon scourer or creamed cleanser.
- DO NOT use abrasive cleaners, powder cleaners, steel wool or wax polishes.
- If you use an oven cleaner, follow the instructions on the product carefully.

Cleaning the control panel

- Make sure control knobs are in OFF position.
- Remove knobs from control panel by pulling towards you.
- DO NOT use too much water when cleaning control panel.

CLEANING THE GAS COOKTOP

1. Remove the trivets (see diagram below) by lifting them from hob.
2. Remove the burner caps and crowns (see diagram below).
3. Wash hob with warm soapy water.
4. If crowns and caps are heavily soiled use a non-abrasive cleaning compound.



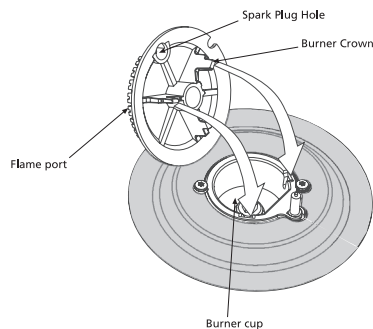
WARNING

DO NOT use abrasive or caustic based cleaners.
DO NOT wash in a dishwasher.
DO NOT drop trivet onto hob. This may damage the enamel surface.

Refitting the burner crowns and caps

The burner crown must be fitted correctly into the burner cup or damage will occur during operation.

- To do this ensure that the 2 ribs on either side of the spark plug hole are positioned into the 2 slots on the burner cup. (see diagram below)
- The burner cap is simply positioned over the top of the burner crown.



CLEANING THE ELECTRIC HOTPLATES

Solid hotplates

Coated "easy care" solid hotplates have a robust, corrosion resistant surface which is temperature resistant up to 600°C.

- Clean the hotplates after they have cooled by wiping with a damp cloth or sponge, use a small amount of detergent if necessary.
- Stubborn soiling can be removed by soaking the hotplate for a few minutes with warm water and a little detergent, followed by cleaning using a plastic scourer or soft brush.
- Any spills or marks that still remain can be burnt off by operating the hotplate on high without a pan for 2-3 minutes. When the hotplate has cooled clean it normally as above.
- After cleaning dry the hotplate by warming on a low heat for approximately 30 seconds and then oil the hotplate with a thin coating of cooking oil to prevent rust or corrosion.
- Some discolouration of the stainless trim ring is normal during use. A stainless steel cleaner may be used to clean the trim ring.



Solid hotplate



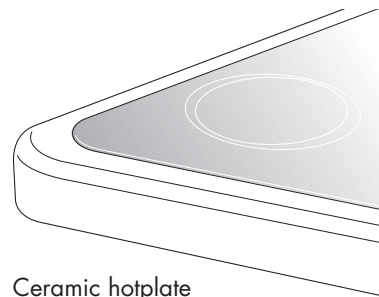
WARNING

There is a risk of burns if the hotplates are hot. Ensure the hotplates have cooled before cleaning.

Ceramic hotplates

- Remove all spilt food with the razor blade scraper supplied while the hotplate is still warm – NOT HOT.
- If aluminium foil, plastic items or foods with a high sugar content melt onto glass, use the razor blade scraper to remove immediately before the hotplate has cooled, otherwise pitting of the surface may occur. High sugar content foods include jam, fruit, carrots, tomatoes and peas.
- When the ceramic hotplate has cooled, wipe clean with dishwashing detergent on a damp cloth.

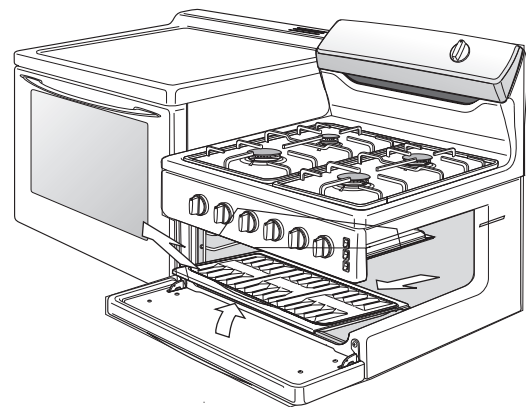
NOTE: DO NOT use abrasive sponges or scourers, oven sprays or stain removers on ceramic hotplates. These may damage, scratch or stain the ceramic cooktop. Any pitting, staining or scratching WILL NOT be covered by warranty.



Ceramic hotplate

CLEANING THE GRILL COMPARTMENT

NOTE: You can use household enamel cleaners but you MUST follow the instructions on the product. DO NOT use a harsh abrasive cleaner, powder cleaners, steel wool or wax polishes.



Removing the grill dish

1. Pull the grill dish forwards and upward.
2. Clean both the grill and grill rack in hot soapy water. Heavy baked-on stains may require soaking.
3. When replacing the grill dish make sure that the rear of the dish is fitted onto side supports before sliding backwards.

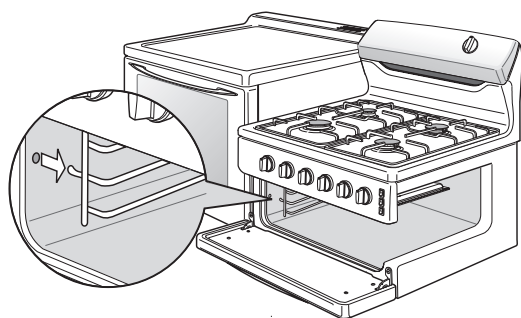
CLEANING THE COOKER

(continued)

Removing the grill dish supports

The grill dish supports can be removed for easy cleaning of the grill compartment.

1. Hold the grill dish supports at the front and pull them inwards (see diagram below).
2. Clean the grill compartment with warm soapy water or use a non-abrasive oven cleaner with a nylon scourer for hard to clean areas.
3. Replace the grill dish supports by inserting the rear hook into the rear hole.
4. Place front peg into front hole and push in firmly (see diagram below).



AIRWASH DOOR

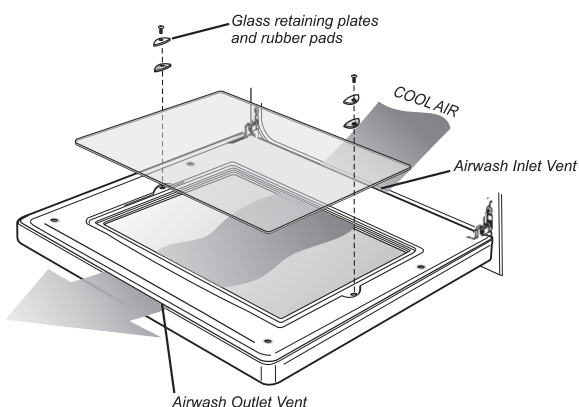
The door on your cooker is designed to allow cool air to pass up through the middle and out through the vent in the top of the door (see diagram below).

This feature results in lower surface temperatures on the outside of the door.

Cleaning the door glass

To help with cleaning the door your cooker has a removable inner door glass.

1. First open the oven door to access inner door glass screws.
2. Undo the screws on either side of the door and remove the 2 glass retaining plates and rubber pads.
3. Remove the inner glass and clean in hot soapy water.
4. The inside of the outer glass can also be wiped clean.
5. When reassembling do not overtighten the retaining plate screw.



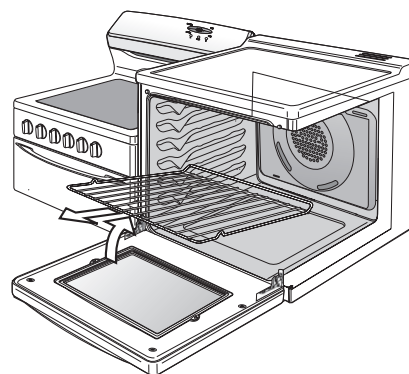
! WARNING

- DO NOT use harsh abrasive cleaners or sharp metal scrapers to clean the oven door glass since they can scratch the surface which may result in shattering of the glass
- DO NOT use the oven without the inner door glass fitted.

CLEANING THE OVEN COMPARTMENT

Removing the oven shelves

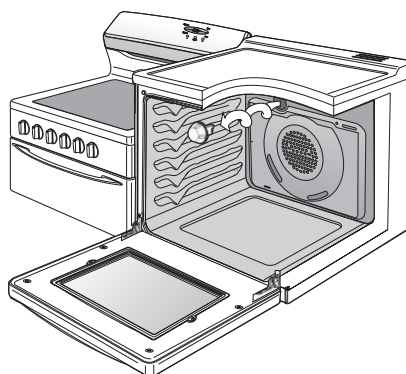
1. Slide the oven shelves towards you until they reach the front stop.
2. Tilt them up at the front to clear the side supports and lift them clear (see diagram opposite).
3. Wash the shelves in warm soapy water or soak the shelves to remove heavy stains.



Removing the oven light glass (Fan forced models only)

1. Make sure that the cooker is turned off.
2. Turn the oven light glass anti-clockwise (see diagram below).

NOTE: The fan cover and oven burner cover are not removable for cleaning. Accidental spills should be cleaned immediately so that the burner does not become blocked.



! WARNING

Make sure the appliance is turned off before you remove or replace parts, to avoid the possibility of electric shock.

SOLVING PROBLEMS

If you have a problem with your appliance, check the table below before calling service. You may be able to avoid a service call by fixing the problem yourself – and so continue cooking.
NOTE: You may be charged for the service call even in the guarantee period if the problem is due to the causes listed below.

If you need information, service or replacement parts please: Quote 1. Model Number, 2. Serial Number
 You can find these on the data plate which can be seen when the oven door is open.

If you need more information, please contact the Customer Care Centre on:

Australia 1300 363 640
 (Centre is open 8am – 5pm Monday to Friday EST) or

New Zealand 09 573 2384
 (Centre is open 8am – 5pm Monday to Friday)
 If you have a warranty or spare parts enquiry, you should call the number listed on the back page.

PROBLEM	POSSIBLE CAUSE	WHAT TO DO
No spark obtained when electronic igniter is pressed (gas cooker only)	<ul style="list-style-type: none"> • Power not turned on • Household fuse blown • Circuit breaker tripped • Spark plug is wet or dirty 	<ul style="list-style-type: none"> • Switch on electricity • Check fuses • Check circuit breaker • Dry or clean spark plug
No spark obtained when manual igniter is pressed (gas cooker only)	<ul style="list-style-type: none"> • Spark plug is wet or dirty 	<ul style="list-style-type: none"> • Dry or clean spark plug
Burner will not light even though igniter is working (gas cooker only)	<ul style="list-style-type: none"> • Gas supply valve is turned off • Port blockage in ignition area 	<ul style="list-style-type: none"> • Turn on gas supply • Make sure that ports and ignition area are clean and dry
Oven or grill not working (electric cooker only) <i>NOTE: if the household fuse continues to blow, call the Service Centre</i>	<ul style="list-style-type: none"> • Clock not set • Power not turned on • Household fuse blown • Controls incorrectly set • Circuit breaker tripped 	<ul style="list-style-type: none"> • Refer to clock instructions pg 17 • Switch on electricity • Check fuses • Reset controls • Check circuit breaker
Oven not working (electric cooker only) <i>NOTE: if the household fuse continues to blow, call the Service Centre</i>	<ul style="list-style-type: none"> • Clock program set • Household fuse blown 	<ul style="list-style-type: none"> • Cancel program, see pg 18 • Check fuses
Oven light not working <i>NOTE: if the household fuse continues to blow, call the Service Centre</i>	<ul style="list-style-type: none"> • Power not turned on • Household fuse blown • Circuit breaker tripped • Lamp blown or loose in socket 	<ul style="list-style-type: none"> • Switch on electricity • Check fuses • Check circuit breaker • Replace or tighten globe pg 20
Oven not heating enough	<ul style="list-style-type: none"> • Foil or trays on bottom of oven • Heat escaping through incorrectly sealed door • The set oven temperature is incorrect 	<ul style="list-style-type: none"> • Remove foil or trays • Check door is properly closed • Change set oven temperature
Electronic clock flashing on display (electric cooker only) <i>NOTE: if the household fuse continues to blow, call the Service Centre</i>	<ul style="list-style-type: none"> • Power failure or interruption • Household fuse blown or power supply is off 	<ul style="list-style-type: none"> • Reset time of day • Check fuses, power supply
Unit smoking when first used	<ul style="list-style-type: none"> • Protective oils being removed 	<ul style="list-style-type: none"> • Turn grill on high for 10 minutes • Turn oven on high for 10 minutes
Condensation building up	<ul style="list-style-type: none"> • Too much water used when cooking 	<ul style="list-style-type: none"> • Reduce amount of water • Leave door open after cooking, if food is to be left in oven to keep warm
Odours on first use of oven		<ul style="list-style-type: none"> • This is normal
60 minute timer not audible	<ul style="list-style-type: none"> • Timer not wound sufficiently 	<ul style="list-style-type: none"> • Turn timer knob past 15 minute mark then to the required number of minutes, see pg 17
Oven shelf tight	<ul style="list-style-type: none"> • Oven shelf not inserted correctly, may be upside down or back to front 	<ul style="list-style-type: none"> • Remove shelf and insert as per diagram pg 7
Clock display off <i>NOTE: if the household fuse continues to blow, call the Service Centre</i>	<ul style="list-style-type: none"> • Display switched off • Household fuse blown or power supply is off 	<ul style="list-style-type: none"> • To switch display on refer to pg 18 • Check fuses, power supply

Note: Only authorised service centres should carry out servicing. Otherwise warranty may be void.

INSTALLING THE ELECTRIC COOKER

SAFETY WARNINGS ABOUT INSTALLATION

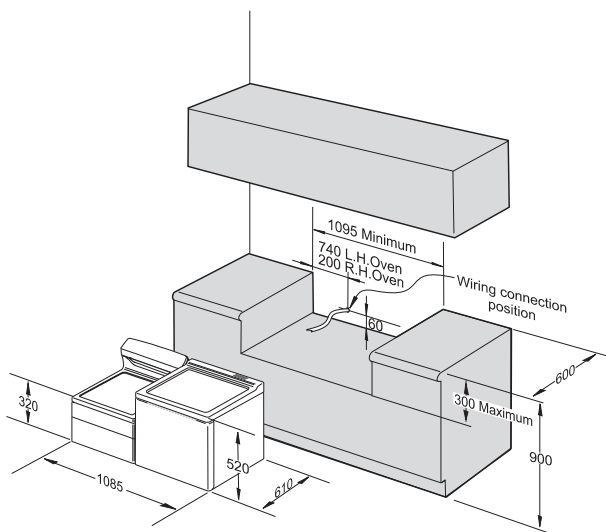
WARNING

- The cooker **MUST** be installed and serviced by a qualified technician.
- A Certificate of Compliance **MUST** be supplied to be kept by the customer.
- The packing materials **MUST** be removed before you install the cooker.
- You **MUST** follow the installation instructions in this booklet.
- The surrounding kitchen cabinets **MUST** be able to withstand 85°C. Electrolux Products **WILL NOT** accept responsibility for damage caused by installation into kitchen cabinets which cannot withstand 85°C.
- The vents, openings and air spaces **MUST NOT** be blocked.
- You **MUST NOT** pull the cooker by the door handles or the splashback.
- The cooker **MUST** be checked every five years.

Locating the cooker

Study the diagrams below to be sure of the dimensions required to locate the cooker safely.

Note: Make sure that the top of the hotplate surface is at least 10 mm higher than the level of the benchtops.



TIPS & INFORMATION

Before you cook in your new oven it is important that the protective oils used in the manufacture of the product be removed.

- Make sure that the room is well ventilated (to allow smoke to escape).
- Run the grill on high for 30 minutes, without grill dish.
- Then run the oven on 180°C for 2 hours.

Wiring requirements

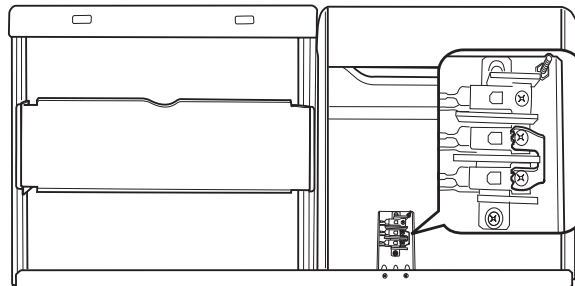
The cooker **MUST** be installed in compliance with

- Wiring connections in AS/NZS 3000 Wiring Rules
- Local regulations, municipal building codes and other statutory regulations

Data plate	<ul style="list-style-type: none"> • gives information about rating • is located on the inside panel of the grill door
Circuit diagram	<ul style="list-style-type: none"> • is located on the back panel of the control panel

- An all pole disconnect functional switch **MUST** be provided near the appliance in an accessible position (AS/NZS 3000 – Clause 4.7.1).
- Wiring **MUST** be protected against mechanical failure (AS/NZS 3000 – Clause 3.9).
- A means of disconnection with a contact separation of at least 3mm **MUST** be supplied in the fixed wiring.

Note: To gain access to the terminal block, remove the rear panel by unscrewing the two assembly screws.



WARNING

When connections are made to a multi-phase 240V supply, the bridge piece should be removed from between the active connections.

INSTALLING THE GAS COOKER

SAFETY WARNINGS ABOUT INSTALLATION

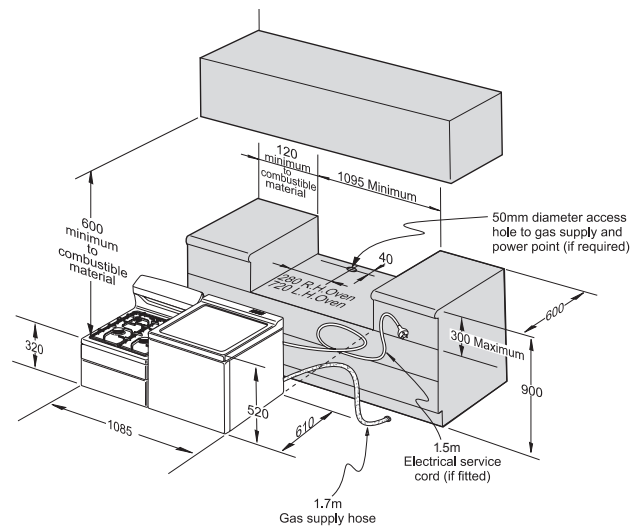
WARNING

- The cooker MUST be installed and serviced by a qualified technician.
- A Certificate of Compliance MUST be supplied to be kept by the customer.
- The packing materials MUST be removed before you install the cooker.
- You MUST follow the installation instructions in this booklet.
- The surrounding kitchen cabinets MUST be able to withstand 85°C. Electrolux Products WILL NOT accept responsibility for damage caused by installation into kitchen cabinets which cannot withstand 85°C.
- The appliance MUST be installed using the flexible hose supplied.
- The vents, openings and air spaces MUST NOT be blocked.
- You MUST NOT pull the cooker by the door handles or the splashback.
- The cooker MUST be checked every five years.
- The cooker MUST NOT be used as a space heater.

Locating the cooker

Study the diagrams below to be sure of the dimensions required to locate the cooker safely.

Note: Make sure that the top of the hotplate surface is at least 10 mm higher than the level of the benchtops.



TIPS & INFORMATION

Before you cook in your new oven it is important that the protective oils used in the manufacture of the product be removed.

- Make sure that the room is well ventilated (to allow smoke to escape).
- Run the grill on high for 15 minutes with 10mm of water in the bottom of the grill dish.
- Then run the oven on 180°C for 2 hours.

Checking gas pressures

The cooker MUST be installed in compliance with:

- The Installation Code for Gas Burning Appliances and Equipment – AS 5601/AG 601 – issued by Standards Australia (Particular reference to sections 4.8 & 5.12.1).
- Local gas fitting regulations, municipal building codes and other statutory regulations.

The cookers come in two gas types: Natural gas and Propane. Before installation check that the cooker is suitable for the gas supply. To do this check the gas type on the carton sticker or on the data plate behind the bottom of the oven door.

The following table shows the supply and operating pressures for various gas supplies.

GAS TYPE	NATURAL GAS	PROPANE
Supply Pressure at inlet to appliance regulator (if fitted)	1.13 (kPa) Minimum	2.75* (kPa)
Operating Pressure at appliance test point	1.00 (kPa)	2.75 (kPa)

*If the regulator is placed upstream of the cooker inlet, as is normal for cookers operating on Propane, then the supply pressure and operating pressure are the same.

The following table shows the injector sizes for each burner.

INJECTOR ORIFICE	NATURAL GAS	PROPANE
Low Heat Burner	1.00 mm	0.62 mm
Medium Heat Burner	1.35 mm	0.82 mm
High Heat Burner	1.60 mm	0.95 mm
Grill – main injector	1.50 mm	0.82 mm
Oven – main injector	1.60 mm	0.95 mm
Oven – bypass screw	0.73 mm	0.45 mm

Checking pipe size

To work out a suitable pipe size for connection use the information in the table below.

GAS TYPE	NATURAL GAS	PROPANE
Hourly gas consumption for this cooker	57.2 MJ/h	56.5 MJ/h

- Information about the length of the run, number of elbows, tees and bends, the available service pressure and the supply requirements.

NOTE: The Code AS 5601/AG 601 will help you with this matter.

INSTALLING THE GAS COOKER

(continued)

Gas connection

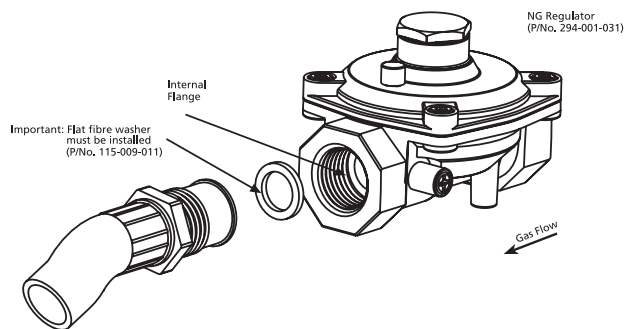
Read these points before connecting to the gas supply:

- The cooker inlet connection point is the inlet to the regulator or LP test point adaptor. This connects to the flexible hose fitted to the appliance. The appliance must be installed using the hose supplied.
- The regulator/inlet connection must be accessible when the appliance is installed.

Operation on NG/SNG

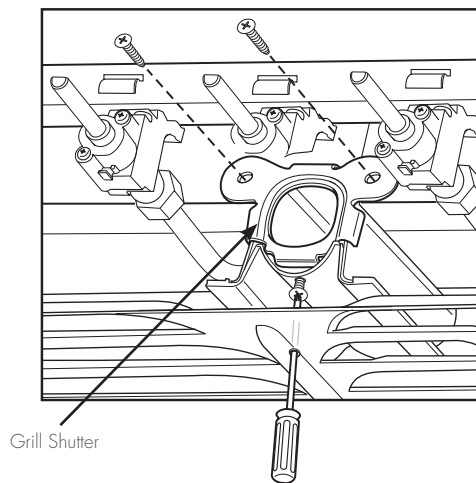
Read these points about operation on NG/SNG and look carefully at the diagram:

- The appliance regulator provided **MUST** be fitted and positioned so that the pressure nipple is accessible.
- The arrow showing the direction of the flow **MUST** be pointed correctly.
- Connect the gas supply to the 1/2" BSP internal thread inlet of the regulator.
- The flat fibre washer provided with the regulator **MUST** be used when making the gas connection.



Operation on SNG

- If the cooker is to be used with SNG, then the grill burner **MUST** be modified by the replacement of the shutter which fits into the throat of the grill burner.
- You can buy the kit for this modification from your nearest spare parts stockist. (refer to rear cover for contact details.)
 1. Remove the control panel. Remove the existing NG shutter securing screws (as in diagram) and slide upwards to disengage from grill burner.
 2. Slide the SNG shutter into position and secure with screws.



Operation on Propane

An inlet fitting with pressure test point is provided. Orient the fitting so that gas flows in the direction of the arrow marked on the fitting. Use the sealing washer to connect the fitting to the flexible hose. Connect the gas supply to the 1/2" BSP internal thread inlet of the fitting.

TESTING THE OPERATION OF THE GAS COOKER

Testing appliance operation

(Apparatus: manometer and connecting tube)

After installation, test the appliance and ensure that it operates correctly, before handing it over to the customer.

The following procedure is recommended:

- Check that the manometer zero point is correct; then connect the manometer to the appliance pressure test point. This is located on the Regulator or L.P.G. Inlet Fitting behind the kick panel (or under the Storage Drawer where fitted).
- Turn on the gas supply and electricity (if applicable) and attempt ignition. (For correct procedure, refer to the Ignition Instructions.) Note that additional time needs to be allowed for the initial lighting as air has to be purged from the pipes.
- Check the operating pressure for the particular gas-type, as given in the Table on page 23.

For L.P.G. appliances, the regulator in question may be remote from the appliance.

For Natural Gas appliances

Regulators are supplied pre-adjusted and configured by the component maker for use with Natural Gas. The appliance installer is not required to make an adjustment to obtain the correct outlet pressure setting.

An arrow on the base of the regulator indicates the direction of gas flow when the inlet and outlet of the regulator are orientated correctly. When the regulator has been fitted check for leaks from the connections with soapy water.

Checking the Function of the Regulator

The operation of the regulator can be confirmed by connecting a manometer to the pressure test point located on the side of the regulator body adjacent to the outlet.

With the appliance operating check the outlet pressure:

1. When all burners of the appliance are operating at maximum,
2. When the smallest burner of the appliance is operating at minimum.

Under these conditions the outlet pressure should not vary from the nominal outlet pressure by more than $\pm 20\%$ of the nominal outlet pressure (ie $\pm 0.20\text{kPa}$ for Natural Gas). If the regulator appears to not be performing satisfactorily then check the following points.

1. If the outlet pressure is consistently too low then the inlet pressure may be too low and adjustment of an upstream regulator may be needed, or an upstream regulator or valve with insufficient flow capacity may be present in the gas supply line. If this is suspected then it may be necessary to repeat the checks whilst measuring both the inlet and outlet pressure to determine if the inlet pressure is in the range $1.13 - 5\text{kPa}$.
2. Check that the regulator has been fitted to the gas supply line in the correct orientation, the arrow on the base of the body indicates the direction of gas flow.

Once these checks have been completed, if the regulator still fails to perform in a satisfactory manner it should be replaced.

Electrolux Warranty

FOR SALES IN AUSTRALIA AND NEW ZEALAND
 APPLIANCE: BUILT-IN OVEN, COOKTOP
 AND FREESTANDING COOKER

This document sets out the terms and conditions of the product warranties for Electrolux Appliances. It is an important document. Please keep it with your proof of purchase documents in a safe place for future reference should you require service for your Appliance.

1. In this warranty
 - (a) 'acceptable quality' as referred to in clause 10 of this warranty has the same meaning referred to in the ACL;
 - (b) 'ACL' means Trade Practices Amendment (Australian Consumer Law) Act (No.2) 2010;
 - (c) 'Appliance' means any Electrolux product purchased by you accompanied by this document;
 - (d) 'ASC' means Electrolux' authorised serviced centres;
 - (e) 'Electrolux' means Electrolux Home Products Pty Ltd of 163 O'Riordan Street, Mascot, NSW 2020, ABN 51 004 762 341 in respect of Appliances purchased in Australia and Electrolux (NZ) Limited of 3-5 Niall Burgess Road, Mount Wellington, in respect of Appliances purchased in New Zealand;
 - (f) 'major failure' as referred to in clause 10 of this warranty has the same meaning referred to in the ACL and includes a situation when an Appliance cannot be repaired or it is uneconomic for Electrolux, at its discretion, to repair an Appliance during the Warranty Period;
 - (g) 'Warranty Period' means:
 - (i) where the Appliance is used for personal, domestic or household use (i.e. normal single family use) as set out in the instruction manual, the Appliance is warranted against manufacturing defects in Australia for 24 months and in New Zealand for 24 months, following the date of original purchase of the Appliance;
 - (ii) where the Appliance is used for commercial purposes (including being used to directly assist a business or where the Appliance is used in a multi-family communal or share type environment), the Appliance will then be warranted against manufacturing defects in Australia for 3 months and in New Zealand for 3 months, following the date of original purchase of the Appliance.
 - (h) 'you' means the purchaser of the Appliance not having purchased the Appliance for re-sale, and 'your' has a corresponding meaning.
2. This warranty only applies to Appliances purchased and used in Australia or New Zealand and is in addition to (and does not exclude, restrict, or modify in any way) any non-excludable statutory warranties in Australia or New Zealand.
3. During the Warranty Period Electrolux or its ASC will, at no extra charge if your Appliance is readily accessible for service, without special equipment and subject to these terms and conditions, repair or replace any parts which it considers to be defective. Electrolux or its ASC may use remanufactured parts to repair your Appliance. You agree that any replaced Appliances or parts become the property of Electrolux. This warranty does not apply to light globes, batteries, filters or similar perishable parts.
4. Parts and Appliances not supplied by Electrolux are not covered by this warranty.
5. You will bear the cost of transportation, travel and delivery of the Appliance to and from Electrolux or its ASC. If you reside outside of the service area, you will bear the cost of:
 - (a) travel of an authorised representative;
 - (b) transportation and delivery of the Appliance to and from Electrolux or its ASC,

In all instances, unless the Appliance is transported by Electrolux or an Electrolux authorised representative, the Appliance is transported at the owner's cost and risk while in transit to and from Electrolux or its ASC.
6. Proof of purchase is required before you can make a claim under this warranty.
7. You may not make a claim under this warranty unless the defect claimed is due to faulty or defective parts or workmanship. Electrolux is not liable in the following situations (which are not exhaustive):
 - (a) the Appliance is damaged by:
 - (i) accident
 - (ii) misuse or abuse, including failure to properly maintain or service
 - (iii) normal wear and tear
 - (iv) power surges, electrical storm damage or incorrect power supply
 - (v) incomplete or improper installation
 - (vi) incorrect, improper or inappropriate operation
 - (vii) insect or vermin infestation
 - (viii) failure to comply with any additional instructions supplied with the Appliance;
 - (b) the Appliance is modified without authority from Electrolux in writing;
 - (c) the Appliance's serial number or warranty seal has been removed or defaced;
 - (d) the Appliance was serviced or repaired by anyone other than Electrolux, an authorised repairer or ASC.
8. This warranty, the contract to which it relates and the relationship between you and Electrolux are governed by the law applicable where the Appliance was purchased. Where the Appliance was purchased in New Zealand for business purposes the Consumer Guarantee Act does not apply.
9. To the extent permitted by law, Electrolux excludes all warranties and liabilities (other than as contained in this document) including liability for any loss or damage whether direct or indirect arising from your purchase, use or non use of the Appliance.
10. For Appliances and services provided by Electrolux in Australia, the Appliances come with a guarantee by Electrolux that cannot be excluded under the Australian Consumer Law. You are entitled to a replacement or refund for a major failure and for compensation for any other reasonably foreseeable loss or damage. You are also entitled to have the Appliance repaired or replaced if the Appliance fails to be of acceptable quality and the failure does not amount to a major failure. The benefits to you given by this warranty are in addition to your other rights and remedies under a law in relation to the Appliances or services to which the warranty relates.
11. At all times during the Warranty Period, Electrolux shall, at its discretion, determine whether repair, replacement or refund will apply if an Appliance has a valid warranty claim applicable to it.
12. For Appliances and services provided by Electrolux in New Zealand, the Appliances come with a guarantee by Electrolux pursuant to the provisions of the Consumer Guarantees Act, the Sale of Goods Act and the Fair Trading Act.
13. To enquire about claiming under this warranty, please follow these steps:
 - (a) carefully check the operating instructions, user manual and the terms of this warranty;
 - (b) have the model and serial number of the Appliance available;
 - (c) have the proof of purchase (eg an invoice) available;
 - (d) telephone the numbers shown below.
14. You accept that if you make a warranty claim, Electrolux and its ASC may exchange information in relation to you to enable Electrolux to meet its obligations under this warranty.

Important Notice

Before calling for service, please ensure that the steps listed in point 13 above have been followed.

<p>FOR SERVICE or to find the address of your nearest state service centre in Australia PLEASE CALL 13 13 49 For the cost of a local call (Australia only)</p>	<p>SERVICE AUSTRALIA  ELECTROLUX HOME PRODUCTS www.electrolux.com.au</p>	<p>FOR SPARE PARTS or to find the address of your nearest state spare parts centre in Australia PLEASE CALL 13 13 50 For the cost of a local call (Australia only)</p>
<p>FOR SERVICE or to find the address of your nearest authorised service centre in New Zealand FREE CALL 0800 10 66 10 (New Zealand only)</p>	<p>SERVICE NEW ZEALAND  ELECTROLUX HOME PRODUCTS www.electrolux.co.nz</p>	<p>FOR SPARE PARTS or to find the address of your nearest state spare parts centre in New Zealand FREE CALL 0800 10 66 20 (New Zealand only)</p>

GOV_Warr_Apr11

**For more information on all Westinghouse appliances,
or for dimension and installation information, call into your retailer,
phone or email our customer care team or visit our website:**

AUSTRALIA

phone: 1300 363 640
fax: 1800 350 067
email: customercare@electrolux.com.au
web: www.westinghouse.com.au

NEW ZEALAND

phone: 09 573 2384
fax: 0800 363 600
email: customercare@electrolux.co.nz
web: www.westinghouse.co.nz



TOP SERVICE

Top Service encompasses the after sales service provided by The Electrolux Group to consumers including delivery, home service and spare parts.

**Westinghouse. We are part of the Electrolux family.
Share more of our thinking at www.electrolux.com**

P/No. 342 001 568 ECN 11A086C
© 2011 Electrolux Home Products Pty Ltd
ABN 51 004 762 341
Print code: WMAN_540 Upright_Jun11

Free Manuals Download Website

<http://myh66.com>

<http://usermanuals.us>

<http://www.somanuals.com>

<http://www.4manuals.cc>

<http://www.manual-lib.com>

<http://www.404manual.com>

<http://www.luxmanual.com>

<http://aubethermostatmanual.com>

Golf course search by state

<http://golfingnear.com>

Email search by domain

<http://emailbydomain.com>

Auto manuals search

<http://auto.somanuals.com>

TV manuals search

<http://tv.somanuals.com>