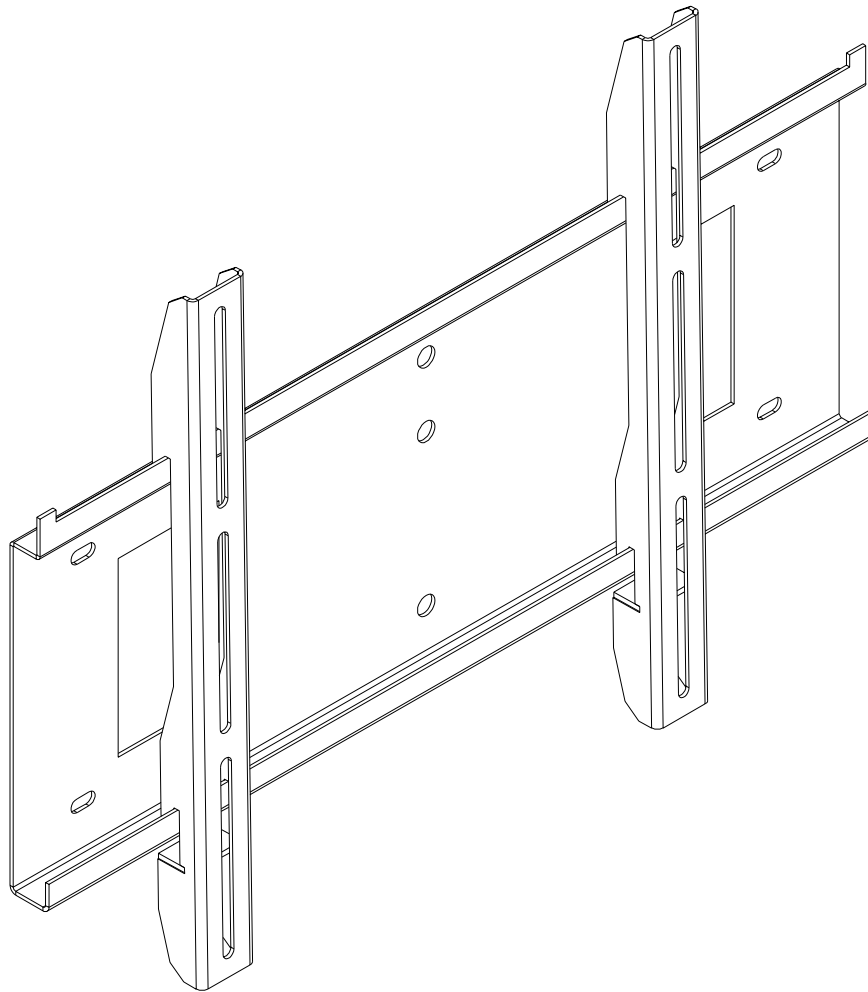




Installation and Assembly: Universal Flat Wall Mount for 22" - 37" Screens

Model: MT80 THIN



Features:

- Universal design for 22" to 37" plasma and LCD screens
- Low-profile design keeps the screen close up against the wall



Max Load Capacity: 80 lb (36.3 kg)

Visit the Westinghouse Web Site at www.westinghousedigital.com

For customer service call 1-866-287-5555.

ISSUED: 03-02-05 SHEET #: 201-9323-1

Note: Read entire instruction sheet before you start installation and assembly.

WARNING

- Do not begin to install your Westinghouse product until you have read and understood the instructions and warnings contained in this Installation Sheet. If you have any questions regarding any of the instructions or warnings, please call Peerless customer service at 1-800-729-0307.
- Make sure that the wall will safely support the combined load of the equipment and all attached hardware and components.
- Never exceed the Maximum Load Capacity of 90 lb (40.8 kg).
- If mounting to wood wall studs, make sure that mounting screws are anchored into the center of the studs. Use of an "edge to edge" stud finder is highly recommended.
- Always use an assistant or mechanical lifting equipment to safely lift and position equipment.
- Tighten screws firmly, but do not overtighten. Overtightening can damage the items, greatly reducing their holding power.

Tools Needed for Assembly

- stud finder ("edge to edge" stud finder is recommended)
- phillips screwdriver
- drill with 1/4" and 5/32" drill bits

Table of Contents

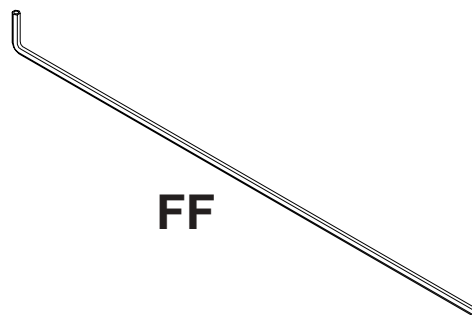
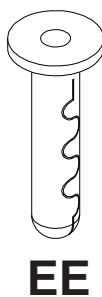
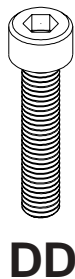
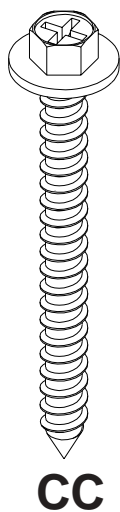
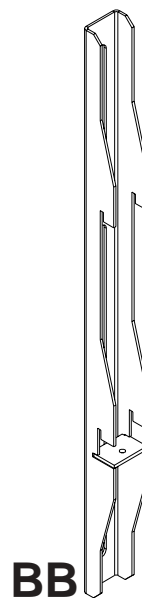
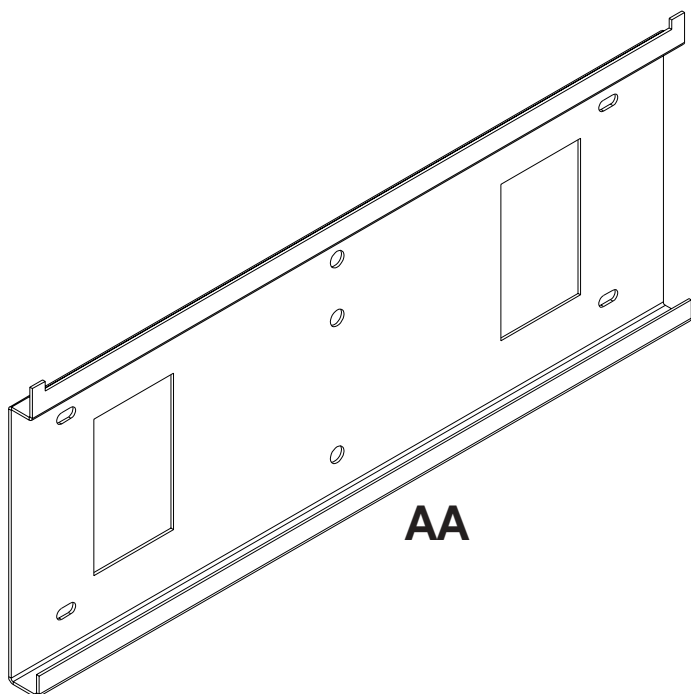
Parts List	3
Installation to Single Wood Stud Wall	4
Installation to Double Wood Stud Wall	5
Installation to Solid Concrete or Cinder Block	6
Installing Flat Panel Screen to Wall Plate	7
Adding Safety to Mount	7

For customer service call (800) 729-0307 or (708) 865-8870.

Before you begin, make sure all parts shown are included with your product.

Parts List

Description	Qty	MT80 THIN Part #
AA wall plate	1	200-4629
BB adapter bracket	2	200-4628
CC #14 x 2.5" wood screw	4	5S1-015-C04
DD M5 x .8 x 25 mm socket head cap screw	2	520-9567
EE Alligator® anchor	4	590-0097
FF 4 mm security allen wrench	1	560-1145



Installation to Single Wood Stud Wall

⚠ WARNING

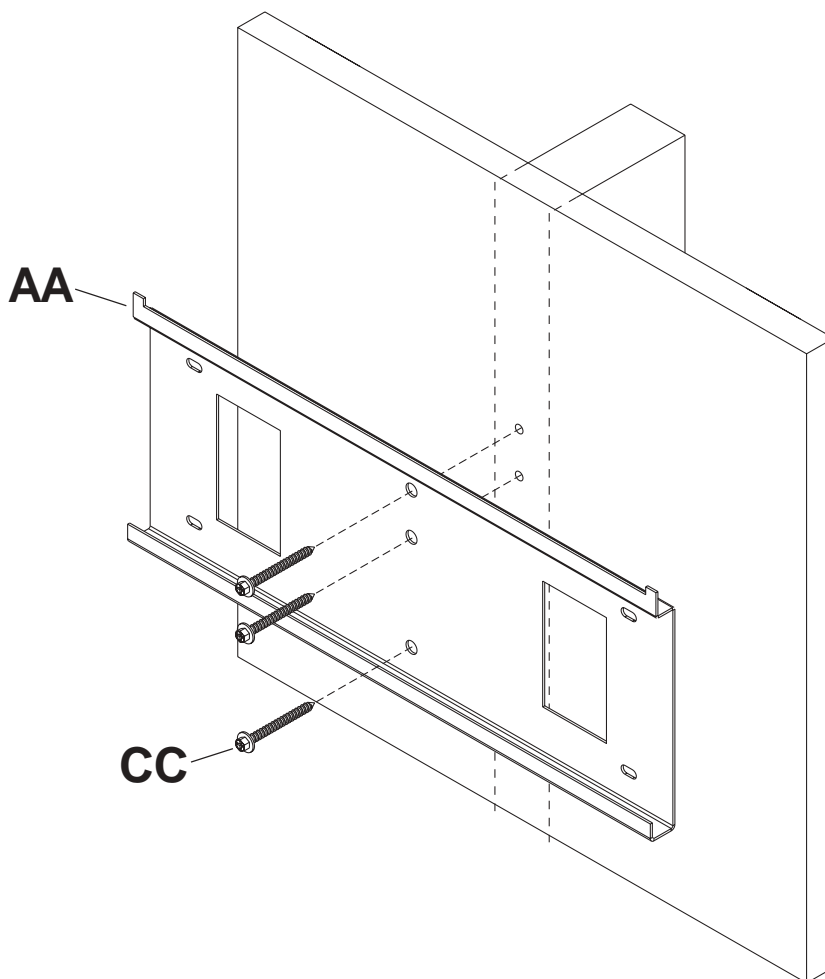
- Installer must verify that the wall will safely support four times the combined weight of all attached equipment and hardware.

- 1 Use stud finder to locate stud centers. Place wall plate (**AA**) on wall as template, level wall plate and mark center of studs with pencil. Drill three 5/32" (4 mm) dia. holes 2-1/2" (65 mm) deep. Attach wall plate (**AA**) using three #14 x 2.5" wood screws (**CC**).

Skip to step 2 on page 7.

⚠ WARNING

- Tighten wood screws so that wall plate is firmly attached, but do not overtighten. Overtightening can damage the screws, greatly reducing their holding power.
- Never tighten in excess of 80 in. • lb (9 N.M.).
- Make sure that mounting screws are anchored into the center of the stud. The use of an "edge to edge" stud finder is highly recommended.
- Hardware provided is for attachment of mount through standard thickness drywall or plaster into wood studs. Installers are responsible to provide hardware for other types of mounting situations.



Installation to Double Wood Stud Wall

⚠ WARNING

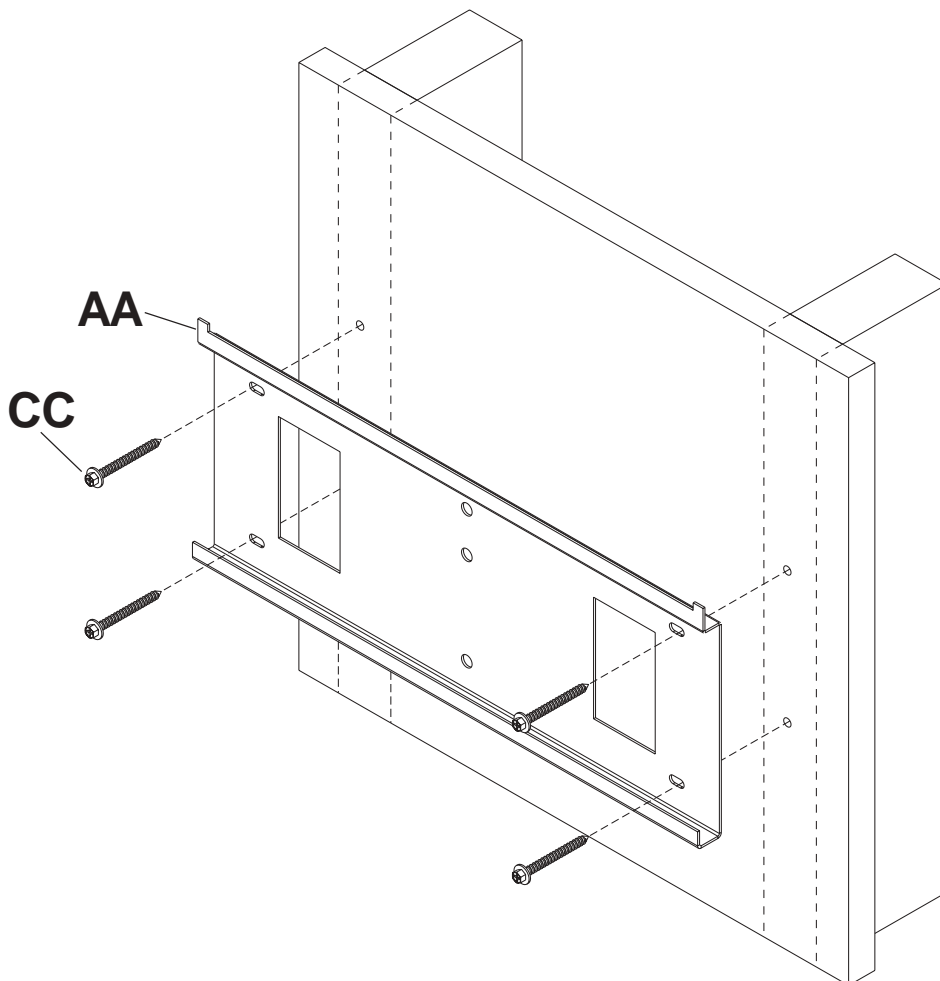
- Installer must verify that the wall will safely support four times the combined weight of all attached equipment and hardware.

- 1 Use stud finder to locate stud centers. Place wall plate (**AA**) on wall as template, level wall plate and mark center of studs with pencil. Drill four 5/32" (4 mm) dia. holes 2-1/2" (65 mm) deep. Attach wall plate (**AA**) using four #14 x 2.5" wood screws (**CC**).

Skip to step 2 on page 7.

⚠ WARNING

- Tighten wood screws so that wall plate is firmly attached, but do not overtighten. Overtightening can damage the screws, greatly reducing their holding power.
- Never tighten in excess of 80 in. • lb (9 N.M.).
- Make sure that mounting screws are anchored into the center of the stud. The use of an "edge to edge" stud finder is highly recommended.
- Hardware provided is for attachment of mount through standard thickness drywall or plaster into wood studs. Installers are responsible to provide hardware for other types of mounting situations.

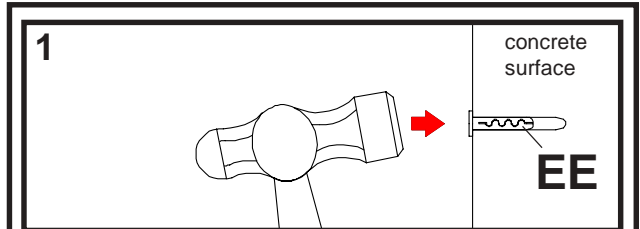


Installation to Solid Concrete or Cinder Block

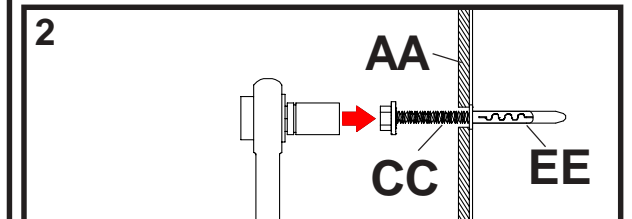
⚠ WARNING

- When installing Westinghouse wall mounts on cinder block, verify that you have a minimum of 1-3/8" of actual concrete thickness in the hole to be used for the concrete anchors. Do not drill into mortar joints! Be sure to mount in a solid part of the block, generally 1" minimum from the side of the block. Cinder block must meet ASTM C-90 specifications. It is suggested that a standard electric drill on slow setting is used to drill the hole instead of a hammer drill to avoid breaking out the back of the hole when entering a void or cavity.
- Concrete must be 2000 psi density minimum. Lighter density concrete may not hold concrete anchor.
- Make sure that the wall will safely support four times the combined load of the equipment and all attached hardware and components.

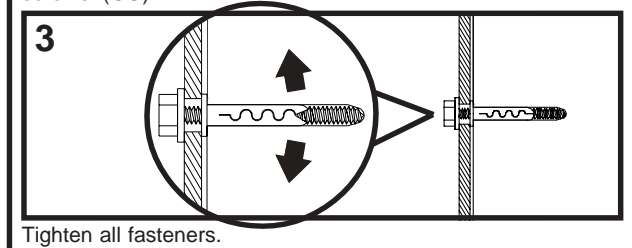
- 1** Use wall plate (AA), making sure that it is level, as a template to mark holes. Drill four 1/4" (6 mm) dia. holes to a minimum depth of 2-1/2" (64 mm). Insert anchors (EE) in holes flush with wall as shown (right). Place wall plate over anchors and secure with #14 x 2.5" screws (CC). Tighten all fasteners.



Drill holes and insert anchors (EE).



Place plate (AA) over anchors (EE) and secure with screws (CC).



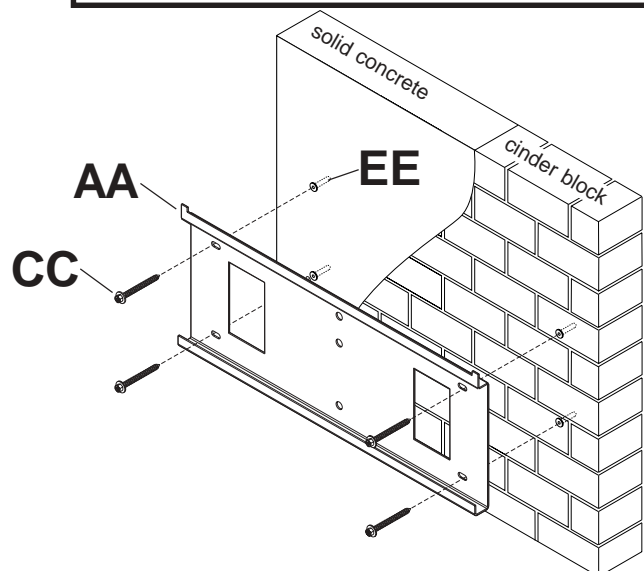
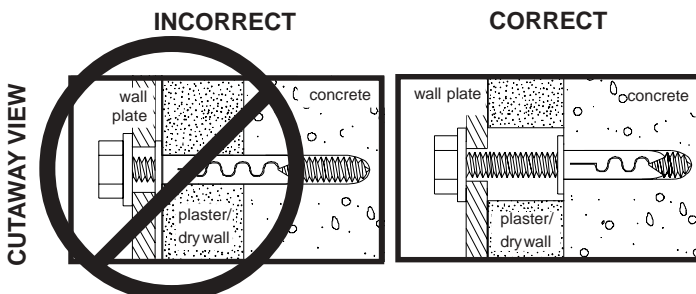
Tighten all fasteners.

⚠ WARNING

- Tighten screws so that wall plate is firmly attached, but do not overtighten. Overtightening can damage screws, greatly reducing their holding power.
- Never tighten in excess of 80 in. • lb (9 N.M.).

⚠ WARNING

- Always attach concrete expansion anchors directly to load-bearing concrete.
- Never attach concrete expansion anchors to concrete covered with plaster, drywall, or other finishing material. If mounting to concrete surfaces covered with a finishing surface is unavoidable, the finishing surface must be counterbored as shown below. If plaster/drywall is thicker than 5/8", custom fasteners must be supplied by installer.



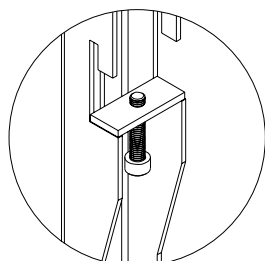
Note: Before starting this step refer to accompanying instruction sheet to install adapter brackets to flat panel screen.

Installing Flat Panel Screen to Wall Plate

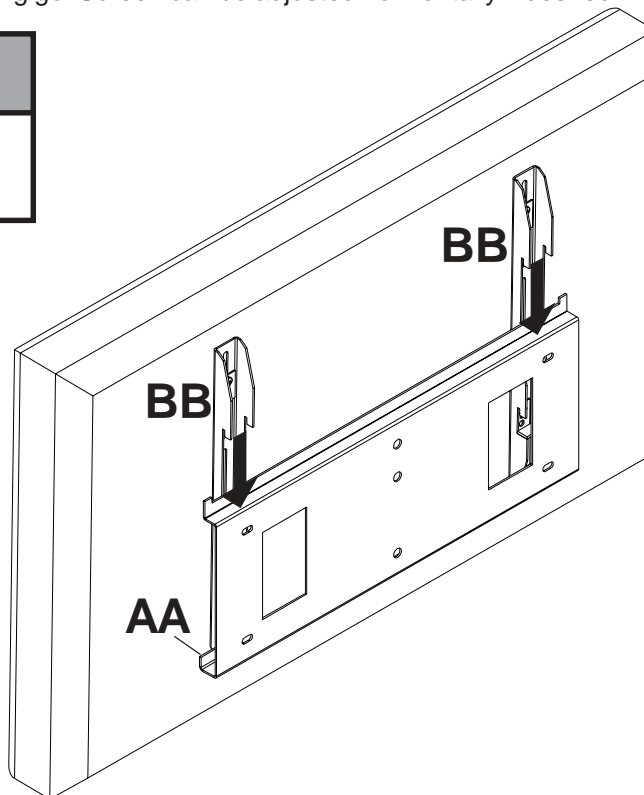
- 2 Insert two M5 x 25 mm socket head cap screws (**DD**) into mounting brackets (**BB**) and tighten a few turns to hold in place as shown in detail 1. Hang screen by the mounting brackets (**BB**) on wall plate (**AA**) as shown below. Make sure screen is safely hooked on mount before letting go. Screen can be adjusted horizontally if desired.

⚠ WARNING

- Always use an assistant or mechanical lifting equipment to safely lift and position the plasma television.

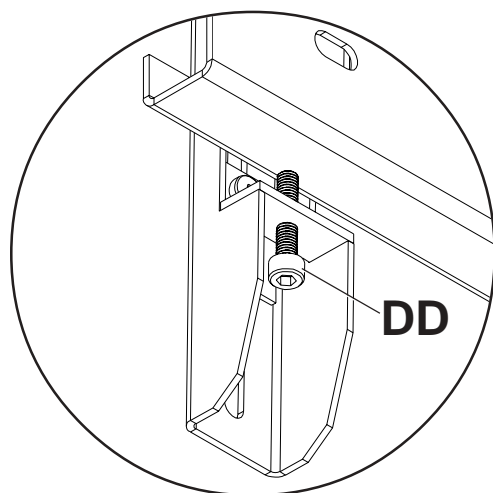


detail 1

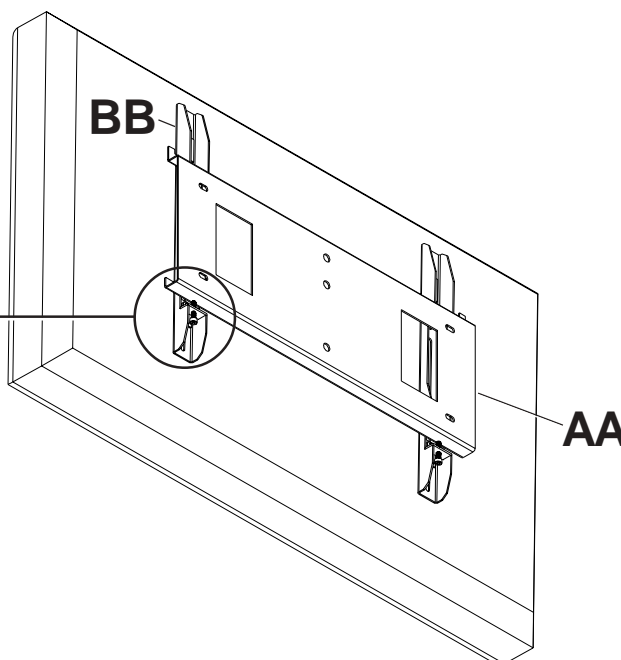


Adding Safety to Mount

- 3 Secure mounting brackets to wall plate (**AA**) with socket head cap screws as shown below and in detail 1. Tighten screws with 4 mm security allen wrench (**FF**).



DETAIL 1





Limited Five-Year Warranty

Westinghouse Digital Electronics warrants to original end-users of this Westinghouse television mounting product (the "Product") that the Product will be free from defects in material and workmanship, under normal use, for a period of five (5) years from the date of purchase by the original end-user, subject to the following terms and conditions:

REPAIR OR REPLACEMENT – For a period of five (5) years from the original date of purchase, Westinghouse Digital Electronics will repair any defect in material or workmanship in the Product, or, at its option, replace a defective Product. Replacement parts and products will be warranted for either the remainder of the original warranty period or ninety (90) days from the date of delivery to the end-user, whichever occurs last.

OBTAINING WARRANTY SERVICE – To obtain warranty services, you must either personally deliver or ship the Product to Westinghouse Digital Electronics, freight prepaid. Please call Westinghouse Digital Electronics at (866) 287-5555 to obtain a Return Merchandise Authorization ("RMA") and for other instructions regarding return and replacement or repair of the Product. Westinghouse Digital Electronics will not accept Products delivered to it without an RMA.

EXCLUSIONS TO WARRANTY – This warranty does not cover damage caused by (a) service or repairs by anyone other than personnel authorized by Westinghouse Digital Electronics, (b) the failure to utilize proper packing when returning the product, (c) improper installation or the failure to follow Product instructions or warnings, or (d) misuse or accident, in transit or otherwise.

PROOF OR ORIGINAL PURCHASE – A sales receipt, invoice, or other proof of purchase specifying the original date of purchase within the five (5) year warranty period must be presented to obtain warranty service. This warranty extends to the original purchaser and is not transferable.

EITHER REPAIR OR REPLACEMENT IS YOUR EXCLUSIVE REMEDY UNDER THIS WARRANTY. EXCEPT TO THE EXTENT PROHIBITED BY LAW, WESTINGHOUSE DIGITAL SHALL NOT BE LIABLE FOR ANY INCIDENTAL OR CONSEQUENTIAL DAMAGES CLAIMED TO ARISE FROM BREACH OF ANY EXPRESS OR IMPLIED WARRANTY ON THIS PRODUCT. ANY IMPLIED WARRANTY OF MERCHANTABILITY OR FITNESS FOR A PARTICULAR PURPOSE ON THIS PRODUCT IS LIMITED IN DURATION AND SCOPE TO THE TERMS OF THIS WARRANTY.

Some States do not allow the exclusion or limitation of incidental or consequential damages, or allow limitations on how long an implied warranty lasts, so the above limitation may not apply to you. This warranty gives specific legal rights, and you may also have other rights which vary from State to State.

Westinghouse Digital Electronics, LLC

16257 East Gale Ave.

City of Industry, California 91745

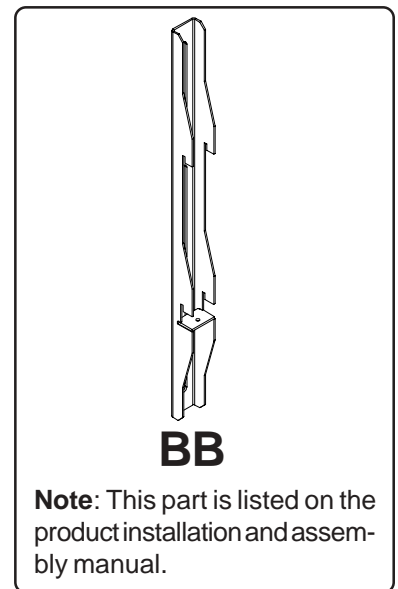
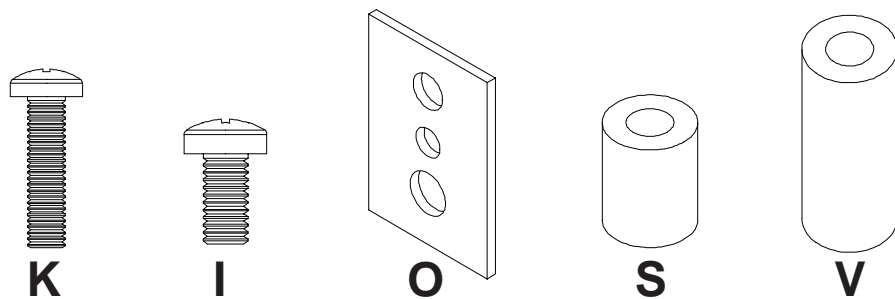
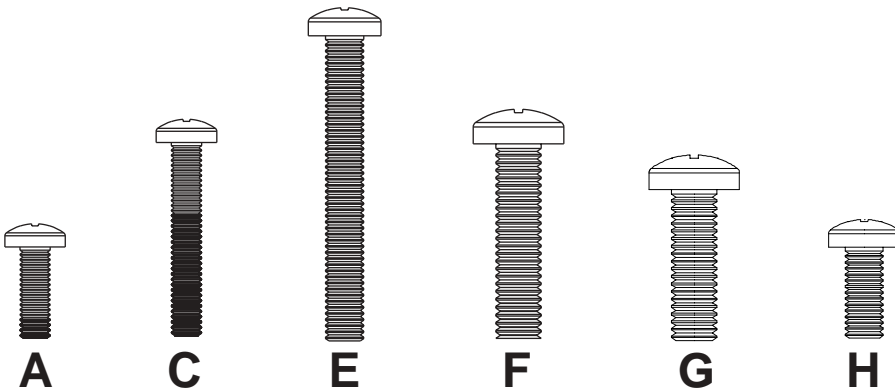
Tel: (626) 333-9677.



Begin with product installation and assembly manual before reading this instruction manual.

Parts List

Description	Qty.	Part #
A M4 x .7 x 12 mm phillips screw	6	504-9013
C M4 x .7 x 25 mm phillips screw	6	504-1015
E M5 x 40 mm pan head phillips screw	4	520-1199
F M6 x 25 mm pan head phillips screw	4	520-1208
G M6 x 1 x 20 mm pan head phillips screw	4	520-9402
H M5 x .8 x 12 mm pan head phillips screw	4	520-1027
I M6 x 1 x 12 mm pan head phillips screw	6	520-1128
K M5 x 25 mm pan head phillips screw	6	520-9543
O multi-washer	6	580-1036
S .25" ID x .5" OD x .625" H nylon spacer	4	590-1106
V .251" ID x .5" OD x 1.25" H aluminum spacer	4	580-1067



To assemble the adapter brackets to your screen, begin with the table on pages 2 and 3. Find the configuration that corresponds to your screen. Refer to the configuration table on page 3 to install the adapter brackets.

Notes: The Universal Flat Wall Mount is a universal mount which accommodates a wide variety of screens. If your particular screen is not listed on pages 2 and 3 or unsure which configuration matches your screen, please contact customer service to ensure product compatibility.

Manufacturer	Screen Size	Manufacturer Model	Config.
LCD Screens			
Akai	22"	LC2260	K
BenQ	30"	DV3070 (DV3080)	A
CTX	23"	H2300	K
Dell	23"	W2300	K
Dell	26"	W2600	A
Dell	30"	W3000	A
Gateway	23"	GTW-L23M102	K
Gateway	26"	GTW-L26M103	A
Gateway	30"	GTW-L30M103	A
Hewlett Packard	23"	f2304	K
IBM	22.2"	T221	K
Image Systems	24"	FP2400MAX	K
JVC	23"	LT23X475	K
JVC	26"	LT26WX84, LT26X575	F
JVC	32"	LT32WX84, LT32X575	F
LG	22"	285LT, 295LM	K
LG	23"	RU-23LZ21, RU-23LZ50C, L2320A, L2323T	K
LG	27"	RU-27LZ50C	A
LG	30"	L3000A	F
LG	30"	L3020T, RU-30LZ50C	A
LG	30"	DU-30LZ30	A
LG	32"	RU-32LZ50C	A
Maxx Products	30"	MAXX 3000	I
Luce	22"	LCTV2201A / GB	K
MAXENT	27"	MX-27X1	A
MAXENT	30"	MX-30X1	A
Mitsubishi	22"	LT-2220, LT-2240	K
Mitsubishi	30"	LT-3020, LT-3040, LT-3050	A
Mitsubishi	30"	MLM300	A
NEC-Mitsubishi	30"	LCD3000	A
Net TV	30"	LCTV-30W	I
Ovideon	27"	LC2700w	A
Ovideon	30"	LC3000W	A
Panasonic	22"	TC-22LH1	K
Panasonic	26"	TC-26LX20	C
Panasonic	32"	TC-32LX20	C
Panasonic	32"	TC32LH1	C
Philips	23"	23FW995/997, 23PF9945	K
Philips	23"	23PF8946, 23PF8946A	K
Philips	23"	23PF9966	K
Philips	26"	26PF9966	A
Philips	30"	30PF9975, 30FW9955, 30FW9975, 30FW995, 30FW997	F
PixelPro	27"	PX-27XP10	A
PixelPro	30"	PX-30XP10	A
Planar	22"	XP22WSA-01	K
Planar	23.1"	WS231	K
Samsung	22"	LTM225W, LTN226W	K
Samsung	24"	Syncmaster 204T, 240T, 243T	K
Samsung	26"	LT-P266W	A
Sceptre	23"	Naga X23S	K
Sceptre	30"	X30SV- Naga III	A
Sharp	26"	LC-26GA4U, LC-26GD4U, LC-26GD6U	A
Sharp	30"	LC-30HV2U, LC-30HV4U, LC-30HV6U	A
Sharp	32"	LC-32G4U, LC-32GD4U, LC-32GD6U	L
Sharp	37"	LC-37HV4U, LC-M3700, LC-37HV6U, LC-37G4U, LC-37GD4U, LC-37GD6U	L
Sony	23"	LMD-230WS	K
Sony	23"	KLV-23HR2, SDM-232W/B	K
Sony	23"	KLV-23M1	K
Sony	26"	KLV-26HG2	A
Sony	30"	KLV-30XBR900, KLV-30XBR950, LDM3000	F

Continued on the following page...

Manufacturer	Screen Size	Manufacturer Model	Config.
Sony	32"	KDL-32XBR950	G
Sony	32"	KLV-32M1	A
Studio Experience	30"	SELCD300	I
Syntax	27"	LT27HV	A
Syntax	30"	LT30HV	A
Tatung	23"	V23CLTT	K
Tatung	27"	V27CMTT	A
Tatung	30"	V30CMTT	A
Toshiba	26"	26HL83	A
Toshiba	26"	26HL84	A
Toshiba	32"	32HL84	A
ToteVision	22"	LCD-2200VT, LCD-2216TD	K
ViewSonic	22.2"	VP2290b	K
ViewSonic	23"	VP230mb	K
Viewsonic	27"	N2700w	I
Viewsonic	30"	N3000w	C
Viewsonic	30"	N3020w	C
Westinghouse	27"	LTV-27w2	A
Westinghouse	27"	W32701	A
Westinghouse	30"	LTV-30w2	C
Westinghouse	30"	W33000, W33001	A
Westinghouse	32"	LTV-32w1	A
Westinghouse	37"	LTV-37w2 HD	A
Westinghouse	37"	LVM-37w1	A
Zenith	23"	L23W36	K
Zenith	27"	L27W46	A
Plasma Screens			
Eiki	32"	PLD-32U	G
Hitachi	32"	32HDT20, 32HDT50, 32HDT55, 32HDT60	B
Hitachi	37"	CMP307SX, CMP307U, CMP307XU	B
Maxx Products	32"	MAXX 3200	I
Monovision	32"	PD3231	I
Philips	32"	32FD9954, 32FW997	F
Philips	37"	37FD9944, 37FD9954/17, 37PF9965	F
Sanyo	32"	PDP-32H1A	G
Sony	32"	KZ-32TS1U, KZ-32TS1, KE-32TS2	H
Studio Experience	32"	SEPD3200, SEPD3231	I

1 Using your screen's configuration letter from the previous table, find the configuration that corresponds to your screen. Refer to the table below to find which fasteners to use when installing the adapter brackets and use the corresponding hole in the multi-washer (O) that matches your screw size as shown in figure 1.

Config.	Screws	Spacer
A	A	no
B	I	no
C	C	S
F	H	no
G	K	S
H	E	V
I	F	S
*K	A	no
**L	I	no

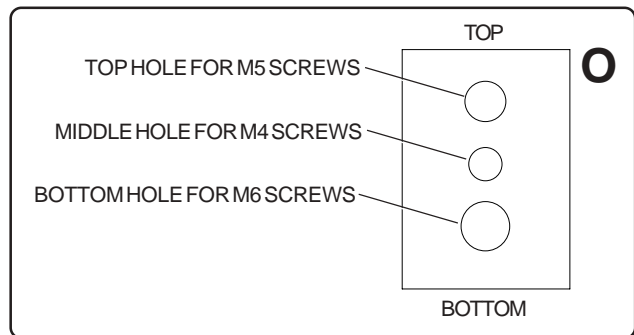


fig. 1

*Note: If screws (A) do not engage with four complete turns, then use screws (C) with spacer (S).

**Note: If screws (I) do not engage with the threads inside the mounting hole then use screws (G). If screws (G) are not long enough then use screws (F).

Installing Adapter Brackets

- 2** To prevent scratching the screen, set a cloth on a flat, level surface that will support the weight of the screen. Place screen face side down. If screen has knobs on the back, remove them to allow the adapter brackets to be attached. Place adapter brackets (**BB**) on back of screen, align to holes, and center on back of screen as shown in figure 2.1. Refer to step 1 to determine the proper fasteners to use. Attach the adapter brackets to the back of the screen using the appropriate combination of screws, multi-washers (**O**), and spacers as shown in figure 2.2. Verify that all holes are properly aligned, and then tighten screws using a phillips screwdriver.

⚠ WARNING

- Tighten screws so adapter brackets are firmly attached. Do not tighten with excessive force. Overtightening can cause stress damage to screws, greatly reducing their holding power and possibly causing screw heads to become detached. Tighten to 40 in. • lb (4.5 N.M.) maximum torque.

Notes:

- The number of fasteners used will vary, depending upon the type of screen.
- Spacers may not be used, depending upon the type of screen.

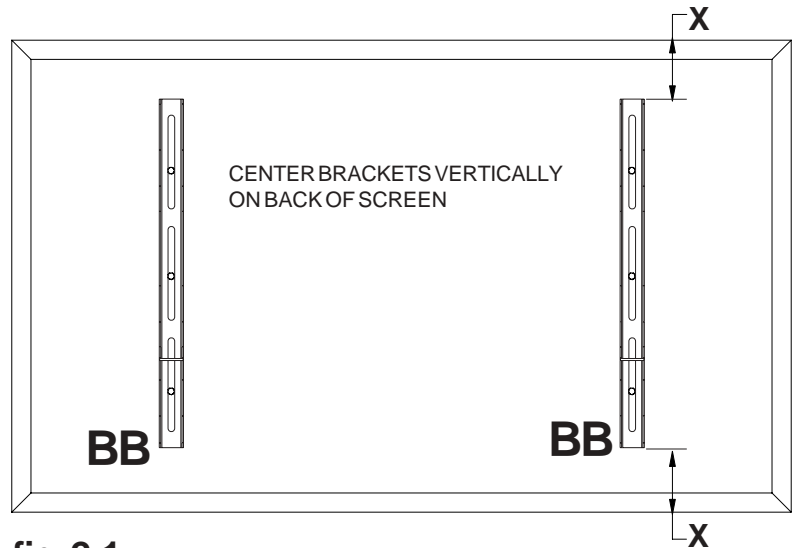


fig 2.1

Note: "X" dimensions should be equal.

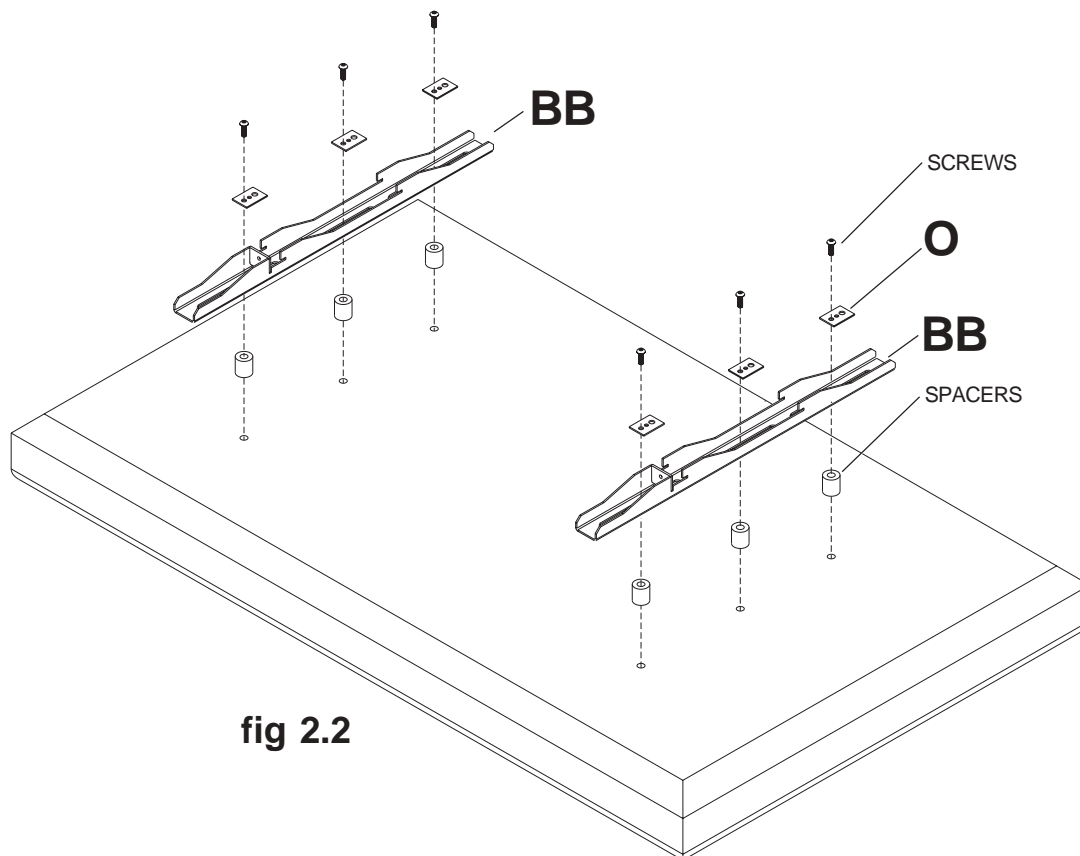


fig 2.2

Free Manuals Download Website

<http://myh66.com>

<http://usermanuals.us>

<http://www.somanuals.com>

<http://www.4manuals.cc>

<http://www.manual-lib.com>

<http://www.404manual.com>

<http://www.luxmanual.com>

<http://aubethermostatmanual.com>

Golf course search by state

<http://golfingnear.com>

Email search by domain

<http://emailbydomain.com>

Auto manuals search

<http://auto.somanuals.com>

TV manuals search

<http://tv.somanuals.com>