



**USER MANUAL**  
*MANUEL DE L'UTILISATEUR*  
*MANUAL DEL USUARIO*

**VR-3215**

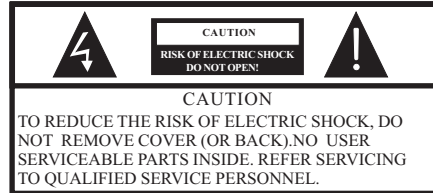
## Contents


Safety and warnings.....	2-3
Introduction.....	4
Stand installation guide.....	5
Installation.....	6-9
Remote Control.....	10
Operation.....	11-14


## SAFETY AND WARNINGS

### IMPORTANT SAFETY INSTRUCTION

- 1) Read these instructions.
- 2) Keep these instructions.
- 3) Heed all warnings.
- 4) Follow all instructions.
- 5) Do not use this apparatus near water.
- 6) Clean only with dry cloth.
- 7) Do not block any ventilation openings, install in accordance with the instructions.
- 8) Do not install near any heat sources such as radiations, heat registers, stoves, or other apparatus (including amplifiers) that produce heat.
- 9) Do not defeat the safety purpose of the polarized plug. If the provided plug does not fit into your outlet, consult an electrician for replacement of the obsolete outlet.
- 10) Protected the power cord from being walked on or pinched particularly at plugs, convenience receptacles, and the point where they exit from the apparatus.
- 11) Only use attachments/accessories specified by the manufacturer.
- 12) Unplug this apparatus during lighting storms or when unused for long periods of time.
- 13) Refer all servicing to qualified service personnel. Servicing is required when the apparatus has been damaged in any way, such as power-supply cord or plug is damaged, liquid has been spilled or objects have fallen into the apparatus, the apparatus has been exposed to rain or moisture, does not operate normally, or has been dropped.
- 14) Mains plug is used as the disconnect device, the disconnect device shall remain readily operable.
- 15) The ventilation should not be impeded by covering the ventilation openings with items, such as newspapers, table-cloth, curtains, etc.
- 16) No naked flame sources, such as lighted candles, should be placed on the apparatus.
- 17) Attention should be drawn to the environmental aspects of battery disposal.
- 18) The use of apparatus in moderate climate.
- 19) The apparatus shall not be exposed to dripping or splashing and that no objects filled with liquids, such as vases, shall be placed on the apparatus.



 The symbol indicates that dangerous voltages constituting a risk of electric shock are present within this unit.

 The symbol indicates that there are important operating and maintenance instructions in the literature accompanying this unit.

#### WARNING:

To reduce the risk of fire or electric shock, do not expose this apparatus to rain or moisture.

#### WARNING:

The batteries shall not be exposed to excessive heat such as sunshine, fire or the like.

#### WARNING:

The excessive sound pressure from earphones and headphones can cause hearing loss.

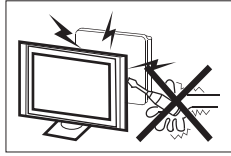


This symbol indicates that this product incorporates double insulation between hazardous mains voltage and user accessible parts. When servicing use only identical replacement parts.

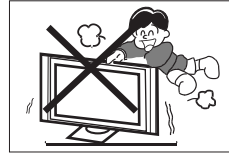


This Westinghouse product has earned the ENERGY STAR® for meeting U.S. Federal energy efficiency guidelines as set by the Department of Energy and Environmental Protection agency. The ENERGY STAR® program exists to provide energy saving guidelines and help promote energy efficient products and practices. Changes to certain features, settings and functions of this TV can change and/or increase its power consumption. Depending on how settings are changed, power consumption may exceed the limits required for ENERGY STAR® qualification.

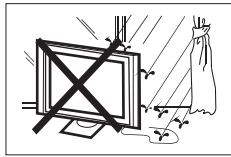
## SAFETY AND WARNINGS



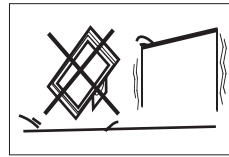
High voltages are used in the operation of this television receiver. Do not open the cabinet. Refer servicing to qualified service personnel.



Never stand on, lean on, or suddenly push the television or its stand. You should pay special attention to children. Serious injury may result if it falls.



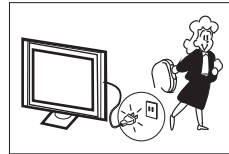
To prevent fire or electrical shock hazard, do not expose the television receiver to rain or moisture.



Do not place your television on an unstable cart, stand, shelf or table. Serious injury to an individual and/or damage to the television may result if it falls.



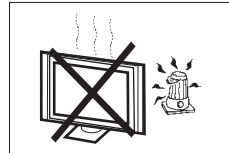
Do not drop or push objects into the television cabinet slots or openings. Never spill any kind of liquid on the television receiver.



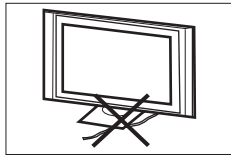
When the television receiver is not used for an extended period of time, it is advisable to disconnect the AC power cord from the AC outlet.



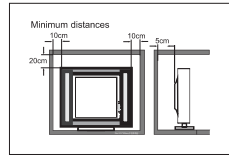
Do not block the ventilation holes on the back cover of the TV. Adequate ventilation is essential to prevent failure of electrical components.



Avoid exposing the television receiver to direct sunlight and other sources of heat. Do not stand the television receiver directly on other products which give off heat, e.g. video cassette players and audio amplifiers. Do not place naked flame sources, such as lighted candles on or near the television.



Do not trap the power supply cord under the television receiver's stand.



If the television is to be built into a compartment or similar enclosure, the minimum distances must be maintained. Heat build-up can reduce the life of your television, and can also be dangerous.

**Main features**

- Integrated ATSC TV tuner for HDTV broadcast reception
- High brightness provides a vivid and brilliant picture
- Deeper blacks and brighter whites with high contrast
- Wide Screen aspect ratio (16:9) for a complete home theater experience
- HDMI input for true digital connection
- VGA port for connection to PC
- Built-in stereo speaker system
- Full-function Remote Control

**Accessories**

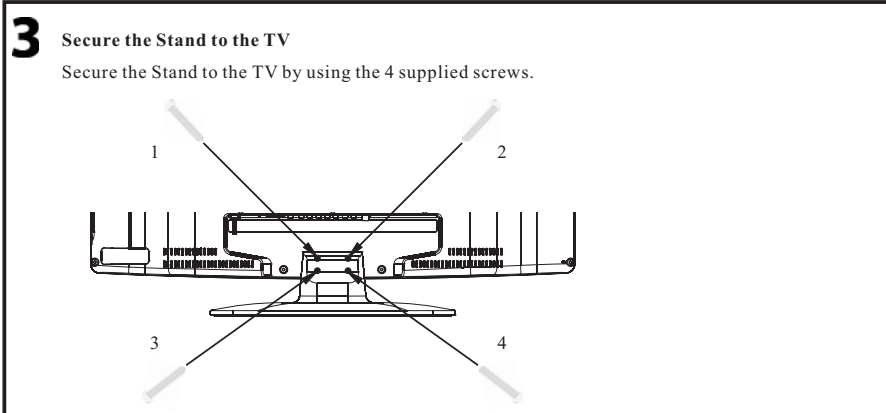
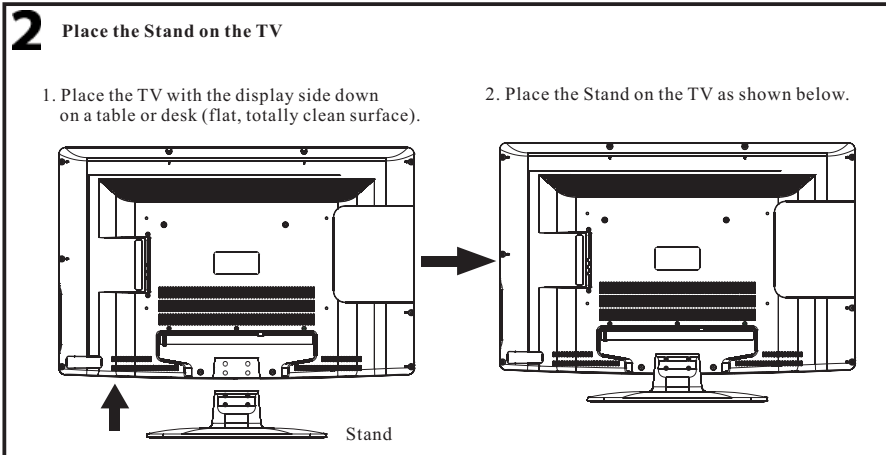
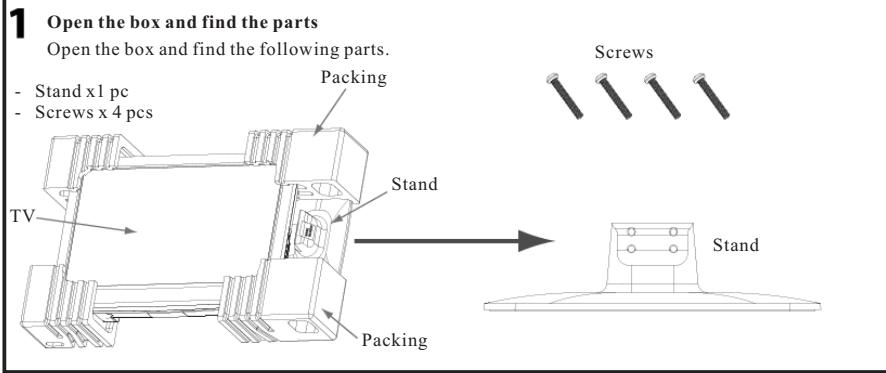
Power Cable.....	1
Infrared Remote Control.....	1
User's Manual .....	1
Battery(AAA).....	2

**Main parameter**

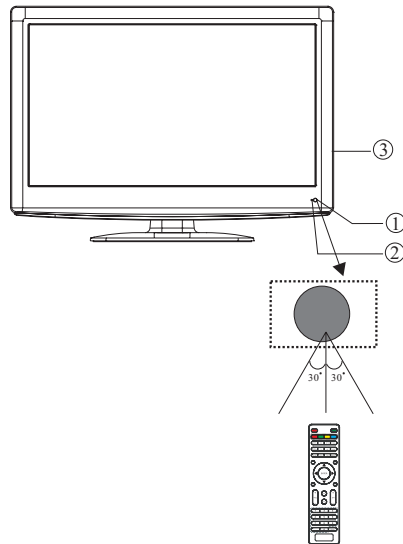
Viewing Picture Size (diagonal)	32 inches
Resolution:	1366x768
Power consumption:	120W
Audio Output Power (THD ≤ 7%):	2x8W
Input Power Voltage:	AC 100V-240V 50/60Hz
Aspect Ratio:	16:9
TV System:	ATSC Digital system and NTSC Analog system
Video Signal System:	NTSC
Receiving Channel:	Cable :1-135/ Air: 2-69 (ATV&DTV)
High-Definition Multimedia Interface (HDMI) Input	x 2
YCb(Pb)Cr(Pr) Input	x 1
Composite Video Input	x 2
Analog RGB (VGA) Input	x 1
Audio Input	x 3
Headphone Output	x 1
Coaxial Output	x 1
USB Input	x 1
Horizontal definition (TV line)	Composite Video Input >=350 Video Input >=400 YCb(Pb)Cr(Pr) >=400

### STAND INSTALLATION GUIDE

This STAND INSTALLATION GUIDE is provided to help you easily install the stand. Please carefully follow Step 1 through Step 3.

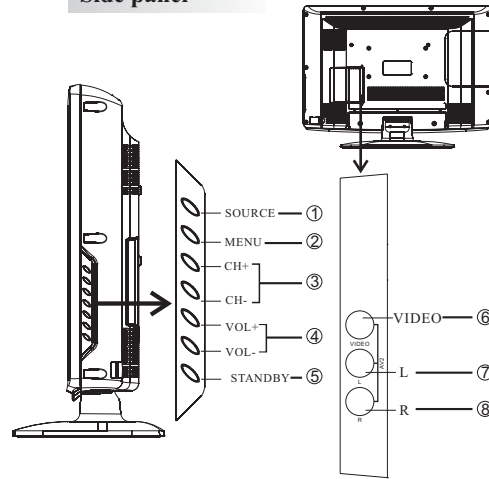


Front panel



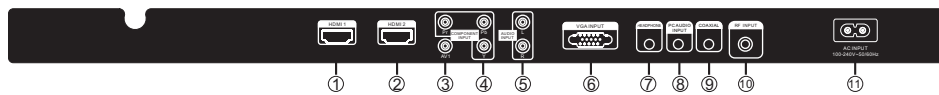
- 1: Remote control sensor.
- 2: Indicator LED: GREEN ● POWER ON.  
RED ● STANDBY.
- 3: Side panel keys

Side panel



- 1. **SOURCE:** Display the input source menu.
- 2. **MENU:** Display main MENU.
- 3. **CH+/CH-:** In TV mode, press "CH+" or "CH-" to change the channel up and down. In MENU mode, press "CH+" or "CH-" to select items in standby mode, press "CH+" or "CH-" to turn on the TV.
- 4. **VOL+/VOL-:** Adjust sound level. In MENU mode, press "VOL+ " or "VOL- " to adjust the item that you selected.
- 5. **STANDBY:** Press this button to turn the unit ON from STANDBY mode. Press it again to turn the set back to STANDBY.
- 6. **VIDEO INPUT**
- 7. **AUDIO INPUT-L**
- 8. **AUDIO INPUT-R**

REAR AV INPUT/OUTPUT



- 1. HDMI1 Input
- 2. HDMI2 Input
- 3. Composite Video Input
- 4. Component Video (YPbPr) Input
- 5. Audio Input
- 6. VGA Port (PC Input)
- 7. Headphone Output
- 8. PC Audio Input
- 9. Coaxial
- 10. Antenna Socket
- 11. AC Power Socket

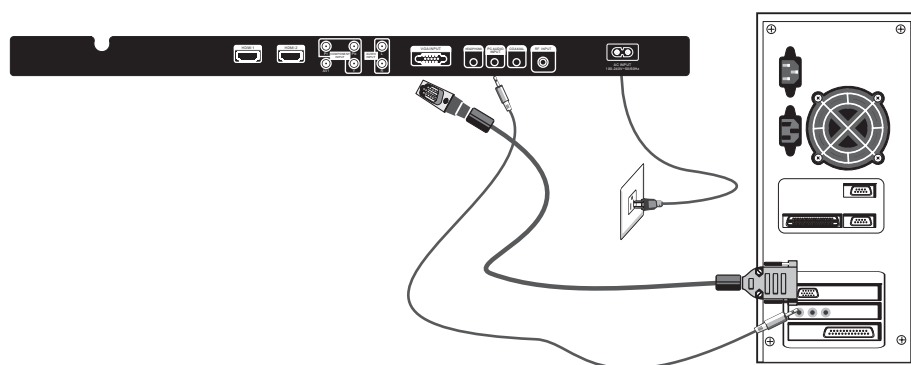
Note: 1. Composite video input and component video input share the audio input.  
 2. When HDMI1 has an input signal coming from a DVI source then the audio input signal must be connected to the PC audio input.  
 3. When HDMI2 has an input signal coming from a DVI source then the audio input signal must be connected to the YPbPr/AV audio input.

**PC**

**STEPS:**

Be sure both the TV and computer are powered off.

1. Connect a VGA and audio cable.
2. Connect the power cord.
3. Turn on the TV and switch to VGA mode.
4. Turn on the PC.

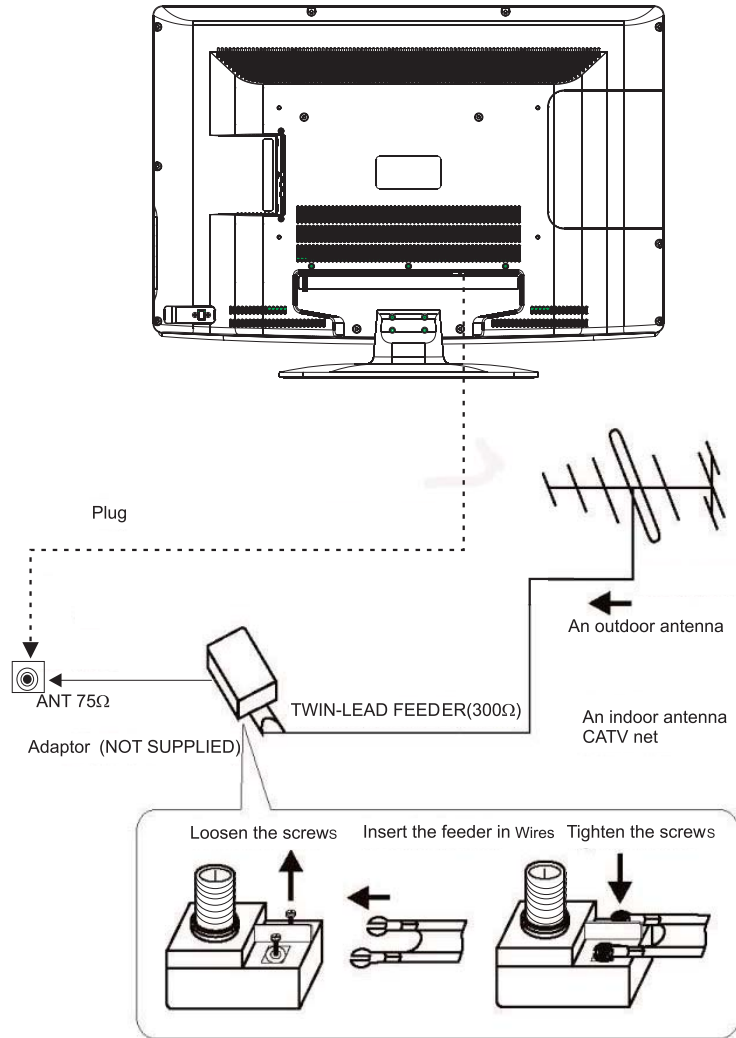


**PRESET MODE**

	<b>RESOLUTION</b>	<b>V.Freq.(Hz)</b>	<b>H.Freq.(KHz)</b>
1	720*400	70	31.47
2	640*480	60	31.47
3	640*480	75	37.50
4	800*600	60	37.88
5	800*600	75	46.88
6	1024*768	60	48.36
7	1024*768	70	56.48
8	1024*768	75	60.02
9	1280*1024	60	63.98
10	1280*1024	75	80.00
11	1366*768	75	80.00



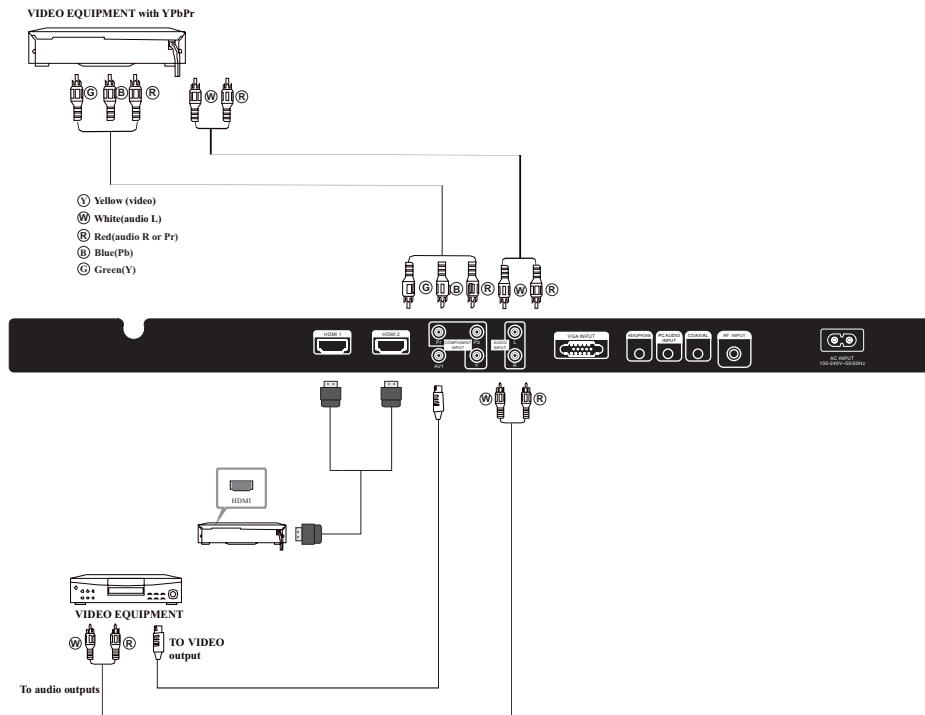
ANTENNA



Note:  
Aerial connections: IEC (female).  
Input impedance: 75Ω unbalanced.

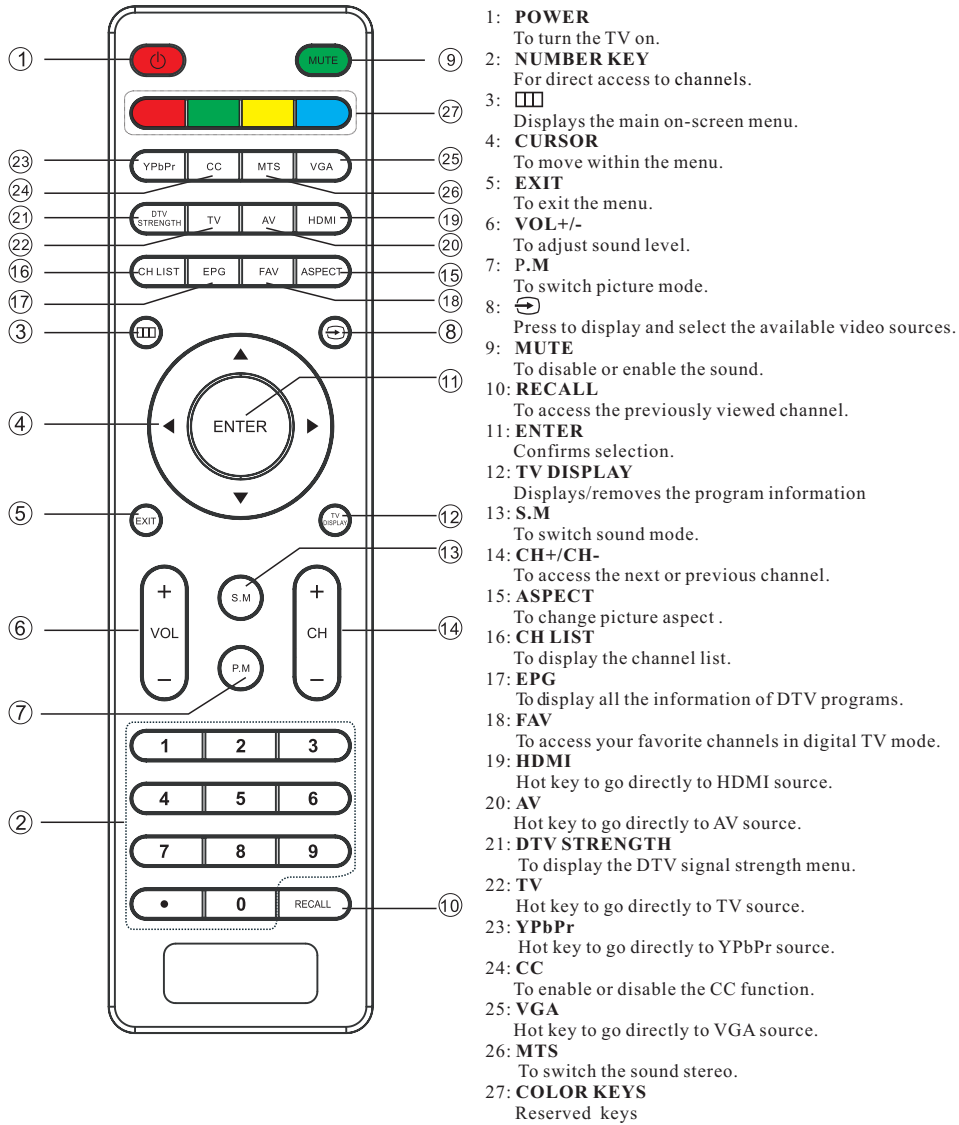
**AV EQUIPMENT**

There are two HDMI ports located on the back of your TV. You can connect a Blu-ray player, DVD player, or other video equipment through these ports.  
 There is one component (Y, Pb, Pr) and two composite (AV) video input located on the back of your TV. You can connect a VCR, cable box, or other video equipment to these jacks.  
 Please see the diagram below. You may also need to refer to the owner's manual of the device that you are trying to connect.



The television's inputs can be connected to the following types of equipment: VCR, multi disc player, DVD, camcorder, video game or stereo system, etc.....  
 There is a composite (AV) video input . You can use this AV input to conveniently connect devices that you may frequently connect and disconnect, such as a camcorder.

## REMOTE CONTROL



### 1. PICTURE MENU

The first item of the MENU is PICTURE MENU. You can adjust picture effect here, such as contrast, brightness, etc. Press ▼▲ to select, press ◀▶ to adjust, press MENU to exit.



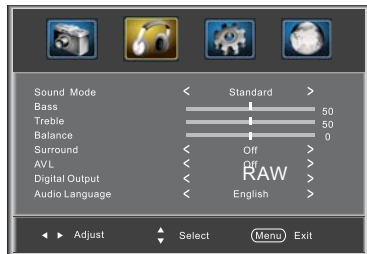
**Note:**  
If you want to adjust contrast, brightness, color, and sharpness, the picture mode must return to "Custom" status.

**Advanced Video:**  
Press ▼▲ button to select Advanced Video, press ▶ button, the screen will display as follow:



### 2. AUDIO menu

The second item of the MENU is AUDIO MENU. You can adjust sound here. Press ▼▲ to select, press ◀▶ to adjust, press MENU to exit.



**Note:**  
Audio language is available in ATSC/TV Programming only.

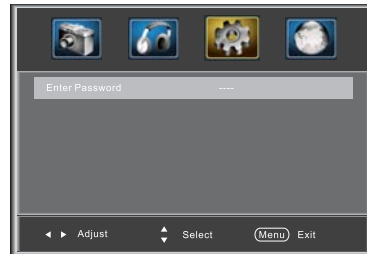
### 3. SETUP MENU

The third item of the MENU is SETUP MENU. You can setup system here. Press ▼▲ to select, press ◀▶ to adjust, press MENU to exit.

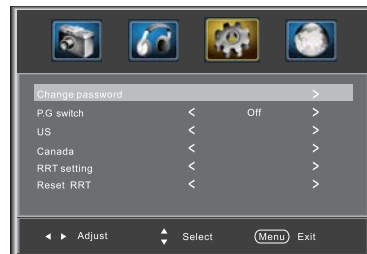


**Note:**  
Restore Default: Reset all the settings to default value.

**3.1. Parental Controls:**  
Press ▼▲ button to select Parental Controls, Press ▶ button, the screen will display as follow:



Enter the password, it will go into Parental Control menu. Factory default password is 6666.



**Change Password:**

Press ► button, the screen will display as follow:

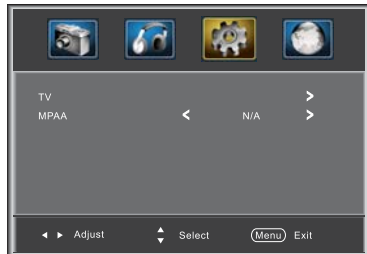


- 1).Old password: Input the old password
- 2).New password: Input the new password
- 3).Confirm password: Input the new password again

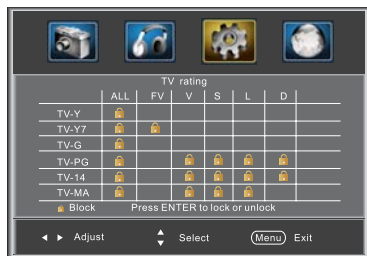
**P.G Switching:**

When the Parental Control switch is ON, the below options listed below can be adjusted.

US: Press ► button, the screen will display as follow:



- 1):TV: Press ►button, the screen will display as follows:



Rating	Content	Content				
		FV (Fantasy violence)	V (Violence)	S (Sexual situation)	L (Adult language)	D (Sexually suggestive dialog)
Suggested age	TV-Y (All children)					
	TV-Y7(Direct to order children)	X				
	TV-G(General audience)					
	TV-PG(Parental Guidance suggested)		X	X	X	X
	TV-14(Parents strongly cautioned)		X	X	X	X
TV-MA(Mature audience only)		X	X	X		

And use the ENTER key to switch lock/ unlock Parental Control feature.

- 2).MPAA: Switching the movie-rating control level; N/A, G, PG, PG-13, R, NC-17, X.

Rating	Description
G	General audiences, All Ages admitted
PG	Parental Guidance suggested. Some material may not be Suitable for children.
PG-13	Parents strongly cautioned. Some material .may be Inappropriate for children under 13.
R	Restrict. Under 17 requires accompanying parent or adult guardian(age varies in some jurisdictions)
NC-17	No one 17 and under admitted.
X	X is an order rating that is unified with NC-17 but may be encoded in the data of order movies.

Canada: Press ► button, the screen will be displayed as follow:



- 1): Canada English: Switching the English rating control level: EXEMPT, C, C8+, G, PG, 14+, 18+.

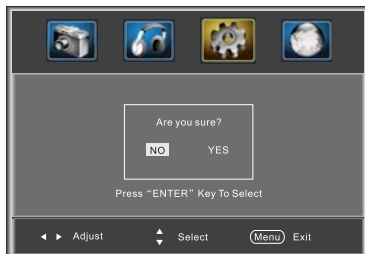
Rating	Description
E	Exempt: Includes news, sports, documents and other information programming; talk shows, music videos, and variety programming.
C	Children: Intended for younger children under the age of 8 years. Pays careful attention to themes that could threaten their sense of security and well-being.
C8+	Children over 8 years old: Contains no portrayal of violence as the preferred, acceptable, or only way to resolve conflict; nor encourage children to imitate dangerous acts which they may see on the screen.
G	General: Considered acceptable for all age groups. Appropriate viewing for the entire family, contains very little violence, physical, verbal or emotional.
PG	Parental Guidance: Intended for a general audience, but may not be suitable for younger children (under the age of 8) because it could contain controversial themes or issues.
14+	Over 14 Years: Could contain themes where violence is one of the dominant elements of the storyline. But it must be integral to the development of plot or character. Language usage could be profane and nudity, present within the context of theme.
18+	Adults: Intended for viewers 18 years and older and might contain depictions of violence, which while related to the development of plot, character or themes, are intended for adult viewing. Could contain graphic language and portrayals of secretary and nudity.

2).Canada French: Switching the French-rating control level: E, G, 8ANS+, 13 ANS+, 16ANS+, 18ANS+.

Rating	Description
E	Exempt programming
G	General: All ages and children, contains minimal direct violence, but may be integrated into the plot in a humorous or unrealistic manner.
8ans+	General but inadvisable for young children: May be viewed by a wide public audience, but could contain scenes disturbing to children under 8 who cannot distinguish between imaginary and real situations. Recommended for viewing with paren.
13ans+	Over 13 years: Could contain scenes of frequent violent scenes and in tense violence.
16ans+	Over 16 years: Could contain frequent violent scenes and violence.
18ans+	Over 18 years: Only for adult viewing. Could contain frequent violent scenes and extreme violence.

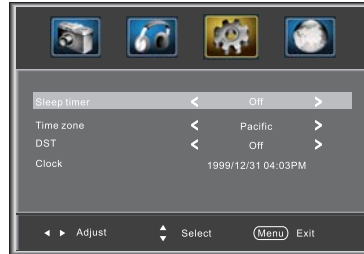
RRT setting: in ATSC digital TV mode, it can be adjusted

Reset RRT: Press **▶** button, the screen will be displayed as follow:



### 3.2 Timer

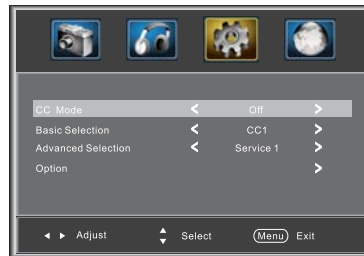
You can adjust the timer here. Press **▼▲** to select, press **◀▶** to adjust, press MENU to exit.



Sleep Timer: Adjust this item to set the sleep timer. Note: Time zone, DST and the clock are available in ATSC programming only, and the Clock can't be adjust.

### 3.3 Closed Caption: Switching close caption mode.

Press **▼▲** button to select Closed Caption, Press **▶** button, the screen will display as follow:



1):Advanced selection: only ATSC program is available.

2):Option: Used to edit CC font.

Press **▶** button, the screen will display as follow:



NOTE: Only ATSC program is available.

### 3.4 Menu Settings

You can adjust the Menu Settings here.  
Press ▼▲ to select, press ◀▶ to adjust, press MENU to exit.



### 3.5 VGA Settings: When PC Mode is available.

Press ▼▲ button to select VGA Settings, Press ▶ button, the screen will display as follow:



- 1).H-Pos: Adjust the horizontal position of the screen.
- 2).V-Pos: Adjust the vertical position of the screen.
- 3).Clock: Fine tune the screen width.
- 4).Phase: Fine tune the phase of the screen. Usually don't adjust this item.
- 5).Auto: Auto adjust to fit the screen.

### 4. Channel MENU

The fourth item of the MENU is Channel MENU.  
You can adjust digital and analog TV Channels.  
Press ▼▲ to select, press ◀▶ to adjust.



- 1). Air/Cable: select Air TV signal and cable TV signal.
- 2). Auto Scan: If it's the first time you use the TV, you should scan all the TV channels first, press the ▶ button to confirm, you will see the menu:



select "yes" item and press the ENTER button to confirm, You will see the message below which indicates auto search is in process.



- 3). Favorite: Press ◀▶ button to choose/delete the favorite channel .
- 4). Show/Hide: Press ◀▶ button to display or hide current channel.
- 5). Channel NO. :Display the current channel number.
- 6). Channel label: Press ▲▼ button to edit current channel name.
- 7). DTV signal: Display DTV strength signal. It can't be selected and adjusted.



[www.westinghousedigital.com](http://www.westinghousedigital.com)

┌  
S/N: \_\_\_\_\_  
└

Westinghouse Digital, LLC  
Orange, CA

SE-UM-3209-0101



## Free Manuals Download Website

<http://myh66.com>

<http://usermanuals.us>

<http://www.somanuals.com>

<http://www.4manuals.cc>

<http://www.manual-lib.com>

<http://www.404manual.com>

<http://www.luxmanual.com>

<http://aubethermostatmanual.com>

Golf course search by state

<http://golfingnear.com>

Email search by domain

<http://emailbydomain.com>

Auto manuals search

<http://auto.somanuals.com>

TV manuals search

<http://tv.somanuals.com>