

# Super Cardioid Dynamic Microphone

## DM4.0 & DM4.0S

### FEATURES

- + Frequency response tailored for voice for clear vocal reproduction
- + Uniform super-cardioid pickup pattern isolates the main sound source and minimizes background noise
- + Features high output, fast transients and clean articulation
- + Dent resistant spring steel grille
- + Low handling noise

### APPLICATIONS

- + **Live Stage**  
Clubs  
Houses of Worship  
Corporate  
Presentations  
Karaoke
- + **Instruments**  
Electric guitar amplifiers  
drums, horns, percussion
- + **Home Studio**  
All vocal and instrument applications

The DM4.0 and DM4.0S are available either as a single mic, or as a pack of three microphones. The single pack contains one microphone with stand adaptor as well as a 4.5 meter XLR-XLR cable. The pack of microphones is supplied in a hard wearing carry case and contains three microphones with stand adaptors and screws.

*\*Also available are the DM2.0 & 2.0S,  
DM3.0 & 3.0S and DM5.0 & 5.0S!*

  
Wharfedale  
Pro

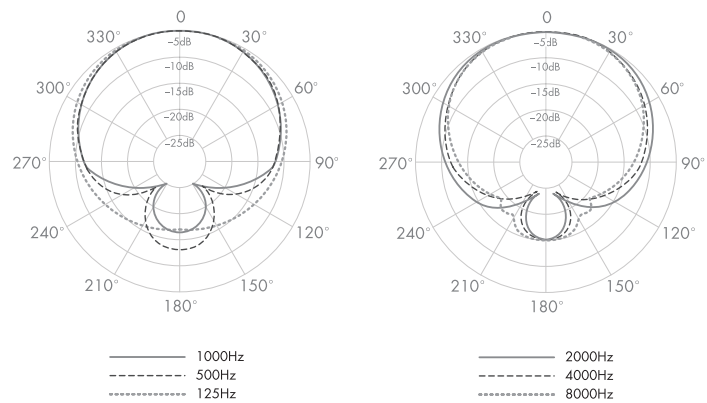
## OVERVIEW

The DM4.0 is a dynamic moving coil microphone designed to handle a wide variety of vocal and instrument applications for both live sound and recording. This microphone is also available with an integral on/off switch (model DM4.0S). Characteristics of the DM4.0, such as a tight super-cardioid pickup pattern with a frequency response of 45Hz – 18kHz, slight bass proximity and mid range presence result in a warm and natural sounding response for every application. The DM4.0 is engineered to handle very high source levels without distortion and provides over 36dB of off axis feedback rejection.

Low impedance and balanced output allow for interference free performance. The DM4.0 is built solidly with a cast alloy body, steel mesh grille ball and internal pop screen.

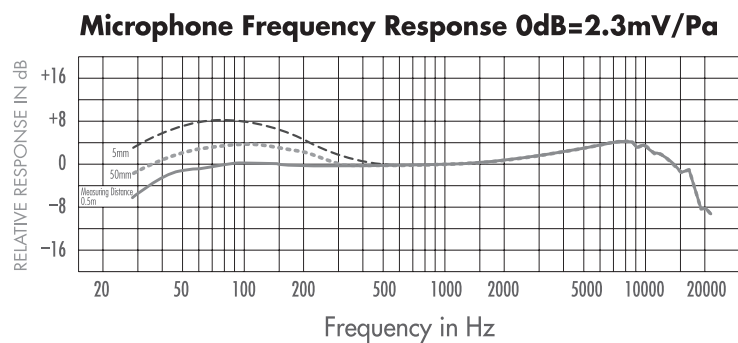
## POLAR CHARTS

The frequency response curve shown above (measuring response at +3dB) and polar pattern correspond to typical production run specifications for this microphone.



## SPECIFICATIONS

|                            |   |
|----------------------------|---|
| <b>Transducer Type:</b>    | Dynamic   |
| <b>Frequency Response:</b> | 45Hz–18KHz  |
| <b>Polar Pattern:</b>      | Super-cardioid  |
| <b>Output Impedance:</b>   | 250ohms   |
| <b>Sensitivity:</b>        | -53dB (0dB=1V/Pa)   |
| <b>Off-axis rejection:</b> | >26dB at 125o   |
| <b>Maximum SPL:</b>        | >136dB  |
| <b>Cable/Connector:</b>    | 3 pin gold plated male XLR  |
| <b>Polarity:</b>           | Positive voltage on pin 2 relative to pin 3 of output XLR connector |
| <b>Housing:</b>            | Zinc alloy  |
| <b>Weight:</b>             | 330 grams/11.75 oz.   |



[www.wharfedalepro.com](http://www.wharfedalepro.com)

IAG House, Sovereign Court, Ermine Business Park, Huntingdon, Cambs P E29 6XU England  
Tel: +44(0)1480 447700 Fax: +44 (0)1480 431767

The information in this brochure is subject to change without notice. All rights reserved. © 2006 Wharfedale Pro. Wharfedale Pro is a member of the International Audio Group.

## Free Manuals Download Website

<http://myh66.com>

<http://usermanuals.us>

<http://www.somanuals.com>

<http://www.4manuals.cc>

<http://www.manual-lib.com>

<http://www.404manual.com>

<http://www.luxmanual.com>

<http://aubethermostatmanual.com>

Golf course search by state

<http://golfingnear.com>

Email search by domain

<http://emailbydomain.com>

Auto manuals search

<http://auto.somanuals.com>

TV manuals search

<http://tv.somanuals.com>