



AIR PURIFIER

Use & Care Guide

For questions about features, operation/performance, parts, accessories or service call: **1-800-253-1301** or visit our website at... www.whirlpool.com

PURIFICADOR DE AIRE

Manual de uso y cuidado

Si tiene preguntas respecto a las características, funcionamiento, rendimiento, partes, accesorios o servicio técnico, llame al: **1-800-253-1301** o visite nuestro sitio web en... www.whirlpool.com

Table of Contents/Índice	2
--------------------------------	---

TABLE OF CONTENTS

AIR PURIFIER SAFETY	3	Filter Replacement	5
INSTALLATION REQUIREMENTS	3	TROUBLESHOOTING	5
Electrical Requirements	3	ASSISTANCE OR SERVICE	5
Location Requirements	4	In the U.S.A.	5
AIR PURIFIER USE	4	Replacement Filters.....	5
Starting/Stopping Your Air Purifier	4	Quiet 30-Day Money-Back Guarantee	5
AIR PURIFIER CARE	4	WARRANTY	6
Cleaning.....	4		

ÍNDICE

SEGURIDAD DEL PURIFICADOR DE AIRE	7	Reemplazo del filtro.....	9
REQUISITOS DE INSTALACIÓN	8	SOLUCIÓN DE PROBLEMAS	9
Requisitos eléctricos	8	AYUDA O SERVICIO TÉCNICO	10
Requisitos de ubicación.....	8	En los EE.UU.	10
CÓMO FUNCIONA EL PURIFICADOR DE AIRE	8	Filtros de repuesto	10
Cómo poner en marcha/detener su purificador de aire	8	Garantía de silencio de 30 días o el reembolso de su dinero ...	10
CUIDADO DEL PURIFICADOR DE AIRE	9	GARANTÍA	11
Limpieza	9		



This product earned the ENERGY STAR by meeting strict energy efficiency guidelines set by the U.S. EPA. U.S. EPA does not endorse any manufacturer claims of healthier indoor air from the use of this product.

The energy efficiency of this ENERGY STAR qualified model is measured based on a ratio between the model's CADR for dust and the electrical energy it consumes, or CADR/Watt.



TODO LO QUE IMAGINAS®

AIR PURIFIER SAFETY

Your safety and the safety of others are very important.

We have provided many important safety messages in this manual and on your appliance. Always read and obey all safety messages.



This is the safety alert symbol.

This symbol alerts you to potential hazards that can kill or hurt you and others.

All safety messages will follow the safety alert symbol and either the word "DANGER" or "WARNING." These words mean:

⚠ DANGER

You can be killed or seriously injured if you don't immediately follow instructions.

⚠ WARNING

You can be killed or seriously injured if you don't follow instructions.

All safety messages will tell you what the potential hazard is, tell you how to reduce the chance of injury, and tell you what can happen if the instructions are not followed.

IMPORTANT SAFETY INSTRUCTIONS

WARNING: To Reduce The Risk Of Fire or Electrical Shock, Do Not Use The Air Purifier With Any Solid-State Speed Control Device.

WARNING: To Reduce The Risk Of Fire Or Electrical Shock And Injury To Persons, Do Not Use In A Window.

Unplug air purifier before servicing.

READ AND SAVE THESE INSTRUCTIONS

INSTALLATION REQUIREMENTS

Electrical Requirements

⚠ WARNING



Electrical Shock Hazard

Plug into a grounded 3 prong outlet.

Do not remove ground prong.

Do not use an adapter.

Do not use an extension cord.

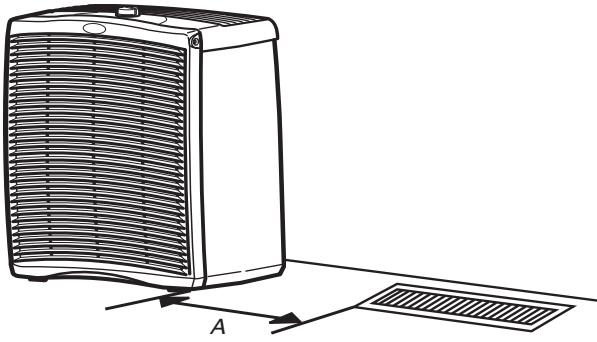
Failure to follow these instructions can result in death, fire, or electrical shock.

Electrical Connection

To properly install your air purifier, you must determine the type of electrical connection you will be using and follow the instructions provided for it here.

- The air purifier should be connected to a 115 V, 60 Hz, 15- or 20-amp fused 3 prong grounded outlet.
- The use of a time-delay fuse or time-delay circuit breaker is recommended.

Location Requirements



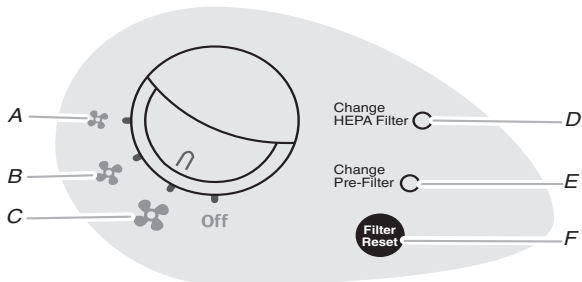
A. 6" (15.2 cm) min. clearance

- You will need a level surface at least 6" (15.2 cm) from heat sources such as ranges or heaters.
- Do not block the air openings or place the air purifier on a soft surface such as a bed or sofa.
- Operate indoors only.

AIR PURIFIER USE

Starting/Stopping Your Air Purifier

NOTE: Before operating the air purifier, record the date of installation on the HEPA filter. Under normal conditions, the HEPA filter should be replaced annually, and the pre-filter should be replaced every 3 months. To remove and replace either filter, see "Filter Replacement" in the "Air Purifier Care" section.



A. Low fan speed
B. Medium fan speed

C. High fan speed
D. HEPA filter indicator light

E. Pre-filter indicator light
F. Filter reset button

! WARNING



Electrical Shock Hazard

Plug into a grounded 3 prong outlet.

Do not remove ground prong.

Do not use an adapter.

Do not use an extension cord.

Failure to follow these instructions can result in death, fire, or electrical shock.

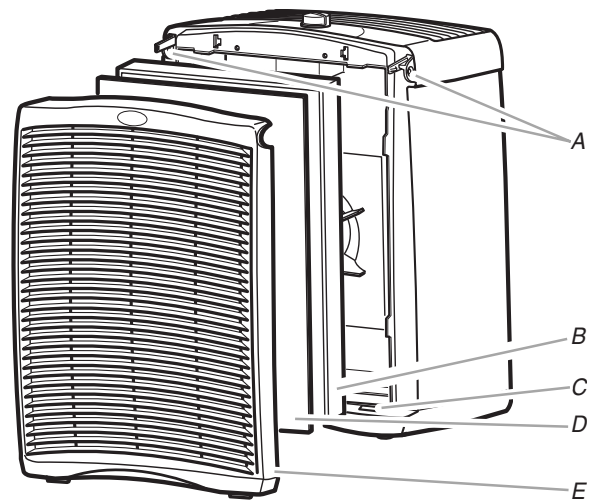
1. Plug into a grounded 3 prong outlet.

NOTE: Both filter indicator lights will flash once during a self-test when the air purifier is turned on or after a power interruption.

2. Turn the fan speed knob to the large fan icon (High), the middle fan icon (Medium) or the small fan icon (Low) to select the desired fan speed.
3. Turn the fan speed knob to Off to turn off the air purifier.

AIR PURIFIER CARE

Cleaning



A. Release tabs

B. HEPA filter
C. Bottom slot

D. Pre-filter
E. Front grille

1. Turn the fan speed knob to Off.
2. Unplug air purifier or disconnect power.
3. Place fingers on the front release tabs. Gently push the tabs in and pull the front grille forward to remove it.
4. Remove both filters and set aside. Do not try to wash and reuse either the HEPA filter or the pre-filter.
5. Clean the air purifier with a soft, damp cloth.

6. Gently wash the front grille in soapy water.
NOTE: The grille is not dishwasher safe.
7. Reassemble the filters as shown in the previous illustration.
8. Place the bottom tabs on the front grille into the slots in the base of the air purifier. Push the top of the grille forward until the grille locks into place.
9. Plug in air purifier or reconnect power.
10. Turn the fan speed knob to the desired fan speed.

Filter Replacement

NOTE: The filter indicator lights on top of the air purifier will glow when it is time to replace either the pre-filter or the HEPA filter. For the most efficient operation of the air purifier, under normal conditions it is recommended that you replace the pre-filter every three months and the HEPA filter every year. See "Replacement Filters" in the "Assistance or Service" section.

1. Turn the fan speed knob to Off.
2. Unplug air purifier or disconnect power.
3. Place fingers on the front release tabs. Gently push the tabs in and pull the front grille forward to remove it.
4. Remove and replace the indicated filter. Install the new HEPA filter in the same direction shown by the arrow located on the filter frame. Install the new pre-filter by placing it on the tabs.

NOTE: Do not try to wash and reuse either the HEPA filter or the pre-filter.

5. Place the bottom tabs on the front grille into the slots in the base of the air purifier. Push the top of the grille forward until the grille locks into place.
6. Plug in air purifier or reconnect power.
7. Turn the fan speed knob to the desired fan speed.
8. Press the Filter Reset button for 5 seconds to turn off the filter indicator light(s) and reset the timer.
NOTE: Pressing the Filter Reset button before either of the filter indicator lights glows will not reset the timer.

TROUBLESHOOTING

First try the solutions suggested here and possibly avoid the cost of a service call...

Air purifier will not run.

■ **Check the following:**

Is the air purifier turned on?

Is the power cord plugged into a grounded 3 prong outlet?

Has a fuse blown, or has a circuit breaker tripped?

Was a regular fuse used? Use a time-delay fuse or time-delay circuit breaker.

ASSISTANCE OR SERVICE

Before calling for assistance or service, please check "Troubleshooting." It may save you the cost of a service call. If you still need help, follow the instructions below.

When calling, please know the purchase date and the complete model and serial number of your appliance. This information will help us to better respond to your request.

In the U.S.A.

Call the Whirlpool Customer eXperience Center toll free: **1-800-253-1301**.

Our consultants provide assistance with:

- Features and specifications on our full line of appliances.
- Installation information.
- Use and maintenance procedures.
- Accessory and repair parts sales.
- Specialized customer assistance (Spanish speaking, hearing impaired, limited vision, etc.).
- Referrals to local dealers, repair parts distributors, and service companies. Whirlpool designated service technicians are trained to fulfill the product warranty and provide after-warranty service, anywhere in the United States.

To locate the Whirlpool designated service company in your area, you can also look in your telephone directory Yellow Pages.

For further assistance

If you need further assistance, you can write to Whirlpool Corporation with any questions or concerns at:

Whirlpool Brand Home Appliances
Customer eXperience Center
553 Benson Road
Benton Harbor, MI 49022-2692

Please include a daytime phone number in your correspondence.

Replacement Filters

Replacement filters may be ordered by calling our Customer eXperience Center at **1-800-253-1301**.

You may also visit our website **www.whirlpool.com**.

NOTE: This information is also located on the HEPA filter for your convenience.

Air Purifier Model No.	HEPA Filter Replacement Part No.	Pre-filter Replacement Part No.
AP15030	1183050 or 1187017	1183062
AP25030	1183051 or 1187018	1183062
AP35030	1183052 or 1187021	1183063
AP45030	1183054 or 1187022	1183063

WHIRLPOOL® AIR PURIFIER WARRANTY

ONE YEAR LIMITED WARRANTY

For one year from the date of purchase if the air purifier's functional parts (controls, switches, power cord, grille and cabinet) fail when operated and maintained according to instructions attached to or furnished with the product, Whirlpool Corporation or Whirlpool Canada LP (hereafter "Whirlpool") will repair or, at our option, replace your air purifier. Your replacement unit will be covered by the remaining one-year limited warranty of the original unit. This warranty does not cover the replacement HEPA (High Efficiency Particulate Air) filter or active charcoal pre-filter. Use of a non-Whirlpool filter will invalidate this warranty. See service instructions below.

30 DAY MONEY-BACK QUIET GUARANTEE

For 30 days from the date of purchase, if you are not completely satisfied that your new Whirlpool® Whispure™ air purifier is quieter than your previous high-efficiency air purifier, Whirlpool will take it back and refund the purchase price to you. Contact the Whirlpool Customer eXperience Center toll-free at **1-800-253-1301** for money-back guarantee procedures. In Canada, call **1-800-461-5681**.

ITEMS WHIRLPOOL WILL NOT PAY FOR

1. Service calls to correct the installation of your product, instruct you how to use your product, to replace house fuses or reset circuit breakers or correct house wiring.
2. Service calls to repair or replace air filters. These consumable parts are excluded from warranty coverage.
3. In-home service. Your air purifier must be taken to a Whirlpool designated service company.
4. Replacement when your product is used for other than normal, single-family household use.
5. Damage resulting from accident, alteration, misuse, abuse, fire, flood, acts of God, improper installation, installation not in accordance with electrical or plumbing codes or use of products not approved by Whirlpool.
6. Replacement parts or repair labor costs and/or replacement of a "failed" unit operated outside the United States or Canada.
7. Repairs to parts or systems resulting from unauthorized modifications made to the appliance.

If you reside in the United States and your Whirlpool® air purifier should fail within the first year of ownership:

1. Call our Customer eXperience Center at **1-800-253-1301** (toll-free).
2. Give the consultant your complete model and serial numbers.
3. The consultant will identify the designated service center nearest your location.
4. You will be responsible for insurance and freight to the designated service center. Please include your name and address on a piece of paper, along with a copy of the proof of purchase (register receipt, charge slip, etc.). The air purifier should be properly packaged to avoid damage in transit since we will not be responsible for any such damage.
5. Whirlpool will return the repaired unit, or at our option, an identical or comparable air purifier to your door free of charge.

If you reside in Canada and your Whirlpool® air purifier should fail within the first year of ownership:

- Call **1-800-461-5681** for details on servicing or replacing your unit.

DISCLAIMER OF IMPLIED WARRANTIES; LIMITATION OF REMEDIES

CUSTOMER'S SOLE AND EXCLUSIVE REMEDY UNDER THIS LIMITED WARRANTY SHALL BE PRODUCT REPAIR OR REPLACEMENT AS PROVIDED HEREIN. IMPLIED WARRANTIES, INCLUDING WARRANTIES OF MERCHANTABILITY OR FITNESS FOR A PARTICULAR PURPOSE, ARE LIMITED TO ONE YEAR OR THE SHORTEST PERIOD ALLOWED BY LAW. WHIRLPOOL SHALL NOT BE LIABLE FOR INCIDENTAL OR CONSEQUENTIAL DAMAGES. SOME STATES AND PROVINCES DO NOT ALLOW THE EXCLUSION OR LIMITATION OF INCIDENTAL OR CONSEQUENTIAL DAMAGES, OR LIMITATIONS ON THE DURATION OF IMPLIED WARRANTIES OF MERCHANTABILITY OR FITNESS, SO THESE EXCLUSIONS OR LIMITATIONS MAY NOT APPLY TO YOU. THIS WARRANTY GIVES YOU SPECIFIC LEGAL RIGHTS AND YOU MAY ALSO HAVE OTHER RIGHTS, WHICH VARY, FROM STATE TO STATE OR PROVINCE TO PROVINCE.

Outside the 50 United States and Canada, this warranty does not apply. Contact your authorized Whirlpool dealer to determine if another warranty applies.

If you need service, first see the "Troubleshooting" section of the Use & Care Guide. After checking "Troubleshooting," additional help can be found by checking the "Assistance or Service" section or by calling Whirlpool. In the U.S.A., call **1-800-253-1301**. In Canada, call **1-800-807-6777**. 8/05

Keep this book and your sales slip together for future reference. You must provide proof of purchase or installation date for in-warranty service.

Write down the following information about your major appliance to better help you obtain assistance or service if you ever need it. You will need to know your complete model number and serial number. You can find this information on the model and serial number label located on the product.

Dealer name _____
Address _____
Phone number _____
Model number _____
Serial number _____
Purchase date _____

SEGURIDAD DEL PURIFICADOR DE AIRE

Su seguridad y la seguridad de los demás es muy importante.

Hemos incluido muchos mensajes importantes de seguridad en este manual y en su electrodoméstico. Lea y obedezca siempre todos los mensajes de seguridad.



Este es el símbolo de advertencia de seguridad.

Este símbolo le llama la atención sobre peligros potenciales que pueden ocasionar la muerte o una lesión a usted y a los demás.

Todos los mensajes de seguridad irán a continuación del símbolo de advertencia de seguridad y de la palabra "PELIGRO" o "ADVERTENCIA". Estas palabras significan:

⚠ PELIGRO

Si no sigue las instrucciones de inmediato, usted puede morir o sufrir una lesión grave.

⚠ ADVERTENCIA

Si no sigue las instrucciones, usted puede morir o sufrir una lesión grave.

Todos los mensajes de seguridad le dirán el peligro potencial, le dirán cómo reducir las posibilidades de sufrir una lesión y lo que puede suceder si no se siguen las instrucciones.

INSTRUCCIONES IMPORTANTES DE SEGURIDAD

ADVERTENCIA: A fin de reducir el riesgo de incendio o de choque eléctrico, no use este purificador de aire con ningún dispositivo semiconductor para el control de la velocidad.

ADVERTENCIA: A fin de reducir el riesgo de incendio, de choque eléctrico o de daños personales, no use en una ventana.

Desenchufe el purificador de aire antes de darle servicio.

LEA Y GUARDE ESTAS INSTRUCCIONES

REQUISITOS DE INSTALACIÓN

Requisitos eléctricos

⚠️ ADVERTENCIA



Peligro de Choque Eléctrico

Conecte a un contacto de pared de conexión a tierra de 3 terminales.

No quite el terminal de conexión a tierra.

No use un adaptador.

No use un cable eléctrico de extensión.

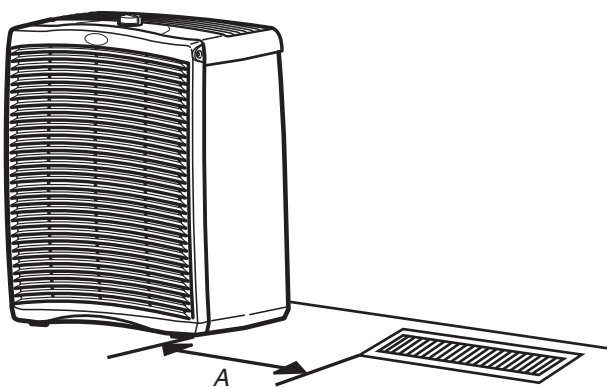
No seguir estas instrucciones puede ocasionar la muerte, incendio o choque eléctrico.

Conexión eléctrica

Para instalar el purificador de aire debidamente, debe determinar el tipo de conexión eléctrica que usará y seguir las instrucciones que se proveen aquí.

- El purificador de aire debe estar conectado a un tomacorriente para clavija de 3 terminales conectado a tierra con un fusible de 115 V, 60 Hz, 15- ó 20-amperios.
- Se recomienda usar un fusible o un cortacircuitos retardador.

Requisitos de ubicación



A. Espacio mín. de 6" (15,2 cm)

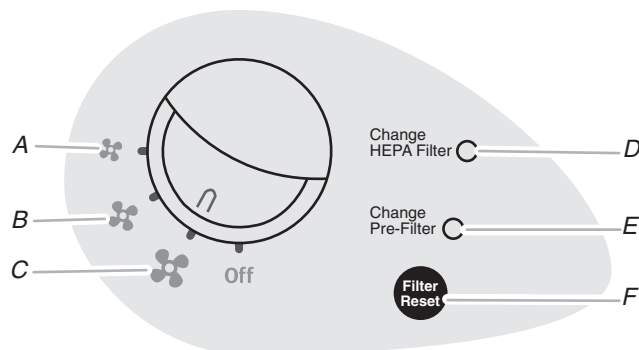
- Necesitará una superficie nivelada de por lo menos 6" (15,2 cm) de distancia de fuentes térmicas como estufas o unidades de calefacción.

- No bloquee los orificios de aire ni coloque el purificador de aire sobre una superficie suave como una cama o un sofá.
- Haga funcionar este producto solamente adentro.

CÓMO FUNCIONA EL PURIFICADOR DE AIRE

Cómo poner en marcha/detener su purificador de aire

NOTA: Antes de poner a funcionar el purificador de aire, anote la fecha de instalación en el filtro HEPA. En condiciones normales, el filtro HEPA debería ser reemplazado anualmente mientras que el prefiltro debería reemplazarse cada 3 meses. Para quitar y volver a colocar cualquiera de los filtros, vea "Reemplazo del filtro" en la sección "Cuidado del purificador de aire".



A. Baja velocidad de ventilación

B. Velocidad media de ventilación

C. Alta velocidad de ventilación

D. Luz del indicador del filtro HEPA

E. Luz del indicador del prefiltro

F. Botón de reajuste del filtro

⚠️ ADVERTENCIA



Peligro de Choque Eléctrico

Conecte a un contacto de pared de conexión a tierra de 3 terminales.

No quite el terminal de conexión a tierra.

No use un adaptador.

No use un cable eléctrico de extensión.

No seguir estas instrucciones puede ocasionar la muerte, incendio o choque eléctrico.

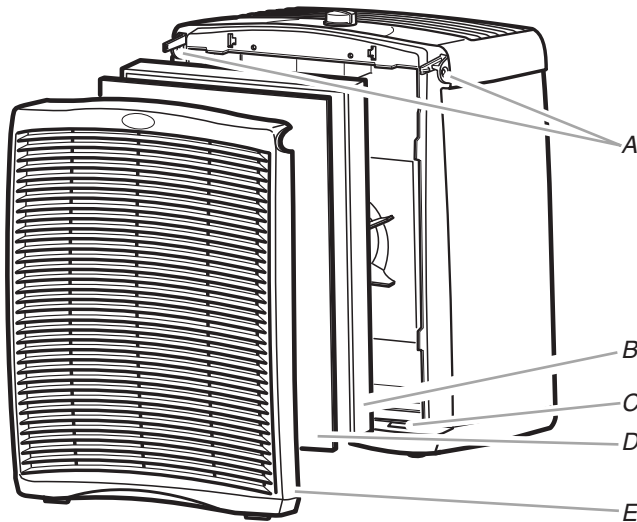
1. Conecte a un contacto de pared de conexión a tierra de 3 terminales.

NOTA: Las luces indicadoras de ambos filtros destellarán una vez durante la autoverificación cuando se ponga a funcionar el purificador de aire o luego de un corte de electricidad.

2. Gire la perilla de velocidad del ventilador hasta el icono grande de ventilador (Alta), el icono mediano de ventilador (Media) o el icono pequeño de ventilador (Baja) para seleccionar la velocidad deseada.
3. Gire la perilla de velocidad del ventilador a la posición Off (Apagado) para apagar el purificador de aire.

CUIDADO DEL PURIFICADOR DE AIRE

Limpieza



A. Lengüetas de liberación
B. Filtro HEPA
C. Ranura inferior
D. Prefiltro
E. Rejilla delantera

1. Gire la perilla de velocidad del ventilador a la posición Off (Apagado).
2. Desenchufe el purificador de aire o desconecte el suministro de energía.
3. Coloque los dedos en las lengüetas de liberación delanteras. Empuje suavemente las lengüetas hacia adentro y jale la rejilla delantera hacia adelante para quitarla.
4. Quite ambos filtros y déjelos a un lado. No intente lavar y volver a usar ni el filtro HEPA ni el prefiltro.
5. Limpie el purificador de aire con un paño suave y húmedo.
6. Lave cuidadosamente la rejilla frontal en agua jabonosa.
NOTA: La rejilla no es resistente a la lavavajillas.
7. Vuelva a ensamblar los filtros como se muestra en la ilustración previa.
8. Coloque las lengüetas inferiores de la rejilla frontal en las ranuras que se encuentran en la base del purificador de aire. Empuje la parte superior de la rejilla hacia delante hasta que ésta encaje en su lugar.
9. Enchufe el purificador de aire o reconecte el suministro de energía.
10. Gire la perilla de velocidad del ventilador hasta la velocidad deseada.

Reemplazo del filtro

NOTA: Las luces indicadoras de los filtros encima del purificador de aire se iluminarán cuando llegue el momento de cambiar el prefiltro o el filtro HEPA. Para un funcionamiento más eficiente de su purificador de aire, en condiciones normales se recomienda que reemplace el prefiltro cada 3 meses y el filtro HEPA cada año. Consulte "Filtros de repuesto" en la sección "Ayuda o servicio técnico".

1. Gire la perilla de velocidad del ventilador a la posición Off (Apagado).
2. Desenchufe el purificador de aire o desconecte el suministro de energía.
3. Coloque los dedos en las lengüetas de liberación delanteras. Empuje suavemente las lengüetas hacia adentro y jale la rejilla delantera hacia adelante para quitarla.
4. Quite y reemplace el filtro indicado. Instale el nuevo filtro HEPA en la misma dirección que se muestra por la flecha ubicada en el marco del filtro. Instale el nuevo prefiltro colocándolo sobre las lengüetas.

NOTA: No intente lavar y volver a usar ni el filtro HEPA ni el prefiltro.

5. Coloque las lengüetas inferiores de la rejilla delantera dentro de las ranuras en la base del purificador de aire. Empuje la parte superior de la rejilla hacia adelante hasta que ésta encaje en su lugar.
6. Enchufe el purificador de aire o reconecte el suministro de energía.
7. Gire la perilla de velocidad del ventilador hasta la velocidad deseada.
8. Presione el botón de Reajuste del prefiltro por 5 segundos para apagar la(s) luz (luces) indicadora(s) del filtro y volver a fijar el temporizador.

NOTA: El presionar el botón de Filter Reset (Volver a fijar el filtro) antes de que cualquiera de las luces destelle no volverá a fijar el temporizador.

SOLUCIÓN DE PROBLEMAS

Primero, pruebe las soluciones aquí sugeridas y quizás se ahorre el costo de una visita de servicio técnico...

El purificador de aire no funciona.

■ Revise lo siguiente:

- ¿Está encendido el purificador de aire?
- ¿Está el cable eléctrico enchufado en un tomacorriente de tres terminales conectado a tierra?
- ¿Se ha quemado un fusible o se ha disparado el cortacircuitos?
- ¿Se usó un fusible común? Use un fusible o un cortacircuitos retardador.

AYUDA O SERVICIO TÉCNICO

Antes de solicitar ayuda o servicio técnico, por favor consulte la sección "Solución de Problemas." Esto le podría ahorrar el costo de una visita de servicio técnico. Si considera que aún necesita ayuda, siga las instrucciones que aparecen a continuación.

Cuando llame, tenga a mano la fecha de compra y el número completo del modelo y de la serie de su electrodoméstico. Esta información nos ayudará a atender mejor a su pedido.

En los EE.UU.

Llame al Centro para la eXperiencia del cliente de Whirlpool sin costo alguno al: **1-800-253-1301**.

Nuestros consultores ofrecen asistencia con respecto a:

- Características y especificaciones de nuestra línea completa de electrodomésticos.
- Información sobre instalación.
- Procedimiento para el uso y mantenimiento.
- Venta de accesorios y piezas para reparación.
- Asistencia especializada para el cliente (habla hispana, problemas de audición, visión limitada, etc.).
- Recomendaciones con distribuidores locales, compañías que dan servicio y distribuidores de partes para reparación. Los técnicos de servicio designados por Whirlpool están entrenados para cumplir con la garantía del producto y ofrecer servicio una vez que la garantía termine, en cualquier lugar de los Estados Unidos.

Para localizar a una compañía de servicio designada por Whirlpool en su área, también puede consultar la sección amarilla de su guía telefónica.

Para obtener más asistencia

Si necesita asistencia adicional, puede escribir a Whirlpool Corporation con sus preguntas o dudas a:

Whirlpool Brand Home Appliances
Customer eXperience Center
553 Benson Road
Benton Harbor, MI 49022-2692

Favor de incluir un número telefónico de día en su correspondencia.

Filtros de repuesto

Para pedir filtros de repuesto, llame a nuestro Centro para la eXperiencia del cliente al **1-800-253-1301**.

También puede visitar nuestro sitio Web: www.whirlpool.com.

NOTA: Para su conveniencia, esta información también está ubicada en el filtro HEPA.

Purificador de aire Modelo No.	Filtro HEPA Pieza de repuesto No.	Prefiltro Pieza de repuesto No.
AP15030	1183050 ó 1187017	1183062
AP25030	1183051 ó 1187018	1183062
AP35030	1183052 ó 1187021	1183063
AP45030	1183054 ó 1187022	1183063

GARANTÍA DEL PURIFICADOR DE AIRE WHIRLPOOL®

GARANTÍA LIMITADA DE UN AÑO

Por un año a partir de la fecha de compra, si las partes funcionales de este purificador de aire (controles, interruptores, cable de suministro eléctrico, parrilla y gabinete) fallan mientras haya sido operado y mantenido según las instrucciones adjuntas o provistas con el producto, Whirlpool Corporation o Whirlpool Canada LP (en lo sucesivo "Whirlpool") reparará o, según nuestra opción, reemplazará su purificador de aire. La unidad de reemplazo estará cubierta por la garantía limitada de un año restante de la unidad original. Esta garantía no cubre el reemplazo del prefiltro de carbón activado o del filtro HEPA (Aire particulado altamente eficaz). El uso de un filtro que no sea de Whirlpool anulará esta garantía. Vea las instrucciones de servicio técnico más adelante.

GARANTÍA DE REEMBOLSO POR 30 DÍAS PARA EL FUNCIONAMIENTO SILENCIOSO

Si durante los próximos 30 días su nuevo Purificador de Aire Whispure™ de Whirlpool® no le resulta más silencioso que su antiguo purificador de aire de alto rendimiento, Whirlpool lo recibirá de vuelta y le reembolsará a usted el precio de compra. Llame al número telefónico gratuito del Centro para la experiencia del cliente al **1-800-253-1301** para los trámites de garantía de reembolso de dinero. En Canadá, llame al **1-800-461-5681**.

WHIRLPOOL NO PAGARÁ POR LOS SIGUIENTES ARTÍCULOS

1. Visitas de servicio técnico para corregir la instalación de su producto, para enseñarle a usar su producto, para cambiar fusibles domésticos o reconectar cortocircuitos o para corregir la instalación eléctrica.
2. Visitas de servicio técnico para reparar o reemplazar filtros de aire. Estos insumos están excluidos de la cobertura de la garantía.
3. Servicio técnico en el domicilio. Debe llevarse el purificador de aire a una compañía de servicio técnico designada por Whirlpool.
4. Reemplazos cuando su producto se use de un modo diferente al doméstico familiar.
5. Daños causados por accidente, alteración, uso indebido, abuso, incendio, inundación, actos fortuitos, instalación incorrecta, instalación que no esté de acuerdo con los códigos eléctricos o de plomería, o el empleo de productos no aprobados por Whirlpool.
6. Piezas de repuesto o gastos de reparación y/o reemplazo de una unidad "fallada" que se emplee fuera de los Estados Unidos o Canadá.
7. Reparaciones de piezas o sistemas como resultado de modificaciones no autorizadas que se hayan efectuado en el electrodoméstico.

Si usted reside en los Estados Unidos y su purificador de aire Whirlpool® falla durante el primer año de adquisición:

1. Llame a nuestro Centro para la experiencia del cliente al **1-800-253-1301** (gratuito).
2. Dé al especialista los números completos del modelo y de la serie.
3. El especialista identificará el centro de servicio técnico designado más cercano a su domicilio.
4. Usted se deberá hacer cargo del seguro y flete hasta el centro de servicio técnico designado. Sírvase incluir su nombre y domicilio en un papel junto con la copia del comprobante de compra (recibo de registradora, comprobante de pago, etc.). El purificador de aire debe estar debidamente empaquetado para que no se dañe durante el transporte dado que no nos haremos cargo de ningún daño producido de esa manera.
5. Whirlpool le entregará la unidad reparada, o a nuestra opción, un purificador de aire idéntico o comparable en su domicilio libre de cargo.

Si usted reside en Canadá y su purificador de aire Whirlpool® falla durante el primer año de adquisición:

- Llame al **1-800-461-5681** para obtener detalles acerca del servicio o el reemplazo de su unidad.

EXCLUSIÓN DE GARANTÍAS IMPLÍCITAS; LIMITACIÓN DE RECURSOS

EL ÚNICO Y EXCLUSIVO RECURSO DEL CLIENTE SEGÚN LOS TÉRMINOS DE ESTA GARANTÍA LIMITADA SERÁ EL DE REPARAR O REEMPLAZAR EL PRODUCTO SEGÚN SE ESTIPULA EN LA PRESENTE. LAS GARANTÍAS IMPLÍCITAS, INCLUYENDO LAS GARANTÍAS DE COMERCIABILIDAD O DE CAPACIDAD PARA UN PROPÓSITO PARTICULAR, SERÁN LIMITADAS A UN AÑO O AL PERÍODO MÁS CORTO PERMITIDO POR LEY. WHIRLPOOL NO SE RESPONSABILIZARÁ POR DAÑOS INCIDENTALES O CONSECUENTES. ALGUNOS ESTADOS Y PROVINCIAS NO PERMITEN LAS EXCLUSIONES O LIMITACIONES POR DAÑOS INCIDENTALES O CONSECUENTES, O LIMITACIONES ACERCA DE CUÁNTO DEBE DURAR UNA GARANTÍA IMPLÍCITA DE COMERCIABILIDAD O CAPACIDAD, DE MODO QUE LAS LIMITACIONES O EXCLUSIONES ARRIBA MENCIONADAS PUEDEN NO APLICARSE EN SU CASO. ESTA GARANTÍA LE OTORGA DERECHOS LEGALES ESPECÍFICOS Y ES POSIBLE QUE USTED TENGA TAMBIÉN OTROS DERECHOS QUE PUEDEN VARIAR DE UN ESTADO A OTRO O DE UNA PROVINCIA A OTRA.

Esta garantía no tiene vigor fuera de los cincuenta Estados Unidos y Canadá. Póngase en contacto con el distribuidor autorizado de Whirlpool para determinar si corresponde otra garantía.

Si necesita servicio, consulte primero la sección "Solución de problemas" del Manual de uso y cuidado. Después de consultar la sección "Solución de problemas", puede encontrar ayuda adicional en la sección "Ayuda o servicio técnico", o llamando a Whirlpool. En E.U.A., llame al **1-800-253-1301**. En Canadá, llame al **1-800-807-6777**. 8/05

Guarde este libro y su comprobante de compra juntos para referencia futura. Usted deberá proporcionar el comprobante de la compra o una fecha de instalación para obtener servicio bajo la garantía.

Escriba la siguiente información acerca de su electrodoméstico principal para ayudarle mejor a obtener asistencia o servicio técnico si alguna vez llegara a necesitarlo. Deberá tener a mano el número completo del modelo y de la serie. Usted puede encontrar esta información en la etiqueta con el número de modelo y de serie ubicada en el producto.

Nombre del distribuidor _____

Dirección _____

Número de teléfono _____

Número de modelo _____

Número de serie _____

Fecha de compra _____

1188694

© 2005 Whirlpool Corporation.
All rights reserved.
Todos los derechos reservados.

® Registered Trademark/TM Trademark of Whirlpool, U.S.A.
® Marca registrada/TM Marca de comercio de Whirlpool, EE.UU.

11/05
Printed in U.S.A.
Impreso en EE.UU.

Free Manuals Download Website

<http://myh66.com>

<http://usermanuals.us>

<http://www.somanuals.com>

<http://www.4manuals.cc>

<http://www.manual-lib.com>

<http://www.404manual.com>

<http://www.luxmanual.com>

<http://aubethermostatmanual.com>

Golf course search by state

<http://golfingnear.com>

Email search by domain

<http://emailbydomain.com>

Auto manuals search

<http://auto.somanuals.com>

TV manuals search

<http://tv.somanuals.com>