

Installation Instructions

Part No. 1157672 Rev. D

**IMPORTANT:
Read and save
these instructions.**

IMPORTANT:

Installer: Leave Installation Instructions with the homeowner.

Homeowner: Keep Installation Instructions for future reference.

Save Installation Instructions for local electrical inspector's use.

Air Conditioner



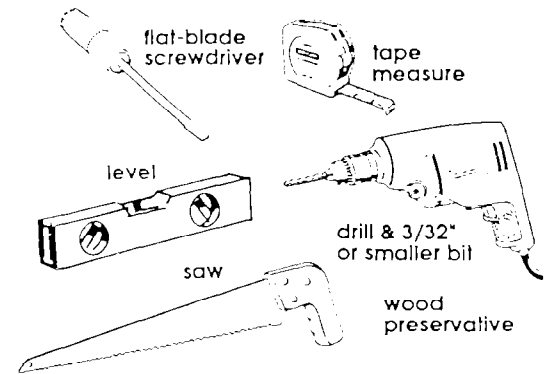
Before you start...

Proper installation is your responsibility. Make sure you have everything necessary for correct installation. It is the customer's responsibility to comply with the installation specifications provided.

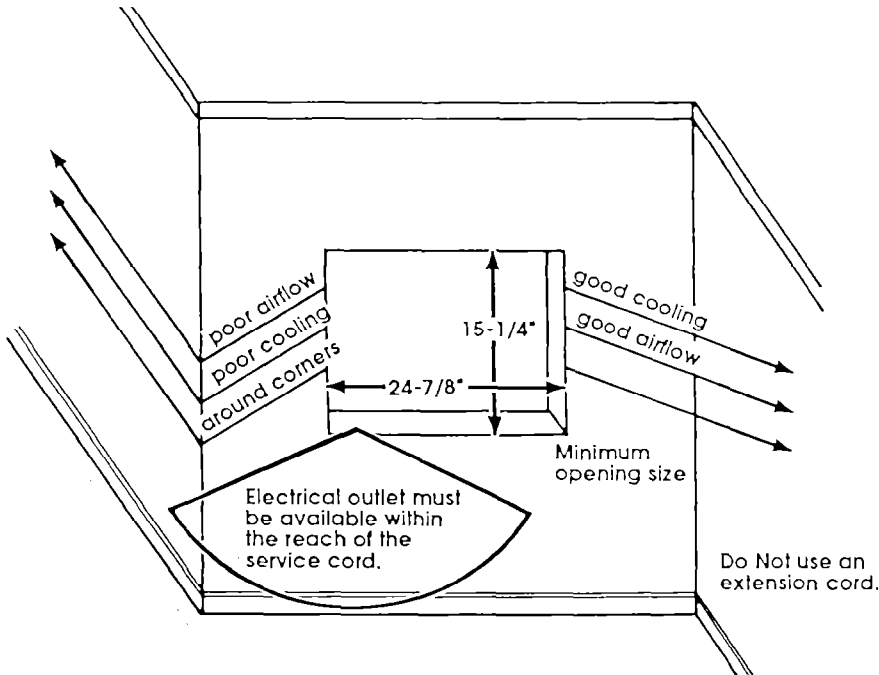
Grounded electrical outlet within reach of the power supply cord is required. See Electrical requirements.

Important: Observe all governing codes and ordinances.

Tools and materials needed for installation:



Order Through-the-Wall Mounting Kit, Part No. 1158268 from authorized parts distributor.



Check location where air conditioner will be installed for opening size, electrical outlet, and airflow.

An electrical outlet must be available within reach of the service cord. **DO NOT USE AN EXTENSION CORD.**

The opening dimensions must have a 24-7/8" width and 15-1/4" height.

Electrical requirements

WARNING

Electrical Shock Hazard

- Electrical ground is required on this appliance.
- Do Not modify the power supply cord plug. If it does not fit the outlet, have a proper outlet installed by a qualified electrician.
- Do Not have a fuse in the neutral or grounding circuit. A fuse in the neutral or grounding circuit could result in electric shock.
- Do Not use an extension cord with this appliance.
- Check with a qualified electrician if you are in doubt as to whether the appliance is properly grounded.

Failure to follow these instructions could result in serious injury or death.

If codes permit and a separate grounding wire is used, it is recommended that a qualified electrician determine that the grounding path is adequate.

WARNING

Electrical Shock Hazard

It is the customer's responsibility:

- To contact a qualified electrical installer.
- To assure that the electrical installation is adequate and in conformance with National

Personal Injury/Product Damage Hazard

- Because of the weight and size of the air conditioner, more than one person is needed to move, lift and safely install it.
- Handle air conditioner with care. Metal fins on front and rear coils are sharp.
- Do Not drink the water that collects inside the air conditioner. It is not sanitary.
- Maintain a firm hold on the air

Electrical Code, ANSI/NFPA 70- latest edition, and all local codes and ordinances.

Failure to do so could result in fire, electrical shock or other personal injury.

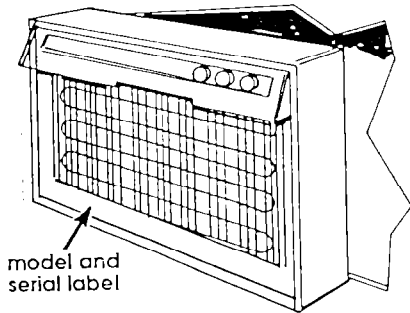
conditioner to prevent it from falling out of opening during installation.

- Do Not locate air conditioner where cabinet front is exposed to a heat source that raises the surface temperature above 120°F.

Failure to follow these instructions could result in personal injury or damage to air conditioner.

A single-phase, 60-Hz, AC only, electrical supply is required on a separate circuit. A 15-amp, time-delay fuse or circuit breaker is required. Copper wire (#14-gauge) is required.

The model and serial label is located behind the front panel on the base flange.



Specific electrical requirements are listed in the chart. Follow the requirements for the type of plug on the power supply cord.

Wiring requirements

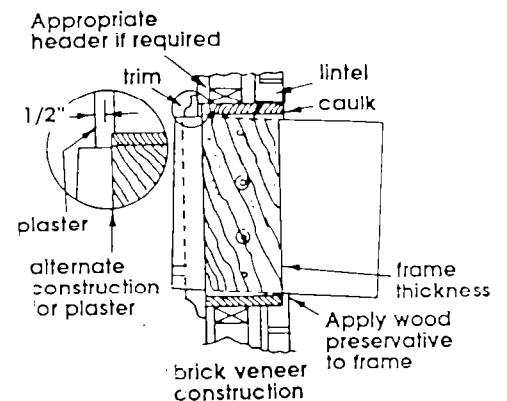
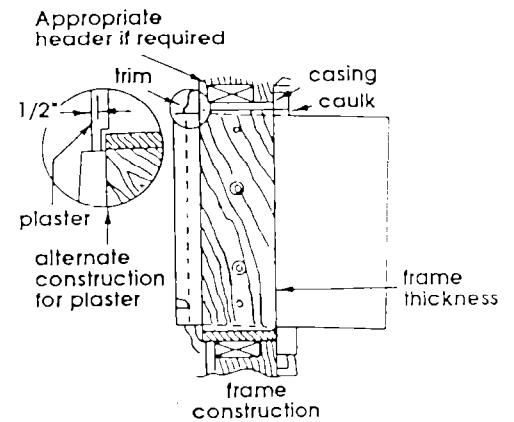
Plug Type A	Plug Type B
<p>3-prong grounding plug</p> <p>3-prong grounding-type wall receptacle.</p> <p>grounding prong</p> <p>power supply cord</p>	<p>1/4" blade receptacle</p> <p>small tandem blades</p> <p>grounding prong</p>
115-volt - 103.5v min., 126.5v max.	230/208 volt - 197.6v min., 235v max.
7.5-amp ratings or less — a double outlet is acceptable.	12-amp rating or less — use a single outlet and a separate circuit.
7.6 through 12-amp ratings — use only a single outlet and separate circuit.	

Recommended grounding method

Do Not, under any circumstances, remove the power supply cord grounding prong.

For your personal safety, this appliance must be grounded. This appliance is equipped with a power supply cord having a 3-prong grounding plug. To minimize possible shock hazard, the cord must be plugged into a mating, 3-prong grounding-type wall receptacle, grounded in accordance with the National Electrical Code, ANSI/NFPA 70-latest edition, and local codes and ordinances. If a mating wall receptacle is not available, it is the personal responsibility and obligation of the customer to have a properly grounded, 3-prong wall receptacle installed by a qualified electrician.

THROUGH-THE-WALL INSTALLATION



Now start...

with air conditioner in room where it will be installed.

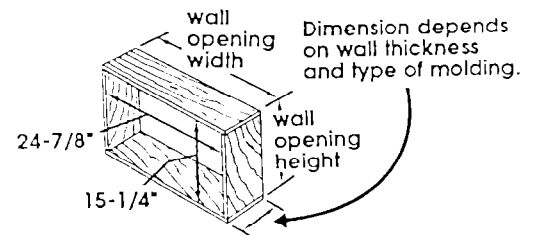
It is the customer's responsibility and obligation to have this product installed by a qualified technician familiar with through-the-wall room air conditioner installations.

Check the air conditioner model number on the model/serial label located behind the front panel on the base flange.

If the air conditioner model number starts with letters ACU, it must be installed into an air conditioner sleeve. It will fit into a Whirlpool sleeve, Model# AOW22W2, or a comparable sleeve that is at least 19" deep. See THROUGH-THE-WALL SLEEVE INSTALLATION on back cover.

If the air conditioner model number starts with letters other than ACU, install according to THROUGH-THE-WALL INSTALLATION.

1. When using a wood, metal or plastic molding, the frame should line up with the inside wall. If the plastered wall is to be flush with the cabinet and no molding is used, the frame must be set 1/2-inch into the wall.



2. Cut opening through the wall. Remove insulation.

3. Use 1-inch or heavier lumber for wood frame. Measure depth of wall opening and frame. Apply wood preservative to the outside, exposed surface.

- 4.** Insert the frame in the wall opening. Square and level frame. Nail frame securely to the wall studs.

CAUTION

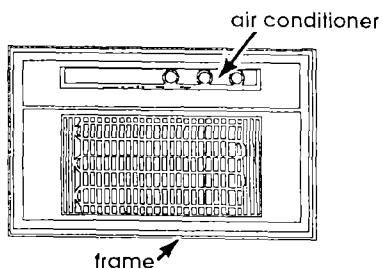
Floor Damage
Remove air conditioner from carton and place on cardboard. Failure to do so may cause damage to floor covering.

- 5.** Remove air conditioner and front panel from carton.

WARNING

Personal Injury/Product Damage Hazard

- Maintain a firm hold on the air conditioner to prevent it from falling out of the opening during installation.
- Failure to follow this instruction could result in personal injury or damage to the air conditioner.

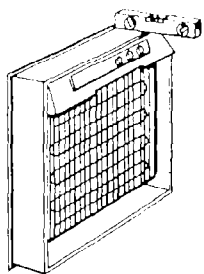


- 6.** Place unit in center of opening.

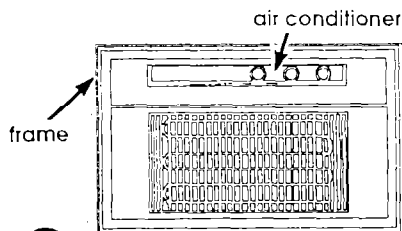
CAUTION

Wall/Floor Damage

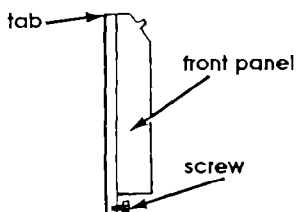
Check that air conditioner is tilted to the outside so that water will run to the outside. Failure to do so may cause damage to wall/floor coverings.



- 7.** Place level on air conditioner in opening. There should be a tilt to the outside of about one bubble. The air conditioner should be level from side to side.



- 8.** Secure air conditioner in opening. Go to Step 9.



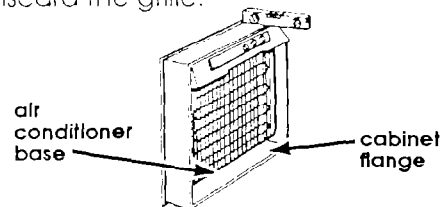
- 9.** Remove sheet metal screws from front base flange. Insert tabs on the top edge of front panel into slots in the air conditioner cabinet. Use two screws to attach the bottom of the front panel to the cabinet.

- 10.** Use insulation to seal opening between cabinet and frame. Caulk outside wall openings around cabinet.

- 11.** If needed, install molding around room side of cabinet.

THROUGH-THE-WALL SLEEVE INSTALLATION

- 1.** Remove the rear grille from the air conditioner and discard the grille.



Place the foam seal between the front edge of the air conditioner base and the bottom flange of the cabinet.

- 2.** Install the sleeve by following the installation instructions that came with it.

- 3.** Follow THROUGH-THE-WALL INSTALLATION, Steps 9 through 11 to complete installation.

If your air conditioner is not operating properly...

Check that the circuit breaker is not tripped or house fuse blown. Check that power supply cord is securely plugged into the electrical outlet.

If you need assistance...

The Whirlpool Consumer Assistance Center will answer any questions about operating or maintaining your air conditioner not covered in the Installation Instructions. The Whirlpool Consumer Assistance Center is open 24 hours a day, 7 days a week. Just dial (800) 253-1301 — the call is free. When you call, you will need the air conditioner model number and serial number. Both numbers are found on model and serial label located behind the front panel on the base flange.



Free Manuals Download Website

<http://myh66.com>

<http://usermanuals.us>

<http://www.somanuals.com>

<http://www.4manuals.cc>

<http://www.manual-lib.com>

<http://www.404manual.com>

<http://www.luxmanual.com>

<http://aubethermostatmanual.com>

Golf course search by state

<http://golfingnear.com>

Email search by domain

<http://emailbydomain.com>

Auto manuals search

<http://auto.somanuals.com>

TV manuals search

<http://tv.somanuals.com>