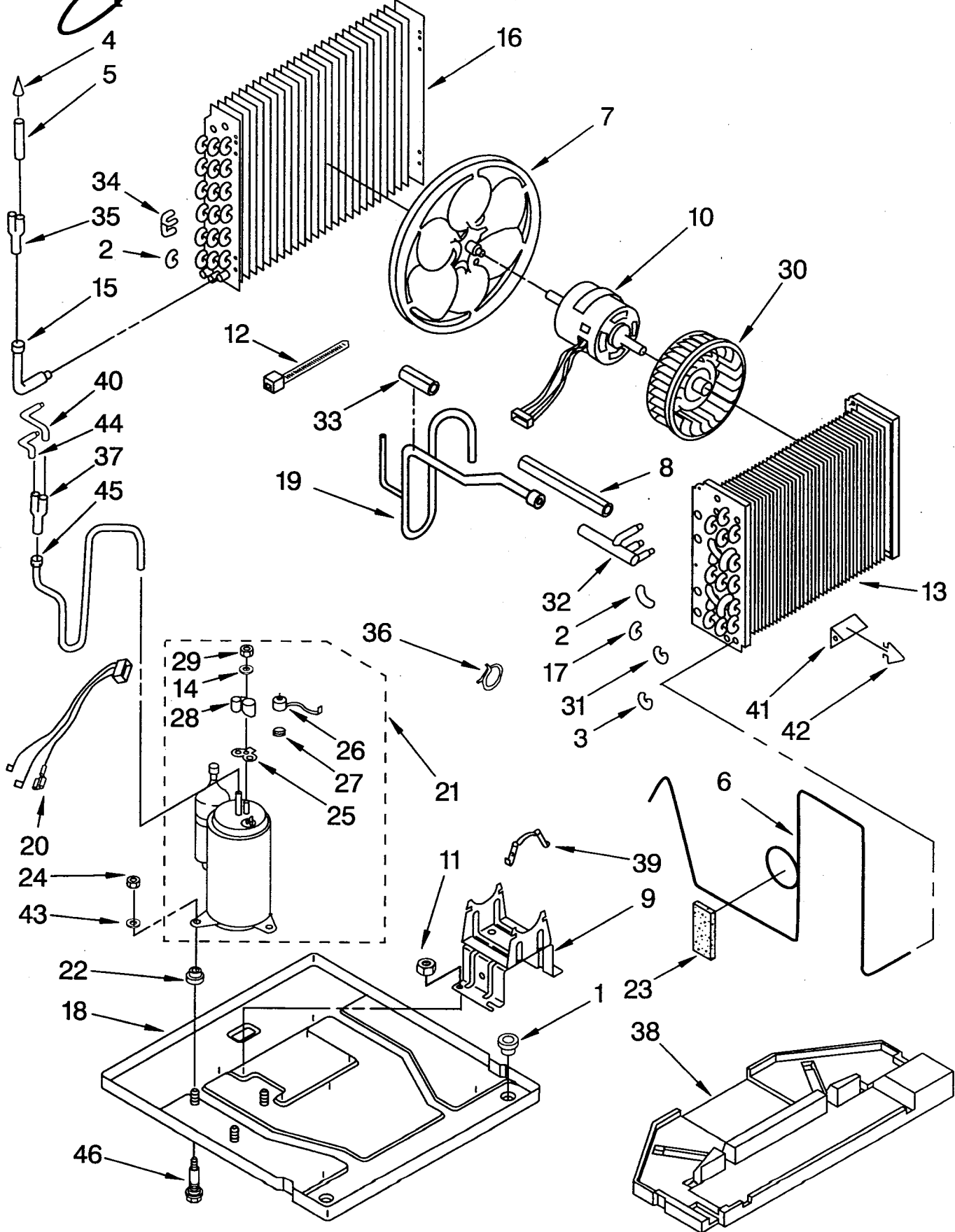




# UNIT PARTS

For Model: ACQ142XA0

AIR CONDITIONER



|    |         |  |
|----|---------|--|
| 1  | 997285  | Cup, Condensate                            |
| 2  | 708532  | Bend, Return Condenser (17) Evaporator (2) |
| 3  | 708531  | Bend, Return Evaporator (13)               |
| 4  | 49599   | Strainer, Tube                             |
| 5  | 1155598 | Tube, Outlet (Includes Illus. 4)           |
| 6  | 1163414 | Tube, Restrictor (3)                       |
| 7  | 1158665 | Blade, Fan (Condenser)                     |
| 8  | 1160870 | Seal, Suction Tube                         |
| 9  | 1160672 | Bracket, Fan Motor                         |
| 10 | 1164683 | Motor, Fan                                 |
| 11 | 1160408 | Nut  |
| 12 | 602851  | Tie, Cable                                 |
| 13 | 1163408 | Evaporator                                 |
| 14 | 950037  | Gasket, Nut                                |
| 15 | 1158703 | Tube, Connect                              |
| 16 | 1163522 | Condenser                                  |
| 17 | 1156329 | Tube, Riser (2)                            |
| 18 | 1162146 | Base (Includes 46)                         |
| 19 | 1163412 | Tube, Suction                              |
| 20 | 1158689 | Harness, Wiring (Compressor Service)       |
| 21 | 1157102 | Compressor                                 |
| 22 | 950021  | Grommet (3)                                |
| 23 | 1162616 | Seal, Anti-Rub                             |
| 24 | 858121  | Locknut (3)                                |
| 25 | 950035  | Gasket, Terminal Cover                     |
| 26 | 1155700 | OverLoad                                   |
| 27 | 950032  | Spring, Overload                           |
| 28 | 950036  | Cover, Terminal                            |
| 29 | 950027  | Nut, Terminal Cover                        |
| 30 | 1163407 | Wheel, Blower (Evaporator)                 |
| 31 | 1158692 | Return Bend (2)                            |
| 32 | 1162043 | Manifold, Suction                          |
| 33 | 1163850 | Dampener                                   |
| 34 | 1158685 | Bend, Return                               |
| 35 | 947364  | Tube, Flow Divider                         |
| 36 | 471088  | Clamp (2)                                  |
| 37 | 1162071 | Flow, Divider                              |
| 38 | 1158652 | Pan, Drain                                 |
| 39 | 1157015 | Clip, Motor (2)                            |
| 40 | 1160357 | Tube, Feeder                               |
| 41 | 484238  | Anticipator                                |
| 42 | 642080  | Clip, Anticipator                          |
| 43 | 1160880 | Washer (3)                                 |
| 44 | 1160358 | Tube, Feeder                               |
| 45 | 1161047 | Tube, Discharge                            |
| 46 | 1158668 | Bolt, Compressor                           |

FOLLOWING PARTS NOT ILLUSTRATED

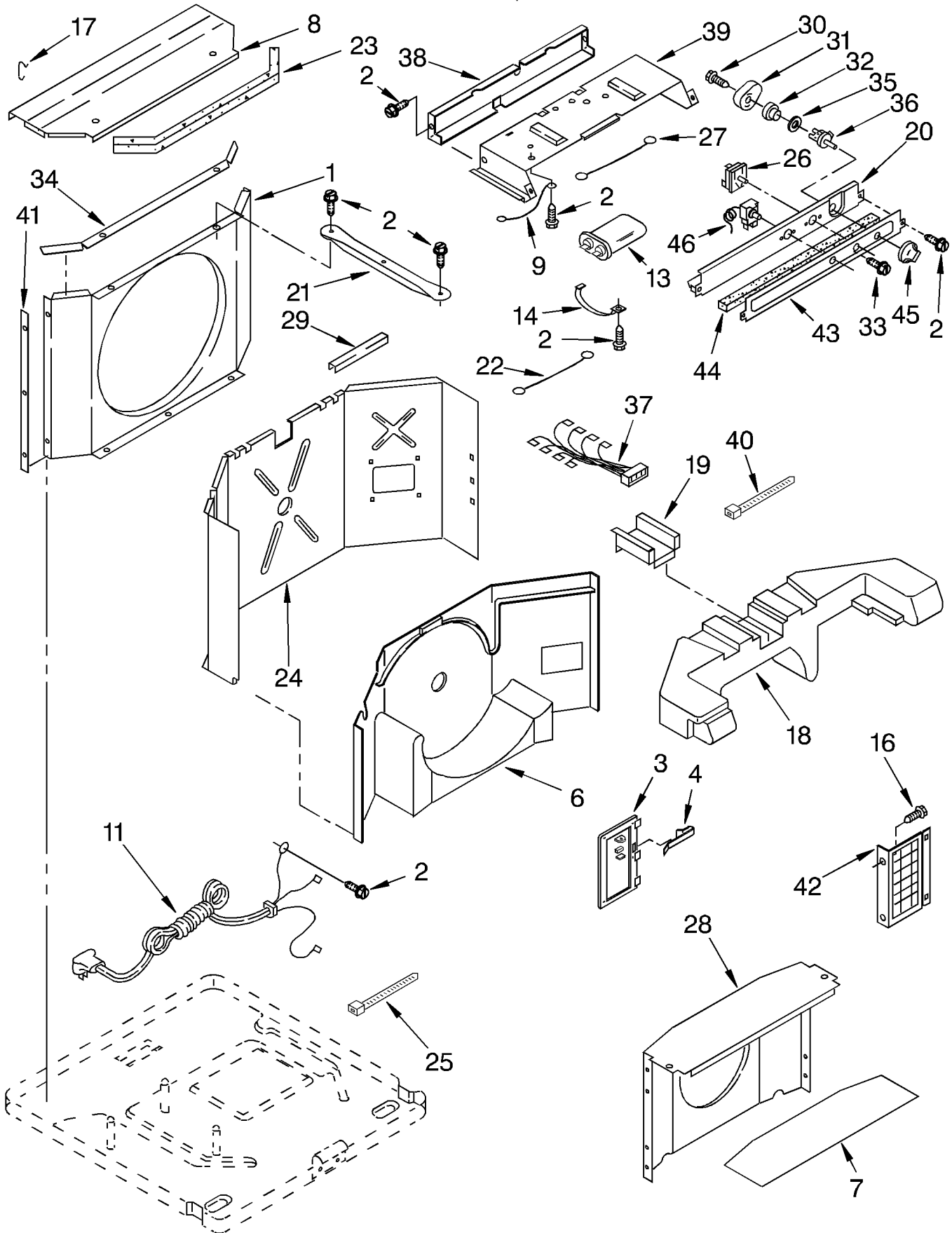
|            |                            |
|------------|----------------------------|
|            | Literature Parts           |
| LIT1163503 | Instructions, Installation |
| LIT1157501 | Use And Care Guide         |
| LIT1157446 | Tech Sheet                 |
| LIT1157445 | Wiring Diagram             |

REFRIGERANT CHARGE

30 OZ. (R-22)

# AIRFLOW AND CONTROL PARTS

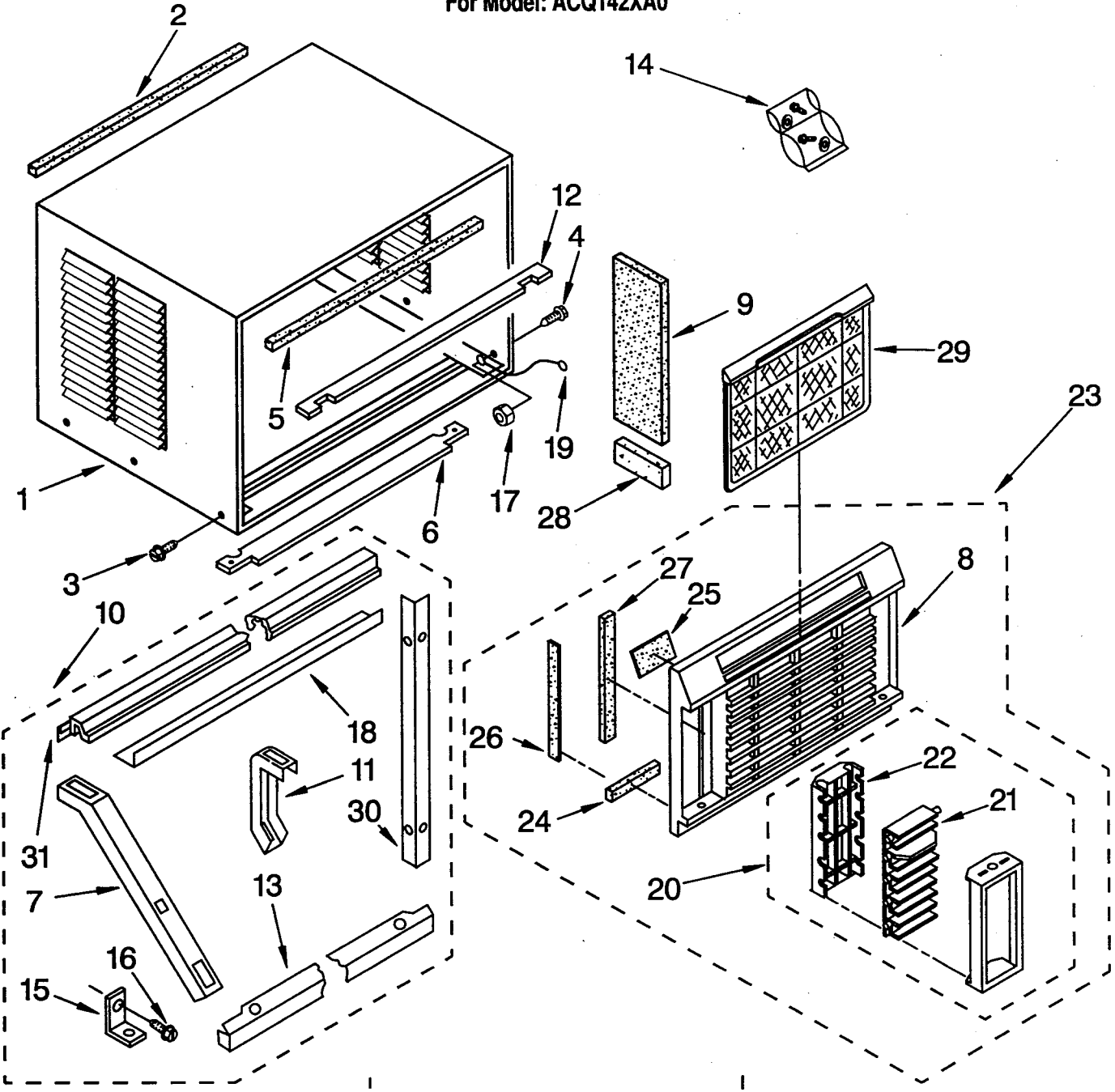
For Model: ACQ142XA0



|    |         |                               |
|----|---------|-------------------------------|
| 1  | 1157403 | Shroud, Condenser             |
| 2  | 1157158 | Screw, 8 x 3/8                |
| 3  | 997221  | Door, Exhaust                 |
| 4  | 859369  | Spring, Door                  |
| 6  | 1158653 | Scroll (Lower)                |
| 7  | 1160820 | Seal, Evaporator              |
| 8  | 1157407 | Top, Condenser                |
| 9  | 856094  | Wire, Ground                  |
| 11 | 1163527 | Cord, Appliance               |
| 13 | 1159893 | Capacitor, Running            |
| 14 | 1156967 | Bracket, Capacitor            |
| 16 | 1161561 | Screw, 8-18 x 3/8             |
| 17 | 1164511 | Clip, Shroud (2)              |
| 18 | 1158654 | Scroll, Upper                 |
| 19 | 1157418 | Raceway, Wiring               |
| 20 | 1156933 | Panel, Control                |
| 21 | 1164561 | Support, Unit (2)             |
| 22 | 1157443 | Wire, Control                 |
| 23 | 1158732 | Seal, Shroud                  |
| 24 | 1161556 | Dividing Wall                 |
| 25 | 1159130 | Tie, Cable                    |
| 26 | 1158669 | Switch Rotary                 |
| 27 | 1156982 | Wire, Thermostat To Switch    |
| 28 | 1157404 | Shroud Assembly, Evaporator   |
| 29 | 1162200 | Grommet, Divider Wall         |
| 30 | 489092  | Screw 7-18 x 5/8              |
| 31 | 997813  | Cam, Exhaust                  |
| 32 | 859233  | Bushing, Shaft                |
| 33 | 488734  | Screw, 6-32 x .175 (2)        |
| 34 | 1163519 | Seal, Condenser Shroud Top    |
| 35 | 647881  | Washer                        |
| 36 | 1158253 | Shaft, Control Exhaust        |
| 37 | 1157651 | Harness, Wiring - Control Box |
| 38 | 1156932 | Control Box                   |
| 39 | 1156965 | Back Panel, Control Box       |
| 40 | 857547  | Cable, Tie                    |
| 41 | 1163535 | Seal, Condenser Shroud Side   |
| 42 | 1161555 | Impeller Guard (2)            |
| 43 | 1158658 | Escutcheon                    |
| 44 | 1158066 | Spacer (2)                    |
| 45 | 1158054 | Knob, Controls (3)            |
| 46 | 1160214 | Control, Temperature          |

# CABINET PARTS

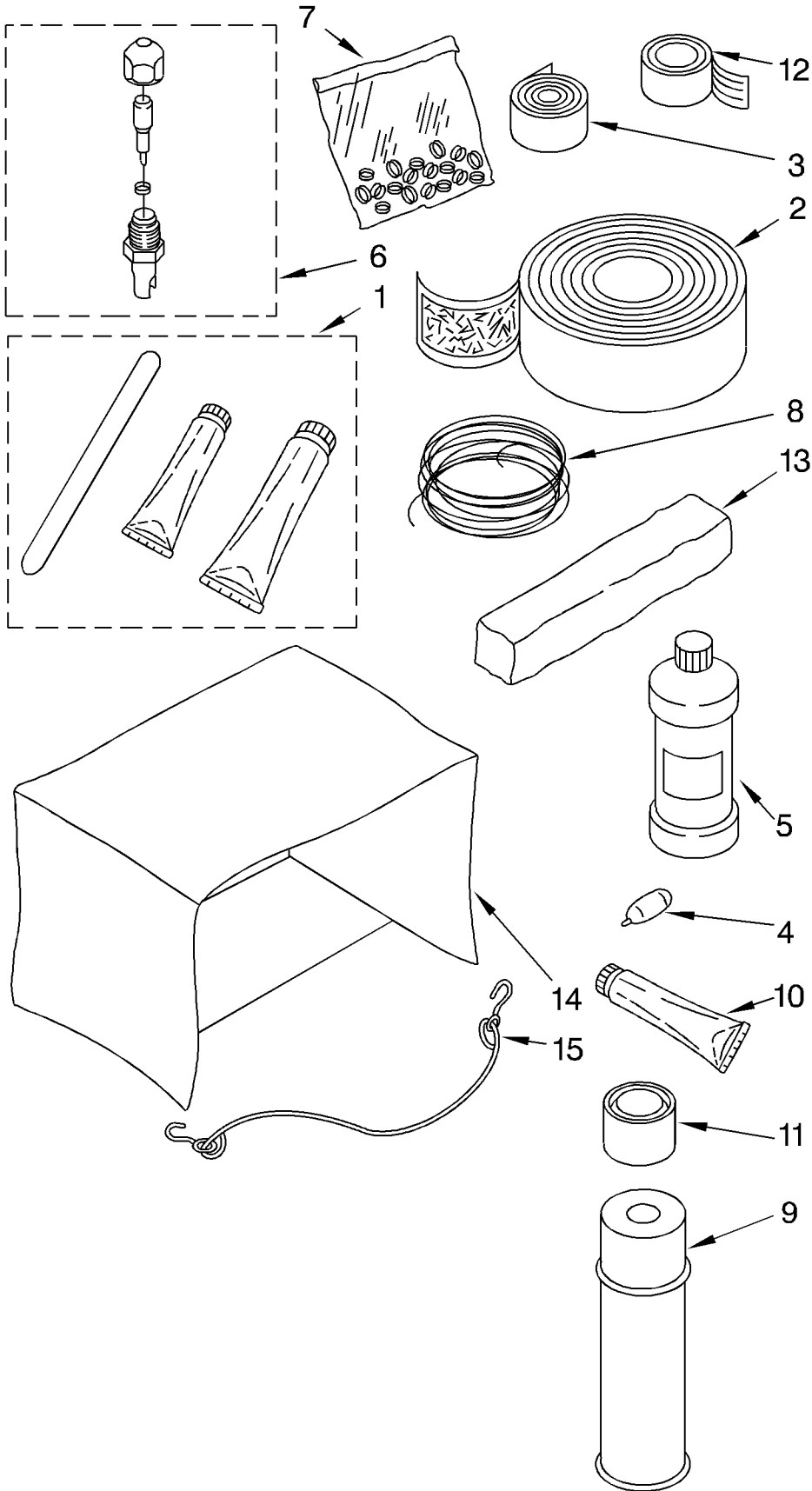
For Model: ACQ142XA0



|    |         |                             |
|----|---------|-----------------------------|
| 1  | 1162272 | Cabinet                     |
| 2  | 469877  | Gasket, Meeting Rail        |
| 3  | 1157158 | Screw, 8 x 3/8 (3)          |
| 4  | 488234  | Screw                       |
| 5  | 1158731 | Seal, Top                   |
| 6  | 1160768 | Seal                        |
| 7  | 649945  | Support Cabinet             |
| 8  | 1157463 | Cabinet Front               |
| 9  | 1160819 | Insulation Cabinet Side (2) |
| 10 | 1160600 | Kit, Window Mounting        |
| 11 | 649946  | Retainer, Cabinet Support   |
| 12 | 1160762 | Seal                        |
| 13 | 649947  | Bracket, Support            |
| 14 | 1158746 | Bag, Accessory              |
| 15 | 644228  | Bracket, Window             |
| 16 | 488480  | Screw, 8 x 1/2              |
| 17 | 486529  | Nut, Hex                    |
| 18 | 644271  | Angle, Top Mtg.             |
| 19 | 857022  | Ground, Cabinet             |
| 20 | 1157464 | Cartridge, Complete         |
| 21 | 1157466 | Horizontal Louver           |
| 22 | 1157467 | Ribs, Vertical              |
| 23 | 1157462 | Front, Complete             |
| 24 |         | Seal                        |
|    | 1160764 | Right Side                  |
|    | 1160763 | Left Side                   |
| 25 |         | Seal                        |
|    | 1160770 | Right Side                  |
|    | 1161864 | Left Side                   |
| 26 | 1160769 | Seal                        |
| 27 | 1161863 | Seal                        |
| 28 | 1160818 | Insulation Cabinet Side(2)  |
| 29 | 1157468 | Filter                      |
| 30 | 644272  | Angle, Side Mtg.            |
| 31 | 644288  | Gasket, Sash                |

# OPTIONAL PARTS (NOT INCLUDED)

For Model: ACQ142XA0



|    |        |   |
|----|--------|---|
| 1  | 799833 | Epoxy, Tube (Aluminum Repair)                     |
| 2  | 505168 | Tape, No Drip 30'                                 |
| 3  | 479502 | Tape, Vinyl 36'                                   |
| 4  | 10943  | Oil, Turbine 1 Oz.                                |
| 5  | 99243  | Oil, Turbine 8 Oz.                                |
| 6  |        | Valve, Access                                     |
|    | 876764 | 3/16" Tube O.D.                                   |
|    | 978025 | 1/4" Tube O.D.                                    |
|    | 978026 | 5/16" Tube O.D.                                   |
|    | 978027 | 3/8" Tube O.D.                                    |
|    | 978028 | 1/2" Tube O.D.                                    |
|    | 978029 | 5/8" Tube O.D.                                    |
|    | 978030 | 3/4" Tube O.D.                                    |
| 7  | 978865 | Seal, Ring Access Valve (20-Pack)                 |
| 8  |        | Wire, 25'Roll                                     |
|    | 10875  | Blue 16 Ga.                                       |
|    | 242820 | Black 14 Ga.                                      |
|    | 242825 | Red 14 Ga.  |
|    | 242826 | White 14 Ga.                                      |
|    | 47261  | Black 12 Ga.                                      |
|    | 299885 | Red 12 Ga.  |
|    | 47263  | White 12 Ga.                                      |
| 9  | 813684 | Adhesive, Insulation (24 Oz. Spray)               |
| 10 | 279368 | Adhesive, Insulation (2 Oz. Tube)                 |
| 11 | 485426 | Paint, Touch-up Starlight Gray 1/2 Pint (Lacquer) |
| 12 | 212643 | Sealer, Permagum 4-1" Strips                      |
| 13 | 99344  | Sealer, Permagum 1 Lb. Bar                        |
| 14 |        | Cover, Winter                                     |
|    | 484066 | 28"x19"x31"                                       |
|    | 484067 | 19"x12"x14"                                       |
|    | 484069 | 27"x19"x6 to 27"                                  |
|    | 484184 | 22"x15"x3 to 18"                                  |
| 15 | 813610 | Retainer, Cord (Winter Cover)                     |

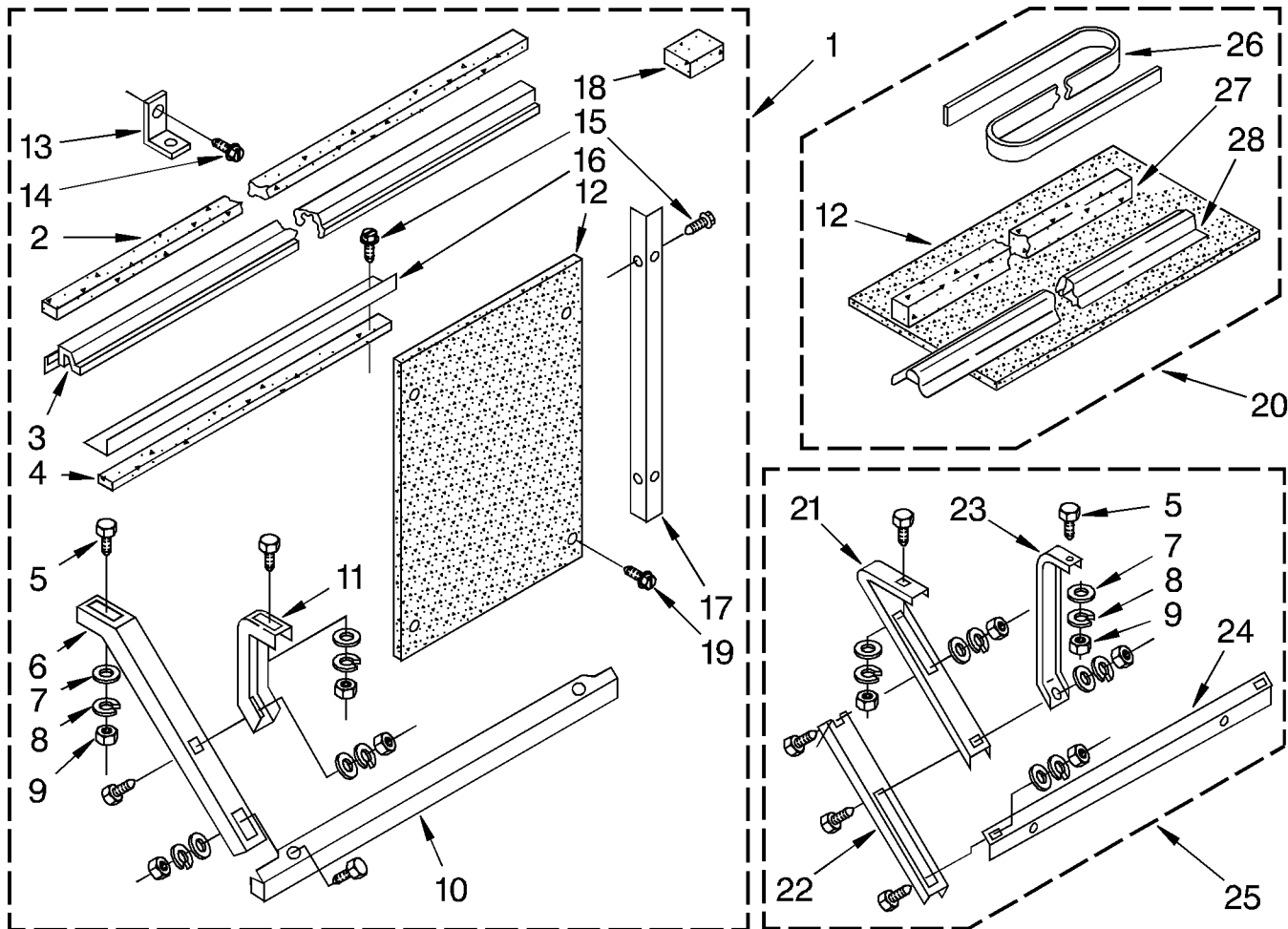


# INSTALLATION PARTS

For Model: ACQ142XA0

An Installation Kit is included with your air conditioner. If repair parts are required at a later date, you may select the correct part number from this listing.

Other Installation Kits shown below may be ordered where special circumstances require them.



|    |         |                            |
|----|---------|----------------------------|
| 1  | 1160600 | Kit, Standard Installation |
| 2  | 469877  | Seal                       |
| 3  | 644288  | Gasket, Sash               |
| 4  | 855265  | Strip, Seal                |
| 5  | 488750  | Bolt, 1/4 x 3/4 (6)        |
| 6  | 649945  | Support, Cabinet (2)       |
| 7  | 488808  | Washer (6)                 |
| 8  | 486009  | Lockwasher (6)             |
| 9  | 486035  | Nut, Hex (6)               |
| 10 | 649947  | Bracket, Support           |
| 11 | 649946  | Support, Retainer (2)      |
| 12 | 644303  | Board, Filler              |
| 13 | 644228  | Bracket                    |
| 14 | 487371  | Screw, 10 x 3/4            |
| 15 | 488720  | Screw, 10 x 1/2            |
| 16 | 644271  | Angle(Top)                 |
| 17 | 644272  | Angle (2)                  |
| 18 | 995274  | Spacer, Block (4)          |
| 19 | 488017  | Screw, 8 x 3/8             |
| 20 | 485856  | Kit, Wide Window           |
| 21 | 644283  | Support, Cabinet (2)       |
| 22 | 644284  | Extension, Support (2)     |
| 23 | 644285  | Retainer, Cabinet (2)      |
| 24 | 644281  | Bracket, Support           |
| 25 | 485679  | Kit, Outside Support       |
| 26 | 856979  | Strip, Seal                |
| 27 | 470800  | Seal, Meeting Rail         |
| 28 | 485457  | Gasket, Sash (54")         |

Following Parts Not Illustrated

LITERATURE PARTS

|           |  |
|-----------|--|
| LIT998618 | Instructions, Installation (Standard and Wide Window Kits) |
| LIT485707 | Instructions, Installation (Outside Support Kit)           |

## Free Manuals Download Website

<http://myh66.com>

<http://usermanuals.us>

<http://www.somanuals.com>

<http://www.4manuals.cc>

<http://www.manual-lib.com>

<http://www.404manual.com>

<http://www.luxmanual.com>

<http://aubethermostatmanual.com>

Golf course search by state

<http://golfingnear.com>

Email search by domain

<http://emailbydomain.com>

Auto manuals search

<http://auto.somanuals.com>

TV manuals search

<http://tv.somanuals.com>