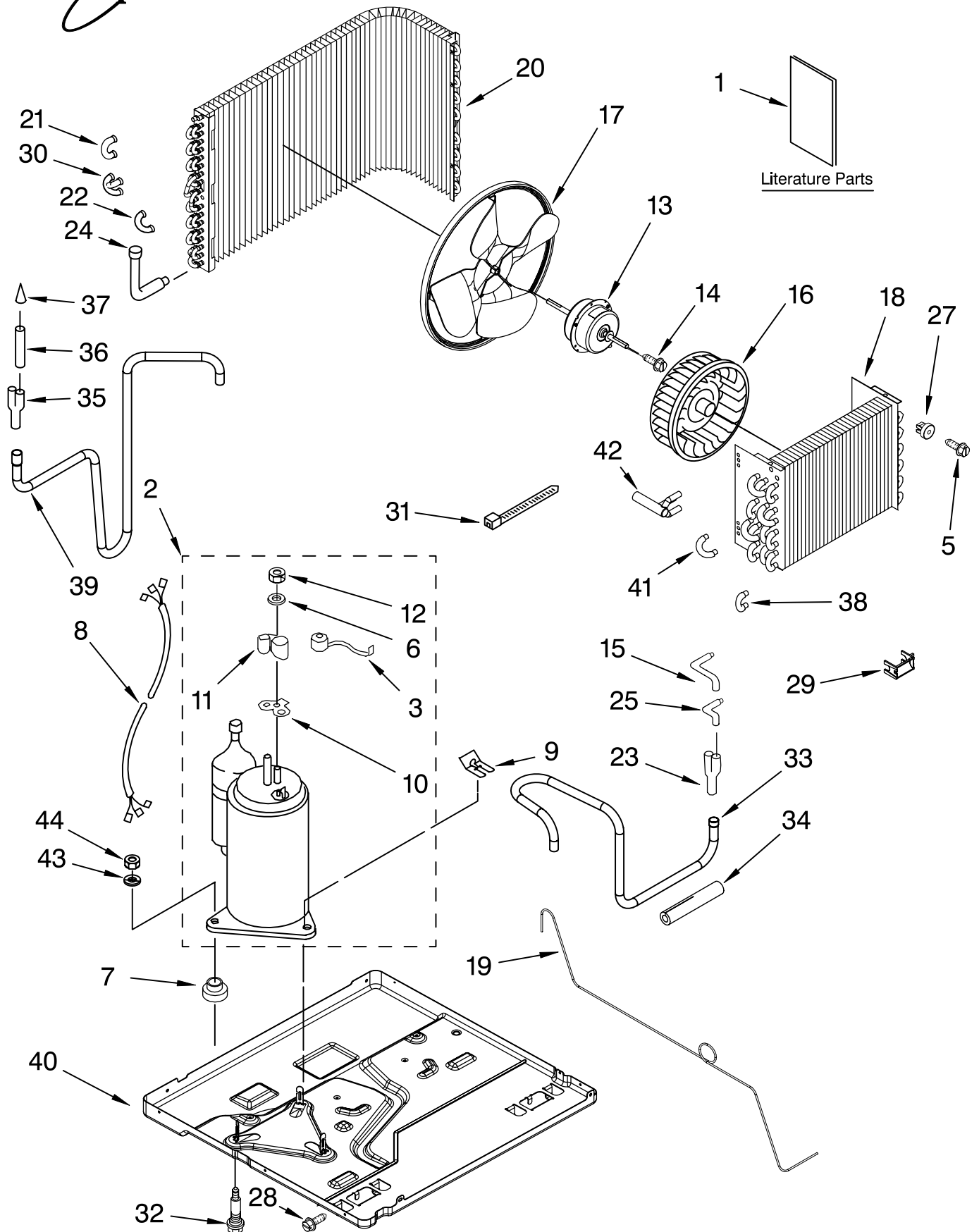




UNIT PARTS

AIR CONDITIONER

For Model: ACQ189XR1



FOR ORDERING INFORMATION REFER TO PARTS PRICE LIST

UNIT PARTS

For Model: ACQ189XR1

Illus. No.	Part No.	DESCRIPTION
1		Literature Parts
	1188126	Wiring Diagram
	1188018	Use & Care Guide
	1188035	Energy Guide
2	1187689	Compressor
3	1186803	Overload
5	8533969	Screw
6	1182120	Gasket
7	950021	Grommet
8	1187606	Wiring Harness, Compressor
9	8011446	Clip, Compressor
10	1182118	Gasket, Terminal Cover
11	1184748	Cover, Terminal
12	1186128	Nut, Hex
13	1187177	Motor, Fan
14	8533943	Screw
15	1187659	Tube, Feeder
16	1187186	Wheel, Blower
17	1187178	Blade, Fan
18	1187187	Evaporator
19	1187649	Tube, Restrictor
20	1187179	Condenser
21	1187604	Bend, Return
22	1187691	Bend, Return
23	1159832	Tube, Flow Divider
24	1187660	Tube, Connecting
25	1187373	Tube, Feeder
27	1187495	Grommet, Screw
28	488624	Screw
29	1185337	Clip, Temperature Anticipator
30	8031285	Bend, Return
31	857547	Tie, Cable
32	1165674	Screw
33	1187787	Tube, Suction (Includes Item 34)
34	1187638	Seal, Suction Tube
35	947364	Tube, Flow Divider
36	1155598	Tube, Outlet (Includes Item 37)
37	49599	Strainer
38	855199	Bend, Return
39	1187562	Tube, Discharge
40	1187554	Base
41	855644	Bend, Return
42	1187190	Manifold, Suction
43	1160880	Washer, Flat
44	858121	Nut, Lock

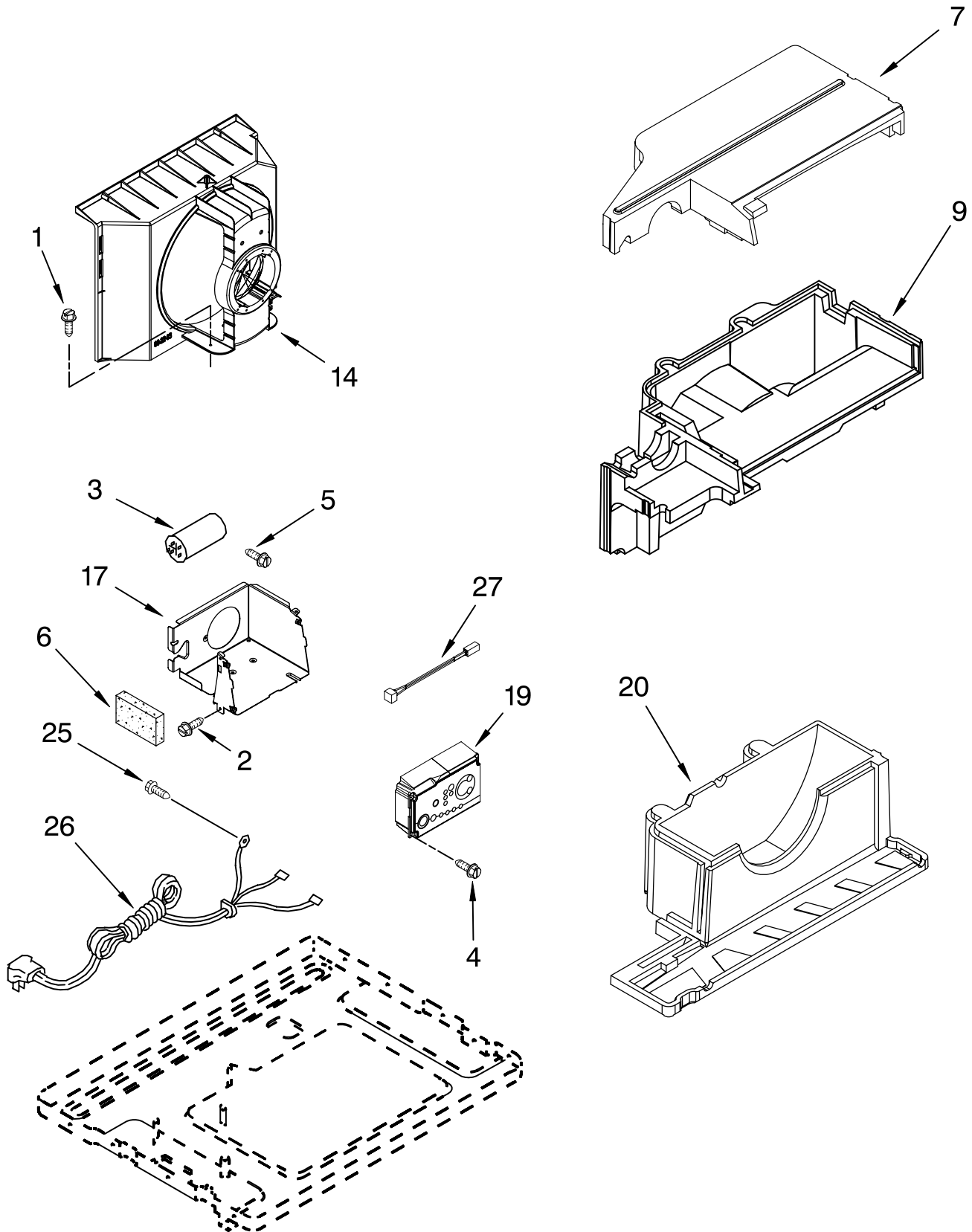
REFRIGERANT CHARGE

33.50 oz.

FOR ORDERING INFORMATION REFER TO PARTS PRICE LIST

AIRFLOW AND CONTROL PARTS

For Model: ACQ189XR1



FOR ORDERING INFORMATION REFER TO PARTS PRICE LIST

AIR FLOW AND CONTROL PARTS

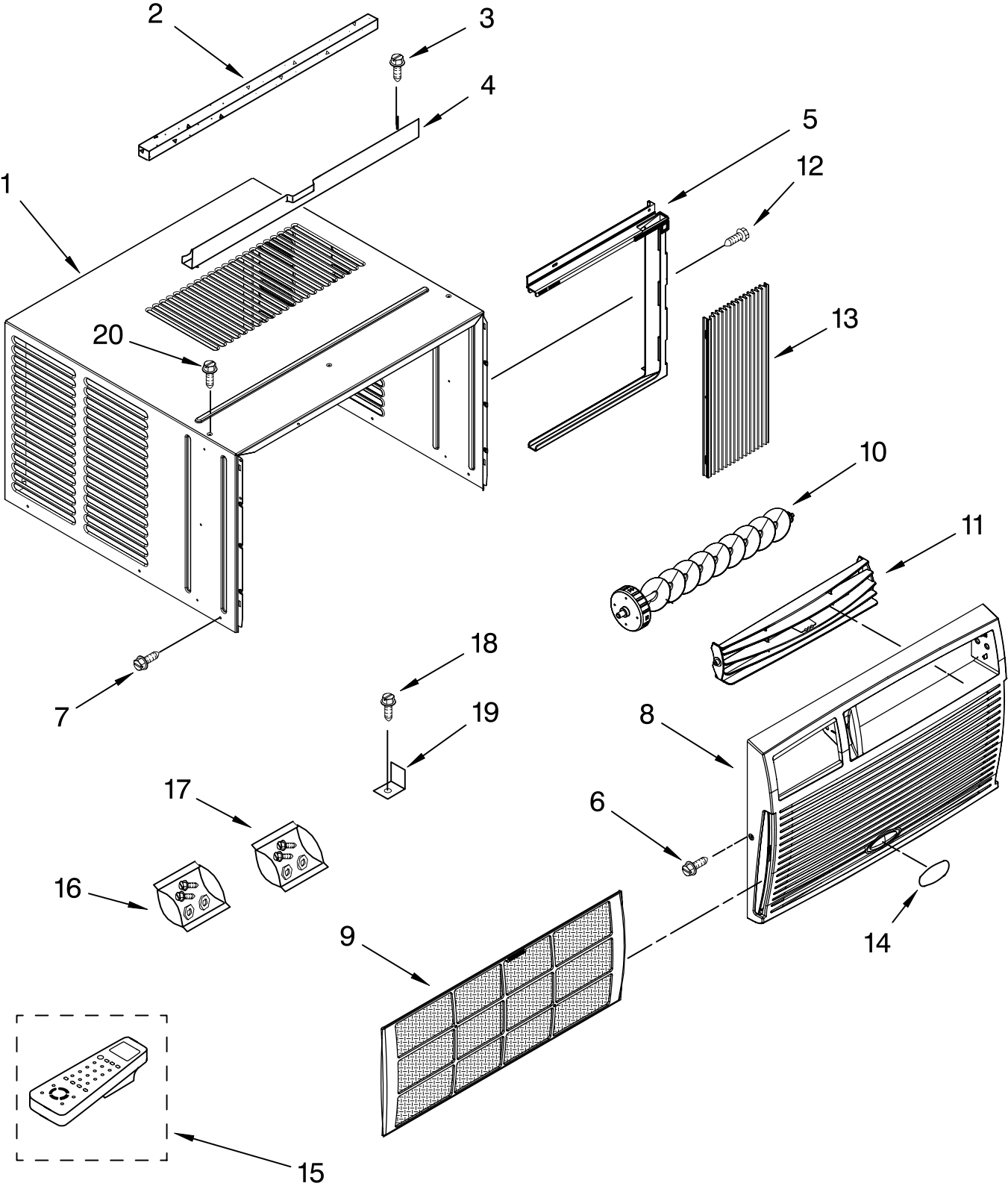
For Model: ACQ189XR1

Illus. No.	Part No.	DESCRIPTION
1	1157158	Screw
2	1168744	Screw
3	1187486	Capacitor, Running
4	3400638	Screw
5	8533835	Screw
6	1187690	Seal, Control Box
7	1187193	Hood, Air Housing
9	1187191	Housing, Top
14	1187176	Shroud, Condenser
17	1187369	Box, Control
19	1187924	Panel, Control (Includes Item 27)
20	1187185	Housing, Air- Bottom
25	1159222	Screw
26	1187843	Cable, Appliance
27	1188148	Thermistor

FOR ORDERING INFORMATION REFER TO PARTS PRICE LIST

CABINET PARTS

For Model: ACQ189XR1



FOR ORDERING INFORMATION REFER TO PARTS PRICE LIST

CABINET PARTS

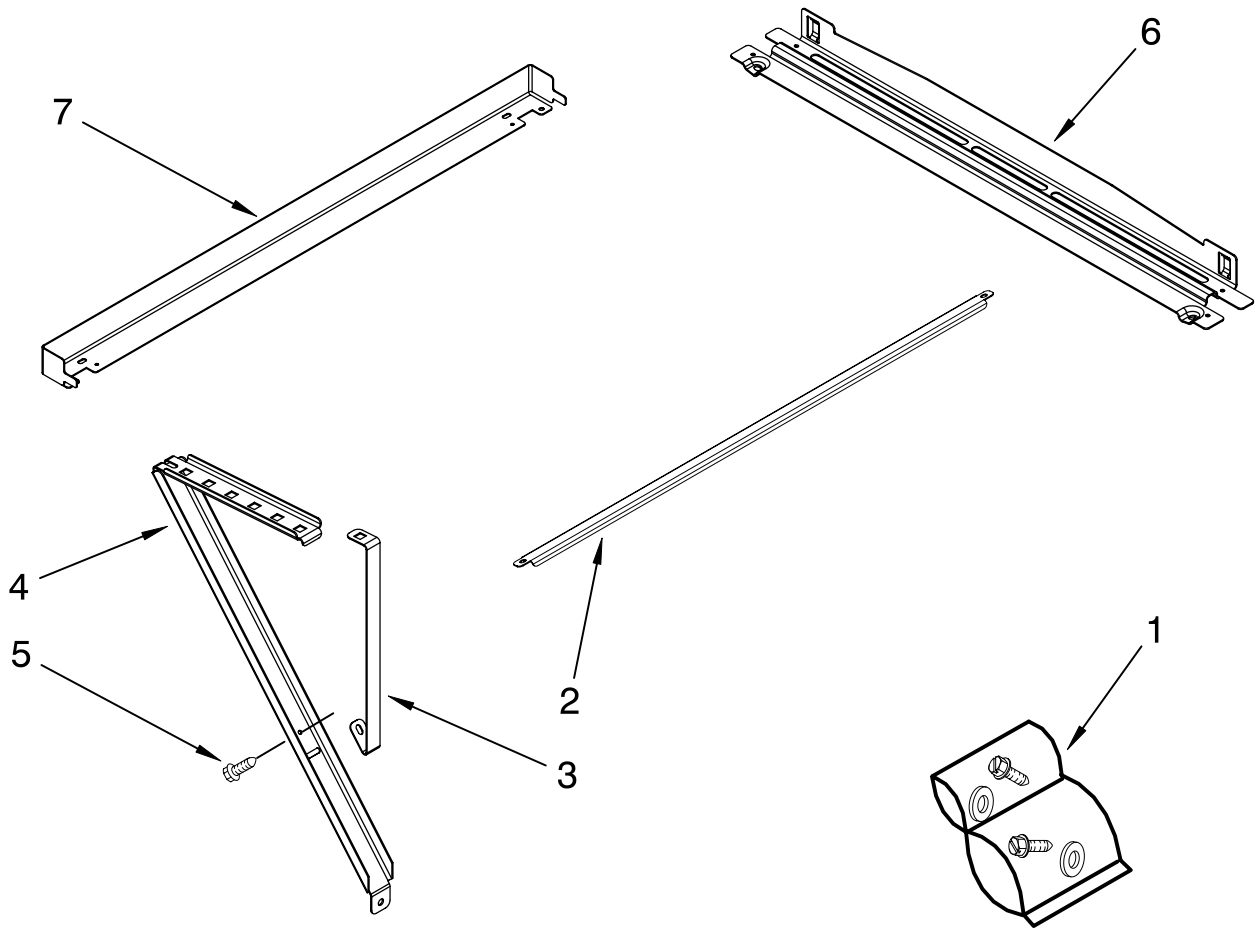
For Model: ACQ189XR1

Illus. No.	Part No.	DESCRIPTION
1	1187194	Cabinet
2	469877	Seal, Meeting Rail
3	309112	Screw, 10-12 x .375
4	1187203	Channel, Top
5	1187530	Frame, Curtain (Right Side)
	1187531	(Left Side)
6	1168744	Screw,
7	488624	Screw, 8-15 x .375
8	1187196	Front
9	1187389	Filter
10	1187260	Louver, Vertical
11	1187259	Louver Horizontal
12	246132	Screw, 8-18 x .375
13	1187532	Curtain
14	1187169	Nameplate
15	1186156	Control, Remote
16	476180	Bag, Accessory
17	1185948	Bag, Accessory For Curtains
18	488255	Screw, Wood 8-15 x .750
19	644228	Bracket, Window Lock
20	9740848	Screw

FOR ORDERING INFORMATION REFER TO PARTS PRICE LIST

INSTALLATION PARTS

For Model: ACQ189XR1

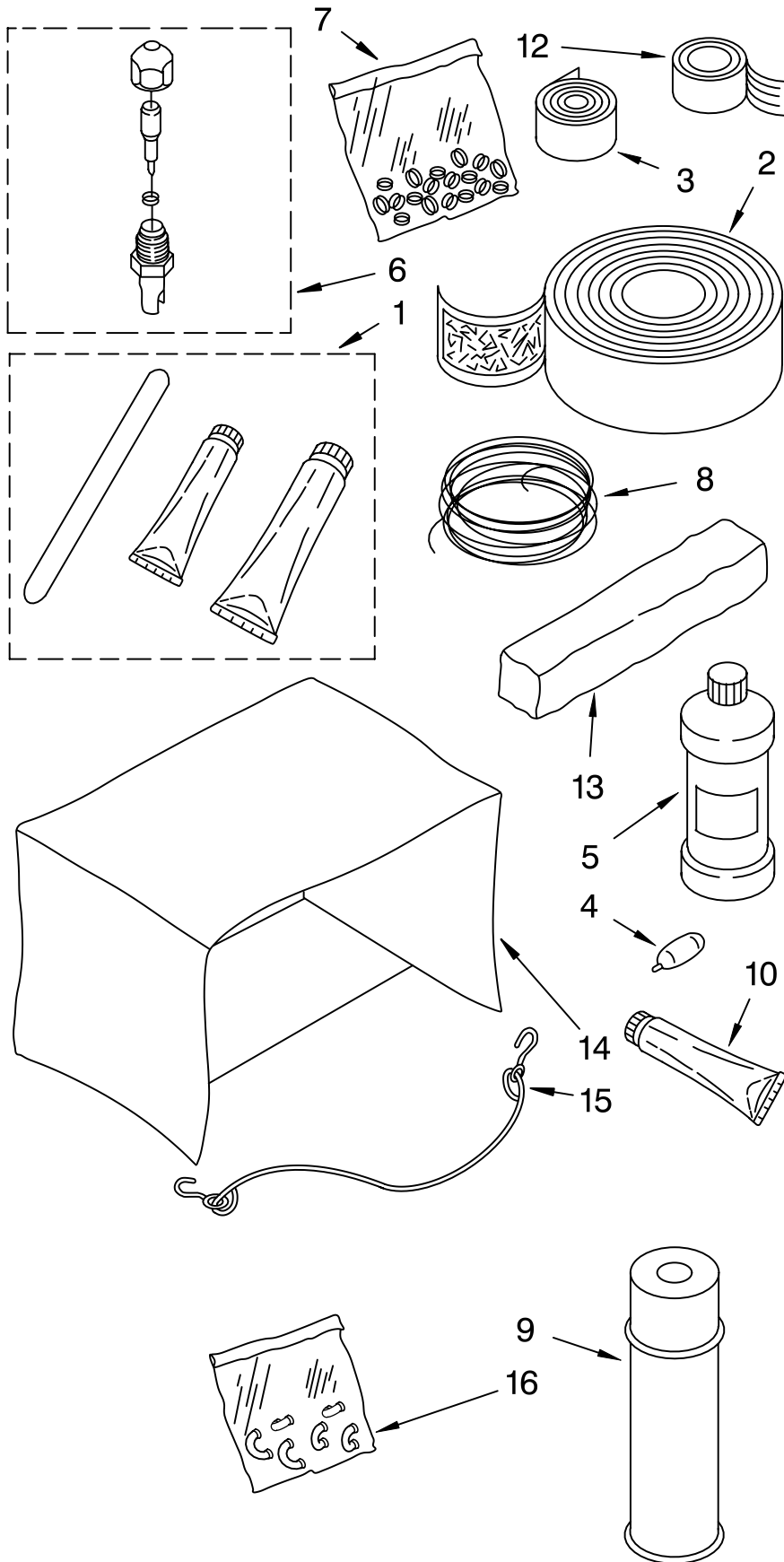


Illus. No.	Part No.	DESCRIPTION
1	1187201	Bag, Mounting Hardware
2	1187285	Support, Center
3	1187286	Strap, Vertical (2)
4	1187202	Support, Vertical (2)
5	8533835	Screw, (2)
6	1187283	Support, Side (2)
7	1187284	Support, Back

FOR ORDERING INFORMATION REFER TO PARTS PRICE LIST

OPTIONAL PARTS (NOT INCLUDED)

For Model: ACQ189XR1



Illus. No.	Part No.	DESCRIPTION
1	799833	Epoxy, Tube (Aluminum Repair)
2	505168	Tape, No Drip 30'
3	479502	Tape, Vinyl 36'
4	10943	Oil, Turbine 1 Fl. Oz.
5	99243	Oil, Turbine 8 Fl. Oz.
6		Valve, Access
	876764	3/16" Tube O.D.
	978025	1/4" Tube O.D.
	978026	5/16" Tube O.D.
	978027	3/8" Tube O.D.
	978028	1/2" Tube O.D.
	978029	5/8" Tube O.D.
	978030	3/4" Tube O.D.
7	978865BULK	Seal, Ring Access Valve (20-Pack)
8		Wire, 25' Roll
	242820	Black 14 Ga.
	242825	Red 14 Ga.
	47261	Black 12 Ga.
	299885	Red 12 Ga.
	47263	White 12 Ga.
9	813684	Adhesive, Insulation (24 Oz. Spray)
10	279368	Adhesive, Insulation (2 Oz. Tube)
12	212643	Sealer, Permagem 4-1" Strips
13	99344	Sealer, Permagem 1 Lb. Bar
14		Cover, Winter
	484066	28 x 19 x 31"
	484067	19 x 12 x 14"
	484069	27 x 19 x 6 to 27"
	484184	22 x 15 x 3 to 18"
15	813610	Retainer, Cord (Winter Cover)
16		Return Bend Replacement Kit
	4388784	(5/16 Inch Tube)
	4388785	(3/8 Inch Tube)

FOR ORDERING INFORMATION REFER TO PARTS PRICE LIST

Free Manuals Download Website

<http://myh66.com>

<http://usermanuals.us>

<http://www.somanuals.com>

<http://www.4manuals.cc>

<http://www.manual-lib.com>

<http://www.404manual.com>

<http://www.luxmanual.com>

<http://aubethermostatmanual.com>

Golf course search by state

<http://golfingnear.com>

Email search by domain

<http://emailbydomain.com>

Auto manuals search

<http://auto.somanuals.com>

TV manuals search

<http://tv.somanuals.com>