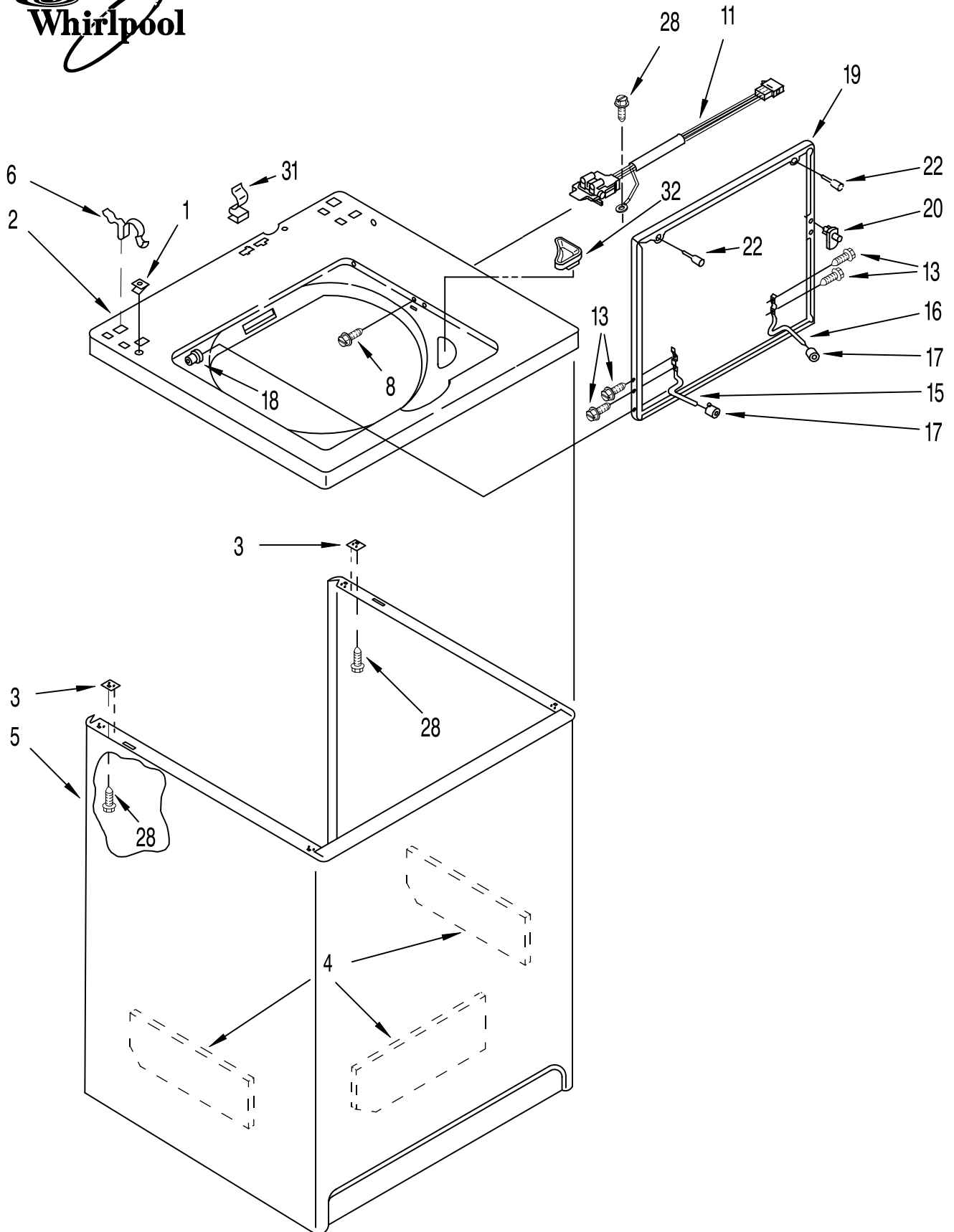


TOP AND CABINET PARTS

For Models: LSQ9244EQ0, LSQ9244EZ0
(Designer White) (Designer Almond)

AUTOMATIC
WASHER



FOR ORDERING INFORMATION REFER TO PARTS PRICE LIST

TOP AND CABINET PARTS

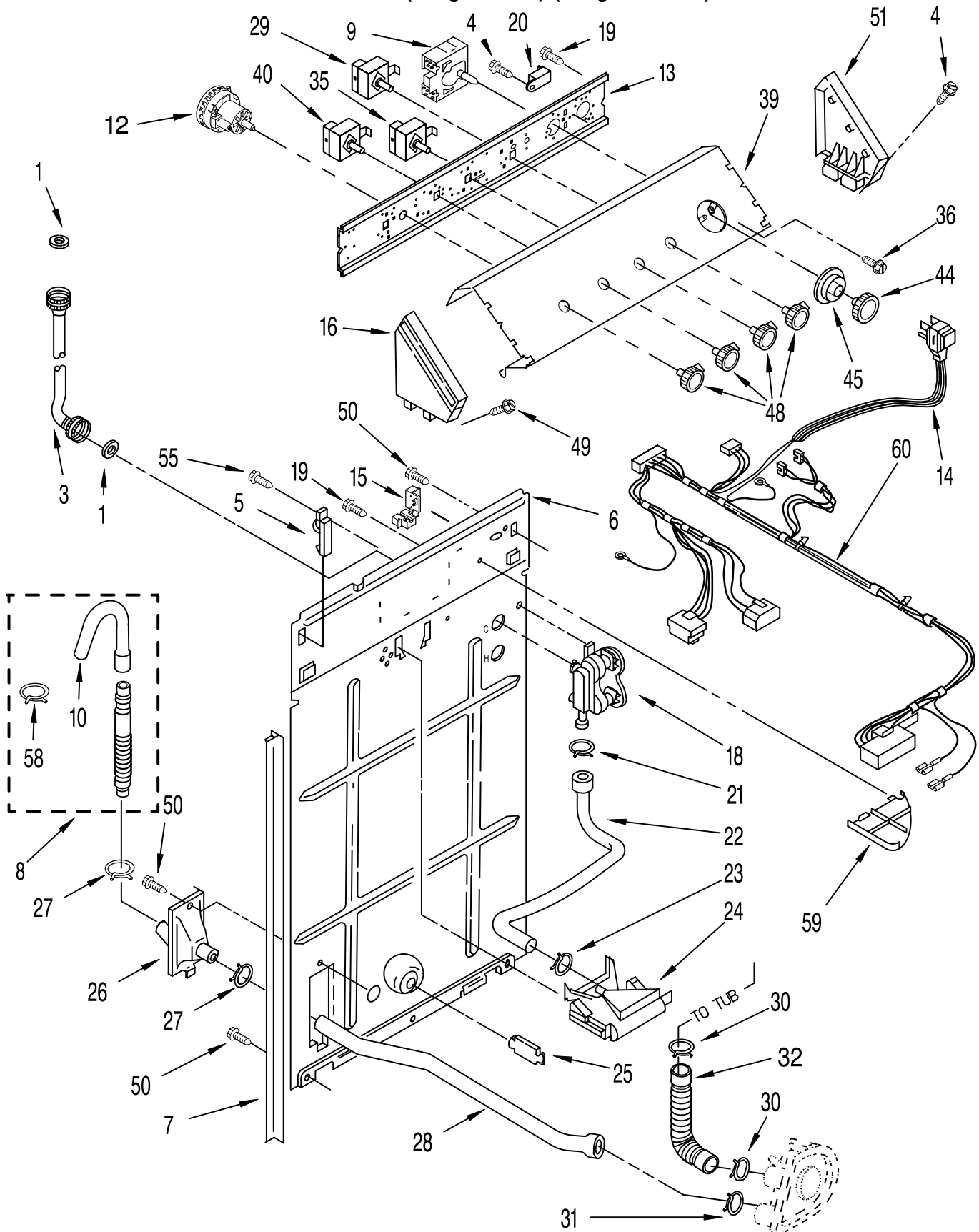
For Models: LSQ9244EQ0, LSQ9244EZ0
(Designer White) (Designer Almond)

Illus. No.	Part No.	DESCRIPTION
1	357213	Nut, Push-In (2)
2		Top
	3949476	For Designer White Model
	3949477	For Designer Almond Model
3	62750	Spacer, Cabinet Top (4)
4	3349654	Cabinet-Sound Damper
5		Cabinet
	63424	For Designer White Model
	63425	For Designer Almond Model
6	62780	Clip, Top & Cabinet & Rear Panel (2)
8	3356311	Screw & Washer, Lid Switch (2)
11	3949237	Switch, Lid
13	3351355	Screw, Lid Hinge Mounting (4)
15	54584	Hinge, Lid (L.H.)
16	54583	Hinge, Lid (R.H.)
17	19119	Bumper, Lid Hinge
18	21258	Bearing, Lid Hinge (2)
19		Lid
	3352718	For Designer White Model
	3352719	For Designer Almond Model
20	358684	Strike, Lid Switch
22	93770	Bumper, Lid (2)
28	384435	Screw, 10-16 x 1/2 (5)
31	90016	Clip, Harness
32	3362952	Dispenser, Bleach

FOR ORDERING INFORMATION REFER TO PARTS PRICE LIST

CONTROLS AND REAR PANEL PARTS

For Models: LSQ9244EQ0, LSQ9244EZ0
(Designer White) (Designer Almond)



FOR ORDERING INFORMATION REFER TO PARTS PRICE LIST

CONTROLS AND REAR PANEL PARTS

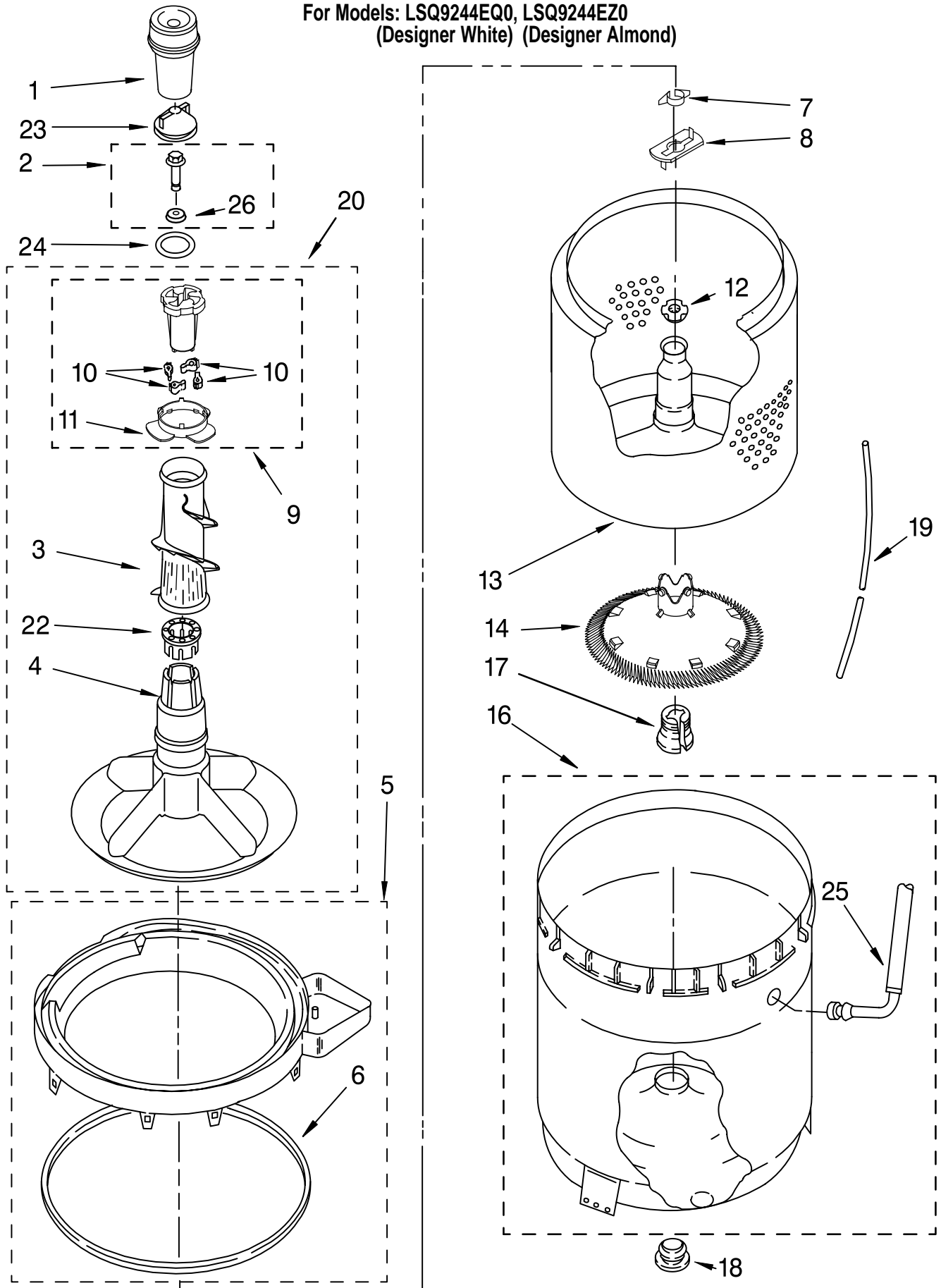
For Models: LSQ9244EQ0, LSQ9244EZ0
(Designer White) (Designer Almond)

Illus. No.	Part No.	DESCRIPTION	Illus. No.	Part No.	DESCRIPTION	Illus. No.	Part No.	DESCRIPTION
1	16123	Washer, Water Inlet Hose (4) (1-1/16 x 5/8)	16		Cap, End (L.H.)	44		Knob, Timer
3		Hose, Water Inlet (2)		3358528	For Designer White Model		3948580	For Designer White Model
	3949368	Hose (Inlet)		3358529	For Designer Almond Model		3948582	For Designer Almond Model
	3949369	Hose (Inlet)	18	3360392	Valve, Water Mixing	45		Dial, Timer
4	90767	Screw, 8A x 3/8	19	90864	Screw, 10-24 x 3/8 (2)		3948587	For Designer White Model
5	387402	Hinge, Console (2)	20	694419	Mini-Buzzer		3948588	For Designer Almond Model
6	3357978	Panel, Rear	21	370451	Clamp, Hose	48		Knob, Control
7	62747	Pad, Rear Panel	22	3357328	Hose, Vacuum Break		3950759	For Designer White Model
8	3951609	Hose, Drain (4 ft.)	23	371503	Clamp, Hose		3950760	For Designer Almond Model
	661577	Hose, Drain (9 ft.) (Not Included)	24	387606	Break, Vacuum	49	388326	Screw, 8-18 (2) (Panel to Top)
	3357090	Extension, Drain Hose (21 Inches) (Not Included)	25	63290	Support, Rear Panel	50	62863	Screw, 10-16 x 3/8
9	3951703	Timer, Control (60 Hz.) (Motor Not A Service Part)	26	3361809	Connector, Drain Hose	51		Cap, End (R.H.)
10	3357027	Nozzle-Drain Hose	27	3366912	Clamp, Hose		3358513	For Designer White Model
12	3366847	Switch, Water Level	28	3359816	Hose, Pump To Drain		3358514	For Designer Almond Model
13	3948608	Bracket, Control	29	3949187	Switch, Cycle	55	3357011	Screw, 10-16 x 1/2
14	3949248	Cord, Power (Power Cord Only Without Harness)	30	371504	Clamp, Hose	58	3366913	Clamp, Drain Hose
15	3949468	Strain Relief, Power Cord	31	660628	Clamp, Hose	59	3348424	Shield, Suds
			32	3950340	Hose, Pump To Tub (Includes #30)	60	3951783	Harness, Wiring (Includes Power Cord) (For Detail See Page 9 & 10) Also See Clips.
			35	661613	Switch, Cycle			
			36	3400808	Screw, Timer Mounting (10-32 x 1) (2)			
			39		Panel, Console			
				3948284	For Designer White Model			
				3948285	For Designer Almond Model			
			40	661614	Switch, Water Temperature			

FOR ORDERING INFORMATION REFER TO PARTS PRICE LIST

AGITATOR, BASKET AND TUB PARTS

For Models: LSQ9244EQ0, LSQ9244EZ0
(Designer White) (Designer Almond)



FOR ORDERING INFORMATION REFER TO PARTS PRICE LIST

AGITATOR, BASKET AND TUB PARTS

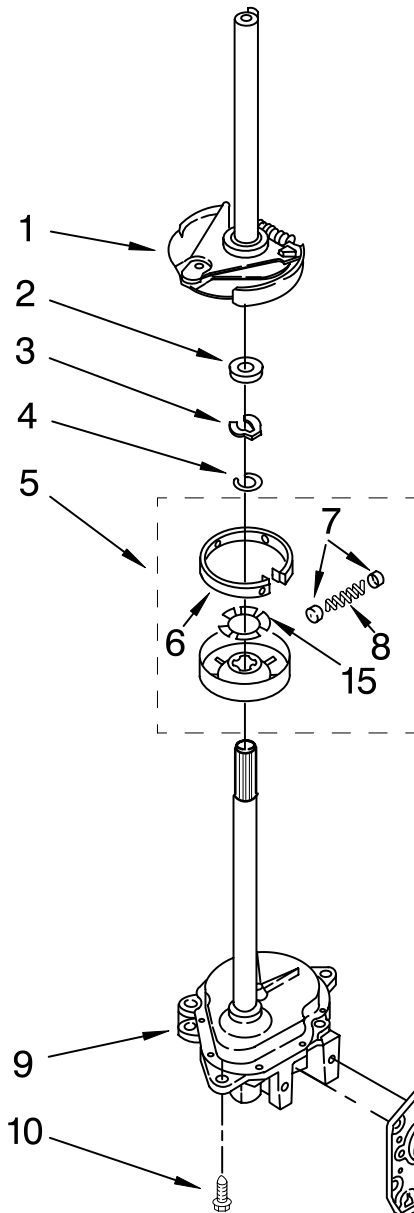
For Models: LSQ9244EQ0, LSQ9244EZ0
(Designer White) (Designer Almond)

Illus. No.	Part No.	DESCRIPTION
1	63580	Dispenser
2	358237	Screw & Washer (5-16-24 x 1)
3	3363003	Clothes Mover
4	3347288	Agitator
5	63851	Tub Ring & Gasket
6	3359585	Gasket, Tub Ring
7	3354845	Clip, Agitator
8	3355921	Washer, Agitator
9	3363663	Cam Driven
10	3366877	Dog, Agitator Clutch
11	3363661	Bearing, Driven Cam
12	21366	Nut, Spanner
13	3350649	Basket & Balance Ring
14	3361948	Filter, Plate
16	388893	Tub (Includes Item 25)
17	389140	Block, Basket Drive
18	383727	Gasket, Centerpost
19	3347780	Hose, Pressure Switch
20	3946501	Agitator (Complete Asy.)
22	3350389	Spacer, Thrust
23	3347290	Cap, Barrier
24	3348855	Seal, Inner Cap
25	3948705	Hose, Bleach
26	3949550	Washer

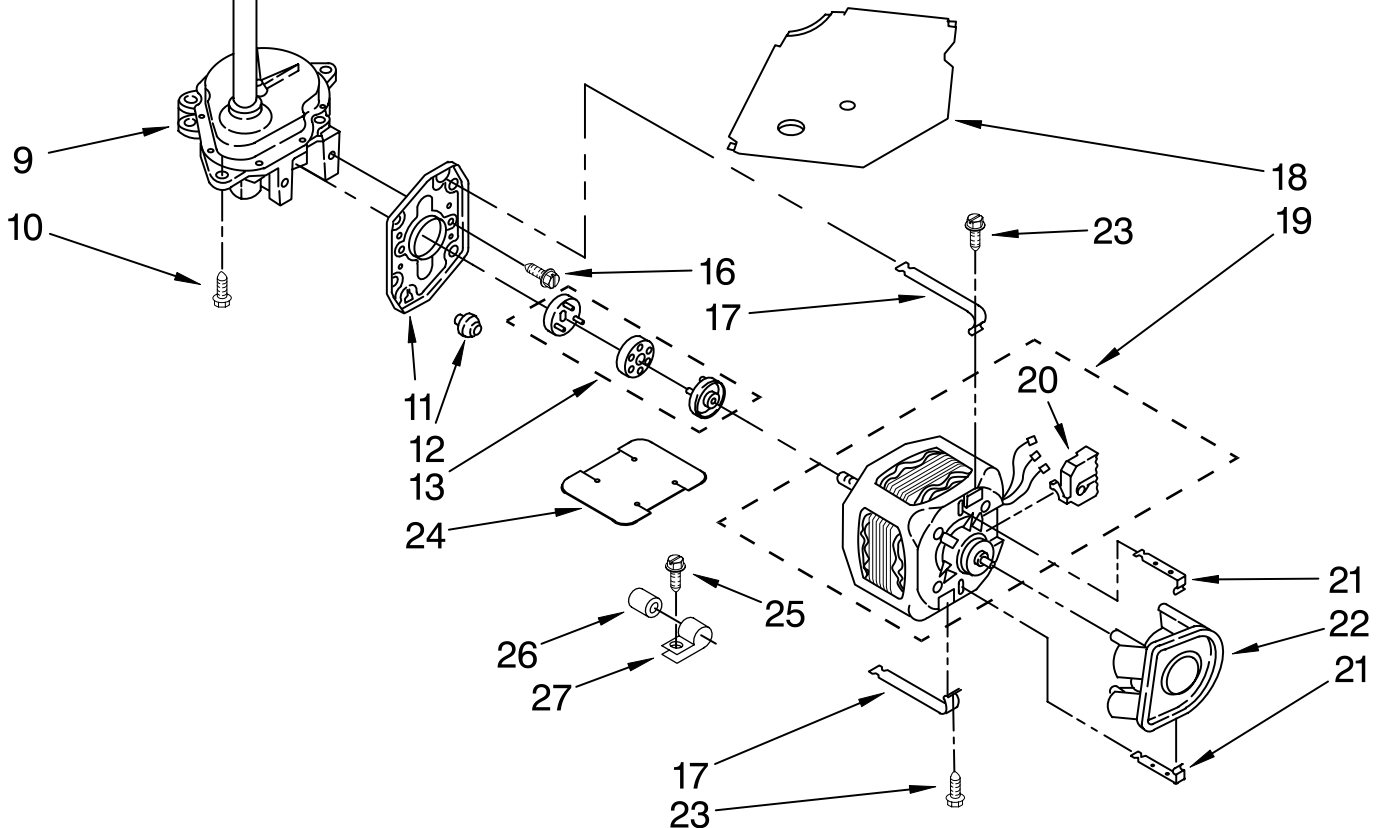
FOR ORDERING INFORMATION REFER TO PARTS PRICE LIST

BRAKE, CLUTCH, GEARCASE, MOTOR AND PUMP PARTS

For Models: LSQ9244EQ0, LSQ9244EZ0
(Designer White) (Designer Almond)



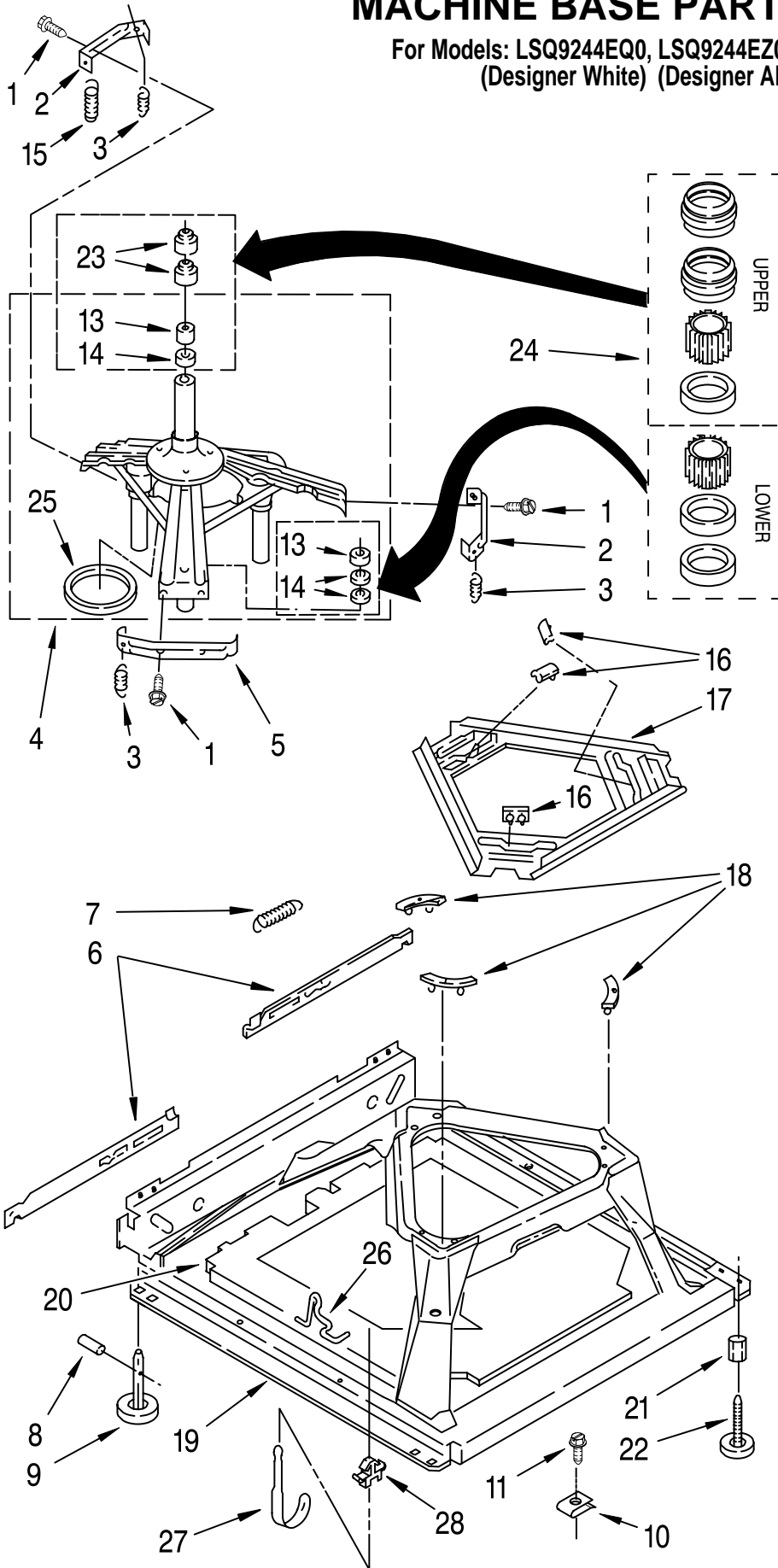
Illus. No.	Part No.	DESCRIPTION	Illus. No.	Part No.	DESCRIPTION
1	388952	Brake & Drive Tube (Complete) (Refer to Page 12 For Further Breakdown)	11	62611	Plate, Motor Mount To Gearcase
2	63292	Washer, Spin Tube Thrust	12	62691	Grommet, Motor (4)
3	62697	Ring, Spin Tube Support	13	3364003	Coupling, Motor & Isolation
4	63283	Ring, Retainer	15	3355454	Clip, Anti-Rattle
5	3951311	Clutch (Complete)	16	3357334	Screw
6	3951308	Band & Lining, Clutch (Includes Illus. 7 & 8)	17	3349637	Retainer, Motor (2)
7	62646	Cap, Clutch Spring (2)	18	3362089	Shield, Tub To Motor
8	3951303	Spring, Clutch	19	661600	Motor, Main Drive
9	3360630	Gearcase (Complete) (Refer To Page 13 For Further Breakdown)	20	62850	Switch, Main Drive Motor
10	3357334	Screw, Gearcase To Base (3)	21	62700	Retainer, Pump (2)
			22	3363892	Pump (Complete)
			23	3387485	Screw, 10-16 x 5/8
			24	3946532	Shield, Motor
			25	62863	Screw, 10-16 x 3/8
			26	357021	Capacitor
			27	357030	Clamp, Capacitor



FOR ORDERING INFORMATION REFER TO PARTS PRICE LIST

MACHINE BASE PARTS

For Models: LSQ9244EQ0, LSQ9244EZ0
(Designer White) (Designer Almond)

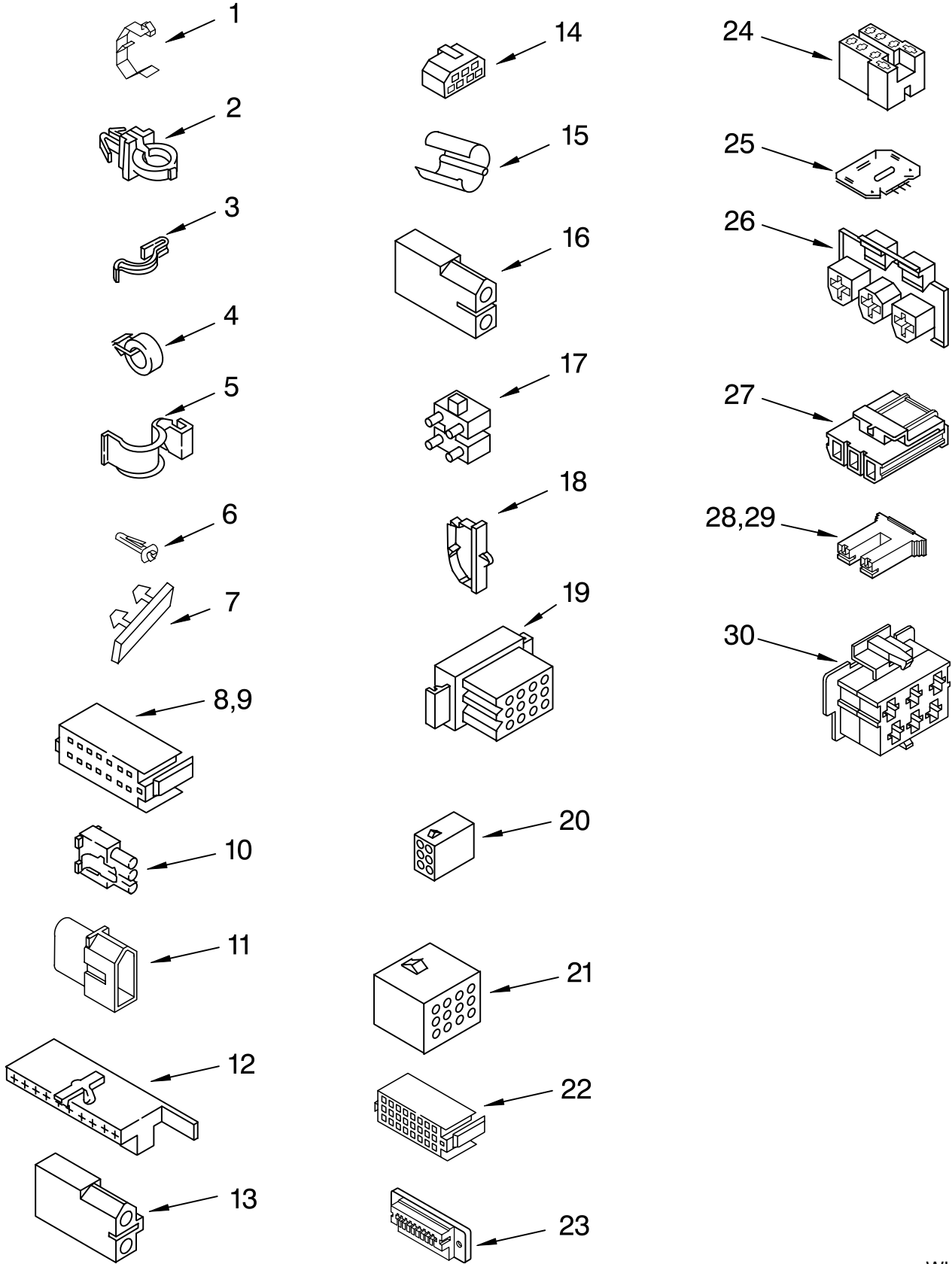


Illus. No.	Part No.	DESCRIPTION
1	3387485	Screw, Bracket Mounting (10-16 x 5/8)
2	64067	Bracket, Spring Outer (2)
3	63907	Spring Suspension,(3)
4	3362087	Support & Brake, Tub
5	64065	Bracket, Spring Outer (L.F.)
6	3348727	Link, Leveling Mechanism (2)
7	62597	Spring, Leveling Mechanism
8	62837	Pin, Knurled
9	62596	Foot, Rear (2)
10	3948989	Clip, Grounding
11	357640	Screw
13	3347047	Bearing, Centerpost (2)
14	357409	Seal, Centerpost (3)
15	388492	Spring, Counterweight
16	62568	Pad, Plate
17	3946509	Plate, Suspension (Includes Illus. 16)
18	3363660	Pad, Base
19	3946512	Base Assembly (Includes Illus. 6, 7, 8, 9, 16, 17, 18 & 26)
20	3948941	Sound-Absorber
21	3359452	Nut, Lock (3/8-16)
22	389102	Foot, Front (2)
23	356934	Seal, Centerpost (2)
24	285203	Centerpost Bearing Kit (Includes Illus. 13, 14 & 23)
25	63134	Ring, Sound Deadening
26	63806	Retainer, Suspension Spring
27	3350281	Hanger-Drain Hose
28	3350282	Clip-Snap In (Drain Hose)

FOR ORDERING INFORMATION REFER TO PARTS PRICE LIST

WIRING HARNESS PARTS

For Models: LSQ9244EQ0, LSQ9244EZ0
(Designer White) (Designer Almond)



WH2F

FOR ORDERING INFORMATION REFER TO PARTS PRICE LIST

WIRING HARNESS PARTS

For Models: LSQ9244EQ0, LSQ9244EZ0
(Designer White) (Designer Almond)

Illus. No.	Part No.	DESCRIPTION	Illus. No.	Part No.	DESCRIPTION	Illus. No.	Part No.	DESCRIPTION
1	3349557	Clip, Harness	13	3348075	Block, Disconnect (Motor 3 Speed) (Use Term. 94613 Or 94614.)	22	3369366	Timer, Block Disconnect (Black) (Amp) (Use Term.3369365)
2	388498	Clip, Harness				23	3349494	Connector, Etc
3	3347812	Clip, Harness	14	3347243	Block, Disconnect (Use Term. 352088)	24	60687	Connector, Relay (Use Term.308569 Or 338664.)
4	3352501	Clip, Harness	15	63523	Protector	25	3407125	E.T.C. Control
5	90016	Clip, Harness	16	717252	Connector (2-Way) (Use Term.94614)	26	3948617	Connector (T.P.A.) (3-Circuit) (Lid Switch) (Use Term. 3948619 OR 3948620.)
6	3390496	Clip, Harness	17	387566	Plug, Terminal (4-Way) (Power Cord) (Use M3 Screws)	27	3360056	Connector (T.P.A.) (3-Circuit) (Pressure Switch) (Use Term.3948619 OR 3948620.)
7	389379	Retainer, (Suds Models)	18	3352944	Clip, Harness	28	3354925	Block, Connector (Cold Valve) (Use Term.693217)
8	352090	Timer, Block Disconnect (White)	19	3390423	Block, Disconnect (12-Way) (Timer) (Use Term. 94613)	29	3354926	Block, Connector (Hot Valve) (Use Term.693217)
9	352089	Timer, Block Disconnect (Black)	20	3347730	Receptacle (6-Way) (Use Term. 94613)	30	3948615	Connector (T.P.A.) (6-Circuit) (Temp. Switch) (Use Term.3948619 OR 3948620.)
10	62889	Receptacle, Terminal (3-Way) (Lid Switch) (Use Term.94613) Or 94614.)	21	388818	Plug, Terminal (12-Way) (Use Term. 94613 Or 94614.)			
11	353424	Plug, Terminal (3-Way) (Power Cord) (Use Term.94613)						
12	62505	Block, Disconnect (Motor 2 Speed) (Use Term.352088)						

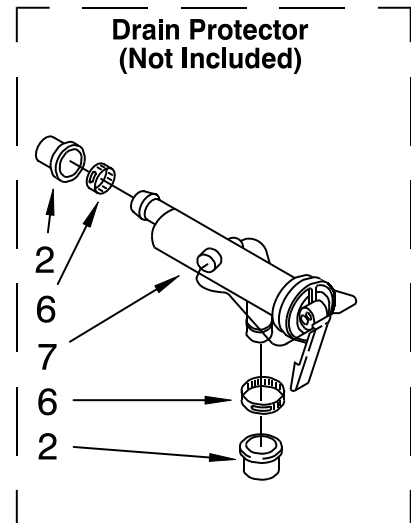
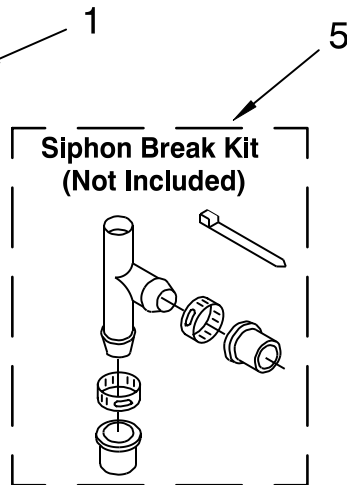
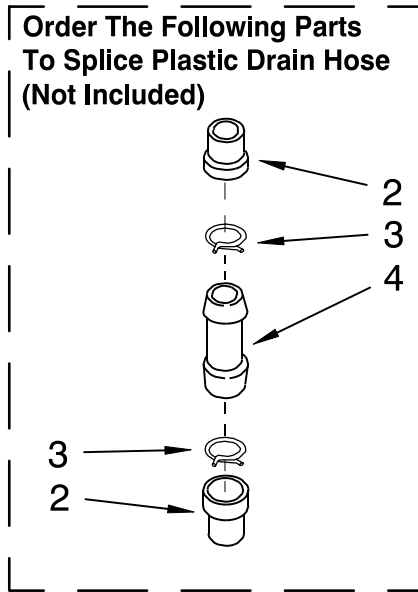
**FOR COMPLETE WIRING HARNESS REFER TO
CONTROL AND REAR PANEL PARTS PAGE**

WH2F

FOR ORDERING INFORMATION REFER TO PARTS PRICE LIST

WATER SYSTEM PARTS

For Models: LSQ9244EQ0, LSQ9244EZ0
(Designer White) (Designer Almond)



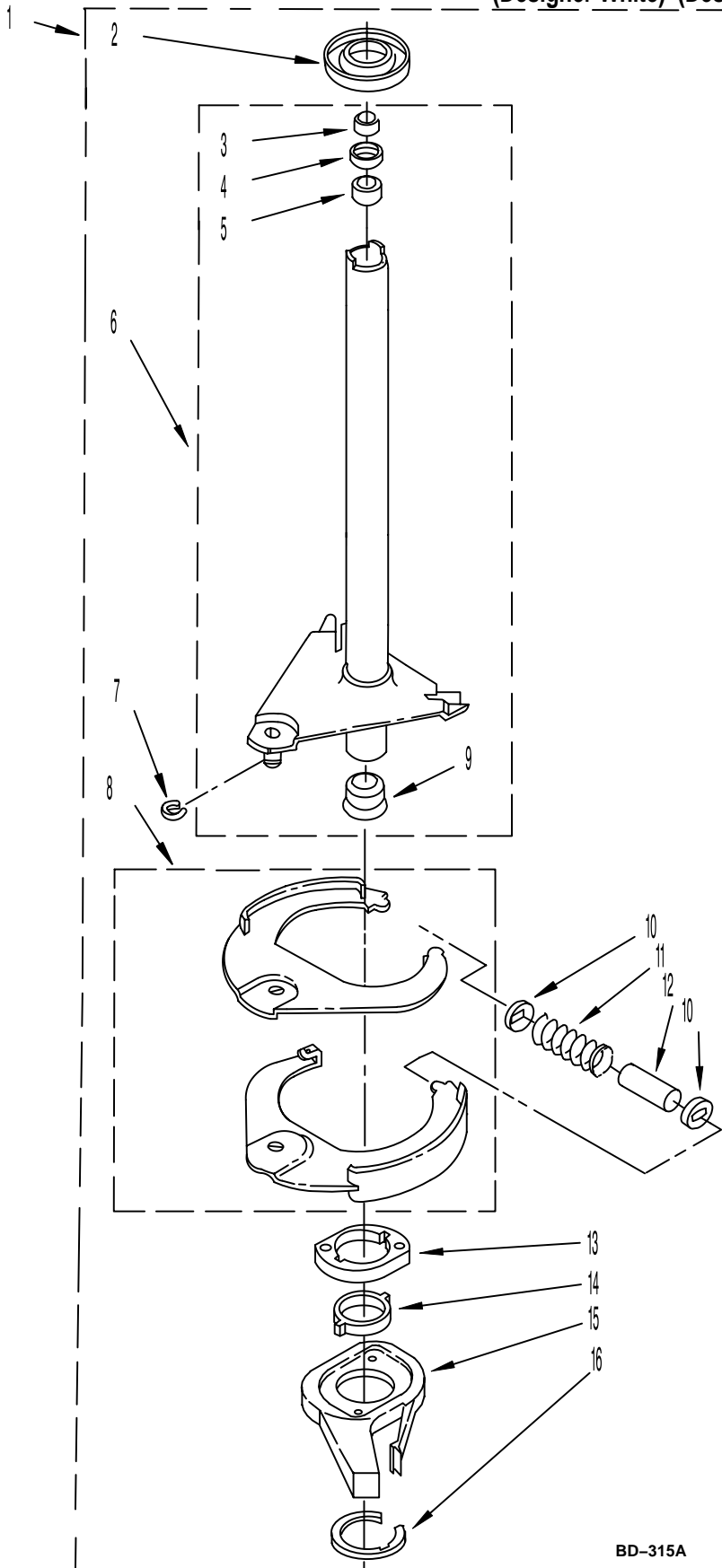
WS400

Illus. No.	Part No.	DESCRIPTION
1	285442	Connector Kit, Plastic Drain Hose
2	285321	Sleeve Kit, (Contains 2 Sleeves)
3	370447	Clamp, Hose
4	16272	Connector, Straight
5	285320	Siphon Break Kit (Not Included)
6	65349	Clamp, Hose
7	367031	Drain Protector (Not Included)

FOR ORDERING INFORMATION REFER TO PARTS PRICE LIST

BRAKE AND DRIVE TUBE PARTS

For Models: LSQ9244EQ0, LSQ9244EZ0
(Designer White) (Designer Almond)



Illus. No.	Part No.	DESCRIPTION
1	388952	Brake And Drive Tube (Complete)
2	62658	Ring, Thrust
3	91939	Seal, Oil
4	356427	Seal, Drive Tube
5	356937	Spacer, Drive Tube
6	64027	Tube, Basket Drive (Includes Illus. 3, 4, 5 & 9)
7	64035	Ring, Retaining
8	64232	Shoe, Brake
9	62703	"T" Bearing, Spin Tube
10	62648	Cap, Brake Spring (2)
11	387806	Spring, Brake
12	62909	Sleeve, Brake Spring
13	63023	Cam, Brake Release
14	63022	Sleeve, Cam
15	64194	Driver, Brake Cam
16	90368	Ring, Retaining

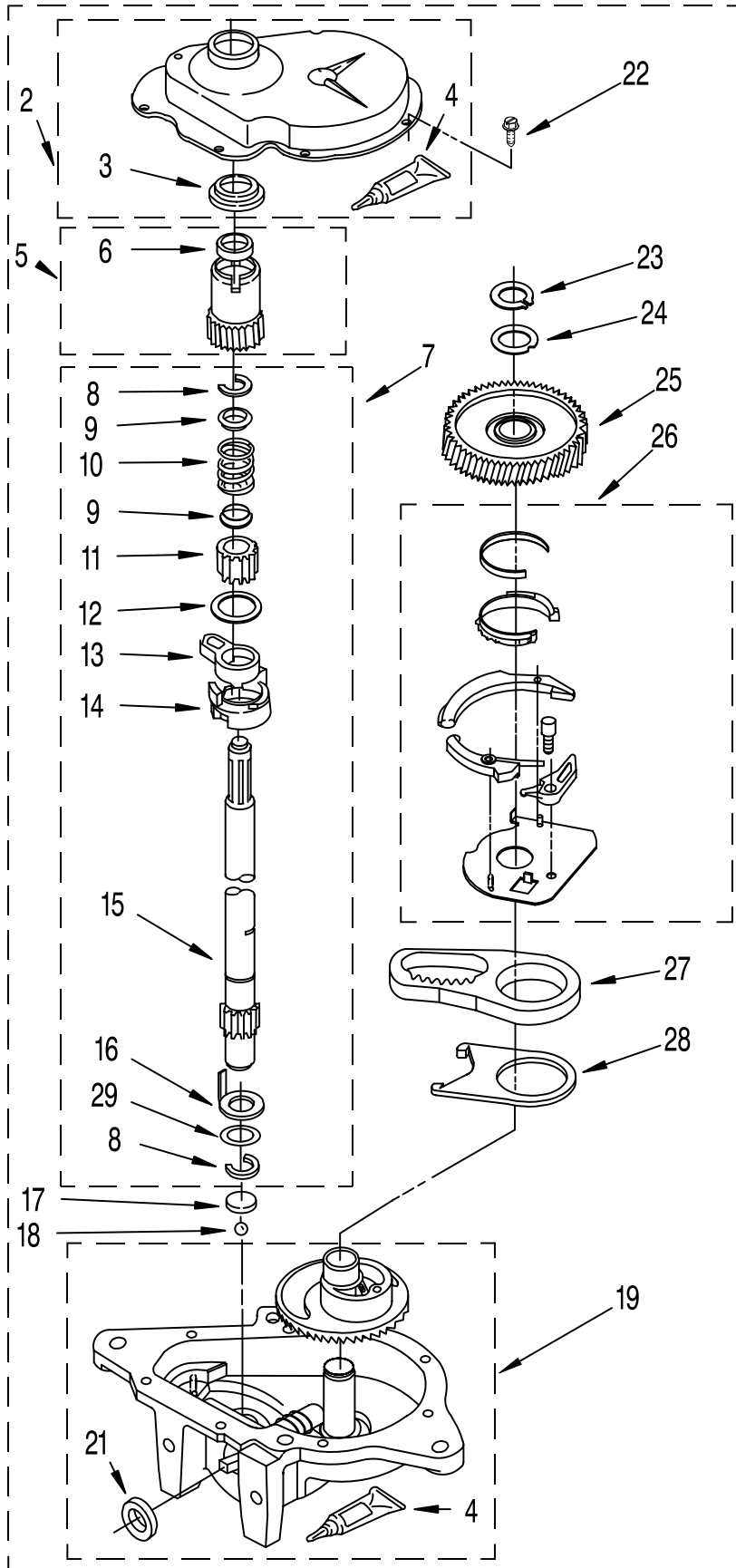
FOLLOWING PARTS NOT ILLUSTRATED

285208 Lubricant
(Use Only In Brake Shoe Assembly On Roller & Pin)

FOR ORDERING INFORMATION REFER TO PARTS PRICE LIST

GEARCASE PARTS

For Models: LSQ9244EQ0, LSQ9244EZ0
(Designer White) (Designer Almond)



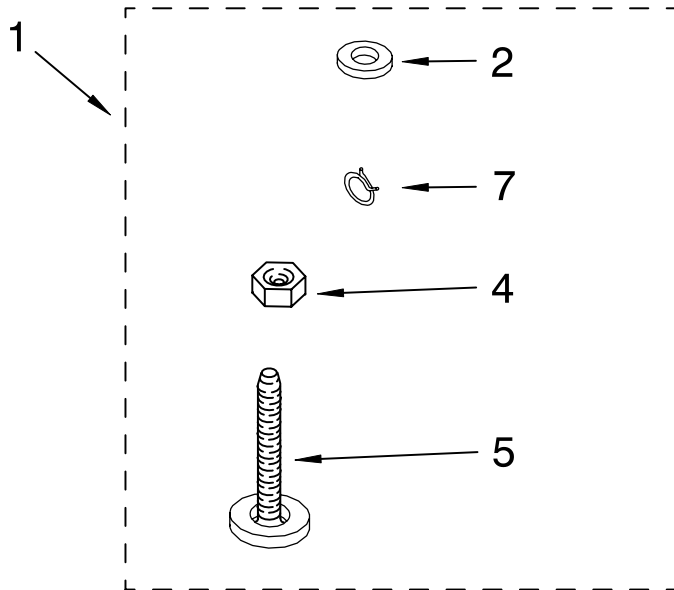
Illus. No.	Part No.	DESCRIPTION
1	3360630	Gearcase (Complete)
2	285202	Cover, Gearcase
3	3349985	Seal, Gearcase Cover
4	285195	Sealer, Gasket (.20 Fl. Oz.) (6 ml)
5	63320	Pinion, Spin (Includes Illus. 25)
6	356427	Seal, Spin Pinion
7	389387	Shaft, Agitator (Complete)
8	90369	Ring, Retaining (2)
9	62677	Retainer, Spring
10	62676	Spring, Agitate
11	63273	Gear, Agitate (Includes 15 and 29)
12	62619	Washer, Agitate Gear
13	62580	Cam Follower (Includes 14)
14	62581	Cam, Agitate (Includes 13)
15	285509	Shaft, Agitator (Includes 11 and 29)
16	62618	Washer, Cam Thrust
17	16018	Bearing, Thrust
18	85529	Ball, Bearing
19	389230	Bottom and Pinion, Gearcase
21	285352	Seal, Thrust Plug
22	3351614	Screw, Gearcase Cover, Mounting (8) (10-24 x 3/8)
23	3362552	Ring, Retaining
24	285735	Washer Kit, Thrust
25	62570	Gear, Spin
26	388253	Neutral Assembly
27	3349296	Rack, Connecting
28	62621	Actuator, Shift
29	388815	Washer, Intermediate

GC-215C

FOR ORDERING INFORMATION REFER TO PARTS PRICE LIST

MISCELLANEOUS PARTS

For Models: LSQ9244EQ0, LSQ9244EZ0
(Designer White) (Designer Almond)



Illus. No.	Part No.	DESCRIPTION
1	3976252	Miscellaneous Parts Bag
2	16123	Washer, Inlet Hose (1-1/16 x 5/8) (4)
4	3359452	Nut, Lock (3/8-16)
5	389102	Foot, Front (2)
7	3366912	Clamp, Hose

LITERATURE AND OPTIONAL PARTS

Illus. No.	Part No.	DESCRIPTION
------------	----------	-------------

LITERATURE PARTS

LIT3950952	Sheet, Installation Instructions
LIT3366864	Guide, Use and Care
LIT3949009	Energy Guide
LIT3951704	Label, Wiring Diagram

Following May Be Purchased

DO-IT-YOURSELF REPAIR MANUALS

LIT4313896	Manual (Washer)
------------	-----------------

Illus. No.	Part No.	DESCRIPTION
------------	----------	-------------

OPTIONAL PARTS NOT INCLUDED

PAINT, TOUCH-UP (1/2oz.)

72017	White
72107	Almond
72110	Golden Harvest

PAINT, PRESSURIZED SPRAY (13 oz.)

350938	Primer, Gray
350930	White
350956	Almond
261890	Golden Harvest

PAINT, BULK (1 qt.)

799344	White (Uncut)
978883	Almond (Uncut)
261891	Golden Harvest (Uncut)

OIL

350572	Oil, Gearcase (16 Oz.)
--------	------------------------

Illus. No.	Part No.	DESCRIPTION
------------	----------	-------------

LUBRICANT

285208	Lubricant (Use Only in Brake Shoe Assembly On Roller and Pin)
--------	---

SEALER

285195	Sealer, Gasket (.20 Fl. Oz.) (6 ml)
--------	-------------------------------------

SHIPPING KIT

3348675	Shipping Kit
---------	--------------

ACCESSORY PARTS

89121	Stand-Pipe Kit
367031	Drain Protector
285320	Siphon Break Kit

FOR ORDERING INFORMATION REFER TO PARTS PRICE LIST

Free Manuals Download Website

<http://myh66.com>

<http://usermanuals.us>

<http://www.somanuals.com>

<http://www.4manuals.cc>

<http://www.manual-lib.com>

<http://www.404manual.com>

<http://www.luxmanual.com>

<http://aubethermostatmanual.com>

Golf course search by state

<http://golfingnear.com>

Email search by domain

<http://emailbydomain.com>

Auto manuals search

<http://auto.somanuals.com>

TV manuals search

<http://tv.somanuals.com>