

# Installation Instructions



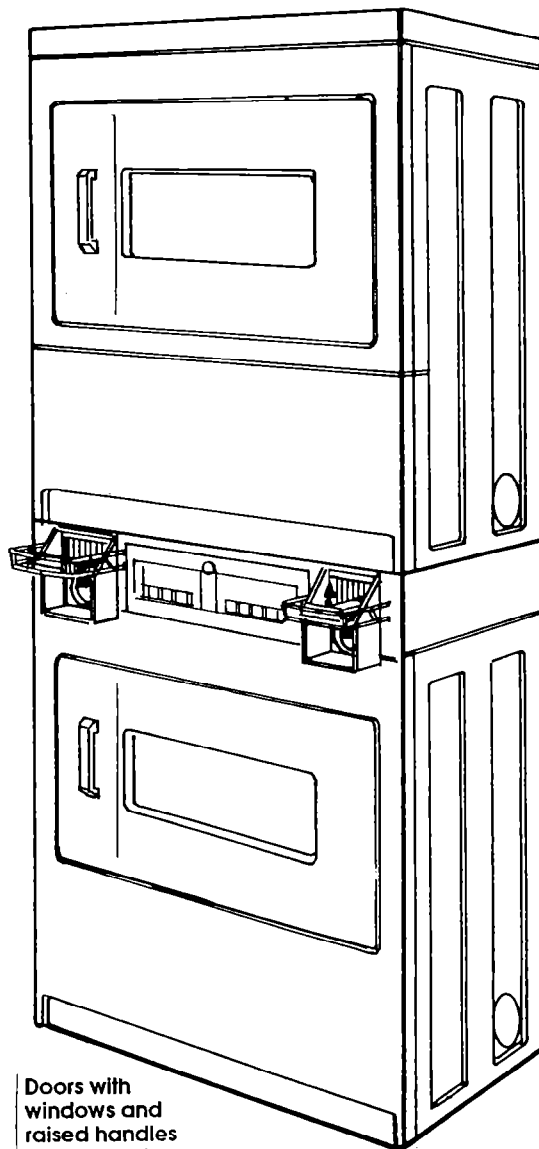
## Coin-Operated Stacked Dryers

**Electric**

**IMPORTANT:  
Read and save  
these instructions.**

Important:

- Read these instructions before you start to install the dryers.
- Save Installation Instructions for local electrical inspectors use.
- Keep Installation Instructions for future reference.



Doors with  
windows and  
raised handles  
not available  
on all models.

8/93

Part No. 3390148 Rev. D

# Before you start...

Check location where dryers will be used. Proper installation is your responsibility. The dryers must not be installed or stored in an area where they will be exposed to water and/or weather. Make sure you have everything necessary for correct installation.

Each of the dryers is equipped with a timer, selector switches and indicator lights. The timers are set to provide 45 minutes (4 pins) of drying time when activated by the coin slide. Timer cams for 30-minute (6 pins) and 60-minute (3 pins) drying time are supplied with the unit in the parts bag. See Pages 9 and 10 for timer cam changing instructions.

The coin slide mechanisms, control panel lock and key, coin box, and coin box locks and keys are not included and are available from usual industry sources.

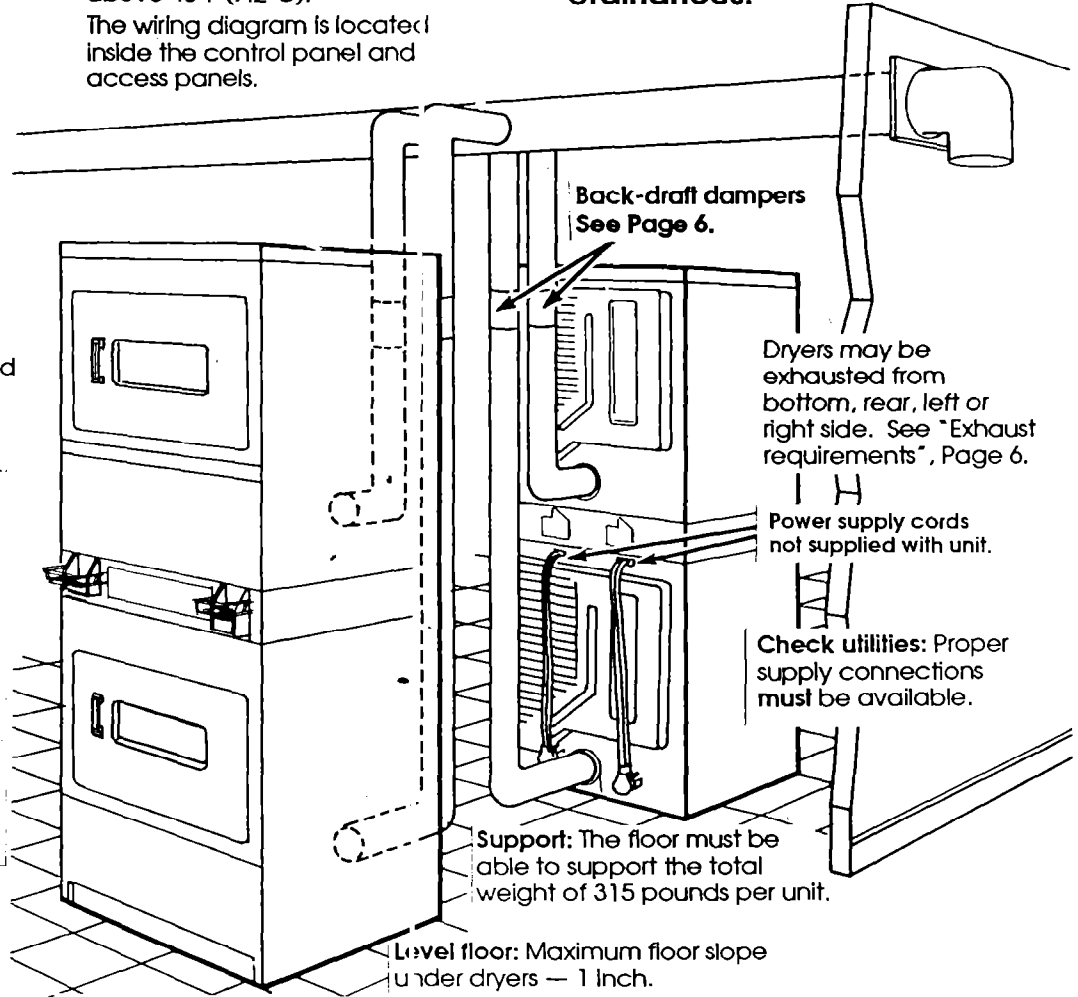
Grounded electrical outlet is required. See "Electrical requirements", Page 3.

Location must be large enough to fully open dryer doors. See Page 9 for recessed area requirements and product dimensions.

Protection from weather: Proper operation requires temperatures above 45°F (7.2°C).

The wiring diagram is located inside the control panel and access panels.

**Important: Observe all governing codes and ordinances.**



## ⚠ WARNING

### Personal Injury Hazard

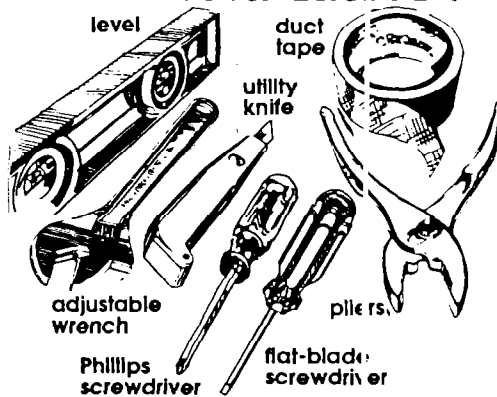
More than one person is required to lift, tilt, or move the dryers because of their weight and size. Failure to follow these instructions may result in personal injury.

### Fire Hazard

- Do Not use or store gasoline, paint, thinners and other flammable materials near dryers.
- Never install dryers up against draperies or curtains or on carpet.
- Keep any and all items from falling or collecting behind the dryers.
- Replace all access panels before operating dryers.

Failure to follow these instructions could result in a fire or explosion.

## Tools needed for installation:



## Parts supplied for installation:

- 2 slide protectors
- 2 slide extensions
- 2 bolt and washer assemblies
- 8 screws
- 2, 30-minute cams
- 2, 60-minute cams
- 4, 3/4" wood screws

## Parts owner must supply:

- 1 control panel lock and key
- 2 coin vaults and keys  
E.S.D. vault must have projecting lock
- 2 coin slide mechanisms (vertical 8)
- 2 power cords

Parts may be ordered from Greenwald Industries, Inc. or Equipment Systems and Devices, Inc.

• Greenwald Industries, Inc.  
1340 Metropolitan Avenue  
Brooklyn, NY 11237  
telephone (718) 821-9000 or  
toll free (800) 221-0982  
fax no. (718) 417-7412

• Equipment Systems and Devices, Inc.  
1401 Dreshertown Road  
P.O. Box 618  
Dresher, PA 19025  
telephone (215) 628-0860  
fax no. (215) 643-4623

# Electrical requirements

OBSERVE ALL GOVERNING CODES AND ORDINANCES.

## ⚠ WARNING

### Electrical Shock Hazard

- Electrical ground is required on this appliance.
- If cold water pipe is interrupted by plastic, non-metallic gaskets, or other insulating materials, Do Not use for grounding.
- Do Not ground to a gas pipe.
- Do Not modify the power supply cord plugs. If plugs will not fit the outlets, have proper outlets installed by a qualified electrician.
- Use new 30-ampere power supply cord kits. Do Not reuse old power supply cords. Possible electrical shock or fire could occur if old power supply cords are used.
- Do Not have a fuse in the neutral or grounding circuit. A fuse in the neutral or grounding circuit could result in an electrical shock.
- Do Not use an extension cord with this appliance.
- Check with a qualified electrician if you are in doubt as to whether the appliance is properly grounded.
- Do Not plug the power supply cords (pigtailes) into a live wall receptacle before connecting the pigtailes to the dryer terminal blocks. Read "Direct wiring connection", Pages 4 and 5 for detailed instructions.

Failure to follow these instructions could result in serious injury or death.

If codes permit and a separate grounding wire is used, it is recommended that a electrician determine that the grounding path is adequate.

It is the personal responsibility and obligation of the customer to contact a qualified electrician to assure that the electrical installation is adequate and in conformance with National Electrical Code ANSI/NFPA 70—latest edition, and all local codes and ordinances. Allow slack in the line between the wall and the appliance so that it can be moved if servicing is ever necessary.

This appliance must be connected to copper wire only.

A 3/4", U.L.-listed strain relief must be provided at each end of the power supply cables (at the appliance and at the junction box).

1. A three-wire, single phase, 120/240-volt, 60-Hz, AC-only, electrical supply (or three-wire, 20/208-volt if specified on nameplate) is required on a separate, 30-ampere circuit, fused on both sides of the line. (Time-delay fuse or circuit breaker is recommended.) The wiring diagram is located inside the control panel and access panels.



3-wire, 30-amp receptacle (10-30R)

Figure 1

Typical 30-ampere receptacle for use where local codes permit use of flexible power supply cords (pigtailes).

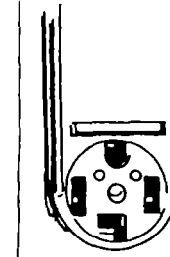
2. Local codes may permit the use of U.L.-listed, 120/240-volt minimum, 30-ampere dryer power supply cord kits (pigtailes). The cords contain three, No.-10 copper wires and match three-wire receptacles of NEMA Type 10-30R, shown in Figure 1. Connectors on the dryer end must be ring terminals or spade terminals with upturned ends. U.L.-listed, 3/4" strain reliefs must be provided at the point the power supply cords enter the appliance.

3. This appliance can be connected directly to the fuse disconnect or circuit breaker box through flexible armored or nonmetallic sheathed, 10-gauge minimum, copper cable. A 3/4", U.L.-listed strain relief must be provided at each end of the power supply cables (at the appliance and at the junction box).

4. For four-wire installation, the appliance wiring must be revised. The appliance cabinet must not be grounded to the neutral terminal, but must be connected to the grounding wire (green) of the power supply cords.

When four-wire receptacles of NEMA Type 14-30R are used, (see Figure 2) matching 120/240-volt minimum, 30-ampere, U.L.-listed dryer power supply cord kits (pigtailes) must be used. The cords contain four, No.-10 copper conductors with ring terminals or spade terminals with upturned ends on dryer end terminating in a NEMA type 14-30P plug on supply end. The fourth (grounding) conductor must be identified by a green or green/yellow cover and the neutral

conductor by a white cover. Cords should be Type SRD or SRDT, with 3/4", U.L.-listed strain reliefs and be at least 4 feet long. The four-wire power supply cords and strain reliefs are not provided with the dryers.



4-wire, 30-amp receptacle (14-30R)

Figure 2

## Alternate electrical connection

## ⚠ WARNING

### Electrical Shock Hazard

- Electrical ground is required on this appliance.
- This appliance must be connected to a grounded metal, permanent wiring system; or an equipment-grounding conductor must be run with the circuit conductors and connected to the equipment-grounding terminal or lead on the appliance.
- Disconnect power supply cord from the electric supply before making these changes. Failure to do so may result in personal injury.

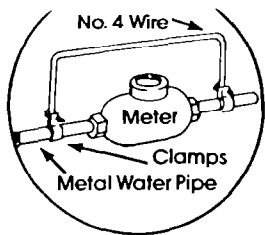
Failure to do so may result in electrical shock or personal injury.

This appliance is manufactured with the neutral terminal connected to the cabinet.

## To connect a separate grounding wire—

Use grounding wire and clamp assembly (Part No. 685463) or No.-10 gauge minimum, copper grounding wire. Connect grounding wire to a grounded cold water pipe\* with the clamp and then to the external grounding connector on the dryers. Do Not ground to a gas supply pipe or hot water pipe. Do Not connect the power supply cords to electric power supply until the dryers are permanently grounded.

Do Not ground to a gas supply pipe or hot water pipe. Do Not connect the power supply cords to electric power supply until the dryers are permanently grounded.

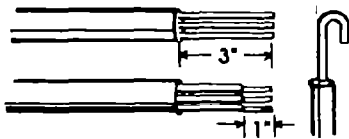


**Figure 3**

\*Grounded cold water pipe must have metal continuity to electrical ground and not be interrupted by plastic, rubber or other electrical insulating connectors such as hoses, fittings, washer or gaskets (including water meter or pump). Any electrical insulating connector should be jumped as shown in Figure 3 with a length of No.-4 wire securely clamped to bare metal at both ends.

### Direct wiring connection

1. Strip the outer covering back 3 inches from the end exposing the three wires.
2. Strip the insulation back 1 inch from the end of each wire. Form the bare wires into a "U"-shaped hook.



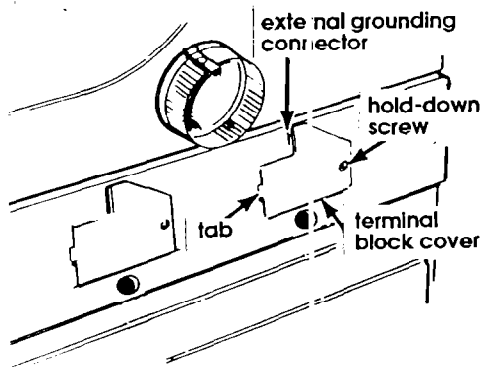
Direct wiring connection

**Figure 4**

3. Loosen, do not remove, the center, silver-colored screw of the terminal block.
4. Slide the end of the neutral (white or center) wire under the screw head with the open side of the screw hook on the right. Squeeze the wire together to form a loop.
5. Tighten the screw firmly.
6. Connect the remaining 2 wires to the outer screws the same way.
7. Tighten strain relief screws firmly.

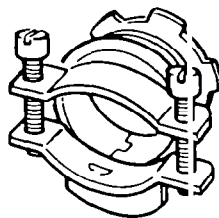
## A.

If local codes permit connection of cabinet-grounding conductors to the neutral wires of the power supply cords:



**Figure 5**

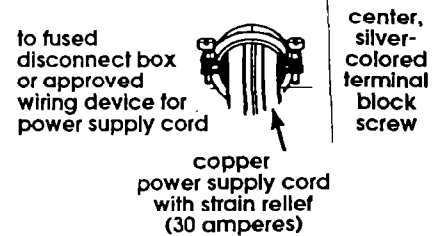
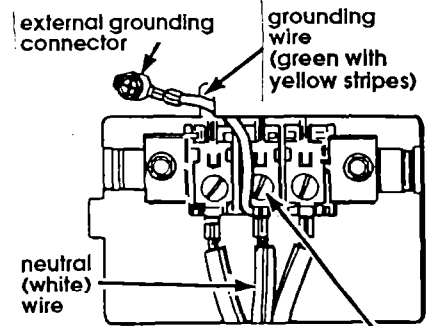
1. Disconnect the power supply.
2. Remove the terminal block covers by removing the screw shown in Figure 5.



Rear panel  
3/4", U.L.-listed  
strain relief (outside dryer)

**Figure 6**

3. Attach a 3/4", U.L.-listed strain relief to each dryer through the power supply cord holes. (See Figure 6.) Tighten each strain relief firmly to cabinet. Place a power supply cord or direct wire through each strain relief.



### Grounded Neutral

**Figure 7**

4. Connect the neutral wire of each power supply cord to the center, silver-colored terminal of the terminal blocks. Connect the other wires to the outer terminals. (See Figure 7.) Tighten screws.
5. Replace the terminal block covers by first installing the tab of each cover into the slot of the dryer rear panel. (See Figure 5.) Secure the covers with the mounting screws.
6. Tighten the strain relief clamps on the power supply cords. (See Figure 6.)

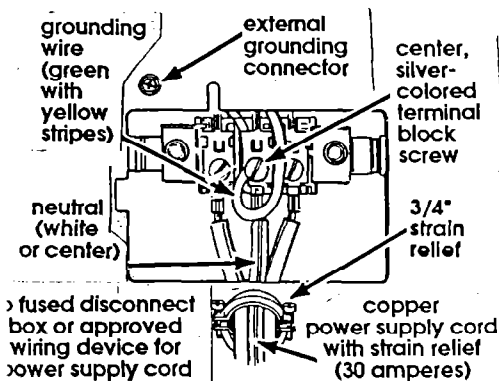
## B.

If local codes DO NOT permit cabinet-grounding to the neutral wires of the power supply cords:

1. Disconnect the power supply.
2. Attach a 3/4", U.L.-listed strain relief to each dryer through the power supply cord holes. (See Figure 6.) Tighten each strain relief firmly to the cabinet. Place the power supply cord or direct wire through each strain relief. Tighten screws firmly.

3. Remove the grounding wires (green with yellow stripes) from the external grounding connectors and fasten under the center, silver-colored terminal block screws.

Connect separate copper grounding wire from external grounding connector to approved ground.



Ungrounded neutral

Figure 8

4. Connect the neutral wire of each power supply cord to the center, silver-colored terminals of the terminal blocks. Connect the other wires to the outer terminals. (See Figure 8.) Tighten screws. For connecting plain-end field wire, see "Direct wiring connection", Page 4.

5. Connect separate, copper grounding wires (No. 10 minimum) to a grounded, metal cold water pipe\* by means of a clamp and then to the cabinet of the appliance at the external grounding connectors. Use Part No. 685463 grounding wire and clamp assemblies. Do Not ground to a gas supply or hot water pipe. Do Not connect the power supply cords to the electric power supply until both dryers are permanently grounded. (See Figure 9.)

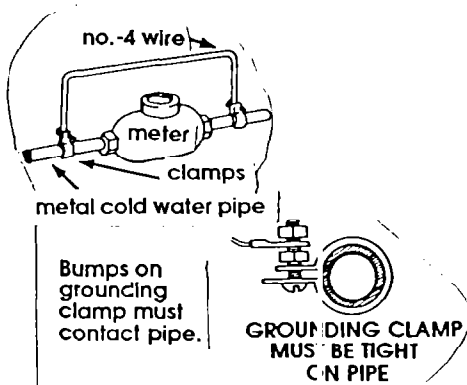


Figure 9

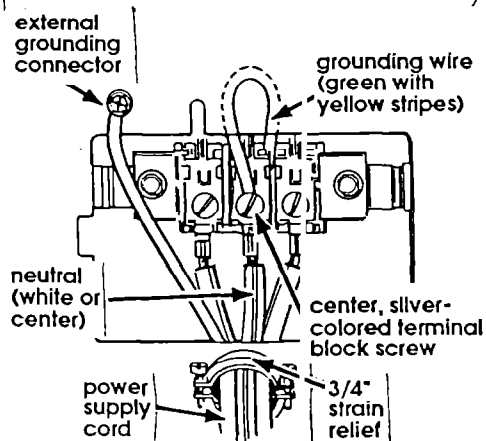
\* Grounded, cold water pipe must have metal continuity to electrical ground and not be interrupted by plastic, rubber or other electrical insulating connectors such as hoses, fittings, washer or gaskets (including water meter or pump). Any electrical insulating connector should be jumped as shown with a length of No. 4 wire securely clamped to bare metal at both ends.

6. Replace terminal block covers.

7. Tighten strain relief clamps on power supply cords. (See Figure 6.)

### Four-wire connection

When four-wire, NEMA-type 14-30R receptacles are used, matching 120/240-volt, 30-ampere, U.L.-listed dryer power supply cord kits (pigtails) must be used. The cords contain four, No. 10, copper conductors with ring terminals or spade terminals with upturned ends on dryer end, terminating in a NEMA-type 14-30P plug on supply end.



4-wire ungrounded neutral

Figure 10

1. Disconnect the power supply.
2. Remove the terminal block covers by removing the screw shown in Figure 5.

3. Attach a 3/4", U.L.-listed strain relief to each dryer through the power supply cord holes. (See Figure 6.) Tighten each strain relief firmly to cabinet. Place a power supply cord or direct wire through each strain relief. Tighten screws firmly.

4. Remove the grounding wire (green with yellow stripes) from each external grounding connector and fasten under the center, silver-colored, terminal block screws. Tighten screws.

5. Connect the grounding wire (green with yellow stripes) of the copper, 4-wire, power supply cord or cable to the external grounding connector. Repeat with the other grounding wire.

6. Connect the neutral (white) wire of each power supply cord to the center, silver-colored terminal screws of the terminal blocks. Connect the other wires to the outer terminals. Tighten screws. (See Figure 10.) For plain-end wires, see "Direct wiring connection", Page 4.

7. Replace the terminal block covers by first installing the tab of each cover into the slot of the dryer rear panel. (See Figure 5.) Secure covers with the mounting screws.

8. Tighten strain relief clamp on power supply cords.

# Exhaust requirements

Exhaust materials are not supplied.

## ⚠ WARNING

### Fire Hazard

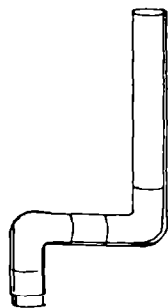
- Do Not use non-metal, flexible duct.
- Do Not use metal duct smaller than four inches in diameter.
- Do Not use exhaust hoods with magnetic latches. Improper air supply for exhausting may result in a fire.
- Check that exhaust system is not longer than specified. Exhaust systems longer than specified will:
  - Accumulate lint.
  - Shorten the life of the product.
  - Reduce performance, resulting in longer drying times and increased energy usage.

Failure to follow specifications may result in a fire.

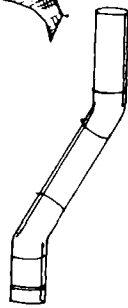
- Dryers must be exhausted to the outside.
- Do Not exhaust dryers into chimney, furnace cold air duct, attic or crawl space, or any other duct used for venting.
- Clean the exhaust system frequently.
- Do Not install flexible duct under wall, ceiling or floor materials.

Accumulated lint could result in fire or cause moisture damage.

Use duct tape to seal all joints.



good exhaust airflow



better exhaust airflow

Four-inch metal exhaust duct is required. Plan installation to use the fewest number of elbows and turns.

Page 6

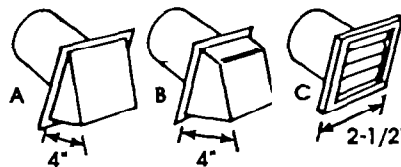
**Metal flexible duct** must be fully extended and supported when the dryers are in final position. DO NOT KINK OR CRUSH THE DUCT. The metal flexible duct must be completely open to allow adequate exhaust air to flow.

Allow as much room as possible when using elbows or making turns. Bend duct gradually to avoid kinking. Remove excess flexible duct to avoid sagging and kinking that may cause reduced air flow.

The exhaust ducts can be routed up, down, left, right or straight out the back of the dryers. The lower dryer can also be exhausted through the bottom of the dryer. Product dimensions and recessed area requirements are given on Page 9.

For exhaust systems not covered by the exhaust length chart, see Whirlpool Service Manual, "Exhausting Whirlpool Dryers", Part No. 603197, available from your Whirlpool parts distributor.

**Rear Exhaust:** The maximum length of the exhaust system depends on the type of duct, the number of elbows, and the type of exhaust hood. The maximum length for both rigid and flexible duct is shown in the chart.



Number of 90° turns	Exhaust Hood Type			
	A	B	C	
0	43 Ft.	41 Ft.	35 Ft.	Maximum length of 4" dia. rigid metal duct.
1	33 Ft.	31 Ft.	25 Ft.	
2	23 Ft.	21 Ft.	15 Ft.	
0	30 Ft.	29 Ft.	24 Ft.	Maximum length of 4" dia. flexible metal duct.
1	24 Ft.	23 Ft.	13 Ft.	
2	16 Ft.	15 Ft.	10 Ft.	

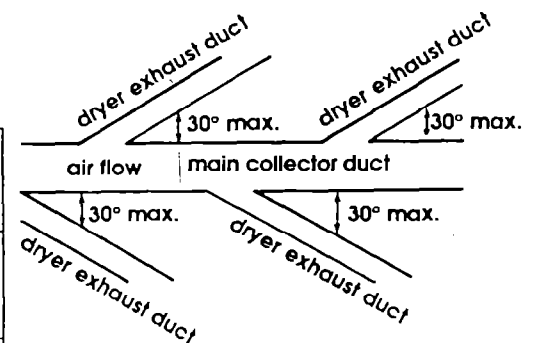
**Side or Bottom Exhaust:** The maximum length of the exhaust system if dryer is exhausted out the side or bottom is 16 feet with two external elbows and hood.

**Service check:** The back pressure in any exhaust system used must not exceed 0.6 inches of water column measured with an inclined manometer at the point that the exhaust system connects to the dryers.

If the dryers are installed in a confined area, they must be exhausted to the outside and provision must be made for enough air for combustion and ventilation. Check governing codes and ordinances. Also refer to the "Recessed area and closet installation instructions," Page 9.

An exhaust hood should cap the exhaust duct to prevent exhausted air from returning into the dryers. The outlet hood must be at least 12 inches from the ground or any object that may be in the path of the exhaust.

A main exhaust duct can be used for exhausting a group of dryers. Main exhaust duct should be sized to remove 200 CFM of air per dryer. Large-capacity lint screens of proper design may be used in the main exhaust duct if checked and cleaned frequently. The room where the dryers are located should have make-up air equal to or greater than the CFM of all the dryers in the room.



Back-draft damper kits (Part No. 3391910) are available from your Whirlpool dealer and should be installed in each dryer's exhaust duct to prevent exhausted air from returning into the dryers and to keep the exhaust in balance within the main exhaust duct. Unobstructed air openings are required.

Each exhaust duct should enter the main duct at an angle pointing in the direction of the airflow. Ducts entering from the opposite side should be staggered to reduce the exhausted air from interfering with the other ducts.

The maximum angle of each duct entering the main duct should be no more than 30°.

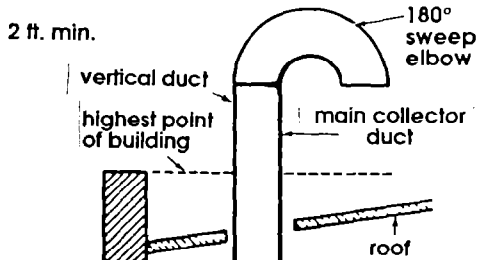
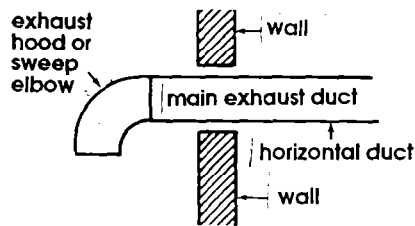
## CAUTION

### Product Damage

Keep air openings free of dry-cleaning fluid fumes. Fumes create acids which, when drawn through the dryer heating units, can damage dryers and loads being dried.

A clean-out cover should be located on the main exhaust duct for periodically cleaning the exhaust system.

An exhaust hood should cap the outside end of the main duct to prevent exhausted air from returning to the dryers. If an exhaust hood cannot be used, the outside end of the main duct should have a sweep elbow directed downward. If the main duct travels vertically through the roof, rather than through the wall, install 180° sweep elbow on the end of duct at least 2 feet above the highest part of the building. The opening wall or roof shall have a diameter 1/2 inch larger than the exhaust duct diameter. The exhaust duct should be centered in the opening.



Do Not install screening or cap over end of duct.

# Exhaust duct connection

## WARNING

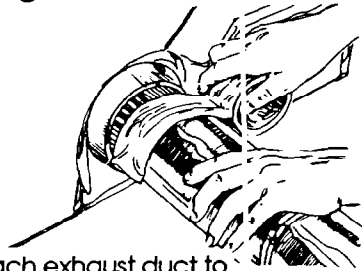
### Electrical Shock Hazard

Disconnect both power supply cords before making these changes. Failure to do so may result in electrical shock or personal injury.

Determine which direction you need to attach the exhaust ducts to the dryers. Both dryers can be exhausted straight out the back or from the right or left side. The lower dryer can also be exhausted through the bottom.

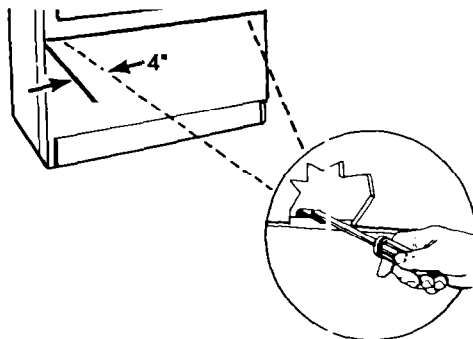
Next, determine the length of exhaust duct you will need to connect the dryers to exhaust hoods or the main exhaust.

### To connect exhaust duct straight out the back —



Attach exhaust duct to each dryer duct. Then connect exhaust ducts to exhaust hoods or main exhaust. Use duct tape to seal all joints.

### To connect exhaust duct through the right or left side —

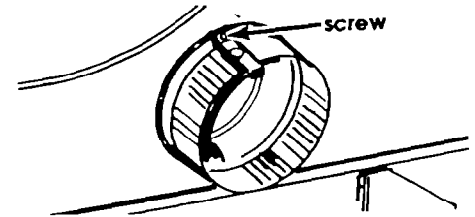


1. Remove access panel by releasing two locking clips with a small, flat-blade screwdriver. The clips are located four inches in from each side of the access panel. Repeat for other access panel.

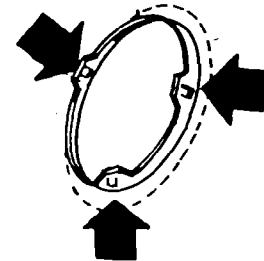
## WARNING

**Personal Injury Hazard**  
Wear gloves to protect hands from sharp edges that may be present. Failure to do so may result in personal injury.

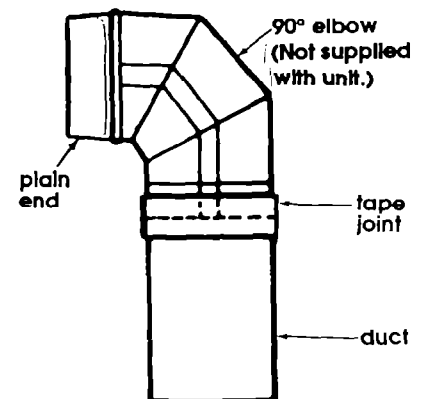
2. Remove the duct tape from the internal exhaust duct and the straight duct. Repeat for the other dryer.



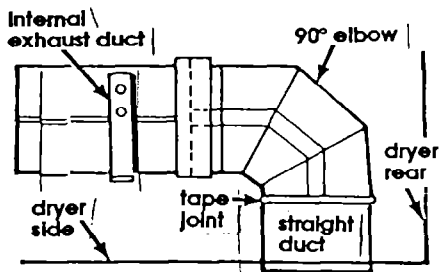
3. Remove the screw from the duct clip that attaches the straight duct to the back of the cabinet. Depress the clip and remove the straight duct using a twisting motion through the rear exhaust opening. Repeat for the other dryer.



4. Reach through the rear exhaust opening and depress center of tabs on the plastic opening cover on the side you want to exhaust through. Remove the cover. Repeat for other dryer.



5. Attach a three- or four-section elbow to the straight duct using duct tape. Repeat with the other elbow and straight duct.



6. Insert elbow end of duct pieces through the side opening. Reach through the access panel opening and attach elbow to the internal exhaust duct. Check the length of straight duct extending out the side of the cabinet. If duct extends too far to make the exhaust duct connection, mark a line around the straight duct one inch out from the cabinet. Remove the duct and elbow and cut the straight pipe to the length needed. Reinsert the duct pieces. Use duct tape to connect the elbow to the internal exhaust duct. Repeat for the other dryer.

7. Insert the plastic cover into the rear exhaust opening.

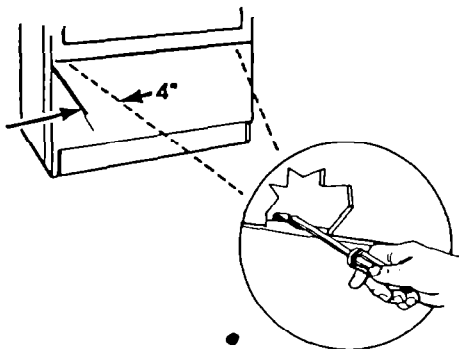
8. Replace the access panels.

9. Use duct tape to seal all joints.

### To connect exhaust duct through the bottom of the lower dryer only —

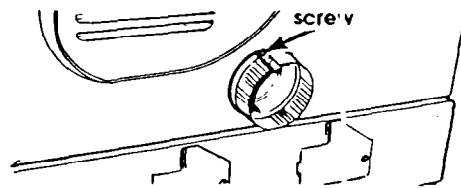
Note: You must use a three-section elbow to connect exhaust duct through the bottom of the lower dryer.

1. Check that the legs extend one inch from the bottom of the dryer.



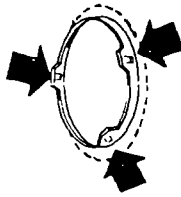
2. Remove the lower dryer access panel by releasing the two locking clips with a small, flat-blade screwdriver. The clips are located four inches in from each side of the access panel. Lift access panel off the bottom clips and set aside.

3. Remove duct tape from internal exhaust duct and the straight duct.

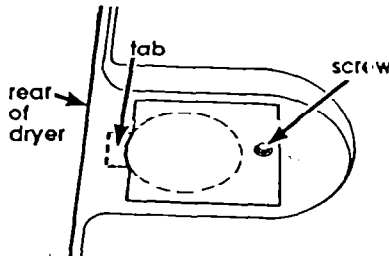


4. Remove the screw from the duct clip that attaches the straight duct to the back of the cabinet. Depress the clip and remove the straight duct using a twisting motion through the rear exhaust opening.

5. Measure from the large end of the straight duct and mark at four inches. Cut the straight duct to that length.



6. Reach through the rear exhaust opening and depress center of tabs on one of the side, plastic opening covers. Remove the cover.



7. With a Phillips screwdriver, reach through the rear exhaust opening and remove the screw that attaches the cover to the dryer base. Carefully remove the cover and screw through the rear exhaust opening.

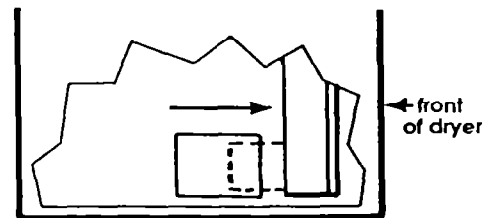
### CAUTION

#### Floor Damage

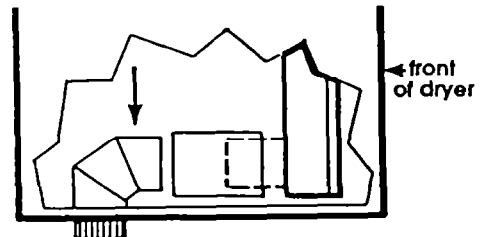
Slide dryers onto cardboard or hardboard before moving across floor. Failure to do so may cause damage to floor covering.

8. Move dryers into operating position. Reach through the access opening and mark the exhaust opening location on the floor. Move dryers out of the operating position.

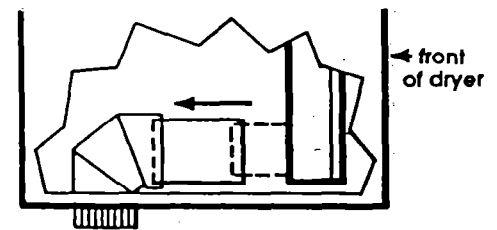
9. Cut opening through the floor.



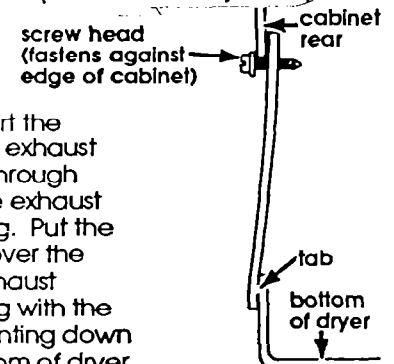
10. Push the four inch, straight duct through the rear exhaust opening and onto the internal duct as far as it will go.



11. Insert the elbow through the rear exhaust opening. Insert elbow into the bottom exhaust opening.



12. Slide the straight duct into the elbow approximately one inch. Use duct tape to seal both joints.



13. Insert the bottom exhaust cover through the side exhaust opening. Put the cover over the rear exhaust opening with the tab pointing down to bottom of dryer. Insert screw through the hole in the cover that is on the outside of the cabinet. Tighten screw.

14. Replace the side exhaust cover.

15. Move the dryers into operating position. Check that the elbow is through the bottom exhaust opening. Replace the access panel.

16. Connect the elbow to exhaust duct. Then connect exhaust duct to exhaust hood or main exhaust. Use duct tape to seal all joints.



# Recessed area and closet installations

## ⚠ WARNING

### Fire Hazard

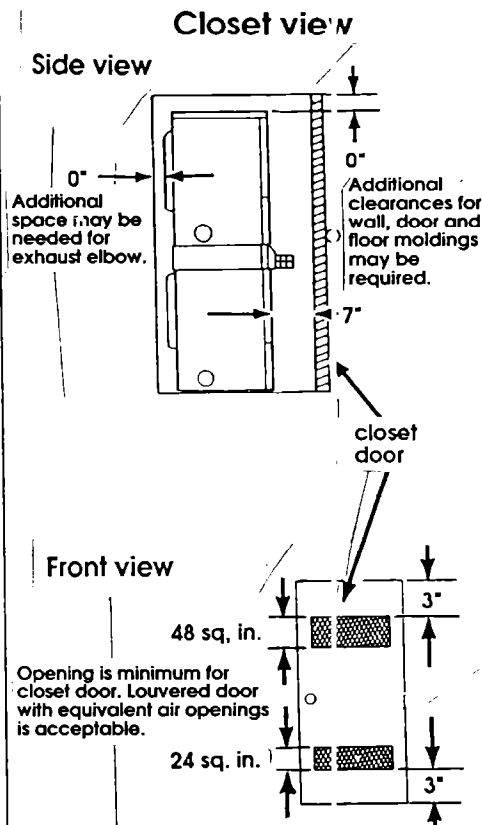
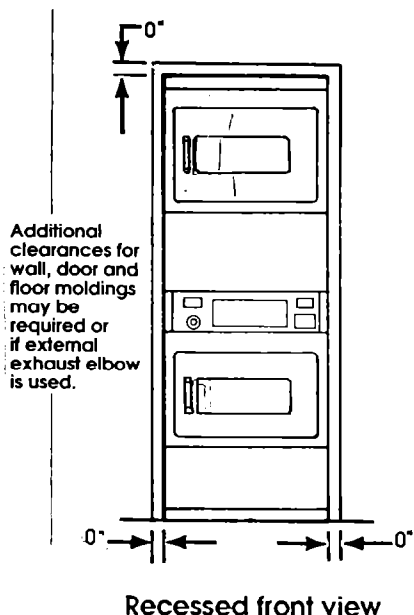
- Dryers **MUST** be exhausted to outside.
  - Failure to do so may result in a fire.
  - Do Not exhaust dryers into a chimney, furnace cold air duct, attic or crawl space, or any other duct used for venting.
- Accumulated lint could result in a fire or cause moisture damage.

This appliance may be installed in a recessed area.

The installation spacing is in the minimum allowable. Additional spacing should be considered for ease of installation, servicing, and compliance with local codes and ordinances.

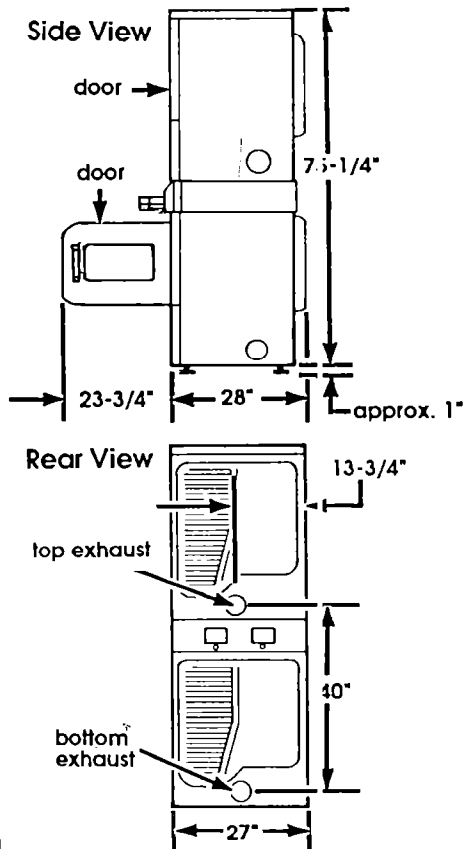
Unobstructed air openings are required for laundry equipment when door is installed. Door must have two centered openings as illustrated. Both openings must provide a minimum of 72 square inches of unobstructed airflow as shown.

Do Not block air flow at the bottom front of the dryers with laundry or rugs. Air flow from the bottom of dryer is needed for operating efficiency.



Companion appliance spacing should be considered.

## Product dimensions



# To change to a 30- or 60-minute timing cam

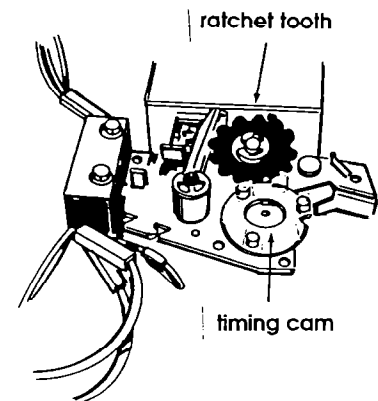
## ⚠ WARNING

### Electrical Shock Hazard

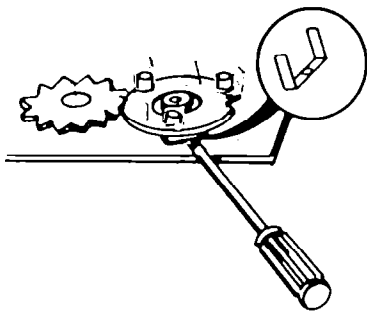
Disconnect both power supply cords from the electric power supply before making these changes. Change timing cams before completing electrical connection. Failure to follow these instructions may result in electrical shock or personal injury.

Each dryer is equipped with a 45-minute timer cam that provides 45 minutes of drying time when activated by the coin slide. You can install the 30-minute or 60-minute timing cam (shipped with each dryer) as follows:

1. Unlock control panel. Lift up and rotate out from cabinet. Control panel will still be attached to cabinet.
2. Reach into control panel area. Use a Phillips screwdriver to loosen (but not remove) timer mounting bracket screw. Lift up to remove timer assembly and bracket from cabinet.



3. Turn the timing cam by hand until the "V"-shaped notch lines up below the ratchet tooth.



4. Insert a narrow, flat-blade screwdriver under the timing cam near the clock shaft. Gently lift cam straight up and off shaft making sure that the "V"-shaped notch clears the ratchet tooth.

5. Place new cam (hub side down) over clock shaft. Line up flat side of shaft with flat side of cam hole. Check that drive lug is in place.

6. Turn cam until "V"-shaped notch lines up with ratchet tooth.

7. Press cam down in place on motor shaft. Make sure that "V"-shaped notch clears the ratchet tooth.

8. Reattach the timer bracket assembly; then tighten the screws.

9. Repeat steps for other timer.

10. Close and lock the control panel.

## Now start...

With dryers in laundry area.

1.

Check that each leg is approximately 1 inch from base.

2.

Wipe the interior of the drums thoroughly with a damp cloth.

3.

Install coin vaults and locks (not supplied) into meter case openings.

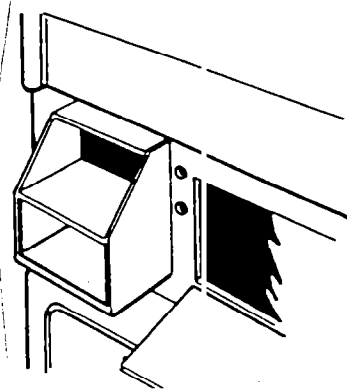
4.

Install control panel lock and key (not supplied).

### ⚠ WARNING

**Electrical Shock Hazard**  
Control panel must be closed and locked at all times.

Failure to do so could result in serious injury or death.



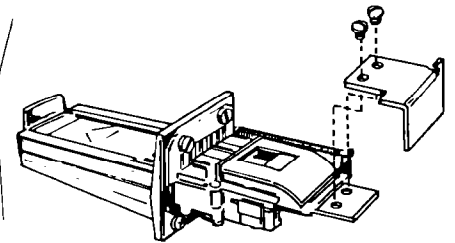
5.

If you wish to change the 45-minute dryer timing cams to either 30- or 60-minute timing cams, see "To change to a 30- or 60-minute timing cam," Page 9. Complete all of the steps given in that section before going to Step 6.

### ⚠ WARNING

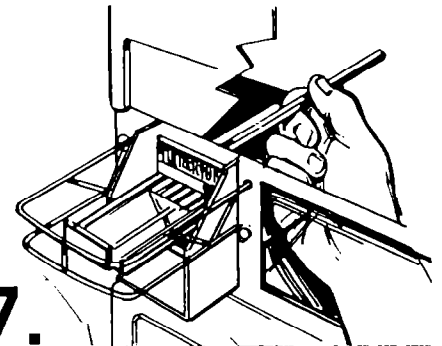
**Electrical Shock Hazard**  
Disconnect electrical power at the service panel (fuse box or circuit box).

Failure to do so could result in serious injury or death.



6.

Open control panel and rest it on the bottom edge of the opening. Attach slide extension (with flange pointing down) to one of the coin-slide mechanisms. Insert the coin-slide mechanism through the opening to left of the control panel.

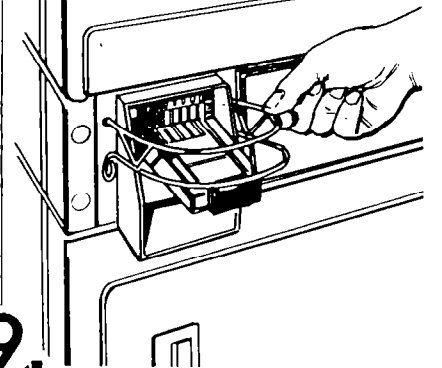


7.

Secure coin slide mechanism from inside the control panel using the 3/16" bolt and wash included with the slide mechanism. Install coin box.

8.

Repeat Steps 6 and 7 for the other coin slide mechanism. Close control panel.



9.

Insert top of wire guard into holes on each side of the coin slide mechanism. Insert screws through hooked ends of guard and tighten. Repeat for other wire guard.

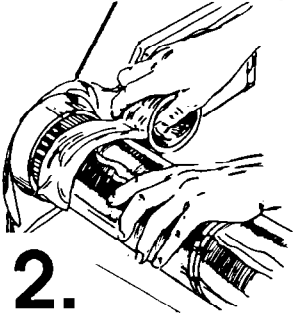
# 10.

Make electrical connection. See "Electrical requirements," Page 3.

**Move dryers to their permanent location.**

# 11.

Check levelness of dryers by placing a carpenter's level on top of the dryers or collar, first side to side, then front to back. If dryer is not level, adjust the front legs up or down. Make the final check with the level.



# 12.

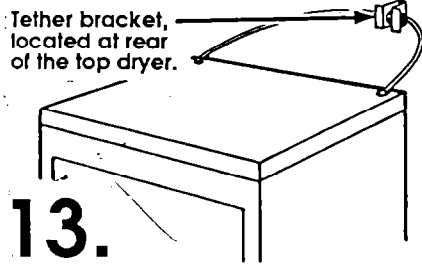
To exhaust the dryers, see "Exhaust requirements" and "Exhaust duct connection", Pages 6, 7 and 8.

## ⚠ WARNING

### Personal Injury Hazard

To prevent tipping, tether bracket must be secured to wall studs or concrete wall.

Failure to do so could result in personal injury.

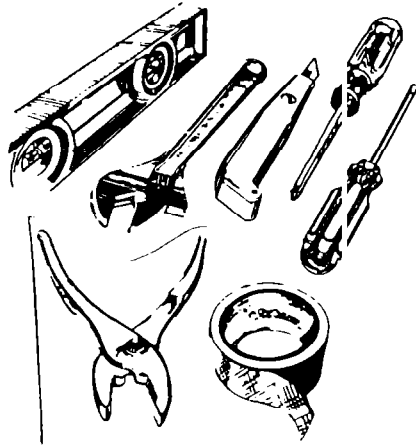


# 13.

Attach both ends of tether located at the rear of the top dryer to a secured 2x4.

# 14.

Check to see that all parts you removed from the Installation parts packages are now installed in the dryers. If you have an extra part, go back through the steps to see what you skipped.



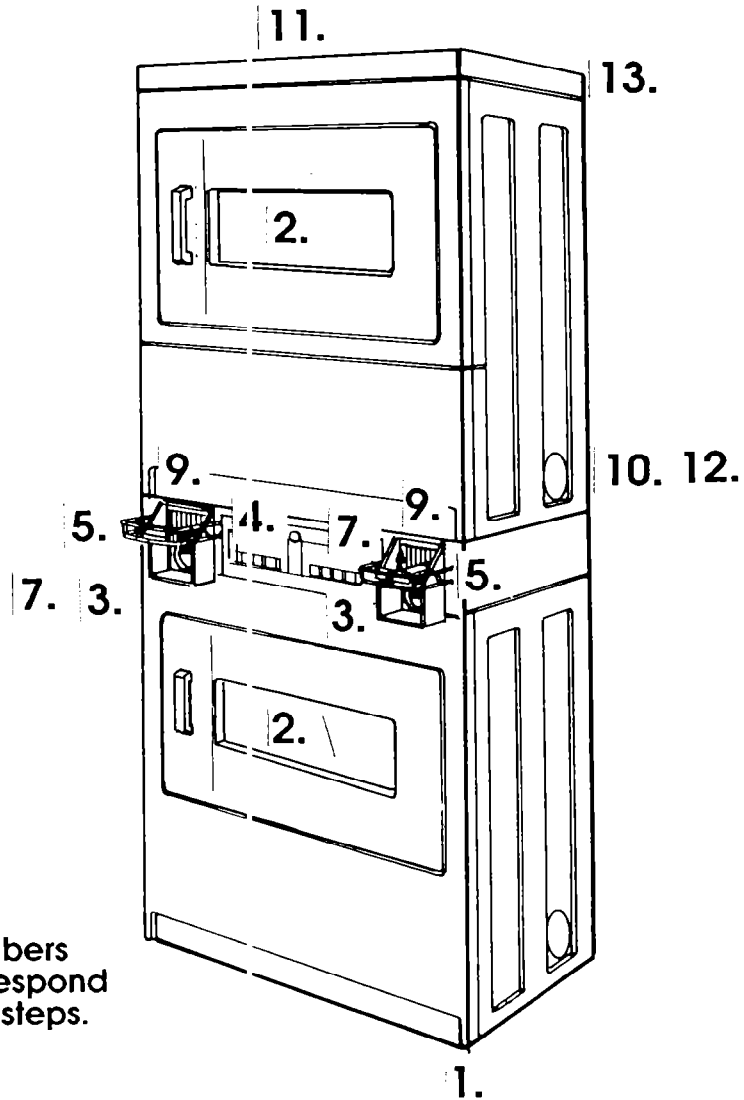
# 15.

Check to make sure you have all your tools.

# 16.

Turn on electrical power supply.

The installation of your electric dryers is now complete.



Numbers correspond with steps.

## If dryers do not operate properly...

Check the following to be sure that:

1. Electric supply is connected.
2. Circuit breakers are not tripped or fuses blown.
3. Doors are closed.
4. Controls are set in a running or "ON" position.

The Whirlpool Consumer Assistance Center will answer any questions about operating or maintaining your dryers not covered in your Operating Instructions. The Whirlpool Consumer Assistance Center number is (800) 253-1301. Dial just as you normally dial long distance - the call is free.

## Moving the dryers to a new location...

- Shut off electric supply to dryers.
- Disconnect power supply cords and external grounding wires. Tape securely to dryer.
- Tape the drums to the front panel.
- Tape doors.
- Adjust leveling legs all the way in.

Before installing dryers in a new location, check with a licensed electrician to confirm that the supply voltage matches the voltage specified on the serial/rating plate located in the door well of the dryers.



Part No. 3390148 Rev. D

© 1993 Whirlpool Corporation Prepared by Whirlpool Corporation, Benton Harbor, Michigan 49022



Printed on recycled paper.  
10% post consumer waste/  
50% recovered materials.

Printed in U.S.A.

## Free Manuals Download Website

<http://myh66.com>

<http://usermanuals.us>

<http://www.somanuals.com>

<http://www.4manuals.cc>

<http://www.manual-lib.com>

<http://www.404manual.com>

<http://www.luxmanual.com>

<http://aubethermostatmanual.com>

Golf course search by state

<http://golfingnear.com>

Email search by domain

<http://emailbydomain.com>

Auto manuals search

<http://auto.somanuals.com>

TV manuals search

<http://tv.somanuals.com>