

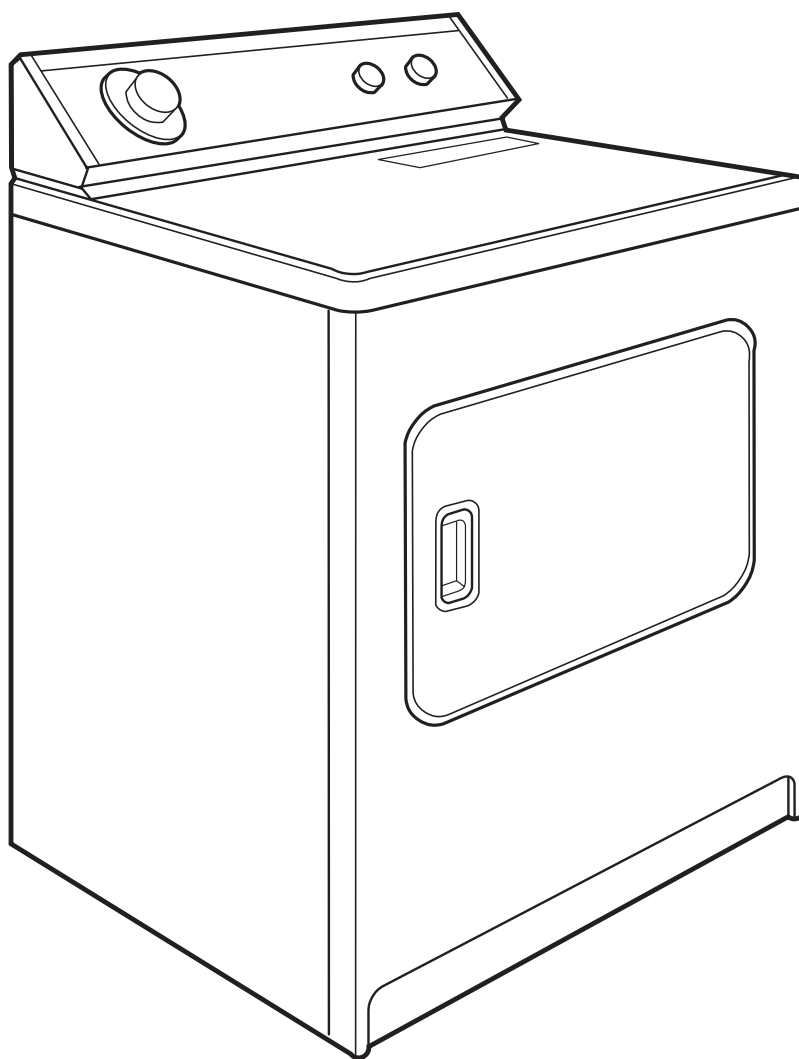
---

# INSTALLATION INSTRUCTIONS

## ELECTRIC DRYER

---

Table of Contents ..... 2



**IMPORTANT:** Save for local electrical inspector's use.

# TABLE OF CONTENTS

<b>DRYER SAFETY</b> .....	2	Plan Vent System .....	7
<b>INSTALLATION INSTRUCTIONS</b> .....	4	Install Vent System .....	8
Tools and Parts .....	4	Install Leveling Legs .....	8
Location Requirements.....	4	Connect Vent .....	9
Electrical Requirements.....	5	Level Dryer.....	9
Electrical Connection.....	6	Check Operation.....	9
Venting Requirements.....	7	Change Door Swing.....	10

## DRYER SAFETY

### Your safety and the safety of others are very important.

We have provided many important safety messages in this manual and on your appliance. Always read and obey all safety messages.



This is the safety alert symbol.

This symbol alerts you to potential hazards that can kill or hurt you and others.

All safety messages will follow the safety alert symbol and either the word “DANGER” or “WARNING.”

These words mean:

**⚠ DANGER**

You can be killed or seriously injured if you don't immediately follow instructions.

**⚠ WARNING**

You can be killed or seriously injured if you don't follow instructions.

All safety messages will tell you what the potential hazard is, tell you how to reduce the chance of injury, and tell you what can happen if the instructions are not followed.



## **WARNING - “Risk of Fire”**

- Clothes dryer installation must be performed by a qualified installer.
- Install the clothes dryer according to the manufacturer's instructions and local codes.
- Do not install a clothes dryer with flexible plastic venting materials. If flexible metal (foil type) duct is installed, it must be of a specific type identified by the appliance manufacturer as suitable for use with clothes dryers. Flexible venting materials are known to collapse, be easily crushed, and trap lint. These conditions will obstruct clothes dryer airflow and increase the risk of fire.
- To reduce the risk of severe injury or death, follow all installation instructions.
- Save these instructions.

## IMPORTANT SAFETY INSTRUCTIONS

**WARNING:** To reduce the risk of fire, electric shock, or injury to persons when using the dryer, follow basic precautions, including the following:

- Read all instructions before using the dryer.
- Do not place items exposed to cooking oils in your dryer. Items contaminated with cooking oils may contribute to a chemical reaction that could cause a load to catch fire.
- Do not dry articles that have been previously cleaned in, washed in, soaked in, or spotted with gasoline, dry-cleaning solvents, or other flammable or explosive substances as they give off vapors that could ignite or explode.
- Do not allow children to play on or in the dryer. Close supervision of children is necessary when the dryer is used near children.
- Before the dryer is removed from service or discarded, remove the door to the drying compartment.
- Do not reach into the dryer if the drum is moving.
- Do not install or store the dryer where it will be exposed to the weather.
- Do not tamper with controls.
- Do not repair or replace any part of the dryer or attempt any servicing unless specifically recommended in this Use and Care Guide or in published user-repair instructions that you understand and have the skills to carry out.
- Do not use fabric softeners or products to eliminate static unless recommended by the manufacturer of the fabric softener or product.
- Do not use heat to dry articles containing foam rubber or similarly textured rubber-like materials.
- Clean lint screen before or after each load.
- Keep area around the exhaust opening and adjacent surrounding areas free from the accumulation of lint, dust, and dirt.
- The interior of the dryer and exhaust vent should be cleaned periodically by qualified service personnel.
- See "Electrical Requirements" located in the installation instructions for grounding instructions.

**SAVE THESE INSTRUCTIONS**

# INSTALLATION INSTRUCTIONS

## Tools and Parts

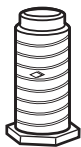
Gather the required tools and parts before starting installation. Read and follow the instructions provided with any tools listed here.

### Tools needed:

- Flat-blade screwdriver
- Phillips screw driver
- Adjustable wrench that opens to 1" (25 mm) or hex-head socket wrench (for adjusting dryer feet)
- Level
- Utility knife
- 1/4" socket wrench or 1/4" nut driver
- Vent clamps
- Caulk gun and caulk (for installing new exhaust vent)

### Parts supplied:

Parts package is located in dryer drum. Check that all parts are included.



4 Leveling legs

## Location Requirements

### ⚠ WARNING



#### Explosion Hazard

Keep flammable materials and vapors, such as gasoline, away from dryer.

Do not install in a garage.

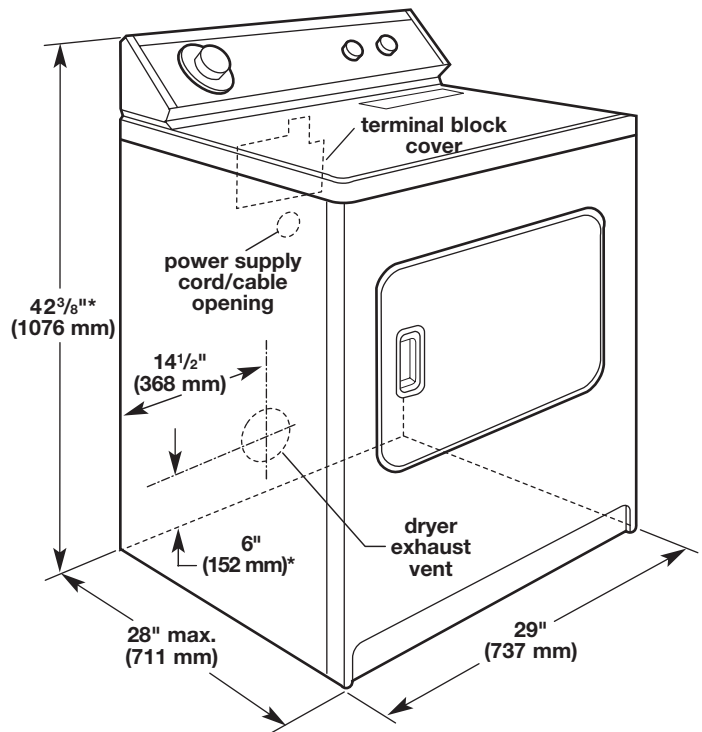
Failure to do so can result in death, explosion, or fire.

**IMPORTANT:** Observe all governing codes and ordinances.

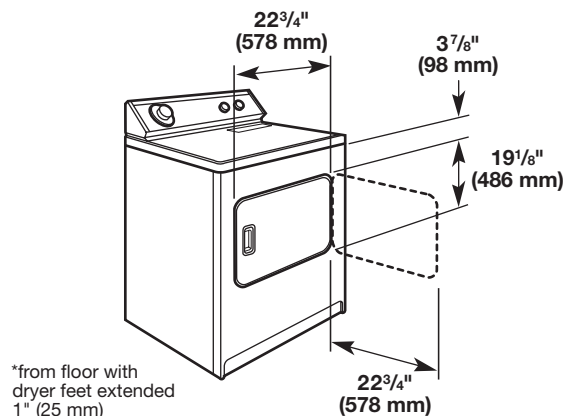
- Check code requirements: Some codes limit or do not permit installation of clothes dryers in garages, closets, or sleeping quarters. Contact your local building inspector.
- Make sure that lower edges of the cabinet, plus the back and bottom sides of the dryer, are free of obstructions to permit adequate clearance of air openings for combustion air. See "Recessed Area and Closet Installation Instructions" for minimum spacing requirements.

**NOTE:** The dryer must not be installed in an area where it will be exposed to water and/or weather.

## Dryer Dimensions



## Door Clearance



## Recessed Area and Closet Installation Instructions

This dryer may be installed in a recessed area or closet. For recessed area and closet installations, minimum clearances can be found on the serial tag on the dryer.

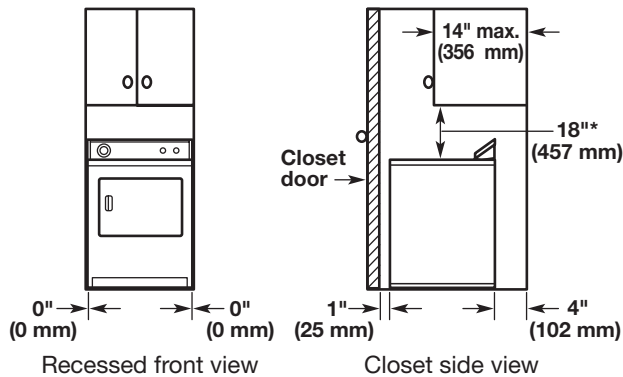
The installation spacing is in inches and is the minimum allowable. Additional spacing should be considered for ease of installation, servicing, and compliance with local codes and ordinances.

If closet door is installed, the minimum unobstructed air opening in the top and bottom is required. Louvered doors with equivalent air openings are acceptable.

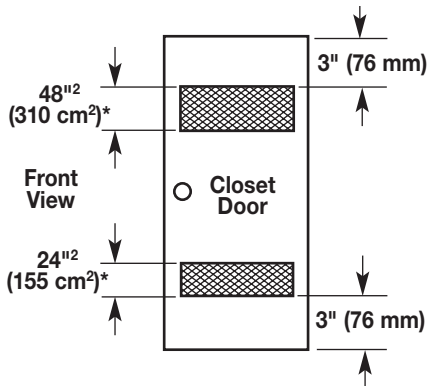
The dryer must be exhausted outdoors.

No other fuel-burning appliance may be installed in the same closet as the dryer.

### Minimum Installation Clearances



Additional clearances for wall, door, and floor moldings may be required or if external exhaust elbow is used.



Louvered doors with equivalent air openings are acceptable.

\*Opening is the minimum for a closet door.

## Electrical Requirements

**Important:** Observe all governing codes and ordinances.

A two-wire plus separate ground wire, or a 3-wire, single-phase 230-volt, 50-Hz, AC only, electrical supply is required on a separate 15-amp circuit, fused on both sides of the line. A time-delay fuse or circuit breaker is recommended.

It is the personal responsibility and obligation of the customer to contact a qualified electrician to assure that the electrical installation is adequate and is in conformance with all local codes and ordinances.

### ⚠ WARNING



#### Electrical Shock Hazard

**Electrical ground is required on this dryer.**

**Do not ground to a gas pipe.**

**Do not change the power supply cord plug. If it does not fit the outlet, have a proper outlet installed by a qualified electrician.**

**Do not have a fuse in the neutral or grounding circuit.**

**Do not use an extension cord with this dryer.**

**Check with a qualified electrician to be sure the dryer is properly grounded.**

**Do not connect plug end of power supply cord into a live receptacle before connecting power supply cord to dryer terminal block.**

**Do not reuse old power supply cord.**

**Failure to follow these instructions could result in death, fire, or serious injury.**

If codes permit and a separate grounding wire is used, it is recommended that a qualified electrician determine that the grounding path is adequate.

This dryer is equipped with a power supply cord. To minimize possible shock hazard, the cord must be plugged into a mating wall receptacle.

If your electrical requirements are different, contact your authorized Whirlpool service center or a qualified electrician.

## Direct Wire

It is recommended that installation should be done by a qualified electrician.

This dryer can be connected directly to the fused disconnect or circuit breaker box with two-wire or three-wire flexible, armored or non-metallic sheathed copper cable (with ground wire). Do Not use two-wire with bare ground wire. All current-carrying wires must be insulated.

A conduit connector must be installed at each end of the power supply cable (at the dryer and at the junction box.) USE ONLY 10-GAUGE SOLID COPPER WIRE. DO NOT USE ALUMINUM WIRE. Allow 4 ft (1.22 m) of slack in the line so the dryer can be moved if servicing is ever necessary.

## Recommended Ground Method

- It is your responsibility to contact a qualified electrical installer to ensure that the electrical installation is adequate and in conformance with the National Electrical Code, ANSI/NFPA 70, latest edition, and all local codes and ordinances.

### GROUNDING INSTRUCTIONS

- For a grounded, cord-connected dryer:  
This dryer must be grounded. In the event of malfunction or breakdown, grounding will reduce the risk of electric shock by providing a path of least resistance for electric current. This dryer uses a cord having an equipment-grounding conductor and a grounding plug. The plug must be plugged into an appropriate outlet that is properly installed and grounded in accordance with all local codes and ordinances.
- For a permanently connected dryer:  
This dryer must be connected to a grounded metal, permanent wiring system, or an equipment-grounding conductor must be run with the circuit conductors and connected to the equipment-grounding terminal or lead on the dryer.

**WARNING:** Improper connection of the equipment-grounding conductor can result in a risk of electric shock. Check with a qualified electrician or service representative or personnel if you are in doubt as to whether the dryer is properly grounded. Do not modify the plug on the power supply cord: if it will not fit the outlet, have a proper outlet installed by a qualified electrician.

### SAVE THESE INSTRUCTIONS

## Electrical Connection

### ⚠ WARNING



#### Electrical Shock Hazard

**Electrical ground is required on this dryer.**

**Do not ground to a gas pipe.**

**Do not change the power supply cord plug. If it does not fit the outlet, have a proper outlet installed by a qualified electrician.**

**Do not have a fuse in the neutral or grounding circuit.**

**Do not use an extension cord with this dryer.**

**Check with a qualified electrician to be sure the dryer is properly grounded.**

**Do not connect plug end of power supply cord into a live receptacle before connecting power supply cord to dryer terminal block.**

**Do not reuse old power supply cord.**

**Failure to follow these instructions could result in death, fire, or serious injury.**

Plug power supply cord into the grounded outlet or connect direct wire to power supply. Turn power supply on.

## Venting Requirements

### ⚠ WARNING



#### Fire Hazard

- Use a heavy metal vent.
- Do not use a plastic vent.
- Do not use a metal foil vent.
- Failure to follow these instructions can result in death or fire.

**WARNING:** To reduce the risk of fire, this dryer MUST BE EXHAUSTED OUTDOORS.

**IMPORTANT:** Observe all governing codes and ordinances. Dryer vent must not be connected into any gas vent, chimney, wall, ceiling, attic, crawlspace, or a concealed space of a building.

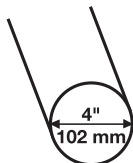
#### If using an existing vent system

- Clean lint from the entire length of the system and make sure exhaust hood is not plugged with lint.
- Replace any plastic or metal foil vent with rigid heavy metal vent or flexible metal vent.
- Review Vent System Chart. Modify existing vent system if necessary to achieve the best drying performance. Only rigid or flexible metal vent shall be used for exhausting.

#### If this is a new vent system

##### Vent material

- Use a heavy metal vent. Do not use plastic or metal foil vent.
- 4" (102 mm) heavy metal vent and clamps must be used.



4" (102 mm) heavy metal exhaust vent

##### Rigid metal vent

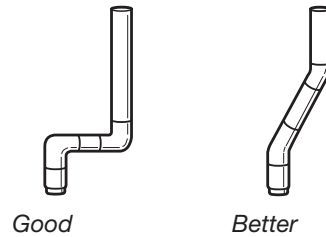
- Recommended for best drying performance and to avoid crushing and kinking.

##### Flexible metal vent

- Must be fully extended and supported when the dryer is in its final location.
- Remove excess to avoid sagging and kinking that may result in reduced airflow and poor performance.
- Do not install flexible metal vent in enclosed walls, ceilings, or floors.

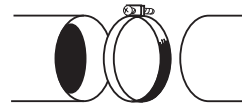
##### Elbows:

Plan installation to use the fewest number of elbows and turns.



##### Clamps:

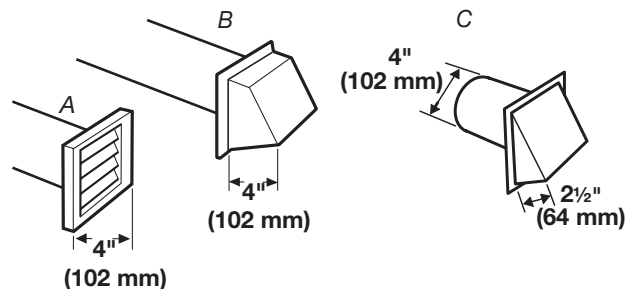
- Use clamps to seal all joints.
- Exhaust vent must not be connected or secured with screws or other fastening devices which extend into the interior of the vent and catch lint. Do not use duct tape.



##### Exhaust

###### Recommended hood styles.

###### Acceptable hood style.



- A. Louvered hood style
- B. Box hood style
- C. Angled hood style is acceptable

- An exhaust hood should cap the vent to keep rodents and insects from entering the home or business.
- Exhaust hood must be at least 12" (305 mm) from the ground or any object that may be in the path of the exhaust (such as flowers, rocks, or bushes).
- Do not use an exhaust hood with a magnetic latch.
- A four-inch outlet hood is preferred. However, a 2½" (64 mm) outlet exhaust hood may be used. A 2½" (64 mm) outlet creates greater back pressure than other hood types. For permanent installation, a stationary vent system is required.

## Plan Vent System

### Determine vent path:

- Vent outlet is located at the center of the bottom dryer back.
- The vent can be routed up, down, left, right, behind the dryer, or straight out the back of the dryer.
- When using elbows or making turns, allow as much room as possible.
- Bend vent gradually to avoid kinking.

## Vent System Length

Maximum length of vent system depends upon the type of vent used, number of elbows, and type of exhaust hood. The maximum length for both rigid and flexible vent is shown in the chart.

Vent System Chart

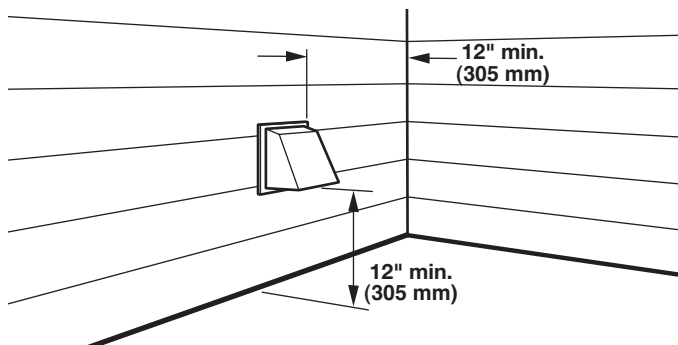
Number of 90° elbows	Type of vent	Box/louvered hoods	Angled hoods
0	Rigid metal	64 ft. (20 m)	58 ft. (17.7 m)
1	Rigid metal	54 ft. (16.5 m)	48 ft. (14.6 m)
2	Rigid metal	44 ft. (13.4 m)	38 ft. (11.6 m)
3	Rigid metal	35 ft. (10.7 m)	29 ft. (8.8 m)
4	Rigid metal	27 ft. (8.2 m)	21 ft. (6.4 m)

For vent systems not covered by the vent specification chart, see Whirlpool Service Manual, "Exhausting Whirlpool Dryers," Part No. LIT603197, available from your Whirlpool parts distributor.

If dryer is installed in a confined area, such as a bedroom, bathroom, or closet, provision must be made for enough air for combustion and ventilation. (Check governing codes and ordinances.) See "Recessed Area and Closet Installation Instructions" in the "Location Requirements" section.

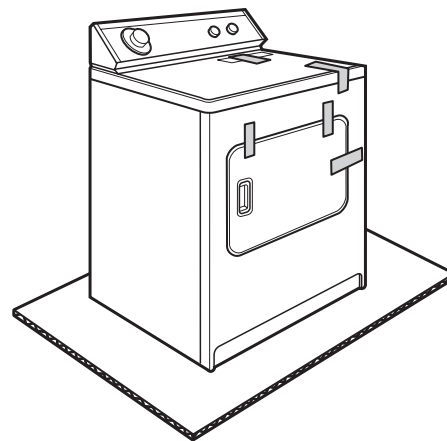
## Install Vent System

1. Install exhaust hood. Use caulking compound to seal exterior wall opening around exhaust hood.

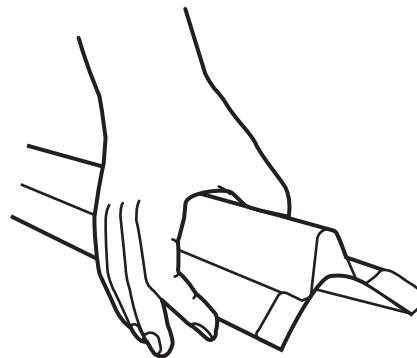


2. Connect exhaust vent to hood. Vent must fit inside exhaust hood. Secure vent to exhaust hood with vent tape.
3. Run exhaust vent to dryer location. Use the straightest path possible. Avoid 90° turns. Use vent tape to seal all joints.

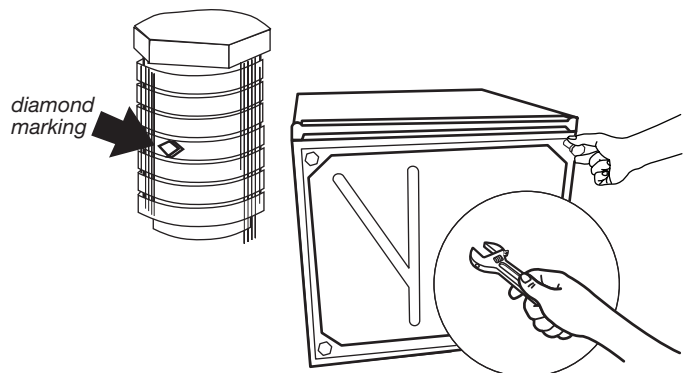
## Install Leveling Legs



1. Remove tape from dryer cabinet. Open dryer door and remove tape from dryer drum. (Not all dryer drums are taped.) Remove drying rack, if included. Turn dryer drum counterclockwise to make sure all tape was removed. Wipe drum with damp cloth to remove any dust.



2. Take two cardboard corners from dryer carton and place them on floor in back of dryer. Firmly grasp body of dryer and gently lay it on its back on the cardboard corners.



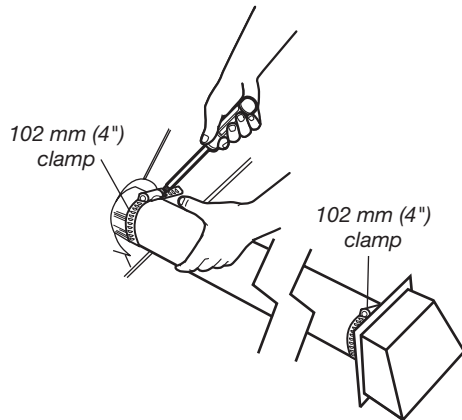
3. Start to screw legs into holes by hand. Use an adjustable wrench or 1" (25 mm) hex-head socket wrench to finish turning legs until you reach the ridge with the diamond marking.
4. Place a carton corner post from dryer packaging under each of the 2 dryer back corners. Stand the dryer up. Slide the dryer on the corner posts until it is close to its final location. Leave enough room to connect the exhaust vent.



---

## Connect Vent

1. Using a 4" (102 mm) clamp, connect vent to exhaust outlet in dryer. If connecting to existing vent, make sure the vent is clean. Dryer vent must fit over dryer exhaust outlet and inside exhaust hood. Check that vent is secured to exhaust hood with a 4" (102 mm) clamp.

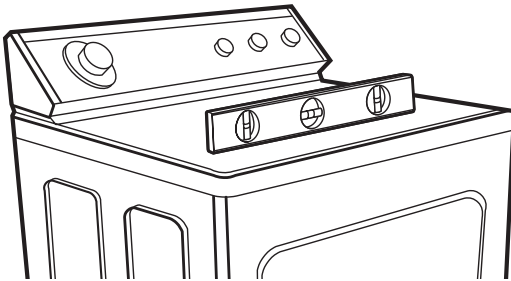


2. Move dryer into final position.
3. Once exhaust vent connection is made, remove corner posts and cardboard.

---

## Level Dryer

Check levelness of dryer by placing a level on top of dryer, first side to side, then front to back.



If the dryer is not level, prop up the dryer using a wood block. Use a wrench to adjust the legs up or down and check again for levelness.

If legs are not long enough to level dryer, order Extended Dryer Feet Kit, Part No. 279810 (sold two legs per kit), from your dealer.

---

## Check Operation

1. Check that you:
  - Did not skip any steps.
  - Installed all parts.
  - Properly installed dryer legs.
  - Leveled dryer.
  - Have all the tools you started with.
2. Plug power supply cord into grounded outlet or connect direct wire to power supply. Turn power supply on.
3. Read the "Use and Care Guide" to fully understand your new dryer. Select a full heat cycle (not the air cycle) and start dryer. After five minutes, open dryer door. You should feel heat inside dryer.

### If the dryer will not start, check the following:

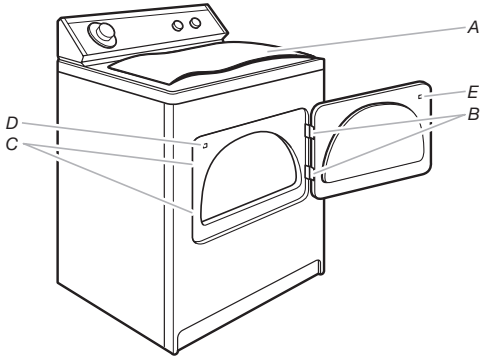
- Electrical supply is connected
- House fuse is intact and tight, or circuit breaker has not tripped.
- Dryer door is closed.
- Controls are set in a running or "On" position.
- Start button has been pushed firmly.

If dryer makes an unusual noise, check that the dryer is level.

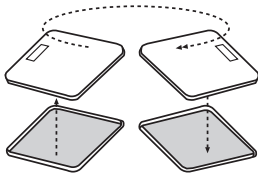
## Change Door Swing

If not reversing door swing, skip ahead to "Level and Exhaust the Dryer" steps.

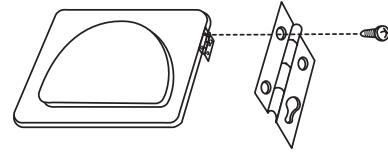
Avoid scratching or chipping paint.



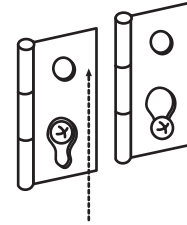
1. Place a large towel or soft cloth (A) on top of dryer to avoid damaging the surface.
2. Open dryer door. Remove bottom screws from cabinet side of hinges (B). Loosen (do not remove) top screws from cabinet side of hinges.
3. Lift door until top screws in cabinet are in large part of hinge slot. Pull door forward off screws. Set door (handle side up) on top of dryer. Remove top screws from cabinet.
4. Remove screws attaching hinges to door.
5. Remove screws at top, bottom, and side of door. Holding door over towel on dryer, grasp sides of outer door and gently lift to separate it from inner door. Do NOT pry apart with putty knife. Do NOT pull on door seal or plastic door catches.



6. Turn and reattach outer door panel to inner door panel so handle is on the side where hinges were just removed. Be sure to keep cardboard spacer centered between doors.



7. Attach door hinge to door so large part of hinge slot is at bottom of hinge.
8. Gently remove 4 hinge hole plugs (C) on left side of cabinet. Insert plugs in hinge holes on right side of cabinet.



9. Insert screws in bottom holes on left side of cabinet. Tighten screws halfway. Position door so large end of door hinge slot is over screws. Slide door up so screws are in bottom of slots. Tighten screws. Insert and tighten top screws in hinges.
10. Remove door strike (D) from cabinet. Remove door strike plug. Insert door strike in new hole and secure with screw. Insert door strike plug in original door strike hole and secure with screw.
11. Close door and check that door strike aligns with door catch (E). If door does not close completely, slide door catch left or right within slot until strike snaps into catch.

---

## Notes



## Free Manuals Download Website

<http://myh66.com>

<http://usermanuals.us>

<http://www.somanuals.com>

<http://www.4manuals.cc>

<http://www.manual-lib.com>

<http://www.404manual.com>

<http://www.luxmanual.com>

<http://aubethermostatmanual.com>

Golf course search by state

<http://golfingnear.com>

Email search by domain

<http://emailbydomain.com>

Auto manuals search

<http://auto.somanuals.com>

TV manuals search

<http://tv.somanuals.com>