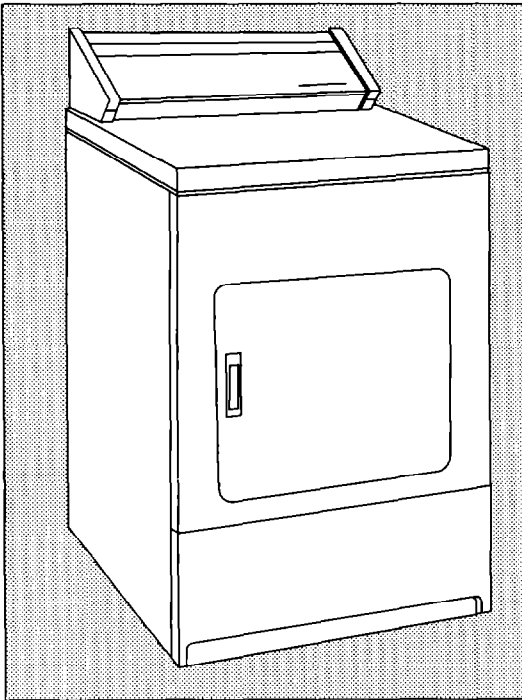


Installation Instructions

Gas/Electric Commercial Dryer



Part No. 3406449



Commercial 27" Electronic Dryer

Gas

Electric

120-Volt 60-Hz 240-Volt 60-Hz

**IMPORTANT:
Read and
save these
instructions.**

Important:


Read these instructions before you start to install the dryer.

Save Installation Instructions for local electrical inspector's use.

Keep Installation Instructions for future reference.

Your safety and the safety of others is very important.

We have provided many important safety messages in this manual and on your appliance. Always read and obey all safety messages.

 This is the safety alert symbol. This symbol alerts you to hazards that can kill or hurt you and others. All safety messages will be preceded by the safety alert symbol and the word "DANGER" or "WARNING". These words mean:

DANGER

You will be killed or seriously injured if you don't follow instructions.

WARNING

You can be killed or seriously injured if you don't follow instructions.

All safety messages will identify the hazard, tell you how to reduce the chance of injury, and tell you what can happen if the instructions are not followed.

Before you start...

Check location where dryer will be used. Proper installation is your responsibility. The dryer must not be installed or stored in an area where it will be exposed to water and/or weather. Make sure you have everything necessary for correct installation.

The dryer is equipped with an electronic control timer, selector switches and indicator lights. The timer is set to provide 45 minutes of drying time when activated.

WARNING



Explosion Hazard

Keep flammable materials and vapors away from dryer.

Place dryer at least 18 inches above the floor for a garage installation.

Failure to do so can result in death, explosion, fire, or burns.

It is the customer's responsibility:

- To contact a qualified electrical installer.
- To have dryers installed according to all national and local codes and ordinances.

Tools needed for installation:

adjustable wrench	safety glasses
utility knife	level
Phillips screwdriver	pliers
flat-blade screwdriver	duct tape
gloves	

Parts supplied:

4 leveling legs

Parts owner must supply:

For electronic system support (cards and additional electronic features), contact:

IntelliCard Systems Ltd.
1520 Neptune Dr.
Boynton Beach, FL 33426
(407) 369-3435

Exhaust requirements

! WARNING



Fire Hazard

- Use a heavy metal vent.
- Do not use a plastic vent.
- Do not use a metal foil vent.
- Failure to do so can result in death or fire.

Do not use non-metal flexible vent, metal vent that is smaller than four inches in diameter or exhaust hoods with magnetic latches.

Do not exhaust dryer into a chimney, furnace cold air vent, attic or crawl space, or any other vent used for venting.

Do not install flexible vent in enclosed walls, ceilings or floors.

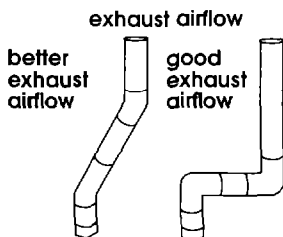
If using an existing exhaust system, clean lint from entire length of exhaust system. Make sure exhaust hood is not plugged with lint.

The exhaust system should be inspected and cleaned yearly.

Replace any vinyl or metallized plastic foil exhaust vent with rigid metal or flexible metal vent.



Use **duct tape** to seal all joints.



Four-inch metal exhaust vent is required. Plan installation to use the fewest number of elbows and turns.

Metal flexible vent must be fully extended and supported when the dryer is in its final position. **DO NOT KINK OR CRUSH THE VENT. The metal flexible vent must be completely open to allow adequate exhaust air to flow.**

Allow as much room as possible when using elbows or making turns. Bend vent gradually to avoid kinking. Remove excess flexible vent to avoid sagging and kinking that may result in reduced air flow.

Exhaust outlet is located at the center of the bottom dryer back.

The **exhaust vent** can be routed up, down, left, right, behind the dryer or straight out the back of the dryer.

Kits are available to convert the exhaust vent to be routed through the cabinet right or left side or through the bottom. See Page 3 for Exhaust Kit part numbers. See Page 11 for product dimensions and recessed area requirements.

Maximum length of exhaust system depends upon the type of vent used, number of elbows and type of exhaust hood. The maximum length for both rigid and flexible vent is shown in the chart.

EXHAUST HOOD TYPE			
No. of 90° turns	Diagram		
	0	4"	4"
MAXIMUM LENGTH OF 4-INCH DIAMETER RIGID METAL VENT			
0	43 ft.	41 ft.	36 ft.
1	33 ft.	31 ft.	26 ft.
2	23 ft.	21 ft.	16 ft.
MAXIMUM LENGTH OF 4-INCH DIAMETER FLEXIBLE METAL VENT			
0	30 ft.	29 ft.	24 ft.
1	24 ft.	23 ft.	18 ft.
2	16 ft.	15 ft.	10 ft.

For **exhaust systems** not covered by the exhaust length chart, see Whirlpool Service Manual, "Exhausting Whirlpool Dryers," Part No. 603197,

available from your Whirlpool parts distributor.

Service check: The back pressure in any exhaust system must not exceed 0.6 inches of water column measured with an inclined manometer at the point that the exhaust vent connects to the dryer.

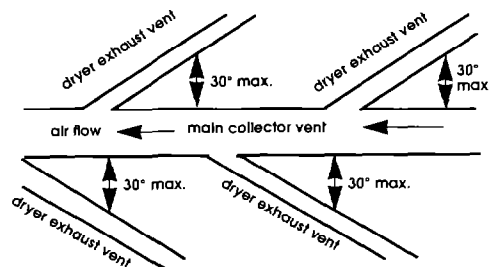
Exhausting the electric dryer outside is recommended. A closet installation must be exhausted outside. Recessed installation that is not exhausted outside must use Exhaust Deflector, Part No. 3391278 (**electric dryer only**), available from your dealer.

If dryer is installed in a confined area, such as a bedroom, bathroom or closet, it must be exhausted to the outside and provision made for enough air for combustion and ventilation. (Check governing codes and ordinances.) See "Recessed area and closet installation instructions" on Page 11.

An **exhaust hood** should cap the exhaust vent to prevent exhausted air from returning into the dryer. The outlet of the hood must be at least 12 inches from the ground or anything else that may be in the path of the exhaust.

Four-inch outlet hood is preferred. However, a 2-1/2-inch outlet exhaust hood may be used. A 2-1/2-inch outlet creates greater back pressure than other hood types. For permanent installation, a stationary exhaust system is required.

A main exhaust vent can be used for exhausting a group of dryers. Main exhaust vent should be sized to remove 200 CFM of air per dryer. Large-capacity lint screens of proper design may be used in the main exhaust vent if checked and cleaned frequently. The room where the dryers are located should have make-up air equal to or greater than the CFM of all the dryers in the room.



Back-draft Damper Kits, Part No. 3391910, are available from your Whirlpool dealer and should be installed in each dryer's exhaust vent to prevent exhausted air from returning into the dryers and to keep the exhaust in balance within the main exhaust vent. Unobstructed air openings are required.

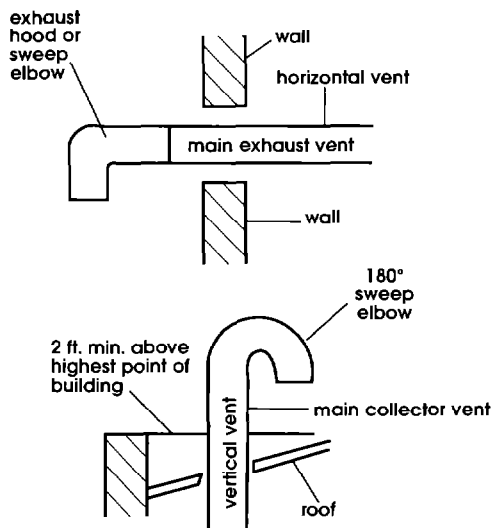
Each exhaust vent should enter the main vent at an angle pointing in the direction of the airflow. Vents entering from the opposite side should be staggered to reduce the exhausted air from interfering with the other vents.

The **maximum angle** of each vent entering the main vent should be no more than 30°.

Keep air openings free of dry cleaning fluid fumes. Fumes create acids which, when drawn through the dryer heating units, can damage dryers and loads being dried.

A **clean-out cover** should be located on the main exhaust vent for periodically cleaning the exhaust system.

An **exhaust hood** should cap the outside end of the main vent to prevent exhausted air from returning to the dryers. If an exhaust hood cannot be used, the outside end of the main vent should have a sweep elbow directed downward. If the main vent travels vertically through the roof, rather than through the wall, install 180° sweep elbow on the end of vent at least 2 feet above the highest part of the building. The opening wall or roof shall have a diameter 1/2 inch larger than the exhaust vent diameter. The exhaust vent should be centered in the opening.

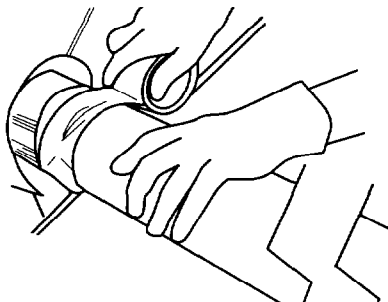


Do Not install screening or cap over end of vent.

Exhaust vent connection

Determine which direction you need to attach the exhaust vent to the dryer. Next, determine the length of the exhaust vent you will need to connect the dryer to exhaust hood or main vent.

To connect exhaust vent straight out the back —



Attach exhaust vent to dryer vent. Then connect exhaust vent to exhaust hood or main exhaust vent. Use duct tape to seal all joints.

This dryer may be converted to be exhausted out the right or left side or through the bottom. To convert the dryer, one of the following kits **MUST** be used:

Exhaust Kit No. 279818 (White)
Exhaust Kit No. 279819 (Almond)

Follow the instructions in the kit to avoid operational and personal hazard.

Gas Dryer

Gas supply requirements

WARNING: If the information in this manual is not followed exactly, a fire or explosion may result causing property damage, personal injury or death.

- Do not store or use gasoline, or other flammable vapors and liquids in the vicinity of this or any other appliance.
- **WHAT TO DO IF YOU SMELL GAS:**
 - Do not try to light any appliance.
 - Do not touch any electrical switch; Do not use any phone in your building.
 - Immediately call your gas supplier from a neighbor's phone. Follow gas supplier's instructions.
 - If you cannot reach your gas supplier, call the fire department.
- Installation and service must be done by a qualified installer, service agency or the gas supplier.

Observe all governing codes and ordinances.

Post this warning in a prominent location.

It is recommended that the operator post, in a prominent location, instructions for the customer's use in the event the customer smells gas. This information should be obtained from your local gas supplier.

⚠ WARNING



Explosion Hazard

Connect dryer to a regulated gas supply.

Use a new flexible gas supply line.

If L.P. gas is used, the L.P. gas supply must not exceed 13" water column.

Failure to do so can result in death, explosion, or fire.

A. This installation must conform with American National Standard, National Fuel Gas Code ANSI Z223.1—latest edition (*, Page 5) and all local codes and ordinances.

B. The design of this dryer has been certified by the American Gas Association for use at altitudes up to 10,000 feet above sea level at the B.T.U. rating indicated on the model/serial rating plate. Burner input adjustments are not required when the dryer is operated up to this elevation.

When installed above 10,000 feet, a four percent (4%) reduction of the burner B.T.U. rating shown on the model/serial rating plate is required for each 1,000 foot increase in elevation. For assistance when converting to other gas types and/or installing above 10,000 feet elevation, contact your local service company.

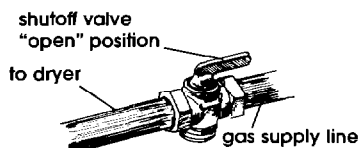
C. Check that the dryer is equipped with the correct burner for the particular type of gas used. Burner information can be found on the model/serial rating plate in the door well of the appliance. If this information does not agree with the type of gas available, see your dealer.

D. This dryer is equipped for use with NATURAL GAS. It is certified by the American Gas Association for manufactured, mixed and L.P. (propane and butane) gases with appropriate conversion. No attempt shall be made to convert the appliance from the gas specified on the model/serial rating plate for use with a different gas without consulting the serving gas supplier. **Conversion**

must be done by a qualified service technician. Gas conversion kit part numbers are listed on the gas valve burner base.

E. Provide a rigid gas supply line of 1/2-inch IPS pipe to the dryer location. If the total length of the supply line is more than 20 feet, larger pipe will be needed. For L.P. gas usage, 3/8-inch, approved copper tubing may be used. Pipe-joint compounds suitable for use with L.P. gas should be used.

F. If local codes and ordinances permit, it is recommended that new, flexible metal tubing, design-certified by the American Gas Association, be used for connecting the dryer to the gas supply line. (The gas feed pipe, which extends through the lower rear of the dryer, is provided with 3/8-inch male pipe thread.)



G. The supply line shall be equipped with a shutoff valve. This valve should be located in the same room as the dryer and should be in a location that allows ease of opening and closing. Do Not block access to the shutoff valve.

H. If rigid pipe is used as a gas supply line, a combination of pipe fittings must be used to obtain an in-line connection to the dryer.



I. Make sure that lower edges of the cabinet, plus the back and bottom sides of the dryer are free of obstructions to permit adequate clearance of air openings for combustion air. See "Recessed area and closet installation instructions," on Page 11, for minimum spacing requirements.

J. For ease of installation, operation and servicing (if ever needed) adequate space should be provided around the dryer.

K. A 1/8-inch, NPT plugged tapping, accessible for test gauge connection, must be installed immediately upstream of the gas supply connector to the dryer. The dryer and its individual shutoff

valve must be disconnected from the gas supply piping system during any pressure testing of that system at test pressures in excess of 1/2 psig (3.4 kPa).

The dryer must be isolated from the gas supply piping system by closing the individual manual shutoff valve during any pressure testing of the gas supply piping system at test pressures equal to or less than 1/2 psig (3.4 kPa).

Electrical requirements

⚠ WARNING



Electrical Shock Hazard

Plug into a grounded 3-prong outlet.

Do not remove ground prong.

Do not use an adapter.

Do not use an extension cord.

Failure to follow these instructions can result in death, fire, or electrical shock.

If codes permit and a separate ground wire is used, it is recommended that a qualified electrician determine that the ground path is adequate.

Observe all governing codes and ordinances.

A 120-volt, 60-Hz, AC-only, 15- or 20-ampere fused electrical supply is required. A time-delay fuse or circuit breaker is recommended. It is recommended that a separate circuit serving only this appliance be provided.

Recommended ground method

For your personal safety, this dryer must be grounded. This dryer is equipped with a power supply cord having a 3-prong ground plug. To minimize possible shock hazard, the cord must be plugged into a mating 3-prong ground-type wall receptacle, grounded in accordance with National Electrical Code ANSI/NFPA 70 — latest edition (**, Page 5) and all local codes and ordinances. If a mating wall receptacle is not available, it is the personal responsibility and obligation of the

customer to have a properly grounded, 3-prong wall receptacle installed by a qualified electrician. See Figure 1.

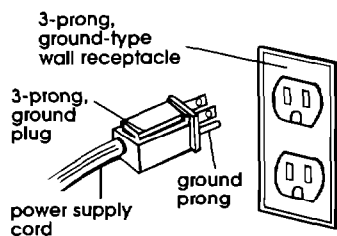


Figure 1

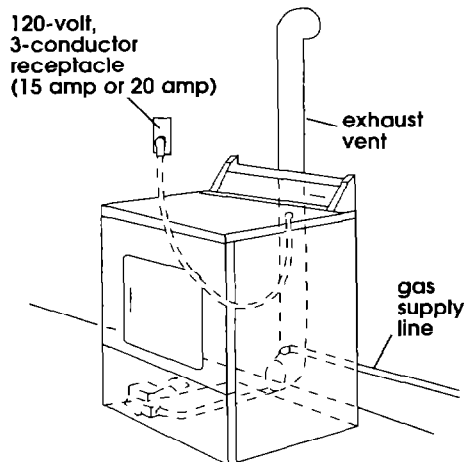
Copies of the standards listed above may be obtained from:

* American Gas Association
1515 Wilson Boulevard
Arlington, Virginia 22209

** National Fire Protection Association
Batterymarch Park
Quincy, Massachusetts 02269

Now start...

With dryer in laundry area.



1. Put on safety glasses and gloves. Take tape off front corners of dryer. Open dryer and remove the literature and parts packages. Remove the tape that holds the drum to the cabinet. (Some dryer drums are not taped for shipping.) Move the drum by hand to make certain all tape has been removed. Wipe the interior of the drum thoroughly with a damp cloth.

2. Take two of the cardboard corners from the carton and place them on the floor in back of the dryer. Firmly grasp the body of the dryer and gently lay it on its back on the cardboard corners.

3. With one of the legs in hand, check the ridges for a diamond marking. That's how far the leg is supposed to go into the hole.

4. Start to screw the leveling legs into the holes by hand. (Use a small amount of liquid detergent to lubricate the screw threads so it is easier to turn the legs.) Use a 1-inch wrench or socket wrench to finish turning the legs until you reach the diamond mark.

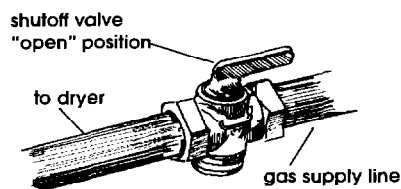
Stand the dryer up.

Slide dryer onto cardboard or hardboard before moving across floor to avoid damaging floor covering.

5. Move dryer close to final position. Remove cardboard or hardboard from under dryer.

6. Remove red cap from gas pipe. Carefully move dryer into final position. Place level on top of the dryer, first side to side; then front to back. If the dryer is not level, adjust the legs of the dryer up or down until the dryer is level.

7. Connect gas supply to dryer. Use pipe-joint compound resistant to the action of L.P. gas for gas connections. If flexible metal tubing is used, check that there are no kinks.



8. Open the shutoff valve in the gas supply line.

9. Use a brush and liquid detergent to test all external gas connections for leaks. Bubbles around connections will indicate a leak. If a leak appears, shut off gas valve controls and adjust connections. Then check connections again. **NEVER TEST FOR GAS LEAKS WITH A FLAME.** Close the access panel.

All connections must be wrench-tightened.

10. To exhaust dryer, see "Exhaust requirements," Pages 2-3. Connect exhaust vent to exhaust hood. Use duct tape to seal all joints in the exhaust vent. Use caulking to seal exterior wall opening around exhaust hood.

11. Plug power supply cord into grounded outlet.

12. Insert user card and push START button to start dryer to remove air from the gas supply line. Using a full heat cycle (not the air cycle), let the dryer run for at least five minutes. If the burner does not ignite and you can feel no heat inside the dryer, shut off the dryer for five minutes. Check that all gas supply valve controls are in "ON" position and that the power supply cord is plugged in. Repeat the five-minute test.

Note: Dryer door must be closed for dryer to operate. When door is open, dryer stops, but timer continues to run. To restart dryer, close door and push START button.

Electric Dryer

Electrical requirements

If codes permit and a separate ground wire is used, it is recommended that a qualified electrician determine that the ground path is adequate.

Important: Observe all governing codes and ordinances.

A four-wire or three-wire, single-phase, 120/240-volt, 60-Hz, AC-only electrical supply (or four-wire or three-wire, 120/208-volt, if specified on the model/serial rating plate) is required on a separate, 30-ampere circuit, fused on both sides of the line. A time-delay fuse or circuit breaker is recommended. The model/serial rating plate is located in the door well behind the dryer door on the front of the opening.

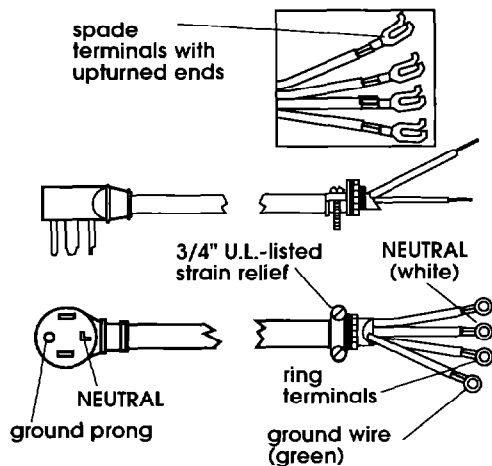
A wiring diagram is located inside the console or on back panel of dryer. It is the personal responsibility and obligation of the customer to contact a qualified electrician to assure that the electrical installation is adequate and in conformance with the National Electrical Code, ANSI/NFPA 70 — latest edition*, and all local codes and ordinances.

Copies of the standards listed above may be obtained from:

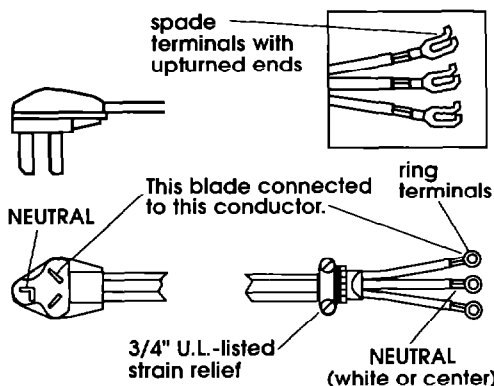
* National Fire Protection Association
Battery March Park
Quincy, Massachusetts 02269

Power supply cord

Use a new 30-amp power supply cord. Local codes may permit the use of a U.L.-listed, 120/240-volt minimum, 30-ampere, dryer power supply cord kit (pigtail). Power supply cord should be Type SRD or SRDT and be at least four feet long. The wires that connect to the dryer must end with ring terminals or spade terminals with upturned ends. A 3/4", U.L.-listed strain relief must be installed where the power supply cord connects to the dryer (see Figures 2 and 3).

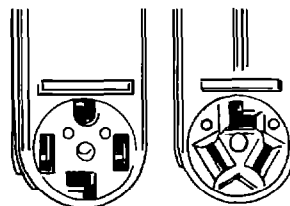


Four-wire power supply cord
NEMA 14-30P
Figure 2



Three-wire power supply cord
NEMA 10-30P
Figure 3

For use where local codes permit use of flexible power supply cord.



four-wire receptacle
(14-30R)
Figure 4

three-wire receptacle
(10-30R)
Figure 5

Four-wire installation is recommended:

The power supply cord must have four, No.-10 copper wires and match a four-wire receptacle of NEMA Type 14-30R (see Figure 4). The fourth wire (ground conductor) must be identified with a green cover and the neutral conductor by a white cover.

Three-wire installation (if a four-wire system is not available): The power supply cord must have three, No.-10 copper wires to match a three-wire receptacle of NEMA Type 10-30R (see Figure 5).

Direct wire

The dryer can be connected directly to fused disconnect or circuit breaker box with four-wire or three-wire flexible armored or non-metallic sheathed copper cable (with ground wire). Do Not use two-wire with bare ground wire. All current-carrying wires must be insulated.

A U.L.-listed conduit connector must be installed at the junction box. USE ONLY 10-GAUGE SOLID COPPER WIRE. DO NOT USE ALUMINUM WIRE. Allow four feet of slack in the line so dryer can be moved if servicing is ever necessary.

Electrical connection

A. Four-wire connection...

POWER SUPPLY CORD

⚠ WARNING



Electrical Shock Hazard

Turn power supply off before connecting cord.

Use a new 30 ampere power supply cord.

Plug into a grounded outlet.

Failure to follow these instructions can result in death, fire, or electrical shock.

1. Turn power supply off.

2. Remove hold-down screw and terminal block cover.

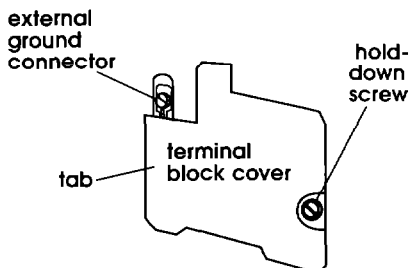


Figure 6

3. Attach 3/4" U.L.-listed strain relief (U.L. marking on strain relief) to the hole below terminal box opening (see Figure 7). Tighten strain relief firmly to cabinet so it is in a horizontal position. Place power supply cord through the strain relief.

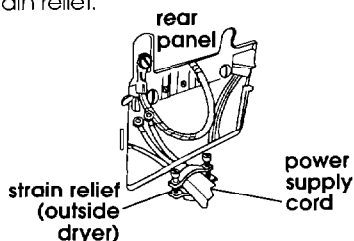


Figure 7

4. Remove the center terminal block screw. Remove the neutral green with yellow stripe ground wire from external ground conductor screw. Connect neutral green with yellow stripe ground wire and the neutral wire (white or center) of power supply cord under the center screw of terminal block.

Connect the other two insulated wires under outer terminal block screws.

Connect the green, ground wire from the power supply cord to the external ground conductor screw (see Figure 8).

Tighten all terminal block screws firmly.

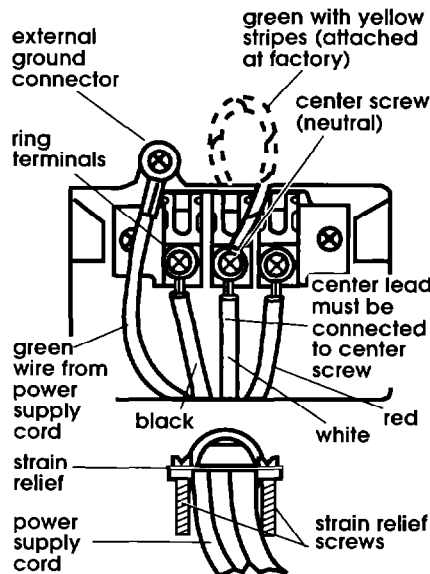


Figure 8

5. Tighten strain relief screws.

6. Insert tab of terminal block cover into slot of the dryer rear panel (see Figure 6). Secure cover with hold-down screw.

DIRECT WIRE

⚠ WARNING



Electrical Shock Hazard

Turn power supply off before connecting wires.

Use 10 gauge solid copper wire.

Electrically ground dryer.

Failure to follow these instructions can result in death, fire, or electrical shock.

1. Turn power supply off.

2. Strip 5 inches of outer covering from end of cable. Cut 1-1/2 inches off of the three insulated wires. Strip 1 inch of insulation from the end of each insulated wire (see Figure 9).

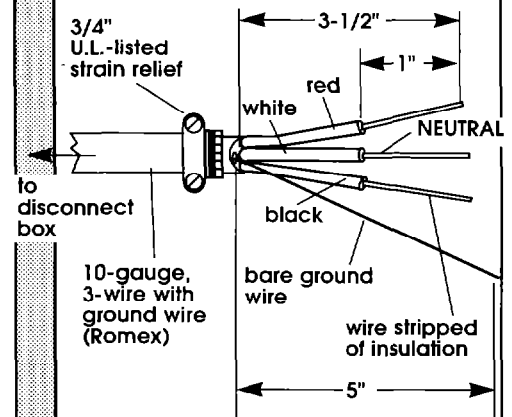


Figure 9

u-shaped hook



Shape the end of each wire into a "U" shaped hook (see Figure 10). The bare wire must be 4-1/2" long after forming the hook.

Figure 10

3. Remove hold-down screw and terminal block cover.

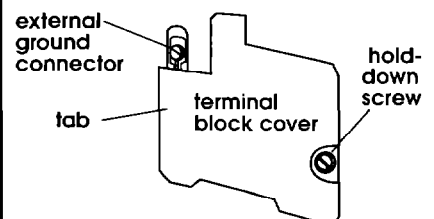


Figure 11

4. Attach 3/4" U.L.-listed strain relief (U.L. marking on strain relief) to the hole below terminal box opening (see Figure 12). Tighten strain relief firmly to cabinet so it is in a horizontal position. Place direct wire cable through the strain relief.

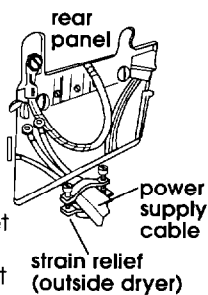


Figure 12

5. Remove the center terminal block screw. Remove the neutral green with yellow stripe ground wire from external ground conductor screw. Connect neutral green with yellow stripe ground wire and the neutral wire (white or center) of direct wire cable under the center screw of terminal block. Place the hook-shaped end of the wire over the terminal block screw with open side of the hook facing to the right. Squeeze hook end of wire together to form a loop.

Connect the other two insulated wires under outer terminal block screws. Attach wires using the same method as the neutral wire.

Connect the direct wire cable (bare) ground wire to the external ground conductor screw (see Figure 13).

Tighten all terminal block screws firmly.

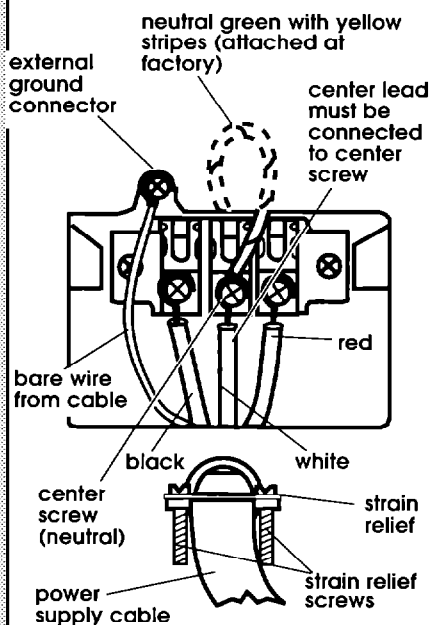


Figure 13

6. Tighten strain relief screws.

7. Insert tab of terminal block cover into slot of the dryer rear panel (see Figure 11). Secure cover with hold-down screw.

B.

Three-wire connection...

Where local codes permit connecting frame-ground conductor to the neutral wire:

This dryer is manufactured with the frame-ground conductor connected to the **NEUTRAL** (center) of the wiring harness at the terminal block. If local codes do **Not** permit this type of connection, use "Four-wire connection" instructions.

POWER SUPPLY CORD

⚠ WARNING



Electrical Shock Hazard

Turn power supply off before connecting cord.

Use a new 30 ampere power supply cord.

Plug into a grounded outlet.

Failure to follow these instructions can result in death, fire, or electrical shock.

1. Turn power supply off.

2. Remove hold-down screw and terminal block cover.

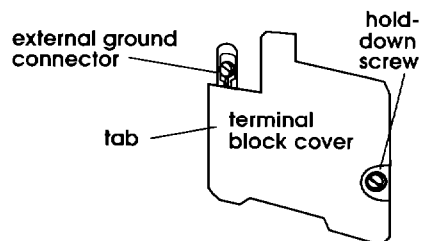


Figure 14

3. Attach 3/4" U.L.-listed strain relief (U.L. marking on strain relief) to the hole below terminal box opening (see Figure 15). Tighten strain relief firmly to cabinet so it is in a horizontal position. Place power supply cord through strain relief.

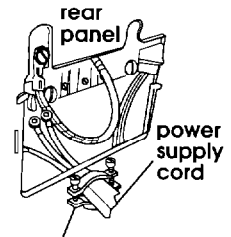


Figure 15

4. Loosen or remove terminal block screws. Connect the neutral wire (white or center) of power supply cord under the center screw of the terminal block.

Connect the other two wires to outer terminal block screws (see Figure 16).

Tighten all terminal block screws firmly.

Center wire MUST be connected to center screw.

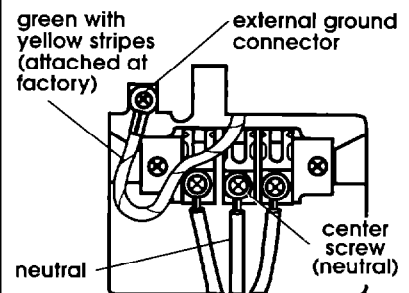


Figure 16

5. Tighten strain relief screws.

6. Insert tab of terminal block cover into slot of the dryer rear panel (see Figure 14). Secure cover with hold-down screw.

DIRECT WIRE

⚠ WARNING



Electrical Shock Hazard

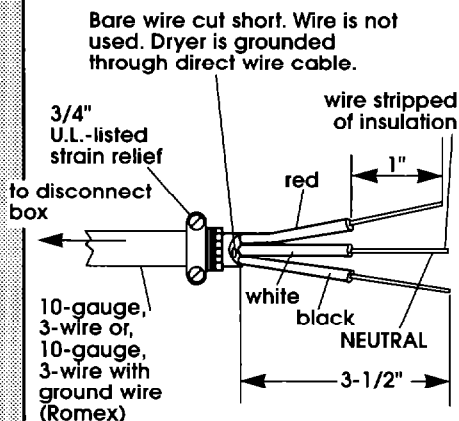
Turn power supply off before connecting wires.

Use 10 gauge solid copper wire. Electrically ground dryer.

Failure to follow these instructions can result in death, fire, or electrical shock.

1. Turn power supply off.

2. Strip 3-1/2 inches of outer covering from end of cable. If using three-wire cable with ground wire, cut the bare wire even with outer covering. Strip 1 inch of insulation from the end of each insulated wire (see Figure 17).



Direct wire preparation

Figure 17



Figure 18

Shape the end of each wire into a "U" shaped hook (see Figure 18).

3. Remove hold-down screw and terminal block cover.

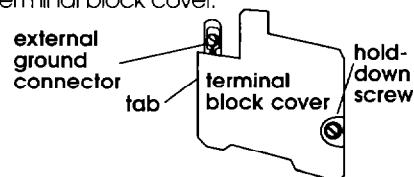


Figure 19

4. Attach 3/4" U.L.-listed strain relief (U.L. marking on strain relief) to the hole below terminal block opening (see Figure 20). Tighten strain relief firmly to cabinet so it is in a horizontal position. Place direct wire cable through strain relief.

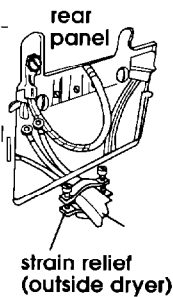


Figure 20

5. Loosen or remove terminal block screws. Connect the neutral wire (white or center) of direct wire cable under the center screw of the terminal block. Place the hook-shaped end of the wire over the terminal block screw with open side of the hook facing to the right. Squeeze hook end of wire together to form a loop.

Connect the other two wires under the outer terminal block screws. Attach wires using the same method as the neutral wire (see Figure 21).

Tighten all terminal block screws firmly.

Center wire MUST be connected to center screw.

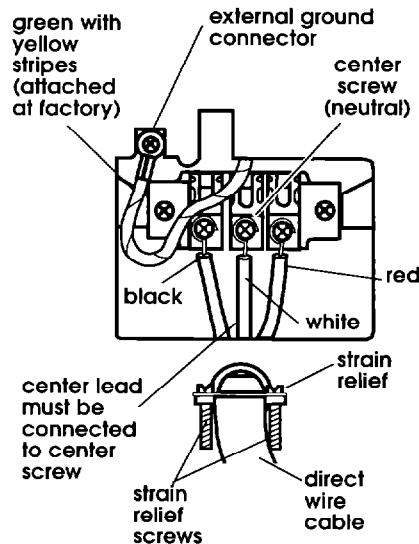


Figure 21

6. Tighten strain relief screws.

7. Insert tab of terminal block cover into slot of the dryer rear panel (See Figure 19). Secure cover with hold-down screw.

Power Supply Cord or Direct Wire

Where local codes DO NOT permit connecting the frame-ground conductor to the neutral (white) wire:

1a. Turn power supply off.

2a. Complete Power Supply Cord Steps 2-3, Page 7 or Direct Wire Steps 2-4, Pages 7-8.

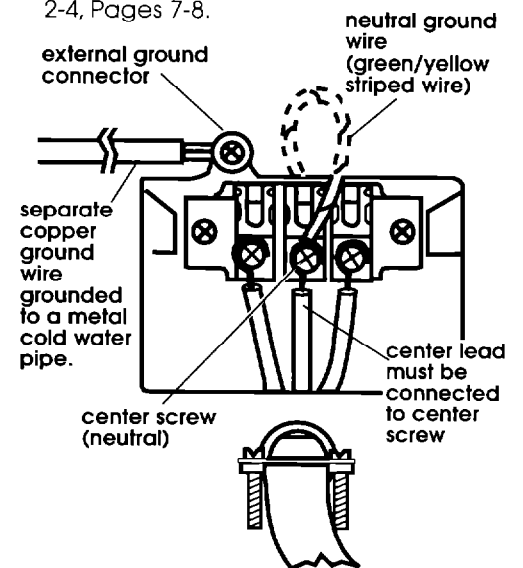


Figure 22

3a. Remove the neutral ground wire (green/yellow striped wire) from external ground connector screw. Remove center terminal block screw and fasten neutral ground wire to screw (see Figure 22).

4a. Complete Power Supply Cord Steps 4-6, Page 7, or Direct Wire Steps 5-7, Page 8.

5a. After reattaching the terminal block cover, connect separate copper ground wire from external ground connector to grounded metal cold water pipe. Contact a qualified electrician to assure that ground path is adequate (see Figure 23).

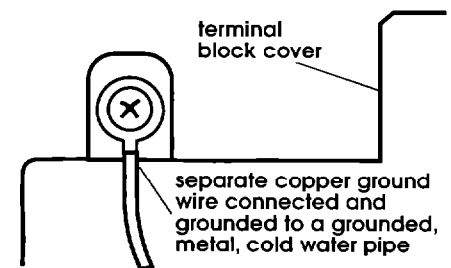
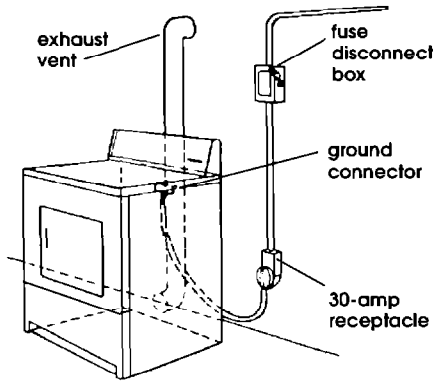


Figure 23

Now start...

With dryer in laundry area...



1. Put on safety glasses and gloves. Take tape off front corners of dryer.

2. Open dryer and remove literature and parts packages. Remove parts from packages. Check that all parts were included.

3. Remove the tape that holds the drum to the cabinet. (Some dryer drums are not taped for shipping.) Move the drum by hand to make sure all tape has been removed. Wipe the interior of the drum thoroughly with a damp cloth. Remove tape from the lint screen.

4. Take two of the cardboard corners from the carton and place them on the floor in back of the dryer.

5. Firmly grasp the body of the dryer and gently lay it on its back on the cardboard corners.

6. With one of the legs in hand, check the ridges for a diamond marking. That's how far the leg is supposed to go into the hole.

7. Start to screw the leveling legs into the holes by hand. (Use a small amount of liquid detergent to lubricate the screw threads so it is easier to turn the legs.) Use a 1-inch wrench or socket wrench to finish turning the legs until you reach the diamond mark.

8. Stand the dryer up.

Slide dryer onto cardboard or hardboard before moving across floor to avoid damaging floor covering.

9. Move dryer close to final position. Remove cardboard or hardboard from under dryer.

10. Carefully move dryer into final position. Place level on top of the dryer, first side to side; then front to back. If the dryer is not level, adjust the legs of the dryer up or down until the dryer is level.

11. To exhaust dryer, see "Exhaust requirements," Pages 2-3. Connect exhaust vent to exhaust hood. Use duct tape to seal all joints in the exhaust vent. Use caulking to seal exterior wall opening around exhaust hood.

12. Plug power supply cord into grounded outlet or connect power supply cable.

13. Insert user card and push START button. Using a full heat cycle (not the air cycle), let the dryer run for at least five minutes. Open dryer and check that there is heat.

Note: Dryer door must be closed for dryer to operate. When door is open, dryer stops, but timer continues to run. To restart dryer, close door and push START button.

Recessed area and closet installation instructions

This dryer may be installed in a recessed area or closet.

The installation spacing is the minimum allowable. Additional spacing should be considered for ease of installation, servicing and compliance with local codes and ordinances.

If closet door is installed, the minimum unobstructed air openings in the top and bottom are required. Door must have two centered openings as illustrated. Both openings must provide a minimum of 72 square inches of unobstructed airflow as shown. Louvered doors with equivalent air openings are acceptable.

Companion appliance spacing should be considered.

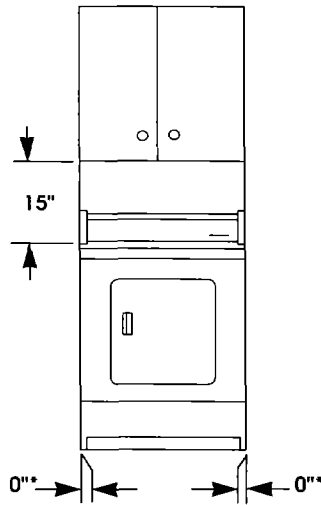
For closet installation, to prevent large amounts of lint and moisture from accumulating, to maintain drying efficiency, and to prevent exposure to possible health hazards, dryers must be exhausted outdoors.

Recessed non-exhausted installation must use only the rear exhaust position, and Exhaust Deflector Kit, Part No. 3391278 (electric dryer only), is required.

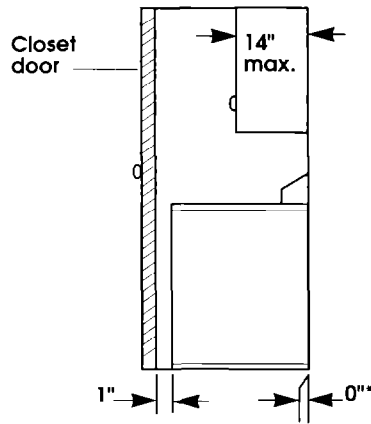
Shelf or cabinet is not permitted above dryer when non-exhausted.

No other fuel-burning appliance may be installed in the same closet.

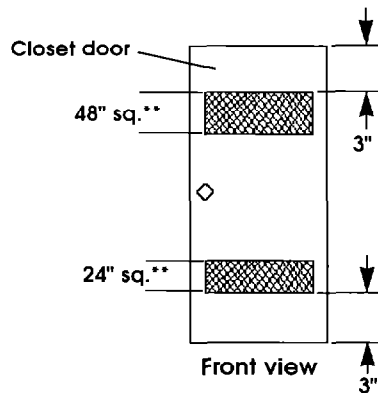
Detailed space requirements for recessed area and closet installations can be found on the label on the back panel of the dryer.



Recessed front view



Side view

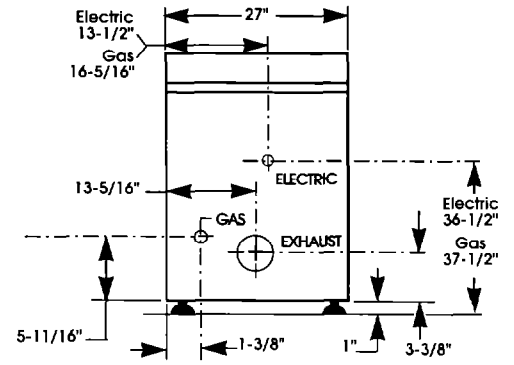


Front view

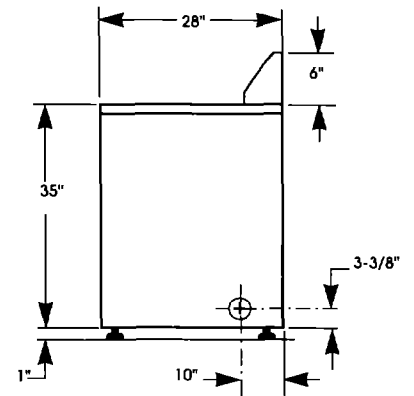
* Additional clearances for wall, door and floor moldings may be required or if external exhaust elbow is used.

** Opening is minimum for closet door. Louvered door with equivalent air opening is acceptable.

Product dimensions



Back view



Side view

Moving the dryer to a new location...

Slide dryer onto cardboard or hardboard before moving across floor to avoid damaging floor covering.

Gas dryer models:

- Disconnect power supply cord. Tape securely to dryer.
- Shut off the gas supply valve in the gas supply line.
- Disconnect gas pipe and fittings from dryer and cap gas supply line. Tape end of dryer gas pipe.

Before installing gas dryer in a new location, check with your gas supplier or dealer to see that your dryer is equipped with the correct burner for the particular type of gas in your new building. Burner information may be found on the rating plate in the door well of the dryer.

Electric dryer models:

- Shut off electrical supply to dryer.
- Disconnect the power supply cord or cable from the dryer terminal block.

All models:

- Make sure leveling legs are secure in dryer base.
- Tape drum to front panel.
- Tape dryer door and lint screen.

If dryer does not operate...

Check the following to be sure that:

1. Electrical supply is connected.
2. Circuit breakers are not tripped or house fuses blown.
3. Door is closed.
4. User card has been inserted.
5. START button has been pushed.
6. For gas dryers, check that gas supply line shutoff valve is set in open position.

If you need assistance...

The Whirlpool Consumer Assistance Center will answer any questions about operating or maintaining your dryers not covered in the Installation Instructions. The Whirlpool Consumer Assistance Center is open 24 hours a day, 7 days a week. Just dial 1-(800)-253-1301 — the call is free.

When you call, you will need the dryer model number and serial number. Both numbers can be found on the model/serial rating plate located in the door well behind the dryer door and on the front of opening.



Free Manuals Download Website

<http://myh66.com>

<http://usermanuals.us>

<http://www.somanuals.com>

<http://www.4manuals.cc>

<http://www.manual-lib.com>

<http://www.404manual.com>

<http://www.luxmanual.com>

<http://aubethermostatmanual.com>

Golf course search by state

<http://golfingnear.com>

Email search by domain

<http://emailbydomain.com>

Auto manuals search

<http://auto.somanuals.com>

TV manuals search

<http://tv.somanuals.com>