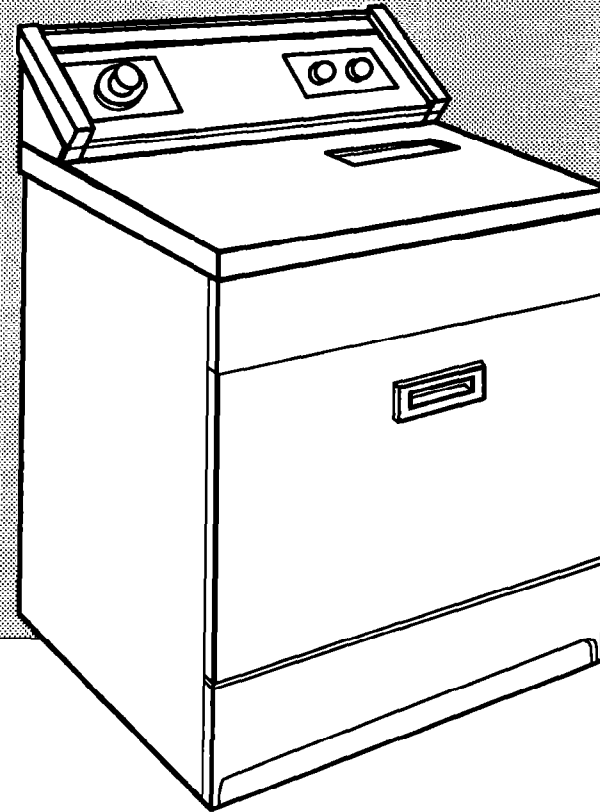


Installation Instructions



Part No. 3394023 Rev. A

IMPORTANT:
Read and save
these instructions.

Electric Dryer

IMPORTANT:

Installer: Leave Installation Instructions with the homeowner.

Homeowner: Keep Installation Instructions for future reference.

Save Installation Instructions for local electrical inspector's use.



9/94

Before you start...

Check location where dryer will be installed. Proper installation is your responsibility. The dryer must not be installed or stored in an area where it will be exposed to water and/or weather. Make sure you have everything necessary for correct installation.

Protection from the weather: Proper operation of dryer cycles requires temperatures above 45°F (7.2°C), or the dryer may not shut off when automatic cycles are used.

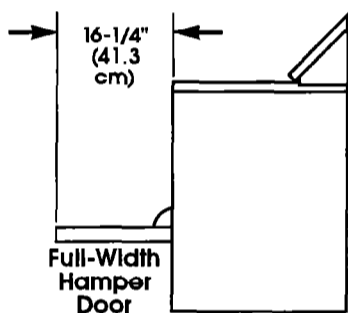
Check code requirements: Some codes limit or do not permit installation of clothes dryers in garages, closets, mobile homes, or sleeping quarters. Contact your local building inspector.

Grounded (earthed) electrical supply is required. See "Electrical requirements," Panel A.

Four-inch (10.2 cm) metal exhaust duct is required.

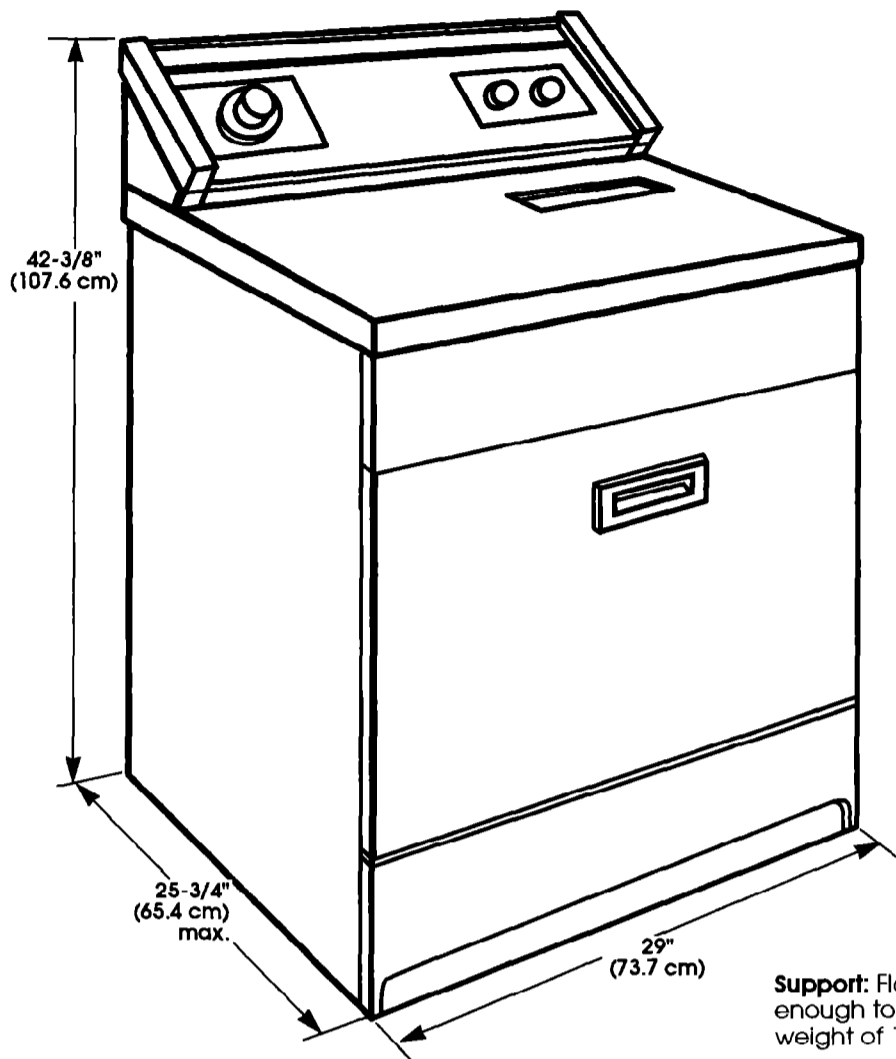
Dryer Door Clearance

Location must be large enough to fully open dryer door. See Panel C for recessed and closet requirements.



Important: Observe all governing codes and ordinances.

Open dryer and remove literature and parts packages.



Level floor: 1-inch (2.5 cm) maximum slope under entire dryer.

Support: Floor must be sturdy enough to support dryer weight of 150 (68 kg) pounds.

⚠ WARNING

Electrical Shock Hazard

It is the customer's responsibility:

- To contact a qualified electrical installer.
- To assure that the electrical installation is adequate.

Failure to do so could result in fire, electrical shock or other personal injury.

Fire Hazard

- Do Not store gasoline, paint thinners, or other flammable materials near dryer. Fumes from such materials may result in fire or explosion.
- Never install dryer up against draperies or curtains or on carpet.
- Keep any and all items from falling or collecting behind the dryer.

Failure to follow these instructions could result in a fire or explosion.

⚠ WARNING

Fire Hazard

If you install the dryer in a garage, carport, or areas near vehicles where fumes from gasoline or other flammable materials may be present, the vapors may be heavier than air and remain near floor. Place dryer a minimum of 18 inches (45.7 cm) above floor. Check with your building inspector regarding requirements for this installation.

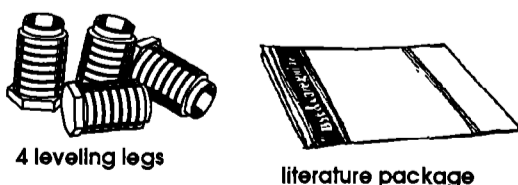
Failure to follow these instructions could result in fire or explosion.

Tools and materials needed for installation:



Parts supplied for installation:

Remove parts from packages. Check that all parts were included.



Electrical requirements

⚠ WARNING

Electrical Shock Hazard

- **Electrical ground (earth) is required on this appliance.**
 - Do Not modify the power supply cord plug. If it does not fit the outlet, have a proper outlet installed by a qualified electrician.
 - Do Not have a fuse in the neutral or grounding (earthing) circuit. A fuse in the neutral or grounding (earthing) circuit could result in an electrical shock.
 - Do Not use an extension cord with this appliance.
 - Check with a qualified electrician to be sure this appliance is properly grounded (earthed).
 - Do Not connect plug end of power supply cord into a live receptacle before connecting power supply cord to dryer terminal block.
 - Do Not reuse old power supply cord.
- Failure to follow these instructions could result in serious injury or death.

1. A two-wire plus grounding (earthing) wire, single-phase, 240-volt, 50-Hz, AC-only, electrical supply is required on a separate 20-ampere circuit, fused in the active line. Time-delay fuse or circuit breaker is recommended.

2. THE DRYER MUST BE CONNECTED WITH COPPER WIRE ONLY.

3. The appliance may be connected directly to the fused disconnect or circuit breaker box through flexible, armored or non-metallic sheathed copper cable. Allow two or three feet of slack in the line between the wall and the appliance so that it can be moved if servicing is ever necessary. A conduit connector must be provided at each end of the power supply cable (at the appliance and at the junction box). Wire sizes (COPPER WIRE ONLY) and connections must conform with the rating of the appliance (20 amperes).

Important: Observe all governing codes and ordinances.

Grounding (earthing) instructions

This appliance must be connected to a grounded (earthed) metal, permanent wiring system; or an equipment-grounding (earthing) conductor must be run with the circuit conductors and connected to the equipment-grounding (earthing) terminal or lead on the appliance.

Electrical connection

THE ELECTRICAL CONNECTION OF THIS APPLIANCE MUST BE CARRIED OUT BY A LICENSED ELECTRICIAN AND MUST CONFORM WITH THE RELEVANT AUSTRALIAN STANDARDS.

Exhaust requirements

⚠ WARNING

Fire/Health Hazard

- Do Not use non-metal, flexible duct.
- Do Not use metal duct smaller than four inches (10.2 cm) in diameter.
- Do Not use exhaust hoods with magnetic latches.
- Check that exhaust system is not longer than specified. Exhaust systems longer than specified will:
 - Accumulate lint.
 - Shorten the life of the dryer.
 - Reduce performance, resulting in longer drying times and increased energy usage.

Failure to follow specifications may result in a fire.

- Do Not exhaust dryer into a chimney, furnace cold air duct, attic or crawl space, or any other duct used for venting.
 - Clean the exhaust system every other year.
 - Do Not install flexible duct in enclosed walls, ceilings or floors.
- Accumulated lint could be fuel for a fire or cause moisture damage.

Exhausting your dryer indoors is Not recommended. The moisture and lint indoors may cause:

- Lint to gather inside and around the dryer and be a fuel for fire.
- Moisture damage to woodwork, furniture, paint, wallpaper, carpet, etc.
- Housecleaning problems and possible health problems.

Failure to follow these instructions could result in fire damage, property damage, personal injury or health problems.

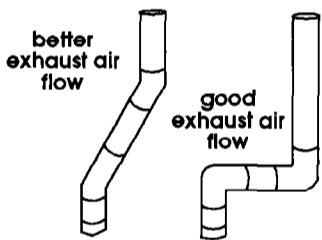
If using an existing exhaust system, clean lint from entire length of exhaust system. Make sure exhaust hood is not plugged with lint.

Replace plastic exhaust duct with rigid metal or flexible metal duct.

Use duct tape to seal all joints.



Four-inch (10.2 cm) rigid metal pipe is preferred. Plan installation to use the fewest number of elbows and turns.

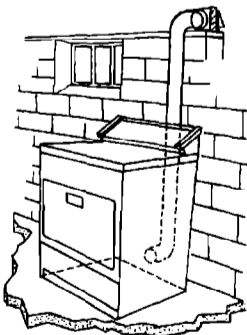


Metal flexible duct must be fully extended and supported when the dryer is in its final position. DO NOT KINK OR CRUSH THE DUCT. The metal flexible duct must be completely open to allow adequate exhaust air to flow.

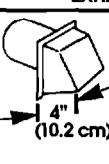
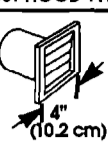

Allow as much room as possible when using elbows or making turns. Bend duct gradually to avoid kinking. Remove excess flexible duct to avoid sagging and kinking that may result in reduced air flow.

Exhaust outlet is located at the center of the bottom dryer back.

The exhaust duct can be routed up, down, left, right or straight out the back of the dryer. General space requirements are provided on Panel C. Use the straightest path you can, where possible, to avoid 90° turns.



Maximum length of the exhaust system depends upon the type of duct used, number of elbows and the type of exhaust hood. The maximum length for both rigid and flexible duct is shown in chart.

NUMBER OF 90° TURNS	EXHAUST HOOD TYPE			
				
0	40 ft. (12 m)	40 ft. (12 m)	35 ft. (10.5 m)	MAX. LENGTH OF 4" DIA. (10.2 cm) RIGID METAL DUCT
1	30 ft. (9 m)	30 ft. (9 m)	25 ft. (7.5 m)	
2	20 ft. (6 m)	20 ft. (6 m)	20 ft. (6 m)	
0	25 ft. (7.5 m)	25 ft. (7.5 m)	18 ft. (5.4 m)	MAX. LENGTH OF 4" DIA. (10.2 cm) FLEXIBLE METAL DUCT
1	19 ft. (5.7 m)	19 ft. (5.7 m)	12 ft. (3.6 m)	
2	15 ft. (4.5 m)	15 ft. (4.5 m)	10 ft. (3 m)	

The maximum length using a 2" (5.1 cm) x 6" (15.2 cm) rectangular duct with 2 elbows and a 2-1/2" (6.4 cm) (TYPE C) exhaust hood is 8 ft (20.3 cm).

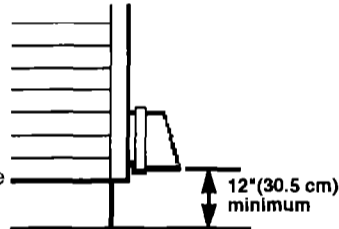
For exhaust systems not covered by the exhaust length chart, check with your dealer or distributor for information.

Service check: The back pressure in any exhaust system used must not exceed 0.6 inches (1.5 cm) of water column measured with an inclined manometer at the point that the exhaust duct connects to the dryer.

Exhausting the dryer outside is recommended. A closet installation must be exhausted outside. Recessed installation that is not exhausted outside must use Exhaust Deflector Part No. 3391278 available from your dealer. See "Recessed and closet installation instructions", Panel C, for adequate unobstructed air opening requirements.

If the dryer is installed in a confined area such as a bedroom, bathroom, or closet, it must be exhausted to the outside and provision must be made for enough air for combustion and ventilation. Check governing codes and ordinances. Also refer to the "Recessed and closet installation instructions," Panel C.

An exhaust hood should cap the exhaust duct to prevent exhausted air from returning into dryer. The outlet of the hood must be at least 12 inches (30.5 cm) from the ground or any object that may be in the path of the exhaust.

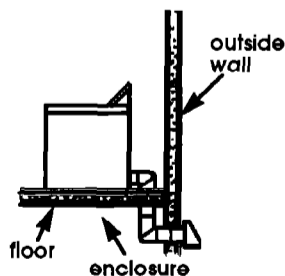


Four-inch outlet exhaust hood is preferred. However, a 2-1/2-inch (6.4 cm) outlet exhaust hood may be used. A 2-1/2-inch (6.4 cm) outlet exhaust hood can result in longer drying times than other hood types.

For permanent installation, a stationary exhaust system is required.

Mobile home installation

This appliance is suitable for mobile home installations. The installation of the dryer must conform to the Manufactured Home Construction and Safety Standard, Title 24 CFR, Part 3280 (formerly the Federal Standard for Mobile Homes Construction and Safety, Title 24, HUD Part 280, 1975) or the latest edition.

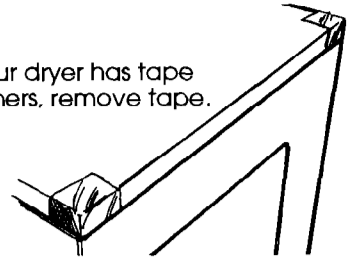


Mobile home exhaust requirements: The dryer must have an outside exhaust. If the dryer is exhausted through the floor and the area under the mobile home is enclosed, the exhaust system must terminate outside the enclosed area. Extension beyond the enclosure will prevent lint and moisture buildup under the mobile home.

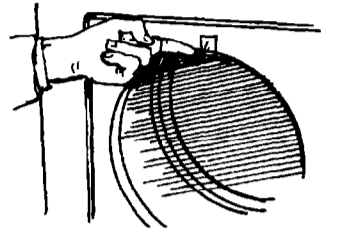
Now start...

With dryer in laundry area.

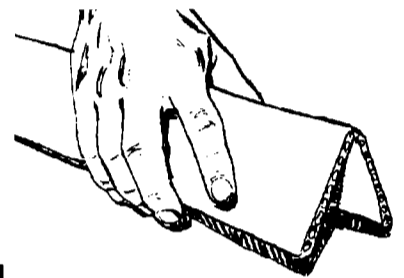
1. If your dryer has tape at front corners, remove tape.



2. Open dryer and remove literature and parts packages. Remove drying rack if your dryer has one. Remove parts from packages. Check that all parts were included (see Panel A).



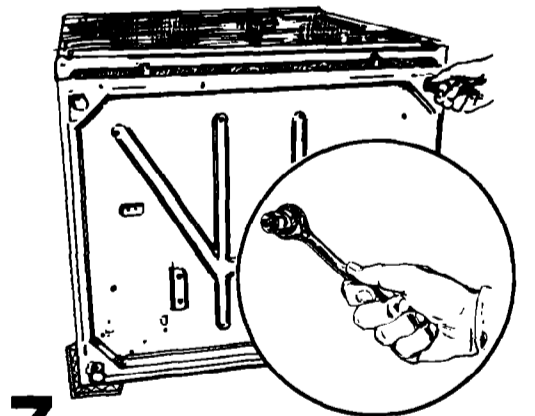
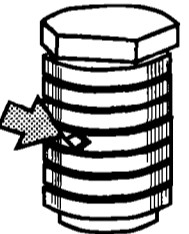
3. Remove the tape that holds the drum to the cabinet. (Some dryer drums are not taped for shipping.) Move the drum by hand counterclockwise to make sure all tape has been removed. Wipe the interior of the drum thoroughly with a damp cloth before using the dryer.



4. Take two of the cardboard corners from the carton and place them on the floor in back of the dryer.

5. Firmly grasp the body of the dryer and gently lay it on its back on the cardboard corners.

6. With one of the legs in hand, check the ridges for a diamond marking. That's how far the leg is supposed to go into the hole.



7. Start to screw the legs into the holes by hand. Use a 1" (2.5 cm) socket wrench or other type wrench to finish turning the legs until you reach the diamond marking.

⚠ CAUTION

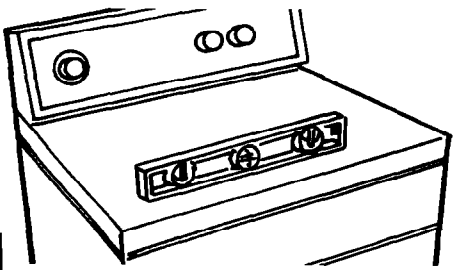
Floor Damage

Slide dryer onto cardboard or hardboard before moving across floor. Failure to do so may cause damage to floor covering.

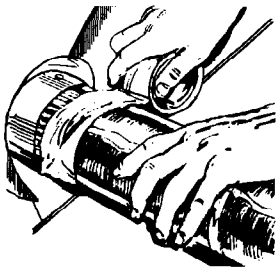
8. Now stand the dryer up. Slide dryer onto cardboard or hardboard.

9. Move the dryer close to its permanent location, but leave enough room to connect exhaust duct. Remove cardboard or hardboard from under dryer.

10. The electrical connections must be done by a licensed electrician.

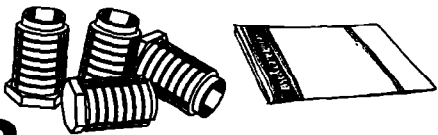


11. Check levelness of dryer by placing level on top of the dryer, first side to side, then front to back. If dryer is not level, adjust the legs of the dryer up or down. Dryer must be level to prevent noise and poor drying performance.

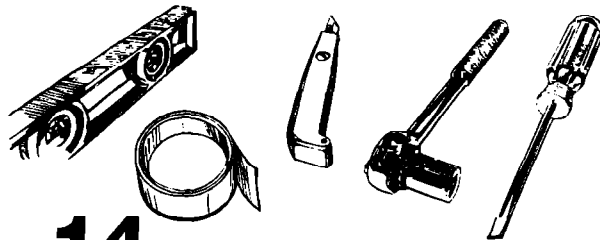


12. Connect exhaust duct to exhaust hood and dryer. (See Exhaust requirements, Panel B.)

- Use the straightest path possible to avoid 90° turns.
- Use duct tape to seal all joints in the exhaust system.
- Use caulking compound to seal exterior wall opening around exhaust hood.



13. Check that all parts you removed from the parts packages are now **Installed** in the dryer. If there is an extra part, go back through the steps to see which step was skipped.



14. Check to make sure you have all the tools you started with.

15. Carefully slide dryer into its final location. Check to be sure legs were properly installed and dryer is level.

16. Read the Use and Care Guide to fully understand your new dryer. Start the dryer and allow it to complete a full heat cycle (not the air cycle). After five minutes, open dryer door. You should feel heat inside the dryer. If you do not feel heat, follow instructions given on back cover. "If dryer does not operate properly."



Recessed and closet installation instructions

The dryer may be installed in a recessed area or closet.

⚠ WARNING

Fire Hazard

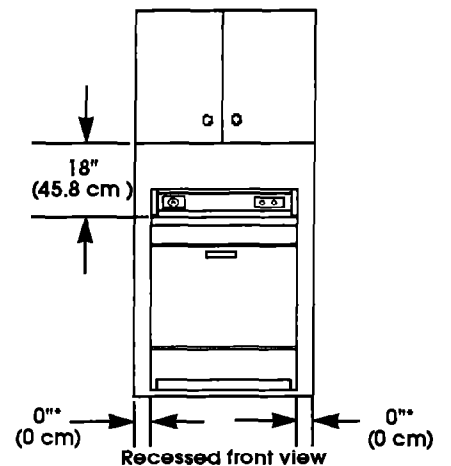
If the dryer is installed in a closet, the dryer **MUST** be exhausted outside. Failure to do so may result in a fire.

TO PREVENT LARGE AMOUNTS OF LINT AND MOISTURE FROM ACCUMULATING, TO MAINTAIN DRYING EFFICIENCY AND TO PREVENT EXPOSURE TO POSSIBLE HEALTH HAZARDS, THIS DRYER SHOULD BE EXHAUSTED OUTDOORS.

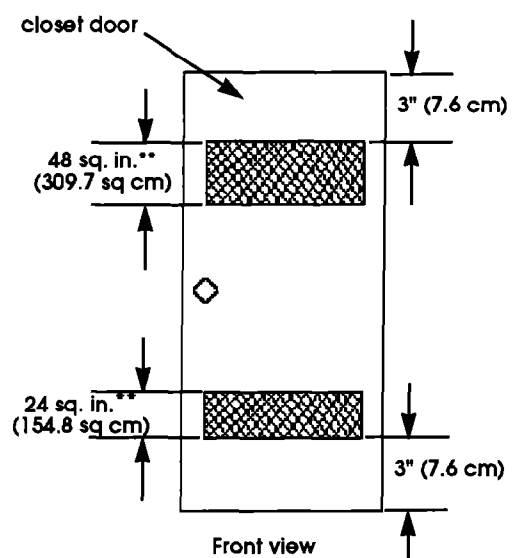
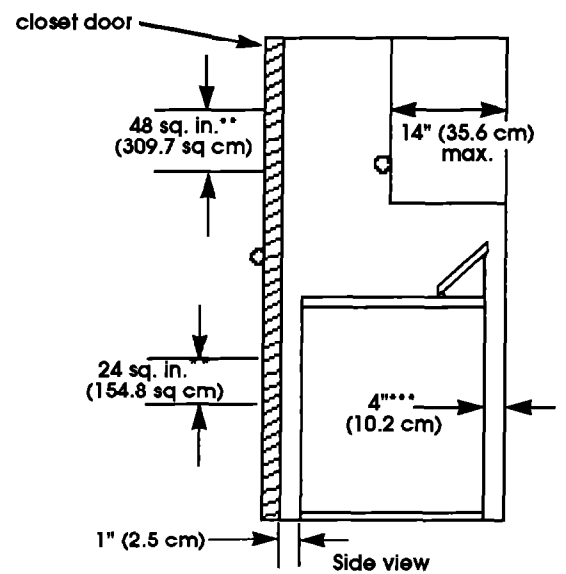
The installation spacing is in inches and centimeters and is minimum allowable. Additional spacing should be considered for ease of installation, servicing and compliance with local codes and ordinances.

If closet door is installed, the minimum unobstructed air openings in top and bottom is required. Louvered doors with equivalent air openings are acceptable. Closet installation must be exhausted. Other installations must use the minimum dimensions indicated. Companion appliance spacing should be considered.

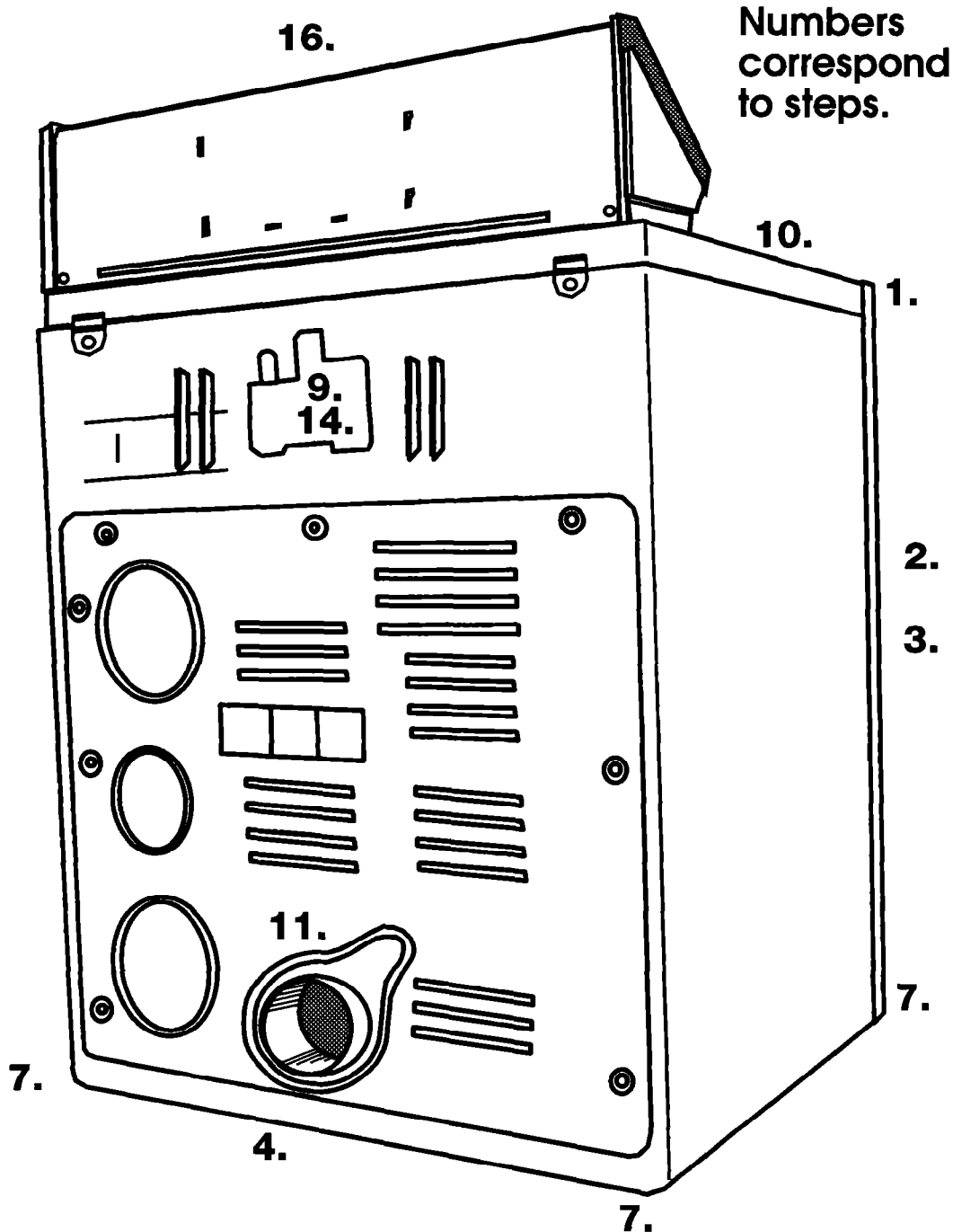
For recessed, non-exhausted installation, Exhaust Deflector Kit, Part No. 3391278, is required.



Minimum installation spacing
Closet installation must be exhausted.



- * Additional clearances for wall, door and floor moldings may be required.
- ** Opening is minimum for closet door. Louvered door with equivalent air openings is acceptable.
- *** Additional space is needed when external exhaust elbow is used.



If dryer does not operate properly...

If dryer will not operate, check the following to be sure that:

- A. Electrical supply is connected.
- B. House fuse is intact and tight or circuit breaker has not tripped.
- C. Door is closed.
- D. Controls are set in a running or "On" position.
- E. Start button has been pushed firmly.

⚠ CAUTION

Floor Damage

Slide dryer onto cardboard or hardboard before moving across floor.

Failure to do so may cause damage to floor covering.

When moving your dryer...

- Shut off electric supply to dryer.
- Disconnect power supply cord and tape securely to dryer.
- Tape the drum to the front panel.
- Tape the dryer door and lint screen.
- Screw leveling legs all the way in.

Before having your electric dryer installed in your new home, check with a licensed electrician to confirm that the supply voltage matches the voltage specified on the serial/rating plate.



Free Manuals Download Website

<http://myh66.com>

<http://usermanuals.us>

<http://www.somanuals.com>

<http://www.4manuals.cc>

<http://www.manual-lib.com>

<http://www.404manual.com>

<http://www.luxmanual.com>

<http://aubethermostatmanual.com>

Golf course search by state

<http://golfingnear.com>

Email search by domain

<http://emailbydomain.com>

Auto manuals search

<http://auto.somanuals.com>

TV manuals search

<http://tv.somanuals.com>