



Use & Care

G U I D E

Electric and Gas Dryers

A Note to You	2
Dryer Safety	3
Parts and Features	5
Checking Your Vent	6
Using Your Dryer	8
Starting your dryer.....	8
Loading	10
Selecting a cycle and temperature setting	10
Cycle descriptions	11
Fluff Air cycle	13
Using the drying rack	14
Caring for Your Dryer ..	15
Troubleshooting	18
Assistance or Service	20
Warranty	24

1-800-461-5681

Call us with questions or comments.



www.whirlpool.com/canada



A NOTE TO YOU

Thank you for buying a WHIRLPOOL* appliance.

The Whirlpool Brand is committed to designing quality products that consistently perform for you to make your life easier. To ensure that you enjoy years of trouble-free operation, we developed this Use and Care Guide. It is full of valuable information about how to operate and maintain your appliance properly and safely. Please read it carefully.

Also, complete and mail the **Ownership Registration Card** provided with your appliance. The card helps us notify you about any new information on your appliance.

Please record your model's information.

Whenever you call to request service for your appliance, you need to know your complete model number and serial number. You can find this information on the model and serial number label/plate (see diagram in the "Parts and Features" section).

Please also record the purchase date of your appliance and your dealer's name, address, and telephone number.

Model Number _____

Serial Number _____

Purchase Date _____

Dealer Name _____

Dealer Address _____

Dealer Phone _____

Keep this book and the sales slip together in a safe place for future reference.

The Consumer Relations Center number is toll-free.

1-800-461-5681

To find detailed product information, the location of the nearest Whirlpool dealer or designated servicer, to purchase an accessory item, or register your appliance on-line, please visit our Web site at
www.whirlpool.com/canada

DRYER SAFETY

Your safety and the safety of others is very important.

We have provided many important safety messages in this manual and on your appliance. Always read and obey all safety messages.



This is the safety alert symbol.

This symbol alerts you to hazards that can kill or hurt you and others.

All safety messages will be preceded by the safety alert symbol and the word "DANGER" or "WARNING". These words mean:

⚠ DANGER

You will be killed or seriously injured if you don't follow instructions.

⚠ WARNING

You can be killed or seriously injured if you don't follow instructions.

All safety messages will identify the hazard, tell you how to reduce the chance of injury, and tell you what can happen if the instructions are not followed.

WARNING: For your safety the information in this manual must be followed to minimize the risk of fire or explosion or to prevent property damage, personal injury or death.

- Do not store or use gasoline or other flammable vapors and liquids in the vicinity of this or any other appliance.
- **WHAT TO DO IF YOU SMELL GAS**
 - Do not try to light any appliance.
 - Do not touch any electrical switch; do not use any phone in your building.
 - Clear the room, building or area of all occupants.
 - Immediately call your gas supplier from a neighbor's phone.
Follow the gas supplier's instructions.
 - If you cannot reach your gas supplier, call the fire department.
- Installation and service must be performed by a qualified installer, service agency or the gas supplier.

continued on next page

IMPORTANT SAFETY INSTRUCTIONS

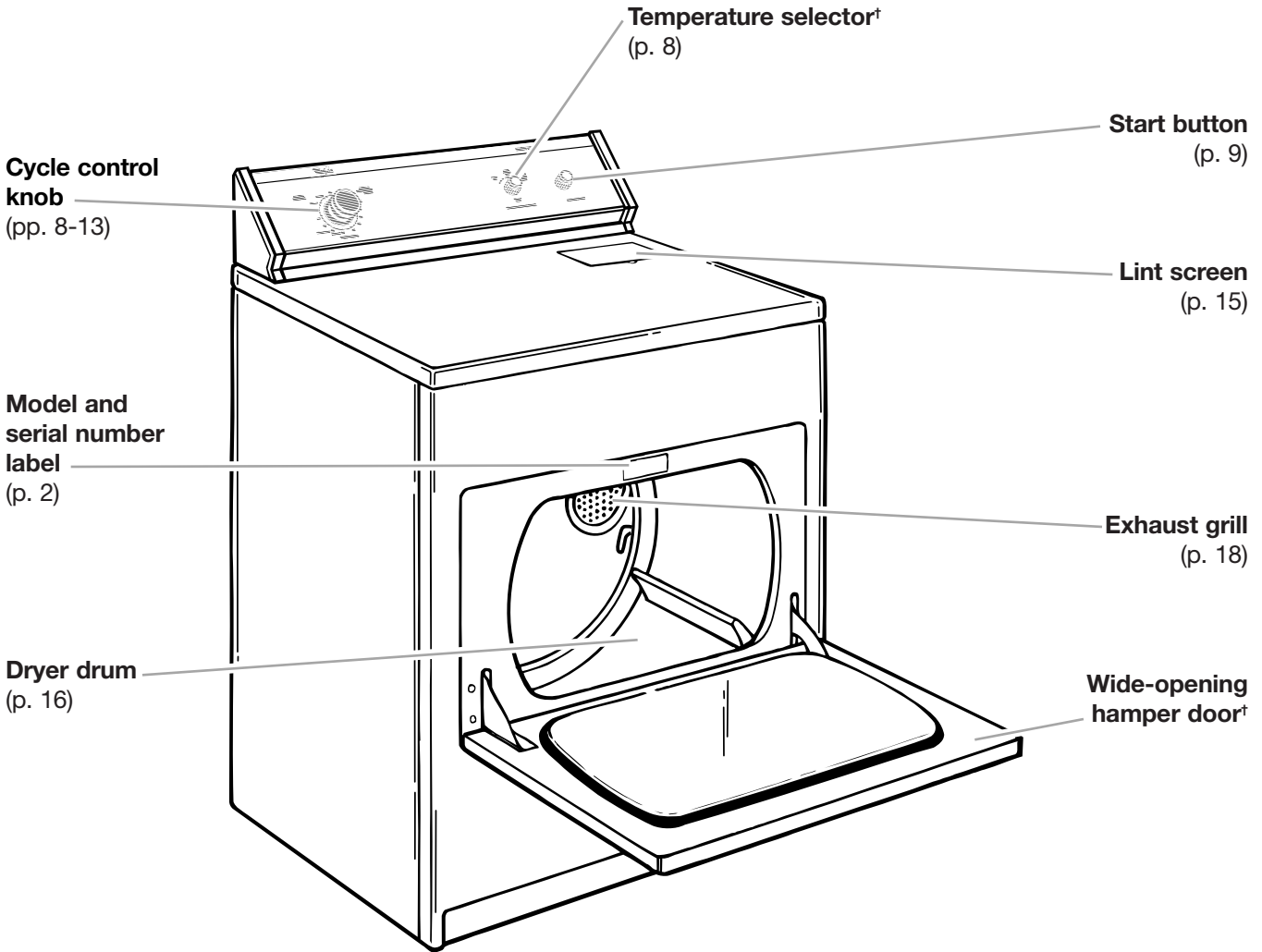
WARNING: To reduce the risk of fire, electric shock, or injury to persons when using the dryer, follow basic precautions, including the following:

- Read all instructions before using the dryer.
- Do not place items exposed to cooking oils in your dryer. Items contaminated with cooking oils may contribute to a chemical reaction that could cause a load to catch fire.
- Do not dry articles that have been previously cleaned in, washed in, soaked in, or spotted with gasoline, dry-cleaning solvents, other flammable, or explosive substances as they give off vapors that could ignite or explode.
- Do not allow children to play on or in the dryer. Close supervision of children is necessary when the dryer is used near children.
- Before the dryer is removed from service or discarded, remove the door to the drying compartment.
- Do not reach into the dryer if the drum is moving.
- Do not install or store the dryer where it will be exposed to the weather.
- Do not tamper with controls.
- Do not repair or replace any part of the dryer or attempt any servicing unless specifically recommended in this Use and Care Guide or in published user-repair instructions that you understand and have the skills to carry out.
- Do not use fabric softeners or products to eliminate static unless recommended by the manufacturer of the fabric softener or product.
- Do not use heat to dry articles containing foam rubber or similarly textured rubber-like materials.
- Clean lint screen before or after each load.
- Keep area around the exhaust opening and adjacent surrounding areas free from the accumulation of lint, dust, and dirt.
- The interior of the dryer and exhaust vent should be cleaned periodically by qualified service personnel.
- See Installation Instructions for grounding requirements.

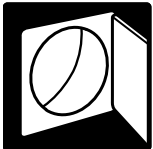
SAVE THESE INSTRUCTIONS

PARTS AND FEATURES

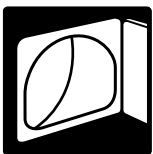
The drawings in this book may vary from your dryer model. They are designed to show the different features of all models covered by this book. Your model may not include all features.



Other doors:



Small side-swing door†
Large side-swing door†
 (Reversible door – see Installation Instructions)



Super wide-opening door†
 (Reversible door – see Installation Instructions)

Additional features your dryer may have:

- End of cycle signal selector (p. 9)
- FINISH GUARD* selector (p. 9)
- FINISH GUARD* Plus selector (p. 9)
- ACCUDRY* electronic sensor (p. 11)
- DRY MISER* automatic sensor (p. 11)
- Drying rack (p. 14)
- Lint signal (p. 16)
- Drum light (p. 17)

† On some models

CHECKING YOUR VENT

Your dryer must be properly installed and vented to achieve maximum drying efficiency and shorten drying times. Use the minimum recommended installation clearances (found in your Installation Instructions) to avoid blocking the flow of combustion and ventilation air. Install your dryer in a well-ventilated room where the temperature is always above 45°F (7°C). Also make sure that your dryer is leveled. Refer to your installation Instructions for more information.

⚠ WARNING



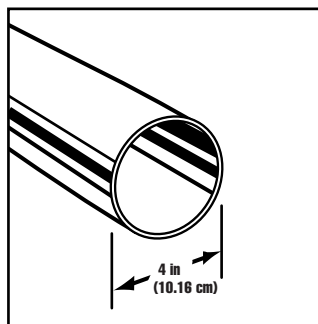
Fire Hazard

- Use a heavy metal vent.
- Do not use a plastic vent.
- Do not use a metal foil vent.
- Failure to follow these instructions can result in death or fire.

If the dryer is not properly installed and vented, it will not be covered under the warranty.

NOTE: Service calls caused by improper venting will be paid for by the customer, whether it was a paid installation or self-installed. For paid installation, call the company that installed the vent for adjustment.

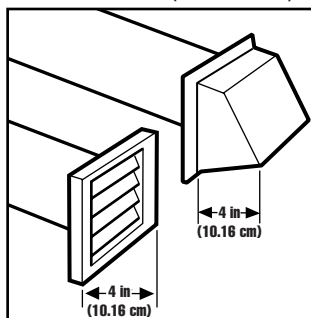
1. Do not use plastic vent or flexible metal foil vent.



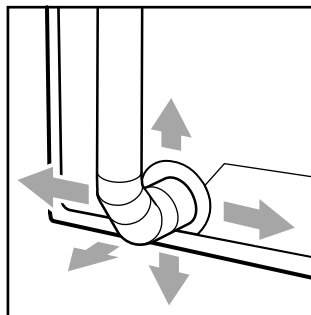
length requirements of vent.

Use 4 in (10.16 cm) heavy metal or flexible metal vent. Do not kink or crush flexible metal vent. It must be completely extended to allow adequate exhaust air to flow. Check vent after installation. Refer to your Installation Instructions for proper

2. Use a 4 in (10.16 cm) exhaust hood. Smaller hoods increase drying times.

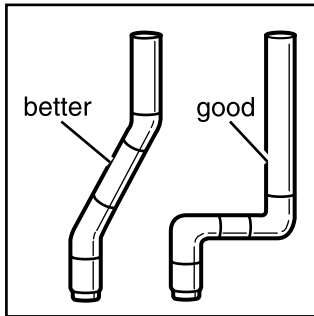


3. The exhaust vent can be routed up, down, left, right, or straight out the back of the dryer. Space requirements are listed in your Installation Instructions.

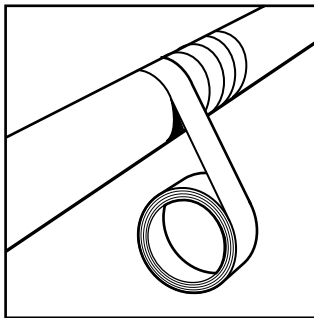


VENTING (CONT.)

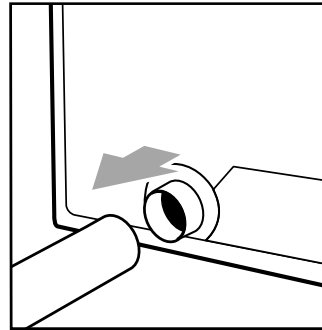
- 4.** Use the straightest path possible when routing the exhaust vent. Use the fewest number of elbows and turns. Allow room when using elbows or making turns. Bend vent gradually to avoid kinking.



- 5.** Use duct tape to seal all joints. **Do not** use screws to secure vent. Lint may catch on screws.



- 6.** Clean exhaust vent periodically, depending on use, but at least every 2 years, or when installing your dryer in a new location.



- Disconnect vent from the dryer and clean one section at a time until you reach the exhaust hood.

- Use the hose attachment on your vacuum,

or a pole or wire with a feather duster or rag attached, to clean out lint.

- Be sure the flapper on the outside end of vent moves freely.
- When cleaning is complete, be sure to follow the Installation Instructions supplied with your dryer for final product check.

USING YOUR DRYER

STARTING YOUR DRYER

⚠ WARNING



Explosion Hazard

Keep flammable materials and vapors, such as gasoline, away from dryer.

Do not dry anything that has ever had anything flammable on it (even after washing).

Failure to follow these instructions can result in death, explosion, or fire.

⚠ WARNING



Fire Hazard

No washer can completely remove oil.

Do not dry anything that has ever had any type of oil on it (including cooking oils).

Items containing foam, rubber, or plastic must be dried on a clothesline or by using an Air Cycle.

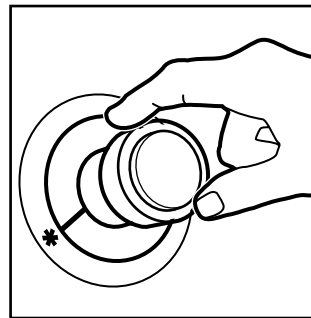
Failure to follow these instructions can result in death or fire.

Before using your dryer, wipe the dryer drum with a damp cloth to remove dust from storing and shipping.

1. Load clothes loosely into the dryer and close the door. Do not pack the dryer; allow space for clothes to tumble freely.



2. Turn the Cycle Control knob to the recommended cycle for the type of load being dried.



● Use the Energy Preferred Automatic Setting (*) to dry most loads.

NOTE: On some models, the Temperature selector is part of the Cycle Control knob.

3. If your dryer has a Temperature selector, set it to the recommended setting for the type of fabric being dried. The cycle descriptions on the following pages include temperature setting suggestions.

4. (OPTIONAL STEP) Some dryers have an On/Off FINISH GUARD® selector, or an Off/30 min. or 90 min. FINISH GUARD® Plus selector. These features protect your clothes from wrinkling when you do not remove them from the dryer as soon as it stops.

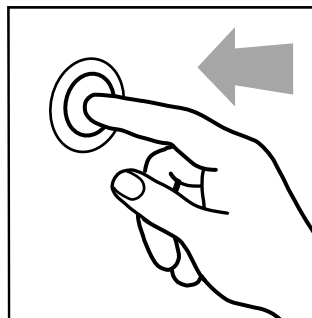
- Set the FINISH GUARD selector to On to tumble the load without heat every few minutes up to 45 minutes after the drying cycle ends.
- The FINISH GUARD Plus selector lets you choose up to 30 or 90 minutes of periodic unheated tumble time after the drying cycle ends.
- A signal will sound every few minutes while FINISH GUARD (FINISH GUARD Plus) is running if the Cycle Signal (End of Cycle Signal) feature is set to On. The signal and cycle end when you open the dryer door.
- Set the FINISH GUARD (FINISH GUARD Plus) selector to Off if you do not want to run this feature.

NOTE: Some dryers have a FINISH GUARD feature that cannot be turned On or Off. See page 13.

5. (OPTIONAL STEP) If your dryer has a Cycle Signal (End of Cycle Signal) selector, set the selector to On if you want the dryer to sound a signal when a cycle is finished.

- The signal is helpful when you are drying permanent press, synthetics, and other items that should be removed from the dryer as soon as it stops.
- On some models, the End of Cycle Signal is part of the Start (Push to Start) button.
- On some models, the signal volume can be adjusted from Softer to Louder.

6. Push the Start (Push to Start) button.



NOTE: Your dryer stops automatically when a cycle ends.

Stopping and restarting your dryer

You can stop your dryer anytime during a cycle.

To stop your dryer:

Open the dryer door or turn the Cycle Control knob to Off.

NOTE: The Cycle Control knob should point to an Off area when the dryer is not in use.

To restart your dryer:

Close the door, select a new cycle and temperature (if desired), and push the Start (Push to Start) button.

LOADING

Loading suggestions

The chart below provides some guidelines on various types of drying loads. Load clothes loosely into the dryer. Do not pack the dryer; allow space for clothes to tumble freely.

Heavy Work Clothes	Delicates	Towels	Mixed Load
3 pair pants	3 camisoles	10 bath towels	3 double sheets
3 shirts	1 quilted robe	10 hand towels	4 pillowcases
4 pair jeans	4 slips	14 wash cloths	8 T-shirts
1 coverall	4 panties	1 bath mat	6 pair shorts
1 overall	2 bras		2 shirts
	2 nighties		2 blouses
	1 baby's dress		8 handkerchiefs

SELECTING A CYCLE AND TEMPERATURE SETTING

The following pages describe the drying cycles on your dryer. The descriptions include suggested temperature settings and drying times for various loads.

Cycle and temperature tips

- Make sure you have selected the correct cycle and temperature for your load.
- Dry most loads using the Energy Preferred Automatic Setting (*).
- Use an air cycle (or temperature setting), or line dry rubber, plastic, delicate, and heat-sensitive fabrics.
- If some types of loads in the cycle descriptions on the following pages have more than one suggested temperature setting, choose the lowest setting available on your dryer.
- The last few minutes of all cycles are without heat to make the load cooler to handle.

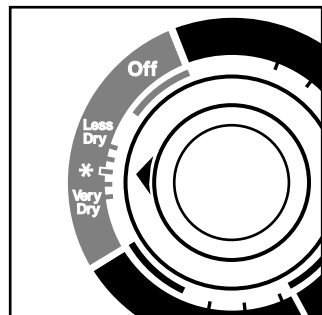
Drying tips

- Always follow care label directions when they are available.
- If you use fabric softener sheets, always use softener sheets that are labeled as dryer safe and follow package instructions carefully.
- Remove the load from the dryer as soon as tumbling stops to reduce wrinkling. This is especially important for permanent press, knits, and synthetic fabrics.

CYCLE DESCRIPTIONS

Automatic cycle(s)

Use an Automatic cycle to dry most loads.



Depending on your model, the Automatic cycle uses either the electronic ACCUDRY* system or the automatic DRY-MISER* control that senses the moisture in the load and shuts off the dryer when the selected dryness is reached.

The Cycle Control knob does not move until the load is almost dry. After the cool-down, the knob automatically turns to an Off area and tumbling stops.

- If the load is drier than you like, select a setting closer to **Less Dry** the next time you dry a similar load.
- If the load is not as dry as you like, complete drying using a Timed cycle. Select a setting closer to **Very Dry** the next time you dry a similar load.

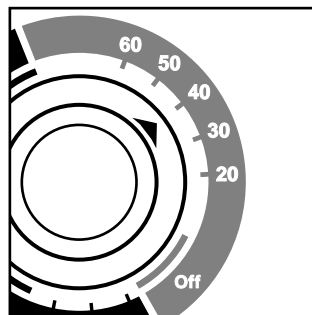
Drying time with an Automatic cycle varies according to the type of fabric, size of load, and dryness setting. Your model may not have all heat settings listed. Some general guidelines are:

- Use a high heat setting for drying heavyweight items, such as towels and work clothes.
- Use a medium heat setting for drying medium-weight items, such as sheets, underwear, permanent press clothes, and some knits.
- Use a low heat setting for drying lightweight items such as lingerie, blouses, dresses, and some knits.

NOTE: If you have any questions about drying temperatures for various loads, refer to care label directions.

Timed cycle(s)

Use a Timed drying cycle to complete drying if



some items are damp after the Automatic cycle. A Timed drying cycle is also useful for:

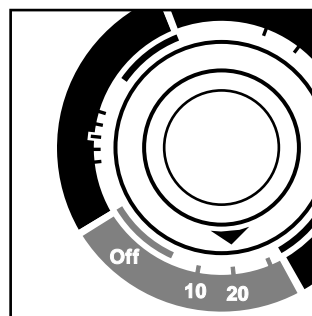
- Heavyweight and bulky items, such as bed spreads and work clothes, and large loads that require a long drying time. Set your dryer for High heat.

- Lightweight items, such as lingerie, blouses, and knits that require a short drying time. Set your dryer for Low heat.

NOTE: Drying time and temperature will depend on your dryer model.

Fluff Air cycle (on some models)

Use the unheated Fluff Air cycle for items that

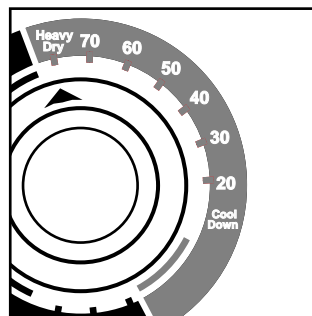


require drying without heat. The chart on page 13 includes examples of items that require air drying.

NOTE: If your model does not have the Fluff Air cycle, use the Timed Drying cycle and the "Air Only" Temperature setting, or line dry heat-sensitive items.

Heavy Dry feature (on some models)

Use the Heavy Dry feature to dry large items or



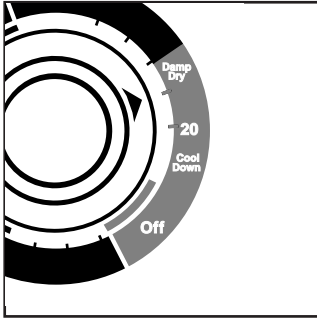
items that are thicker or heavier than a regular load (such as heavy cotton bath towels or robes.) Set your Cycle Control knob to Heavy Dry and your Temperature selector to High heat.

CYCLE DESCRIPTIONS (CONT.)

Damp Dry feature (on some models)

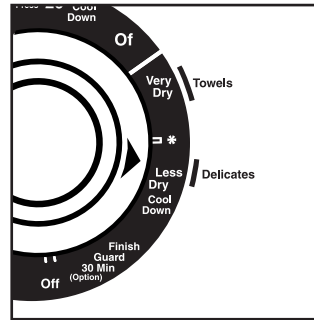
Use the Damp Dry feature in the Timed cycle to dry items to damp level or to dry items that do not require an entire drying cycle. Two examples are heavy cottons, such as jeans, which you do not want to become stiff, or cotton clothes which are easier to press when damp. Set the

Temperature selector to High heat.



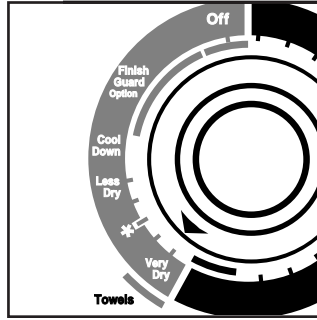
Delicates feature (on some models)

When you have small loads or loads of lightweight items to dry, you may want to use the Delicates feature in the Automatic cycle. The Delicates setting allows less drying time and automatically shuts off the dryer when the selected dryness is reached. Set the Temperature selector to Ex-Low heat.



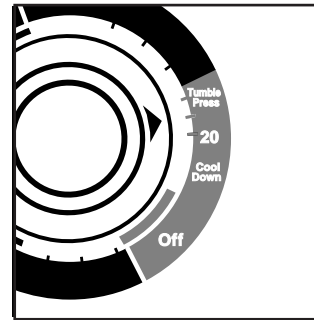
Towels feature (on some models)

When you have large loads of towels to dry, you may want to use the Towels feature in the Automatic cycle. The Towels setting allows for more drying time and automatically shuts off the dryer when the selected dryness is reached. The Towels feature also can be used for extra heavy items such as mattress pads and quilts. Set the Temperature selector to High heat.



TUMBLE PRESS* feature (on some models)

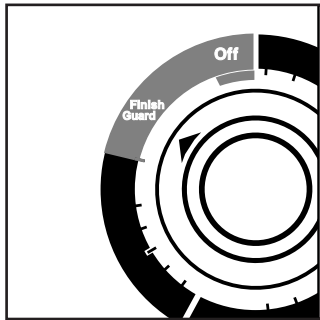
The TUMBLE PRESS feature in the Timed cycle removes wrinkles from clothes that have been packed in a suitcase or closet, or from items not removed from the dryer at the end of a cycle. As soon as the dryer stops, fold or put the items on hangers. Set the Temperature selector to Medium or Low heat.



CYCLE DESCRIPTIONS (CONT.)

FINISH GUARD* (FINISH GUARD* Plus) feature (on some models)

When you are unable to remove a load from the dryer as soon as it stops, wrinkles can form. The FINISH GUARD features periodically tumble, rearrange, and fluff the load to avoid wrinkles.



● On some models, this feature is part of the Cycle Control knob.

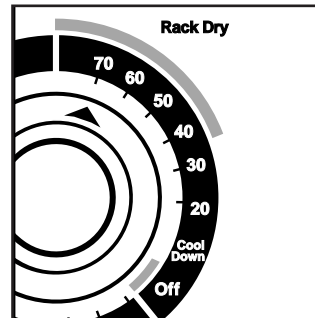
If you do not open the dryer door within a few minutes after the cycle stops, the FINISH GUARD features automatically take over to protect the load.

- On some models, you can turn the FINISH GUARD feature On or Off with a selector. (See Step 4 in “Starting Your Dryer.”)
- On models with the FINISH GUARD Plus feature, you can select up to 30 or 90 minutes of periodic unheated tumble time after the drying cycle ends.

- A signal will sound every few minutes while FINISH GUARD (FINISH GUARD Plus) is running if the Cycle Signal (End of Cycle Signal) feature is set to On. On some models, this signal is fixed and cannot be turned off. The signal and cycle end when you open the dryer door.

Rack Dry feature (on some models)

Use the Rack Dry feature to dry items without tumbling them. See “Using The Drying Rack” on page 14.



FLUFF AIR CYCLE

The chart below includes examples of items that require drying without heat. Use the Fluff Air cycle (or the Timed Drying cycle and the “Air Only” Temperature setting), or place the items on a line or rack to air dry.

- Line dry bonded or laminated fabrics.
- Always follow care label directions when they are available.

TYPE OF LOAD	FLUFF AIR CYCLE† (minutes)
Rubber, plastic, heat-sensitive fabrics Foam Rubber – Pillows, padded bras, stuffed toys ● Make sure coverings are securely stitched. ● Shake and fluff pillows by hand several times during the Fluff Air cycle. ● Make sure pillows are completely dry. Foam rubber pillows take a long time to dry. Plastic – Shower curtains, tablecloths Rubber – backed rugs Olefin, Polypropylene, Sheer nylon	20-30 20-30 40-50 10-20

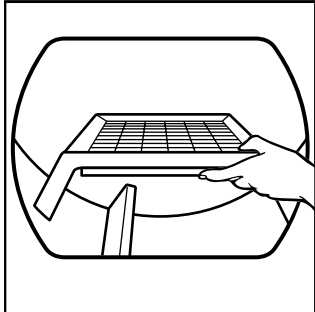
† Reset cycle as needed to complete drying. On models without the Fluff Air cycle, set the Temperature selector to Air Only and the Cycle Control knob to the desired Timed Drying cycle setting.

USING THE DRYING RACK (ON SOME MODELS)

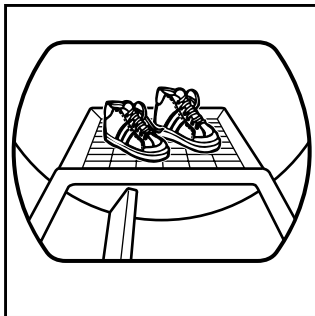
Your dryer may include a drying rack. If your model does not have a drying rack, you can order one by calling **1-800-461-5681**, or by contacting the dealer from whom you purchased your appliance.

The drying rack lets you dry items without tumbling them. The rack does not move, but the drum turns.

- 1.** Fit rear pegs of the rack into spaces in the back wall of the dryer. Lower the front so the legs rest on the dryer opening.



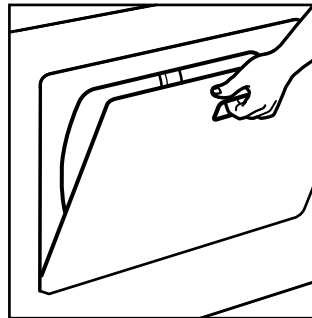
- 2.** Put wet items on top of the rack. Leave space between the items so air can reach all surfaces.



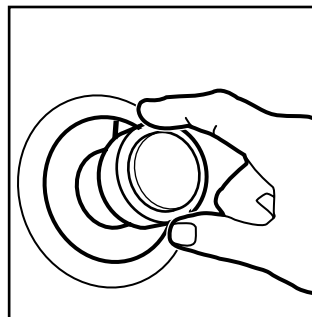
● See chart below for suggested cycles and settings for items that might best be rack dried. Drying time will depend on amount of moisture items hold.

NOTE: Make sure nothing hangs over the edge of the rack.

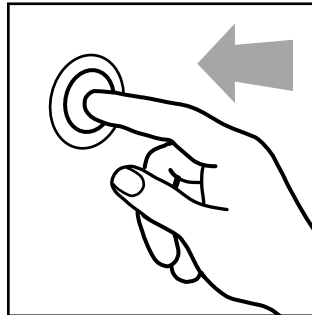
- 3.** Close the door.



- 4.** Select the Timed Drying cycle and temperature, or the Fluff Air cycle.



- 5.** Push the Start button.



NOTE: The rack must be removed for normal tumbling. Automatic cycles do not work with the drying rack.

RACK DRY	CYCLE	TEMPERATURE	TIME [†] (minutes)
Wool sweaters (Block to shape and lay flat on the rack)	Timed drying	Low	60
Stuffed toys or pillows (Cotton or polyester fiber filled)	Timed drying	Low	60
Stuffed toys or pillows (Foam rubber filled)	Fluff Air	None; cycle is unheated.	90
Sneakers or canvas shoes	Fluff Air	None; cycle is unheated.	30-40

[†] Reset cycle as needed to complete drying.

CARING FOR YOUR DRYER

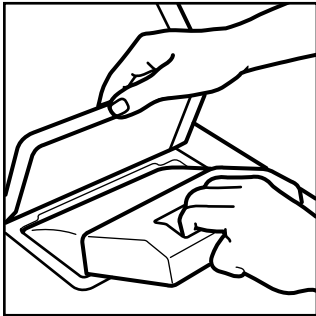
CLEANING THE LINT SCREEN

Every load cleaning

The lint screen is located under a lid on top of the dryer. **Clean it before starting each load.** A screen blocked by lint can increase drying time.

To clean:

1. Open the lid and pull the lint screen towards you.



2. Roll lint off the screen with your fingers. Do not rinse or wash screen to remove lint. Wet lint is hard to remove.



3. Push the lint screen firmly back into place and close the lid.

IMPORTANT:

- Do not run the dryer with the lint screen loose, damaged, blocked, or missing. Doing so can cause overheating and damage to both the dryer and fabrics.
- Some towels made of synthetic fibers and natural fibers (polyester and cotton blends) may shed more lint than other towels, causing your dryer's lint screen to fill up faster. Be sure to remove lint from the lint screen before and after drying new towels.
- If lint falls off the screen during removal and into the dryer, check the exhaust hood and remove the lint (see "Checking Your Vent").

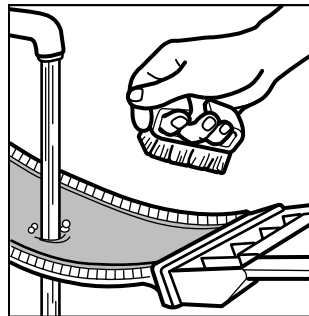
As needed cleaning

Laundry detergents and fabric softeners can cause a residue buildup on the lint screen. This buildup can cause longer drying times for your clothes, or cause the dryer to stop before your load is completely dry. You may be able to see this buildup, or the lint may be falling off the screen because it is clogged.

Clean the lint screen with a nylon brush every six months or more frequently if it becomes clogged due to a residue buildup.

Use the following method:

1. Wet both sides of lint screen with hot water.
2. Wet a nylon brush with hot water and liquid detergent; scrub lint screen with the brush to remove residue buildup.



detergent; scrub lint screen with the brush to remove residue buildup.

3. Rinse screen with hot water.
4. Thoroughly dry lint screen with a clean towel; replace in dryer.

LINT SIGNAL (ON SOME MODELS)

The lint signal (a whistle tone) indicates excessive lint is present on your lint screen. A full lint screen restricts airflow and reduces drying efficiency. When you hear the signal, stop the dryer and clean the lint screen.



NOTE: Clean your lint screen before each load. Do not wait for the lint signal.

CLEANING THE DRYER INTERIOR

Garments which contain unstable dyes, such as denim blue jeans or brightly colored cotton items, may discolor the dryer interior. These stains are not harmful to your dryer and will not stain future loads of clothes. It is helpful to dry unstable dye items inside out to prevent dye transfer.

To clean dryer drum:

1. Make a paste with powdered laundry detergent and very warm water.
2. Apply paste to a soft cloth.

OR

Apply a liquid, non-flammable household cleaner to the stained area and rub with a soft cloth until all excess dye is removed.



3. Wipe drum thoroughly with a damp cloth.
4. Tumble a load of clean cloths or towels to dry drum.

! WARNING



Explosion Hazard

Use nonflammable cleaner.

Failure to do so can result in death, explosion, or fire.

REMOVING ACCUMULATED LINT FROM INSIDE THE DRYER CABINET

Lint can gather inside the dryer and be a fuel for fire. Lint should be removed every 2 years, or more often, depending on dryer usage. Cleaning should be done by a qualified person.

CHANGING THE DRUM LIGHT

The dryer light automatically turns on inside the dryer drum when you open the door. Your dryer's drum light may be one of two types, as shown.

! WARNING



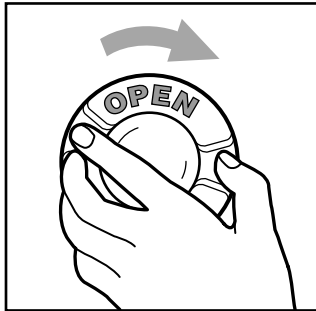
Fire Hazard

Replace light bulb cover before operating dryer.

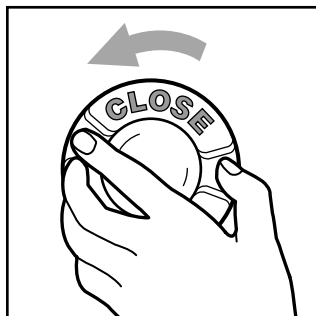
Failure to do so can result in death or fire.

To change drum light type 1:

1. Unplug dryer or disconnect power.
2. Open the dryer door. Remove the light bulb cover from the back wall of the dryer by turning the cover clockwise.



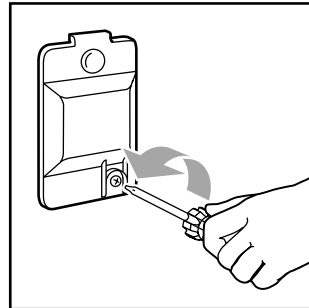
3. Remove the light bulb by turning it counterclockwise.
4. Replace the bulb with a 40-watt appliance bulb only.
5. Replace the light bulb cover and lock in place by turning counterclockwise.



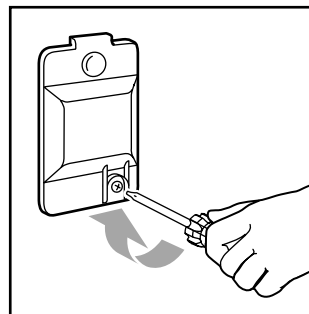
6. Plug in dryer or reconnect power.

To change drum light type 2:

1. Unplug dryer or disconnect power.
2. Open the dryer door. Remove the light bulb cover from the back wall of the dryer by removing the screw located in the lower right corner of the cover.



3. Remove the light bulb by turning it counterclockwise.
4. Replace the bulb with a 10-watt appliance bulb only.
5. Replace the light bulb cover.



6. Plug in dryer or reconnect power.

TROUBLESHOOTING

COMMON DRYING PROBLEMS

PROBLEM	CAUSE	SOLUTION
Not drying satisfactorily	<ul style="list-style-type: none"> • Lint screen is clogged with lint. • Restricted air movement. Exhaust vent or outside exhaust hood is clogged with lint. • Exhaust vent is crushed or kinked. • One fuse is blown or circuit breaker is tripped. The dryer will appear to operate, but you will not get any heat. • Cycle Control knob or temperature selector is set on air dry. • Load not contacting the sensor strips and automatic cycle ending early. • Fabric softener sheets blocking exhaust grill. • Dryer located in room with temperature below 45°F (7°C). • Large amount of moisture in the load. • Cold rinse water used. • Load too large and bulky to dry quickly. 	<ul style="list-style-type: none"> • Clean lint screen. • Run dryer for 5-10 minutes. Hold hand under outside exhaust hood to check air movement. If you do not feel air moving, clean exhaust system of lint or replace exhaust vent with heavy metal or flexible metal vent (see your Installation Instructions). • Replace with heavy metal or flexible metal vent (see your Installation Instructions). • Replace fuse or reset breaker. • Select the right cycle and temperature for the types of garments being dried (see "Using your Dryer"). • Level dryer (see your Installation Instructions). • Use only one softener sheet per load and only use it once. • Move dryer to a location with temperatures above 45°F (7°C). • Expect longer dry times with items that hold more moisture (cottons). • Expect longer dry times. • Separate load to tumble freely.
Dryer will not run	<ul style="list-style-type: none"> • Power cord not firmly plugged into a live circuit with proper voltage. • Fuses blown or circuit breakers tripped. • Using a regular fuse. • Dryer door not firmly closed. • Start button not firmly pressed. • Cycle Control knob set to Off. 	<ul style="list-style-type: none"> • Plug power cord into a live circuit. • Replace fuses or reset breakers. • Replace with a time-delay fuse. • Close dryer door tightly. • Press Start button again. • Set knob to a cycle or time.

COMMON DRYING PROBLEMS (CONT.)

PROBLEM	CAUSE	SOLUTION
Lint in load	<ul style="list-style-type: none"> • Lint screen is clogged. • Improper sorting. • Load is too big or heavy. • Load is overdried. • Paper or tissue in pockets. • Pilling being mistaken for lint. 	<ul style="list-style-type: none"> • Clean lint screen. Check for air movement. • Sort lint givers from lint takers and sort by color. • Dry smaller loads so lint can be carried to the lint screen. • Use correct dryer settings for fabric. Overdrying can cause lint-attracting static (see “Using Your Dryer”). • Clean out pockets before drying. • Pilling (surface fuzz) is caused by normal wear and laundering.
Stains on load	<ul style="list-style-type: none"> • Improper use of fabric softener in washer. • Drying soiled items. • Overdrying • Poor garment quality. • Manufacturer’s care label instructions not followed. 	<ul style="list-style-type: none"> • Use fabric softener sheets in dryer. Add at beginning of cycle when load is cold. • Items need to be clean before being dried. • Match dryer settings to fabric type (see “Using Your Dryer”). • Check quality of garment before purchasing. • Follow fabric care label instructions carefully.
Items shrinking	<ul style="list-style-type: none"> • Overloading. • Overdrying. 	<ul style="list-style-type: none"> • Dry smaller loads that can tumble freely. • Match dryer settings to fabric type (see “Using Your Dryer”).
Loads are wrinkled	<ul style="list-style-type: none"> • Load left in dryer at the end of cycle. 	<ul style="list-style-type: none"> • Remove load as soon as tumbling stops.
Odors	<ul style="list-style-type: none"> • Household chemicals, paint, or varnish being drawn into dryer. • First use of dryer element. 	<ul style="list-style-type: none"> • Do not use dryer while these chemical fumes are in the air. • Odor will be gone after the first cycle.
Unusual sounds	<ul style="list-style-type: none"> • Thumping of rollers when dryer has not been used for a while. 	<ul style="list-style-type: none"> • Thump will go away after 5 minutes of drying.

ASSISTANCE OR SERVICE

IF YOU NEED ASSISTANCE OR SERVICE

1. If the problem is not due to one of the items listed in "Troubleshooting"†...

Contact the dealer from whom you purchased your appliance, or call the Inglis Limited Consumer Relations Center toll free 8:30 a.m.-6 p.m. (EST), at **1-800-461-5681**.



2. If you need service†...

Contact Inglis Limited from anywhere in Canada **1-800-807-6777**.

† When asking for assistance or service please provide detail description of the problem, your appliance's complete model and serial numbers, and the purchase date. (See "A Note To You"). This information will help us report properly your request.

IF YOU NEED REPLACEMENT PARTS

If you need to order replacement parts, we recommend that you only use FSP* factory specified parts. These parts will fit right and work right because they are made to the same exacting specifications used to build every new WHIRLPOOL* appliance.

To locate FSP replacement parts in your area, call your nearest designated service center.

FOR FURTHER ASSISTANCE

If you need further assistance, you can write to Inglis Limited with any questions or concerns at:

Consumer Relations Center
Inglis Limited
1901 Minnesota Court
Mississauga, Ontario L5N 3A7

Please include a daytime phone number in your correspondence.

WHIRLPOOL* DRYER WARRANTY

LENGTH OF WARRANTY	WE WILL PAY FOR
FULL ONE-YEAR WARRANTY FROM DATE OF PURCHASE	FSP* replacement parts and repair labor to correct defects in materials or workmanship. Service must be provided by an Inglis designated service company.
SECOND-FIFTEENTH YEAR LIMITED WARRANTY FROM DATE OF PURCHASE	FSP replacement parts for dryer drum should it be perforated by rust.
WE WILL NOT PAY FOR	
<p>A. Service calls to:</p> <ol style="list-style-type: none"> 1. Correct the installation of your dryer, including venting. Heavy 4 in (10.16 cm) metal exhaust vent must be used. Refer to the venting section of this manual and your Installation Instructions. 2. Instruct you how to use your dryer, to replace house fuses or reset circuit breakers, or to replace owner accessible light bulbs. <p>B. Repairs when your dryer is used in other than single-family household use.</p> <p>C. Damage to your dryer caused by accident, alteration, misuse, abuse, fire, flood, acts of God, improper installation (including, but not limited to, venting with plastic or flexible foil), or installation not in accordance with local electrical and plumbing codes.</p> <p>D. Replacement parts or repair labor costs for units operated outside Canada.</p> <p>E. Pick-up and delivery. This product is designed to be repaired in the home.</p> <p>F. Repairs to parts or systems resulting from unauthorized modifications made to the appliance.</p> <p>G. Travel or transportation expenses for customers who reside in remote areas.</p>	

2/99

WHIRLPOOL CORPORATION AND INGLIS LIMITED SHALL NOT BE LIABLE FOR INCIDENTAL OR CONSEQUENTIAL DAMAGES. Some provinces do not allow the exclusion or limitation of incidental or consequential damages, so this exclusion or limitation may not apply to you. This warranty gives you specific legal rights, and you may also have other rights which vary from province to province.

If you need service, first see "Troubleshooting". Additional help can be found by checking "Assistance or Service", or you may call Inglis Limited at **1-800-807-6777**.

d'utilisation et d'entretien

Sécheuses électriques et à gaz



Note à l'utilisateur	2
Sécurité de la sécheuse	3
Pièces et caractéristiques.....	5
Vérification du conduit d'évacuation	6
Utilisation de la sécheuse	8
Mise en marche de la sécheuse	8
Chargement	10
Sélection d'un réglage de programme et de température.....	10
Descriptions des programmes.....	11
Programme Fluff Air	14
Utilisation de la grille de séchage.....	15
Entretien de la sécheuse	17
Dépannage	20
Assistance ou service	22
Garantie.....	24

1-800-461-5681

Téléphoner si vous avez des questions
ou commentaires.



www.whirlpool.com/canada



NOTE À L'UTILISATEUR

Merci pour votre achat d'un appareil électroménager WHIRLPOOL*.

La marque Whirlpool fait partie d'un engagement à fournir des produits de qualité de rendement constant pour vous rendre la vie plus facile. Pour vous assurer des années de fonctionnement sans ennui, nous avons mis au point ce Guide d'utilisation et d'entretien. Il contient une foule de renseignements qui vous aident à utiliser et à faire l'entretien de votre appareil convenablement et en sécurité. Veuillez lire ces renseignements attentivement.

Veuillez aussi remplir et retourner la carte **d'inscription du produit**, fournie avec votre appareil. Cette carte nous aidera à vous tenir au courant de tout nouveau renseignement au sujet de votre appareil électroménager.

Veuillez inscrire les renseignements concernant votre modèle.

Si jamais vous avez besoin de service pour votre appareil ménager, vous devez connaître le numéro de modèle et le numéro de série. Ces renseignements sont indiqués sur la plaque signalétique indiquant le numéro de modèle et le numéro de série (voir schéma à la section "Pièces et caractéristiques" pour l'emplacement).

Veuillez également inscrire la date d'achat de votre appareil ménager ainsi que les nom, adresse et numéro de téléphone de votre marchand.

Numéro de modèle _____

Numéro de série _____

Date d'achat _____

Nom du marchand _____

Adresse du marchand _____

Téléphone du marchand _____

Conservez cette brochure et la facture de vente en lieu sûr pour référence ultérieure.

**Le numéro du Centre d'assistance aux
consommateurs est sans frais.**

1-800-461-5681

Pour trouver des renseignements détaillés au sujet du produit, l'emplacement le marchand ou le centre de service autorisé Whirlpool le plus proche, pour acheter un accessoire ou inscrire votre appareil en ligne, veuillez rendre visite à notre site web www.whirlpool.com/canada

SÉCURITÉ DE LA SÈCHEUSE

Votre sécurité et celle des autres est très importante.

Nous donnons de nombreux messages de sécurité importants dans ce manuel et sur votre appareil ménager. Assurez-vous de toujours lire tous les messages de sécurité et de vous y conformer.



Voici le symbole d'alerte de sécurité.

Ce symbole d'alerte de sécurité vous signale les dangers susceptibles de causer le décès et des blessures graves à vous et à d'autres.

Tous les messages de sécurité seront précédés du symbole d'alerte de sécurité et du mot "DANGER" ou "AVERTISSEMENT". Ces mots signifient :

⚠ DANGER

Risque certain de décès ou de blessure grave si vous ne suivez pas les instructions.

⚠ AVERTISSEMENT

Risque possible de décès ou de blessure grave si vous ne suivez pas les instructions.

Tous les messages de sécurité identifient le danger et vous disent comment réduire le risque de blessure et ce qui peut se produire en cas de non-respect des instructions.

AVERTISSEMENT : Pour votre sécurité, les renseignements dans ce manuel doivent être observés pour réduire au minimum les risques d'incendie ou d'explosion ou pour éviter des dommages au produit, des blessures ou un décès.

- Ne pas entreposer ou utiliser de l'essence ou d'autres vapeurs ou liquides inflammables à proximité de cet appareil ou de tout autre appareil électroménager.
- QUE FAIRE DANS LE CAS D'UNE ODEUR DE GAZ :
 - Ne pas tenter d'allumer un appareil.
 - Ne pas toucher à un commutateur électrique; ne pas utiliser le téléphone se trouvant sur les lieux.
 - Évacuer tous les gens de la pièce, de l'édifice ou du quartier.
 - Appeler immédiatement le fournisseur de gaz d'un téléphone voisin. Suivre ses instructions.
 - À défaut de joindre votre fournisseur de gaz, appeler les pompiers.
- L'installation et l'entretien doivent être effectués par un installateur qualifié, une agence de service ou le fournisseur de gaz.

suite à la page suivante

IMPORTANTES INSTRUCTIONS DE SÉCURITÉ

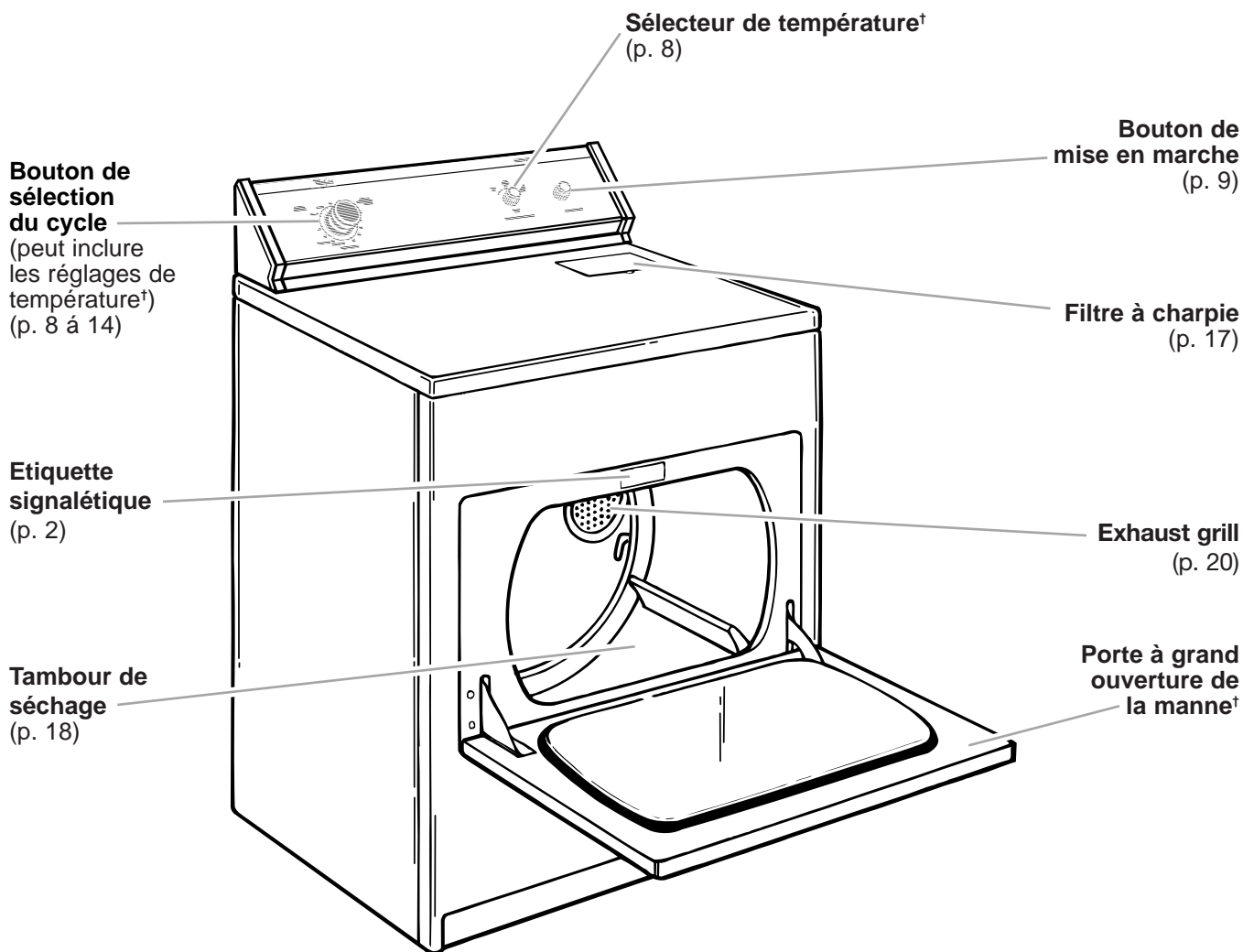
AVERTISSEMENT : Pour réduire le risque d'incendie, de choc électrique ou de blessure lors de l'utilisation de la sécheuse, il convient d'observer certaines précautions élémentaires dont les suivantes :

- Lire toutes les instructions avant d'utiliser la sécheuse.
- Ne pas placer des articles exposés aux huiles de cuisson dans votre sécheuse. Les articles contaminés par des huiles de cuisson peuvent contribuer à une réaction chimique qui pourrait causer à la charge de s'enflammer.
- Ne pas faire sécher des articles dans la machine qui ont déjà été nettoyés, lavés, imbibés, ou tachés d'essence, de solvants pour nettoyage à sec, d'autres substances inflammables, ou de substances explosives puisqu'elles dégagent des vapeurs qui peuvent provoquer un incendie ou une explosion.
- Ne pas permettre à des enfants de jouer avec ou de monter sur ou à l'intérieur de la sécheuse. Une surveillance étroite est nécessaire lorsque la sécheuse est utilisée près d'eux.
- Avant d'enlever la sécheuse du service ou la jeter, enlever la porte du compartiment de séchage.
- Ne pas mettre la main dans la sécheuse si le tambour est en mouvement.
- Ne pas installer ou entreposer la sécheuse où elle sera exposée aux intempéries.
- Ne pas jouer avec les commandes.
- Ne pas réparer ni remplacer une pièce de la sécheuse ou essayer d'en faire l'entretien à moins d'une recommandation spécifique dans le guide d'utilisation et d'entretien, ou publiée dans les instructions de réparation par l'utilisateur que vous comprenez et pouvez exécuter avec compétence.
- Ne pas utiliser un produit assouplissant de tissu ou des produits pour éliminer la statique à moins qu'ils soient recommandés par le fabricant du produit assouplissant de tissu ou du produit.
- Ne pas utiliser la chaleur pour faire sécher des articles fabriqués avec du caoutchouc-mousse ou des matériaux semblables.
- Nettoyer le filtre à charpie avant et après chaque charge.
- Ne pas laisser la charpie, la poussière, ou la saleté s'accumuler autour du système d'évacuation ou autour de l'appareil.
- Un nettoyage périodique de l'intérieur de la sécheuse et du conduit d'évacuation doit être effectué par une personne qualifiée.
- Voir les instructions d'installation pour les exigences de liaison de l'appareil à la terre.

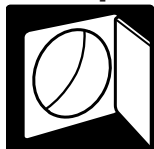
CONSERVEZ CES INSTRUCTIONS

PIÈCES ET CARACTÉRISTIQUES

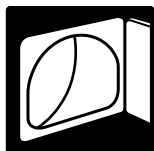
Les illustrations de ce guide peuvent ne pas correspondre exactement à la sècheuse achetée. La fonction de ces illustrations est de montrer les diverses caractéristiques de tous les modèles couverts par ce guide. Le modèle acheté peut ne pas comporter toutes les caractéristiques.



Autres portes :



Petite porte qui ouvre de côté†
Grande porte qui ouvre de côté†
 (Porte réversible – voir les Instructions d'installation)



Porte qui ouvre en supergrande†
 (Porte réversible – voir les Instructions d'installation)

Additional features your dryer may have:

Sélecteur de signal de fin de programme (p. 9)
Sélecteur de FINISH GUARD* (p. 8)
Sélecteur de FINISH GUARD* Plus (p. 8)
Détecteur électronique ACCUDRY* (p. 11)
Détecteur automatique DRY MISER* (p. 11)
Grille de séchage (p. 15)
Signal sonore de charpie (p. 18)
Ampoule du tambour (p. 19)

†Sur certains modèles

VÉRIFICATION DU CONDUIT D'ÉVACUATION

La sècheuse doit être bien installée et munie d'un système adéquat d'évacuation de l'air pour donner une efficacité maximale de séchage et un temps de séchage plus court. Utiliser les dégagements minimums recommandés pour l'installation (voir Instructions d'installation) pour éviter le blocage du débit de combustion et d'air de ventilation. Installer la sècheuse dans un endroit bien aéré où la température est toujours au-dessus de 7°C (45°F). S'assurer également que la sècheuse est d'aplomb. Voir les instructions d'installation pour plus de renseignements.

ÉVACUATION

⚠ AVERTISSEMENT



Risque d'incendie

Utiliser un conduit d'évacuation en métal lourd.

Ne pas utiliser un conduit d'évacuation en plastique.

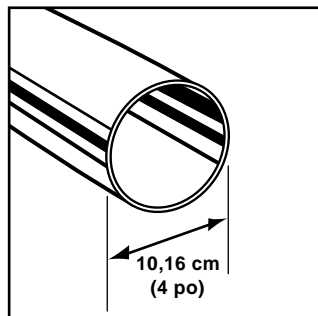
Ne pas utiliser un conduit d'évacuation en feuille de métal.

Le non-respect de ces instructions peut causer un décès ou un incendie.

Si la sècheuse n'est pas bien installée et munie d'un système adéquat d'évacuation de l'air, elle n'est pas couverte en vertu de la garantie.

REMARQUE : Les visites de service nécessitées par une évacuation inadéquate seront aux frais du client peu importe s'il a fait faire l'installation ou s'il l'a faite lui-même. Dans le cas d'une installation payée, communiquer avec la compagnie qui a fait l'installation, pour tout ajustage requis.

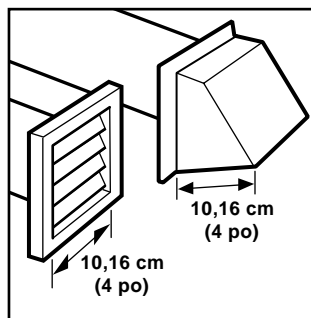
1. **Ne pas** utiliser un conduit flexible en plastique ou en papier métallisé.



Utiliser un conduit de 10,16 cm (4 po) en métal lourd ou en métal flexible. Ne pas déformer ni écraser le conduit d'évacuation en métal flexible. Il doit être complètement déployé pour permettre l'évacuation adéquate

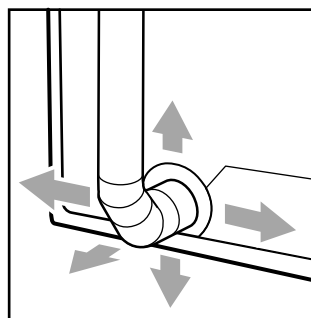
de l'air. Vérifier le système d'évacuation après l'installation. Se référer aux instructions d'installation pour la bonne longueur du conduit d'évacuation.

2. Utiliser un clapet d'évacuation de 10,16 cm (4 po).



Les clapets plus petits augmentent la durée requise de séchage.

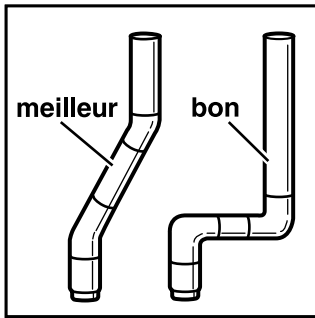
3. On peut acheminer le conduit d'évacuation vers le haut, vers le bas, vers la gauche, vers la droite, ou en ligne droite depuis l'arrière de la sècheuse.



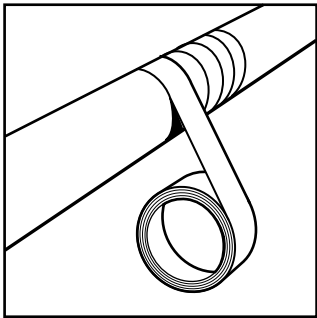
L'espace de dégagement minimal est indiqué dans les instructions d'installation.

ÉVACUATION (SUITE)

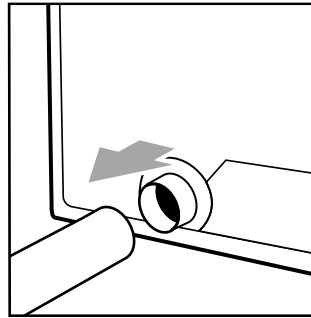
4. Utiliser l'acheminement le plus rectiligne possible lors de l'installation du conduit d'évacuation. Utiliser le moins possible de coudes et de virages. Accorder de l'espace lors de l'utilisation de coudes ou de virages. Plier le conduit graduellement pour éviter de le déformer.



5. Sceller chaque joint avec du ruban adhésif pour conduits. **Ne pas** utiliser de vis pour fixer le conduit d'évacuation. La charpie risque de s'accrocher aux vis.



6. Nettoyer périodiquement le conduit d'évacuation, selon l'utilisation, mais au moins à tous les 2 ans ou lors de l'installation de la sècheuse à un nouvel endroit.



- Déconnecter le conduit d'évacuation de la sècheuse et nettoyer une section à la fois jusqu'au clapet d'évacuation.
- Utiliser le tuyau d'un aspirateur, ou un manche (ou une broche) auquel vous aurez fixé un chiffon ou une brosse d'époussetage, pour enlever la charpie.
- S'assurer que le clapet à l'extrémité extérieure du conduit d'évacuation fonctionne librement.
- Après le nettoyage, veuillez suivre les instructions d'installation fournies avec la sècheuse pour une vérification finale de l'appareil.

UTILISATION DE LA SÈCHEUSE

MISE EN MARCHÉ DE LA SÈCHEUSE

⚠ AVERTISSEMENT



Risque d'explosion

Garder les matières et les vapeurs inflammables, telle que l'essence, loin de la sècheuse.

Ne pas faire sécher un article qui a déjà été touché par un produit inflammable (même après un lavage).

Le non-respect de ces instructions peut causer un décès, une explosion ou un incendie.

⚠ AVERTISSEMENT



Risque d'incendie

Aucune laveuse ne peut complètement enlever l'huile.

Ne pas faire sécher des articles qui ont été salis par tout genre d'huile (y compris les huiles de cuisson).

Les articles contenant mousse, caoutchouc ou plastique doivent être séchés sur une corde à linge ou par le programme de séchage à l'air.

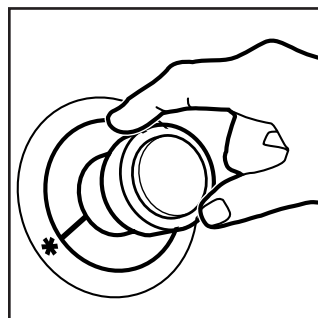
Le non-respect de ces instructions peut causer un décès ou un incendie.

Avant d'utiliser la sècheuse, essuyer le tambour de la sècheuse avec un linge humide pour enlever la poussière accumulée durant l'entreposage et l'expédition.

1. Charger les vêtements dans la sècheuse sans les tasser, et fermer la porte. Ne pas surcharger la sècheuse; prévoir suffisamment d'espace pour un culbutage libre des vêtements.



2. Tourner le bouton de commande de programme au programme recommandé pour le type de la charge à faire sécher.



● Utiliser le réglage automatique préféré de l'énergie (*) pour faire sécher la plupart des charges.

REMARQUE : Sur certains modèles, le sélecteur de température fait partie du bouton de commande de programme.

3. Si votre sècheuse est munie du sélecteur de température, faire le réglage recommandé pour le type de tissu à faire sécher. Les descriptions des programmes aux pages suivantes comprennent des suggestions de réglage de température.

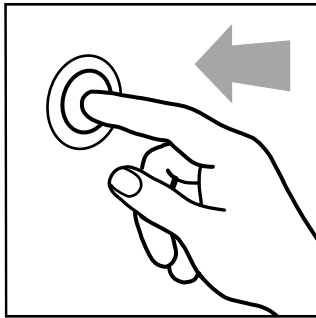
4. (ÉTAPE FACULTATIVE) Certaines sècheuses peuvent comporter un sélecteur FINISH GUARD* On/Off (mise en marche/arrêt) ou le sélecteur FINISH GUARD* Plus de 30 à 90 minutes. Ces caractéristiques protègent votre linge contre le froissement lorsque vous n'enlevez pas le linge de la sècheuse aussitôt qu'elle s'arrête.

- Régler le sélecteur FINISH GUARD à On pour faire culbuter la charge sans chaleur à intervalles de quelques minutes jusqu'à 45 minutes après la fin du programme de séchage.
- Le sélecteur FINISH GUARD Plus vous permet de choisir de 30 à 90 minutes de culbutage périodique sans chaleur après la fin du programme de séchage.
- Un signal sonore se fera entendre à intervalles de quelques minutes pendant le fonctionnement du programme (FINISH GUARD Plus) si le signal de fin de programme est réglé à On. Le signal et le programme prennent fin lorsque vous ouvrez la porte de la sècheuse .
- Régler le sélecteur FINISH GUARD (FINISH GUARD Plus) à Off si vous ne souhaitez pas utiliser cette caractéristique.

REMARQUE : Certaines sècheuses comportent une caractéristique FINISH GUARD qui ne peut pas être mise en marche ou éteinte. Voir la page 13.

MISE EN MARCHÉ DE LA SÉCHEUSE (SUITE)

5. (ÉTAPE FACULTATIVE) Si votre sècheuse possède un sélecteur du signal de fin du programme, régler le sélecteur à On (mise en marche) si vous désirez que la sècheuse laisse entendre un signal sonore lorsqu'un programme est terminé.
- Le signal sonore est utile lorsqu'on fait sécher des tissus de pressage permanent, synthétiques et autres articles qui devraient être enlevés de la sècheuse aussitôt qu'elle s'arrête.
 - Sur certains modèles, le signal de fin de programme fait partie du bouton de mise en marche.
 - Sur certains modèles, le volume du signal peut être réglé de moins fort à plus fort.
6. Appuyer sur le bouton Start (mise en marche).



REMARQUE : Votre sècheuse s'arrête automatiquement lorsqu'un programme est terminé.

Arrêt et remise en marche de la sècheuse

On peut arrêter la sècheuse à tout moment au cours d'un programme.

Pour arrêter la sècheuse :

Ouvrir la porte de la sècheuse ou tourner le bouton de commande de programme à Off (arrêt).

REMARQUE : Le bouton de commande de programme doit être dirigé vers une zone Off (arrêt) lorsque la sècheuse n'est pas utilisée.

Pour la remise en marche de la sècheuse :

Fermer la porte, choisir un nouveau programme et une nouvelle température (si désiré), et appuyer sur le bouton Start (mise en marche).

CHARGEMENT

Suggestions de chargement

Le tableau ci-dessous fournit certaines directives en relation à divers types de charges à sécher. Charger le linge sans le tasser dans la sècheuse. Ne pas surcharger la sècheuse; accorder de l'espace pour que le linge culbute librement.

Vêtements de travail	Tissus délicats	Serviettes	Charge mixte
3 pantalons	3 camisoles	10 serviettes de bain	3 draps doubles
3 chemises	1 robe de chambre	10 serviettes pour les mains	4 taies d'oreillers
4 jeans	4 jupons	14 débarbouillettes	8 T-shirts
1 salopette	4 culottes	1 tapis de bain	6 pantalons courts
1 couvre-tout	2 soutiens-gorge		2 chemises
	2 chemises de nuit		2 chemisiers
	1 robe de bébé		8 mouchoirs

SÉLECTION D'UN RÉGLAGE DE PROGRAMME ET DE TEMPÉRATURE

Les pages suivantes décrivent les programmes de séchage de la sècheuse. Les descriptions comprennent des suggestions de réglage de la température et de la durée de séchage pour diverses charges.

Conseils sur les programmes et la température

- S'assurer que vous avez choisi le programme et la température corrects pour votre charge.
- Faire sécher la plupart des charges en utilisant le réglage automatique préféré d'énergie (*).
- Utiliser un programme de séchage à l'air (ou réglage de la température), ou faire sécher sur une corde des tissus de caoutchouc, en plastique, délicats et sensibles à la chaleur.
- Si certains types de charges dans les descriptions de programme aux pages suivantes ont plus d'un réglage de température suggéré, choisir le réglage le plus bas disponible sur votre sècheuse.
- Les dernières minutes de tous les programmes sont sans chaleur afin que la charge soit moins chaude à manipuler.

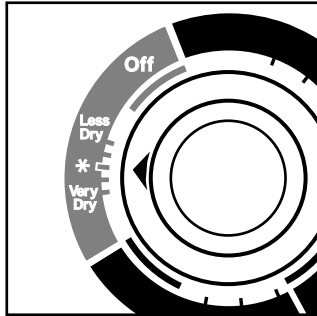
Conseils de séchage

- Suivre les instructions sur les étiquettes d'entretien des articles à faire sécher, si elles sont disponibles.
- Si vous utilisez des feuilles d'assouplissant de tissus, toujours utiliser des feuilles d'assouplissant de tissus qui sont étiquetées pour sècheuse, et suivre attentivement les instructions sur l'emballage.
- Retirer la charge de la sècheuse dès l'arrêt du culbutage pour réduire le froissement. Cette directive est particulièrement importante pour les articles de pressage permanent, les tricotés et les tissus synthétiques.

DESCRIPTIONS DES PROGRAMMES

Programmes(s) automatique(s)

Utiliser un programme automatique pour faire sécher la plupart des charges. Selon votre modèle, le programme automatique utilise soit le système électronique ACCUDRY* soit la commande automatique DRY MISER* qui détecte l'humidité de la charge et arrête la sècheuse lorsque le



degré de séchage est atteint. Le bouton de commande de programme ne se déplace pas tant que la charge n'est pas presque sèche. Après le refroidissement, le bouton tourne automatiquement à une zone Off (arrêt) et le culbutage cesse.

- Si les articles de la charge sont plus secs que désiré, choisir un réglage plus proche de **Less Dry (Moins sec)** au prochain séchage d'une charge semblable.
- Si les articles de la charge ne sont pas aussi secs que désiré, compléter le séchage en utilisant un programme minuté. Choisir un réglage plus proche de **Very Dry (Très sec)** au prochain séchage d'une charge semblable.

Le temps de séchage avec un programme automatique varie d'après le genre de tissus, la quantité de la charge, et le réglage de séchage. Votre modèle peut ne pas avoir tous les réglages de chaleur indiqués. Certaines directives générales comprennent ce qui suit :

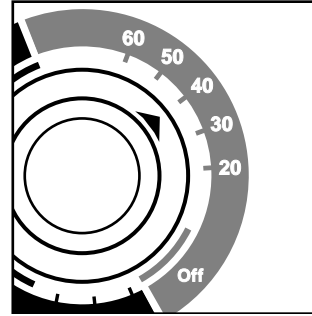
- Utiliser un réglage de chaleur élevée pour le séchage d'articles lourds tels que les serviettes et les vêtements de travail.
- Utiliser un réglage de chaleur moyen pour le séchage d'articles de poids moyen, tels que draps, sous-vêtements, tissus de pressage permanent et certains tricotés.
- Utiliser un réglage de chaleur basse pour le séchage d'articles légers, tels que lingerie, chemisiers, robes et certains tricotés.

REMARQUE : Si vous avez des questions au sujet des températures de séchage pour diverses charges, se référer aux directives d'entretien sur l'étiquette.

Programme Timed (minuté)

Utiliser un programme de séchage minuté pour compléter le séchage de certains articles s'ils sont humides après le programme Auto. Un programme Timed Dry est aussi utile pour :

- Les articles épais et lourds tels que les descentes de lit et les vêtements de travail, et les grosses charges qui



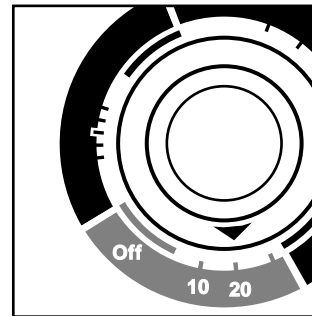
exigent un temps de séchage prolongé. Faire le réglage de votre sècheuse à un réglage de chaleur qui correspond aux directives d'entretien sur l'étiquette.

- Les articles légers, tels que lingerie, chemisiers et tricotés qui exigent un temps de séchage court. Voir votre sècheuse pour régler la chaleur à l'intensité faible.

REMARQUE : Le temps et la température de séchage dépendront du modèle de votre sècheuse.

Programme Fluff Air (séchage à l'air) (sur certains modèles)

Utiliser le programme de séchage à l'air sans chaleur pour les articles qui nécessitent un séchage sans chaleur. Le tableau à la page 14 comporte des exemples d'articles qui nécessitent un séchage à l'air.



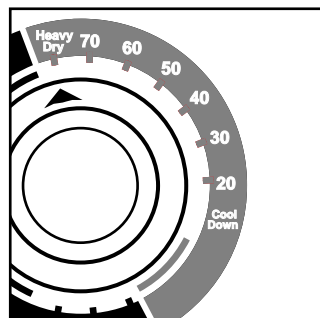
REMARQUE : Si votre modèle ne possède pas le programme "Fluff Air", utiliser le programme de séchage minuté et le réglage de température "Air seulement", ou faire sécher sur une corde les articles sensibles à la chaleur.

suite à la page suivante

DESCRIPTIONS DES PROGRAMMES (SUITE)

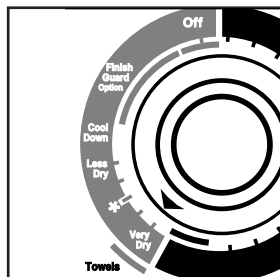
Caractéristique Heavy Dry (séchage intense) (sur certains modèles)

Utiliser la caractéristique Heavy Dry dans le programme Timed Dry (séchage minuté) pour faire sécher de gros articles ou des articles qui sont plus épais ou plus lourds qu'une charge régulière (tels que les serviettes de bain épaisses en coton ou les robes de chambre). Régler le bouton de commande de programme à Heavy Dry et votre sélecteur de température à High Heat (chaleur élevée).



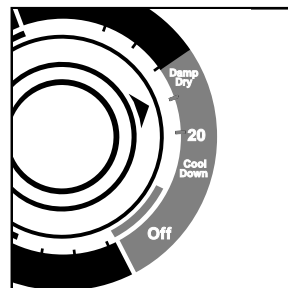
Caractéristique Towels (serviettes) (sur certains modèles)

Lorsque vous avez des charges considérables de serviettes à faire sécher, vous voudrez sans doute utiliser la caractéristique Towels (serviettes) dans le programme automatique. Le réglage Towels permet un temps de séchage prolongé et arrête automatiquement la sècheuse lorsque le degré de séchage choisi est atteint. La caractéristique Towels peut aussi être utilisée pour les articles très lourds tels que les couvre-matelas et les tissus piqués. Faire le réglage de votre sècheuse à un réglage de chaleur qui correspond aux directives d'entretien sur l'étiquette.



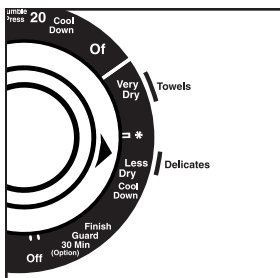
Caractéristique Damp Dry (séchage humide) (sur certains modèles)

Utiliser la caractéristique Damp Dry (séchage humide) dans le programme Timed (minuté) pour faire sécher des articles jusqu'au niveau humide ou pour faire sécher des articles qui n'exigent pas un programme entier de séchage. Deux exemples sont les cotons épais tels que les jeans, que vous ne désirez pas raides, ou des vêtements de coton qui sont plus faciles à repasser lorsqu'ils sont humides. Régler le sélecteur de température à High Heat (chaleur élevée).



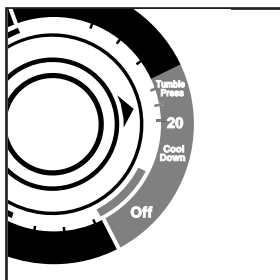
Caractéristique Delicates (Déliçats) (sur certains modèles)

Lorsque vous avez de petites charges ou des charges d'articles légers à faire sécher, vous voudrez sans doute utiliser la caractéristique Delicates dans le programme automatique. Le réglage Delicates permet un temps de séchage plus court et arrête automatiquement la sècheuse lorsque le degré de séchage choisi est atteint. Régler le sélecteur de température à chaleur extra faible.



Caractéristique Tumble Press* (pressage par culbutage) (sur certains modèles)

La caractéristique Tumble Press dans le programme Timed Dry enlève les faux plis de vêtements qui ont été empilés dans une valise ou une armoire, ou pour des articles qui n'ont pas été enlevés de la sècheuse à la fin d'un programme. Dès que la sècheuse s'arrête, plier ou placer les articles sur des cintres. Régler le sélecteur de température à une chaleur Medium (moyenne) ou Low (faible).

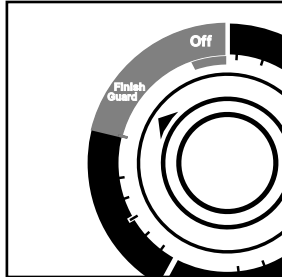


DESCRIPTIONS DES PROGRAMMES (SUITE)

Caractéristique FINISH GUARD* (FINISH GUARD* Plus)

(sur certains modèles)

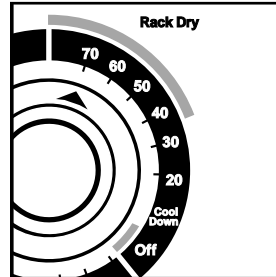
Lorsque vous ne pouvez pas enlever le linge de la sècheuse dès qu'elle s'arrête, des plis peuvent se former. La caractéristique FINISH GUARD fait culbuter la charge sans chaleur à intervalles de quelques minutes pour réarranger et aérer la charge de façon à éviter les plis.



- Sur certains modèles, cette caractéristique est intégrée au bouton de commande des programmes. Si vous n'ouvrez pas la porte de la sècheuse en deçà de quelques minutes après l'arrêt du programme, la caractéristique FINISH GUARD prend automatiquement la relève pour protéger la charge.
- Sur certains modèles, vous pouvez allumer ou éteindre la caractéristique FINISH GUARD avec un sélecteur. (Voir étape 4 dans "Mise en marche de la sècheuse".)
- Sur les modèles munis de la caractéristique FINISH GUARD Plus, vous pouvez sélectionner de 30 à 90 minutes de culbutage périodique sans chaleur après la fin du programme de séchage.
- Un signal sonore se fera entendre à intervalles de quelques minutes pendant que la caractéristique FINISH GUARD (FINISH GUARD Plus) fonctionne si la caractéristique de signal de fin de programme a été activée. Sur certains modèles, ce signal est fixe et ne peut être éteint. Le signal et le programme prennent fin lorsque la porte de la sècheuse est ouverte.

Grille de séchage (Rack Dry) (sur certains modèles)

Utiliser la grille de séchage pour faire sécher des articles sans culbutage. Voir "Utilisation de la grille de séchage" à la page 15.



PROGRAMME FLUFF AIR (SÉCHAGE À L'AIR)

Le tableau ci-dessous comprend des exemples d'articles qui exigent un séchage sans chaleur. Utiliser le programme de séchage à l'air (ou le programme de séchage minuté et le réglage des températures "Air seulement"), ou placer des articles sur une corde ou un support pour le séchage à l'air.

- Faire sécher sur une corde les tissus doublés ou combinés.
- Toujours suivre les directives d'entretien sur l'étiquette lorsqu'elles sont disponibles.

TYPE DE CHARGE	PROGRAMME FLUFF AIR [†] (minutes)
<p>Caoutchouc, plastique, tissus sensibles à la chaleur</p> <p>Caoutchouc-mousse – oreillers, soutiens-gorge et jouets rembourrés</p> <ul style="list-style-type: none"> ● S'assurer que les recouvrements sont bien cousus. ● Secouer les oreillers à la main plusieurs fois durant le programme Séchage à l'air. ● S'assurer que les oreillers sont complètement secs. Les oreillers en caoutchouc-mousse prennent longtemps pour sécher. <p>Plastique – Rideaux de douche, nappes de table</p> <p>Caoutchouc – endos de tapis</p> <p>Oléfine, polypropylène, nylon clair</p>	<p>20 à 30</p> <p>20 à 30</p> <p>40 à 50</p> <p>10 à 20</p>

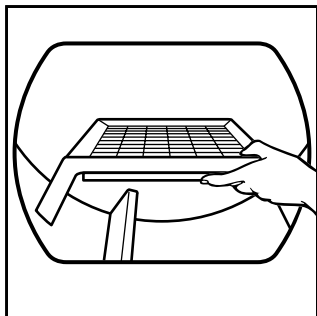
[†] Le tableau ci-dessous comprend des exemples d'articles qui exigent un séchage sans chaleur. Utiliser le programme de séchage à l'air (ou le programme de séchage minuté et le réglage des températures "Air seulement"), ou placer des articles sur une corde ou un support pour le séchage à l'air.

UTILISATION DE LA GRILLE DE SÉCHAGE (SUR CERTAINS MODÈLES)

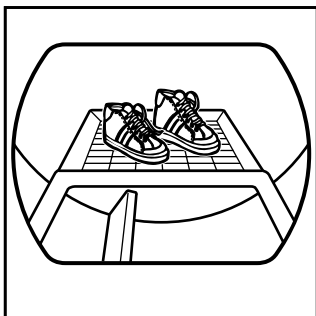
Votre sècheuse peut comporter une grille de séchage. Si votre modèle ne comporte pas une grille de séchage, vous pouvez en commander une en composant le **1-800-461-5681**, ou en contactant le marchand chez qui vous avez acheté votre appareil ménager.

La grille de séchage permet de faire sécher des articles sans culbutage. La grille ne se déplace pas, mais le tambour tourne.

- 1.** Engager les deux supports à l'arrière dans les encoches de la paroi arrière de la sècheuse. Abaisser l'avant, de sorte que les pieds reposent sur l'ouverture de la sècheuse.



- 2.** Placer les articles mouillés sur la grille. Laisser de l'espace entre les articles pour que l'air puisse atteindre toutes les surfaces.

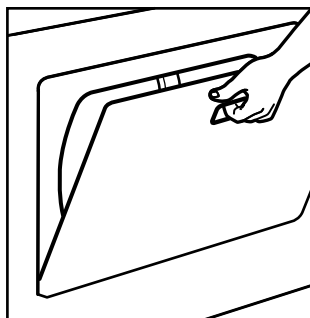


- Voir le tableau à la page suivante au sujet des programmes et réglages suggérés pour les articles qui peuvent être le mieux séchés sur une grille. La durée

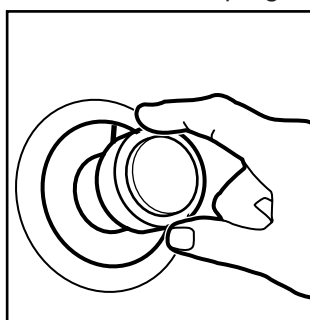
de séchage dépend de la quantité d'eau présente dans les articles à faire sécher.

REMARQUE : S'assurer que rien ne pend par-dessus le bord de la grille.

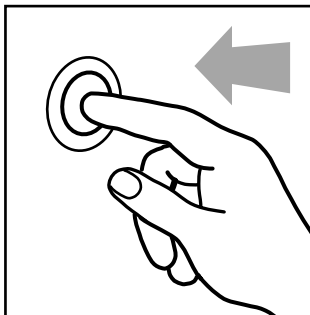
- 3.** Fermer la porte.



- 4.** Sélectionner le programme Timed Dry (séchage minuté) et la température, ou le programme Fluff Air (séchage à l'air).



- 5.** Appuyer sur le bouton de mise en marche.



REMARQUE : On doit retirer la grille pour le culbutage normal. Le programme automatique ne fonctionne pas lorsque la grille de séchage est présente.

suite à la page suivante

UTILISATION DE LA GRILLE DE SÈCHAGE (SUR CERTAINS MODÈLES) (SUITE)

SÈCHAGE SUR GRILLE	PROGRAMME	TEMPÉRATURE	TEMPS [†] (minutes)
Chandails en laine (Étaler à plat sur la grille selon la forme normale)	Séchage minuté	Basse/tricots	60
Jouets rembourrés ou oreillers (garnissage de coton ou de polyester)	Séchage minuté	Basse/tricots	60
Jouets en peluche ou oreillers (Rembourrage en caoutchouc-mousse)	séchage à l'air	Aucune; programme sans chaleur.	30
Espadrilles ou chaussures en toile	séchage à l'air	Aucune; programme sans chaleur.	30

[†] Régler de nouveau le programme au besoin pour terminer le séchage.

ENTRETIEN DE LA SÈCHEUSE

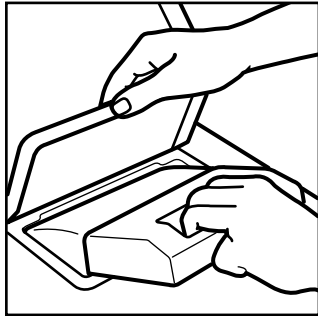
NETTOYAGE DU FILTRE À CHARPIE

Nettoyage à chaque utilisation

Le filtre à charpie se trouve sous un couvercle sur le dessus de la sècheuse. **Le nettoyer avant chaque séchage.** Un filtre obstrué de charpie peut augmenter le temps requis de séchage.

Nettoyage :

1. Ouvrir le couvercle et retirer le filtre à charpie vers soi.



2. Enlever la charpie du filtre en la roulant avec les doigts. Ne pas rincer ni laver le filtre pour enlever la charpie. La charpie mouillée s'enlève difficilement.



3. Remettre le filtre à charpie fermement en place, et refermer le couvercle.

IMPORTANT :

- Ne pas faire fonctionner la sècheuse avec un filtre à charpie dégagé, endommagé, obstrué ou absent. Une telle action peut causer un échauffement et endommager à la fois la sècheuse et les tissus.
- Certaines serviettes de fibres synthétiques et de fibres naturelles (mélanges de polyester et de coton) peuvent produire plus de charpie que les autres serviettes, de telle sorte que le filtre à charpie de la sècheuse se remplit plus rapidement. Veiller à enlever la charpie du filtre avant et après le séchage de serviettes neuves.

- Si de la charpie tombe du filtre la sècheuse durant le retrait, vérifier le clapet de d'évacuation et le débarrasser de la charpie (voir "Vérification du conduit d'évacuation").

Nettoyage au besoin

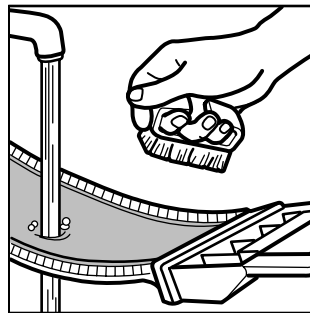
Les détergents de buanderie et les produits assouplissants de tissu peuvent causer une accumulation de résidus sur le filtre à charpie. Cette accumulation peut entraîner des temps de séchage plus longs, ou l'arrêt de l'appareil, avant le séchage complet du linge. Il est possible que vous puissiez voir cette accumulation, ou la charpie peut tomber du filtre lorsqu'il est obstrué.

Nettoyer le filtre à charpie avec une brosse de nylon à tous les six mois ou plus fréquemment s'il devient obstrué par suite d'une accumulation de résidus.

Utiliser la méthode suivante :

1. Mouiller les deux côtés du filtre à charpie avec de l'eau chaude.

2. Mouiller une brosse de nylon avec de l'eau chaude et du détergent liquide; frotter le filtre avec la brosse pour enlever l'accumulation de résidus.



3. Rincer le filtre à l'eau chaude.
4. Assécher à fond le filtre à charpie avec une serviette propre; le replacer dans la sècheuse.

SIGNAL SONORE DE CHARPIE (SUR CERTAINS MODÈLES)

Le premier signal (un son de sifflet) indique le présence de charpie excessive sur votre filtre à charpie. Un filtre rempli de charpie entrave la circulation de l'air et réduit l'efficacité de séchage. Lorsque vous entendez le signal, arrêter la sècheuse et nettoyer le filtre à charpie.



REMARQUE : Nettoyer le filtre à charpie avant chaque charge. N'attendez pas le signal sonore.

NETTOYAGE DE L'INTÉRIEUR DE LA SÉCHEUSE

Les vêtements contenant des teintures instables tels que jeans en denim ou les articles en coton de couleur peuvent décolorer l'intérieur de la sècheuse. Ces taches ne sont pas nuisibles à votre sècheuse, et ne tacheront pas les futures charges de vêtements. Il est utile de sécher les articles à teintures instables à l'envers, pour empêcher le transfert de la teinture.

Nettoyage du tambour de la sècheuse :

1. Préparer une pâte avec du détergent à lessive et de l'eau très chaude.
2. Appliquer la pâte sur un linge doux.

OU

Appliquer un produit de nettoyage liquide ininflammable sur la zone tachée, et frotter avec un linge pour éliminer complètement l'excédent de teinture.



3. Essuyer parfaitement le tambour avec un linge humide.
4. Faire culbuter une charge de chiffons ou de serviettes propres pour sécher le tambour.

⚠ AVERTISSEMENT



Risque d'explosion

Utiliser un produit de nettoyage ininflammable.

Le non-respect de cette instruction peut causer un décès, une explosion ou un incendie.

COMMENT ENLEVER LA CHARPIE ACCUMULÉE DE L'INTÉRIEUR DE LA SÉCHEUSE

La charpie peut s'accumuler à l'intérieur de la sècheuse et constituer un risque d'incendie. La charpie doit être enlevée à tous les 2 ans, ou plus souvent, selon l'utilisation de la sècheuse. Le nettoyage doit être effectué par une personne qualifiée.

CHANGEMENT DE L'AMPOULE DU TAMBOUR (SUR CERTAINS MODÈLES)

Si votre sècheuse utilise une lumière dans le tambour rotatif, elle sera un des deux genres, comme montré. Le luminaire de la sècheuse allumera automatiquement dedans le tambour rotatif lorsque la porte est ouverte.

⚠ AVERTISSEMENT



Risque d'incendie

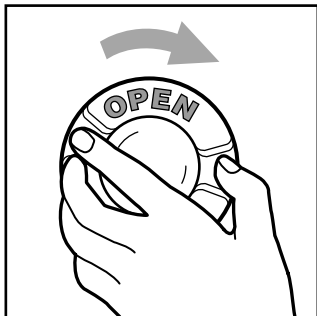
Replacer le couvercle de l'ampoule avant l'utilisation de la sècheuse.

Le non-respect de cette instruction peut être causer un décès ou un incendie.

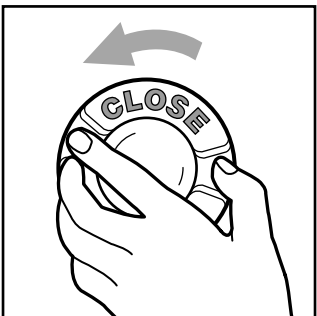
Pour changer l'ampoule du tambour de type 1 :

1. Débrancher la sècheuse ou déconnecter la principale source d'alimentation électrique de la sècheuse.

2. Ouvrir la porte de la sècheuse. Enlever le couvercle de l'ampoule de la paroi arrière en le tournant dans le sens horaire.



3. Enlever l'ampoule en la tournant dans le sens antihoraire.
4. Remplacer l'ampoule par une ampoule pour appareils électroménagers de 40 W seulement.
5. Remettre le couvercle de l'ampoule et le fixer en le tournant dans le sens antihoraire.

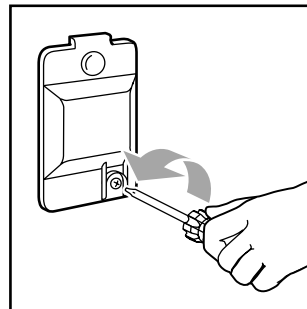


6. Reconnecter la source d'alimentation électrique.

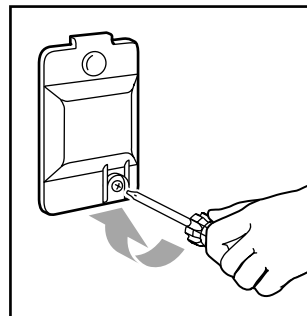
Pour changer l'ampoule du tambour de type 2:

1. Débrancher la sècheuse ou déconnecter la principale source d'alimentation électrique de la sècheuse.

2. Ouvrir la porte de la sècheuse. Enlever le couvercle de l'ampoule de la paroi arrière en enlevant l'écrou située au coin à la droite en bas du couvercle.



3. Enlever l'ampoule en la tournant dans le sens antihoraire.
4. Remplacer l'ampoule par une ampoule pour appareils électroménagers de 10 W seulement.
5. Remettre le couvercle de l'ampoule.



6. Reconnecter la source d'alimentation électrique.

DÉPANNAGE

PROBLÈMES COURANTS DE SÉCHAGE

PROBLÈME	CAUSE POSSIBLE	SOLUTION
Séchage insatisfaisant	<ul style="list-style-type: none">• Filtre à charpie obstrué.• Mouvement d'air entravé. Évacuation ou hotte d'évacuation extérieure obstruée de charpie.• Conduit d'évacuation d'air écrasé ou plissé.• Fusible grillé ou disjoncteur de circuit ouvert. La sècheuse semblera fonctionner mais vous n'obtiendrez pas de chaleur.• Le bouton de réglage de programme ou de la température est à Air Dry.• La charge ne contacte pas les plaques du détecteur et le programme automatique se termine avant la fin.• Des feuilles d'assouplissant textile bloquent la grille d'ouverture.• La sècheuse est située dans une pièce avec température ambiante au-dessous de 7°C (45°F).• Grande quantité d'humidité dans la charge.• Eau froide de rinçage utilisée.• Charge trop grande et encombrante pour un séchage rapide.	<ul style="list-style-type: none">• Nettoyer le filtre à charpie.• Faire fonctionner la sècheuse pendant 5-10 minutes. Placer la main sous le couvercle de la hotte d'évacuation extérieure pour vérifier le mouvement de l'air. Si vous ne ressentez pas d'air, nettoyer le système d'évacuation de charpie ou remplacer le conduit d'évacuation par un conduit en métal lourd ou en métal flexible (voir vos Instructions d'installation).• Remplacer par un conduit en métal lourd ou flexible (voir vos Instructions d'installation).• Remplacer le fusible ou régler de nouveau le disjoncteur.• Choisir le bon programme et la bonne température pour le type de vêtements à sécher (voir "Utilisation de la sècheuse").• Placer la sècheuse d'aplomb (voir vos Instructions d'installation).• Utiliser seulement une feuille d'assouplissant par charge et l'employer une fois seulement.• Placer la sècheuse où elle peut fonctionner à des températures ambiantes au-dessus de 7°C (45°F).• Prévoir des durées de séchage plus longues avec les articles qui retiennent plus d'humidité.• Prévoir des durées de séchage plus longues.• Séparer la charge pour qu'elle culbute librement.
La sècheuse ne fonctionne pas	<ul style="list-style-type: none">• Le cordon d'alimentation électrique n'est pas bien branché dans une prise avec circuit activé de tension appropriée.• Fusibles grillés ou disjoncteurs ouverts.• Utilisation d'un fusible régulier.• Porte de la sècheuse non bien fermée.• Bouton de mise en marche pas bien enforcé.• Bouton de commande de programme réglé à Off.	<ul style="list-style-type: none">• Brancher le cordon d'alimentation électrique dans un circuit activé.• Remplacer les fusibles ou régler les disjoncteurs.• Remplacer avec un fusible temporisé.• Bien fermer la porte de la sècheuse.• Appuyer de nouveau sur le bouton de mise en marche.• Régler le bouton à un programme ou une durée.

PROBLÈMES COURANTS DE SÉCHAGE (SUITE)

PROBLÈME	CAUSE	SOLUTION
Charpie dans la charge	<ul style="list-style-type: none"> • Le filtre à charpie est obstrué. • Triage inapproprié. • Charge excessive ou trop lourde. • Charge surséchée. • Papier ou mouchoir de papier dans les poches. • Duvet mépris pour la charpie. 	<ul style="list-style-type: none"> • Nettoyer le filtre à charpie. Vérifier le mouvement de l'air. • Trier les articles causant la charpie, des articles qui retiennent la charpie et par couleur. • Sécher des charges plus petites de sorte que la charpie peut être transmise au filtre à charpie. • Utiliser le réglage correct de la sècheuse selon le tissu. Le surséchage peut causer de la statique qui attire la charpie (voir "Utilisation de la sècheuse"). • Vider les poches avant le séchage. • Le duvet (duvet à la surface) est causé par l'usure normale et le lavage.
Taches	<ul style="list-style-type: none"> • L'utilisation inappropriée d'un assouplissant de tissu dans la laveuse. • Séchage d'articles souillés. • Surséchage. • Qualité médiocre du vêtement. • Instructions du fabricant sur l'étiquette d'entretien non suivies. 	<ul style="list-style-type: none"> • Utiliser des feuilles d'assouplissant de tissu dans la sècheuse. Les ajouter au début du programme lorsque la charge est froide. • Les articles ont besoin d'être nettoyés avant d'être séchés. • Adopter les réglages de la sècheuse selon le type de tissu (voir "Utilisation de la sècheuse"). • Vérifier la qualité du vêtement avant l'achat. • Suivre attentivement les instructions sur l'étiquette.
Rétrécissement	<ul style="list-style-type: none"> • Surcharge. • Surséchage. 	<ul style="list-style-type: none"> • Sécher des charges plus petites qui peuvent culbuter librement. • Assortir les réglages de la sècheuse au type de tissus (voir "Utilisation de la sècheuse").
Faux plis	<ul style="list-style-type: none"> • Charge laissée dans la sècheuse à la fin d'un programme. 	<ul style="list-style-type: none"> • Enlever la charge dès que le culbutage cesse.
Odeurs	<ul style="list-style-type: none"> • Produits chimiques, peinture ou vernis domestique attirés dans la sècheuse. • Première utilisation de l'élément dans la sècheuse. 	<ul style="list-style-type: none"> • Ne pas utiliser la sècheuse pendant que ces émanations chimiques sont dans l'air. • Disparaîtront après le premier programme.
Sons inhabituels	<ul style="list-style-type: none"> • Le bruit des rouleaux lorsque la sècheuse n'a pas été utilisée depuis quelque temps. 	<ul style="list-style-type: none"> • Ce bruit disparaîtra après 5 minutes de séchage.

suite à la page suivante

ASSISTANCE OU SERVICE

SI VOUS AVEZ BESOIN D'ASSISTANCE OU DE SERVICE

1. Si le problème n'est pas attribuable à l'une des causes indiquées dans "Dépannage"[†]...

Communiquer avec le marchand où vous avez acheté votre appareil électroménager, ou téléphoner au service des relations avec la clientèle d'Inglis Limitée, sans frais d'interurbain, entre **8h 30 et 18 h (HNE)**, en composant **1-800-461-5681**.



2. Si vous avez besoin de service[†]...

Contactez Inglis Limitée de n'importe où au Canada au **1-800-807-6777**.

[†] Lorsque vous demandez de l'assistance ou un service, veuillez fournir une description détaillée du problème, les numéros complets de modèle et de série de l'appareil, et la date d'achat. (Voir la section "Note à l'utilisateur.") Ces renseignements nous aideront à mieux répondre à votre demande.

SI VOUS AVEZ BESOIN DE PIÈCES DE RECHANGE

Si vous avez besoin de commander des pièces de rechange, nous vous recommandons d'utiliser seulement des pièces d'origine FSP*. Ces pièces conviendront et fonctionneront bien parce qu'elles sont fabriquées selon les mêmes spécifications précises utilisées pour construire chaque nouvel appareil électroménager WHIRLPOOL*.

Pour trouver des pièces d'origine FSP dans votre région, téléphoner au Centre de service désigné le plus proche.

POUR PLUS D'ASSISTANCE

Si vous avez besoin de plus d'assistance, vous pouvez écrire à Inglis Limitée en soumettant toute question ou préoccupation au :

Service des relations avec la clientèle
Inglis Limitée
1901 Minnesota Court
Mississauga, Ontario L5N 3A7

Veuillez indiquer dans votre correspondance un numéro de téléphone où l'on peut vous joindre le jour.

WHIRLPOOL* GARANTIE DE LA SÉCHEUSE

DURÉE DE LA GARANTIE	CE QUI EST COUVERT PAR LA GARANTIE
GARANTIE COMPLÈTE DE UN AN À COMPTER DE LA DATE D'ACHAT	Pièces de rechange FSP* et la main-d'oeuvre pour corriger les vices de matériau ou de fabrication. Les travaux doivent être exécutés par un établissement de service désignée par Whirlpool.
GARANTIE DE LA DEUXIÈME À LA QUINZIÈME ANNÉE INCLUSIVEMENT À COMPTER DE LA DATE D'ACHAT	Pièces de rechange FSP pour le tambour de la sècheuse s'il existe des perforations par la rouille.
CE QUI N'EST PAS COUVERT PAR LA GARANTIE	
<p>A. Visites de service pour :</p> <ol style="list-style-type: none"> Rectifier l'installation de la sècheuse, y compris le système d'évacuation de l'air. Le conduit d'évacuation en métal lourd de 10,14 cm (4 po) doit être utilisé. Se référer aux instructions d'installation et à la section du conduit d'évacuation de ce manuel. Donner des instructions concernant l'utilisation de la sècheuse, remplacer les fusibles, ou réactiver les coupe-circuit ou remplacer les ampoules d'éclairage accessibles au propriétaire. <p>B. Les réparations, lorsque la sècheuse est utilisée à des fins autres qu'un usage unifamilial normal.</p> <p>C. Les dommages imputables à un accident, modification, usage impropre, abus, incendie, inondation, actes de Dieu, installation incorrecte (y compris mais non limités aux conduit d'évacuation en plastique ou métallisé souple), ou installation non conforme aux codes locaux d'électricité et de plomberie.</p> <p>D. Pièces de rechange ou frais de main-d'oeuvre pour les appareils utilisés en dehors du Canada.</p> <p>E. La prise en charge et la livraison. Ce produit est conçu pour être réparé à domicile.</p> <p>F. Les réparations des pièces ou systèmes résultant de modifications non autorisées apportées à l'appareil.</p> <p>G. Frais de voyage ou transport pour les clients qui habitent dans des régions éloignées.</p>	

2/99

WHIRLPOOL CORPORATION ET INGLIS LIMITÉE DÉCLINE TOUTE RESPONSABILITÉ AU TITRE DE DOMMAGES SECONDAIRES OU INDIRECTS.

Certaines provinces peuvent ne pas admettre l'exclusion ou la limitation des dommages secondaires ou indirects; par conséquent, l'exclusion ou la limitation mentionnée ci-dessus peut ne pas s'appliquer dans votre cas. Cette garantie vous confère des droits juridiques spécifiques; vous pouvez également jouir d'autres droits, variables d'une province à une autre.

Si une intervention de service est nécessaire, consulter d'abord la section "Dépannage" de ce manuel. Une autre aide peut être trouvée en vérifiant la section "Assistance ou service" ou téléphoner à Inglis Limitée au en composant **1-800-807-6777**.

Free Manuals Download Website

<http://myh66.com>

<http://usermanuals.us>

<http://www.somanuals.com>

<http://www.4manuals.cc>

<http://www.manual-lib.com>

<http://www.404manual.com>

<http://www.luxmanual.com>

<http://aubethermostatmanual.com>

Golf course search by state

<http://golfingnear.com>

Email search by domain

<http://emailbydomain.com>

Auto manuals search

<http://auto.somanuals.com>

TV manuals search

<http://tv.somanuals.com>