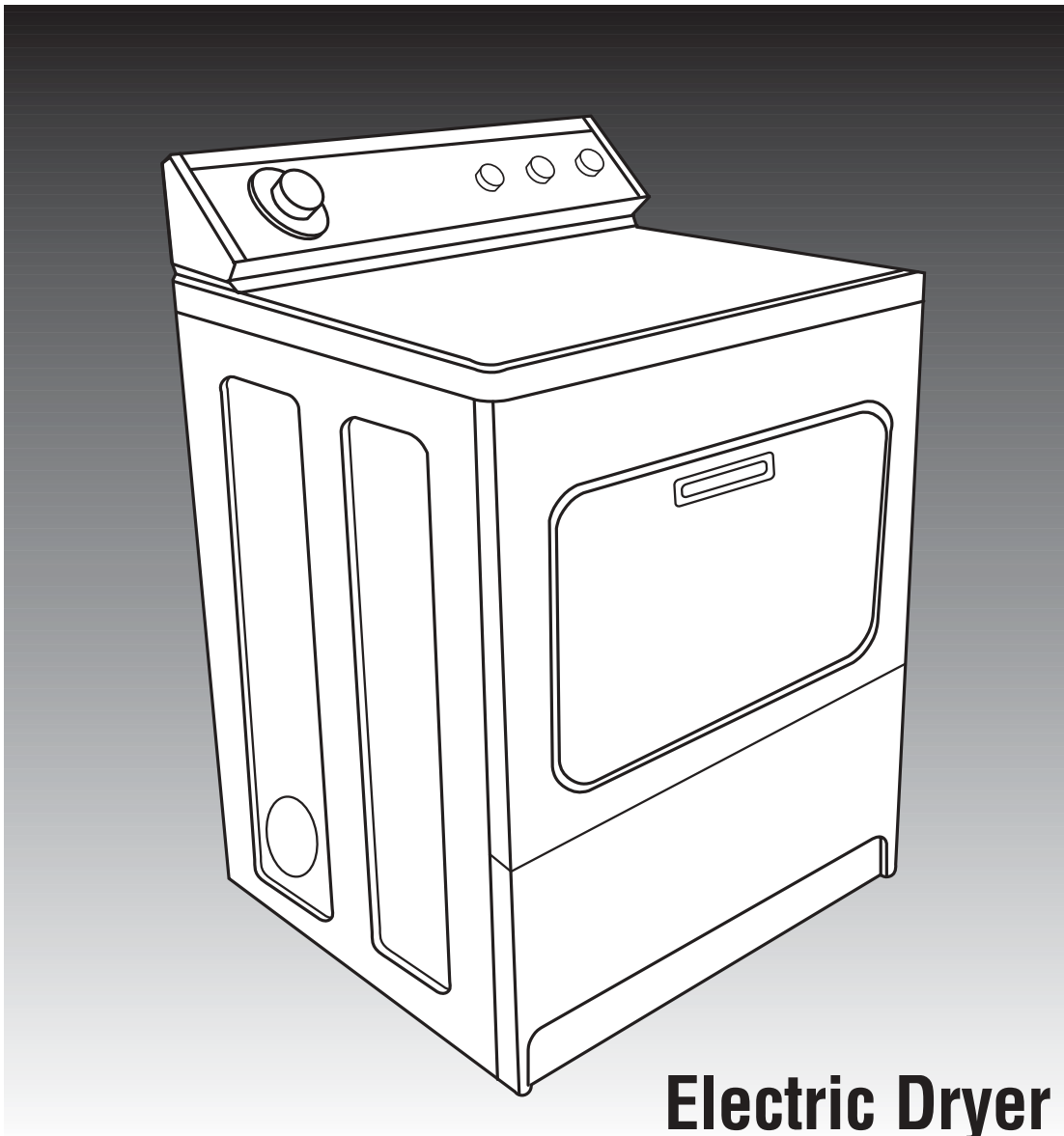


Installation Instructions



Electric Dryer

IMPORTANT:

Read and save these instructions.

Installer: Leave Installation Instructions with homeowner.

Homeowner: Keep Installation Instructions for future reference. For best performance, install dryer according to Installation Instructions. Failure to complete installation as instructed could void warranty.

Save Installation Instructions for local inspector's use.

Have questions about your dryer?

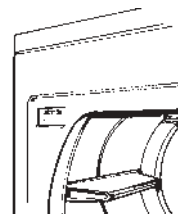
Call your dealer or local authorized service company.

When you call, you will need the dryer model number and serial number. Both numbers are on the model/serial rating plate located in the door well behind the dryer door and on front of opening.

Record the numbers here for handy reference:

Model No. _____

Serial No. _____



Before you begin...

Your safety and the safety of others are very important.

We have provided many important safety messages in this manual and on your appliance. Always read and obey all safety messages.



This is the safety alert symbol.

This symbol alerts you to potential hazards that can kill or hurt you and others.

All safety messages will follow the safety alert symbol and either the word "DANGER" or "WARNING". These words mean:

! DANGER

You can be killed or seriously injured if you don't immediately follow instructions.

! WARNING

You can be killed or seriously injured if you don't follow instructions.

All safety messages will tell you what the potential hazard is, tell you how to reduce the chance of injury, and tell you what can happen if the instructions are not followed.

Check that you have everything necessary for correct installation. Proper installation is your responsibility.

! WARNING



Explosion Hazard

Keep flammable materials and vapors, such as gasoline, away from dryer.

Place dryer at least 18 inches above the floor for a garage installation.

Failure to do so can result in death, explosion, or fire.

For proper drying performance:

The location must provide:

- **Protection from weather and water:** Do not store or use dryer where it will be exposed to water and weather.
- **Room temperature above 45°F:** If room temperature is below 45°F, automatic cycles may not shut off.
- **Level floor:** Maximum slope under entire dryer should not be more than 1 inch. If slope is greater than 1 inch, install Extended Dryer Feet Kit, Part No. 279810. Clothes may not tumble properly and automatic sensor cycles may not operate correctly if dryer is not level.
- **Sturdy floor** to support dryer weight of 175 pounds.

It is your responsibility to:

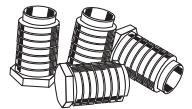
- **Observe all governing codes and ordinances.**
- **Check code requirements:** Some codes limit or do not permit installation of clothes dryers in garages, closets, mobile homes or sleeping quarters. Contact your local building inspector.
- Comply with the installation specifications and dimensions.
- Consider spacing requirements for companion appliances.
- Properly install dryer.
- Check that you have everything necessary for proper installation.
- Contact a qualified installer to insure that the electrical installation meets all national and local codes and ordinances.

Tools needed for installation

- level
- gloves
- adjustable wrench that opens to 1" or 1" hex-head socket wrench
- flat-blade screwdriver
- #2 Phillips screwdriver
- safety glasses
- tin snipes (new vent installation)
- caulking gun and compound
- wire strippers (direct wire installation)

Parts supplied for installation

Remove parts package from dryer drum. Check that all parts were included.



4 leveling legs

Parts needed for installation

Check local codes and see electrical and venting requirements, Panels A and B, before purchasing parts. Determine if you will need to purchase a power supply cord kit or power supply cable.

Electrical





If using a power supply cord:

Dryer power supply cord must be:

- U.L.-listed
- 120/240-volt minimum
- 30-ampere
- Type SRD or SRDT
- At least 4 feet long

The wires that connect to the dryer must end in ring terminals or spade terminals with upturned ends.

The receptacle must be located within 3 feet of the top, back center of the control console.

If your outlet looks like this:	Choose this power supply cord:
 4-wire receptacle (14-30R)	 4-wire power supply cord with ring or spade terminals and U.L.-listed strain relief
 3-wire receptacle (10-30R)	 3-wire power supply cord with ring or spade terminals and U.L.-listed strain relief

If connecting by direct wire:

Power supply cable must match power supply (4-wire or 3-wire) and be:

- flexible armored or non-metallic sheathed copper cable (with ground wire). All current-carrying wires must be insulated. See Panels D and E.
- 10-GAUGE SOLID COPPER WIRE. (Do not use aluminum.)
- at least 4 feet long.

Venting system

! WARNING



Fire Hazard

Use a heavy metal vent.
Do not use a plastic vent.
Do not use a metal foil vent.
Failure to do so can result in death or fire.

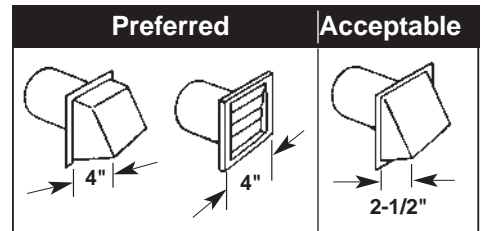
Four-inch heavy metal exhaust vent and clamps must be used. Dura Safe™ vent products are recommended.

Dura Safe vent products can be purchased from your dealer or by calling Whirlpool Parts & Accessories 1-800-442-9991, Mon-Fri: 8am to 9pm (CST), Sat: 9am to 4:30pm (CST). Visit our internet site at <http://www.whirlpoolappliances.com/accessories>

See Page 11 for more information.

Exhaust hood

Do Not use exhaust hoods with magnetic latches.



Mobile home installations require:

- Mobile Home Installation Kit, Part Number 346764*
- Metal exhaust system hardware*

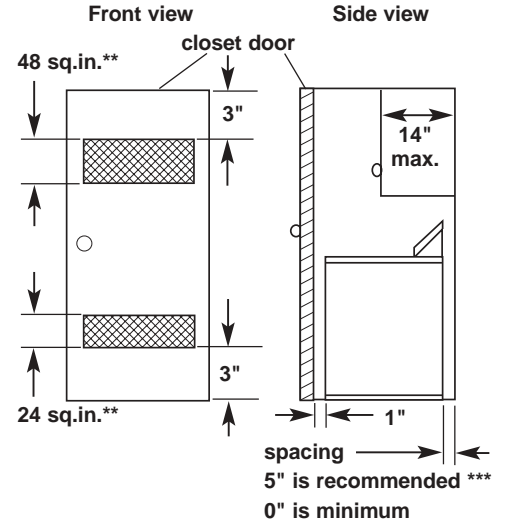
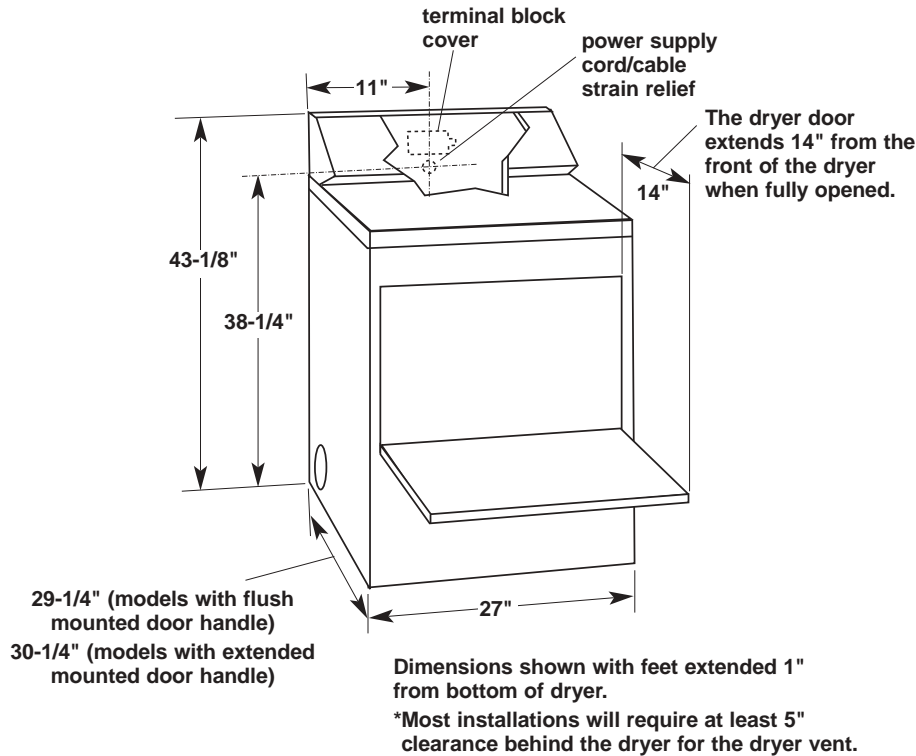
Floors sloped greater than 1 inch:

Require Extended Dryer Feet Kit, Part No. 279810*.

*Available for purchase from your dealer.

Dryer dimensions

Closet/confined area installation



** Minimum top and bottom air openings for closet door.

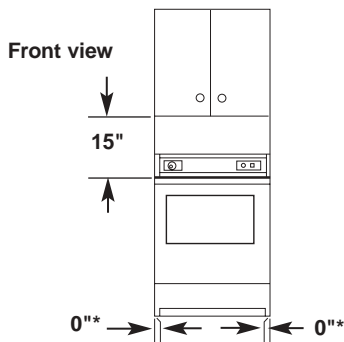
*** External exhaust elbow requires recommended spacing.

If a closet door is installed: The minimum unobstructed air openings are required. Louvered doors with equivalent air openings are acceptable.

Recessed area installation

WARNING — To reduce the risk of fire this appliance **MUST BE EXHAUSTED OUTDOORS**

- Dimensions are in inches and are the minimum allowable.
- Additional spacing should be considered for ease of installation and servicing. Companion appliance spacing should also be considered.



* Wall, door and floor molding may require additional spacing.

- A clothes dryer produces combustible lint and must be exhausted outdoors.
- If codes permit, dryer may be installed in a recessed area or closet using dimensions shown.

Installation clearances.

Use recommended clearance for easier installation.

Recommended/minimum

- Back – 5"/0"
- Sides – 1"/0"
- Top – 18"/15"

Installation clearances.

Use recommended clearance for easier installation.

Recommended/minimum

- Back – 5"/0"
- Sides – 1"/0"
- Top – 18"/15"
- Front – 1"/1"

Electrical requirements

⚠ WARNING



Electrical Shock Hazard

Plug into a grounded 3-prong outlet.

Do not remove ground prong.

Do not use an adapter.

Do not use an extension cord.

Failure to follow these instructions can result in death, fire, or electrical shock.

If codes permit and a separate ground wire is used, it is recommended that a qualified electrician determine that the ground path is adequate.

Important: Observe all governing codes and ordinances.

A four-wire or three-wire, single phase, 120/240-volt, 60-Hz, AC-only, electrical supply (or four-wire or three-wire, 120/208-volt if specified on model/serial rating plate) is required on a separate 30-ampere circuit, fused on both sides of the line. A time-delay fuse or circuit breaker is recommended.

Recommended ground method

It is the personal responsibility and obligation of the customer to contact a qualified electrician to assure that the electrical installation is adequate and is in conformance with the National Electrical Code, ANSI/NFPA 70 — latest edition* and all local codes and ordinances.

Copies of the standards listed may be obtained from:

* National Fire Protection Association
One Batterymarch Park
Quincy, Massachusetts 02269

Exhaust requirements

⚠ WARNING



Fire Hazard

Use a heavy metal vent.

Do not use a plastic vent.

Do not use a metal foil vent.

Failure to follow these instructions can result in death or fire.

- Do Not use non-metal flexible vent, or exhaust hoods with magnetic latches.
- Do Not exhaust dryer into any gas vent, chimney, furnace, cold air vent, wall, ceiling, concealed space of a building, attic or crawl space, or any other vent used for venting.
- Do Not install flexible vent in enclosed walls, ceilings or floors.

Important: Observe all governing codes and ordinances.

Exhaust your dryer to the outside. Moisture and lint indoors may cause:

- Lint to gather around the dryer where it can be fuel for a fire.
- Moisture damage to woodwork, furniture, paint, wallpaper, carpet, etc.
- Housecleaning problems and health problems.

Dura Safe™ venting products are recommended and are available from your dealer.

Four-inch diameter vent must be used.

Use a heavy metal vent. Do Not use plastic or metal foil vent.

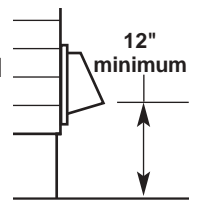
Rigid metal vent is recommended to prevent crushing and kinking.

Flexible metal vent must be fully extended and supported when the dryer is in its final position. Remove excess flexible vent to avoid sagging and kinking that may result in reduced air flow.

An exhaust hood should cap the exhaust vent to prevent rodents and insects from entering the home.

Exhaust outlet hood

must be at least 12 inches from the ground or any object that may be in the path of the exhaust (such as flowers, rocks or bushes, etc.).



If using an existing exhaust system, clean lint from entire length of system and make sure exhaust hood is not plugged with lint.

Replace any plastic or metal foil vent with rigid metal or flexible metal vent.

Use clamps to seal all joints. Do Not use duct tape, screws or other fastening devices that extend into the interior of the vent to secure vent.

Service check: Back pressure in any exhaust system used must not exceed 0.6 inches in water column measured with an incline manometer at the point that exhaust vent connects to dryer.

Mobile home installation requirements

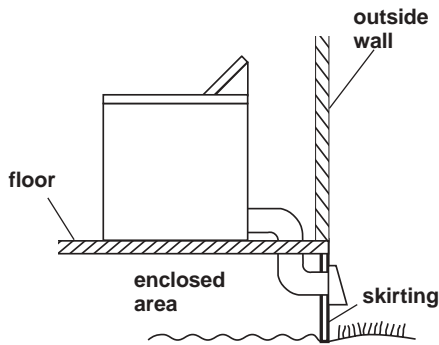
If codes permit, this dryer is suitable for mobile home installations. The installation of the dryer must conform to the

U.S. Manufactured Home Construction and Safety Standard, Title 24 CFR, Part 3280 (formerly the Federal Standard for Mobile Homes Construction and Safety, Title 24, HUD Part 280) latest edition.

The dryer must be fastened to the floor.

Order Mobile Home Installation Kit, Part No. 346764, from your dealer. Kit includes the necessary fastening hardware and detailed installation instructions. Metal exhaust system is also available through your dealer.

Special provisions must be made for the introduction of outside air into the dryer when installed in a mobile home. The area of any opening for the introduction of outside air (such as a nearby window) should be at least twice as large as the dryer exhaust opening.

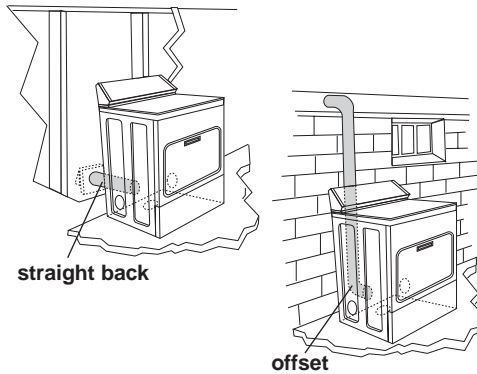


The dryer must be exhausted outside.

The exhaust vent must be securely fastened to a non-combustible portion of the mobile home structure and must not terminate beneath the mobile home.

Plan the exhaust vent installation

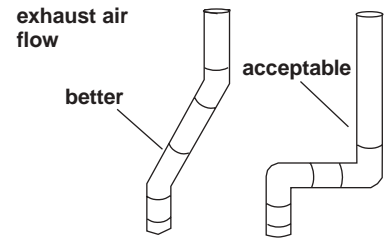
Typical installations exhaust from the rear of the dryer.



Route the vent

The **exhaust outlet** is located at the center of the rear of the dryer.

The **exhaust vent** can be routed up, down, left, right or straight out the back of the dryer. See "Recessed area/closet installation" section, Page 4, for space requirements.

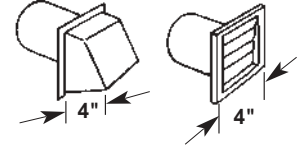


Select the route that will provide the **straightest and most direct path outdoors**. Plan the installation to use the fewest number of elbows and turns. Avoid making 90° turns.

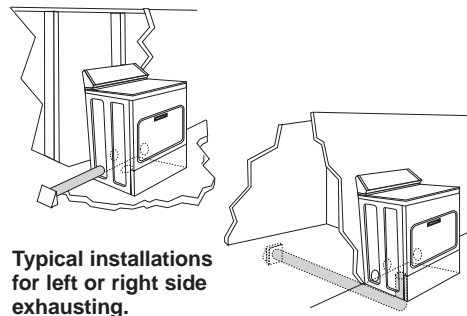
When using elbows or making turns, allow as much room as possible. Bend vent gradually to avoid kinking.

Determine vent length

Preferred —



This dryer may be converted to exhaust out the right or left side or through the bottom.



Typical installations for bottom exhausting.

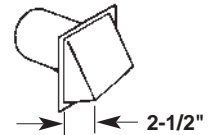
To convert the dryer, the following kits are available from your dealer.

- Exhaust Kit No. 279818 (white)
- Exhaust Kit No. 279819 (almond)
- Exhaust Kit No. 279925 (biscuit)
- Exhaust Kit No. 279969 (silver)

When you have a 4' hood

Number of 90° elbows	Maximum length of 4" diameter metal vent	
	Rigid	Flexible (fully extended)
0	64 feet	36 feet
1	54 feet	31 feet
2	44 feet	27 feet
3	35 feet	25 feet
4	27 feet	23 feet

Acceptable —



When you have a 2-1/2' hood

Number of 90° elbows	Maximum length of 4" diameter metal vent	
	Rigid	Flexible (fully extended)
0	58 feet	28 feet
1	48 feet	23 feet
2	38 feet	19 feet
3	29 feet	17 feet
4	21 feet	15 feet

The maximum length of the exhaust system depends upon:

- the type of vent (rigid or flexible metal).
- the number of elbows used.
- side or bottom exhaust. Side or bottom exhaust adds a 90° turn inside the dryer. To determine maximum exhaust length, add one 90° turn to the chart.

1. See the exhaust vent length chart that matches your type hood for the maximum vent lengths you can use.

Do not use vent runs longer than specified in exhaust vent length charts.

Exhaust systems longer than specified will:

- Accumulate lint creating a potential fire hazard.
 - Shorten the life of the dryer.
 - Reduce performance, resulting in longer drying times and increased energy usage.
2. Determine the number of elbows you will need.
3. In the column listing the type of metal vent you are using (rigid or flexible), find the maximum length of metal vent on the same line as the number of elbows.
4. Determine the number of 4-inch diameter vent clamps required.

The maximum length using a 2" x 6" rectangular vent with 2 elbows and a 2-1/2" exhaust hood is 8 feet.

For exhaust systems not covered by exhaust vent length charts (such as multiple unit hookups, plenums, and power-assist fans), see Service Manual, Part No. 603197. (To purchase the Service Manual, see your Use and Care Guide for a toll-free telephone number.)

Installation steps

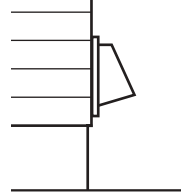
If installing washer and dryer, install dryer first.

SLIDE DRYER ONTO CARDBOARD OR HARDBOARD BEFORE MOVING ACROSS TO PREVENT FLOOR DAMAGE.

A. Install vent system

Put on safety glasses and gloves.

Install exhaust hood. Use caulking compound to seal exterior wall opening around exhaust hood.



Connect exhaust vent to hood. (Exhaust vent **MUST** fit inside hood.) Secure vent to hood with 4-inch clamp.

Run exhaust vent to dryer location. Use the straightest path possible. Avoid 90° turns. Use clamps to seal all joints. Tin snips may be needed to cut vent to required length.

B. Prepare the dryer

⚠ WARNING

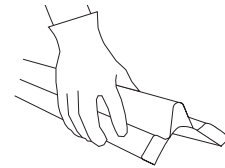
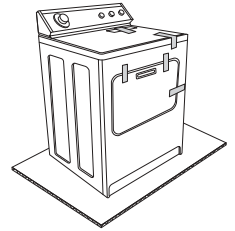
Excessive Weight Hazard

Use two or more people to move and install dryer.

Failure to do so could result in back or other injury.

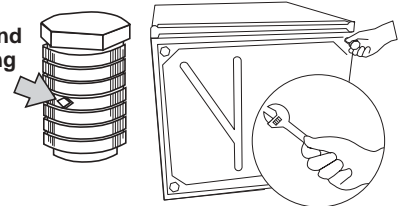
Remove tape from dryer cabinet. Open dryer door and remove tape from dryer drum. (Not all dryer drums are taped.)

Remove drying rack, if included. Turn dryer drum counterclockwise to make sure all tape was removed. Wipe drum with damp cloth to remove any dust.



Take two cardboard corners from dryer carton and place them on floor in back of dryer. Firmly grasp body of dryer and gently lay it on its back on the cardboard corners.

diamond marking



Start to screw legs into holes by hand. Use an adjustable wrench or 1" hex-head socket wrench to finish turning legs until you reach the ridge with the diamond marking.

Stand dryer up on cardboard or hardboard.

C. Electrical connection

GROUNDING INSTRUCTIONS: This appliance must be grounded. In the event of malfunction or breakdown, grounding will reduce the risk of electric shock by providing a path of least resistance for electric current.

If using a power supply cord, the plug must be plugged into an appropriate outlet that is properly installed and grounded in accordance with all local codes and ordinances.

If using a direct wire connection, this appliance must be connected to a grounded metal, permanent wiring system; or an equipment-ground conductor must be run with the circuit conductors and connected to the equipment-ground terminal or lead on the appliance.

WARNING - Improper connection of the equipment-grounding conductor can result in a risk of electric shock. Check with a qualified electrician or serviceman if you are in doubt as to whether the appliance is properly grounded. Do not modify the power supply cord plug. If it will not fit the outlet, have a proper outlet installed by a qualified electrician.

Power supply cord

⚠ WARNING



Fire Hazard

Use a new UL approved 30 ampere power supply cord.
Use a UL approved strain relief.
Disconnect power before making electrical connections.
Connect neutral wire (white or center wire) to center terminal (silver).
Ground wire (green or bare wire) must be connected to green ground connector.
Connect remaining 2 supply wires to remaining 2 terminals (gold).
Securely tighten all electrical connections.
Failure to do so can result in death, fire, or electrical shock.

Direct wire

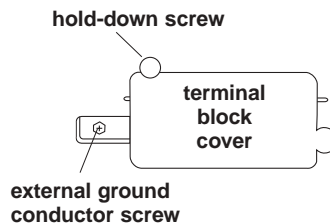
⚠ WARNING



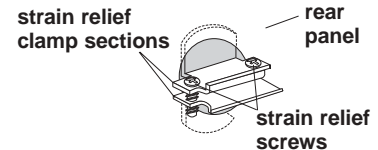
Fire Hazard

Use 10 gauge solid copper wire.
Use a UL approved strain relief.
Disconnect power before making electrical connections.
Connect neutral wire (white or center wire) to center terminal (silver).
Ground wire (green or bare wire) must be connected to green ground connector.
Connect remaining 2 supply wires to remaining 2 terminals (gold).
Securely tighten all electrical connections.
Failure to do so can result in death, fire, or electrical shock.

1. Disconnect the power supply.



2. Remove hold-down screw and terminal block cover.

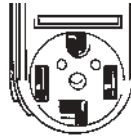


3. Assemble 3/4" U.L.-listed strain relief (U.L. marking on strain relief) into the hole below terminal block opening. Tighten strain relief screws just enough to hold the two clamp sections together. Install power supply cord/cable through the strain relief.

Complete installation following instructions for your type of connection:

- Four-wire (recommended method)
- Three-wire (if four-wire is not available)

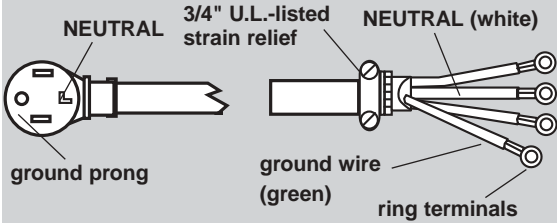
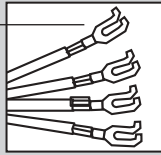
Four-wire connection...



14-30R Four-wire receptacle (required for mobile homes)

POWER SUPPLY CORD

spade terminals with upturned ends

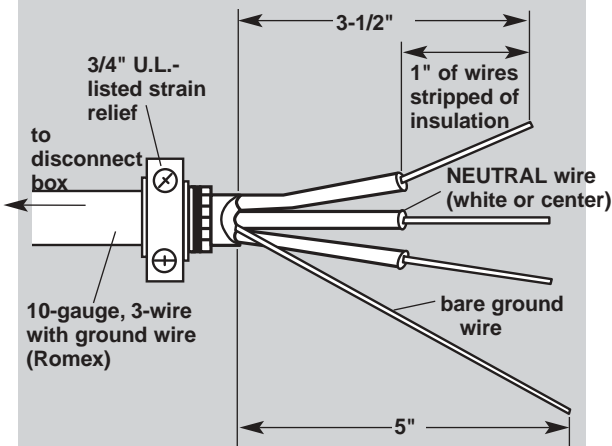


Four-wire power supply cord at least four feet long must have four, No.-10 copper wires and match a four-wire receptacle of NEMA Type 14-30R. The fourth wire (ground conductor) must be identified with a green cover and the neutral conductor by a white cover.

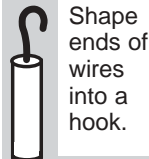
- Remove center terminal block screw.
- Connect ground wire (green) of power supply cord to external ground conductor screw. Tighten screw.
- Remove appliance ground wire (green with yellow stripes) from external ground connector screw. Fasten under center, silver-colored terminal block screw.
- Connect the other wires to outer terminal block screws. Tighten screws.
- Tighten strain relief screws.
- Insert tab of terminal block cover into slot of the dryer rear panel. Secure cover with hold-down screw.
- Connect neutral wire (white or center) of power supply cord under center screw of the terminal block. Tighten screw.

DIRECT WIRE

Preparing the wire:



Direct wire cable must have four feet of extra length so dryer can be moved if needed. Strip 5 inches of outer covering from end of cable. Leave bare ground wire at 5 inches. Cut 1-1/2 inches from 3 remaining wires. Strip insulation back 1 inch.

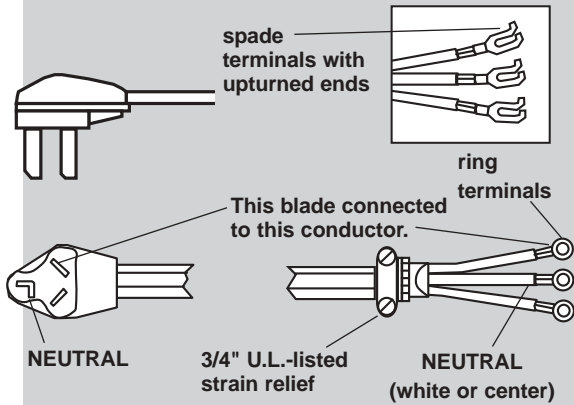


- Remove center terminal block screw.
- Connect the ground wire (bare) of the power supply cable to the external ground conductor screw. Tighten screw.
- Remove appliance ground wire (green with yellow stripes) from external ground connector screw. Fasten under center, silver-colored terminal block screw.
- Place the hooked ends of the other power supply cable wires under the outer terminal block screws (hook facing right). Squeeze hooked ends together. Tighten screws.
- Tighten strain relief screws.
- Insert tab of terminal block cover into slot of dryer rear panel. Secure cover with hold-down screw.
- Place the hooked end of the neutral wire (white or center) of power supply cable under the center screw of terminal block (hook facing right). Squeeze hook end together. Tighten screw.

Three-wire connection...



POWER SUPPLY CORD

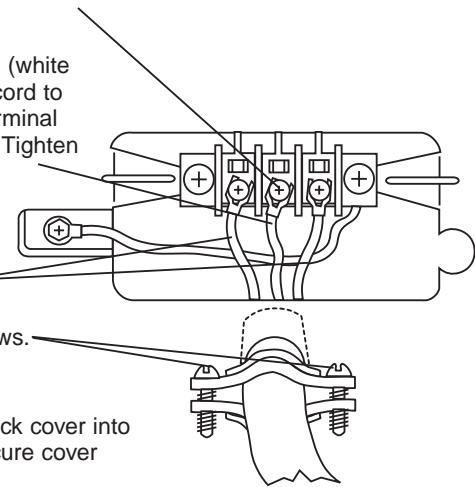


Three-wire power supply cord at least four feet long must have three, No.-10 copper wires and match a three-wire receptacle of NEMA Type 10-30R.

10-30R Three-wire receptacle

Where local codes permit connecting cabinet-ground conductor to neutral wire:

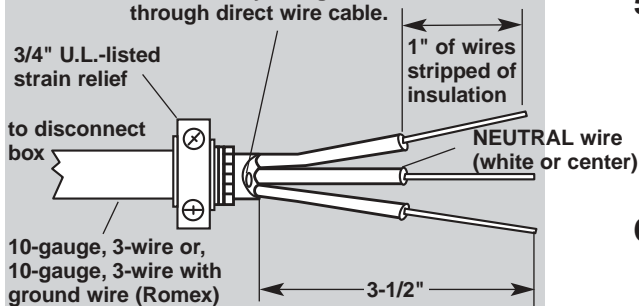
- Loosen or remove center terminal block screw.
- Connect the neutral wire (white or center) of power supply cord to the center, silver-colored terminal screw of the terminal block. Tighten screw.
- Connect the other wires to outer terminal block screws. Tighten screws.
- Tighten strain relief screws.
- Insert tab of terminal block cover into slot of dryer rear panel. Secure cover with hold-down screw.



DIRECT WIRE

Preparing the wire:

Three-wire with ground wire: Bare wire cut short. Wire is not used. Dryer is grounded through direct wire cable.



Direct wire cable must have four feet of extra length so dryer can be moved if needed.

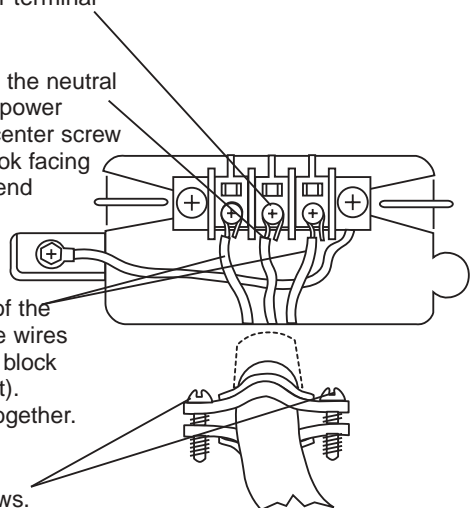
Strip 3-1/2 inches of outer covering from end of cable. Strip insulation back 1 inch. If using 3-wire cable with ground wire, cut bare wire even with outer covering.



Shape ends of wires into a hook.

Where local codes permit connecting cabinet-ground conductor to neutral wire:

- Loosen or remove center terminal block screw.
- Place the hooked end of the neutral wire (white or center) of power supply cable under the center screw of the terminal block (hook facing right). Squeeze hooked end together. Tighten screw.
- Place the hooked ends of the other power supply cable wires under the outer terminal block screws (hook facing right). Squeeze hooked ends together. Tighten screws.
- Tighten strain relief screws.
- Insert tab of terminal block cover into slot of dryer rear panel. Secure cover with hold-down screw.



DIRECT WIRE OR POWER SUPPLY CORD

Three-wire power supply cord must be four feet long and have three, No.-10 copper wires and match a three-wire receptacle of NEMA Type 10-30R.

Direct wire power supply cable must be prepared as shown in "Preparing the wire" of the three-wire connection direct-wire steps above.

If codes permit and a separate ground wire is used, it is recommended that a qualified electrician determine that the ground path is adequate.

Where local codes Do Not permit connecting cabinet-ground conductor to neutral wire:

4. Remove center terminal block screw.

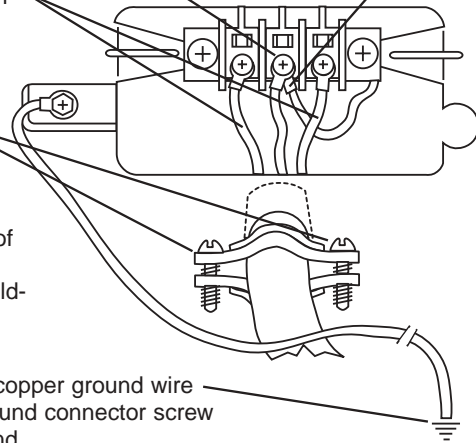
6. Connect the other wires to outer terminal block screws. Tighten screws.

7. Tighten strain relief screws.

8. Insert tab of terminal block cover into slot of dryer rear panel. Secure cover with hold-down screw.

9. Connect a separate copper ground wire from the external ground connector screw to an adequate ground.

5. Remove the appliance ground wire (green with yellow stripes) from the external ground connector screw. Connect appliance ground wire and the neutral wire (white or center) of the power supply cord/cable under the center, silver-colored terminal block screw. Tighten screw.

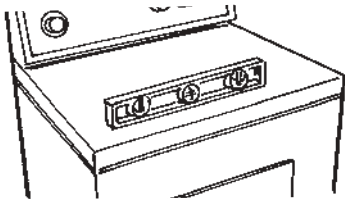


D. Level and exhaust dryer

Dryer must be level to reduce noise and assure proper performance.

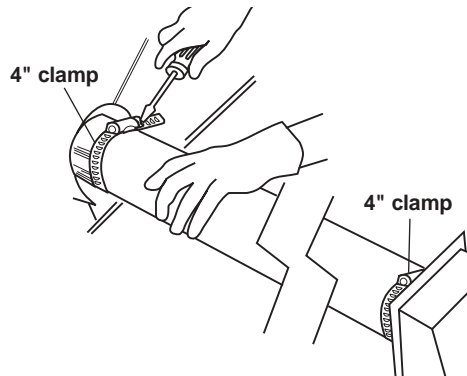
Slide dryer onto cardboard or hardboard before moving across floor to prevent floor damage.

Move dryer close to its permanent location. Leave enough room to connect exhaust vent. Remove cardboard or hardboard from under dryer



Check levelness of dryer by placing a level on top of dryer, first side to side, then front to back. If dryer is not level, adjust dryer legs up or down.

If legs are not long enough to level dryer, order Extended Dryer Feet Kit, Part No. 279810 (sold two legs per kit), from your dealer.



Using a 4-inch clamp, connect exhaust vent to exhaust outlet in dryer. If connecting to existing exhaust vent, make sure the vent is clean.

The dryer exhaust vent **must** fit over the dryer exhaust outlet and inside the exhaust hood.

Make sure exhaust vent is secured to exhaust hood with a 4-inch clamp.

Move dryer into final position. Do not crush or kink exhaust vent. Make sure dryer is level.

F. Check operation

Check that you:

- ✓ did not skip any steps.
- ✓ installed all parts.
- ✓ properly installed dryer legs.
- ✓ leveled dryer.
- ✓ have secured all exhaust vent joints with 4" clamps.
- ✓ have all the tools you started with.

Plug power supply cord into grounded outlet or connect direct wire to power supply. Turn power supply on.

Read the Use and Care Guide to fully understand your new dryer. Select a full heat cycle (not the air cycle) and start dryer. After five minutes, open dryer door. You should feel heat inside dryer.

If dryer does not operate properly, check the following:

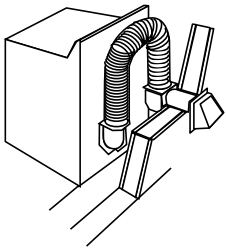
- ✓ electrical supply is connected.
- ✓ house fuse is intact and tight; or circuit breaker has not tripped.
- ✓ dryer door is closed.
- ✓ controls are set in a running or "On" position.
- ✓ start button has been pushed firmly.

If dryer makes an unusual noise, check that dryer is level.

**CRUSH
RESISTANT**

Dura Safe™ SURE CONNECT™ Vent Kit

Kits Make Installation Easy



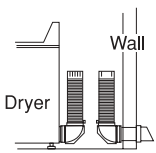
Part #4396028

- ◆ Provides 4 1/2" clearance between dryer and wall
- ◆ Snap-Lock fittings
- ◆ Total kit length 8 feet
- ◆ Additional vent can be snapped between sections for longer runs

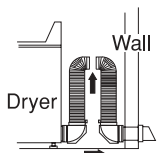
Kit Contains:

- 2 - 4' vent sections with attached close elbows
- 1 - Wall plate for close clearance installations
- 2 - 4" clamps

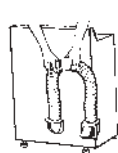
"As easy as 1-2-3"



Step 1
Clamp one elbow/vent section to wall and one to dryer.



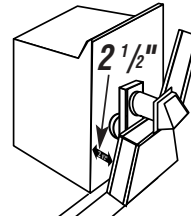
Step 2
Extend vent upward, almost to top of dryer, then push dryer to wall.



Step 3
From over the top, snap vent together.

Periscopes For Offset Outlets, Tight Installations

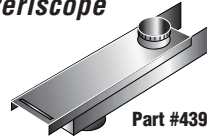
- ◆ Provides 2 1/2" clearance between dryer and wall
- ◆ Great for closet installations
- ◆ 0"-18", 18"-29" or 29"-50" periscopes include one male snap-lock fitting, one extra long draw-band collar and one clamp



0"-18" : Part #4396037
18"-29" : Part #4396011
29"-50" : Part #4396014

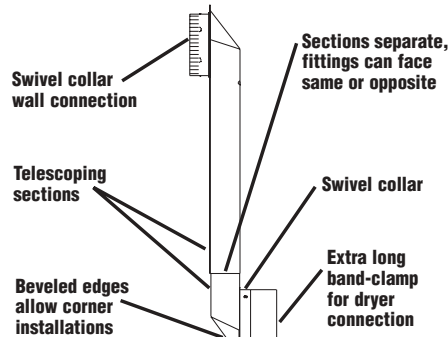
0"-18" Periscope

- ◆ Use when vent outlets overlap or are offset
- ◆ Excess length can be trimmed to fit



Part #4396037

18"-29" and 29"-50" Periscope



18"-29" : Part #4396011

29"-50" : Part #4396014

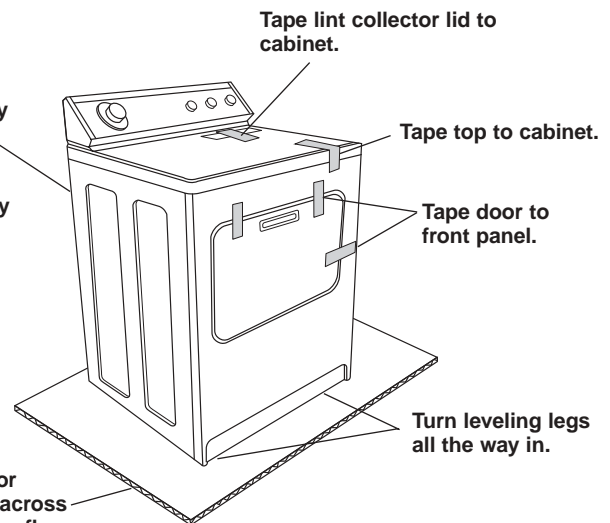
For more information, or to have your venting professionally installed, call the Consumer Assistance Center. Check your Use and Care Guide for a toll-free number to call or call the dealer from whom you purchased this appliance. The dealer is listed in the Yellow Pages of your phone directory under "Appliances — Household — Major — Service and Repair."

Dura Safe and Sure Connect are Trademarks of Whirlpool, U.S.A.

Moving dryer to a new location?

Check with a licensed electrician to confirm that supply voltage at new home matches voltage specified on the model/serial rating plate.

Shut off electrical supply to dryer. Unplug power supply cord and tape it securely to dryer. (Or disconnect power supply cable from dryer.)



Slide dryer onto cardboard or hardboard before moving it across the floor to prevent damaging floor covering.

Instrucciones de instalación



IMPORTANTE:

Lea y conserve estas instrucciones

Instalador: Deje las instrucciones de instalación con el propietario.

Propietario: Guarde las instrucciones de instalación para referencia futura.

Para un mejor funcionamiento, instale la secadora de acuerdo con las instrucciones de instalación. No completar la instalación de acuerdo con las instrucciones podría anular la garantía.

Conserve las instrucciones de instalación para uso del inspector de instalaciones eléctricas local.

¿Tiene preguntas sobre su secadora?

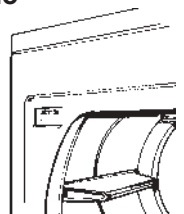
Llame a su distribuidor o a la compañía de servicios autorizada de su localidad.

Quando llame, necesitará el número del modelo y el número de serie de la secadora. Ambos números están en la placa de modelo/serie, la cual se encuentra en la cavidad de la puerta detrás de la puerta de la secadora y al frente de la abertura.

Anote todos los números aquí para tenerlos a mano cuando los necesite.

Modelo No. _____

Serie No. _____



Antes de empezar...

Su seguridad y la seguridad de los demás son muy importantes.

Hemos incluido muchos mensajes importantes de seguridad en este manual y en su electrodoméstico. Lea y obedezca siempre todos los mensajes de seguridad.



Este es el símbolo de alerta de seguridad.

Este símbolo le alerta sobre los peligros potenciales que podrían causarle la muerte o herirle a usted o a otras personas.

Todos los mensajes de seguridad seguirán al símbolo de alerta de seguridad y a la palabra "PELIGRO" o "ADVERTENCIA". Estas palabras significan:

PELIGRO

Podría morir o sufrir graves lesiones si no sigue inmediatamente las instrucciones.

ADVERTENCIA

Podría morir o sufrir graves lesiones si no sigue las instrucciones.

Todos los mensajes de seguridad le indicarán cuál es el peligro potencial, le indicarán cómo reducir las posibilidades de lesionarse y le dirán qué podría ocurrir si no se siguen las instrucciones.

ADVERTENCIA



Peligro de explosión

Mantenga los materiales y vapores inflamables, como la gasolina, alejados de la secadora.

Para instalar la secadora en un garaje, coloque la secadora al menos a 45,7 cm (18 pulg.) sobre el piso.

No seguir estas instrucciones puede ocasionar la muerte, una explosión o un incendio.

Para el debido funcionamiento de la secadora:

El lugar debe proporcionar:

- **Protección contra la intemperie y el agua:** no guarde ni utilice la secadora en un lugar donde estaría expuesta al agua y a la intemperie.
- **Temperatura ambiental superior a los 7°C (45°F):** Si la temperatura es inferior a los 7°C (45°F), los ciclos automáticos podrían no detenerse.
- **Nivel del piso:** La inclinación máxima debajo de toda la secadora no debe ser mayor de 2,5 cm (1 pulgada). Si la inclinación es mayor de 2,5 cm (1 pulgada) instale el Conjunto de Extensión de Patas para Secadora, Parte No. 279810. Si la secadora no está nivelada, la ropa podría no girar debidamente y los ciclos de detección automática podrían no funcionar correctamente.
- **Piso resistente** para resistir el peso de la secadora de 79,4 kg (175 libras).

Es su responsabilidad:

- **Observar todos los códigos y reglamentos aplicables.**
- **Verificar los requisitos del código:** Algunos códigos limitan o no permiten la instalación de las secadoras de ropa en garajes, closets (armarios), casas móviles o rodantes o en dormitorios. Póngase en contacto con el inspector de edificaciones de su localidad.

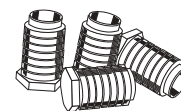
- Cumplir con las especificaciones y dimensiones de instalación.
- Tomar en cuenta los requisitos de espacio para artefactos que se instalen al lado de la secadora.
- Instalar debidamente la secadora.
- Compruebe que tiene todo lo necesario para una instalación correcta. La instalación correcta es su responsabilidad.
- Ponerse en contacto con un instalador calificado para asegurarse de que las instalaciones eléctricas y de gas cumplan con todos los códigos y reglamentos nacionales y locales.

Herramientas que se necesitan para la instalación

- Nivel
- Guantes
- destornillador Phillips #2
- Llave ajustable que se abra 2,5 cm (1 pulg.) (en la ilustración) o llave tubular hexagonal de 2,5 cm (1 pulg.)
- Desarmador de punta plana
- Gafas protectoras
- Tijeras de hojalatero (para instalaciones con nueva salida de aire)
- Pistola y compuesto de masillar (instalación de nueva ventilación)
- Pelador de alambres (instalaciones de alambre directo)

Piezas suministradas para la instalación

Saque el paquete de piezas del tambor de la secadora. Verifique que se hayan incluido todas las piezas.



4 patas niveladoras

Piezas para adquirir:

Consulte los códigos locales y vea los requisitos eléctricos y de ventilación, Paneles A y B, antes de comprar pieza alguna. Determine si necesitará comprar un juego de cordón de suministro de energía o un cable de suministro de energía.

Eléctrico:

Si usa un cordón de suministro de energía:

El cordón de suministro de energía de la secadora debe ser:

- Aprobado por U.L.
- 120/240 voltios mínimo
- 30 amperios
- Tipo SRD o SRDT
- Por lo menos de 4 pies de largo

Los alambres que conectan a la secadora deben terminar en anillo o en horquilla con los extremos hacia arriba.

El contacto debe estar situado a no más de 3 pies del centro posterior y superior de la consola de control.

Si su contacto tiene esta apariencia:	Escoja este cordón de suministro de energía
 <p>contacto para 4 alambres (14-30R)</p>	 <p>cordón de suministro de energía de 4 alambres con terminales en anillo o en horquilla y dispositivo de protector de cables aprobado por U.L.</p>
 <p>contacto para 3 alambres (10-30R)</p>	 <p>cordón de suministro de energía de 3 alambres con terminales en anillo o en horquilla y dispositivo de protector de cables aprobado por U.L.</p>

Si la conexión es por alambre directo:

El cable de suministro de energía debe corresponder al suministro (4 ó 3 alambres) y ser:

- Cable de cobre con armadura flexible o blindaje no metálico (con

alambre de conexión a tierra). Todos los alambres conductores de corriente deben estar aislados. Vea los Paneles D y E.

- ALAMBRE SÓLIDO DE COBRE DE CALIBRE 10 (No use aluminio.)
- por lo menos de 4 pies de largo.

Sistema de salida de aire

! ADVERTENCIA



Peligro de incendio

Utilice un conducto metálico pesado.

No utilice conducto plástico.

No utilice un conducto de lámina metálica.

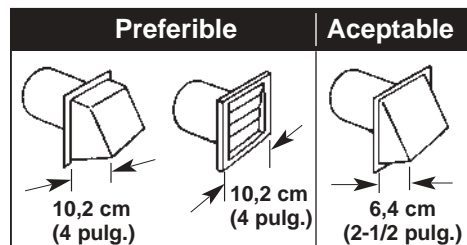
No seguir estas instrucciones puede ocasionar la muerte o un incendio.

Se debe utilizar un conducto de salida de aire metálico y pesado de 102 mm (4 pulgadas) y abrazaderas. Se recomiendan productos de salida de aire Dura Safe™.

Puede adquirir productos de salida de aire Dura Safe de su distribuidor o llamando a Whirlpool Parts & Accessories al número 1-800-442-9991, de lunes a viernes, de 8 a.m. a 9 p.m. (Hora Central estándar), sábado de 9 a.m. a 4:30 p.m. (HCE). Visite nuestro sitio en Internet en la dirección <http://www.whirlpoolappliances.com/accessories>.

Para más información vea la página 11.

Campana exterior de salida de aire



No utilice campanas exteriores de salida de aire con cierres magnéticos.

Las instalaciones en casas móviles o rodantes requieren:

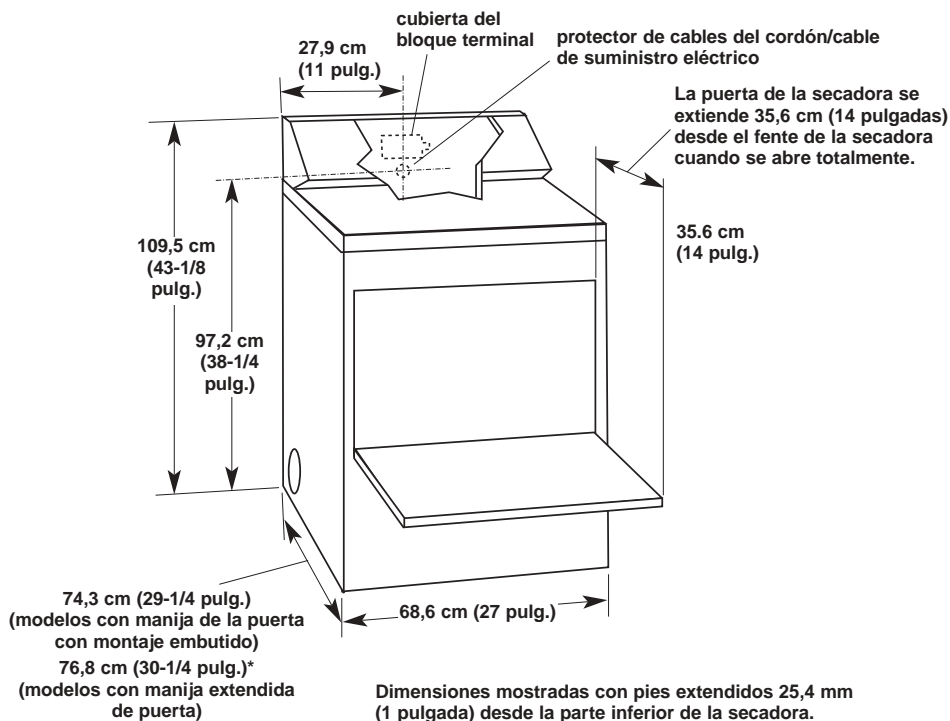
- Conjunto de instalación en casas rodantes, Parte Número 346764*
- Artículos de ferretería para el sistema de escape de metal*

Suelos con inclinaciones mayores de 2,5 cm (1 pulg.):

Requieren Conjunto de extensión de patas para secadoras, Parte No. 279810*.

*Disponible de compra de su distribuidor.

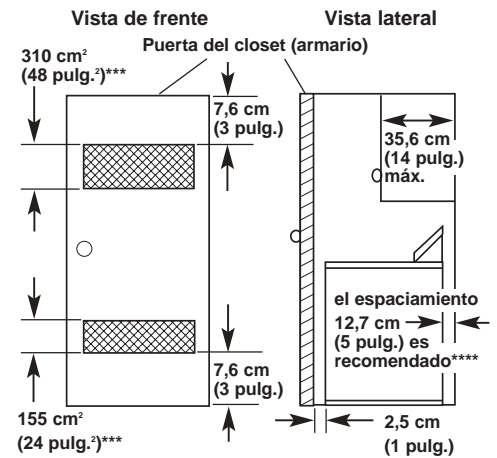
Dimensiones de la secadora



Dimensiones mostradas con pies extendidos 25,4 mm (1 pulgada) desde la parte inferior de la secadora.

*La mayoría de las instalaciones requerirán al menos un espacio de 12,7 cm (5 pulg.) detrás de la secadora para el conducto de salida de aire de la secadora.

Instalación en armario/área confinada



** Puede necesitarse más espacio para molduras de paredes, suelos o puertas.

*** Aberturas mínimas para el aire en la parte superior e inferior de la puerta del closet.

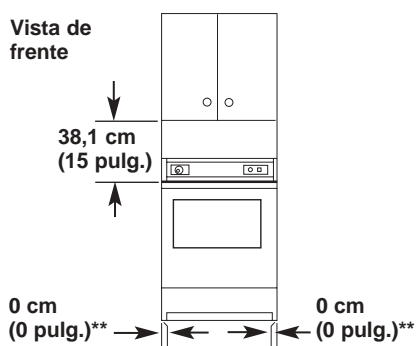
**** Se requiere el espacio recomendado para un codo de salida de aire externo.

Si se instala una puerta para el closet: se requieren aberturas mínimas no obstruidas para asegurar que haya flujo adecuado de aire. Son aceptables las puertas de persiana con aberturas para el aire equivalentes.

Instalación en área empotrada

ADVERTENCIA – Para reducir el riesgo de incendio este artefacto DEBE VENTILARSE HACIA EL EXTERIOR.

- Se debe considerar espacio adicional para facilitar la instalación y el servicio (reparaciones y mantenimiento). También se deben considerar los requisitos de espacio para artefactos que se instalen al lado de la secadora.



** Puede necesitarse más espacio para molduras de paredes, suelos o puertas.

Espacios de la instalación.
Utilice los espacios recomendados para facilitar la instalación.
Recomendados/mínimos
Parte posterior – 12,7 cm/0 cm (5 pulg./0 pulg.)
Costados – 2,5 cm/0 cm (1 pulg./0 pulg.)
Parte superior – 45 cm/38,1 cm (18 pulg./15 pulg.)

Espacios de la instalación.

Utilice los espacios recomendados para facilitar la instalación.

Recomendados/mínimos

Parte posterior – 12,7 cm/0 cm (5 pulg./0 pulg.)

Costados – 2,5 cm/0 cm (1 pulg./0 pulg.)

Parte superior – 45 cm/38,1 cm (18 pulg./15 pulg.)

Parte delantera – 2,5 cm/2,5 cm (1 pulg./1 pulg.)

- Una secadora de ropa produce pelusa combustible y debe ventilarse hacia el exterior.
- Las dimensiones están en centímetros y pulgadas y son las mínimas permisibles.

Requisitos eléctricos

⚠ ADVERTENCIA



Peligro de choque eléctrica

Enchufe la secadora en un tomacorriente puesto a tierra con 3 terminales.

No quite el terminal de conexión a tierra.

No use un adaptador.

No use un cordón de extensión.

No seguir estas instrucciones puede ocasionar la muerte, un incendio o un choque eléctrico.

Si los códigos lo permiten y se utiliza un alambre de puesta a tierra separado, se recomienda que un electricista calificado determine si la trayectoria de la puesta a tierra es adecuada.

Importante: Observe todos los códigos y reglamentos aplicables.

Se requiere un suministro eléctrico de cuatro alambres o tres alambres, monofásico, 120/240 voltios, 60 Hz, CA solamente (o de cuatro alambres o tres alambres, 120/208 voltios si lo especifica la placa de modelo/serie nominal) en un circuito independiente de 30 amperios, con fusibles en ambos lados de la línea. Se recomienda usar un fusible retardador o un cortacircuitos.

Método recomendado de puesta a tierra

Es la responsabilidad personal y obligación del cliente tomar contacto con un electricista calificado para asegurar que la instalación eléctrica es adecuada y que cumple con el Código Eléctrico Nacional, ANSI/NFPA 70 – última edición * y con todos los códigos y reglamentos locales.

Se pueden obtener copias de las normas mencionadas anteriormente de:

* National Fire Protection Association
One Batterymarch Park
Quincy, Massachusetts 02269

Suministro de gas

⚠ ADVERTENCIA



Peligro de incendio

Utilice un conducto metálico pesado.

No utilice conducto plástico.

No utilice un conducto de lámina metálica.

No seguir estas instrucciones puede ocasionar la muerte o un incendio.

- No utilice un conducto flexible no metálico ni campanas exteriores de salida de aire con cierres magnéticos.
- No coloque la salida de aire de la secadora en ningún conducto de gas, chimenea, horno, conducto, conducto de aire frío, pared, cielo raso, espacio cerrado de un edificio, un ático o sótano de pequeña altura ni en ningún conducto de ventilación.
- No instale un conducto flexible en paredes, cielos rasos o pisos encerrados.

Importante: Observe todos los códigos y reglamentos aplicables.

Realice la salida de aire de la secadora a exteriores. La humedad y las pelusas a interiores pueden hacer que:

- Las pelusas se acumulen alrededor de la secadora donde se pueden convertir en combustible para un incendio.
- La humedad dañe maderas, muebles, pintura, papel de empapelar, alfombras, etc.
- Surjan problemas de limpieza y problemas de salud.

Se recomiendan productos de salida de aire Dura Safe™ los cuales puede adquirir de su distribuidor.

Se debe utilizar un conducto de diámetro de 10,2 cm (4 pulg.).

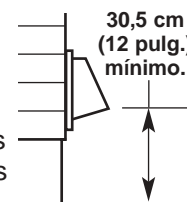
Utilice conducto metálico pesado.

No utilice conductos plásticos o de lámina metálica.

Se recomienda utilizar un conducto metálico rígido para evitar aplastamientos o enroscamientos.

El conducto metálico flexible debe estar totalmente extendido y apoyado cuando la secadora esté en su posición definitiva. Elimine el conducto flexible sobrante para evitar que cuelgue o se retuerza, lo que puede reducir el flujo del aire.

Una campana exterior de salida de aire debe tapan el conducto de salida de aire para evitar que los roedores y los insectos se introduzcan en la casa.



La campana exterior de salida de aire debe estar al menos a 30,5 cm (12 pulg.) del suelo o cualquier objeto que pueda interponerse en la vía de salida de aire (como flores, rocas o arbustos, etc.).

Si utiliza un sistema de salida de aire existente, limpie las pelusas a lo largo de todo el sistema de salida de aire y asegúrese de que la campana exterior de salida de aire no esté taponada con pelusas.

Reemplace cualquier conducto de ventilación de plástico o papel metálico con un conducto rígido o flexible de metal.

Utilice abrazaderas para conductos para sellar todas las juntas. No utilice para asegurar el conducto cinta adhesiva para conductos, tornillos ni otros dispositivos de sujeción que se extiendan hacia el interior del conducto.

Revisión de servicio: La presión posterior en cualquier sistema de salida de aire utilizado no debe ser mayor de 1,5 cm (0,6 pulg.) de columna de agua medida con un manómetro inclinado en el punto donde el conducto de salida de aire se conecta con la secadora.

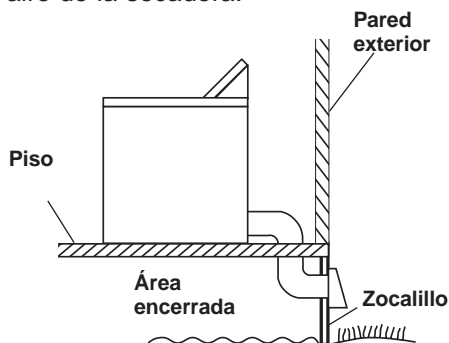
Requisitos de instalación en una casa móvil o rodante

Si los códigos lo permiten, esta secadora puede instalarse en una casa móvil o rodante. La instalación de la secadora debe cumplir con los requisitos del U.S. Manufactured Home Construction and Safety Standard (Norma de construcción y seguridad de casas manufacturadas), Título 24 CFR, Parte 3280 (anteriormente Federal Standard for Mobile Homes Construction and Safety, Título 24, HUD Parte 280) última edición.

La secadora debe fijarse al piso.

Pida a su distribuidor el Conjunto para instalación en casa móvil o rodante, Parte No. 346764. El conjunto incluye los elementos de fijación necesarios e instrucciones de instalación detalladas. También puede solicitar a su distribuidor los elementos metálicos del sistema de salida de aire.

Se deben hacer disposiciones especiales para la introducción del aire del exterior en la secadora cuando se instala en una casa móvil o rodante. El área de cualquier abertura para la introducción de aire del exterior (como una ventana cercana) debe tener al menos el doble del tamaño de la abertura de salida de aire de la secadora.

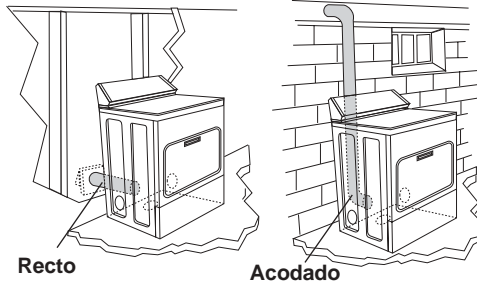


La secadora tiene que tener salida de aire al exterior.

El conducto de salida de aire debe fijarse con seguridad a una parte no combustible de la estructura de la casa móvil o rodante y no debe terminar debajo de la casa móvil o rodante.

Planifique la instalación del conducto de salida de aire

En las instalaciones usuales la salida de aire se realiza por la parte posterior de la secadora.

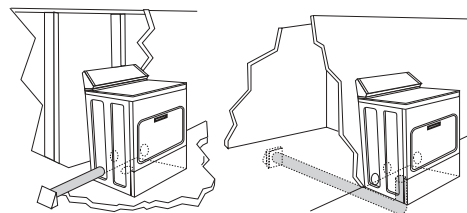


Dirija el conducto

El orificio de salida de aire se encuentra al centro de la parte posterior de la secadora.

El conducto de salida de aire puede dirigirse hacia arriba, hacia abajo, hacia la izquierda, hacia la derecha o recto fuera de la parte posterior de la secadora. Para requisitos de espacio, vea la sección de "Instalación en área empotrada/closet (armario)" en la página 4.

La secadora puede adaptarse para tener salida de aire por el costado derecho o izquierdo o a través de la parte inferior.

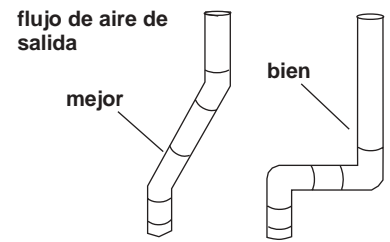


Instalaciones usuales para salida de aire por el costado izquierdo o derecho.

Instalaciones usuales para salida de aire por la parte inferior.

Para adaptar la secadora su distribuidor tiene disponibles los siguientes conjuntos:

- Conjunto de salida de aire No. 279818 (blanco)
- Conjunto de salida de aire No. 279819 (almendra)
- Conjunto de salida de aire No. 279925 (biscuit)
- Conjunto de salida de aire No. 279969 (plateado)

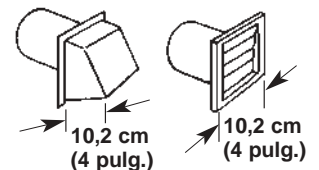


Seleccione la ruta que proporcione la vía más recta y directa hacia el exterior. Planifique la instalación de forma que utilice el menor número de codos y ángulos. Evite hacer ángulos de 90°.

Deje el máximo espacio posible cuando utilice codos o forme ángulos. Doble el conducto gradualmente para no retorcerlo.

Determine la longitud del conducto

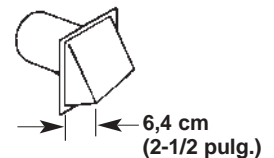
Preferido —



Cuando usted tiene una campana de salida de aire de 10,2 cm (4 pulg.)

Número de codos de 90°	Longitud máxima del conducto metálico de 10,2 cm (4 pulg.) de diámetro	
	Rigido	Flexible (completamente extendido)
0	19,5 m (64 pies)	11,0 m (36 pies)
1	16,5 m (54 pies)	9,4 m (31 pies)
2	13,4 m (44 pies)	8,2 m (27 pies)
3	10,7 m (35 pies)	7,6 m (25 pies)
4	8,2 m (27 pies)	7,0 m (23 pies)

Aceptable —



Cuando usted tiene una campana de salida de aire de 6,4 cm (2-1/2 pulg.)

Número de codos de 90°	Longitud máxima del conducto metálico de 10,2 cm (4 pulg.) de diámetro	
	Rigido	Flexible (completamente extendido)
0	17,7 m (58 pies)	8,5 m (28 pies)
1	14,6 m (48 pies)	7,0 m (23 pies)
2	11,6 m (38 pies)	5,8 m (19 pies)
3	8,8 m (29 pies)	5,2 m (17 pies)
4	6,4 m (21 pies)	4,6 m (15 pies)

La longitud máxima del sistema de salida de aire depende de:

- el tipo de conducto utilizado (rígido o flexible)
- el número de codos utilizados
- si la salida de aire es por el costado o por la parte inferior. La salida de aire por el costado o por la parte inferior agrega un ángulo de 90° dentro de la secadora. Para determinar la máxima longitud de la salida de aire, agregue un ángulo de 90° en la tabla.

1. Vea la tabla de longitudes de conductos de salida de aire que corresponda a su tipo de campana para determinar las longitudes máximas de conductos que puede utilizar.

No utilice conductos más largos que los especificados en las tablas de longitudes de conductos de salida de aire.

Los sistemas de salida de aire más largos de lo especificado:

- Acumulan pelusas creando peligro potencial de incendio.
 - Reducen la vida útil de la secadora.
 - Reducen el funcionamiento, lo que produce tiempos de secado más prolongados y aumenta el consumo de energía.
2. Determine el número de codos que necesitará.
3. En la columna en la que se indica el tipo de conducto de metal que está utilizando (rígido o flexible), busque la longitud máxima de conducto de metal en la misma línea del número de codos.
4. Determine el número requerido de abrazaderas para conductos de diámetro de 10,2 cm (4 pulg.).

La longitud máxima utilizando un conducto rectangular de 5,1 cm x 15,2 cm (2 pulg. x 6 pulg.) con 2 codos y una campana exterior de salida de aire de 6,4 cm (2-1/2 pulg.) es 2,4 m (8 pies).

Para los sistemas de salida de aire no incluidos en las tablas de longitudes (tales como sistemas de conexiones para unidades múltiples, plenos o ventiladores con aporte de energía exterior), consulte el Manual de Servicio, Parte No. 603197. (Para comprar el Manual de Servicio, busque el número para llamar gratis en su Manual de uso y cuidado).

Etapas de la instalación

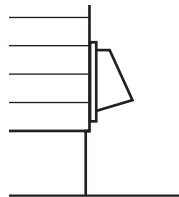
Si está instalando una lavadora y una secadora, instale la secadora primero.

DESPLACE LA SECADORA SOBRE UN PEDAZO DE CARTÓN O MADERA DURA ANTES DE MOVERLA PARA NO DAÑAR EL PISO.

A. Instale el sistema de ventilación (nueva instalación)

Póngase gafas protectoras y guantes.

Instale la campana exterior de salida de aire. Use masilla de calafatear para sellar la abertura de la pared exterior alrededor de la campana de salida de aire.



Conecte el conducto de salida de aire a la campana. (El conducto de salida de aire DEBE calzar dentro de la campana). Asegure el conducto a la campana con una abrazadera de 10,2 cm (4 pulg.).

Dirija el conducto de salida de aire hasta donde está la secadora. Utilice la vía más recta posible. Evite formar ángulos de 90°. Utilice abrazaderas para sellar todas las juntas. Podría necesitar tijeras de hojalatero para cortar el conducto a la longitud requerida.

B. Prepare de la secadora

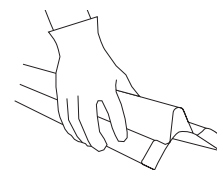
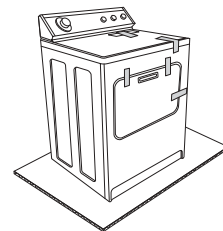
⚠ ADVERTENCIA

Peligro de peso excesivo

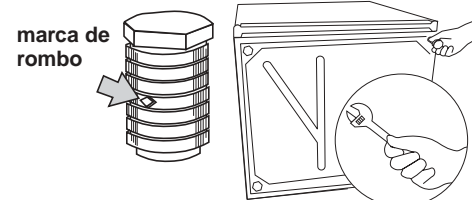
Se necesitan dos o más personas para mover e instalar la secadora.

No seguir esta instrucción puede ocasionar una lesión en la espalda u otra lesión.

Quite la cinta adhesiva del gabinete de la secadora. Abra la puerta de la secadora y quite la cinta adhesiva del tambor de la secadora. (No todos los tambores de secadora tienen cinta adhesiva). Saque la rejilla de secado si está incluida. Gire el tambor de la secadora en sentido contrario al de las manecillas del reloj para asegurarse de que quitó todas las cintas. Limpie el tambor con un paño húmedo para eliminar el polvo.



Tome dos ángulos de cartón de la caja de la secadora y colóquelos en el piso detrás de la secadora. Sujete con firmeza la secadora y apoye con cuidado su parte posterior sobre los ángulos de cartón.



Comience a atornillar las patas en los orificios manualmente. Utilice una llave ajustable o una llave tubular de 2,5 cm (1 pulgada) para terminar de darles vueltas a las patas hasta llegar a la estría con la marca de rombo.

Coloque la secadora en posición vertical sobre un pedazo de cartón o madera dura.

C. Conexión eléctrica

Esta secadora está fabricada con el conductor de puesta a tierra del gabinete conectado al alambre NEUTRO (central) del mazo de alambres en el bloque terminal. Si los códigos locales NO permiten este tipo de conexión, use las instrucciones para "Conexión de 4 alambres".

INSTRUCCIONES PARA LA CONEXIÓN A TIERRA: Este artefacto debe ser conectado a tierra. En el caso de funcionamiento defectuoso o avería, la conexión a tierra reducirá el riesgo de choque eléctrico al proporcionar una vía de menor resistencia para la corriente eléctrica.

Si se usa un cordón de suministro eléctrico, el enchufe debe conectarse en un contacto apropiado, que esté debidamente instalado y conectado a tierra de acuerdo con todos los códigos y ordenanzas locales.

Si se usa una conexión directa de alambre, este artefacto debe ser conectado a un sistema de cableado permanente de metal puesto a tierra, o un conductor para la conexión a tierra del equipo debe ser pasado con los conductores del circuito y conectado al terminal o cable de puesta a tierra del equipo en el artefacto.

ADVERTENCIA – La conexión indebida del conductor para la conexión a tierra del equipo puede ocasionar un riesgo de choque eléctrico. Verifique con un electricista o personal de servicio técnico calificado para asegurarse de que la conexión a tierra del artefacto sea apropiada. No modifique el enchufe del cordón de suministro de energía. Si no encaja en el contacto, contrate un electricista calificado para que instale un contacto apropiado.

Cordón de suministro de energía

! ADVERTENCIA



Peligro de Incendio

Utilice un cordón de suministro eléctrico nuevo de 30 amperios aprobado por U.L.

Use un protector de cables con aprobación U.L.

Desconecte el suministro eléctrico antes de hacer las conexiones eléctricas.

Conecte el alambre neutro (el blanco o el del centro) con el terminal del centro (plateado).

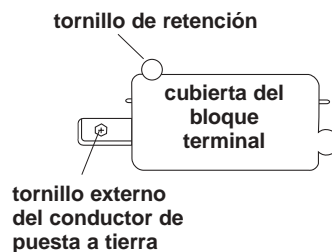
El alambre de tierra (el verde o el desnudo) se debe conectar con el conector verde de tierra.

Conecte los 2 alambres de suministro restantes con los 2 terminales restantes (los dorados).

Apriete firmemente todas las conexiones eléctricas.

No seguir estas instrucciones puede causar la muerte, incendio o choque eléctrico.

1. Desconecte el suministro de energía.



2. Retire el tornillo de retención y la cubierta del bloque terminal.

Alambre directo

! ADVERTENCIA



Peligro de Incendio

Utilice alambres de cobre sólido de calibre 10.

Use un protector de cables con aprobación U.L.

Desconecte el suministro eléctrico antes de hacer las conexiones eléctricas.

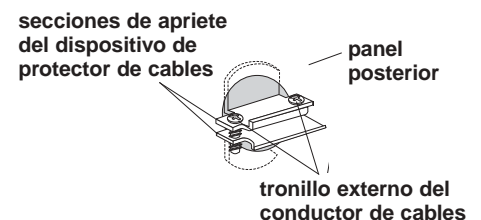
Conecte el alambre neutro (el blanco o el del centro) con el terminal del centro (plateado).

El alambre de tierra (el verde o el desnudo) se debe conectar con el conector verde de tierra.

Conecte los 2 alambres de suministro restantes con los 2 terminales restantes (los dorados).

Apriete firmemente todas las conexiones eléctricas.

No seguir estas instrucciones puede causar la muerte, incendio o choque eléctrico.



3. Ensamble un dispositivo de protector de cable de 3/4" aprobado por U.L. (aparece la marca U.L. en el dispositivo) en el agujero debajo de la abertura del bloque terminal. Apriete los tornillos del dispositivo de protector de cables sólo lo suficiente para sostener juntas las dos secciones de apriete. Instale el cordón/cable de suministro de energía a través del dispositivo de protector de cables.

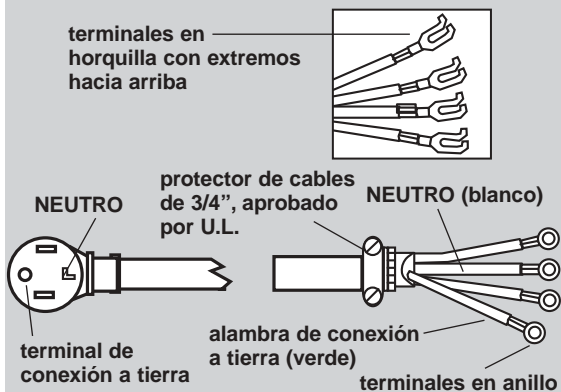
Complete la instalación siguiendo las instrucciones para su tipo de conexión:

- Cuatro alambres (método recomendado)
- Tres alambres (si no se dispone de cuatro alambres)

Conexión de cuatro alambres...



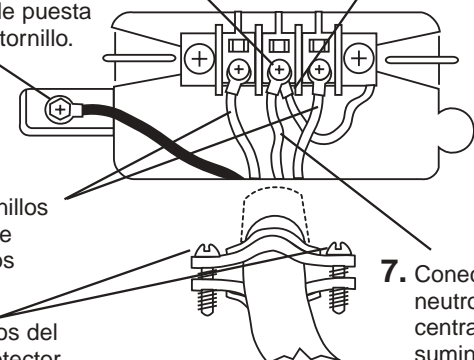
CORDÓN DE SUMINISTRO DE ENERGÍA



El cordón de suministro de energía de cuatro alambres de por lo menos 4 pies de largo debe tener 4 alambres de cobre No. 10 y poder encajarse en un contacto para cuatro alambres NEMA tipo 14-30R. El cuarto alambre (conductor de conexión a tierra) debe identificarse con una cubierta verde y el conductor neutro con una cubierta blanca.

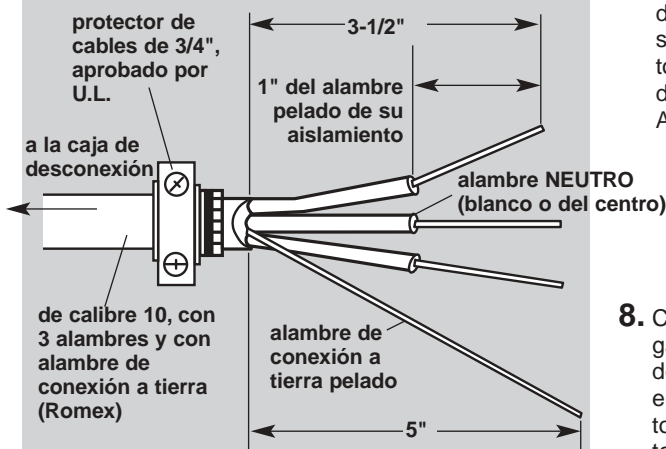
Contacto 14-30R de cuatro alambres (requerido para casas rodantes)

- Retire el tornillo central del bloque terminal.
- Conecte el alambre de conexión a tierra (verde) del cordón de suministro de energía al tornillo del conector externo de puesta a tierra. Apriete el tornillo.
- Retire el alambre de conexión a tierra del artefacto (verde con franjas amarillas) del tornillo externo del conector de puesta a tierra. Fíjelo debajo del tornillo central color plateado del bloque terminal.
- Conecte los otros alambres a los tornillos externos del bloque terminal. Apriete los tornillos.
- Apriete los tornillos del dispositivo de protector de cables.
- Inserte la lengüeta de la cubierta del bloque terminal en la ranura del panel posterior de la secadora. Asegure la cubierta con el tornillo de retención.
- Conecte el alambre neutro (blanco o central) del cordón de suministro de energía debajo del tornillo central del bloque terminal. Apriete el tornillo.



ALAMBRE DIRECTO

Preparación del alambre:



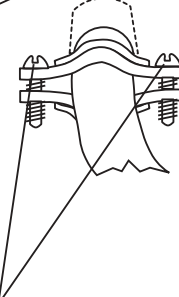
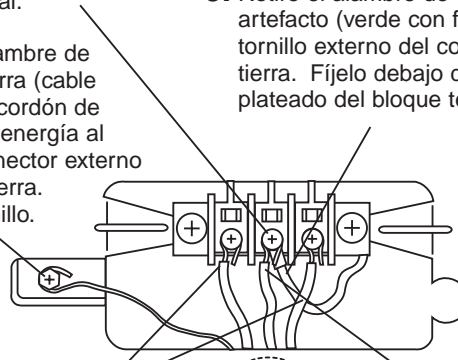
El cable directo debe tener 4 pies de longitud extra para poder mover la secadora si se necesita.

Pele 5 pulgadas de la cubierta externa del extremo del cable. Deje desnudo el alambre de conexión a tierra en 5". Corte 1-1/2" de los restantes 3 alambres. Pele el aislamiento 1" hacia atrás.



Dé forma de gancho a los extremos de los alambres.

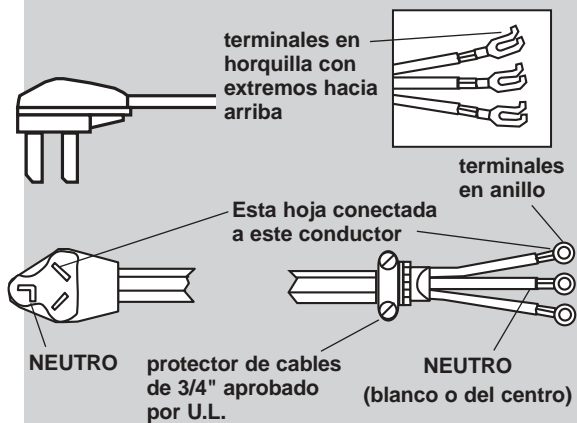
- Retire el tornillo central del bloque terminal.
- Conecte el alambre de conexión a tierra (cable desnudo) del cordón de suministro de energía al tornillo del conector externo de puesta a tierra. Apriete el tornillo.
- Retire el alambre de conexión a tierra del artefacto (verde con franjas amarillas) del tornillo externo del conector de puesta a tierra. Fíjelo debajo del tornillo central color plateado del bloque terminal.
- Coloque los extremos en gancho de los otros alambres del cable de suministro de energía debajo de los tornillos externos del bloque terminal (con el gancho a la derecha). Apriete entre sí los extremos de los ganchos. Apriete los tornillos.
- Apriete los tornillos del dispositivo de protector de cables.
- Inserte la lengüeta de la cubierta del bloque terminal en la ranura del panel posterior de la secadora. Asegure la cubierta con el tornillo de retención.
- Coloque el extremo en gancho del alambre neutro (blanco o central) del cable de suministro de energía debajo del tornillo central del bloque terminal (con el gancho a la derecha). Apriete entre sí los extremos del gancho. Apriete el tornillo.



Conexión de tres alambres...



CORDÓN DE SUMINISTRO DE ENERGÍA

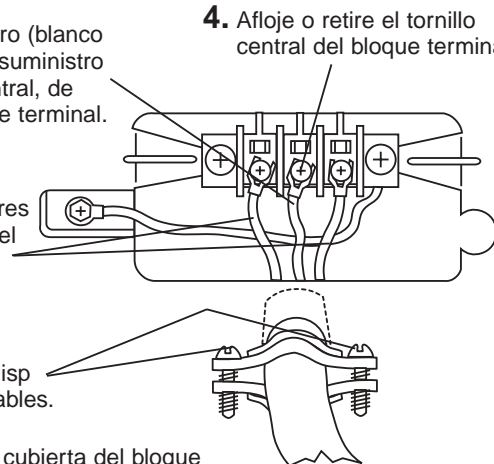


El cordón de suministro de energía de tres alambres de por lo menos 4 pies de largo debe tener 3 alambres de cobre No. 10 y poder encajarse en un contacto para tres alambres NEMA tipo 10-30R.

Contacto 10-30R de tres alambres

Cuando los códigos locales lo permiten conexión del conductor de puesta a tierra del gabinete al alambre neutro:

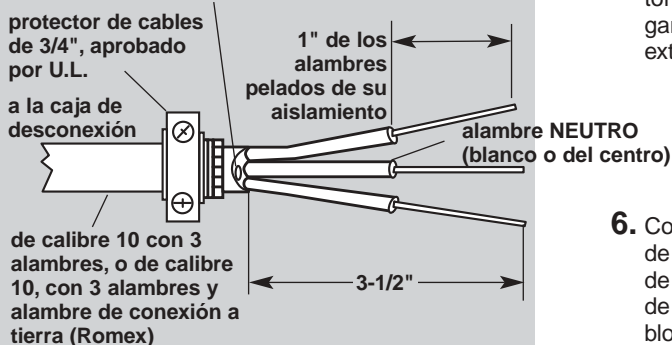
5. Conecte el alambre neutro (blanco o central) del cordón de suministro de energía al tornillo central, de color plateado, del bloque terminal. Apriete el tornillo.
6. Conecte los otros alambres a los tornillos externos del bloque terminal. Apriete los tornillos.
7. Apriete los tornillos del dispositivo de protector de cables.
8. Inserte la lengüeta de la cubierta del bloque terminal en la ranura del panel posterior de la secadora. Asegure la cubierta con el tornillo de retención.



ALAMBRE DIRECTO

Preparación del alambre:

De 3 alambres con alambre de conexión a tierra: alambre pelado cortado más pequeño. No se usa el alambre. La secadora está conectada a tierra a través del cable directo.



El cable directo debe tener 4 pies de longitud extra para poder mover la secadora si se necesita.

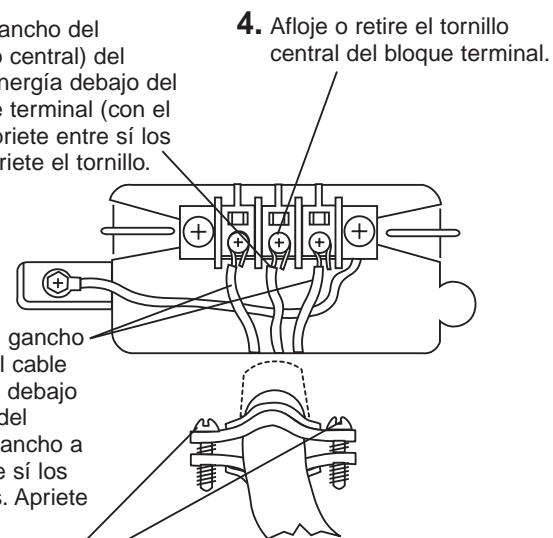
Pele 3-1/2 pulgadas de la cubierta externa del extremo del cable. Pele el aislamiento 1 pulga hacia atrás. Si está usando un cable de 3 alambres con alambre de conexión a tierra, corte el alambre desnudo al ras con la cubierta exterior.

Dé forma de gancho a los extremos de los alambres.



Cuando los códigos locales lo permiten conexión del conductor de puesta a tierra del gabinete al alambre neutro:

5. Coloque el extremo en gancho del alambre neutro (blanco o central) del cable de suministro de energía debajo del tornillo central del bloque terminal (con el gancho a la derecha). Apriete entre sí los extremos del gancho. Apriete el tornillo.
6. Coloque los extremos en gancho de los otros alambres del cable de suministro de energía debajo de los tornillos externos del bloque terminal (con el gancho a la derecha). Apriete entre sí los extremos de los ganchos. Apriete los tornillos.
7. Apriete los tornillos del dispositivo de protector de cables.
8. Inserte la lengüeta de la cubierta del bloque terminal en la ranura del panel posterior de la secadora. Asegure la cubierta con el tornillo de retención.



ALAMBRE DIRECTO O CORDÓN DE SUMINISTRO DE ENERGÍA

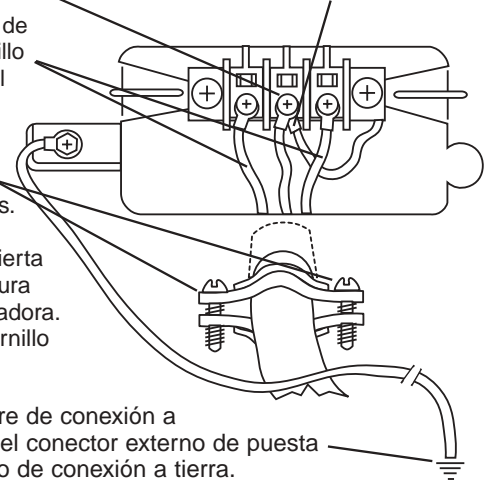
El cordón de suministro de energía de tres alambres debe tener 4 pies de largo y tener 3 alambres de cobre No. 10 y poder encajarse en un contacto para tres alambres NEMA tipo 10-30R.

El cable directo de suministro de energía debe ser preparado como se muestra en "Preparación del alambre" de los pasos de la conexión directa de tres alambres.

Si los códigos locales lo permiten y se usa un alambre de conexión a tierra separada, se recomienda que un electricista calificado determine que la vía de conexión a tierra sea adecuada.

Cuando los códigos locales No lo permiten conexión del conductor de puesta a tierra del gabinete al alambre neutro:

4. Afloje o retire el tornillo central del bloque terminal.
5. Retire el alambre de conexión a tierra del artefacto (verde con franjas amarillas) del tornillo externo del conector de puesta a tierra. Conecte el alambre de puesta a tierra (blanco o central) del cordón/cable de suministro de energía debajo del tornillo central, de color plateado del bloque terminal. Apriete el tornillo.
6. Conecte el alambre neutro (blanco o central) del cordón de suministro de energía al tornillo central, de color plateado, del bloque terminal. Apriete el tornillo.
7. Apriete los tornillos del dispositivo de protector de cables.
8. Inserte la lengüeta de la cubierta del bloque terminal en la ranura del panel posterior de la secadora. Asegure la cubierta con el tornillo de retención.
9. Conecte un alambre de cobre de conexión a tierra separado del tornillo del conector externo de puesta a tierra a un punto adecuado de conexión a tierra.

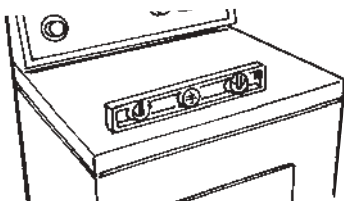


D. Level and exhaust dryer

La secadora debe estar nivelada para reducir el ruido y asegurar su debido funcionamiento.

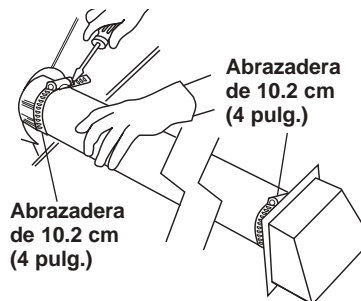
Deslice la secadora sobre un pedazo de cartón o madera dura antes de moverla por el piso para no dañar el piso.

Mueva la secadora cerca de su lugar permanente. Deje suficiente espacio para conectar el conducto de salida de aire. Quite el pedazo de cartón o madera dura que está debajo de la secadora.



Verifique si la secadora está nivelada, colocando un nivel sobre la secadora, primero de lado a lado, luego de adelante para atrás. Si la secadora no está nivelada, ajuste las patas de la secadora hacia arriba o hacia abajo hasta que esté nivelada.

Si las patas no son lo suficientemente largas para nivelar la secadora, pida a su distribuidor el Conjunto de extensión de patas para secadora, Parte No. 279810 (se venden dos patas por conjunto).



Utilizando una abrazadera de 10,2 cm (4 pulg.), conecte el conducto de salida de aire en el orificio de salida de aire de la secadora. Si está haciendo la conexión en un conducto de salida de aire existente, asegúrese de que el conducto esté limpio.

El conducto de salida de aire de la secadora **debe** calzar sobre el orificio de salida de aire de la secadora y dentro de la campana exterior de salida de aire.

Asegúrese de que el conducto de salida de aire esté fijado a la campana exterior de salida de aire con una abrazadera de 10,2 cm (4 pulg.).

Mueva la secadora a su posición definitiva. No aplaste ni erosque el conducto de salida de aire. Asegúrese de que la secadora esté nivelada.

F. Verifique el funcionamiento

Asegúrese si:

- ✓ no omitió algún paso de la instalación.
- ✓ instaló todas las piezas.
- ✓ instaló debidamente las patas de la secadora.
- ✓ la secadora está nivelada.
- ✓ haya asegurado todas las juntas del ducto de escape con abrazaderas de 4".
- ✓ tiene todas las herramientas con las que comenzó.

Enchufe el cordón de suministro de energía en un contacto conectado a tierra o conecte el alambre directo a un suministro de energía. Encienda el suministro de energía.

Lea completamente el Manual de uso y cuidado para que comprenda el funcionamiento de su nueva secadora. Seleccione un ciclo de calor completo (no el ciclo de aire) y ponga en marcha la secadora. Después de

cinco minutos, abra la puerta de la secadora. Debe sentir calor dentro de la secadora.

Si la secadora no funciona debidamente, verifique lo siguiente:

✓ el cordón eléctrico esté enchufado.

- ✓ los fusibles de la instalación eléctrica de su casa están intactos y bien ajustados y que no se haya disparado ningún disyuntor.
- ✓ la puerta de la secadora está cerrada.

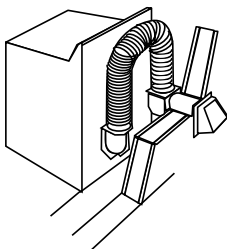
- ✓ los controles se han fijado en una posición de marcha u "On".
- ✓ el botón de inicio ha sido presionado con firmeza.

Si la secadora hace ruido inusual, verifique si está nivelada.

RESISTENTE A LOS APLASTAMIENTOS

Dura Safe™ Conjunto de salida de aire SURE CONNECT™

Los conjuntos facilitan la instalación.



Parte No. 4396028

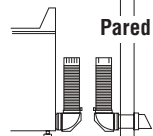
- ◆ Proporciona un espacio de 114 mm (4-1/2 pulg.) entre la secadora y la pared.
- ◆ Accesorios de cierre de resorte.
- ◆ La longitud total del conjunto es de 2,44 m (8 pies).
- ◆ Se puede incluir un conducto adicional entre las secciones para recorridos más largos.

El Conjunto contiene:

- 2 secciones de conducto de 1,22 m (4 pies) con codos cerrados adheridos.
- 1 placa de pared para instalaciones en espacios estrechos.
- 2 abrazaderas de 102 mm (4 pulg.)

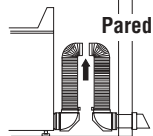
"Tan fácil como contar 1, 2, 3"

Secadora



Paso 1
Una con abrazadera un codo/sección de conducto a la pared y otro a la secadora.

Secadora



Paso 2
Extienda el conducto hacia arriba, casi hasta la parte superior de la secadora, luego empuje la secadora en la pared.

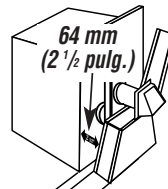


Paso 3
Desde la parte superior, una las dos secciones de conducto.

Dura Safe y Sure Connect son marcas de fábrica de Whirlpool, USA

Periscopios para instalaciones acodadas e instalaciones estrechas.

- ◆ Proporciona un espacio de 64 mm (2-1/2 pulg.) entre la secadora y la pared.
- ◆ Ideales para instalaciones en un closet (armario).
- ◆ Los periscopios de 0-45,7 cm (0-18 pulg.), 45,7-73,7 cm (18-29 pulg.) o 73,7-127 cm (29-50 pulg.) incluyen un accesorio macho de cierre de resorte, un collar de banda de tracción extragrande y una abrazadera

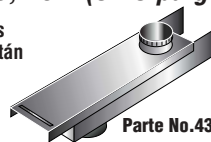


0-45,7 cm (0-18 pulg.)
Pieza No. 4396037

45,7 cm-73,7 cm (18-29 pulg.)
Pieza No. 4396011
73,7-127 cm (29-50 pulg.)
Pieza No. 4396014

Periscopio de 0-45,7 cm (0-18 pulg.)

- ◆ Utilícelo cuando las bocas de salida se solapan o están acodadas.
- ◆ El exceso de longitud puede recortarse.



Parte No. 4396037

Periscopios de 45,7-73,7 cm (18-29 pulg.) y 73,7-127 cm (29-50 pulg.)

- ◆ Collar giratorio conexión en la pared
- ◆ Secciones de extensión
- ◆ Bordes biselados permiten la instalación en los rincones

Secciones separadas, los accesorios pueden orientarse en el mismo sentido o en sentidos opuestas

Collar giratorio

Abrazadera de banda extragrande para conectar a la secadora

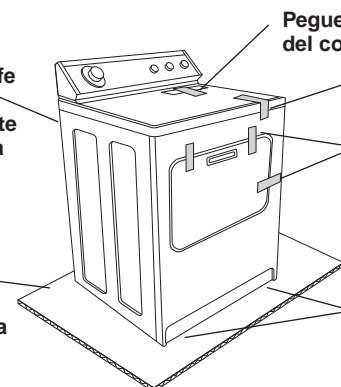
45,7-73,7 cm (18-29 pulg.) Parte No. 4396011
73,7-127 cm (29-50 pulg.) Parte No. 4396014

¿Va a trasladar de lugar la secadora?

Consulte con un electricista calificado para confirmar que el voltaje del suministro en su nuevo hogar iguala al voltaje especificado en la placa de modelo/serie nominal.

Desconecte el suministro de energía a la secadora. Desenchufe el cordón eléctrico y fíjelo con cinta a la secadora. (O desconecte el cable de suministro de energía de la secadora).

Deslice la secadora sobre un pedazo de cartón o madera dura antes de moverla por el piso para no dañar el acabado de este.



Pegue con cinta adhesiva la tapa del colector de pelusa al gabinete

Fije con cinta la parte superior en el gabinete.

Fije con cinta la puerta en el panel delantero.

Gire las patas niveladoras totalmente hacia adentro.

Pieza No. 8535840

© 2002 Whirlpool Corporation

Benton Harbor, Michigan 49022, U.S.A.

Impreso en EE.UU.

Free Manuals Download Website

<http://myh66.com>

<http://usermanuals.us>

<http://www.somanuals.com>

<http://www.4manuals.cc>

<http://www.manual-lib.com>

<http://www.404manual.com>

<http://www.luxmanual.com>

<http://aubethermostatmanual.com>

Golf course search by state

<http://golfingnear.com>

Email search by domain

<http://emailbydomain.com>

Auto manuals search

<http://auto.somanuals.com>

TV manuals search

<http://tv.somanuals.com>