



120-VOLT ELECTRIC COMPACT DRYER

Use & Care Guide

For questions about features, operation/performance parts, accessories or service, call: **1-800-253-1301**.

In Canada, call for assistance **1-800-461-5681**, for installation and service, call: **1-800-807-6777**

or visit our website at...

www.whirlpool.com or www.whirlpool.com/canada

SÉCHEUSE ÉLECTRIQUE COMPACTE 120 VOLTS

Guide d'utilisation et d'entretien

Pour des questions à propos des caractéristiques, du fonctionnement, de la performance, des pièces, accessoires ou service, composez le **1-800-253-1301**

Au Canada, pour assistance, composez le **1-800-461-5681**, pour installation ou service, le **1-800-807-6777**

ou visitez notre site web à
www.whirlpool.com/canada

Table of Contents/Table des matières 2

TABLE OF CONTENTS

DRYER SAFETY	3
INSTALLATION INSTRUCTIONS	4
Tools and Parts.....	4
Location Requirements.....	4
Electrical Requirements.....	5
Venting Requirements.....	6
Plan Vent System.....	6
Install Vent System.....	7
Install Cord Bracket and Casters.....	8
Connect Vent.....	8
Complete Installation.....	8
DRYER USE	9
Starting Your Dryer.....	9
Stopping and Restarting.....	9
Loading.....	10
Drying, Cycle, and Temperature Tips.....	10
Cycles.....	10
DRYER CARE	11
Cleaning the Dryer Location.....	11
Cleaning the Lint Screen.....	11
Cleaning the Dryer Interior.....	11
Removing Accumulated Lint.....	12
Vacation and Moving Care.....	12
TROUBLESHOOTING	12
ASSISTANCE OR SERVICE	13
WARRANTY	14

TABLE DES MATIÈRES

SÉCURITÉ DE LA SÈCHEUSE	15
INSTRUCTIONS D'INSTALLATION	16
Outillage et pièces nécessaires.....	16
Emplacement d'installation.....	16
Spécifications électriques.....	17
Exigences concernant l'évacuation.....	18
Planification du système d'évacuation.....	19
Installation du conduit d'évacuation.....	20
Installation de la bride du cordon et des roulettes.....	20
Conduit d'évacuation.....	21
Achever l'installation.....	21
UTILISATION DE LA SÈCHEUSE	22
Mise en marche de la sècheuse.....	22
Arrêt et remise en marche.....	22
Chargement.....	23
Conseils pour séchage, programmes et température.....	23
Programmes.....	23
ENTRETIEN DE LA SÈCHEUSE	24
Nettoyage de l'emplacement de la sècheuse.....	24
Nettoyage du filtre à charpie.....	24
Nettoyage de l'intérieur de la sècheuse.....	24
Enlever la charpie accumulée.....	25
Précautions à prendre pour les vacances et avant un déménagement.....	25
DÉPANNAGE	25
ASSISTANCE OU SERVICE	27
GARANTIE	28



DRYER SAFETY

Your safety and the safety of others are very important.

We have provided many important safety messages in this manual and on your appliance. Always read and obey all safety messages.



This is the safety alert symbol.

This symbol alerts you to potential hazards that can kill or hurt you and others.

All safety messages will follow the safety alert symbol and either the word "DANGER" or "WARNING."

These words mean:

⚠ DANGER

You can be killed or seriously injured if you don't immediately follow instructions.

⚠ WARNING

You can be killed or seriously injured if you don't follow instructions.

All safety messages will tell you what the potential hazard is, tell you how to reduce the chance of injury, and tell you what can happen if the instructions are not followed.

IMPORTANT SAFETY INSTRUCTIONS

WARNING: To reduce the risk of fire, electric shock, or injury to persons when using the dryer, follow basic precautions, including the following:

- Read all instructions before using the dryer.
- Do not place items exposed to cooking oils in your dryer. Items contaminated with cooking oils may contribute to a chemical reaction that could cause a load to catch fire.
- Do not dry articles that have been previously cleaned in, washed in, soaked in, or spotted with gasoline, dry-cleaning solvents, other flammable, or explosive substances as they give off vapors that could ignite or explode.
- Do not allow children to play on or in the dryer. Close supervision of children is necessary when the dryer is used near children.
- Before the dryer is removed from service or discarded, remove the door to the drying compartment.
- Do not reach into the dryer if the drum is moving.
- Do not install or store the dryer where it will be exposed to the weather.
- Do not tamper with controls.
- Do not repair or replace any part of the dryer or attempt any servicing unless specifically recommended in this Use and Care Guide or in published user-repair instructions that you understand and have the skills to carry out.
- Do not use fabric softeners or products to eliminate static unless recommended by the manufacturer of the fabric softener or product.
- Do not use heat to dry articles containing foam rubber or similarly textured rubber-like materials.
- Clean lint screen before or after each load.
- Keep area around the exhaust opening and adjacent surrounding areas free from the accumulation of lint, dust, and dirt.
- The interior of the dryer and exhaust vent should be cleaned periodically by qualified service personnel.
- See installation instructions for grounding requirements.

SAVE THESE INSTRUCTIONS

INSTALLATION INSTRUCTIONS

Tools and Parts

Tools needed

Gather the required tools and parts before starting installation. Read and follow the safety instructions provided with any tools listed here.

- Flat-blade screwdriver
- Level
- Adjustable wrench
- Vent clamps
- Caulking gun and compound (for installing new exhaust vent)
- Tin snips (new vent installations)

Parts supplied

Remove parts package from the dryer drum. Check that all parts listed are included.

- 1 - Cycle Control (timer) knob
- 1 - Push to Start button
- 4 - casters
- 2 - cord brackets
- 2 - screws

Parts needed

Check local codes, existing electrical supply and venting, and see "Venting Requirements" and "Electrical Requirements" before purchasing parts.

- Mobile home installations require metal exhaust system hardware
- Permanent installations require 4 dryer feet

For ordering information, please reference the "Assistance or Service" section of this manual. You can also contact the dealer from whom you purchased your dryer.

Location Requirements

! WARNING



Explosion Hazard

Keep flammable materials and vapors, such as gasoline, away from dryer.

Place dryer at least 18 inches (46 cm) above the floor for a garage installation.

Failure to do so can result in death, explosion, or fire.

You will need

- A location that allows for proper exhaust installation. See "Venting Requirements."
- A 120-volt, 60-hz., AC-only, 15- or 20-amp circuit.

- A grounded electrical outlet located within 2 ft (61 cm) of either side of the dryer. See "Electrical Requirements."
- A sturdy floor to support the dryer weight (dryer and load) of 115 lbs (52 kg). The combined weight of a companion appliance should also be considered.
- A level floor with a maximum slope of 1" (2.5 cm) under entire dryer.

Do not operate your dryer at temperatures below 45°F (7°C). At lower temperatures, the dryer might not shut off at the end of an automatic cycle. Drying times can be extended.

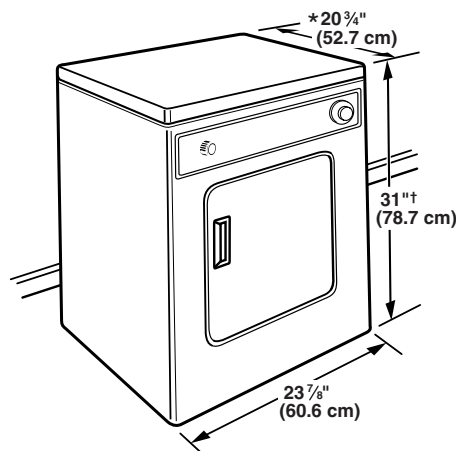
The dryer must not be installed or stored in an area where it will be exposed to water and/or weather.

Check code requirements. Some codes limit, or do not permit, installation of the dryer in garages, closets, mobile homes, or sleeping quarters. Contact your local building inspector.

Installation Clearances

The location must be large enough to allow the dryer door to open fully.

Dryer Dimensions



†Height with caster is 32½" (82.6 cm)

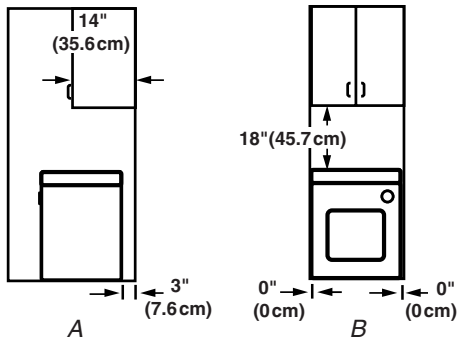
*Most installations require a minimum 5½" (14.0 cm) clearance behind the dryer for the exhaust vent with elbows. See "Venting Requirements."

Minimum installation spacing for recessed area and closet installation

The following dimensions shown are for the minimum spacing allowed when the unit is to be operated with, or without, the Stack Stand Kit. To purchase a Stack Stand Kit, see "Assistance or Service."

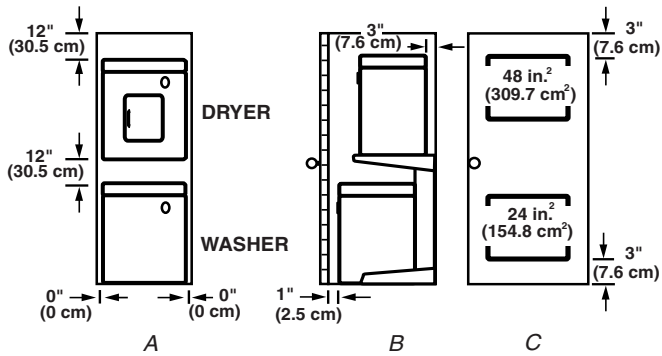
- Additional spacing should be considered for ease of installation and servicing.
- Additional clearances might be required for wall, door, and floor moldings.
- Additional spacing of 1" (2.5 cm) on all sides of the dryer is recommended to reduce noise transfer.
- For closet installation with a door, minimum ventilation openings in the top and bottom of the door are required. Louvered doors with equivalent ventilation openings are acceptable.
- Companion appliance spacing should also be considered.

Recessed or closet installation - Dryer only



A. Side view - closet or confined area
B. Recessed area

Recessed or closet installation - Stacked



A. Recessed area
B. Side view - closet or confined area
C. Closet door with vents

Mobile Home - Additional Location Requirements

This dryer is suitable for mobile home installations. The installation must conform to the Manufactured Home Construction and Safety Standard, Title 24 CFR, Part 3280 (formerly the Federal Standard for Mobile Home Construction and Safety, Title 245, HUD Part 280) or Standard CAN/CSA-Z240 MH.

Mobile home installations require:

- Metal exhaust system hardware which is available for purchase from your dealer.
- Special provisions must be made in mobile homes to introduce outside air into the dryer. The opening (such as a nearby window) should be at least twice as large as the dryer exhaust opening.

Electrical Requirements

⚠ WARNING



Electrical Shock Hazard

Plug into a grounded 3 prong outlet.

Do not remove ground prong.

Do not use an adapter.

Do not use an extension cord.

Failure to follow these instructions can result in death, fire, or electrical shock.

- A 120-volt, 60-Hz., AC-only, 15- or 20-amp fused electrical supply is required.
- A time-delay fuse or circuit breaker is recommended. Be sure fuse or circuit breaker matches the rating of your line.
- Use a separate circuit serving only your dryer.
- Do not use an extension cord.

GROUNDING INSTRUCTIONS

- For a grounded, cord-connected dryer:
This dryer must be grounded. In the event of malfunction or breakdown, grounding will reduce the risk of electric shock by providing a path of least resistance for electric current. This dryer is equipped with a cord having an equipment-grounding conductor and a grounding plug. The plug must be plugged into an appropriate outlet that is properly installed and grounded in accordance with all local codes and ordinances.

WARNING: Improper connection of the equipment-grounding conductor can result in a risk of electric shock. Check with a qualified electrician or service representative or personnel if you are in doubt as to whether the dryer is properly grounded. Do not modify the plug provided with the dryer: if it will not fit the outlet, have a proper outlet installed by a qualified electrician.

SAVE THESE INSTRUCTIONS

Venting Requirements

⚠️ WARNING



Fire Hazard

Use a heavy metal vent.

Do not use a plastic vent.

Do not use a metal foil vent.

Failure to follow these instructions can result in death or fire.

WARNING: To reduce the risk of fire, this dryer MUST BE EXHAUSTED OUTDOORS.

4" (10.2 cm) heavy metal exhaust vent and clamps must be used. DURASAFE™ vent products are recommended.

DURASAFE™ vent products can be purchased from your dealer or by calling Whirlpool Parts and Accessories. For more information, see the "Assistance or Service" section of this manual.

- The dryer exhaust must not be connected into any gas vent, chimney, wall, ceiling, or a concealed space of a building.
- Do not use an exhaust hood with a magnetic latch.
- Do not install flexible metal vent in enclosed walls, ceilings or floors.
- Use clamps to seal all joints. Exhaust vent must not be connected or secured with screws or other fastening devices which extend into the interior of the duct. Do not use duct tape.

IMPORTANT: Observe all governing codes and ordinances.

Improper venting can cause moisture and lint to collect indoors, which may result in:

- Moisture damage to woodwork, furniture, paint, wallpaper, carpets, etc.
- Housecleaning problems and health problems.

Use a heavy metal vent. Do not use plastic or metal foil vent. Rigid metal vent is recommended to prevent crushing and kinking.

Flexible metal vent must be fully extended and supported when the dryer is in its final position. Remove excess flexible metal vent to avoid sagging and kinking that may result in reduced airflow.

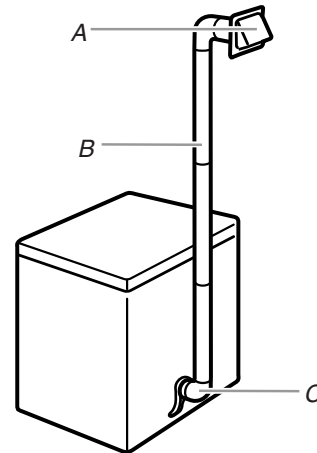
An exhaust hood should cap the vent to prevent rodents and insects from entering the home.

Exhaust hood must be at least 12" (30.5 cm) from the ground or any object that may be in the path of the exhaust (such as flowers, rocks or bushes, etc.).

If using an existing vent system, clean lint from the entire length of the system and make sure exhaust hood is not plugged with lint. Replace any plastic or metal foil vent with rigid metal or flexible metal vent.

Plan Vent System

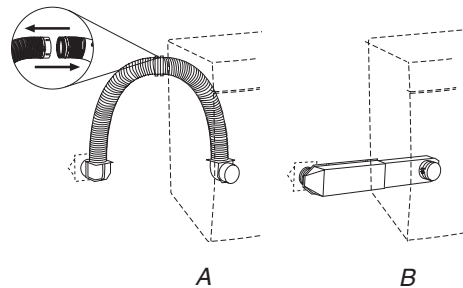
Typical installations vent the dryer from the rear of the dryer.



A. Exhaust hood
B. Flexible metal vent or rigid metal vent
C. Elbow

Alternate installations for close clearances

Venting systems come in many varieties. Select the type best for your installation. Two close-clearance installations are shown. Refer to the manufacturer's instructions provided with the vent system.



A. Over-The-Top installation (also available with one offset elbow)
B. Periscope installation

NOTE: The following kits for close clearance alternate installations are available for purchase. For ordering information see "Assistance or Service."

- Over-The-Top Installation:

Part Number 4396028

- Periscope Installation (for use with dryer vent to wall vent mismatch):

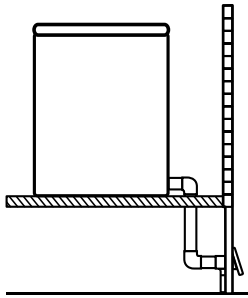
Part Number 4396037 - for mismatch of 0" (0 cm) to 18" (45.72 cm)

Part Number 4396011 - for mismatch of 18" (45.72 cm) to 29" (73.66 cm)

Part Number 4396014 - for mismatch of 29" (73.66 cm) to 50" (127 cm)

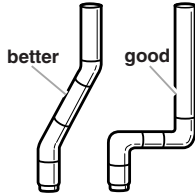
Special provisions for mobile home installations

The exhaust vent must be securely fastened to a noncombustible portion of the mobile home structure and must not terminate beneath the mobile home. Terminate the exhaust vent outside.



Determine vent length

1. Select the route that will provide the straightest and most direct path outdoors. Plan the installation to use the fewest number of elbows and turns. When using elbows or making turns, allow as much room as possible. Bend vent gradually to avoid kinking. Avoid 90° turns when possible.

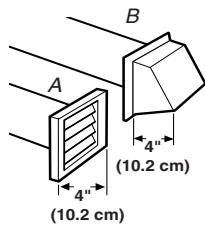


2. Determine vent length.

The maximum length of the exhaust system depends upon:

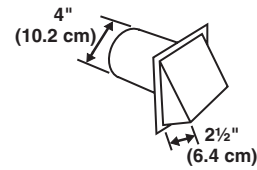
- The type of vent (rigid metal or flexible metal).
- The number of elbows used.
- Type of hood.

Recommended hood styles are shown here.



A. Louvered style
B. Box hood style

The angled hood style (shown following) is acceptable.



See the exhaust vent length chart that matches your hood type for the maximum vent lengths you can use.

Exhaust systems longer than specified will:

- Shorten the life of the dryer.
- Reduce performance, resulting in longer drying times and increased energy usage.

3. Determine the number of elbows you will need.

IMPORTANT: Do not use vent runs longer than specified in the Vent Length Chart.

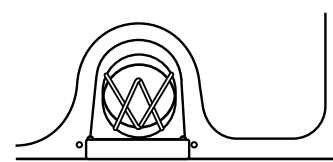
In the column listing the type of metal vent you are using (rigid metal or flexible metal), find the maximum length of metal vent on the same line as the number of elbows.

Vent Length Chart

Number of 90° turns or elbows	Type of vent	Box or louvered hoods	Angled hoods
0	Rigid metal	36 ft (11 m)	26 ft (7.9 m)
	Flexible metal	28 ft (8.5 m)	22 ft (6.7 m)
1	Rigid metal	26 ft (7.9 m)	16 ft (4.9 m)
	Flexible metal	18 ft (5.5 m)	12 ft (3.7 m)
2	Rigid metal	16 ft (4.9 m)	6 ft (1.8 m)
	Flexible metal	8 ft (2.8 m)	2 ft (0.6 m)

Install Vent System

1. Before installing the vent system, be sure to remove the wire exhaust guard that is located at the exhaust outlet.



2. Install exhaust hood. Use caulking compound to seal exterior wall opening around exhaust hood.
3. Connect vent to exhaust hood. Vent must fit inside exhaust hood. Secure vent to exhaust hood with 4" (10.2 cm) clamp.
4. Run vent to dryer location. Use the straightest path possible. See "Determine vent length." Avoid 90° turns. Use clamps to seal all joints. Do not use duct tape, screws or other fastening devices that extend into the interior of the vent to secure vent.

Install Cord Bracket and Casters

Do not move dryer into its final position until the following steps have been performed.

! WARNING

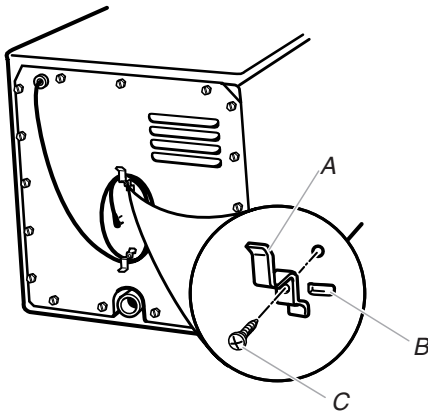
Excessive Weight Hazard

Use two or more people to move and install dryer.

Failure to do so can result in back or other injury.

Install cord bracket

1. Remove tape from the power cord and the rear panel.
2. Insert cord brackets into slotted holes in rear panel and secure with screws provided.

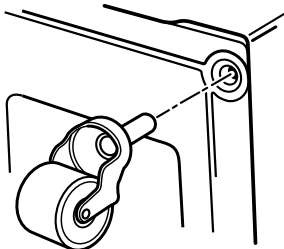


A. Cord bracket
B. Slotted hole
C. Screw

NOTE: Power supply cord may be wrapped around the brackets for storage convenience when dryer is not in use.

Install casters

1. Lay the dryer on its side.
2. Use the carton to prevent damage to the dryer.



3. Screw casters into dryer base at four corners and tighten securely.
4. Set the dryer upright. In doing so, be careful that the dryer does not roll away from you.

NOTE: Permanent installations require 4 dryer feet. See "Assistance or Service" section for ordering information.

Connect Vent

1. Using a 4" (10.2 cm) clamp, connect vent to exhaust outlet in dryer. If connecting to existing vent, make sure the vent is clean. The dryer vent must fit over the dryer exhaust outlet and inside the exhaust hood. Make sure the vent is secured to exhaust hood with a 4" (10.2 cm) clamp.
2. Move dryer into final position. Do not crush or kink vent. Make sure dryer is level.
3. (On gas models) Check to be sure there are no kinks in the flexible gas line.

Complete Installation

1. Check to be sure all parts are now installed. If there is an extra part, go back through the steps to see which step was skipped.
2. Check to be sure you have all of your tools.
3. Dispose of/recycle all packaging materials.
4. Check the dryer's final location. Be sure the vent is not crushed or kinked.
5. Check to be sure the dryer is on a level surface.
6. Plug into a grounded 3 prong outlet. Turn power on.
7. Remove the blue protective film on the console and any tape remaining on the dryer. Remove tape from the lint screen (located on inside back wall of dryer).
8. Read "Dryer Use."
9. Wipe the dryer drum interior thoroughly with a damp cloth to remove any dust.
10. To test the dryer, set the dryer on a full heat cycle (not an air cycle) for 20 minutes and start the dryer.

If the dryer will not start, check the following:

- Controls are set in a running or "On" position.
- Start button has been firmly pushed.
- Dryer is plugged into a grounded 3 prong outlet.
- Electrical supply is connected.
- House fuse is intact and tight, or circuit breaker has not tripped.
- Dryer door is closed.

11. When the dryer has been running for 5 minutes, open the dryer door and feel for heat.

If you do not feel heat, check the following:

- Controls are set on a heated cycle, not an air cycle.

NOTE: You may notice a burning odor when dryer is first heated. This odor is common when the heating element is first used. The odor will go away.

DRYER USE



Starting Your Dryer

⚠ WARNING



Explosion Hazard

Keep flammable materials and vapors, such as gasoline, away from dryer.

Do not dry anything that has ever had anything flammable on it (even after washing).

Failure to follow these instructions can result in death, explosion, or fire.

⚠ WARNING



Fire Hazard

No washer can completely remove oil.

Do not dry anything that has ever had any type of oil on it (including cooking oils).

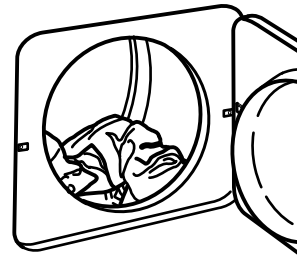
Items containing foam, rubber, or plastic must be dried on a clothesline or by using an Air Cycle.

Failure to follow these instructions can result in death or fire.

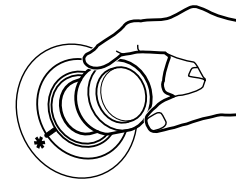
WARNING: To reduce the risk of fire, electric shock, or injury to persons, read the IMPORTANT SAFETY INSTRUCTIONS before operating this appliance.

Before using your dryer, wipe the dryer drum with a damp cloth to remove dust from storing and shipping.

1. Clean the lint screen before or after each cycle. See "Cleaning the Lint Screen."
2. Load clothes loosely into the dryer and close the door. Do not pack the dryer. Allow space for clothes to tumble freely.



3. Turn the Cycle Control knob to the recommended cycle for the type of load being dried. Use the Energy Preferred Automatic Setting (*) to dry most heavyweight and medium weight loads. See "Drying, Cycle, and Temperature Tips."



4. Press the PUSH TO START button.

Stopping and Restarting

You can stop your dryer any time during a cycle.

To stop your dryer

Open the dryer door or turn the Cycle Control knob to OFF.

NOTE: The Cycle Control knob should point to an Off area when the dryer is not in use.

To restart your dryer

1. Close the door.
2. Select a new cycle and temperature (if desired).
3. Press the PUSH TO START button.

Loading

Load clothes loosely into the dryer. Do not pack the dryer. Allow space for clothes to tumble freely. The following chart shows the maximum load you can place in your compact dryer. Expect longer drying times.

Heavy work clothes	2 pair of pants, 3 work shirts
Delicates	1 camisole, 2 slips, 4 undergarments, 1 set of sleepwear, 1 half slip
Towels	9 bath towels; or 6 bath towels, 3 hand towels, 6 washcloths
Mixed Load	2 pillowcases, 1 T-shirt, 2 shirts, 1 pair slacks
Knits	2 slacks, 2 shirts; or 3 dresses
Perm. Press	6 shirts; or 2 double sheets & 2 pillowcases; or 2 singles sheets & 2 pillowcases

Drying, Cycle, and Temperature Tips

Select the correct cycle and temperature for your load. Your dryer tumbles the load without heat during the last few minutes of all cycles to make the load easier to handle.

Drying tips

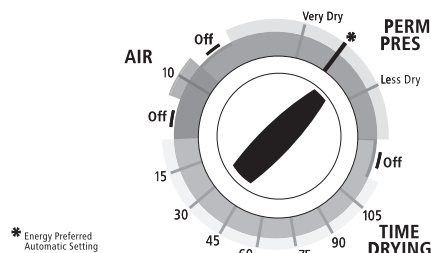
- Follow care label directions when they are available.
- If desired, add a fabric softener sheet. Follow package instructions.
- Remove the load from the dryer as soon as tumbling stops to reduce wrinkling. This is especially important for permanent press, knits, and synthetic fabrics.

Cycle and temperature tips

- Dry most loads using the Energy Preferred Automatic Setting (*).
- Use a no heat (air) setting for rubber, plastic, or heat-sensitive fabrics.
- Line dry bonded or laminated fabrics.

NOTE: If you have questions about drying temperatures for various loads, refer to the care label directions.

Cycles



Cycle Control knob

Perm Press

This automatic cycle shuts off the dryer when the selected dryness is reached. The Cycle Control knob does not move until the load is almost dry. After the cool down, the knob automatically turns to an Off area and tumbling stops.

Dry most loads using the Energy Preferred Automatic Setting (*).

- If the load is drier than you like, select a setting closer to Less the next time you dry a similar load.
- If the load is not as dry as you like, complete drying using the Timed Drying cycle. The next time you dry a similar load, select a setting closer to Very Dry.

NOTE: Drying time with an automatic cycle varies according to the type of fabric and size of load.

Air Cycle

Use this cycle for items that require drying without heat, such as rubber, plastic, and heat-sensitive fabrics. See the chart for examples of items that can be dried using an air cycle.

Type of Load	Time*
Foam rubber—pillows, padded bras, stuffed toys	20 - 30
Plastic—shower curtains, tablecloths	20 - 30
Rubber-backed rugs	40 - 50
Olefin, polypropylene, sheer nylon	10 - 20

*(Minutes). Reset cycle to complete drying, if needed.

When using an air cycle

- Check to see that coverings are securely stitched.
- Shake and fluff pillows by hand periodically during cycle.
- Dry item completely. Foam rubber pillows are slow to dry.

Timed Drying Cycle

Use this cycle to complete drying if items are still damp after the automatic cycle.

Timed Drying is also useful for:

- Heavyweight items and work clothes that require a long drying time.
- Lightweight items, such as lingerie, blouses, and knits that require a short drying time.

For damp dry, turn the Cycle Control knob to 30 minutes or less.

End of Cycle Signal

The dryer sounds a signal to let you know when the cycle is finished. The signal is not adjustable and cannot be turned off. The signal is helpful when you are drying permanent press, synthetics, and other items that should be taken out as soon as the dryer stops.

DRYER CARE

Cleaning the Dryer Location

Keep dryer area clear and free from items that would obstruct the flow of combustion and ventilation air.

! WARNING



Explosion Hazard

Keep flammable materials and vapors, such as gasoline, away from dryer.

Place dryer at least 18 inches (46 cm) above the floor for a garage installation.

Failure to do so can result in death, explosion, or fire.

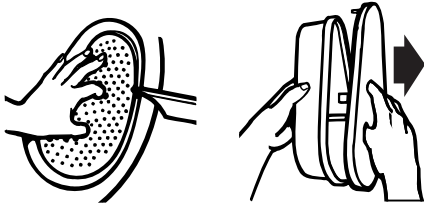
Cleaning the Lint Screen

Every load cleaning

The lint screen is located inside the dryer drum, on the back wall. Clean it before each load. A screen blocked by lint can increase drying time.

To clean

1. Open the door and pull the lint screen straight out.



2. Squeeze body of lint screen lightly while pulling off the cover.
3. Roll lint off the screen with your fingers. Do not rinse or wash screen to remove lint. Wet lint is hard to remove.
4. Replace cover on lint screen body. Push the lint screen firmly back into place and close the door.

IMPORTANT:

- Do not run the dryer with the lint screen loose, damaged, blocked, or missing. Doing so can cause overheating and damage to both the dryer and fabrics.
- Some towels made of synthetic fibers and natural fibers (polyester and cotton blends) may shed more lint than other towels, causing your dryer's lint screen to fill up faster. Be sure to remove lint from the lint screen before and after drying new towels.

As needed cleaning

Laundry detergent and fabric softener residue can build up on the lint screen. This buildup can cause longer drying times for your clothes, or cause the dryer to stop before your load is completely dry. The screen is probably clogged if lint falls off the screen.

Clean the lint screen with a nylon brush every six months, or more frequently if it becomes clogged due to a residue buildup.

To wash

1. Roll lint off the screen with your fingers.
2. Wet both the lint screen cover and body with hot water.
3. Wet a nylon brush with hot water and liquid detergent. Scrub lint screen cover and body with the brush to remove residue buildup.



4. Rinse with hot water.
5. Thoroughly dry lint screen body and cover with a clean towel. Replace in dryer.

Cleaning the Dryer Interior

To clean dryer drum

1. Make a paste with powdered laundry detergent and very warm water.
2. Apply paste to a soft cloth.

OR

Apply a liquid, nonflammable household cleaner to the stained area and rub with a soft cloth until all excess dye is removed.

3. Wipe drum thoroughly with a damp cloth.
4. Tumble a load of clean cloths or towels to dry drum.

NOTE: Garments which contain unstable dyes, such as denim blue jeans or brightly colored cotton items, may discolor the dryer interior. These stains are not harmful to your dryer and will not stain future loads of clothes. Dry unstable dye items inside-out to prevent dye transfer.

Removing Accumulated Lint

From Inside the Dryer Cabinet

Lint should be removed every 2 years, or more often, depending on dryer usage. Cleaning should be done by a qualified person.

From the Exhaust Vent

Lint should be removed every 2 years, or more often, depending on dryer usage.

Vacation and Moving Care

Vacation care

Operate your dryer only when you are at home. If you will be on vacation or not using your dryer for an extended period of time, you should:

1. Unplug dryer or disconnect power.
2. Clean lint screen. See "Cleaning the Lint Screen."

Moving care

1. Unplug the power supply cord.
2. Make sure leveling legs are secure in dryer base.
3. Use masking tape to secure dryer door.

TROUBLESHOOTING

First try the solutions suggested here and possibly avoid the cost of a service call...

Clothes are not drying satisfactorily

- **The compact dryer operates at a lower wattage. Expect longer drying times.**
- **Check the following:**
 - Is the wire exhaust guard removed from the back of the dryer?
 - Is the lint screen clogged with lint?
 - Is the exhaust vent or outside exhaust hood clogged with lint, restricting air movement? Run the dryer for 5-10 minutes. Hold your hand under the outside exhaust hood to check air movement. If you do not feel air movement, clean exhaust system of lint or replace exhaust vent with heavy metal or flexible metal vent. See "Installation Instructions."
 - Is the exhaust vent crushed or kinked? Replace with heavy metal or flexible metal vent. See "Installation Instructions."
 - Has an air dry cycle been selected? Select the right cycle for the types of garments being dried. See "Drying, Cycle, and Temperature Tips."
 - Are fabric softener sheets blocking the grille? Use only one fabric softener sheet and only use it once.
 - Is the automatic cycle ending early? This cycle will end early if dryer load is not contacting the sensor strips. Level the dryer. See "Installation Instructions."
- **Is the dryer located in a room with temperature below 45°F (7°C)?**

Proper operation of dryer cycles requires temperatures above 45°F (7°C).
- **Was a cold rinse water used? Was the load very wet?**

Expect longer drying times with items rinsed in cold water and with items that hold moisture (cottons).
- **Is the load too large and heavy to dry quickly?**

Separate the load to tumble freely.

Dryer will not run

- **Check the following:**
 - Is the power cord plugged into a grounded 3 prong outlet?
 - Has a fuse blown, or has a circuit breaker tripped?
 - Was a regular fuse used? Use a time-delay fuse.
 - Is the dryer door firmly closed?
 - Was the PUSH TO START button firmly pressed?
 - Is a cycle selected?

Unusual sounds

- **Has the dryer had a period of non-use?**

If the dryer hasn't been used for a while, there may be a thumping sound during the first few minutes of operation.

Lint on load

- **Is the lint screen clogged?**

Clean lint screen. Check for air movement.
- **Is the load properly sorted?**

Sort lint givers (towels, chenille) from lint takers (corduroy, synthetics). Also sort by color.
- **Is the load too big or too heavy?**

Dry smaller loads so lint can be carried to the lint screen.
- **Was the load overdried?**

Use correct dryer settings for load type. Overdrying can cause lint-attracting static electricity. See "Drying, Cycle, and Temperature Tips."
- **Was paper or tissue left in pockets?**
- **Is pilling being mistaken for lint?**

Pilling (surface fuzz) is caused by normal wear and laundering.

Stains on load or color change

- **Was dryer fabric softener properly used?**

Add dryer fabric softener sheets at the beginning of the cycle. Fabric softener sheets added to a partially dried load can stain your garments.

- **Were items soiled when placed in the dryer?**
Items should be clean before being dried.
- **Were items properly sorted?**
Sort light colors from dark colors. Sort colorfast items from noncolorfast items.

Items shrinking

- **Was the dryer overloaded?**
Dry smaller loads that can tumble freely.
- **Did the load overdry?**
Check the manufacturer's care label. Match dryer setting to load type. See "Drying, Cycle, and Temperature Tips."

Loads are wrinkled

- **Was the load removed from dryer at the end of the cycle?**
- **Was the dryer overloaded?**
Dry smaller loads that can tumble freely.

- **Did the load overdry?**
Check the manufacturer's care label. Match dryer setting to load type. See "Drying, Cycle, and Temperature Tips."

Odors

- **Have you recently been painting, staining, or varnishing in the area where your dryer is located?**
If so, ventilate the area. When the odors or fumes are gone from the area, rewash and dry the clothing.
- **Is the dryer being used for the first time?**
The new electric heating element may have an odor. The odor will be gone after the first cycle.

Garment damage

- **Check the following:**
Were zippers, snaps, and hooks left open?
Were strings and sashes tied to prevent tangling?
Were care label instructions followed?
Were items damaged before drying?

ASSISTANCE OR SERVICE

Before calling for assistance or service, please check "Troubleshooting." It may save you the cost of a service call. If you still need help, follow the instructions below.

When calling, please know the purchase date and the complete model and serial number of your appliance. This information will help us to better respond to your request.

If you need replacement parts

If you need to order replacement parts, we recommend that you only use FSP® factory specified parts. These parts will fit right and work right because they are made with the same precision used to build every new WHIRLPOOL® appliance. To locate factory specified replacement parts in your area, call our Customer Interaction Center (in the U.S.A.) or your nearest designated service center.

In the U.S.A.

Call the Whirlpool Customer Interaction Center toll free: **1-800-253-1301**.

Our consultants provide assistance with:

- Features and specifications on our full line of appliances.
- Installation information.
- Use and maintenance procedures.
- Accessory and repair parts sales.
- Specialized customer assistance (Spanish speaking, hearing impaired, limited vision, etc.).
- Referrals to local dealers, repair parts distributors, and service companies. Whirlpool designated service technicians are trained to fulfill the product warranty and provide after-warranty service, anywhere in the United States.

To locate the Whirlpool designated service company in your area, you can also look in your telephone directory Yellow Pages.

For further assistance

If you need further assistance, you can write to Whirlpool Corporation with any questions or concerns at:

Whirlpool Corporation
Customer Interaction Center
553 Benson Road
Benton Harbor, MI 49022-2692

Please include a daytime phone number in your correspondence.

Accessories U.S.A.

To order accessories, call the Whirlpool Customer Interaction Center toll free at **1-800-442-9991** and follow the menu prompts. Or visit our website at www.whirlpool.com.

In Canada

Call the Whirlpool Canada Inc. Customer Interaction Center toll free: **1-800-461-5681** Monday to Friday 8:00 a.m. - 6:00 p.m. (EST). Saturday 8:30 a.m. - 4:30 p.m. (EST).

Our consultants provide assistance with:

- Features and specifications on our full line of appliances.
- Referrals to local dealers.

For service in Canada

Call **1-800-807-6777**. Whirlpool Canada Inc. designated service technicians are trained to fulfill the product warranty and provide after-warranty service, anywhere in Canada.

For further assistance

If you need further assistance, you can write to Whirlpool Canada Inc. with any questions or concerns at:

Customer Interaction Center
Whirlpool Canada Inc.
1901 Minnesota Court
Mississauga, Ontario L5N 3A7

Please include a daytime phone number in your correspondence.

WHIRLPOOL® DRYER WARRANTY

ONE-YEAR FULL WARRANTY

For one year from the date of purchase, when this dryer is operated and maintained according to instructions attached to or furnished with the product, Whirlpool Corporation will pay for FSP® replacement parts and repair labor costs to correct defects in materials or workmanship. Service must be provided by a Whirlpool designated service company.

Whirlpool Corporation will not pay for:

1. Service calls to correct the installation of your dryer, including venting. Heavy 4" (10.2 cm) metal exhaust vent must be used. Refer to the venting section of this manual and your Installation Instructions.
 2. Service calls to instruct you how to use your dryer, to replace house fuses or correct house wiring or reset circuit breakers, or to replace owner accessible light bulbs.
 3. Repairs when your dryer is used in other than normal, single-family household use.
 4. Damage resulting from accident, alteration, misuse, abuse, fire, floods, acts of God, improper installation (including, but not limited to, venting with plastic or flexible foil), installation not in accordance with local electrical and plumbing codes, or use of products not approved by Whirlpool Corporation or Whirlpool Canada Inc.
 5. Replacement parts or repair labor costs for units operated outside the United States and Canada.
 6. Pickup and delivery. This product is designed to be repaired in the home.
 7. Repairs to parts or systems resulting from unauthorized modifications made to the appliance.
 8. In Canada, travel or transportation expenses for customers who reside in remote areas.
-

WHIRLPOOL CORPORATION AND WHIRLPOOL CANADA INC. SHALL NOT BE LIABLE FOR INCIDENTAL OR CONSEQUENTIAL DAMAGES.

Some states or provinces do not allow the exclusion or limitation of incidental or consequential damages, so this exclusion or limitation may not apply to you. This warranty gives you specific legal rights and you may also have other rights which vary from state to state or province to province.

Outside the 50 United States and Canada, this warranty does not apply. Contact your authorized Whirlpool dealer to determine if another warranty applies.

If you need service, first see "Troubleshooting." Additional help can be found by checking "Assistance or Service," or by calling our Customer Interaction Center at **1-800-253-1301**, from anywhere in the U.S.A. or write: Whirlpool Corporation, Customer Interaction Center, 553 Benson Road, Benton Harbor, MI 49022-2692. For service in Canada, call Whirlpool Canada Inc. at **1-800-807-6777**. 7/03

Keep this book and your sales slip together for future reference. You must provide proof of purchase or installation date for in-warranty service.

Write down the following information about your dryer to better help you obtain assistance or service if you ever need it. You will need to know your complete model number and serial number. You can find this information on the model and serial number label, located on your appliance as shown in "Parts and Features."

Dealer name _____
Address _____
Phone number _____
Model number _____
Serial number _____
Purchase date _____

SÉCURITÉ DE LA SÈCHEUSE

Votre sécurité et celle des autres est très importante.

Nous donnons de nombreux messages de sécurité importants dans ce manuel et sur votre appareil ménager. Assurez-vous de toujours lire tous les messages de sécurité et de vous y conformer.



Voici le symbole d'alerte de sécurité.

Ce symbole d'alerte de sécurité vous signale les dangers potentiels de décès et de blessures graves à vous et à d'autres.

Tous les messages de sécurité suivront le symbole d'alerte de sécurité et le mot "DANGER" ou "AVERTISSEMENT". Ces mots signifient :

⚠ DANGER

Risque possible de décès ou de blessure grave si vous ne suivez pas immédiatement les instructions.

⚠ AVERTISSEMENT

Risque possible de décès ou de blessure grave si vous ne suivez pas les instructions.

Tous les messages de sécurité vous diront quel est le danger potentiel et vous disent comment réduire le risque de blessure et ce qui peut se produire en cas de non-respect des instructions.

IMPORTANTES INSTRUCTIONS DE SÉCURITÉ

AVERTISSEMENT : Pour réduire le risque d'incendie, de choc électrique ou de blessure lors de l'utilisation de la sècheuse, il convient d'observer certaines précautions élémentaires dont les suivantes :

- Lire toutes les instructions avant d'utiliser la sècheuse.
- Ne pas placer des articles exposés aux huiles de cuisson dans votre sècheuse. Les articles contaminés par des huiles de cuisson peuvent contribuer à une réaction chimique qui pourrait causer à la charge de s'enflammer.
- Ne pas faire sécher dans la machine des articles qui ont déjà été nettoyés, lavés, imbibés, ou tachés d'essence, de solvants pour nettoyage à sec, d'autres substances inflammables, ou de substances explosives puisqu'elles dégagent des vapeurs qui peuvent provoquer un incendie ou une explosion.
- Ne pas permettre à des enfants de jouer sur ou à l'intérieur de la sècheuse. Une surveillance étroite est nécessaire lorsque la sècheuse est utilisée près d'eux.
- Avant d'enlever la sècheuse du service ou la jeter, enlever la porte du compartiment de séchage.
- Ne pas mettre la main dans la sècheuse si le tambour est en mouvement.
- Ne pas installer ni entreposer la sècheuse où elle sera exposée aux intempéries.
- Ne pas jouer avec les commandes.
- Ne pas réparer ni remplacer une pièce de la sècheuse ou essayer d'en faire l'entretien à moins d'une recommandation spécifique dans le guide d'utilisation et d'entretien, ou publiée dans les instructions de réparation par l'utilisateur que vous comprenez et pouvez exécuter avec compétence.
- Ne pas utiliser un produit assouplissant de tissu ou des produits pour éliminer la statique à moins qu'ils ne soient recommandés par le fabricant du produit assouplissant de tissu ou du produit.
- Ne pas utiliser la chaleur pour faire sécher des articles fabriqués avec du caoutchouc mousse ou des matériaux semblables.
- Nettoyer le filtre à charpie avant et après chaque charge.
- Ne pas laisser la charpie, la poussière, ou la saleté s'accumuler autour du système d'évacuation ou autour de l'appareil.
- Un nettoyage périodique de l'intérieur de la sècheuse et du conduit d'évacuation doit être effectué par une personne qualifiée.
- Voir les instructions d'installation pour les exigences de liaison de l'appareil à la terre.

CONSERVEZ CES INSTRUCTIONS

INSTRUCTIONS D'INSTALLATION

Outillage et pièces nécessaires

Outillage requis

Rassembler les outils et pièces nécessaires avant de commencer l'installation. Lire et suivre les instructions fournies avec les outils indiqués ici.

- Tournevis à lame plate
- Niveau
- Clé à mollette
- Clapets d'évacuation
- Pistolet à calfeutrage et composé de calfeutrage (pour l'installation d'un nouveau conduit d'évacuation)
- Cisaille de ferblantier (nouvelles installations d'évacuation)

Pièces fournies

Retirer le sachet de pièces du tambour de la sècheuse. Vérifier que toutes les pièces de la liste sont présentes.

- 1 - bouton de commande de programme (minuterie)
- 1 - bouton de mise en marche
- 4 - roulettes
- 2 - brides du cordon
- 2 - vis

Pièces nécessaires

Consulter les codes locaux, vérifier l'alimentation électrique et le circuit d'évacuation existants, et consulter les sections "Spécifications électriques" et "Exigences concernant l'évacuation" avant d'acheter des pièces.

- Les installations en maison mobile nécessitent du matériel pour système d'évacuation en métal
- Quatre pieds pour sècheuse sont nécessaires pour une installation permanente

Pour commander, veuillez vous référer à la section "Assistance ou service" de ce manuel. Vous pouvez également contacter le marchand chez qui vous avez acheté votre sècheuse.

Emplacement d'installation

AVERTISSEMENT



Risque d'explosion

Garder les matières et les vapeurs inflammables, telle que l'essence, loin de la sècheuse.

Placer la sècheuse au moins 46 cm (18 po) au-dessus du plancher pour une installation dans un garage.

Le non-respect de ces instructions peut causer un décès, une explosion ou un incendie.

Il vous faudra

- Un emplacement qui permet l'installation d'un système d'évacuation approprié. Voir "Exigences concernant l'évacuation".
- L'appareil doit être alimenté uniquement par un circuit de 120 V CA, 60 Hz, 15 ou 20 ampères.
- Une prise électrique avec liaison à la terre située à moins de 2 pi (61 cm) de l'un des côtés de la sècheuse. Voir "Spécifications électriques".
- Un plancher robuste capable de soutenir le poids total de la sècheuse (sècheuse et chargement) de 115 lb (52 kg). Il faut aussi prendre en compte le poids combiné d'un appareil ménager voisin.
- Un plancher de niveau ayant une pente maximale de 1" (2,5 cm) sous l'ensemble de la sècheuse.

Ne pas faire fonctionner la sècheuse à des températures inférieures à 45°F (7°C). À des températures inférieures, la sècheuse risque de ne plus s'arrêter à la fin d'un programme automatique. Ceci risque de prolonger les durées de séchage.

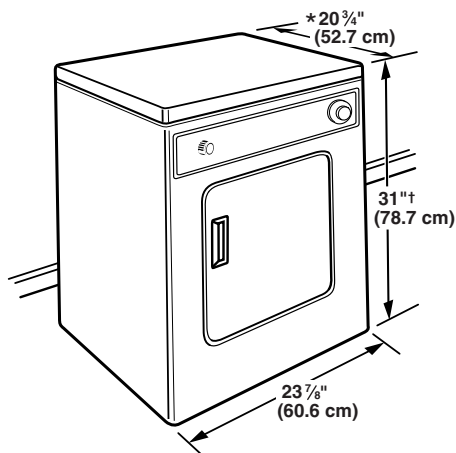
La sècheuse ne doit pas être installée ou remisee dans un endroit où elle sera exposée à l'eau et/ou aux intempéries.

Vérifier les règlements locaux. Certains codes limitent ou n'autorisent pas l'installation des sècheuses dans un garage, un placard, une maison mobile ou une chambre à coucher. Communiquer avec l'inspecteur des bâtiments local.

Espacements d'installation

L'emplacement doit être assez grand pour permettre d'ouvrir complètement la porte de la sècheuse.

Dimensions de la sècheuse



†Hauteur roulettes comprises : 32 1/2" (82,6 cm)

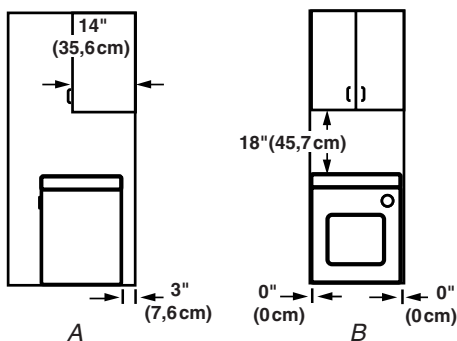
*La plupart des installations requièrent un espace minimum de 5 1/2" (14,0 cm) derrière la sècheuse pour le conduit d'évacuation avec coudes. Voir "Exigences concernant l'évacuation".

Espacement minimum recommandé pour une installation dans un encastrement, ou dans un placard

Les espacements minimums suivants sont requis quand l'appareil doit fonctionner avec ou sans le nécessaire de superposition. Pour acheter le nécessaire de superposition, voir la section "Assistance ou service".

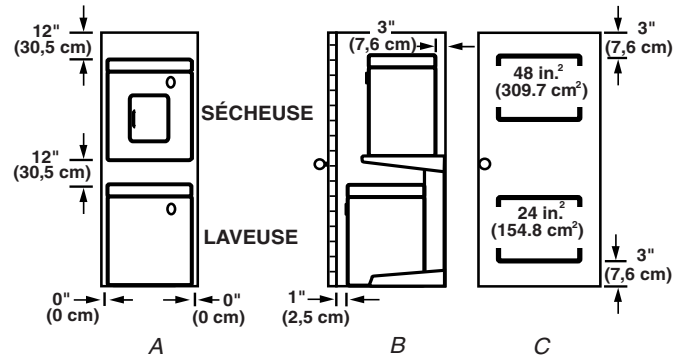
- On prévoira un peu plus d'espace pour faciliter l'installation et l'entretien.
- Un espace supplémentaire peut être requis pour les moulures de porte et de plancher et pour les plinthes.
- Un espace supplémentaire de 1" (2,5 cm) de tous les côtés de la sècheuse est recommandé pour réduire le transfert du bruit.
- Si une porte de placard est installée, on doit prévoir des ouvertures minimums d'entrée d'air en haut et en bas de la porte. Les portes à claire-voie offrant des ouvertures équivalentes de passage de l'air sont acceptables.
- Il faut aussi prendre en compte l'espace requis entre les appareils voisins.

Installation dans un encastrement ou placard - Sècheuse seulement



A. Vue latérale - placard ou endroit exigu
B. Encastrement

Installation dans un encastrement ou placard - Superposition



A. Encastrement
B. Vue latérale - placard ou endroit exigu
C. Porte de placard avec ouvertures d'entrée d'air

Exigences concernant l'installation dans une maison mobile

Cette sècheuse peut être installée dans une maison mobile. L'installation doit être conforme à la norme canadienne sur les maisons préfabriquées CAN/CSA-Z240 MH.

L'installation dans une maison mobile exige :

- Un système d'évacuation en métal qui peut être acheté de votre marchand.
- Il faut prendre des dispositions spéciales pour l'apport d'air de l'extérieur dans la sècheuse dans les maisons mobiles. L'ouverture (telle qu'une fenêtre à proximité) devrait être au moins deux fois plus grande que l'ouverture de décharge de la sècheuse.

Spécifications électriques

⚠ AVERTISSEMENT



Risque de choc électrique

Brancher sur une prise à 3 alvéoles reliée à la terre.

Ne pas enlever la broche de liaison à la terre.

Ne pas utiliser un adaptateur.

Ne pas utiliser un câble de rallonge.

Le non-respect de ces instructions peut causer un décès, un incendie ou un choc électrique.

- L'appareil doit être alimenté uniquement par un circuit de 120 V CA, 60 Hz, 15 ou 20 ampères, protégé par fusible.
- On recommande d'utiliser un fusible ou un disjoncteur temporisé. S'assurer que le fusible ou le disjoncteur corresponde bien au calibre du circuit.

- Utiliser un circuit indépendant uniquement pour la sécheuse.
- Ne pas utiliser un cordon de rallonge.

INSTRUCTIONS DE LIAISON À LA TERRE

- Pour une sécheuse reliée à la terre et connectée par un cordon :

Cette sécheuse doit être reliée à la terre. En cas de mauvais fonctionnement ou de panne, la liaison à la terre réduira le risque de choc électrique en offrant au courant électrique un acheminement d'évacuation de moindre résistance. Cette sécheuse est alimentée par un cordon électrique comportant un conducteur relié à la terre et une fiche de branchement munie d'une broche de liaison à la terre. La fiche doit être branchée sur une prise appropriée qui est bien installée et reliée à la terre conformément à tous les codes et règlements locaux.

AVERTISSEMENT : Le raccordement incorrect de cet appareil au conducteur de liaison à la terre peut susciter un risque de choc électrique. En cas de doute quant à la qualité de liaison à la terre de la sécheuse, consulter un électricien ou un technicien ou un personnel qualifié. Ne pas modifier la fiche de branchement fournie avec la sécheuse; si la fiche ne correspond pas à la configuration de la prise de courant, demander à un électricien qualifié d'installer une prise de courant appropriée.

CONSERVEZ CES INSTRUCTIONS

Exigences concernant l'évacuation

⚠ AVERTISSEMENT



Risque d'incendie

- Utiliser un conduit d'évacuation en métal lourd.**
- Ne pas utiliser un conduit d'évacuation en plastique.**
- Ne pas utiliser un conduit d'évacuation en feuille de métal.**
- Le non-respect de ces instructions peut causer un décès ou un incendie.**

AVERTISSEMENT : Pour réduire le risque d'incendie, cette sécheuse DOIT S'ÉVACUER À L'EXTÉRIEUR.

Utiliser un conduit d'évacuation en métal lourd de 4" (10,2 cm) et des brides. Les produits d'évacuation DURASAFE™ sont recommandés.

Les produits de ventilation DURASAFE™ peuvent être achetés chez votre marchand ou en appelant le service "Pièces et accessoires" de Whirlpool. Pour plus de renseignements, voir la section "Assistance ou service" de ce manuel.

- Le système d'évacuation de la sécheuse ne doit pas être connecté à une évacuation de gaz, une cheminée, un mur, un plafond ou un vide dans le bâtiment.
- Ne pas utiliser un clapet d'évacuation à fermeture magnétique.
- Ne pas installer le conduit flexible dans les cavités fermées des murs, plafonds ou planchers.
- Utiliser des brides de serrage pour sceller tous les joints. Le système d'évacuation ne doit pas être connecté ou fixé avec des vis ou autres dispositifs de serrage qui se prolongent à l'intérieur du conduit. Ne pas utiliser de ruban adhésif.

IMPORTANT : Respecter toutes les prescriptions des codes et règlements en vigueur.

Une mauvaise évacuation de l'air peut causer de l'humidité et une accumulation de charpie à l'intérieur de la maison qui peut causer :

- Dommages par l'humidité aux boiseries, meubles, peinture, papier-peint, tapis, etc.
- Problèmes de nettoyage dans la maison et problèmes de santé.

Utiliser un conduit métallique lourd. Ne pas utiliser un conduit de plastique ou en feuille métallique.

On recommande d'utiliser un conduit métallique rigide pour réduire les risques d'écrasement et de déformation.

Un conduit métallique souple doit être totalement déployé et soutenu lorsque la sécheuse est à sa position finale. Enlever tout excès de conduit souple en métal pour éviter tout affaissement et déformation susceptibles de réduire la capacité d'évacuation.

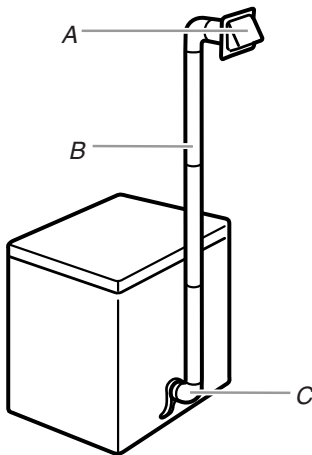
Terminer le conduit d'évacuation par un clapet de décharge pour empêcher les rongeurs et insectes d'entrer dans l'habitation.

Le clapet de décharge doit être situé à au moins 12" (30,5 cm) au-dessus du sol ou de tout autre objet susceptible de se trouver sur le trajet de l'air humide rejeté (par exemple, fleurs, roches ou arbustes, etc.).

Lors de l'utilisation d'un système de décharge existant, nettoyer et éliminer la charpie sur toute la longueur du système et veiller à ce que le clapet de décharge ne soit pas obstrué par une accumulation de charpie. Remplacer tout conduit de plastique ou de feuille métallique par un conduit métallique rigide ou souple.

Planification du système d'évacuation

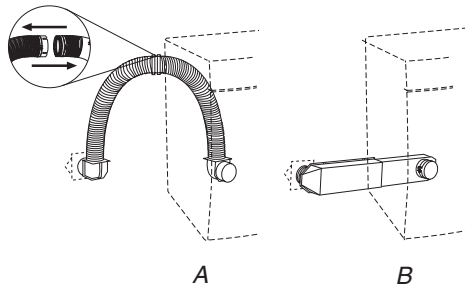
Les installations typiques consistent à acheminer le conduit d'évacuation à l'arrière de la sècheuse.



A. Clapet de décharge
B. Conduit métallique rigide ou souple
C. Coude

Autres installations où le dégagement est réduit

Il existe de nombreux systèmes d'évacuation. Choisir le système qui convient le mieux à l'installation. Deux installations à dégagement réduit sont illustrées. Consulter les instructions du fabricant fournies avec le système d'évacuation.



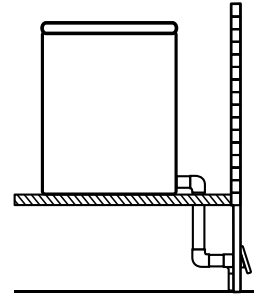
A. Installation au-dessus de la sècheuse (aussi disponible avec un coude décalé)
B. Installation de périscope

REMARQUE : On peut acheter les trousseaux suivantes pour les installations où le dégagement est réduit. Voir la section "Assistance ou Service" pour commander.

- Installation au-dessus de la sècheuse :
Pièce numéro 4396028
- Installation de périscope (pour utilisation en cas de non-concordance de la bouche de décharge de la sècheuse avec la bouche d'évacuation murale)
Pièce numéro 4396037 – Non-concordance de 0" (0 cm) à 18" (45,72 cm)
Pièce numéro 4396011 – Non-concordance de 18" (45,72 cm) à 29" (73,66 cm)
Pièce numéro 4396014 – Non-concordance de 29" (73,66 cm) à 50" (127 cm)

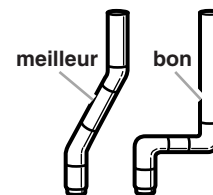
Dispositions spéciales pour les installations dans une maison mobile

Le système d'évacuation doit être solidement fixé à une section non combustible de la structure de la maison mobile et ne doit pas se terminer en dessous de la maison mobile. Faire en sorte que le système d'évacuation se termine à l'extérieur.



Détermination de la longueur du conduit

1. Choisir l'itinéraire d'acheminement vers l'extérieur qui sera le plus direct et le plus rectiligne. Planifier l'installation pour introduire le nombre minimal de coudes et changements de direction. Si des coudes sont utilisés pour les changements de direction, prévoir autant d'espace que possible. Plier le conduit graduellement pour éviter de le déformer. Éviter les changements de direction de 90° si possible.

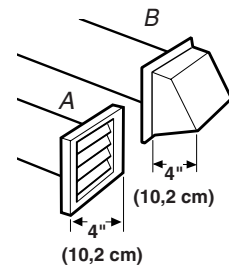


2. Déterminer la longueur du conduit.

La longueur maximale du circuit de décharge dépend de plusieurs facteurs :

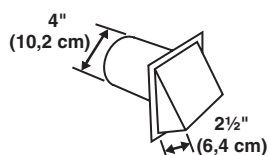
- Le type de conduit (métal rigide ou souple).
- Le nombre de coudes incorporés au circuit.
- Type de clapet.

Les styles de clapet recommandés sont illustrés ci-dessous.



A. Clapet à persiennes
B. Clapet de type boîte

Le clapet incliné (illustré ci-dessous) est acceptable.



Consulter le tableau correspondant au type de clapet de décharge utilisé pour déterminer la longueur maximale de conduit utilisable.

Si la longueur du circuit est supérieure à la valeur spécifiée dans le tableau, on observera :

- Une réduction de la longévité de la sècheuse.
- Une réduction du rendement, avec temps de séchage plus longs et une plus grande consommation d'énergie.

3. Déterminer le nombre de coudes nécessaires.

IMPORTANT : Ne pas installer un conduit de longueur supérieure à la valeur spécifiée dans le tableau.

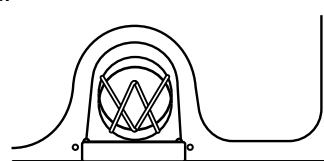
Dans la colonne correspondant au type de conduit métallique utilisé (rigide ou souple), identifier la longueur maximale de conduit métallique sur la ligne correspondant au nombre de coudes.

Tableau de longueur du conduit d'évacuation

Nombre de virages à 90° ou coudes de conduit	Type de conduit	Clapets de type boîte ou à persiennes	Clapets inclinés
0	Métal rigide	36 pi (11 m)	26 pi (7,9 m)
	Métal souple	28 pi (8,5 m)	22 pi (6,7 m)
1	Métal rigide	26 pi (7,9 m)	16 pi (4,9 m)
	Métal souple	18 pi (5,5 m)	12 pi (3,7 m)
2	Métal rigide	16 pi (4,9 m)	6 pi (1,8 m)
	Métal souple	8 pi (2,8 m)	2 pi (0,6 m)

Installation du conduit d'évacuation

1. Avant d'installer le conduit d'évacuation, s'assurer d'enlever le protecteur en fil métallique situé sur la bouche d'évacuation.



2. Installer le clapet d'évacuation. Utiliser du composé de calfeutrage pour sceller l'ouverture murale. À l'extérieur autour du clapet d'évacuation.
3. Raccorder le conduit d'évacuation au clapet. Le conduit doit être inséré à l'intérieur du manchon du clapet. Fixer ensemble le conduit et le clapet avec une bride de 4" (10,2 cm).
4. Acheminer le conduit d'évacuation jusqu'à l'emplacement de la sècheuse. Utiliser l'itinéraire le plus rectiligne possible. Voir la section "Détermination de la longueur du conduit d'évacuation". Éviter les virages à 90°. Utiliser des brides pour sceller tous les joints. Ne pas utiliser de ruban adhésif pour conduit, des vis ou autres dispositifs de fixation qui se prolongent à l'intérieur du conduit pour fixer celui-ci.

Installation de la bride du cordon et des roulettes

Ne pas placer la sècheuse dans sa position finale jusqu'à ce que les étapes suivantes aient été exécutées.

AVERTISSEMENT

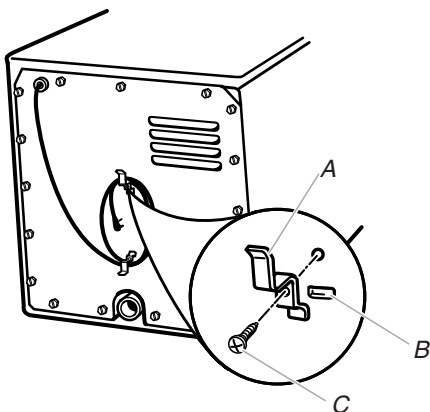
Risque du poids excessif

Utiliser deux ou plus de personnes pour déplacer et installer la sècheuse.

Le non-respect de cette instruction peut causer une blessure au dos ou d'autre blessure.

Installer la bride du cordon

1. Enlever le ruban adhésif du cordon d'alimentation et du panneau arrière.
2. Insérer les brides du cordon dans les fentes du panneau arrière et les fixer avec les vis fournies.

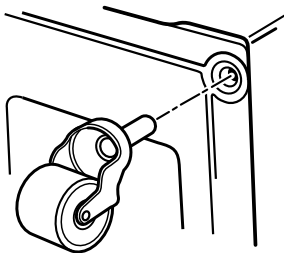


A. Bride du cordon d'alimentation
B. Trou à fentes
C. Vis

REMARQUE : Le cordon d'alimentation peut être enroulé autour des brides pour un rangement pratique quand la sècheuse n'est pas utilisée.

Installer les roulettes

1. Poser la sècheuse sur le côté.
2. Utiliser le carton pour éviter d'endommager la sècheuse.



3. Visser les roulettes aux quatre coins de la base de la sècheuse et bien serrer.
4. Mettre la sècheuse debout. Pour cela, veiller à ce que la sècheuse ne roule pas loin de vous.

REMARQUE : Les installations permanentes exigent 4 pieds de sècheuse. Voir la section "Outils et pièces nécessaires" pour commander.

Conduit d'évacuation

1. À l'aide d'une bride de fixation de 4" (10,2 cm), relier le conduit d'évacuation à la bouche d'évacuation de la sècheuse. Si on utilise un système d'évacuation existant, s'assurer qu'il est propre. Le conduit d'évacuation de la sècheuse doit être fixé sur la bouche d'évacuation de la sècheuse et dans le clapet d'évacuation. S'assurer que le conduit d'évacuation est fixé au clapet d'évacuation à l'aide d'une bride de fixation de 4" (10,2 cm).
2. Placer la sècheuse à l'emplacement final. Ne pas écraser ni déformer le conduit d'évacuation. Vérifier que la sècheuse est de niveau.
3. (Sur les modèles à gaz) Vérifier que le tuyau de gaz flexible n'est pas déformé ou écrasé.

Achever l'installation

1. Vérifier que toutes les pièces sont maintenant installées. S'il reste une pièce, passer en revue les différentes étapes pour découvrir laquelle aurait été oubliée.
2. S'assurer d'avoir récupéré tous les outils.
3. Jeter/recycler tout le matériel d'emballage.
4. Vérifier l'emplacement définitif de la sècheuse. S'assurer que le conduit d'évacuation n'est pas écrasé ou déformé.
5. Vérifier que la sècheuse est bien d'aplomb.
6. Brancher la sècheuse sur une prise reliée à la terre à trois alvéoles. Mettre le courant.
7. Retirer la pellicule de protection bleue sur le panneau de commande et tout ruban qui reste sur la sècheuse. Retirer le ruban du filtre à charpie (situé sur la paroi intérieure arrière de la sècheuse).
8. Lire la section "Utilisation de la sècheuse".
9. Essuyer soigneusement le tambour de la sècheuse avec un chiffon humide pour éliminer toute trace de poussière.
10. Régler la sècheuse pour un programme de séchage complet (pas le programme de séchage à l'air) de 20 minutes et mettre la sècheuse en marche.

Si la sècheuse ne démarre pas, vérifier ce qui suit :

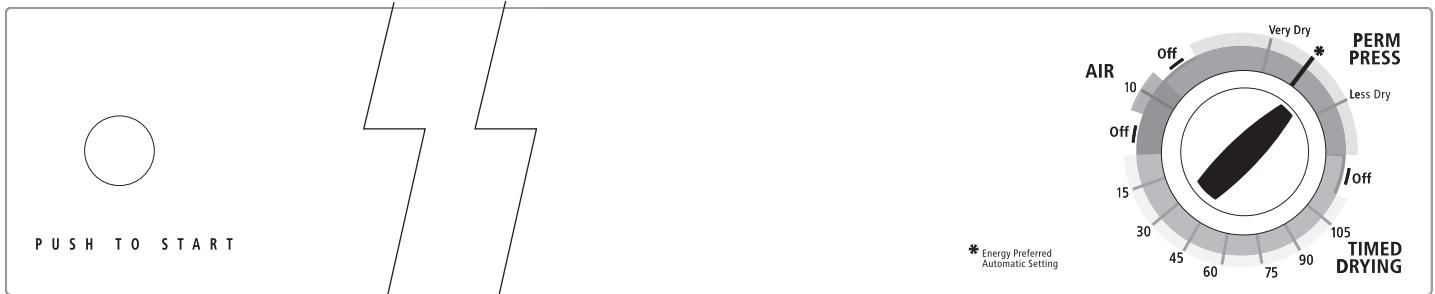
- Les commandes sont réglées à la position de marche ou "On".
 - Le bouton de mise en marche a été enfoncé fermement.
 - La sècheuse est branchée sur une prise reliée à la terre à trois alvéoles.
 - L'alimentation électrique est connectée.
 - Les fusibles sont intacts et serrés, ou le disjoncteur n'est pas déclenché.
 - La porte de la sècheuse est fermée.
11. Après 5 minutes de fonctionnement, ouvrir la porte de la sècheuse et voir s'il y a de la chaleur.

Si la sècheuse n'est pas chaude à l'intérieur, vérifier ce qui suit :

- Les commandes sont réglées sur un programme de séchage avec chaleur, non pas sur un programme de séchage à l'air.

REMARQUE : Il est possible que la sècheuse dégage une odeur de brûlé lors du chauffage initial. Cette odeur est normale lorsque l'élément chauffant est utilisé pour la première fois. L'odeur disparaîtra.

UTILISATION DE LA SÈCHEUSE



Mise en marche de la sècheuse

⚠ AVERTISSEMENT



Risque d'explosion

Garder les matières et les vapeurs inflammables, telle que l'essence, loin de la sècheuse.

Ne pas faire sécher un article qui a déjà été touché par un produit inflammable (même après un lavage).

Le non-respect de ces instructions peut causer un décès, une explosion ou un incendie.

⚠ AVERTISSEMENT



Risque d'incendie

Aucune laveuse ne peut complètement enlever l'huile.

Ne pas faire sécher des articles qui ont été salis par tout genre d'huile (y compris les huiles de cuisson).

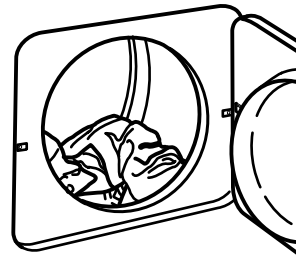
Les articles contenant mousse, caoutchouc ou plastique doivent être séchés sur une corde à linge ou par le programme de séchage à l'air.

Le non-respect de ces instructions peut causer un décès ou un incendie.

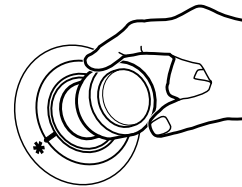
AVERTISSEMENT : Pour réduire le risque d'incendie, de choc électrique ou de blessures corporelles, lire les IMPORTANTES INSTRUCTIONS DE SÉCURITÉ avant de faire fonctionner cet appareil.

Avant d'utiliser votre sècheuse, essuyer le tambour de la sècheuse avec un linge humide pour enlever la poussière accumulée durant l'entreposage et l'expédition.

1. Nettoyer le filtre à charpie avant ou après chaque programme. Voir "Nettoyage du filtre à charpie."
2. Charger les vêtements dans la sècheuse sans les tasser et fermer la porte. Ne pas surcharger la sècheuse. Prévoir suffisamment d'espace pour un culbutage libre des vêtements.



3. Tourner le bouton de commande de programme au programme recommandé pour le type de la charge à faire sécher. Utiliser le réglage automatique éconergique (*) pour faire sécher la plupart des charges lourdes et moyennes. Voir "Conseils pour séchage, programmes et température".



4. Appuyer sur le bouton de PUSH TO START (mise en marche).

Arrêt et remise en marche

On peut arrêter la sècheuse à tout moment au cours d'un programme.

Pour arrêter la sècheuse

Ouvrir la porte de la sècheuse ou tourner le bouton de commande de programme à OFF (arrêt).

REMARQUE : Le bouton de commande de programme doit pointer vers une zone d'arrêt quand la sècheuse n'est pas utilisée.

Pour remettre la sècheuse en marche

1. Fermer la porte.
2. Choisir un nouveau programme et une nouvelle température (si désiré).
3. Appuyer sur le bouton PUSH TO START (mise en marche).

Chargement

Mettre les vêtements dans la sècheuse sans les tasser. Ne pas surcharger la sècheuse. Prévoir suffisamment d'espace pour que les vêtements puissent culbuter librement. Le tableau suivant indique la charge maximale que vous pouvez placer dans votre sècheuse compacte. S'attendre à des temps de séchage plus longs.

Vêtements de travail lourds	2 pantalons, 3 chemises de travail
Déliçats	1 chemisette, 2 combinaisons, 4 sous-vêtements, 1 vêtement de nuit, 1 jupon
Serviettes	9 serviettes de bain ou 6 serviettes de bain, 3 serviettes à main, 6 débarbouillettes
Charge mixte	2 taies d'oreiller, 1 t-shirt, 2 chemises, 1 pantalon
Lainages	2 pantalons, 2 chemises ou 3 robes
Pressage permanent	6 chemises ou 2 draps doubles et 2 taies d'oreiller, ou 2 draps simples et 2 taies d'oreiller

Conseils pour séchage, programmes et température

Choisir le programme et la température corrects pour la charge.

La sècheuse fait culbuter la charge sans chaleur au cours des quelques dernières minutes de tous les programmes, ce qui permet de saisir les charges plus facilement.

Conseils de séchage

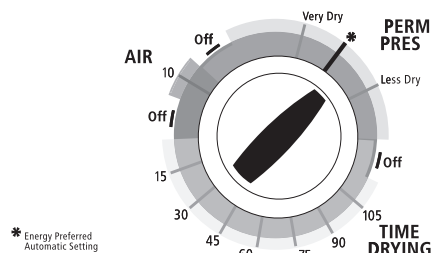
- Suivre les directives sur l'étiquette lorsqu'elles sont disponibles.
- Ajouter une feuille d'assouplissant de tissus, si désiré. Suivre les instructions sur l'emballage.
- Sortir la charge de la sècheuse aussitôt que le culbutage cesse pour réduire le froissement. Cette action est particulièrement importante pour les tissus à pressage permanent, les tricotés et les tissus synthétiques.

Conseils pour les programmes et la température

- Utiliser le réglage automatique Energy Preferred (écoénergique) pour faire sécher la plupart des charges (*).
- Utiliser un réglage sans chaleur (air) pour le caoutchouc, le plastique ou les tissus sensibles à la chaleur.
- Sécher sur une corde à linge les tissus doublés ou laminés.

REMARQUE : Si vous avez des questions au sujet des températures de séchage pour diverses charges, consultez les directives sur l'étiquette du produit.

Programmes



Bouton de commande des programmes

Pressage permanent

Ce programme automatique éteint la sècheuse quand le degré de séchage choisi est atteint. Le bouton de commande de programme ne se déplace pas avant que la charge soit presque sèche. Après la période de (Cool-Down) refroidissement, le bouton tourne automatiquement à (Off) Arrêt et le culbutage cesse.

Utiliser le réglage automatique Energy Preferred (écoénergique) pour faire sécher la plupart des charges(*).

- Si la charge est plus sèche que vous le désirez, choisir un réglage plus proche de moins sec la prochaine fois que vous séchez une charge semblable.
- Si la charge n'est pas aussi sèche que vous le désirez, compléter le séchage en utilisant le programme de séchage minuté. La prochaine fois que vous séchez une charge semblable, choisir un réglage plus proche de plus sec.

REMARQUE : Le temps de séchage avec un programme automatique varie selon le type de tissu et la taille de la charge.

Réglage Air seulement

Utiliser le réglage Air seulement pour les articles qui doivent être séchés sans chaleur, tels que le caoutchouc, le plastique et les tissus sensibles à la chaleur. Ce tableau donne des exemples d'articles qui peuvent être séchés au réglage Air seulement.

Type de charge	Durée*
Caoutchouc mousse - oreillers, soutiens-gorge rembourrés, jouets rembourrés	20 - 30
Plastique - rideaux de douche, nappes	20 - 30
Tapis à endos de caoutchouc	40 - 50
Plastique oléfinique, polypropylène, nylon diaphane	10 - 20

*(Durée en minutes). Régler de nouveau le programme pour compléter le séchage, si nécessaire.

Utilisation du réglage Air seulement

- Vérifier que les recouvrements sont bien cousus.
- Secouer et faire bouffer les oreillers à la main périodiquement pendant le programme.
- Sécher l'article complètement. Les oreillers en caoutchouc mousse sont lents à sécher.

Programme de séchage minuté

Utiliser ce programme pour compléter le séchage si des articles sont encore humides après le programme automatique.

Le séchage minuté est utile aussi pour :

- Articles épais et vêtements de travail qui nécessitent un long temps de séchage.
- Articles légers, tels que lingerie, chemisiers et tricotés qui nécessitent un temps de séchage court.

Pour un séchage humide, régler le bouton de commande de programme sur 30 minutes ou moins.

Signal de fin de programme

La sècheuse émet un signal pour vous avertir quand le programme est terminé. Le signal n'est pas réglable et ne peut pas être éteint. Le signal est utile quand vous séchez des articles de pressage permanent, des synthétiques, et d'autres articles qui devraient être sortis de la sècheuse dès la fin du programme.

ENTRETIEN DE LA SÈCHEUSE

Nettoyage de l'emplacement de la sècheuse

Éviter de laisser des éléments qui pourraient obstruer le débit de combustion et empêcher une bonne ventilation autour de la sècheuse.

⚠ AVERTISSEMENT



Risque d'explosion

Garder les matières et les vapeurs inflammables, telle que l'essence, loin de la sècheuse.

Placer la sècheuse au moins 46 cm (18 po) au-dessus du plancher pour une installation dans un garage.

Le non-respect de ces instructions peut causer un décès, une explosion ou un incendie.

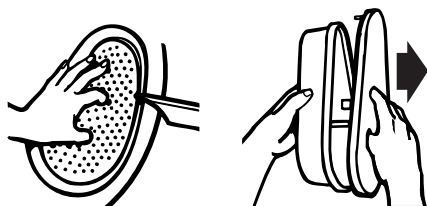
Nettoyage du filtre à charpie

Nettoyage avant chaque charge

Le filtre à charpie est situé à l'intérieur du tambour de la sècheuse, sur la paroi arrière. Le nettoyer avant chaque charge. Un filtre obstrué de charpie peut augmenter le temps de séchage.

Nettoyage

1. Ouvrir la porte et tirer le filtre à charpie tout droit pour le sortir.



2. Presser légèrement le filtre à charpie en tirant le couvercle pour l'enlever.
3. Enlever la charpie du filtre en la roulant avec les doigts. Ne pas rincer ni laver le filtre pour enlever la charpie. La charpie mouillée s'enlève difficilement.
4. Replacer le couvercle sur le filtre à charpie. Remettre le filtre à charpie fermement en place et fermer la porte.

IMPORTANT :

- Ne pas faire fonctionner la sècheuse avec un filtre à charpie délogé, endommagé, bloqué ou manquant. Une telle action peut causer un échauffement ou des dommages pour la sècheuse et les tissus.
- Certaines serviettes fabriquées de fibres synthétiques et de fibres naturelles (mélange de polyester et de coton) peuvent produire plus de charpie que les autres serviettes, de telle sorte que le filtre à charpie de la sècheuse se remplit plus rapidement. Veiller à enlever la charpie du filtre avant et après le séchage des serviettes neuves.

Nettoyage au besoin

Les détergents et les assouplissants de tissus peuvent causer une accumulation de résidus sur le filtre à charpie. Cette accumulation peut augmenter les temps de séchage ou entraîner un arrêt de la sècheuse avant que la charge soit complètement sèche. Si de la charpie tombe du filtre, le filtre est probablement obstrué.

Nettoyer le filtre à charpie avec une brosse en nylon tous les 6 mois ou plus fréquemment s'il devient obstrué par suite d'une accumulation de résidus.

Lavage

1. Enlever la charpie du filtre en la roulant avec les doigts.
2. Mouiller le filtre à charpie et le couvercle du filtre à charpie avec de l'eau chaude.
3. Mouiller une brosse en nylon avec de l'eau chaude et du détergent liquide. Frotter le filtre à charpie et le couvercle du filtre à charpie avec la brosse en nylon pour enlever l'accumulation de résidus.



4. Rincer à l'eau chaude.
5. Bien sécher le filtre à charpie et le couvercle avec une serviette propre. Replacer le filtre dans la sècheuse.

Nettoyage de l'intérieur de la sècheuse

Nettoyage du tambour de la sècheuse

1. Préparer une pâte avec un détergent à lessive en poudre et de l'eau très chaude.
 2. Appliquer la pâte sur un linge doux.
- OU**

Appliquer un nettoyant liquide domestique ininflammable sur la surface tachée et frotter avec un linge doux jusqu'à ce que toute la teinture qui reste soit enlevée.

3. Essuyer complètement le tambour avec un linge humide.

4. Faire culbuter une charge de linge ou de serviettes propres pour sécher le tambour.

REMARQUE : Les vêtements contenant des teintures instables, tels que jeans en denim ou articles en coton de couleur, peuvent décolorer l'intérieur de la sècheuse. Ces taches ne sont pas nuisibles à votre sècheuse et ne tacheront pas les vêtements des charges subséquentes. Faire sécher les articles fabriqués d'une teinture instable en les tournant à l'envers pour empêcher le transfert de la teinture.

Enlever la charpie accumulée

De l'intérieur de la caisse de la sècheuse

Il faut retirer la charpie accumulée dans la caisse de la sècheuse tous les 2 ans ou plus souvent, selon l'utilisation de la sècheuse. Le nettoyage doit être effectué par une personne qualifiée.

Du conduit d'évacuation

Il faut retirer la charpie accumulée tous les 2 ans ou plus souvent, selon l'utilisation de la sècheuse.

Précautions à prendre pour les vacances et avant un déménagement

Période de vacances

On ne doit faire fonctionner la sècheuse que lorsqu'on est présent sur place. Si l'utilisateur doit partir en vacances ou n'utilise pas la sècheuse pendant une période prolongée, il convient d'exécuter les opérations suivantes :

1. Débrancher la sècheuse ou déconnecter la source de courant électrique.
2. Nettoyer le filtre à charpie. Voir "Nettoyage du filtre à charpie".

Précautions à prendre avant un déménagement

1. Débrancher le cordon d'alimentation électrique.
2. Veiller à ce que les pieds de nivellement soient fixés solidement à la base de la sècheuse.
3. Utiliser du ruban masque pour fixer la porte de la sècheuse.

DÉPANNAGE

Essayer d'abord les solutions suggérées ici, ce qui vous évitera peut-être le coût d'une visite de service...

Séchage des vêtements non satisfaisant

- **La sècheuse compacte fonctionne avec un wattage plus faible. S'attendre à des temps de séchage plus longs.**

- **Vérifier ce qui suit :**

A-t-on enlevé le fil de protection d'évacuation de l'arrière de la sècheuse?

Le filtre à charpie est-il obstrué de charpie?

Le conduit d'évacuation ou le clapet d'évacuation à l'extérieur est-il obstrué de charpie, restreignant le mouvement de l'air? Faire fonctionner la sècheuse pendant 5 à 10 minutes. Poser la main sous le clapet d'évacuation à l'extérieur pour vérifier le mouvement de l'air. Si vous ne ressentez pas de l'air en mouvement, nettoyer le système d'évacuation ou remplacer le conduit d'évacuation par un conduit en métal lourd ou flexible. Voir la section "Instructions d'installation".

Le conduit d'évacuation est-il écrasé ou déformé? Le remplacer par un conduit rigide en métal lourd ou par un conduit en métal flexible. Voir la section "Instructions d'installation".

A-t-on sélectionné un programme de séchage à l'air? Choisir le bon programme pour les types de vêtements à sécher. Voir la section "Conseils pour séchage, programmes et température".

Des feuilles d'assouplissant de tissus bloquent-elles la grille de sortie? N'utiliser qu'une seule feuille d'assouplissant et ne l'utiliser qu'une seule fois.

Le programme automatique se termine-t-il trop tôt? Ce programme se terminera tôt si la charge de la sècheuse n'est pas en contact avec les bandes du détecteur. Mettre la sècheuse de niveau. Voir la section "Instructions d'installation".

- **La sècheuse se trouve-t-elle dans une pièce où la température ambiante est inférieure à 45°F (7°C)?**
Le bon fonctionnement des programmes de la sècheuse nécessite une température ambiante supérieure à 45°F (7°C).
- **De l'eau de rinçage froide a-t-elle été utilisée? La charge était-elle très mouillée?**
Prévoir des durées de séchage plus longues pour les articles rincés à l'eau froide et les articles qui retiennent l'humidité (cotons).
- **La charge est-elle trop grosse et encombrante pour sécher rapidement?**
Séparer la charge pour qu'elle culbute librement.

Sècheuse en panne

- **Vérifier ce qui suit :**

La sècheuse est branchée sur une prise reliée à la terre à trois alvéoles.

Un fusible est-il grillé ou un disjoncteur s'est-il déclenché?

A-t-on utilisé un fusible ordinaire? Utiliser un fusible temporisé.

La porte de la sècheuse est-elle bien fermée?

A-t-on bien enfoncé le bouton de mise en marche (PUSH TO START)?

A-t-on sélectionné un programme?

Bruits inhabituels

- **La sècheuse n'a-t-elle pas été utilisée depuis un certain temps?**
Si la sècheuse n'a pas été utilisée depuis quelque temps, il est possible qu'elle émette des bruits saccadés au cours des premières minutes de fonctionnement.

Charpie sur la charge

- **Le filtre à charpie est-il obstrué?**
Nettoyer le filtre à charpie. Vérifier le mouvement de l'air.
- **La charge est-elle bien triée?**
Trier les articles causant la charpie (serviettes, chenille) des articles qui retiennent la charpie (velours côtelé, synthétiques). Trier également en fonction des couleurs.
- **La charge est-elle trop grosse ou trop lourde?**
Sécher des charges plus petites de sorte que la charpie puisse être dirigée vers le filtre à charpie.
- **La charge a-t-elle été séchée à l'excès?**
Utiliser les bons réglages pour le type de charge. Un séchage excessif peut provoquer de l'électricité statique, attirant la charpie. Voir la section "Conseils pour séchage, programmes et température".
- **A-t-on laissé du papier ou des mouchoirs en papier dans les poches?**
- **Prend-on le boulochage pour de la charpie?**
Le boulochage (duvet à la surface) est causé par l'usure normale et le lavage.

Taches sur la charge ou décoloration

- **L'assouplissant de tissus pour sècheuse a-t-il été bien utilisé?**
Ajouter les feuilles d'assouplissant de tissus au début du programme. Les feuilles d'assouplissant de tissus ajoutées à une charge partiellement sèche peuvent tacher les vêtements.
- **A-t-on placé des articles sales dans la sècheuse?**
Les articles doivent être propres avant d'être séchés.
- **Les articles ont-ils été bien triés?**
Séparer les couleurs pâles des couleurs foncées. Séparer les articles grand teint des articles qui déteignent.

Rétrécissement des articles

- **La sècheuse a-t-elle été surchargée?**
Faire sécher de plus petites charges qui peuvent culbuter librement.

- **Le linge a-t-il été séché à l'excès?**
Vérifier l'étiquette d'entretien du fabricant. Adapter le réglage de la sècheuse au type de charge. Voir la section "Conseils pour séchage, programmes et température".

Charges avec faux plis

- **La charge a-t-elle été retirée de la sècheuse à la fin du programme?**
- **La sècheuse a-t-elle été surchargée?**
Faire sécher de plus petites charges qui peuvent culbuter librement.
- **Le linge a-t-il été séché à l'excès?**
Vérifier l'étiquette d'entretien du fabricant. Adapter le réglage de la sècheuse au type de charge. Voir la section "Conseils pour séchage, programmes et température".

Odeurs

- **Avez-vous récemment employé peinture, teinture ou vernis dans la pièce où est installée votre sècheuse?**
Si c'est le cas, aérer la pièce. Une fois les odeurs ou émanations disparues, laver et sécher à nouveau les vêtements.
- **La sècheuse est-elle utilisée pour la première fois?**
Le nouvel élément de séchage électrique peut émettre une odeur. L'odeur disparaîtra après le premier programme.

Endommagement des vêtements

- **Vérifier ce qui suit :**
Les fermetures à glissière, les boutons pressions et les agrafes ont-ils été laissés ouverts?
Les cordons et les ceintures ont-ils été attachés pour empêcher l'emmêlement?
A-t-on suivi les instructions de l'étiquette d'entretien?
Les articles étaient-ils endommagés avant le séchage?

ASSISTANCE OU SERVICE

Avant de faire un appel pour assistance ou service, veuillez vérifier "Dépannage". Cette vérification peut vous faire économiser le coût d'une visite de service. Si vous avez encore besoin d'aide, suivre les instructions ci-dessous.

Lors d'un appel, veuillez connaître la date d'achat et les numéros au complet de modèle et de série de votre appareil. Ces renseignements nous aideront à mieux répondre à votre demande.

Si vous avez besoin de pièces de rechange

Si vous avez besoin de commander des pièces de rechange, nous vous recommandons d'utiliser seulement les pièces d'origine FSP®. Ces pièces de rechange conviendront et fonctionneront bien parce qu'elles sont fabriquées selon les mêmes spécifications précises utilisées pour construire chaque nouvel appareil WHIRLPOOL®. Pour localiser des pièces d'origine FSP dans votre région, téléphoner (aux É.-U.) au Centre d'interaction avec la clientèle ou au centre de service désigné le plus proche.

Aux États-Unis

Téléphoner au Centre d'interaction avec la clientèle sans frais : **1-800-253-1301**.

Nos consultants fournissent de l'assistance pour :

- Caractéristiques et spécifications de notre gamme complète d'appareils ménagers.
- Renseignements d'installation.
- Procédés d'utilisation et d'entretien.
- Vente d'accessoires et de pièces de rechange.
- Assistance spécialisée au client (langue espagnole, malentendants, malvoyants, etc.).
- Les références aux concessionnaires, compagnies de service de réparation et distributeurs de pièces de rechange locaux. Les techniciens de service désignés par Whirlpool sont formés pour remplir la garantie des produits et fournir un service après garantie partout aux États-Unis.

Pour localiser la compagnie de service désignée par Whirlpool dans votre région, vous pouvez consulter les Pages jaunes.

Pour plus d'assistance

Si vous avez besoin de plus d'assistance, vous pouvez nous écrire en soumettant toute question ou problème à :

Whirlpool Corporation
Customer Interaction Center
553 Benson Road
Benton Harbor, MI 49022-2692

Dans votre correspondance, veuillez indiquer un numéro de téléphone où l'on peut vous joindre dans la journée.

Accessoires aux É.-U.

Pour commander des accessoires, téléphonez sans frais au Centre d'interaction avec la clientèle Whirlpool en composant le **1-800-442-9991** et suivez les directives transmises. Ou visitez notre site web à **www.whirlpool.com**.

Au Canada

Téléphoner sans frais au Centre d'interaction avec la clientèle de Whirlpool Canada Inc. au : **1-800-461-5681** du lundi au vendredi - de 8 h 00 à 18 h 00 (HNE). Le samedi - de 8 h 30 à 16 h 30 (HNE).

Nos consultants fournissent de l'assistance pour :

- Caractéristiques et spécifications de notre gamme complète d'appareils électroménagers.
- Les références aux concessionnaires locaux.

Pour service au Canada

Téléphoner au **1-800-807-6777**. Les techniciens de service désignés par Whirlpool Canada Inc. sont formés pour remplir la garantie des produits et fournir un service après garantie partout au Canada.

Pour plus d'assistance

Si vous avez besoin de plus d'assistance, vous pouvez nous écrire en soumettant toute question ou problème au :

Centre d'interaction avec la clientèle
Whirlpool Canada Inc.
1901 Minnesota Court
Mississauga, Ontario L5N 3A7

Dans votre correspondance, veuillez indiquer un numéro de téléphone où l'on peut vous joindre dans la journée.

GARANTIE DE LA SÉCHEUSE WHIRLPOOL®

GARANTIE COMPLÈTE DE UN AN

Pendant un an à compter de la date d'achat, lorsque cette sècheuse fonctionne et est entretenue conformément aux instructions fournies avec le produit, Whirlpool Corporation paiera pour les pièces de rechange FSP® et les frais de main-d'oeuvre pour corriger les vices de matériaux ou de fabrication. Le service doit être fourni par une compagnie de service désignée par Whirlpool.

Whirlpool Corporation ne paiera pas pour :

1. Les visites de service pour rectifier l'installation de la sècheuse, y compris le système d'évacuation d'air. Un conduit d'évacuation en métal lourd de 4" (10, 2 cm) doit être utilisé. Se référer à la section Conduit d'évacuation de ce manuel et aux instructions d'installation.
2. Les visites de service pour vous montrer comment utiliser la sècheuse, remplacer des fusibles de la maison, rectifier le câblage électrique, réactiver les disjoncteurs ou pour remplacer les ampoules d'éclairage accessibles au propriétaire.
3. Les réparations lorsque la sècheuse est utilisée à des fins autres que l'usage unifamilial normal.
4. Les dommages imputables à : accident, modification, mésusage, abus, incendie, inondation, actes de Dieu, mauvaise installation (y compris mais non limitée à des conduits d'évacuation en plastique ou en feuille métallique flexible), une installation non conforme aux codes locaux d'électricité et de plomberie, ou l'utilisation d'un produit non approuvé par Whirlpool Corporation ou Whirlpool Canada Inc.
5. Le coût des pièces de rechange ou les frais de main-d'oeuvre pour les appareils utilisés hors des États-Unis et du Canada.
6. Le ramassage et la livraison. Le produit est conçu pour être réparé à domicile.
7. Les réparations aux pièces ou systèmes résultant d'une modification non autorisée faite à l'appareil.
8. Au Canada, les frais de voyage ou de transport pour les clients qui habitent dans des régions éloignées.

WHIRLPOOL CORPORATION ET WHIRLPOOL CANADA INC. N'ASSUMENT AUCUNE RESPONSABILITÉ POUR LES DOMMAGES FORTUITS OU INDIRECTS.

Certaines provinces ne permettent pas l'exclusion ou la limitation des dommages fortuits ou indirects de sorte que cette exclusion ou limitation peut ne pas être applicable dans votre cas. Cette garantie vous confère des droits juridiques spécifiques et vous pouvez également jouir d'autres droits qui peuvent varier d'une province à une autre.

À l'extérieur du Canada et des 50 États des États-Unis, cette garantie ne s'applique pas. Contacter votre marchand Whirlpool autorisé pour déterminer si une autre garantie s'applique.

Si vous avez besoin de service, consulter d'abord la section "Dépannage." On peut trouver de l'aide supplémentaire à la section "Assistance ou Service," ou en téléphonant à notre Centre d'assistance aux consommateurs au **1-800-253-1301**, de n'importe où aux É.-U. ou en écrivant à : Whirlpool Corporation, Customer Interaction Center, 553 Benson Road, Benton Harbor, MI 49022-2692. Au Canada, téléphoner à Whirlpool Canada Inc. au : **1-800-807-6777**.

7/03

Conservez ce manuel et votre reçu de vente ensemble pour référence ultérieure. Pour le service sous garantie, vous devez présenter un document prouvant la date d'achat ou d'installation.

Inscrivez les renseignements suivants au sujet de votre sècheuse pour mieux obtenir assistance ou service en cas de besoin. Vous devrez connaître le numéro de modèle et le numéro de série au complet. Cette information est donnée sur la plaque signalétique indiquant le numéro de modèle et le numéro de série, située sur votre appareil tel qu'indiqué dans "Pièces et caractéristiques".

Nom du marchand _____

Adresse _____

Numéro de téléphone _____

Numéro de modèle _____

Numéro de série _____

Date d'achat _____

8562113

© 2004 Whirlpool Corporation.
All rights reserved.
Tous droits réservés.

® Registered Trademark/TM Trademark of Whirlpool, U.S.A., Whirlpool Canada Inc. Licensee in Canada
® Marque déposée/TM Marque de commerce de Whirlpool, U.S.A., Emploi licencié par Whirlpool Canada Inc. au Canada

7/04
Printed in U.S.A.
Imprimé aux É.-U.

Free Manuals Download Website

<http://myh66.com>

<http://usermanuals.us>

<http://www.somanuals.com>

<http://www.4manuals.cc>

<http://www.manual-lib.com>

<http://www.404manual.com>

<http://www.luxmanual.com>

<http://aubethermostatmanual.com>

Golf course search by state

<http://golfingnear.com>

Email search by domain

<http://emailbydomain.com>

Auto manuals search

<http://auto.somanuals.com>

TV manuals search

<http://tv.somanuals.com>