



---

**duet<sup>®</sup>**  
**ELECTRONIC**  
**ELECTRIC DRYER**

**Use & Care Guide**

For questions about features, operation/performance, parts, accessories or service, call: **1-800-253-1301** or visit our website at... **www.whirlpool.com**

---

Table of Contents ..... 2

---

---

# TABLE OF CONTENTS

<b>DRYER SAFETY</b> .....	<b>3</b>	<b>DRYER USE</b> .....	<b>17</b>
<b>INSTALLATION INSTRUCTIONS</b> .....	<b>4</b>	Starting Your Dryer.....	17
Tools and Parts .....	4	Stopping Your Dryer.....	18
Options .....	4	Pausing or Restarting .....	18
Location Requirements .....	5	Control Locked.....	18
Electrical Requirements .....	7	Drying and Cycle Tips .....	18
Electrical Connection .....	8	Status Lights.....	19
Venting Requirements.....	13	Cycles.....	19
Plan Vent System .....	14	Additional Features .....	20
Install Vent System.....	15	Drying Rack .....	21
Install Leveling Legs .....	16	<b>DRYER CARE</b> .....	<b>22</b>
Connect Vent.....	16	Cleaning the Dryer Location.....	22
Level Dryer .....	16	Cleaning the Lint Screen .....	22
Complete Installation .....	16	Cleaning the Dryer Interior .....	22
		Removing Accumulated Lint.....	22
		Vacation and Moving Care.....	23
		Changing the Drum Light.....	23
		<b>TROUBLESHOOTING</b> .....	<b>24</b>
		<b>ASSISTANCE OR SERVICE</b> .....	<b>26</b>
		<b>WARRANTY</b> .....	<b>28</b>

# DRYER SAFETY

## Your safety and the safety of others are very important.

We have provided many important safety messages in this manual and on your appliance. Always read and obey all safety messages.



This is the safety alert symbol.

This symbol alerts you to potential hazards that can kill or hurt you and others.

All safety messages will follow the safety alert symbol and either the word "DANGER" or "WARNING."

These words mean:

**⚠ DANGER**

**You can be killed or seriously injured if you don't immediately follow instructions.**

**⚠ WARNING**

**You can be killed or seriously injured if you don't follow instructions.**

All safety messages will tell you what the potential hazard is, tell you how to reduce the chance of injury, and tell you what can happen if the instructions are not followed.

## IMPORTANT SAFETY INSTRUCTIONS

**WARNING:** To reduce the risk of fire, electric shock, or injury to persons when using the dryer, follow basic precautions, including the following:

- Read all instructions before using the dryer.
- Do not place items exposed to cooking oils in your dryer. Items contaminated with cooking oils may contribute to a chemical reaction that could cause a load to catch fire.
- Do not dry articles that have been previously cleaned in, washed in, soaked in, or spotted with gasoline, dry-cleaning solvents, or other flammable or explosive substances as they give off vapors that could ignite or explode.
- Do not allow children to play on or in the dryer. Close supervision of children is necessary when the dryer is used near children.
- Before the dryer is removed from service or discarded, remove the door to the drying compartment.
- Do not reach into the dryer if the drum is moving.
- Do not install or store the dryer where it will be exposed to the weather.
- Do not tamper with controls.
- Do not repair or replace any part of the dryer or attempt any servicing unless specifically recommended in this Use and Care Guide or in published user-repair instructions that you understand and have the skills to carry out.
- Do not use fabric softeners or products to eliminate static unless recommended by the manufacturer of the fabric softener or product.
- Do not use heat to dry articles containing foam rubber or similarly textured rubber-like materials.
- Clean lint screen before or after each load.
- Keep area around the exhaust opening and adjacent surrounding areas free from the accumulation of lint, dust, and dirt.
- The interior of the dryer and exhaust vent should be cleaned periodically by qualified service personnel.
- See installation instructions for grounding requirements.

**SAVE THESE INSTRUCTIONS**

# INSTALLATION INSTRUCTIONS

## Tools and Parts

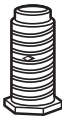
Gather the required tools and parts before starting installation. Read and follow the safety instructions provided with any tools listed here.

- Flat-blade screwdriver
- #2 Phillips screwdriver
- Adjustable wrench that opens to 1" (2.5 cm) or hex-head socket wrench (for adjusting dryer feet)
- Wire stripper (direct wire installations)
- Level
- Vent clamps
- Caulking gun and compound (for installing new exhaust vent)
- Tin snips (new vent installations)
- Tape measure
- ¼" nut driver (recommended)

## Parts supplied

Remove parts packages from dryer drum. Check that all parts are included.

- Parts package



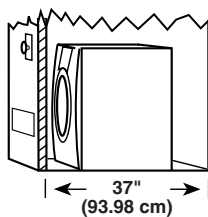
4 Leveling legs

**NOTE:** Do not use leveling legs if installing the dryer on a pedestal.

## Parts needed

Check local codes. Check existing electrical supply and venting. See "Electrical Requirements" and "Venting Requirements" before purchasing parts.

- For close-clearance installations between 31.5" (80.01 cm) and 37" (93.98 cm), see "Plan Vent System" section for venting requirements.



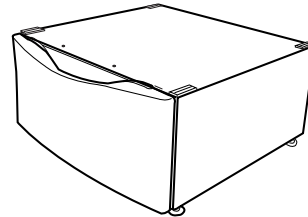
Mobile home installations require metal exhaust system hardware available for purchase from the dealer from whom you purchased your dryer. For further information, please refer to the "Assistance or Service" section of this manual.

## Options

### Pedestal

Are you placing the dryer on a pedestal? You may purchase a pedestal separately for this dryer. This pedestal will add about 13" (33 cm) to the height of your unit for a total height of approximately 51" (130 cm).

For a garage installation, you will need to place the pedestal at least 6" (22.9 cm) above the floor.



Optional pedestal

To order, call the dealer from whom you purchased your dryer or refer to the "Assistance or Service" section of this manual. Ask for Part Number LAB2700MQ (White), LAB2700MT (Biscuit) or LAB2700ML (Pewter).

### Stack Kit

Are you planning to stack your DUET® washer and dryer? To do so, you will need to purchase a Stack Kit.

To order, call the dealer from whom you purchased your dryer or refer to the "Assistance or Service" section of this manual. Ask for Part Number 8541503.

### Door Reversal Kit

Are you planning to reverse the door swing direction on your DUET® dryer? To do so, you will need to purchase a Door Reversal Kit.

To order, call the dealer from whom you purchased your dryer or refer to the "Assistance or Service" section of this manual. Ask for Part Number 8530069 (Shield Blue), 8530070 (Shield Platinum), 8530071 (Biscuit) or 8530072 (Pewter).

### Door Reversal and Stack Combination Kit

Are you planning to reverse the door swing direction on your DUET® dryer and stack your DUET® washer and dryer? To do so, you can purchase a Door Reversal and Stack Combination Kit.

To order, call the dealer from whom you purchased your dryer or refer to the "Assistance or Service" section of this manual. Ask for Part Number 8530073 (Shield Blue), 8530074 (Shield Platinum), 8530075 (Biscuit) or 8530076 (Pewter).

## Location Requirements

### **! WARNING**



#### Explosion Hazard

Keep flammable materials and vapors, such as gasoline, away from dryer.

Place dryer at least 18 inches (46 cm) above the floor for a garage installation.

Failure to do so can result in death, explosion, or fire.

#### You will need

- A location that allows for proper exhaust installation. See "Venting Requirements."
- A separate 30-amp circuit.
- If you are using a power supply cord, a grounded electrical outlet located within 2 ft (61 cm) of either side of the dryer.
- A sturdy floor to support the total dryer weight of 200 lbs (90.7 kg). The combined weight of a companion appliance should also be considered.
- A level floor with a maximum slope of 1" (2.5 cm) under entire dryer. If slope is greater than 1" (2.5 cm), install Extended Dryer Feet Kit, Part Number 279810. Clothes may not tumble properly and automatic sensor cycles may not operate correctly if dryer is not level.
- For a garage installation, you will need to place the dryer at least 18" (46 cm) above the floor. If using a pedestal, you will need to place the pedestal at least 6" (22.9 cm) above the floor.

Do not operate your dryer at temperatures below 45°F (7°C). At lower temperatures, the dryer might not shut off at the end of an automatic cycle. This can result in longer drying times.

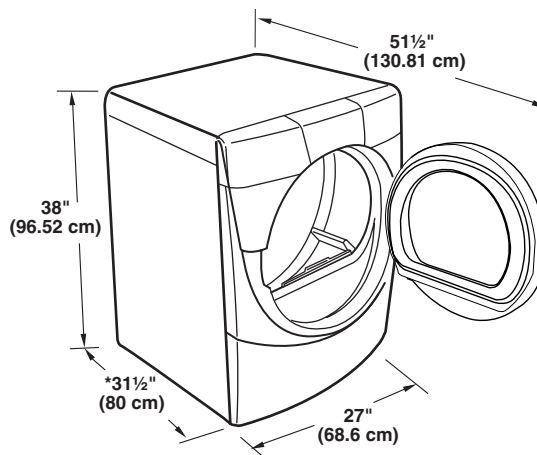
The dryer must not be installed or stored in an area where it will be exposed to water and/or weather.

Check code requirements. Some codes limit, or do not permit, installation of the dryer in garages, closets, mobile homes or sleeping quarters. Contact your local building inspector.

#### Installation clearances

- The location must be large enough to allow the dryer door to open fully.
- Additional spacing should be considered for ease of installation and servicing.
- Additional clearances might be required for wall, door and floor moldings.
- Additional spacing of 1" (2.5 cm) on all sides of the dryer is recommended to reduce noise transfer.
- Companion appliance spacing should also be considered.

#### Dryer Dimensions

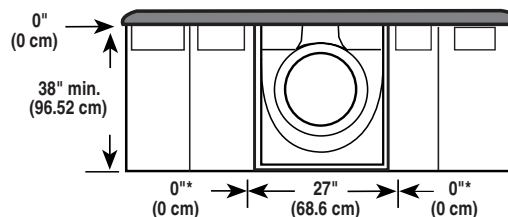


\*Most installations require a minimum 5/2" (14 cm) clearance behind the dryer for the exhaust vent with elbow. See "Venting Requirements."

#### Minimum installation spacing for custom undercounter installation

The dimensions shown are for the minimum spacing allowed.

##### Custom undercounter installation - Dryer only

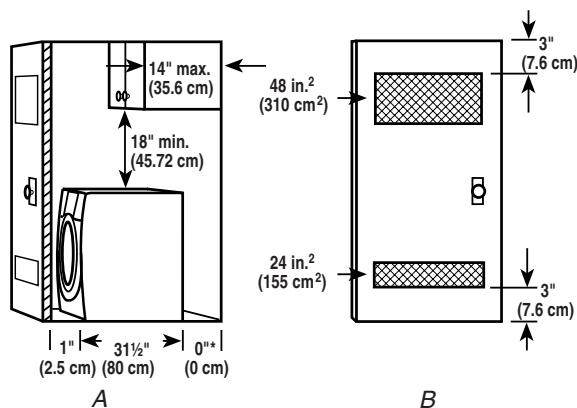


\*Additional spacing recommended

#### Minimum installation spacing for recessed or closet installation, with or without a pedestal

- The dimensions shown are for the minimum spacing allowed.
- For closet installation, with a door, minimum ventilation openings in the top and bottom of the door are required. Louvered doors with equivalent ventilation openings are acceptable.

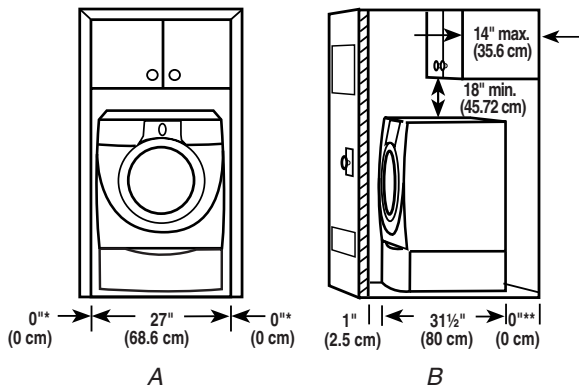
##### Closet installation - Dryer only



A. Side view - closet or confined area  
B. Closet door with vents

\*Side or bottom venting - additional spacing recommended

## Recessed or closet installation - Dryer on pedestal



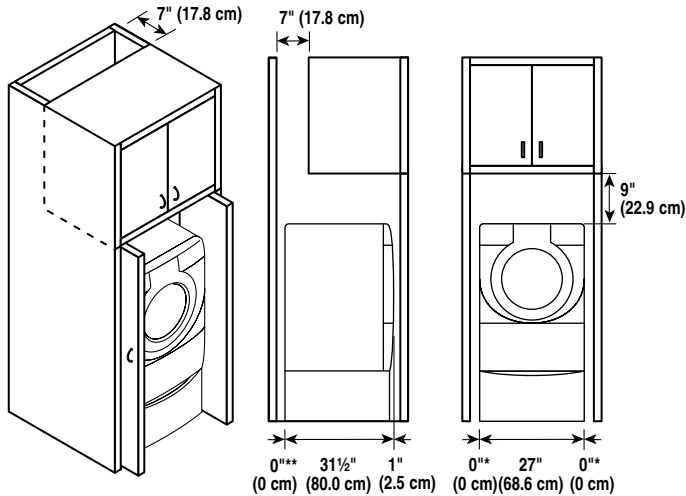
A. Recessed area  
B. Side view - closet or confined area

\*Additional spacing recommended

\*\*Side or bottom venting - additional spacing recommended

## Minimum installation spacing for cabinet installation

- The dimensions shown are for the minimum spacing allowed.
- For cabinet installation, with a door, minimum ventilation openings in the top of the cabinet are required.

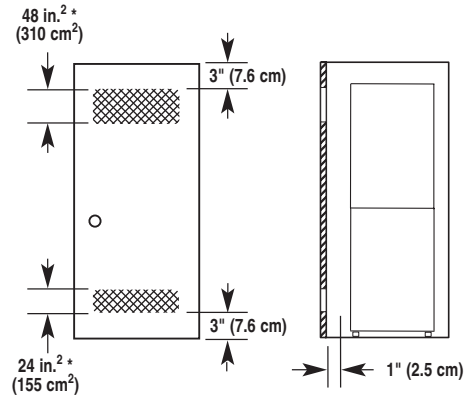


\*Side or bottom venting - additional spacing recommended

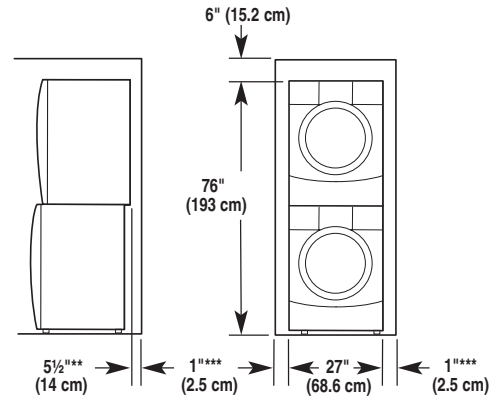
\*\*Additional spacing recommended

## Recommended installation spacing for recessed or closet installation, with stacked washer and dryer

The dimensions shown are for the recommended spacing.



\*Min. top and bottom air openings for closet door.



\*\*External exhaust elbow requires additional space.

\*\*\*Wall, door and floor molding may require additional spacing.

## Mobile home - Additional installation requirements

This dryer is suitable for mobile home installations. The installation must conform to the Manufactured Home Construction and Safety Standard, Title 24 CFR, Part 3280 (formerly the Federal Standard for Mobile Home Construction and Safety, Title 24, HUD Part 280) or Standard CAN/CSA-Z240 MH.

## Mobile home installations require:

- Metal exhaust system hardware, which is available for purchase from your dealer.
- Special provisions must be made in mobile homes to introduce outside air into the dryer. The opening (such as a nearby window) should be at least twice as large as the dryer exhaust opening.

## Electrical Requirements

### It is your responsibility

- To contact a qualified electrical installer.
- To be sure that the electrical connection is adequate and in conformance with the National Electrical Code, ANSI/NFPA 70-latest edition and all local codes and ordinances.

The National Electric Code requires a 4-wire supply connection for homes built after 1996, dryer circuits involved in remodeling after 1996, and all mobile home installations.

A copy of the above code standards can be obtained from: National Fire Protection Association, One Batterymarch Park, Quincy, MA 02269.

- To supply the required 3 or 4 wire, single phase, 120/240 volt, 60 Hz., AC only electrical supply (or 3 or 4 wire, 120/208 volt electrical supply, if specified on the serial/rating plate) on a separate 30-amp circuit, fused on both sides of the line. A time-delay fuse or circuit breaker is recommended. Connect to an individual branch circuit. Do not have a fuse in the neutral or grounding circuit.
- Do not use an extension cord.
- If codes permit and a separate ground wire is used, it is recommended that a qualified electrician determine that the ground path is adequate.

### Electrical Connection

To properly install your dryer, you must determine the type of electrical connection you will be using and follow the instructions provided for it here.

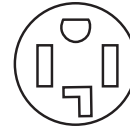
- This dryer is manufactured ready to install with a 3-wire electrical supply connection. The neutral ground wire is permanently connected to the neutral conductor (white wire) within the dryer. If the dryer is installed with a 4-wire electrical supply connection, the neutral ground wire must be removed from the external ground conductor screw (green screw), and secured under the neutral terminal (center or white wire) of the terminal block. When the neutral ground wire is secured under the neutral terminal (center or white wire) of the terminal block, the dryer cabinet is isolated from the neutral conductor.
- If local codes do not permit the connection of a neutral ground wire to the neutral wire, see "Optional 3-wire connection" section.
- A 4-wire power supply connection must be used when the appliance is installed in a location where grounding through the neutral conductor is prohibited. Grounding through the neutral is prohibited for (1) new branch-circuit installations, (2) mobile homes, (3) recreational vehicles, and (4) areas where local codes prohibit grounding through the neutral conductors.

### If using a power supply cord:

Use a UL listed power supply cord kit marked for use with clothes dryers. The kit should contain:

- A UL listed 30-amp power supply cord, rated 120/240 volt minimum. The cord should be type SRD or SRDT and be at least 4 ft (1.22 m) long. The wires that connect to the dryer must end in ring terminals or spade terminals with upturned ends.
- A UL listed strain relief.

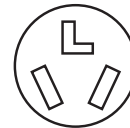
### If your outlet looks like this:



4-wire receptacle (14-30R)

Then choose a 4-wire power supply cord with ring or spade terminals and UL listed strain relief. The 4-wire power supply cord, at least 4 ft (1.22 m) long, must have four 10-gauge copper wires and match a 4-wire receptacle of NEMA Type 14-30R. The ground wire (ground conductor) may be either green or bare. The neutral conductor must be identified by a white cover.

### If your outlet looks like this:



3-wire receptacle (10-30R)

Then choose a 3-wire power supply cord with ring or spade terminals and UL listed strain relief. The 3-wire power supply cord, at least 4 ft (1.22 m) long, must have three 10-gauge copper wires and match a 3-wire receptacle of NEMA Type 10-30R.

### If connecting by direct wire:

Power supply cable must match power supply (4-wire or 3-wire) and be:

- Flexible armored cable or nonmetallic sheathed copper cable (with ground wire), protected with flexible metallic conduit. All current-carrying wires must be insulated.
- 10-gauge solid copper wire (do not use aluminum).
- At least 5 ft (1.52 m) long.

### GROUNDING INSTRUCTIONS

- For a grounded, cord-connected dryer:  
This dryer must be grounded. In the event of malfunction or breakdown, grounding will reduce the risk of electric shock by providing a path of least resistance for electric current. This dryer uses a cord having an equipment-grounding conductor and a grounding plug. The plug must be plugged into an appropriate outlet that is properly installed and grounded in accordance with all local codes and ordinances.
- For a permanently connected dryer:  
This dryer must be connected to a grounded metal, permanent wiring system, or an equipment-grounding conductor must be run with the circuit conductors and connected to the equipment-grounding terminal or lead on the dryer.

**WARNING:** Improper connection of the equipment-grounding conductor can result in a risk of electric shock. Check with a qualified electrician or service representative or personnel if you are in doubt as to whether the dryer is properly grounded. Do not modify the plug on the power supply cord: if it will not fit the outlet, have a proper outlet installed by a qualified electrician.

### SAVE THESE INSTRUCTIONS

## Electrical Connection

### Power Supply Cord

#### **⚠ WARNING**



##### Fire Hazard

- Use a new UL listed 30 amp power supply cord.
- Use a UL listed strain relief.
- Disconnect power before making electrical connections.
- Connect neutral wire (white or center wire) to center terminal (silver).
- Ground wire (green or bare wire) must be connected to green ground connector.
- Connect remaining 2 supply wires to remaining 2 terminals (gold).
- Securely tighten all electrical connections.
- Failure to do so can result in death, fire, or electrical shock.

### Direct Wire

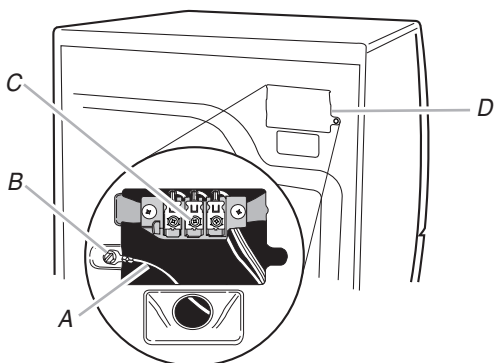
#### **⚠ WARNING**



##### Fire Hazard

- Use 10 gauge solid copper wire.
- Use a UL listed strain relief.
- Disconnect power before making electrical connections.
- Connect neutral wire (white or center wire) to center terminal (silver).
- Ground wire (green or bare wire) must be connected to green ground connector.
- Connect remaining 2 supply wires to remaining 2 terminals (gold).
- Securely tighten all electrical connections.
- Failure to do so can result in death, fire, or electrical shock.

1. Disconnect power.
2. Remove the hold-down screw and terminal block cover.

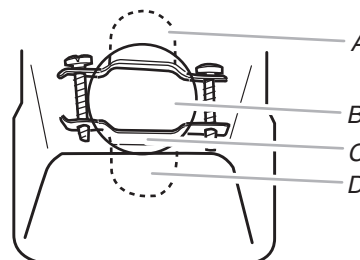


- A. Neutral ground wire
- B. External ground conductor screw
- C. Center, silver-colored terminal block screw
- D. Terminal block cover and hold-down screw

3. Install strain relief.

#### Style 1: Power supply cord strain relief

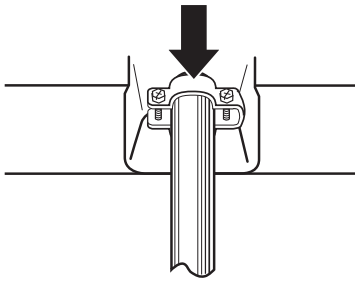
- Remove the screws from a 3/4" (1.9 cm) UL listed strain relief (UL marking on strain relief). Put the tabs of the two clamp sections into the hole below the terminal block opening so that one tab is pointing up and the other is pointing down, and hold in place. Tighten strain relief screws just enough to hold the two clamp sections together.



- A. Strain relief tab pointing up
- B. Hole below terminal block opening
- C. Clamp section
- D. Strain relief tab pointing down

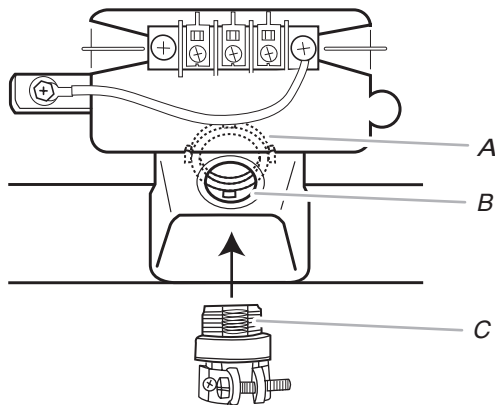


- Put power supply cord through the strain relief. Be sure that the wire insulation on the power supply cord is inside the strain relief. The strain relief should have a tight fit with the dryer cabinet and be in a horizontal position. Do not further tighten strain relief screws at this point.



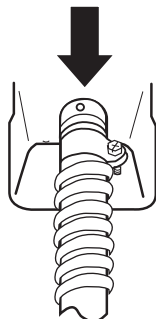
### Style 2: Direct wire strain relief

- Unscrew the removable conduit connector and any screws from a 3/4" (1.9 cm) UL listed strain relief (UL marking on strain relief). Put the threaded section of the strain relief through the hole below the terminal block opening. Reaching inside the terminal block opening, screw the removable conduit connector onto the strain relief threads.



A. Removable conduit connector  
B. Hole below terminal block opening  
C. Strain relief threads

- Put direct wire cable through the strain relief. The strain relief should have a tight fit with the dryer cabinet and be in a horizontal position. Tighten strain relief screw against the direct wire cable.


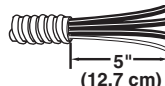

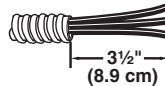


- Now complete installation following instructions for your type of electrical connection:

**4-wire** (recommended)

**3-wire** (if 4-wire is not available)

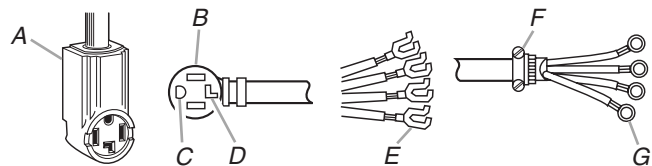
### Electrical Connection Options

If your home has:	And you will be connecting to:	Go to Section
4-wire receptacle (NEMA Type 14-30R) 	A UL listed, 120/240-volt minimum, 30-amp, dryer power supply cord*	4-wire connection: Power supply cord
4-wire direct 	A fused disconnect or circuit breaker box*	4-wire connection: Direct Wire
3-wire receptacle (NEMA type 10-30R) 	A UL listed, 120/240-volt minimum, 30-amp, dryer power supply cord*	3-wire connection: Power supply cord
3-wire direct 	A fused disconnect or circuit breaker box*	3-wire connection: Direct Wire

\*If local codes do not permit the connection of a frame-grounding conductor to the neutral wire, go to "Optional 3-wire connection" section.

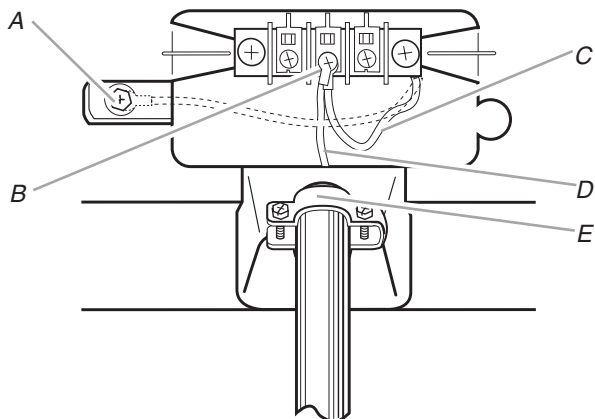
### 4-wire connection: Power supply cord

**IMPORTANT:** A 4-wire connection is required for mobile homes and where local codes do not permit the use of 3-wire connections.



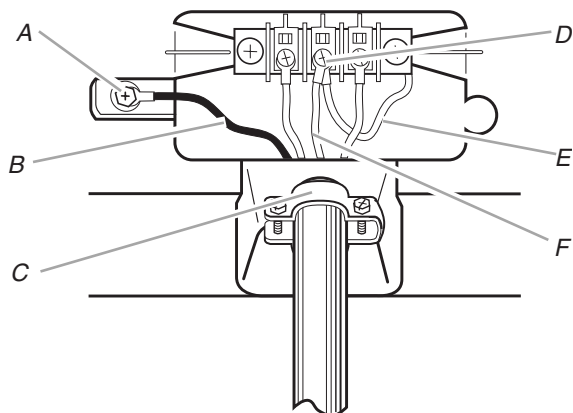
A. 4-wire receptacle (NEMA type 14-30R)  
B. 4-prong plug  
C. Ground prong  
D. Neutral prong  
E. Spade terminals with upturned ends  
F. 3/4" (1.9 cm) UL listed strain relief  
G. Ring terminals

1. Remove center silver-colored terminal block screw.
2. Remove neutral ground wire from external ground conductor screw. Connect neutral ground wire and the neutral wire (white or center wire) of power supply cord under center, silver-colored terminal block screw. Tighten screw.



- A. External ground conductor screw - Dotted line shows position of NEUTRAL ground wire before being moved to center silver-colored terminal block screw
- B. Center silver-colored terminal block screw
- C. Neutral ground wire
- D. Neutral wire (white or center wire)
- E.  $\frac{3}{4}$ " (1.9 cm) UL listed strain relief

3. Connect ground wire (green or bare) of power supply cord to external ground conductor screw. Tighten screw.



- A. External ground conductor screw
- B. Ground wire (green or bare) of power supply cord
- C.  $\frac{3}{4}$ " (1.9 cm) UL listed strain relief
- D. Center silver-colored terminal block screw
- E. Neutral ground wire
- F. Neutral wire (white or center wire)

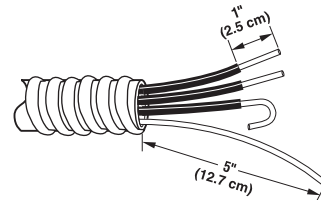
4. Connect the other wires to outer terminal block screws. Tighten screws.
5. Tighten strain relief screws.
6. Insert tab of terminal block cover into slot of dryer rear panel. Secure cover with hold-down screw.
7. You have completed your electrical connection. Now go to "Venting Requirements."

#### 4-wire connection: Direct wire

**IMPORTANT:** A 4-wire connection is required for mobile homes and where local codes do not permit the use of 3-wire connections.

Direct wire cable must have 5 ft (1.52 m) of extra length so dryer can be moved if needed.

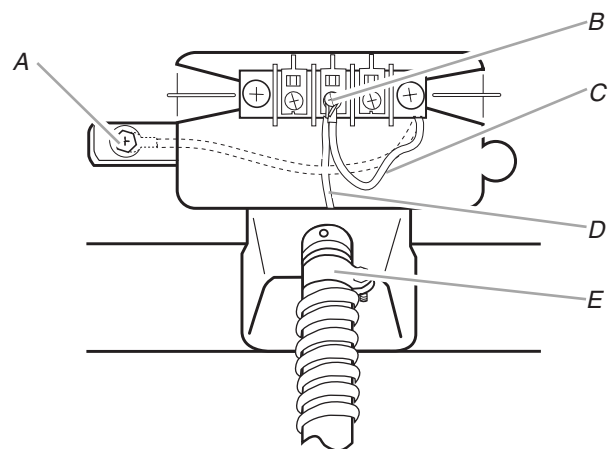
Strip 5" (12.7 cm) of outer covering from end of cable, leaving bare ground wire at 5" (12.7 cm). Cut  $1\frac{1}{2}$ " (3.8 cm) from 3 remaining wires. Strip insulation back 1" (2.5 cm). Shape ends of wires into a hook shape.



When connecting to the terminal block, place the hooked end of the wire under the screw of the terminal block (hook facing right), squeeze hooked end together and tighten screw, as shown.

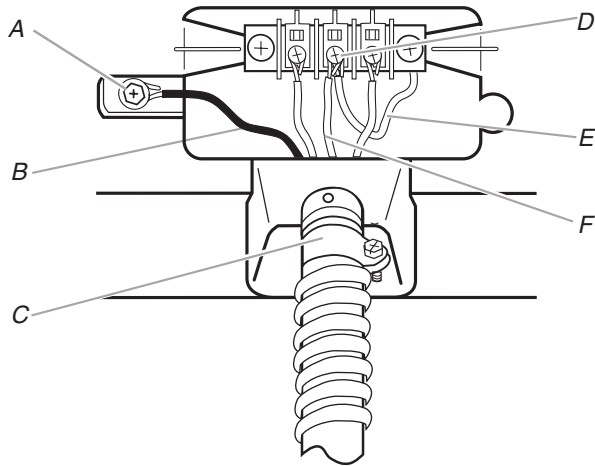


1. Remove center silver-colored terminal block screw.
2. Remove neutral ground wire from external ground conductor screw. Connect neutral ground wire and place the hooked end (hook facing right) of the neutral wire (white or center wire) of direct wire cable under the center screw of the terminal block. Squeeze hooked ends together. Tighten screw.



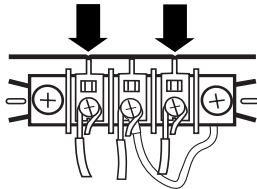
- A. External ground conductor screw - Dotted line shows position of NEUTRAL ground wire before being moved to center silver-colored terminal block screw
- B. Center silver-colored terminal block screw
- C. Neutral ground wire
- D. Neutral wire (white or center wire)
- E.  $\frac{3}{4}$ " (1.9 cm) UL listed strain relief

3. Connect ground wire (green or bare) of direct wire cable to external ground conductor screw. Tighten screw.



A. External ground conductor screw  
 B. Ground wire (green or bare) of power supply cable  
 C. 3/4" (1.9 cm) UL listed strain relief  
 D. Center silver-colored terminal block screw  
 E. Neutral ground wire  
 F. Neutral wire (white or center wire)

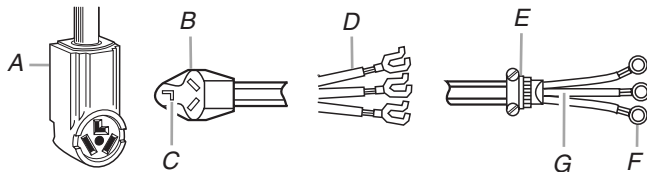
4. Place the hooked ends of the other direct wire cable wires under the outer terminal block screws (hooks facing right). Squeeze hooked ends together. Tighten screws.



5. Tighten strain relief screw.
6. Insert tab of terminal block cover into slot of dryer rear panel. Secure cover with hold-down screw.
7. You have completed your electrical connection. Now go to "Venting Requirements."

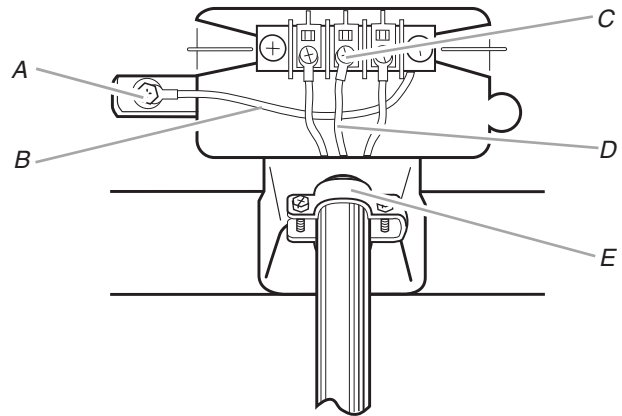
### 3-wire connection: Power supply cord

Use where local codes permit connecting cabinet-ground conductor to neutral wire.



A. 3-wire receptacle (NEMA type 10-30R)  
 B. 3-wire plug  
 C. Neutral prong  
 D. Spade terminals with up turned ends  
 E. 3/4" (1.9 cm) UL listed strain relief  
 F. Ring terminals  
 G. Neutral (white or center wire)

1. Loosen or remove center silver-colored terminal block screw.
2. Connect neutral wire (white or center wire) of power supply cord to the center, silver-colored terminal screw of the terminal block. Tighten screw.



A. External ground conductor screw  
 B. Neutral ground wire  
 C. Center silver-colored terminal block screw  
 D. Neutral wire (white or center wire)  
 E. 3/4" (1.9 cm) UL listed strain relief

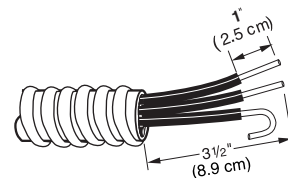
3. Connect the other wires to outer terminal block screws. Tighten screws.
4. Tighten strain relief screws.
5. Insert tab of terminal block cover into slot of dryer rear panel. Secure cover with hold-down screw.
6. You have completed your electrical connection. Now go to "Venting Requirements."

### 3-wire connection: Direct wire

Use where local codes permit connecting cabinet-ground conductor to neutral wire.

Direct wire cable must have 5 ft (1.52 m) of extra length so dryer can be moved if needed.

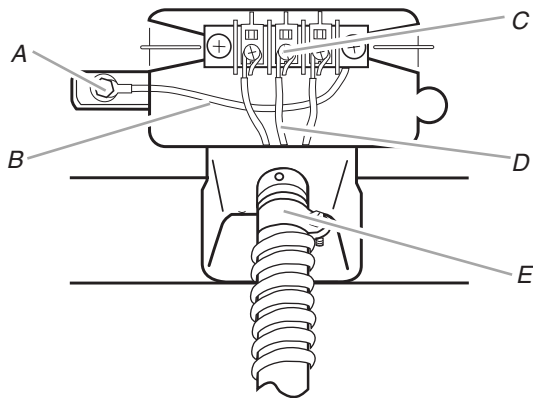
Strip 3 1/2" (8.9 cm) of outer covering from end of cable. Strip insulation back 1" (2.5 cm). If using 3-wire cable with ground wire, cut bare wire even with outer covering. Shape ends of wires into a hook shape.



When connecting to the terminal block, place the hooked end of the wire under the screw of the terminal block (hook facing right), squeeze hooked end together and tighten screw, as shown.

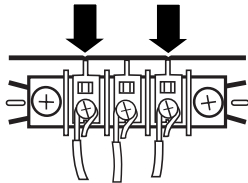


1. Loosen or remove center silver-colored terminal block screw.
2. Place the hooked end of the neutral wire (white or center wire) of direct wire cable under the center screw of terminal block (hook facing right). Squeeze hooked end together. Tighten screw.



- A. External ground conductor screw
- B. Neutral ground wire
- C. Center silver-colored terminal block screw
- D. Neutral wire (white or center wire)
- E.  $\frac{3}{4}$ " (1.9 cm) UL listed strain relief

3. Place the hooked ends of the other direct wire cable wires under the outer terminal block screws (hooks facing right). Squeeze hooked ends together. Tighten screws.

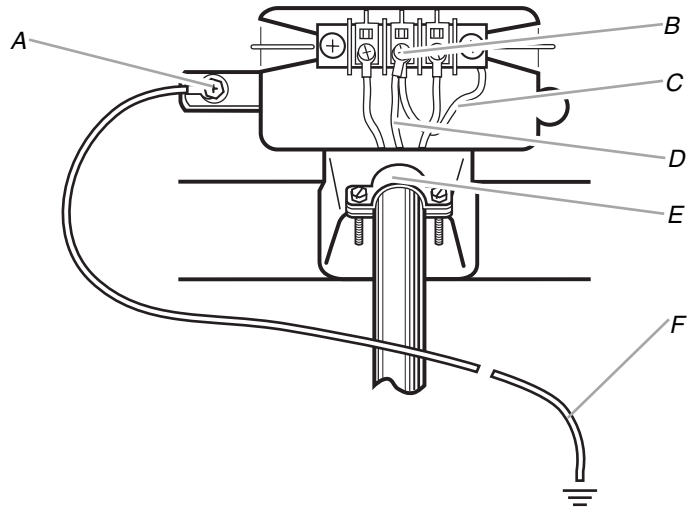


4. Tighten strain relief screw.
5. Insert tab of terminal block cover into slot of dryer rear panel. Secure cover with hold-down screw.
6. You have completed your electrical connection. Now go to "Venting Requirements."

### Optional 3-wire connection

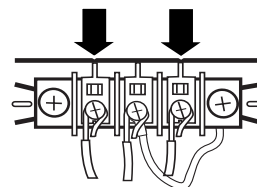
**Use for direct wire or power supply cord where local codes do not permit connecting cabinet-ground conductor to neutral wire.**

1. Remove center silver-colored terminal block screw.
2. Remove neutral ground wire from external ground conductor screw. Connect neutral ground wire and the neutral wire (white or center wire) of power supply cord/cable under center, silver-colored terminal block screw. Tighten screw.



- A. External ground conductor screw
- B. Center silver-colored terminal block screw
- C. Neutral ground wire
- D. Neutral wire (white or center wire)
- E.  $\frac{3}{4}$ " (1.9 cm) UL listed strain relief
- F. Grounding path determined by a qualified electrician

3. Connect the other wires to outer terminal block screws. Tighten screws.



4. Tighten strain relief screws.
5. Insert tab of terminal block cover into slot of dryer rear panel. Secure cover with hold-down screw.
6. Connect a separate copper ground wire from the external ground conductor screw to an adequate ground.

## Venting Requirements

### **! WARNING**



#### Fire Hazard

Use a heavy metal vent.

Do not use a plastic vent.

Do not use a metal foil vent.

Failure to follow these instructions can result in death or fire.

**WARNING:** To reduce the risk of fire, this dryer MUST BE EXHAUSTED OUTDOORS.

**IMPORTANT:** Observe all governing codes and ordinances.

The dryer exhaust must not be connected into any gas vent, chimney, wall, ceiling or a concealed space of a building.

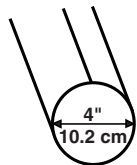
#### If using an existing vent system

- Clean lint from the entire length of the system and make sure exhaust hood is not plugged with lint.
- Replace any plastic or metal foil vent with rigid or flexible heavy metal vent.
- Review Vent system chart. Modify existing vent system if necessary to achieve the best drying performance.

#### If this is a new vent system

##### Vent material

- Use a heavy metal vent. Do not use plastic or metal foil vent.
- 4" (10.2 cm) heavy metal exhaust vent and clamps must be used. DURASAFE™ venting products are recommended.



4" (10.2 cm) heavy metal exhaust vent

DURASAFE™ vent products can be purchased from your dealer or by calling Whirlpool Parts and Accessories. For more information, see the "Assistance or Service" section of this manual.

##### Rigid metal vent

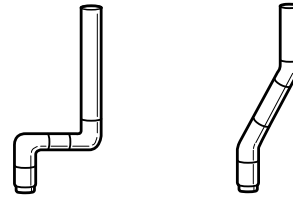
- For best drying performance, rigid metal vents are recommended.
- Rigid metal vent is recommended to avoid crushing and kinking.

##### Flexible metal vent

- Flexible metal vents are acceptable only if accessible for cleaning.
- Flexible metal vent must be fully extended and supported when the dryer is in its final position.
- Remove excess flexible metal vent to avoid sagging and kinking that may result in reduced airflow and poor performance.
- Do not install flexible metal vent in enclosed walls, ceilings or floors.

##### Elbows

45° elbows provide better airflow than 90° elbows.

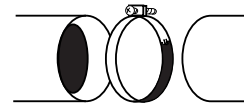


Good

Better

##### Clamps

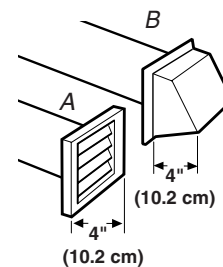
- Use clamps to seal all joints.
- Exhaust vent must not be connected or secured with screws or other fastening devices that extend into the interior of the duct. Do not use duct tape.



Clamp

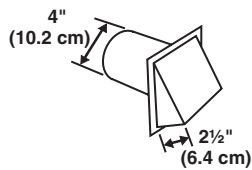
##### Exhaust

Recommended hood styles are shown here.



A. Louvered hood style  
B. Box hood style

The angled hood style (shown here) is acceptable.



- An exhaust hood should cap the vent to keep rodents and insects from entering the home.
- Exhaust hood must be at least 12" (30.5 cm) from the ground or any object that may be in the path of the exhaust (such as flowers, rocks or bushes, snow line, etc.).
- Do not use an exhaust hood with a magnetic latch.

**Improper venting can cause moisture and lint to collect indoors, which may result in:**

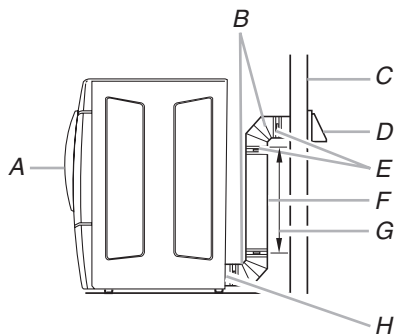
- Moisture damage to woodwork, furniture, paint, wallpaper, carpets, etc.
- Housecleaning problems and health problems.

## Plan Vent System

### Choose your exhaust installation type

#### Recommended exhaust installations

Typical installations vent the dryer from the rear of the dryer. Other installations are possible.



- A. Dryer
- B. Elbow
- C. Wall
- D. Exhaust hood
- E. Clamps
- F. Rigid metal or flexible metal vent
- G. Vent length necessary to connect elbows
- H. Exhaust outlet

#### Optional exhaust installations

This dryer can be converted to exhaust out the right side, left side, or through the bottom. Contact your local dealer to have the dryer converted.

## WARNING



### Fire Hazard

Cover unused exhaust holes with one of the following kits:

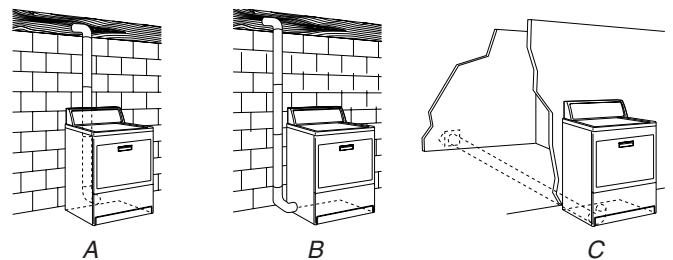
279818 (white)

279925 (biscuit)

279969 (pewter)

Contact your local dealer.

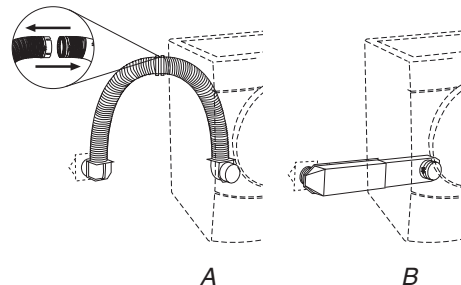
Failure to follow these instructions can result in death, fire, electrical shock, or serious injury.



- A. Standard rear offset exhaust installation
- B. Left or right side exhaust installation
- C. Bottom exhaust installation (not an option with pedestal installations)

#### Alternate installations for close clearances

Venting systems come in many varieties. Select the type best for your installation. Two close-clearance installations are shown. Refer to the manufacturer's instructions.



- A. Over-the-top installation (also available with one offset elbow)
- B. Periscope installation

**NOTE:** The following kits for close clearance alternate installations are available for purchase. Please see the "Assistance or Service" section of this manual to order.

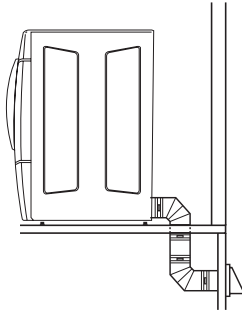
- Over-the-Top Installation:

Part Number 4396028

- Periscope Installation (For use with dryer vent to wall vent mismatch):  
Part Number 4396037 - 0" (0 cm) to 18" (45.72 cm) mismatch  
Part Number 4396011 - 18" (45.72 cm) to 29" (73.66 cm) mismatch  
Part Number 4396014 - 29" (73.66 cm) to 50" (127 cm) mismatch

### Special provisions for mobile home installations

The exhaust vent must be securely fastened to a noncombustible portion of the mobile home structure and must not terminate beneath the mobile home. Terminate the exhaust vent outside.



### Determine vent path

- Select the route that will provide the straightest and most direct path outdoors.
- Plan the installation to use the fewest number of elbows and turns.
- When using elbows or making turns, allow as much room as possible.
- Bend vent gradually to avoid kinking.
- Use the fewest 90° turns possible.

### Determine vent length and elbows needed for best drying performance

- Use the Vent system chart below to determine type of vent material and hood combinations acceptable to use.

**NOTE:** Do not use vent runs longer than those specified in the Vent system chart. Exhaust systems longer than those specified will:

- Shorten the life of the dryer.
- Reduce performance, resulting in longer drying times and increased energy usage.

The Vent system chart provides venting requirements that will help to achieve the best drying performance.

### Vent system chart

**NOTE:** Side and bottom exhaust installations have a 90° turn inside the dryer. To determine maximum exhaust length, add one 90° turn to the chart.

Number of 90° turns or elbows	Type of vent	Box or louvered hoods	Angled hoods
0	<b>Rigid metal</b>	64 ft (20 m)	58 ft (17.7 m)
	<b>Flexible metal</b>	36 ft (11 m)	28 ft (8.5 m)
1	<b>Rigid metal</b>	54 ft (16.5 m)	48 ft (14.6 m)
	<b>Flexible metal</b>	31 ft (9.4 m)	23 ft (7 m)
2	<b>Rigid metal</b>	44 ft (13.4 m)	38 ft (11.6 m)
	<b>Flexible metal</b>	27 ft (8.2 m)	19 ft (5.8 m)
3	<b>Rigid metal</b>	35 ft (10.7 m)	29 ft (8.8 m)
	<b>Flexible metal</b>	25 ft (7.6 m)	17 ft (5.2 m)
4	<b>Rigid metal</b>	27 ft (8.2 m)	21 ft (6.4 m)
	<b>Flexible metal</b>	23 ft (7 m)	15 ft (4.6 m)

### Install Vent System

1. Install exhaust hood. Use caulking compound to seal exterior wall opening around exhaust hood.
2. Connect vent to exhaust hood. Vent must fit inside exhaust hood. Secure vent to exhaust hood with 4" (10.2 cm) clamp.
3. Run vent to dryer location. Use the straightest path possible. See "Determine vent path" in "Plan Vent System." Avoid 90° turns. Use clamps to seal all joints. Do not use duct tape, screws or other fastening devices that extend into the interior of the vent to secure vent.

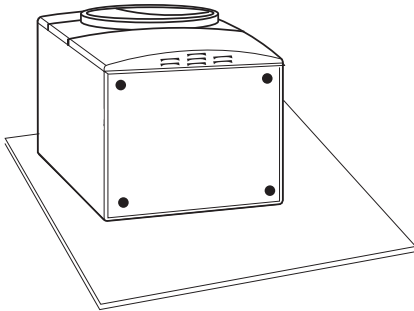
## Install Leveling Legs

### **⚠ WARNING**

#### **Excessive Weight Hazard**

**Use two or more people to move and install dryer.  
Failure to do so can result in back or other injury.**

1. To protect the floor, use a large flat piece of cardboard from the dryer carton. Place cardboard under the entire back edge of the dryer.
2. Firmly grasp the body of the dryer (not the console panel). Gently lay the dryer on the cardboard. See illustration.



3. Examine the leveling legs. Find the diamond marking.



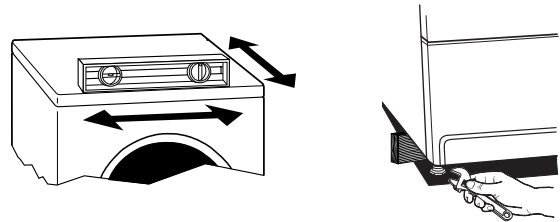
4. Screw the legs into the leg holes by hand. Use a wrench to finish turning the legs until the diamond marking is no longer visible.
5. Place a carton corner post from dryer packaging under each of the 2 dryer back corners. Stand the dryer up. Slide the dryer on the corner posts until it is close to its final location. Leave enough room to connect the exhaust vent.

## Connect Vent

1. Using a 4" (10.2 cm) clamp, connect vent to exhaust outlet in dryer. If connecting to existing vent, make sure the vent is clean. The dryer vent must fit over the dryer exhaust outlet and inside the exhaust hood. Make sure the vent is secured to exhaust hood with a 4" (10.2 cm) clamp.
2. Move dryer into its final position. Do not crush or kink vent.
3. (On gas models) Check to be sure there are no kinks in the flexible gas line.
4. Once the exhaust vent connection is made, remove the corner posts and cardboard.

## Level Dryer

Check the levelness of the dryer. Check levelness first side to side, then front to back.



If the dryer is not level, prop up the dryer using a wood block. Use a wrench to adjust the legs up or down and check again for levelness.

## Complete Installation

1. Check that all parts are now installed. If there is an extra part, go back through the steps to see which step was skipped.
2. Check that you have all of your tools.
3. Dispose of/recycle all packaging materials.
4. Check the dryer's final location. Be sure the vent is not crushed or kinked.
5. Check that the dryer is level. See "Level Dryer."
6. For power supply cord installation, plug into an outlet. For direct wire installation, turn on power.
7. Remove the blue protective film on the console and any tape remaining on the dryer.
8. Read "Dryer Use" in the Dryer User Instructions.
9. Wipe the dryer drum interior thoroughly with a damp cloth to remove any dust.
10. Set the dryer on a full heat cycle (not an air cycle) for 20 minutes and start the dryer.

### **If the dryer will not start, check the following:**

- Controls are set in a running or "On" position.
  - Start button has been pushed firmly.
  - Dryer is plugged into an outlet and/or electrical supply is on.
  - Household fuse is intact and tight, or circuit breaker has not tripped.
  - Dryer door is closed.
11. When the dryer has been running for 5 minutes, open the dryer door and feel for heat. If you feel heat, cancel cycle and close the door.

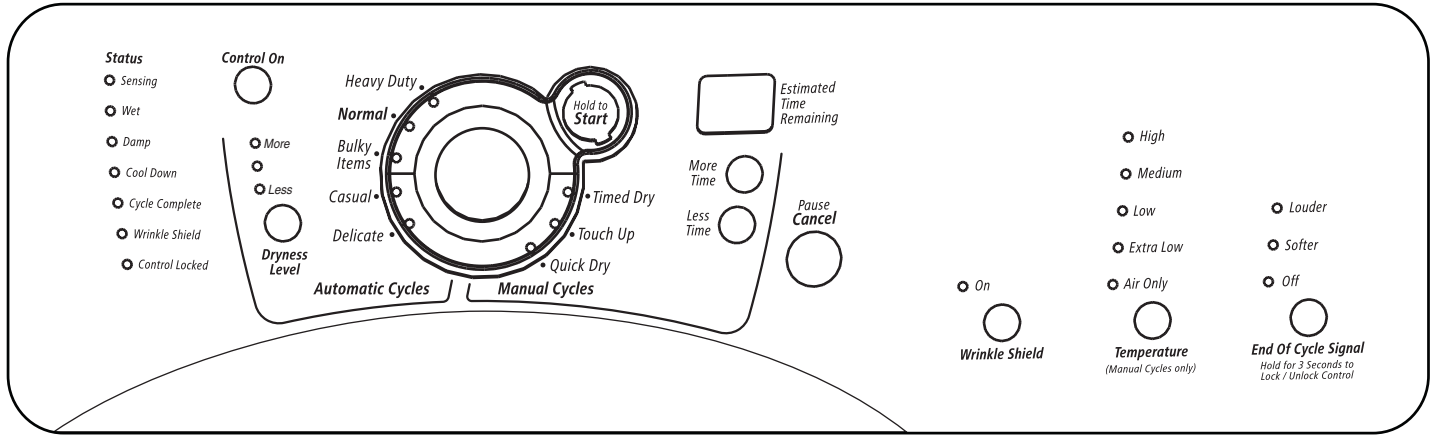
### **If you do not feel heat, turn off the dryer and check the following:**

- There may be 2 household fuses or circuit breakers for the dryer. Check to make sure both fuses are intact and tight, or that both circuit breakers have not tripped. If there is still no heat, contact a qualified technician.

**NOTE:** You may notice a burning odor when the dryer is first heated. This odor is common when the heating element is first used. The odor will go away.



# DRYER USE



## Starting Your Dryer

### ⚠ WARNING



#### Explosion Hazard

Keep flammable materials and vapors, such as gasoline, away from dryer.

Do not dry anything that has ever had anything flammable on it (even after washing).

Failure to follow these instructions can result in death, explosion, or fire.

### ⚠ WARNING



#### Fire Hazard

No washer can completely remove oil.

Do not dry anything that has ever had any type of oil on it (including cooking oils).

Items containing foam, rubber, or plastic must be dried on a clothesline or by using an Air Cycle.

Failure to follow these instructions can result in death or fire.

**WARNING:** To reduce the risk of fire, electric shock, or injury to persons, read the IMPORTANT SAFETY INSTRUCTIONS before operating this appliance.

The following is a guide to starting your dryer. Please refer to specific sections of this manual for more detailed information.

1. Clean lint screen before each load. See "Cleaning the Lint Screen."
2. Place laundry into dryer and shut door.
3. Rotate the dial to select either an Automatic or Manual Cycle then press the CONTROL ON button. The preset settings and drying time for the cycle chosen will be displayed.

#### To use an Automatic Cycle

- Point the dial to an Automatic Cycle.
- Select DRYNESS LEVEL to adjust how dry you want the load to be. The time displayed is an estimated length of the cycle based on the Dryness Level selected. As the cycle runs, the control senses the dryness of the load and adjusts the time automatically for the selected Dryness Level.

○ More

○

○ Less



**Dryness Level**

**NOTE:** Time is not adjustable for Automatic Cycles. Pressing the More Time or Less Time buttons will cause a triple beep, indicating that the time cannot be changed.

- Press the WRINKLE SHIELD™ feature button if this option is desired.
- Press the END OF CYCLE SIGNAL button to set signal volume to desired level.
- Press (and hold) HOLD TO START button until dryer starts (about 1 second).

Once an Automatic cycle has started, the WRINKLE SHIELD™ feature and cycle signals can be adjusted. Press the PAUSE/CANCEL key twice to stop the dryer and clear the settings, allowing you to select another cycle and Dryness Level.

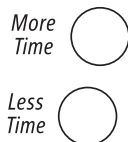
### How Automatic Cycles Work

EvenHeat™ improves drying performance with Auto Moisture Sensing Plus, which advances the cycle as moisture is extracted from clothing. A thermistor (electronic temperature sensor) and moisture sensing strips in the dryer drum help measure the amount of moisture in the clothes as they pass. An electronic control determines the load type to help save time, avoid overdrying, and increase the accuracy of the end dryness level. After the first 5 minutes of an automatic cycle, the estimated time display will adjust based on the approximate load size, cycle, dryness level selected and amount of moisture left in the clothes. When the clothes have reached approximately 80% of the dryness level selected, the estimated time display will adjust again, showing the final drying time. Auto Moisture Sensing Plus takes the guesswork out of drying time and enhances fabric care.

### To use a Manual Cycle

- Rotate the dial to select a Manual Cycle.

Press MORE TIME or LESS TIME until the desired drying time is displayed. Tap MORE TIME or LESS TIME, and the time will change by 1-minute intervals. Press and hold MORE TIME or LESS TIME, and the time will change by 5-minute intervals. The initial time displayed is the actual drying time.



**NOTE:** The More Time or Less Time feature can be used only with Manual Cycles.

- Press TEMPERATURE until the desired temperature glows.

**NOTE:** Pressing the Dryness Level button will cause the triple beep indicating that this option is not selectable. Also, a Dryness Level is not indicated.

- Press the WRINKLE SHIELD™ feature button if this option is desired.
- Press the END OF CYCLE SIGNAL button to set volume to desired level.
- Press (and hold) HOLD TO START button until dryer starts (about 1 second).

While a Manual Cycle is running, you can change the settings for Time, Temperature, the WRINKLE SHIELD™ feature and the cycle signals. Press the PAUSE/CANCEL key twice to stop the dryer and clear the settings, allowing you to select another cycle.

---

## Stopping Your Dryer

### To stop your dryer at any time

Press PAUSE/CANCEL twice or open the door.

---

## Pausing or Restarting

### To pause the dryer at any time

Open the door or press PAUSE/CANCEL once.

### To restart the dryer

Close the door and press (and hold) HOLD TO START button until dryer starts.

**NOTE:** Drying will continue from where the cycle was interrupted, if you close the door and press Start within 5 minutes. If the cycle is interrupted for more than 5 minutes, the dryer will shut off. Select new cycle settings before restarting the dryer.

---

## Control Locked

This feature allows you to lock your settings to avert unintended use of the dryer. You can also use the Control Locked feature to avert unintended cycle or option changes during dryer operation.

### To enable the Control Locked feature when dryer is running:

Press and hold the END OF CYCLE SIGNAL button for 3 seconds. The control is locked when a single beep is heard and the Control Locked status light is on.

- When the dryer is off, it is not necessary to press the Control On button before activating the Control Locked feature.

### To unlock:

Press and hold the END OF CYCLE SIGNAL button for 3 seconds to turn this feature off.

**NOTE:** When the dryer is running and Control Locked is on, the dryer can be stopped by pressing the Pause/Cancel button, but can't be restarted until the control is unlocked.

---

## Drying and Cycle Tips

Select the correct cycle and dryness level or temperature for your load. If an Automatic Cycle is running, the display shows the estimated cycle time when your dryer is automatically sensing the dryness level of your load. If a Manual Cycle is running, the display shows the exact number of minutes remaining in the cycle.

Cool Down tumbles the load without heat during the last few minutes of all cycles. Cool Down makes the loads easier to handle and reduces wrinkling. The length of the Cool Down depends on the load size and dryness level.

### Drying tips

- Follow care label directions when they are available.
- If desired, add a fabric softener sheet. Follow package instructions.
- Remove the load from the dryer as soon as tumbling stops to reduce wrinkling. This is especially important for permanent press, knits, and synthetic fabrics.
- Avoid drying heavy work clothes with lighter fabrics. This could cause overdrying of lighter fabrics, leading to increased shrinking or wrinkling.
- If you dry sheets in a mixed load or large items in the Bulky Items cycle, rearrange the load when the signal sounds. This will aid in the drying process.

## Cycle tips

- Dry most loads using the preset cycle settings.
- Refer to the Automatic or Manual Preset Cycle Settings chart (in the “Cycles” section) for a guide to drying various loads.
  - Drying temperature and Dryness Level are preset when you choose an Automatic Cycle. You can choose a different dryness level, depending on your load by pressing the DRYNESS LEVEL button to select MORE or LESS.
  - If you wish to adjust the cycle length of a Manual Cycle, you must press MORE TIME or LESS TIME. Adjust the temperature of a Manual Cycle by pressing TEMPERATURE until the desired temperature is selected.

**NOTE:** You cannot choose a Dryness Level with Manual Cycles.

## Status Lights

You may follow the progress of your dryer with the drying Status indicator lights.

### Status

- Sensing
- Wet
- Damp
- Cool Down
- Cycle Complete
- Wrinkle Shield
- Control Locked

## Sensing

When a cycle is first turned on, the Sensing light glows until a wet item is detected.

- In an Automatic Cycle, if a wet item has not been detected within 10 minutes, the Sensing light will turn off and the dryer will shut down.
- In a Manual Cycle, if a wet item is not detected after 10 minutes the Wet light turns on and the selected cycle continues.

## Wet

The Wet light will turn on when a wet item has been detected in the dryer. The Wet light will remain on until:

- The damp dry point is reached in an Automatic Cycle.
- The dryer enters the cool down period in a Manual Cycle.

## Damp

The Damp light indicates that the load has reached the damp dry level.

**NOTE:** The Damp light is not used with manual cycles.

## Cool Down

The Cool Down light glows during the cool down part of the cycle. Laundry is cooling down for ease in handling.

## Cycle Complete

This light glows when a drying cycle is finished. If the WRINKLE SHIELD™ feature has been selected, the WRINKLE SHIELD™ feature indicator light will also be on.

The Cycle Complete light turns off one hour after the end of a drying cycle (including the WRINKLE SHIELD™ cycle of 2 hours), when Pause/Cancel is pressed, or when the door is opened.

## WRINKLE SHIELD™ Feature

The WRINKLE SHIELD™ feature light glows when this option is selected. This indicator stays on with the Cycle Complete light.

## Control Locked

The Control Locked light glows when this option is enabled.

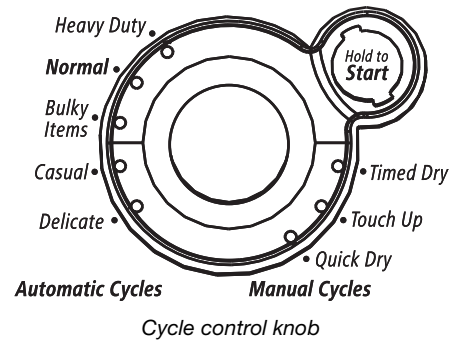
## Indicator lights

Other indicator lights on the control panel show Cycle, Temperature, and End of Cycle settings selected.

The time display will indicate the estimated or actual time remaining in a cycle.

## Cycles

Select the drying cycle that matches the type of load you are drying. See Automatic Preset or Manual Preset Cycle Settings chart.



## Automatic Cycles

Automatic Cycles allow you to match the cycle to the load you are drying. See the following Automatic Preset Cycle Settings chart. Each cycle dries certain fabrics at the recommended temperature. A sensor detects the moisture in the load and automatically adjusts the drying time for optimal drying.

### Heavy Duty

Use this cycle to get High heat for heavy fabrics such as cotton towels or bedspreads.

### Normal

Use this cycle to get Medium heat for drying sturdy fabrics such as work clothes.

### Bulky Items

Use this cycle to get Medium heat for drying large items that require very long drying times such as jackets, comforters and pillows. Rearrange the load halfway through the dryer cycle. This will aid in the drying process.

### Casual

Use this cycle to get Low heat for drying no-iron fabrics such as sport shirts, casual business clothes and permanent press blends.

### Delicate

Use this cycle to get Extra Low heat to gently dry items such as lingerie or washable knit fabrics.

## Automatic Preset Cycle Settings

Automatic Cycles Load Type	Temperature	Time* (Minutes)
<b>HEAVY DUTY</b> Heavyweight, towels	High	40
<b>NORMAL</b> Corduroys, work clothes	Medium	34
<b>BULKY ITEMS</b> Jackets, comforters, pillows	Medium	64
<b>CASUAL</b> Permanent press, synthetics	Low	36
<b>DELICATE</b> Lingerie, blouses, washable woolens	Extra Low	22

\*Estimated Time with Dryness Level (medium) setting. Time will vary depending on load type and load size.

## Manual Cycles

Use Manual Cycles to select a specific amount of drying time and a drying temperature. When a Manual Cycle is selected, the Estimated Time Remaining display shows the actual time remaining in your cycle. You can change the actual time in the cycle by pressing MORE TIME or LESS TIME.

### Timed Dry

Use this cycle to complete drying if items are still damp after an Automatic Cycle. Timed Dry is also useful for drying heavyweight and bulky items such as bedspreads and work clothes. Lightweight garments, such as exercise wear, can be dried using Timed Dry on a Low temperature setting.

### Touch Up

Use this setting to help smooth out wrinkles from such items as clothes packed in a suitcase or wrinkled from being left in the dryer too long.

### Quick Dry

Use this cycle for drying small loads or loads that need a short drying time.

## Manual Preset Cycle Settings

Manual Cycles Load Type	Temperature	Default Time (Minutes)
<b>TIMED DRY</b> Heavyweight, bulk, bedspreads, work clothes	High	40
<b>TOUCH UP</b> Helps to smooth out wrinkles	Medium	20
<b>QUICK DRY</b> Small loads	High	23

## Additional Features

### WRINKLE SHIELD™ Feature

When you are unable to remove a load of clothes from the dryer as soon as it stops, wrinkles can form. The WRINKLE SHIELD™ feature periodically tumbles, rearranges and fluffs the load to help keep wrinkles from forming.

- Press the WRINKLE SHIELD™ feature to get up to 120 minutes of heat-free, periodic tumbling at the end of a cycle.
- Stop at any time by pressing the WRINKLE SHIELD™ feature or opening the dryer door.
- For the Casual Cycle, the WRINKLE SHIELD™ feature is preset to "ON." The other Automatic Cycles will retain the WRINKLE SHIELD™ feature setting. (For example, if you select the WRINKLE SHIELD™ feature in the Normal cycle, the WRINKLE SHIELD™ feature will be on the next time you select the Normal cycle.)

**NOTE:** If you do not select the WRINKLE SHIELD™ feature, the dryer stops after the cool down period.

### Temperature

Temperature settings are used with the Manual Cycles. Press TEMPERATURE until the desired temperature setting glows. Temperature settings cannot be used with the Automatic Cycles.

High

Medium

Low

Extra Low

Air Only



**Temperature**  
(Manual Cycles only)

### Air Only

Use the Air Only setting for items that require drying without heat such as rubber, plastic and heat-sensitive fabrics. This chart shows examples of items that can be dried using Air Only.

Type of Load	Time* (Minutes)
Foam rubber - pillows, padded bras, stuffed toys	20 - 30
Plastic - Shower curtains, tablecloths	20 - 30
Rubber-backed rugs	40 - 50
Olefin, polypropylene, sheer nylon	10 - 20

\*Reset time to complete drying, if needed.

### When using Air Only

- Check to see that coverings are securely stitched.
- Shake and fluff pillows by hand periodically during the cycle.
- Dry item completely. Foam rubber pillows are slow to dry.

**NOTE:** Automatic Cycles are not available when using the Air Only setting.

## End of Cycle Signal

The End of Cycle Signal produces an audible sound when the drying cycle is finished. Promptly removing clothes at the end of the cycle reduces wrinkling.

- Louder
- Softer
- Off



**End Of Cycle Signal**  
Hold for 3 Seconds to  
Lock / Unlock Control

Press and release the END OF CYCLE SIGNAL to adjust the sound level or turn off the signal.

**NOTE:** When the WRINKLE SHIELD™ feature is selected and the End of Cycle Signal is on, an audible sound will be emitted every 5 minutes until the clothes are removed, or the WRINKLE SHIELD™ feature is finished.

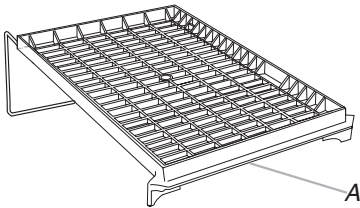
## Drying Rack

The drying rack is useful for drying items you would not necessarily want to tumble dry or that you would normally line dry (for example, sweaters).

### To use the drying rack

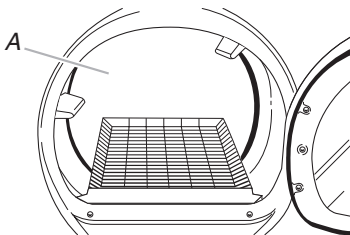
Do not remove the lint screen.

1. Open dryer door.



A. Front edge

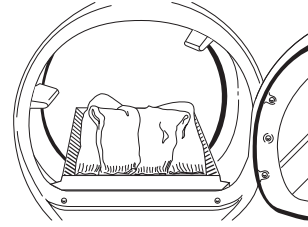
2. Place drying rack inside dryer drum, positioning the back wire on the ledge of the inner dryer back panel. Push down on front edge of drying rack to secure over the lint screen.



A. Dryer back panel

3. Put the wet items on top of the rack. Leave space between the items so air can reach all the surfaces.

**NOTE:** Do not allow items to hang over the edge of the rack.



4. Close the door.
5. Select a timed drying cycle and temperature, or an air cycle (see following chart). Items containing foam, rubber, or plastic must be dried on a clothesline or by using the Air Only temperature setting.
6. You must select a time by pressing MORE TIME or LESS TIME. Reset time as needed to complete drying. Refer to the following table.
7. Press (and hold) HOLD TO START button (about 1 second).

**NOTE:** You must remove rack for normal tumbling. Do not use automatic cycles with the drying rack.

This chart shows examples of items that can be rack dried and the suggested cycle, temperature setting and drying time. Actual drying time will depend on the amount of moisture items hold.

Rack Dry	Setting	Temp.	Time*
<b>Wool Sweaters</b> Block to shape and lay flat on the rack.	Timed Dry	Low	60
<b>Stuffed toys or pillows</b> Cotton or polyester fiber filled	Timed Dry	Low	60
<b>Stuffed toys or pillows</b> Foam rubber filled	N/A	Air Only (no heat)	90
<b>Sneakers or canvas shoes</b>	N/A	Air Only (no heat)	90

\*(Minutes) Reset time to complete drying, if needed.

# DRYER CARE

## Cleaning the Dryer Location

Keep dryer area clear and free from items that would obstruct the flow of combustion and ventilation air.

### **! WARNING**



#### **Explosion Hazard**

Keep flammable materials and vapors, such as gasoline, away from dryer.

Place dryer at least 18 inches (46 cm) above the floor for a garage installation.

Failure to do so can result in death, explosion, or fire.

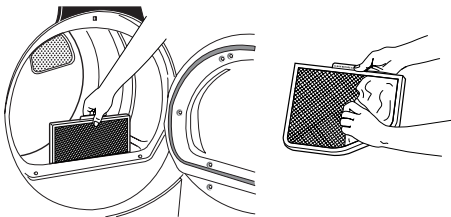
## Cleaning the Lint Screen

### Every load cleaning

The lint screen is located in the door opening of the dryer. The control panel has an indicator light to remind you to clean the lint screen before or after each load. A screen blocked by lint can increase drying time.

### To clean

1. Pull the lint screen straight up. Roll lint off the screen with your fingers. Do not rinse or wash screen to remove lint. Wet lint is hard to remove.



2. Push the lint screen firmly back into place.

### IMPORTANT:

- Do not run the dryer with the lint screen loose, damaged, blocked, or missing. Doing so can cause overheating and damage to both the dryer and fabrics.
- If lint falls off the screen into the dryer during removal, check the exhaust hood and remove the lint. See "Venting Requirements."

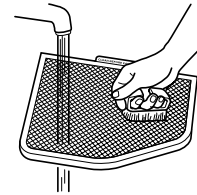
### As needed cleaning

Laundry detergent and fabric softener residue can build up on the lint screen. This buildup can cause longer drying times for your clothes, or cause the dryer to stop before your load is completely dry. The screen is probably clogged if lint falls off while the screen is in the dryer.

Clean the lint screen with a nylon brush every 6 months, or more frequently, if it becomes clogged due to a residue buildup.

### To wash

1. Roll lint off the screen with your fingers.
2. Wet both sides of lint screen with hot water.
3. Wet a nylon brush with hot water and liquid detergent. Scrub lint screen with the brush to remove residue buildup.



4. Rinse screen with hot water.
5. Thoroughly dry lint screen with a clean towel. Replace screen in dryer.

## Cleaning the Dryer Interior

### To clean dryer drum

1. Make a paste with powdered laundry detergent and very warm water.
2. Apply paste to a soft cloth.

### OR

Apply a liquid, nonflammable household cleaner to the stained area and rub with a soft cloth until all excess dye and stains are removed.

3. Wipe drum thoroughly with a damp cloth.
4. Tumble a load of clean cloths or towels to dry drum.

**NOTE:** Garments that contain unstable dyes, such as denim blue jeans or brightly colored cotton items, may discolor the dryer interior. These stains are not harmful to your dryer and will not stain future loads of clothes. Dry unstable dye items inside out to avoid dye transfer.

## Removing Accumulated Lint

### From Inside the Dryer Cabinet

Lint should be removed every 2 years, or more often, depending on dryer usage. Cleaning should be done by a qualified person.

### From the Exhaust Vent

Lint should be removed every 2 years, or more often, depending on dryer usage.

---

## Vacation and Moving Care

---

### Vacation care

---

Operate your dryer only when you are at home. If you will be on vacation or not using your dryer for an extended period of time, you should:

1. Unplug dryer or disconnect power.
  2. Clean lint screen. See "Cleaning the Lint Screen."
- 

### Moving care

---

#### For power supply cord-connected dryers:

1. Unplug the power supply cord.
2. Make sure leveling legs are secure in dryer base.
3. Use masking tape to secure dryer door.

## **⚠ WARNING**



### Electrical Shock Hazard

Disconnect power before servicing.

Replace all parts and panels before operating.

Failure to do so can result in death or electrical shock.

#### For direct-wired dryers:

1. Disconnect power.
2. Disconnect wiring.
3. Make sure leveling legs are secure in dryer base.
4. Use masking tape to secure dryer door.

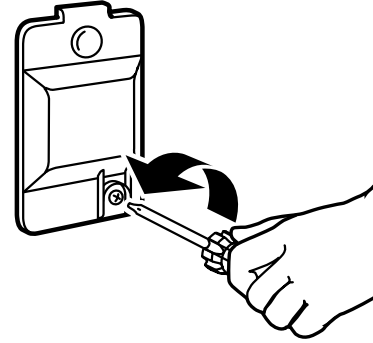
---

## Changing the Drum Light

The dryer light automatically turns on inside the dryer drum when you open the door.

### To change the drum light

1. Unplug dryer or disconnect power.
2. Open the dryer door. Locate the light bulb cover on the back wall of the dryer. Remove the screw located in the lower right corner of the cover. Remove the cover.



3. Turn bulb counterclockwise. Replace the bulb with a 10-watt appliance bulb only. Replace the cover and secure with the screw.
4. Plug in dryer or reconnect power.

# TROUBLESHOOTING

First try the solutions suggested here and possibly avoid the cost of a service call...

## Dryer Operation

### Dryer will not run

- **Has a household fuse blown, or has a circuit breaker tripped?**  
There may be 2 household fuses or circuit breakers for the dryer. Check to make sure both fuses are intact and tight, or that both circuit breakers have not tripped. Replace the fuse or reset the circuit breaker. If the problem continues, call an electrician.
- **Is the correct power supply available?**  
Electric dryers require 240-volt power supply. Check with a qualified electrician.
- **Was a regular fuse used?**  
Use a time-delay fuse.
- **Is the dryer door firmly closed?**
- **Was the Start button firmly pressed?**  
Large loads may require pressing and holding the Start button for 2-5 seconds.

### No heat

- **Has a household fuse blown, or has a circuit breaker tripped?**  
The drum may be turning, but you may not have heat. Electric dryers use 2 household fuses or circuit breakers. Replace the fuse or reset the circuit breaker. If the problem continues, call an electrician.

### Unusual sounds

- **Has the dryer had a period of non-use?**  
If the dryer hasn't been used for a while, there may be a thumping sound during the first few minutes of operation.
- **Is a coin, button, or paper clip caught between the drum and front or rear of the dryer?**  
Check the front and rear edges of the drum for small objects. Clean out pockets before laundering.
- **Are the four legs installed, and is the dryer level front to back and side to side?**  
The dryer may vibrate if not properly installed. See the Installation Instructions.
- **Is the clothing knotted or balled up?**  
When balled up, the load will bounce, causing the dryer to vibrate. Separate the load items and restart the dryer.

### Dryer displaying code message

- **"PF" (power failure), check the following:**  
Was the drying cycle interrupted by a power failure?  
Press and hold START to restart the dryer.
- **"E" Variable (E1, E2, E3) service codes:**  
Call for service.

## Dryer Results

### Clothes are not drying satisfactorily, drying times are too long, or load is too hot

- **Is the lint screen clogged with lint?**  
Lint screen should be cleaned before each load.

## ! WARNING



### Fire Hazard

- Use a heavy metal vent.
- Do not use a plastic vent.
- Do not use a metal foil vent.
- Failure to follow these instructions can result in death or fire.

- **Is the exhaust vent or outside exhaust hood clogged with lint, restricting air movement?**  
Run the dryer for 5-10 minutes. Hold your hand under the outside exhaust hood to check air movement. If you do not feel air movement, clean exhaust system of lint or replace exhaust vent with heavy metal or flexible metal vent. See the Installation Instructions.
- **Are fabric softener sheets blocking the grille?**  
Use only one fabric softener sheet, and use it only once.
- **Is the exhaust vent the correct length?**  
Check that the exhaust vent is not too long or has too many turns. Long venting will increase drying times. See the Installation Instructions.
- **Is the exhaust vent diameter the correct size?**  
Use 4" (10.2 cm) diameter vent material.



## **⚠ WARNING**



### **Explosion Hazard**

**Keep flammable materials and vapors, such as gasoline, away from dryer.**

**Place dryer at least 18 inches (46 cm) above the floor for a garage installation.**

**Failure to do so can result in death, explosion, or fire.**

- **Is the dryer located in a room with temperature below 45°F (7°C)?**  
Proper operation of dryer cycles requires temperatures above 45°F (7°C).
- **Is the dryer located in a closet?**  
Closet doors must have ventilation openings at the top and bottom of the door. The front of the dryer requires a minimum of 1" (2.5 cm) of airspace, and, for most installations, the rear of the dryer requires 5½" (14 cm). See the Installation Instructions.
- **Has an air dry cycle been selected?**  
Select the right cycle for the types of garments being dried. See "Cycles."
- **Is the load too large and heavy to dry quickly?**  
Separate the load to tumble freely.

### **Cycle time too short**

## **⚠ WARNING**

### **Excessive Weight Hazard**

**Use two or more people to move and install dryer.**

**Failure to do so can result in back or other injury.**

- **Is the automatic cycle ending early?**  
The load may not be contacting the sensor strips. Level the dryer.  
  
Change the dryness level setting on Automatic Cycles. Increasing or decreasing the dryness level will change the amount of drying time in a cycle.

### **Lint on load**

- **Is the lint screen clogged?**  
Clean lint screen. Check for air movement.

### **Stains on load or drum**

- **Was dryer fabric softener properly used?**  
Add dryer fabric softener sheets at the beginning of the cycle. Fabric softener sheets added to a partially dried load can stain your garments.  
  
Drum stains are caused by dyes in clothing (usually blue jeans). This will not transfer to other clothing.

### **Loads are wrinkled**

- **Was the load removed from dryer at the end of the cycle?**
- **Was the dryer overloaded?**  
Dry smaller loads that can tumble freely.

### **Odors**

- **Have you recently been painting, staining or varnishing in the area where your dryer is located?**  
If so, ventilate the area. When the odors or fumes are gone from the area, rewash and dry the clothing.
- **Is the dryer being used for the first time?**  
The new electric heating element may have an odor. The odor will be gone after the first cycle.

---

# ASSISTANCE OR SERVICE

Before calling for assistance or service, please check "Troubleshooting." It may save you the cost of a service call. If you still need help, follow the instructions below.

When calling, please know the purchase date and the complete model and serial number of your appliance. This information will help us to better respond to your request.

## If you need replacement parts

If you need to order replacement parts, we recommend that you use only FSP® factory specified parts. These parts will fit right and work right because they are made with the same precision used to build every new WHIRLPOOL® appliance. To locate FSP® replacement parts in your area, call our Customer eXperience Center telephone number or your nearest designated service center.

## For assistance and service

Call the Whirlpool Customer eXperience Center toll free: **1-800-253-1301**.

## Our consultants provide assistance with:

- Features and specifications on our full line of appliances
- Installation information
- Use and maintenance procedures
- Accessory and repair parts sales
- Specialized customer assistance (Spanish speaking, hearing impaired, limited vision, etc.)
- Referrals to local dealers, repair parts distributors, and service companies

Whirlpool designated service technicians are trained to fulfill the product warranty and provide after-warranty service, anywhere in the United States.

To locate the Whirlpool designated service company in your area, you can also look in your telephone directory Yellow Pages.

## For further assistance

If you need further assistance, you can write to Whirlpool Corporation with any questions or concerns at:

Whirlpool Corporation  
Customer eXperience Center  
553 Benson Road  
Benton Harbor, MI 49022-2692

Please include a daytime phone number in your correspondence.

## Accessories U.S.A.

To order accessories, call the Whirlpool Customer eXperience Center toll free at **1-800-442-9991** and follow the menu prompts. Or visit our website at **[www.whirlpool.com](http://www.whirlpool.com)**.

---

# Notes

---

# WHIRLPOOL CORPORATION MAJOR APPLIANCE WARRANTY

---

## ONE YEAR LIMITED WARRANTY

For one year from the date of purchase, when this major appliance is operated and maintained according to instructions attached to or furnished with the product, Whirlpool Corporation or Whirlpool Canada LP (hereafter "Whirlpool") will pay for FSP<sup>®</sup> replacement parts and repair labor to correct defects in materials or workmanship. Service must be provided by a Whirlpool designated service company.

---

### ITEMS WHIRLPOOL WILL NOT PAY FOR

1. Service calls to correct the installation of your major appliance, to instruct you how to use your major appliance, to replace or repair house fuses or to correct house wiring or plumbing.
  2. Service calls to repair or replace appliance light bulbs, air filters or water filters. Those consumable parts are excluded from warranty coverage.
  3. Repairs when your major appliance is used for other than normal, single-family household use.
  4. Damage resulting from accident, alteration, misuse, abuse, fire, flood, acts of God, improper installation, installation not in accordance with electrical or plumbing codes, or use of products not approved by Whirlpool.
  5. Any food loss due to refrigerator or freezer product failures.
  6. Replacement parts or repair labor costs for units operated outside the United States or Canada.
  7. Pickup and delivery. This major appliance is designed to be repaired in the home.
  8. Repairs to parts or systems resulting from unauthorized modifications made to the appliance.
  9. Expenses for travel and transportation for product service in remote locations.
  10. The removal and reinstallation of your appliance if it is installed in an inaccessible location or is not installed in accordance with published installation instructions.
- 

### DISCLAIMER OF IMPLIED WARRANTIES; LIMITATION OF REMEDIES

CUSTOMER'S SOLE AND EXCLUSIVE REMEDY UNDER THIS LIMITED WARRANTY SHALL BE PRODUCT REPAIR AS PROVIDED HEREIN. IMPLIED WARRANTIES, INCLUDING WARRANTIES OF MERCHANTABILITY OR FITNESS FOR A PARTICULAR PURPOSE, ARE LIMITED TO ONE YEAR OR THE SHORTEST PERIOD ALLOWED BY LAW. WHIRLPOOL SHALL NOT BE LIABLE FOR INCIDENTAL OR CONSEQUENTIAL DAMAGES. SOME STATES AND PROVINCES DO NOT ALLOW THE EXCLUSION OR LIMITATION OF INCIDENTAL OR CONSEQUENTIAL DAMAGES, OR LIMITATIONS ON THE DURATION OF IMPLIED WARRANTIES OF MERCHANTABILITY OR FITNESS, SO THESE EXCLUSIONS OR LIMITATIONS MAY NOT APPLY TO YOU. THIS WARRANTY GIVES YOU SPECIFIC LEGAL RIGHTS AND YOU MAY ALSO HAVE OTHER RIGHTS, WHICH VARY FROM STATE TO STATE OR PROVINCE TO PROVINCE.

---

Outside the 50 United States and Canada, this warranty does not apply. Contact your authorized Whirlpool dealer to determine if another warranty applies.

If you need service, first see the "Troubleshooting" section of the Use & Care Guide. After checking "Troubleshooting," additional help can be found by checking the "Assistance or Service" section or by calling Whirlpool. In the U.S.A., call **1-800-253-1301**. In Canada, call **1-800-807-6777**. 8/05

---

**Keep this book and your sales slip together for future reference. You must provide proof of purchase or installation date for in-warranty service.**

Write down the following information about your dryer to better help you obtain assistance or service if you ever need it. You will need to know your complete model number and serial number. You can find this information on the model and serial number label, located at the top inside dryer door well.

Dealer name \_\_\_\_\_  
Address \_\_\_\_\_  
Phone number \_\_\_\_\_  
Model number \_\_\_\_\_  
Serial number \_\_\_\_\_  
Purchase date \_\_\_\_\_

8578185

© 2005 Whirlpool Corporation.  
All rights reserved.

© Registered Trademark/TM Trademark of Whirlpool, U.S.A.

9/05  
Printed in U.S.A.

## Free Manuals Download Website

<http://myh66.com>

<http://usermanuals.us>

<http://www.somanuals.com>

<http://www.4manuals.cc>

<http://www.manual-lib.com>

<http://www.404manual.com>

<http://www.luxmanual.com>

<http://aubethermostatmanual.com>

Golf course search by state

<http://golfingnear.com>

Email search by domain

<http://emailbydomain.com>

Auto manuals search

<http://auto.somanuals.com>

TV manuals search

<http://tv.somanuals.com>