



**duet**  
sport™

---

## **ELECTRONIC ELECTRIC DRYER**

### **Use & Care Guide**

For assistance, installation and service call: **1-800-807-6777**

or visit our website at... [www.whirlpool.ca](http://www.whirlpool.ca)

---

## **SÉCHEUSE ÉLECTRIQUE ÉLECTRONIQUE**

### **Guide d'utilisation et d'entretien**

Pour assistance, installation ou service, composez le  
**1-800-807-6777**

ou visitez notre site web à [www.whirlpool.ca](http://www.whirlpool.ca)

---

Table of Contents/Table des matières..... 2

---

# TABLE OF CONTENTS

<b>DRYER SAFETY</b> .....	<b>3</b>	Lock Controls .....	14
<b>INSTALLATION INSTRUCTIONS</b> .....	<b>4</b>	Drying and Cycle Tips .....	14
Tools and Parts .....	4	Status Lights.....	14
Optional Pedestal.....	4	Cycles .....	15
Location Requirements .....	5	Additional Features .....	16
Electrical Requirements .....	7	Changing Cycles, Options and Modifiers .....	16
Venting Requirements.....	7	Drying Rack Option .....	17
Plan Vent System.....	9	<b>DRYER CARE</b> .....	<b>17</b>
Install Vent System.....	10	Cleaning the Dryer Location.....	17
Install Leveling Legs .....	10	Cleaning the Lint Screen .....	18
Connect Vent.....	10	Cleaning the Dryer Interior .....	18
Level Dryer .....	11	Removing Accumulated Lint.....	18
Reverse Door Swing .....	11	Vacation and Moving Care.....	18
Complete Installation .....	12	<b>TROUBLESHOOTING</b> .....	<b>19</b>
<b>DRYER USE</b> .....	<b>13</b>	<b>ASSISTANCE OR SERVICE</b> .....	<b>20</b>
Starting Your Dryer.....	13	<b>WARRANTY</b> .....	<b>21</b>
Stopping or Restarting Your Dryer .....	14		

# TABLE DES MATIÈRES

<b>SÉCURITÉ DE LA SÈCHEUSE</b> .....	<b>23</b>	Verrouillage des commandes.....	34
<b>INSTRUCTIONS D'INSTALLATION</b> .....	<b>24</b>	Conseils pour le séchage et les programmes .....	34
Outils et pièces.....	24	Témoins lumineux .....	35
Piédestal facultatif.....	24	Programmes.....	35
Exigences d'emplacement.....	25	Caractéristiques supplémentaires .....	36
Spécifications électriques .....	27	Changement des programmes, options et modificateurs.....	37
Exigences concernant l'évacuation .....	27	Option de grille de séchage .....	37
Planification du système d'évacuation .....	29	<b>ENTRETIEN DE LA SÈCHEUSE</b> .....	<b>38</b>
Installation du système d'évacuation .....	30	Nettoyage de l'emplacement de la sècheuse .....	38
Installation des pieds de nivellement.....	30	Nettoyage du filtre à charpie.....	38
Raccordement du conduit d'évacuation .....	30	Nettoyage de l'intérieur de la sècheuse.....	39
Mise à niveau de la sècheuse .....	31	Retrait de la charpie accumulée .....	39
Inversion du sens d'ouverture de la porte .....	31	Précautions à prendre pour les vacances et avant un déménagement .....	39
Achever l'installation .....	32	<b>DÉPANNAGE</b> .....	<b>40</b>
<b>UTILISATION DE LA SÈCHEUSE</b> .....	<b>33</b>	<b>ASSISTANCE OU SERVICE</b> .....	<b>42</b>
Mise en marche de la sècheuse .....	33	<b>GARANTIE</b> .....	<b>43</b>
Arrêt ou remise en marche de la sècheuse .....	34		

# DRYER SAFETY

## Your safety and the safety of others are very important.

We have provided many important safety messages in this manual and on your appliance. Always read and obey all safety messages.



This is the safety alert symbol.

This symbol alerts you to potential hazards that can kill or hurt you and others.

All safety messages will follow the safety alert symbol and either the word "DANGER" or "WARNING."

These words mean:

**⚠ DANGER**

**You can be killed or seriously injured if you don't immediately follow instructions.**

**⚠ WARNING**

**You can be killed or seriously injured if you don't follow instructions.**

All safety messages will tell you what the potential hazard is, tell you how to reduce the chance of injury, and tell you what can happen if the instructions are not followed.

## IMPORTANT SAFETY INSTRUCTIONS

**WARNING:** To reduce the risk of fire, electric shock, or injury to persons when using the dryer, follow basic precautions, including the following:

- Read all instructions before using the dryer.
- Do not place items exposed to cooking oils in your dryer. Items contaminated with cooking oils may contribute to a chemical reaction that could cause a load to catch fire.
- Do not dry articles that have been previously cleaned in, washed in, soaked in, or spotted with gasoline, dry-cleaning solvents, or other flammable or explosive substances as they give off vapors that could ignite or explode.
- Do not allow children to play on or in the dryer. Close supervision of children is necessary when the dryer is used near children.
- Before the dryer is removed from service or discarded, remove the door to the drying compartment.
- Do not reach into the dryer if the drum is moving.
- Do not install or store the dryer where it will be exposed to the weather.
- Do not tamper with controls.
- Do not repair or replace any part of the dryer or attempt any servicing unless specifically recommended in this Use and Care Guide or in published user-repair instructions that you understand and have the skills to carry out.
- Do not use fabric softeners or products to eliminate static unless recommended by the manufacturer of the fabric softener or product.
- Do not use heat to dry articles containing foam rubber or similarly textured rubber-like materials.
- Clean lint screen before or after each load.
- Keep area around the exhaust opening and adjacent surrounding areas free from the accumulation of lint, dust, and dirt.
- The interior of the dryer and exhaust vent should be cleaned periodically by qualified service personnel.
- See installation instructions for grounding requirements.

**SAVE THESE INSTRUCTIONS**

# INSTALLATION INSTRUCTIONS

## Tools and Parts

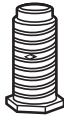
Gather the required tools and parts before starting installation. Read and follow the instructions provided with any tools listed here.

- Flat-blade screwdriver
- #2 Phillips screwdriver
- Adjustable wrench that opens to 1" (2.54 cm) or hex-head socket wrench (for adjusting dryer feet)
- Level
- Vent clamps
- Caulking gun and compound (for installing new exhaust vent)
- Tin snips (new vent installations)
- ¼" nut driver or socket wrench (recommended)
- Tape measure

## Parts supplied

Remove parts packages from dryer drum. Check that all parts are included.

- Parts package.



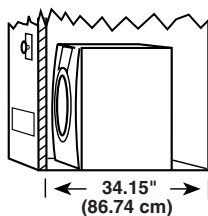
4 Leveling legs

**NOTE:** Do not use leveling legs if installing the dryer on a pedestal.

## Parts needed

Check local codes. Check existing electrical supply and venting. See "Electrical Requirements" and "Venting Requirements" before purchasing parts.

- For close-clearance installations between 28.65" (72.77 cm) and 34.15" (86.74 cm), see "Plan Vent System" section for venting requirements.

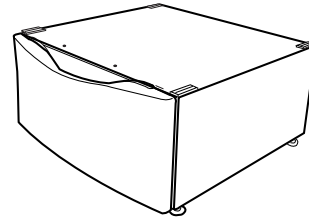


Mobile home installations require metal exhaust system hardware available for purchase from the dealer from whom you purchased your dryer. For further information, please refer to the "Assistance or Service" section of this manual.

## Optional Pedestal

Are you placing the dryer on a pedestal? You have the option of purchasing pedestals of different heights separately for this dryer. You may select a 10" (25.4 cm) pedestal or a 15.5" (39.4 cm) pedestal with a shelf and bin dividers. These pedestals will add to the total height of the unit for a total height of approximately 46" (116.8 cm) or 51.5" (130.8 cm).

For a garage installation, you will need to place the dryer at least 18" (46 cm) above the floor.



Optional pedestal (15.5" [39.4 cm] model shown)

To order, call the dealer from whom you purchased your dryer or refer to the "Assistance or Service" section of this manual.

Pedestal Height	Color	Part Number
10" (25.4 cm)	White	WHP1000SQ
15.5" (39.4 cm) with shelf and bin dividers	White	WHP1500SQ

## Drying Rack

To order a drying rack, call the dealer from whom you purchased your dryer or refer to the "Assistance or Service" section of this manual. Ask for Part Number 8563738. For more information, see "Drying Rack."

## Stack Kit

Are you planning to stack your DUET SPORT™ washer and dryer? To do so, you will need to purchase a Stack Kit.

To order, call the dealer from whom you purchased your dryer or refer to the "Assistance or Service" section of this manual. Ask for Part Number 8572546.

## Location Requirements

### **! WARNING**



#### Explosion Hazard

Keep flammable materials and vapors, such as gasoline, away from dryer.

Place dryer at least 18 inches (46 cm) above the floor for a garage installation.

Failure to do so can result in death, explosion, or fire.

#### You will need

- A location that allows for proper exhaust installation. See "Venting Requirements."
- A separate 30-amp circuit.
- A grounded electrical outlet located within 2 ft (61 cm) of either side of the dryer.
- A sturdy floor to support the total dryer weight of 127 lbs (57.6 kg). The combined weight of a companion appliance should also be considered.
- A level floor with a maximum slope of 1" (2.5 cm) under entire dryer. (If slope is greater than 1" [2.5 cm], install Extended Dryer Feet Kit, Part No. 279810.) Clothes may not tumble properly and automatic sensor cycles may not operate correctly if dryer is not level.
- For a garage installation, you will need to place the dryer at least 18" (46 cm) above the floor. If using a pedestal, you will need 18" (46 cm) to the bottom of the dryer.

Do not operate your dryer at temperatures below 45°F (7°C). At lower temperatures, the dryer might not shut off at the end of an automatic cycle. Drying times can be extended.

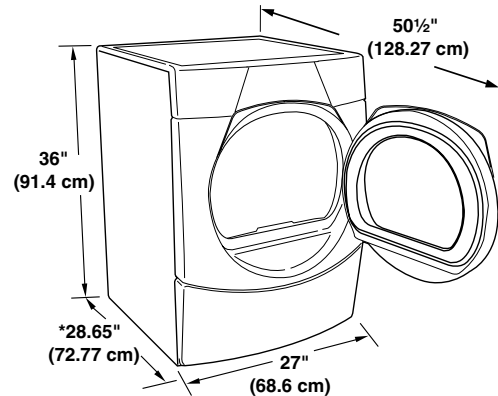
The dryer must not be installed or stored in an area where it will be exposed to water and/or weather.

Check code requirements. Some codes limit, or do not permit, installation of the dryer in garages, closets, mobile homes or sleeping quarters. Contact your local building inspector.

#### Installation clearances

The location must be large enough to allow the dryer door to open fully.

#### Dryer Dimensions



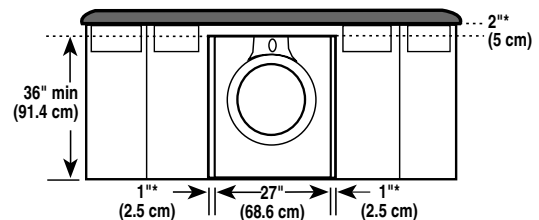
\*Most installations require a minimum 5" (12.7 cm) clearance behind the dryer for the exhaust vent with elbow. See "Venting Requirements."

#### Installation spacing for recessed area or closet installation

The following spacing dimensions are recommended for this dryer. This dryer has been tested for spacing of 0" (0 cm) clearance on the sides and rear. Recommended spacing should be considered for the following reasons:

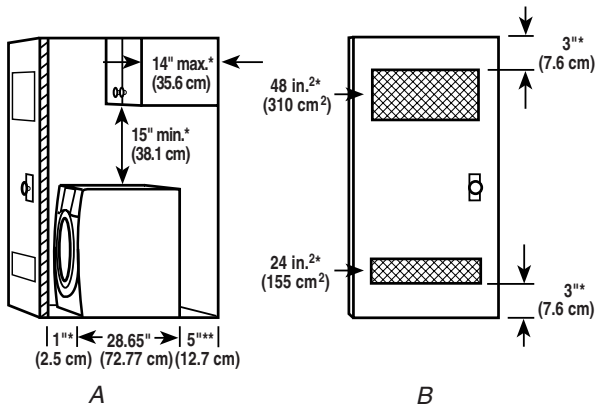
- Additional spacing should be considered for ease of installation and servicing.
- Additional clearances might be required for wall, door and floor moldings.
- Additional spacing should be considered on all sides of the dryer to reduce noise transfer.
- For closet installation, with a door, minimum ventilation openings in the top and bottom of the door are required. Louvered doors with equivalent ventilation openings are acceptable.
- Companion appliance spacing should also be considered.

#### Custom undercounter installation - Dryer only



\*Required spacing

## Closet installation - Dryer only

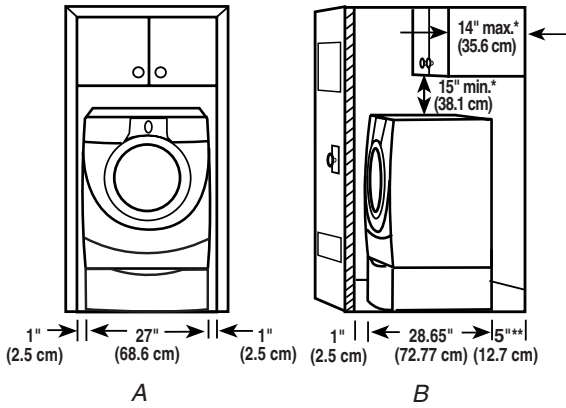


A. Side view - closet or confined area  
B. Closet door with vents

\*Required spacing

\*\*For side or bottom venting, 0" (0 cm) spacing is allowed.

## Recessed or closet installation - Dryer on pedestal



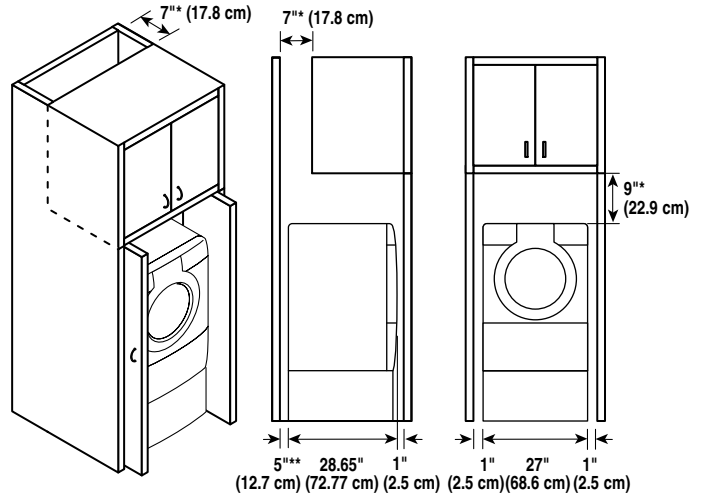
A. Recessed area  
B. Side view - closet or confined area

\*Required spacing

\*\*For side or bottom venting, 0" (0 cm) spacing is allowed.

## Installation spacing for cabinet installation

- The dimensions shown are for the recommended spacing.
- For cabinet installation, with a door, minimum ventilation openings in the top of the cabinet are required.

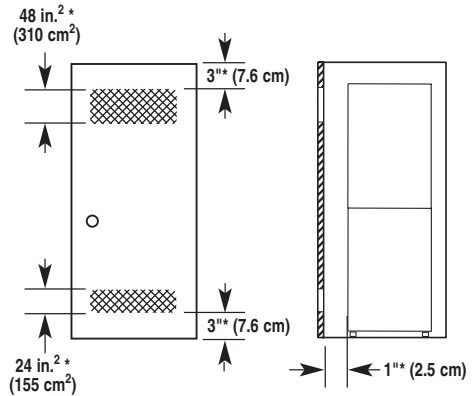


\*Required spacing

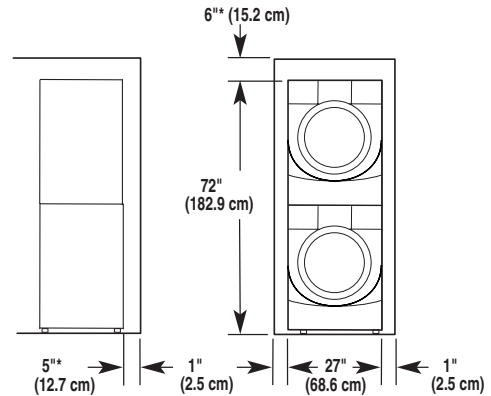
\*\*For side or bottom venting, 0" (0 cm) spacing is allowed.

## Recommended installation spacing for recessed or closet installation, with stacked washer and dryer

The dimensions shown are for the recommended spacing.



\*Required spacing



\*Required spacing

### Mobile home - additional installation requirements

This dryer is suitable for mobile home installations. The installation must conform to the Canadian Manufactured Home Standard, CAN/CSA Z240 MH.

#### Mobile home installations require:

- Metal exhaust system hardware, which is available for purchase from your dealer.
- Special provisions must be made in mobile homes to introduce outside air into the dryer. The opening (such as a nearby window) should be at least twice as large as the dryer exhaust opening.

### Electrical Requirements

#### **⚠ WARNING**



#### Electrical Shock Hazard

Plug into a grounded 4 prong outlet.

Failure to do so can result in death or electrical shock.

#### It is your responsibility

- To contact a qualified electrical installer.
- To be sure that the electrical connection is adequate and in conformance with the Canadian Electrical Code, C22.1-latest edition and all local codes. A copy of the above codes standard may be obtained from: Canadian Standards Association, 178 Rexdale Blvd., Toronto, ON M9W 1R3 CANADA.
- To supply the required 4 wire, single phase, 120/240 volt, 60 Hz., AC only electrical supply on a separate 30-amp circuit, fused on both sides of the line. A time-delay fuse or circuit breaker is recommended. Connect to an individual branch circuit.
- This dryer is equipped with a CSA International Certified Power Cord intended to be plugged into a standard 14-30R wall receptacle. The cord is 5 ft (1.52 m) in length. Be sure wall receptacle is within reach of dryer's final location.



4-wire receptacle 14-30R

If using a replacement power supply cord, it is recommended that you use Power Supply Cord Replacement Part Number 9831317. For further information, please reference the service numbers located in the "Assistance or Service" section of this manual.

### GROUNDING INSTRUCTIONS

- For a grounded, cord-connected dryer:  
This dryer must be grounded. In the event of malfunction or breakdown, grounding will reduce the risk of electric shock by providing a path of least resistance for electric current. This dryer is equipped with a cord having an equipment-grounding conductor and a grounding plug. The plug must be plugged into an appropriate outlet that is properly installed and grounded in accordance with all local codes and ordinances.

**WARNING:** Improper connection of the equipment-grounding conductor can result in a risk of electric shock. Check with a qualified electrician or service representative or personnel if you are in doubt as to whether the dryer is properly grounded. Do not modify the plug provided with the dryer: if it will not fit the outlet, have a proper outlet installed by a qualified electrician.

**SAVE THESE INSTRUCTIONS**

### Venting Requirements

#### **⚠ WARNING**



#### Fire Hazard

Use a heavy metal vent.

Do not use a plastic vent.

Do not use a metal foil vent.

Failure to follow these instructions can result in death or fire.

**WARNING:** To reduce the risk of fire, this dryer MUST BE EXHAUSTED OUTDOORS.

**IMPORTANT:** Observe all governing codes and ordinances.

The dryer exhaust must not be connected into any gas vent, chimney, wall, ceiling or a concealed space of a building.

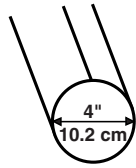
#### If using an existing vent system

- Clean lint from the entire length of the system and make sure exhaust hood is not plugged with lint.
- Replace any plastic or metal foil vent with rigid or flexible heavy metal vent.
- Review Vent system chart. Modify existing vent system if necessary to achieve the best drying performance.

## If this is a new vent system

### Vent material

- Use a heavy metal vent. Do not use plastic or metal foil vent.
- 4" (10.2 cm) heavy metal exhaust vent and clamps must be used. DURASAFE™ venting products are recommended.



4" (10.2 cm) heavy metal exhaust vent

DURASAFE™ vent products can be purchased from your dealer or by calling Whirlpool Parts and Accessories. For more information, see the "Assistance or Service" section of this manual.

### Rigid metal vent

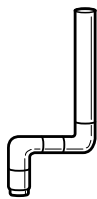
- For best drying performance, rigid metal vents are recommended.
- Rigid metal vent is recommended to avoid crushing and kinking.

### Flexible metal vent

- Flexible metal vents are acceptable only if accessible for cleaning.
- Flexible metal vent must be fully extended and supported when the dryer is in its final location.
- Remove excess flexible metal vent to avoid sagging and kinking that may result in reduced airflow and poor performance.
- Do not install flexible metal vent in enclosed walls, ceilings or floors.

### Elbows

45° elbows provide better airflow than 90° elbows.



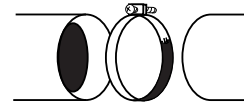
Good



Better

### Clamps

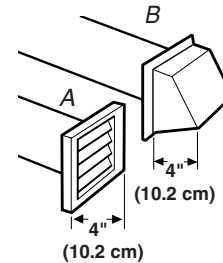
- Use clamps to seal all joints.
- Exhaust vent must not be connected or secured with screws or other fastening devices that extend into the interior of the duct. Do not use duct tape.



Clamp

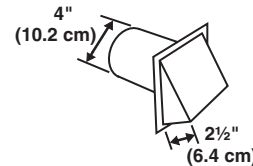
### Exhaust

Recommended hood styles are shown here.



A. Louvered hood style  
B. Box hood style

The angled hood style (shown here) is acceptable.



- An exhaust hood should cap the vent to keep rodents and insects from entering the home.
- Exhaust hood must be at least 12" (30.5 cm) from the ground or any object that may be in the path of the exhaust (such as flowers, rocks or bushes, snow line, etc.).
- Do not use an exhaust hood with a magnetic latch.

### Improper venting can cause moisture and lint to collect indoors, which may result in:

- Moisture damage to woodwork, furniture, paint, wallpaper, carpets, etc.
- Housecleaning problems and health problems.

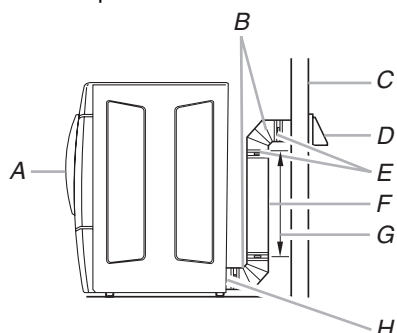


## Plan Vent System

### Choose your exhaust installation type

#### Recommended exhaust installations

Typical installations vent the dryer from the rear of the dryer. Other installations are possible.



- A. Dryer
- B. Elbow
- C. Wall
- D. Exhaust hood
- E. Clamps
- F. Rigid metal or flexible metal vent
- G. Vent length necessary to connect elbows
- H. Exhaust outlet

#### Optional exhaust installations

### ! WARNING



#### Fire Hazard

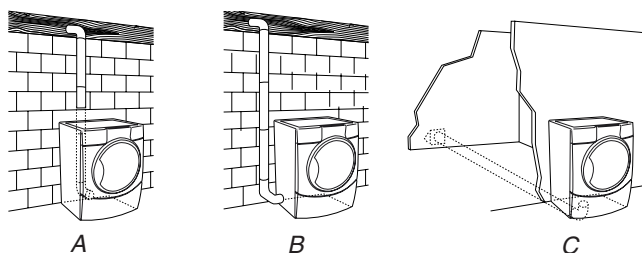
Cover unused exhaust holes with the following kit:

279818 (white)

Contact your local dealer.

Failure to follow these instructions can result in death, fire, electrical shock, or serious injury.

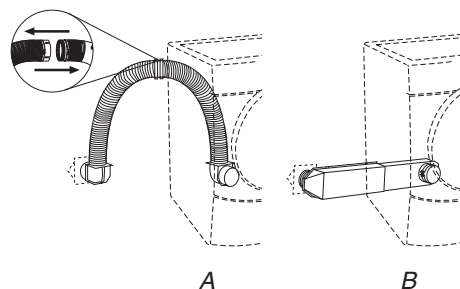
This dryer can be converted to exhaust out the right side, left side, or through the bottom. Contact your local dealer to have the dryer converted.



- A. Standard rear offset exhaust installation
- B. Left or right side exhaust installation
- C. Bottom exhaust installation (not an option with pedestal installations)

#### Alternate installations for close clearances

Venting systems come in many varieties. Select the type best for your installation. Two close-clearance installations are shown. Refer to the manufacturer's instructions.



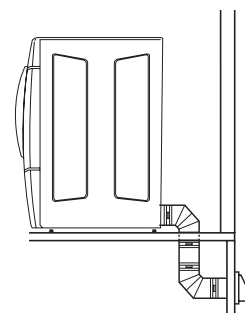
- A. Over-the-top installation (also available with one offset elbow)
- B. Periscope installation

**NOTE:** The following kits for close clearance alternate installations are available for purchase. Please see the "Assistance or Service" section of this manual to order.

- Over-the-Top Installation:  
Part Number 4396028
- Periscope Installation (For use with dryer vent to wall vent mismatch):  
Part Number 4396037 - 0" (0 cm) to 18" (45.72 cm) mismatch  
Part Number 4396011 - 18" (45.72 cm) to 29" (73.66 cm) mismatch  
Part Number 4396014 - 29" (73.66 cm) to 50" (127 cm) mismatch

#### Special provisions for mobile home installations

The exhaust vent must be securely fastened to a noncombustible portion of the mobile home structure and must not terminate beneath the mobile home. Terminate the exhaust vent outside.



#### Determine vent path

- Select the route that will provide the straightest and most direct path outdoors.
- Plan the installation to use the fewest number of elbows and turns.
- When using elbows or making turns, allow as much room as possible.
- Bend vent gradually to avoid kinking.
- Use the fewest 90° turns possible.

## Determine vent length and elbows needed for best drying performance

- Use the following Vent system chart to determine type of vent material and hood combinations acceptable to use.

**NOTE:** Do not use vent runs longer than those specified in the Vent system chart. Exhaust systems longer than those specified will:

- Shorten the life of the dryer.
- Reduce performance, resulting in longer drying times and increased energy usage.

The Vent system chart provides venting requirements that will help to achieve the best drying performance.

### Vent system chart

**NOTE:** Side and bottom exhaust installations have a 90° turn inside the dryer. To determine maximum exhaust length, add one 90° turn to the chart.

Number of 90° turns or elbows	Type of vent	Box or louvered hoods	Angled hoods
0	<b>Rigid metal</b>	64 ft (20 m)	58 ft (17.7 m)
	<b>Flexible metal</b>	36 ft (11 m)	28 ft (8.5 m)
1	<b>Rigid metal</b>	54 ft (16.5 m)	48 ft (14.6 m)
	<b>Flexible metal</b>	31 ft (9.4 m)	23 ft (7 m)
2	<b>Rigid metal</b>	44 ft (13.4 m)	38 ft (11.6 m)
	<b>Flexible metal</b>	27 ft (8.2 m)	19 ft (5.8 m)
3	<b>Rigid metal</b>	35 ft (10.7 m)	29 ft (8.8 m)
	<b>Flexible metal</b>	25 ft (7.6 m)	17 ft (5.2 m)
4	<b>Rigid metal</b>	27 ft (8.2 m)	21 ft (6.4 m)
	<b>Flexible metal</b>	23 ft (7 m)	15 ft (4.6 m)

## Install Vent System

- Install exhaust hood. Use caulking compound to seal exterior wall opening around exhaust hood.
- Connect vent to exhaust hood. Vent must fit inside exhaust hood. Secure vent to exhaust hood with 4" (10.2 cm) clamp.
- Run vent to dryer location. Use the straightest path possible. See "Determine vent path" in "Plan Vent System." Avoid 90° turns. Use clamps to seal all joints. Do not use duct tape, screws or other fastening devices that extend into the interior of the vent to secure vent.

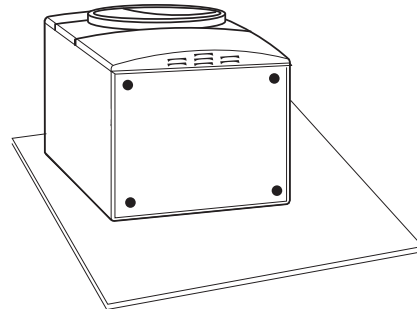
## Install Leveling Legs

### **WARNING**

#### Excessive Weight Hazard

**Use two or more people to move and install dryer.  
Failure to do so can result in back or other injury.**

- To protect the floor, use a large flat piece of cardboard from the dryer carton. Place cardboard under the entire back edge of the dryer.
- Firmly grasp the body of the dryer (not the console panel). Gently lay the dryer on the cardboard. See illustration.



- Examine the leveling legs. Find the diamond marking.



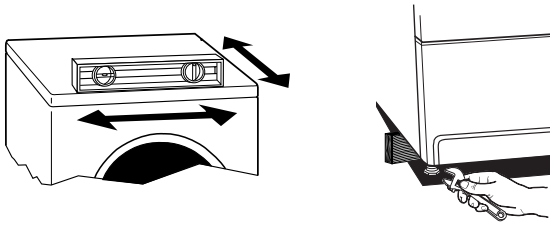
- Screw the legs into the leg holes by hand. Use a wrench to finish turning the legs until the diamond marking is no longer visible.
- Place a carton corner post from dryer packaging under each of the 2 dryer back corners. Stand the dryer up. Slide the dryer on the corner posts until it is close to its final location. Leave enough room to connect the exhaust vent.

## Connect Vent

- Using a 4" (10.2 cm) clamp, connect vent to exhaust outlet in dryer. If connecting to existing vent, make sure the vent is clean. The dryer vent must fit over the dryer exhaust outlet and inside the exhaust hood. Make sure the vent is secured to exhaust hood with a 4" (10.2 cm) clamp.
- Move dryer into its final location. Do not crush or kink vent.
- (On gas models) Make sure that there are no kinks in the flexible gas line.
- Once the exhaust vent connection is made, remove the corner posts and cardboard.

## Level Dryer

Check the levelness of the dryer. Check levelness first side to side, then front to back.



If the dryer is not level, prop up the dryer using a wood block. Use a wrench to adjust the legs up or down and check again for levelness.

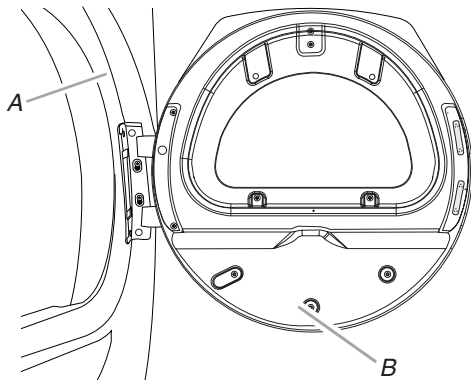
## Reverse Door Swing

You can change your door swing from a right-side opening to a left-side opening, if desired.

1. Place a towel or soft cloth on top of the dryer or work space to protect the surface.

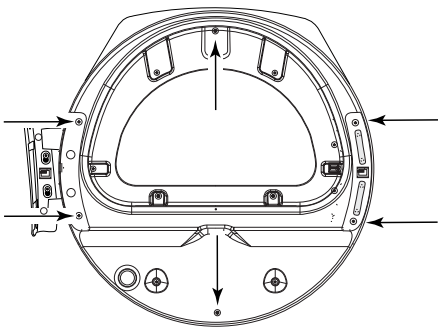
### Remove the door assembly

1. Remove the 4 screws that hold the door hinge on the front panel of the dryer.



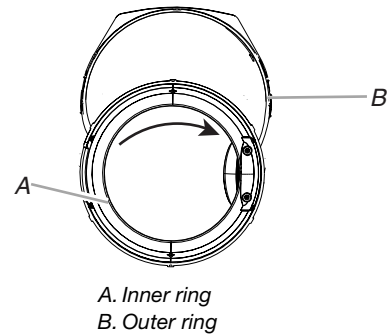
A. Dryer front panel  
B. Door assembly

2. Lay the door assembly on a flat, protected surface with the inside (inner door assembly) facing up.
3. Remove the 6 Phillips head screws to release the outer door assembly from the inner door assembly, as indicated below. See illustration. It is important that you remove only the 6 indicated screws.



4. Lift the inner door assembly off the outer door assembly.

5. Disengage locking tabs by rotating inner ring clockwise. See illustration.

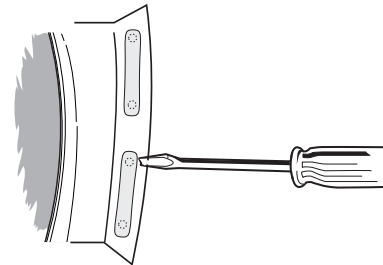


A. Inner ring  
B. Outer ring

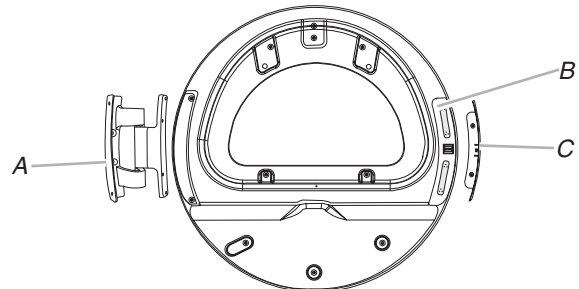
6. Turn inner ring 180° and lock tabs into place.

### Reverse hinge

1. Use a small flat-blade screwdriver to remove 2 plug strips from the inner door. Slide the head of the screwdriver under the plugs, being certain not to scratch the inner door surface. Lift up.

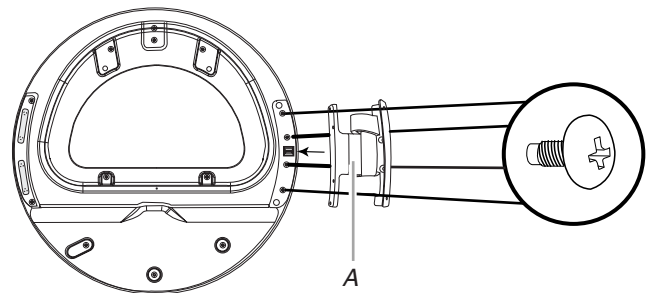


2. Remove hinge cover.



A. Door hinge  
B. Plug strips  
C. Hinge cover

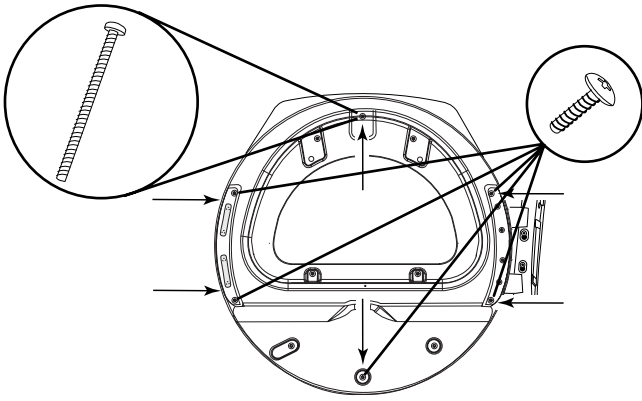
3. Remove the 4 screws that attach to the inner door hinge and move the hinge to the other side. Reinstall the 4 screws.



A. Door hinge

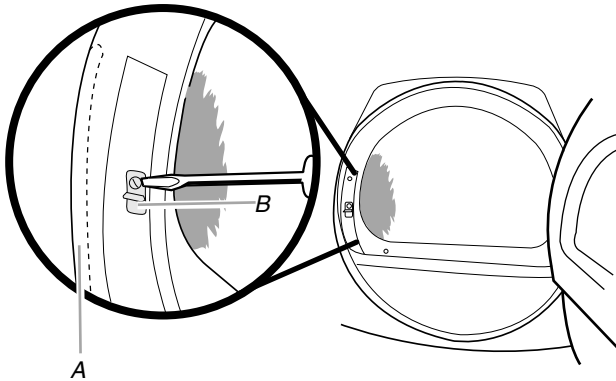
4. Reinstall plug strips on opposite side of the inner door.
5. Check for fingerprints on the glass. Clean glass if necessary.
6. Place the inner door assembly inside the outer door assembly. To fit correctly, the inner door assembly edge fits completely inside the outer door assembly edge.

7. Reassemble the inner and outer door assemblies with the 6 screws.



#### Reverse the strike

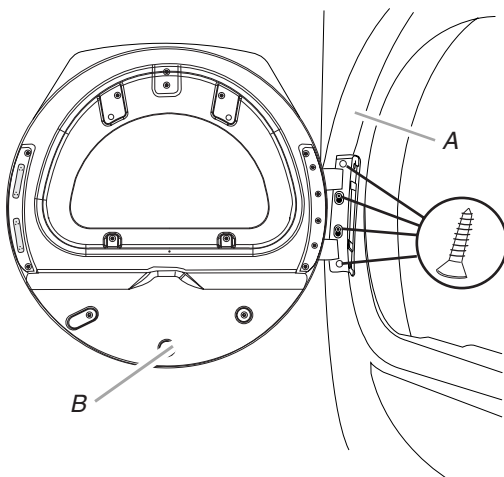
1. Use a small flat-blade screwdriver to remove plug strip from the dryer door opening. Slide the head of the screwdriver under the plugs, being certain not to scratch the dryer surface. Lift up.
2. Remove the strike.
3. Insert strike and plug strip on the opposite side.



A. Plug strip (cannot be seen from this angle)  
B. Door strike

#### Reinstall the door

1. Reattach door to dryer front panel with the 4 screws.



A. Dryer front panel  
B. Door assembly

2. Check for fingerprints on the glass. Clean the glass if necessary.
3. Close door and check that it latches securely.

### Complete Installation

1. Check that all parts are now installed. If there is an extra part, go back through the steps to see which step was skipped.
2. Check that you have all of your tools.
3. Dispose of/recycle all packaging materials.
4. Check the dryer's final location. Be sure the vent is not crushed or kinked.
5. Check that the dryer is level. See "Level Dryer."
6. Plug into a grounded 4 prong outlet. Turn on power.
7. Remove any protective film or tape remaining on the dryer.
8. Read "Dryer Use."
9. Wipe the dryer drum interior thoroughly with a damp cloth to remove any dust.
10. Select a Timed Dry heated cycle, and start the dryer. Do not select the Air Only modifier.

#### If the dryer will not start, check the following:

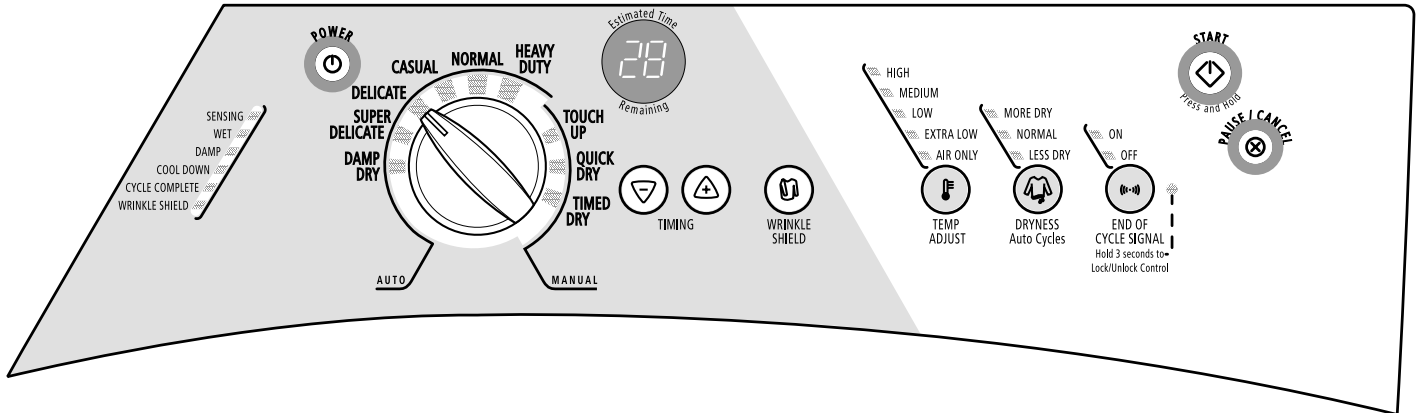
- Controls are set in a running or "On" position.
  - Start button has been pushed firmly.
  - Dryer is plugged into a grounded outlet.
  - Electrical supply is connected.
  - Household fuse is intact and tight, or circuit breaker has not tripped.
  - Dryer door is closed.
11. When the dryer has been running for 5 minutes, open the dryer door and feel for heat. If you feel heat, cancel cycle and close the door.

#### If you do not feel heat, turn off the dryer and check the following:

- There may be 2 fuses or circuit breakers for the dryer. Make sure both fuses are intact and tight, or that both circuit breakers have not tripped. If there is still no heat, contact a qualified technician.

**NOTE:** You may notice a burning odor when the dryer is first heated. This odor is common when the heating element is first used. The odor will go away.

# DRYER USE



## Starting Your Dryer

### ⚠ WARNING



#### Explosion Hazard

Keep flammable materials and vapors, such as gasoline, away from dryer.

Do not dry anything that has ever had anything flammable on it (even after washing).

Failure to follow these instructions can result in death, explosion, or fire.

### ⚠ WARNING



#### Fire Hazard

No washer can completely remove oil.

Do not dry anything that has ever had any type of oil on it (including cooking oils).

Items containing foam, rubber, or plastic must be dried on a clothesline or by using an Air Cycle.

Failure to follow these instructions can result in death or fire.

**WARNING:** To reduce the risk of fire, electric shock, or injury to persons, read the IMPORTANT SAFETY INSTRUCTIONS before operating this appliance.

Follow these basic steps to start your dryer. Please refer to specific sections of this manual for more detailed information.

1. Clean lint screen before each load. See "Cleaning the Lint Screen."
2. Place laundry into dryer and shut door.
3. Press POWER.
4. Point the dial to an Auto or Manual Cycle. The preset settings for Auto or Manual Cycles will illuminate. The estimated (auto cycle) or actual (manual) cycle time (in minutes) will show in the display.

**NOTE:** A preset time is displayed when an automatic cycle is selected. During the first few minutes of the drying process, the cycle time may automatically vary from the preset time based on the size and fabric type of the load. Toward the end of the drying process, the estimated time display will adjust again, showing the final drying time.

#### To use an Auto Cycle

- Select an Auto Cycle. Auto cycles will default to the last dryness setting used for that cycle.

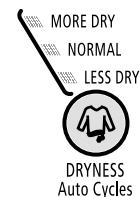
- Select DRYNESS to adjust how dry you want the load. The time displayed is an estimated length of the cycle based on the Dryness selected. As the cycle runs, the control senses the dryness of the load and adjusts the time automatically for the selected dryness level.

**NOTE:** Time is not adjustable for Automatic Cycles. Pressing the Timing Up or Down buttons will cause a triple beep, indicating that the time cannot be changed.

#### To make changes to the Dryness and/or Options during an Auto Cycle:

- Press PAUSE/CANCEL once.
- Adjust Dryness and/or Options.

**NOTE:** Dryness level selections can be made only while using Auto Cycles. Selecting More Dry, Normal or Less Dry automatically adjusts the sensed time needed.



Auto Dry cycles take the guesswork out of drying time and enhance fabric care. The amount of time that is displayed is the estimated time remaining in the cycle.

#### To use a Manual Cycle

- Point the dial to a Manual Cycle.
- Press TIMING Up or Down until the desired drying time is displayed. Tap TIMING Up or Down, and the time will change by 1-minute intervals. Press and hold TIMING Up or Down, and the time will change by 5-minute intervals.

**NOTE:** The Timing feature can be used only with Manual Cycles.



- Press TEMP ADJUST until the desired temperature illuminates.

#### To make changes to Time, Temperature, WRINKLE SHIELD™ feature and Cycle Signal during a Manual Cycle:

- Press PAUSE/CANCEL once.
  - Adjust the Time, Temperature, WRINKLE SHIELD™ feature and End of Cycle Signal.
5. (OPTIONAL STEP) If desired, select WRINKLE SHIELD™ feature. For more details, see “WRINKLE SHIELD™ Feature” in “Additional Features.”
  6. (OPTIONAL STEP) The Cycle Signal is preset to ON. If desired, you may turn the Cycle Signal OFF.
  7. Press and hold START for approximately 1 second until dryer starts. Be sure the door is closed.
    - If you do not press Start within 5 minutes of selecting a cycle, the dryer automatically shuts off.

## Stopping or Restarting Your Dryer

#### To pause/stop the dryer at any time

Open the door or press PAUSE/CANCEL once.

#### To restart the dryer

Close the door. Press and hold START until dryer starts.

#### To cancel your dryer at any time

Press PAUSE/CANCEL twice.

**NOTE:** Drying will continue from where the cycle was interrupted if you close the door and press Start within 5 minutes. If the cycle is interrupted for more than 5 minutes, the dryer will shut off. Select new cycle settings before restarting the dryer.

## Lock Controls

This feature allows you to lock your settings to avoid unintended use of the dryer. You can also use the control lock feature to avoid unintended cycle or option changes during dryer operation.

#### To enable the control lock feature:

Press and hold END OF CYCLE SIGNAL button for 3 seconds. The Lock/Unlock Control icon lights up, and a single beep tone is heard. To unlock, press and hold END OF CYCLE SIGNAL button for 3 seconds. The indicator light turns off.

## Drying and Cycle Tips

Select the correct cycle and dryness level or temperature for your load. If an Auto Cycle is running, the display shows the estimated cycle time when your dryer is automatically sensing the dryness level of your load. If a Manual Cycle is running, the display shows the exact number of minutes remaining in the cycle.

Cool Down tumbles the load without heat during the last few minutes of all cycles. Cool Down makes the loads easier to handle and reduces wrinkling. The length of the Cool Down depends on the load size and dryness level.

#### Drying tips

- Follow care label directions when they are available.
- If desired, add a fabric softener sheet. Follow package instructions.
- Remove the load from the dryer as soon as tumbling stops to reduce wrinkling. This is especially important for permanent press, knits and synthetic fabrics.
- Avoid drying heavy work clothes with lighter fabrics. This could cause overdrying of lighter fabrics, leading to increased shrinkage or wrinkling.

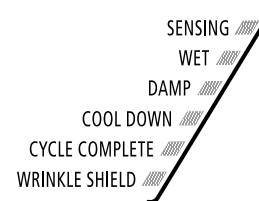
#### Cycle tips

- Dry most loads using the preset cycle settings.
- Refer to the Auto or Manual Preset Cycle Settings chart (in the “Cycles” section) for a guide to drying various loads.
  - Drying temperature and Dryness are preset when you choose an Auto Cycle. You can choose a different dryness level, depending on your load by pressing the DRYNESS button to select MORE DRY or LESS DRY.
  - If you wish to adjust the cycle length of a Manual Cycle, you must press TIMING Up or Down. Adjust the temperature of a Manual Cycle by pressing TEMP ADJUST until the desired temperature is selected.

**NOTE:** You cannot choose a Dryness Level with Manual Cycles.

## Status Lights

You may follow the progress of your dryer with the drying Status indicator lights.



#### Sensing

When a cycle is first turned on, the SENSING light illuminates until a wet item is detected.

- In an Auto Cycle, if a wet item has not been detected within 5 minutes, the Sensing light will turn off.
- In a Manual Cycle, if a wet item is not detected within 5 minutes, the Sensing light will turn off and the Damp light will turn on.

## Wet

The WET light will turn on when a wet item has been detected in the dryer. The Wet light will remain on until:

- The damp dry point is reached in an Auto or Manual Cycle.

## Damp

The DAMP light indicates that the load has reached the damp dry level.

## Cool Down

The COOL DOWN light illuminates during the cool down part of the cycle. Laundry is cooling down for ease in handling.

## Cycle Complete

This light illuminates when a drying cycle is finished. If the WRINKLE SHIELD™ feature has been selected, the WRINKLE SHIELD™ feature indicator light will also be illuminated.

The Cycle Complete light turns off 1 hour after the end of a drying cycle (including the WRINKLE SHIELD™ cycle of 90 minutes), when Pause/Cancel is pressed, or when the door is opened.

## WRINKLE SHIELD™ Feature

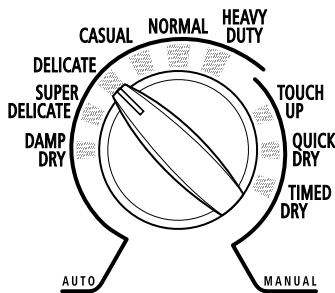
The WRINKLE SHIELD™ feature light illuminates when this option is selected. This indicator stays on with the Cycle Complete light.

## Indicator lights

Other indicator lights on the control panel show when Cycle, Temp Adjust, and End of Cycle settings are selected.

## Cycles

Select the drying cycle that matches the type of load you are drying. See Auto Preset or Manual Preset Cycle Settings charts.



Cycle control knob

## AUTO CYCLES

Auto Cycles allow you to match the cycle to the load you are drying. See the following Auto Preset Cycle Settings chart. Each cycle dries certain fabrics at the recommended temperature. A sensor detects the moisture in the load and automatically adjusts the drying time for optimal drying.

### Heavy Duty

Use this cycle to get High heat for heavy fabrics such as cotton towels or bedspreads.

### Normal

Use this cycle to get Medium heat for drying mixed loads and sturdy fabrics such as work clothes.

### Casual

Use this cycle to get Low heat for drying no-iron fabrics such as sport shirts, casual business clothes and permanent press blends.

## Delicate

Use this cycle to get Low heat for drying synthetic fabrics, washable knit fabrics and no-iron finishes.

## Super Delicate

Use this cycle to get Extra Low heat to gently dry items such as lingerie, exercise wear or sheer curtains.

## Damp Dry

Use this cycle to dry items to a damp level using Low heat, or to dry items that do not require an entire drying cycle. Damp dry items such as jeans (to avoid stiffness) or cotton clothing (to make ironing easier). The temperature setting on this cycle cannot be adjusted. Items will have different levels of dampness. At the end of this cycle, clothes will be damp.

## Auto Preset Cycle Settings

Auto Cycles Load Type	Temp.	Time* (Minutes)
<b>HEAVY DUTY</b> Heavyweight, towels	High	40
<b>NORMAL</b> Mixed loads, corduroys, work clothes, sheets	Medium	35
<b>CASUAL</b> Permanent press, synthetics	Low	35
<b>DELICATE</b> Lightweight items, blouses, synthetics	Low	30
<b>SUPER DELICATE</b> Lingerie	Extra Low	25
<b>DAMP DRY</b> Clothes to come out suitable for ironing	Low	20

\*Estimated Time with Auto DRYNESS (Normal) setting. Time will vary depending on load type and load size.

## MANUAL CYCLES

Use Manual Cycles to select a specific amount of drying time and a drying temperature. When a Manual Cycle is selected, the ESTIMATED TIME REMAINING display shows the actual time remaining in your cycle. You can change the actual time in the cycle by pressing TIMING Up or Down.

### Timed Dry

Use this cycle to complete drying if items are still damp after an Auto Cycle. Timed Dry is also useful for drying heavyweight and bulky items such as bedspreads and work clothes.

### Quick Dry

Use this cycle for drying small loads or loads that need a short drying time.

### Touch Up

Use this setting to help smooth out wrinkles from such items as clothes packed in a suitcase or items wrinkled from being left in the dryer too long.



## Manual Preset Cycle Settings

Manual Cycles Load Type	Temp.	Default Time (Minutes)
<b>TIMED DRY</b> Heavyweight, bulky items, bedspreads, work clothes	High*	40
<b>QUICK DRY</b> Small loads	Medium	27
<b>TOUCH UP</b> Helps smooth out wrinkles	Medium	20

\*The Timed Dry cycle will default to the last temperature used for Timed Dry.

## Additional Features

### WRINKLE SHIELD™ Feature

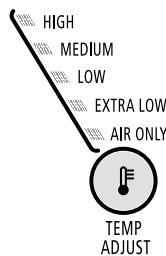
The WRINKLE SHIELD™ feature helps smooth out wrinkles that form when you cannot unload the dryer promptly at the end of a cycle. During this option, the dryer stops tumbling and then tumbles again for a brief period.

- Press the WRINKLE SHIELD™ feature to get up to 90 minutes of heat-free, periodic tumbling at the end of a cycle.
- During the WRINKLE SHIELD™ feature, you may continue the option after opening and closing the dryer door by pushing START.
- Cancel at any time by pressing the WRINKLE SHIELD™ feature button.

**NOTE:** If you do not select the WRINKLE SHIELD™ feature, the dryer stops after the cool down period.

### Temperature

Temperature settings are used with the Manual Cycles. Press TEMP ADJUST until the desired temperature setting illuminates. Temperature modifiers cannot be used with the Auto Cycles.



### Air Only

Use the Air Only modifier for items that require drying without heat such as rubber, plastic and heat-sensitive fabrics. This chart shows examples of items that can be dried using Air Only.

Type of Load	Time* (Minutes)
Foam rubber - pillows, padded bras, stuffed toys	20 - 30
Plastic - Shower curtains, tablecloths	20 - 30
Rubber-backed rugs	40 - 50
Olefin, polypropylene, sheer nylon	10 - 20

\*Reset time to complete drying, if needed.

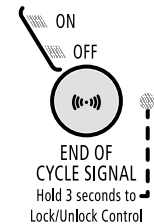
## When using Air Only

- Check that coverings are securely stitched.
- Shake and fluff pillows by hand periodically during the cycle.
- Dry item completely. Foam rubber pillows are slow to dry.

**NOTE:** Auto Cycles are not available when you are using the Air Only setting.

## End of Cycle Signal

The End of Cycle Signal produces an audible sound when the drying cycle is finished. Promptly removing clothes at the end of the cycle reduces wrinkling.



Press and release the END OF CYCLE SIGNAL to turn off the signal.

Hold the END OF CYCLE SIGNAL for 3 seconds to lock or unlock this control.

**NOTE:** When the WRINKLE SHIELD™ feature is selected and the End of Cycle Signal is on, an audible sound will be emitted every 5 minutes until the clothes are removed, or the WRINKLE SHIELD™ feature is finished.

## Changing Cycles, Options and Modifiers

You can change Auto Cycles, Timed Cycles, Modifiers and Options anytime before pressing Start.

- Three short tones sound if an unavailable combination is selected. The last selection will not be accepted.

### Changing Cycles after pressing Start

1. Press STOP twice. This ends the current cycle.
2. Select the desired cycle and options.
3. Press and hold START. The dryer starts at the beginning of the new cycle.

**NOTE:** If you do not press Start within 5 minutes of selecting the cycle, the dryer automatically shuts off.

### Changing Modifiers and Options after pressing Start

You can change a Modifier or Option anytime before the selected Modifier or Option begins.

1. Press STOP once.
2. Select the new Modifier and/or Option.
3. Press and hold START to continue the cycle.

**NOTE:** If you happen to press Stop twice, the program clears and your dryer shuts down. Restart the selection process.



## Drying Rack Option

Use the Drying Rack to dry items such as sweaters and pillows without tumbling. The drum turns, but the rack does not move.

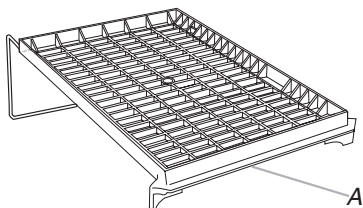
If your model does not have a drying rack, you may be able to purchase one for your model. To find out whether your model allows drying rack usage and for ordering information, please refer to the front page of the manual or contact the dealer from whom you purchased your dryer.

**NOTE:** The rack must be removed for normal tumbling. Do not use the automatic cycle with the drying rack.

### To use the drying rack

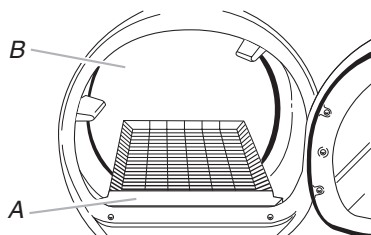
Do not remove the lint screen.

1. Open dryer door.



A. Front edge

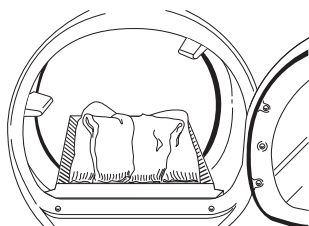
2. Place drying rack inside dryer drum, positioning the back wire on the ledge of the inner dryer back panel. Push down on front edge of drying rack to secure over the lint screen.



A. Dryer rack front edge  
B. Dryer back panel

3. Put the wet items on top of the rack. Leave space between the items so air can reach all the surfaces.

**NOTE:** Do not allow items to hang over the edge of the rack.



4. Close the door.
5. Press the POWER button.
6. Select a timed drying cycle and temperature (see following chart). Items containing foam, rubber or plastic must be dried on a clothesline or by using the Air Only temperature setting.
7. You must select a time by pressing TIMING Up or Down. Reset time as needed to complete drying. Refer to the following table.
8. Press (and hold) START button (about 1 second).

This chart shows examples of items that can be rack dried and the suggested cycle, temperature setting and drying time. Actual drying time will depend on the amount of moisture items hold.

Rack Dry	Setting	Temp.	Time*
<b>Wool Sweaters</b> Block to shape and lay flat on the rack.	Timed Dry	Low	60
<b>Stuffed toys or pillows</b> Cotton or polyester fiber filled	Timed Dry	Low	60
<b>Stuffed toys or pillows</b> Foam rubber filled	Timed Dry	Air Only (no heat)	90
<b>Sneakers or canvas shoes</b>	Timed Dry	Air Only (no heat)	90

\*(Minutes) Reset time to complete drying, if needed.

## DRYER CARE

### Cleaning the Dryer Location

Keep dryer area clear and free from items that would obstruct the flow of ventilation air.

## ! WARNING



### Explosion Hazard

Keep flammable materials and vapors, such as gasoline, away from dryer.

Place dryer at least 18 inches (46 cm) above the floor for a garage installation.

Failure to do so can result in death, explosion, or fire.

---

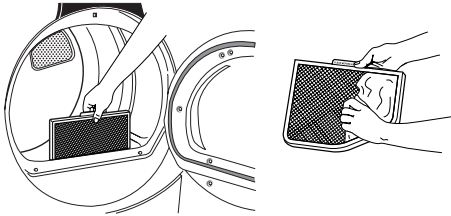
## Cleaning the Lint Screen

### Every load cleaning

The lint screen is located in the door opening of the dryer. A screen blocked by lint can increase drying time.

### To clean

1. Pull the lint screen straight up. Roll lint off the screen with your fingers. Do not rinse or wash screen to remove lint. Wet lint is hard to remove.



2. Push the lint screen firmly back into place.

### IMPORTANT:

- Do not run the dryer with the lint screen loose, damaged, blocked, or missing. Doing so can cause overheating and damage to both the dryer and fabrics.
- If lint falls off the screen into the dryer during removal, check the exhaust hood and remove the lint. See "Venting Requirements."

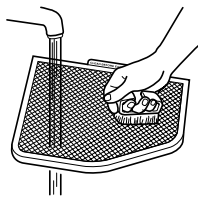
### As needed cleaning

Laundry detergent and fabric softener residue can build up on the lint screen. This buildup can cause longer drying times for your clothes, or cause the dryer to stop before your load is completely dry. The screen is probably clogged if lint falls off while the screen is in the dryer.

Clean the lint screen with a nylon brush every 6 months, or more frequently, if it becomes clogged due to a residue buildup.

### To wash

1. Roll lint off the screen with your fingers.
2. Wet both sides of lint screen with hot water.
3. Wet a nylon brush with hot water and liquid detergent. Scrub lint screen with the brush to remove residue buildup.



4. Rinse screen with hot water.
5. Thoroughly dry lint screen with a clean towel. Replace screen in dryer.

---

## Cleaning the Dryer Interior

### To clean dryer drum

1. Make a paste with powdered laundry detergent and very warm water.
2. Apply paste to a soft cloth.  
**OR**  
Apply a liquid, nonflammable household cleaner to the stained area and rub with a soft cloth until all excess dye and stains are removed.
3. Wipe drum thoroughly with a damp cloth.
4. Tumble a load of clean cloths or towels to dry drum.

**NOTE:** Garments that contain unstable dyes, such as denim blue jeans or brightly colored cotton items, may discolor the dryer interior. These stains are not harmful to your dryer and will not stain future loads of clothes. Dry unstable dye items inside out to avoid dye transfer.

---

## Removing Accumulated Lint

### From Inside the Dryer Cabinet

Lint should be removed every 2 years, or more often, depending on dryer usage. Cleaning should be done by a qualified person.

### From the Exhaust Vent

Lint should be removed every 2 years, or more often, depending on dryer usage.

---

## Vacation and Moving Care

### Vacation care

Operate your dryer only when you are at home. If you will be on vacation or not using your dryer for an extended period of time, you should:

1. Unplug dryer or disconnect power.
2. Clean lint screen. See "Cleaning the Lint Screen."

### Moving care

1. Unplug the power supply cord.
2. Make sure leveling legs are secure in dryer base.
3. Use masking tape to secure dryer door.

## ⚠ WARNING



### Electrical Shock Hazard

**Disconnect power before servicing.**

**Replace all parts and panels before operating.**

**Failure to do so can result in death or electrical shock.**

# TROUBLESHOOTING

First try the solutions suggested here and possibly avoid the cost of a service call...

## Dryer Operation

### Dryer will not run

- **Has a household fuse blown, or has a circuit breaker tripped?**  
There may be 2 fuses or circuit breakers for the dryer. Check that both fuses are intact and tight, or that both circuit breakers have not tripped. Replace the fuse or reset the circuit breaker. If the problem continues, call an electrician.
- **Is the correct power supply available?**  
Electric dryers require 240-volt power supply. Check with a qualified electrician.
- **Was a regular fuse used?**  
Use a time-delay fuse.
- **Is the dryer door firmly closed?**
- **Was the Power button pressed?**
- **Was the Start button firmly pressed?**  
Press and hold for 1 second.

### No heat

- **Has a household fuse blown, or has a circuit breaker tripped?**  
The drum may be turning, but you may not have heat. Electric dryers use 2 fuses or circuit breakers. Replace the fuse or reset the circuit breaker. If the problem continues, call an electrician.

### Unusual sounds

- **Has the dryer had a period of non-use?**  
If the dryer hasn't been used for a while, there may be a thumping sound during the first few minutes of operation.
- **Is a coin, button, or paper clip caught between the drum and front or rear of the dryer?**  
Check the front and rear edges of the drum for small objects. Clean out pockets before laundering.
- **Are the four legs installed, and is the dryer level front to back and side to side?**  
The dryer may vibrate if not properly installed. See "Installation Instructions."
- **Is the clothing knotted or balled up?**  
When balled up, the load will bounce, causing the dryer to vibrate. Separate the load items and restart the dryer.

### Dryer displaying code message

- **"PF" (power failure), check the following:**  
Was the drying cycle interrupted by a power failure?  
Press and hold START to restart the dryer.
- **"F-" Variable (F-01, F-22, F-23, F-26) service codes (the display alternately flashes "F-" and then the error code number):**  
Call for service.

## Dryer Results

### Clothes are not drying satisfactorily, drying times are too long, or load is too hot

- **Is the lint screen clogged with lint?**  
Lint screen should be cleaned before each load.

### WARNING



#### Fire Hazard

- Use a heavy metal vent.
- Do not use a plastic vent.
- Do not use a metal foil vent.
- Failure to follow these instructions can result in death or fire.

- **Is the exhaust vent or outside exhaust hood clogged with lint, restricting air movement?**  
Run the dryer for 5-10 minutes. Hold your hand under the outside exhaust hood to check air movement. If you do not feel air movement, clean exhaust system of lint or replace exhaust vent with heavy metal or flexible metal vent. See "Venting Requirements."
- **Are fabric softener sheets blocking the grille?**  
Use only one fabric softener sheet, and use it only once.
- **Is the exhaust vent the correct length?**  
Check that the exhaust vent is not too long or has too many turns. Long venting will increase drying times. See "Plan Vent System."
- **Is the exhaust vent diameter the correct size?**  
Use 4" (10.2 cm) diameter vent material.

### WARNING



#### Explosion Hazard

- Keep flammable materials and vapors, such as gasoline, away from dryer.
- Place dryer at least 18 inches (46 cm) above the floor for a garage installation.
- Failure to do so can result in death, explosion, or fire.

- **Is the dryer located in a room with temperature below 45°F (7°C)?**  
Proper operation of dryer cycles requires temperatures above 45°F (7°C).

- **Is the dryer located in a closet?**  
Closet doors must have ventilation openings at the top and bottom of the door. The front of the dryer requires a minimum of 1" (2.5 cm) of airspace, and, for most installations, the rear of the dryer requires 5" (12.7 cm). See "Installation Instructions."
- **Has the Air Only modifier been selected?**  
Select the right cycle for the types of garments being dried. See "Cycles."
- **Is the load too large and heavy to dry quickly?**  
Separate the load to tumble freely.

---

### Cycle time too short

---

## **WARNING**

### **Excessive Weight Hazard**

**Use two or more people to move and install dryer.  
Failure to do so can result in back or other injury.**

- **Is the automatic cycle ending early?**  
The load may not be contacting the sensor strips. Level the dryer.  
  
Change the dryness level setting on Auto Cycles. Increasing or decreasing the dryness level will change the amount of drying time in a cycle.  
  
Do not use a dryer rack with an Auto Cycle.

---

### Lint on load

---

- **Is the lint screen clogged?**  
Clean lint screen. Check for air movement.

---

### Stains on load or drum

---

- **Was dryer fabric softener properly used?**  
Add dryer fabric softener sheets at the beginning of the cycle. Fabric softener sheets added to a partially dried load can stain your garments.  
  
Drum stains are caused by dyes in clothing (usually blue jeans). This will not transfer to other clothing.

---

### Loads are wrinkled

---

- **Was the load removed from dryer at the end of the cycle?**
- **Was the dryer overloaded?**  
Dry smaller loads that can tumble freely.

---

### Odors

---

- **Have you recently been painting, staining or varnishing in the area where your dryer is located?**  
If so, ventilate the area. When the odors or fumes are gone from the area, rewash and dry the clothing.
- **Is the dryer being used for the first time?**  
The new electric heating element may have an odor. The odor will be gone after the first cycle.

---

## ASSISTANCE OR SERVICE

Before calling for assistance or service, please check "Troubleshooting." It may save you the cost of a service call. If you still need help, follow the instructions below.

When calling, please know the purchase date and the complete model and serial number of your appliance. This information will help us to better respond to your request.

### If you need replacement parts

If you need to order replacement parts, we recommend that you use only FSP® factory specified parts. These parts will fit right and work right because they are made with the same precision used to build every new WHIRLPOOL® appliance.

### To locate FSP replacement parts in your area:

Call **1-800-807-6777**, or your nearest designated service center.

### Our consultants provide assistance with:

- Features and specifications on our full line of appliances.
- Use and maintenance procedures.
- Accessory and repair parts sales.
- Referrals to local dealers, repair parts distributors, and service companies. Whirlpool Canada LP designated service technicians are trained to fulfill the product warranty and provide after-warranty service anywhere in Canada.

### For further assistance

If you need further assistance, you can write to Whirlpool Canada LP with any questions or concerns at:

Customer Interaction Centre  
Whirlpool Canada LP  
1901 Minnesota Court  
Mississauga, Ontario L5N 3A7

Please include a daytime phone number in your correspondence.

---

# WHIRLPOOL CORPORATION MAJOR APPLIANCE WARRANTY

---

## ONE YEAR LIMITED WARRANTY

For one year from the date of purchase, when this major appliance is operated and maintained according to instructions attached to or furnished with the product, Whirlpool Corporation or Whirlpool Canada LP (hereafter "Whirlpool") will pay for FSP® replacement parts and repair labor to correct defects in materials or workmanship. Service must be provided by a Whirlpool designated service company.

---

### ITEMS WHIRLPOOL WILL NOT PAY FOR

1. Service calls to correct the installation of your major appliance, to instruct you how to use your major appliance, to replace or repair house fuses or to correct house wiring or plumbing.
  2. Service calls to repair or replace appliance light bulbs, air filters or water filters. Those consumable parts are excluded from warranty coverage.
  3. Repairs when your major appliance is used for other than normal, single-family household use.
  4. Damage resulting from accident, alteration, misuse, abuse, fire, flood, acts of God, improper installation, installation not in accordance with electrical or plumbing codes, or use of products not approved by Whirlpool.
  5. Any food loss due to refrigerator or freezer product failures.
  6. Replacement parts or repair labor costs for units operated outside the United States or Canada.
  7. Pickup and delivery. This major appliance is designed to be repaired in the home.
  8. Repairs to parts or systems resulting from unauthorized modifications made to the appliance.
  9. Expenses for travel and transportation for product service in remote locations.
  10. The removal and reinstallation of your appliance if it is installed in an inaccessible location or is not installed in accordance with published installation instructions.
- 

### DISCLAIMER OF IMPLIED WARRANTIES; LIMITATION OF REMEDIES

CUSTOMER'S SOLE AND EXCLUSIVE REMEDY UNDER THIS LIMITED WARRANTY SHALL BE PRODUCT REPAIR AS PROVIDED HEREIN. IMPLIED WARRANTIES, INCLUDING WARRANTIES OF MERCHANTABILITY OR FITNESS FOR A PARTICULAR PURPOSE, ARE LIMITED TO ONE YEAR OR THE SHORTEST PERIOD ALLOWED BY LAW. WHIRLPOOL SHALL NOT BE LIABLE FOR INCIDENTAL OR CONSEQUENTIAL DAMAGES. SOME STATES AND PROVINCES DO NOT ALLOW THE EXCLUSION OR LIMITATION OF INCIDENTAL OR CONSEQUENTIAL DAMAGES, OR LIMITATIONS ON THE DURATION OF IMPLIED WARRANTIES OF MERCHANTABILITY OR FITNESS, SO THESE EXCLUSIONS OR LIMITATIONS MAY NOT APPLY TO YOU. THIS WARRANTY GIVES YOU SPECIFIC LEGAL RIGHTS AND YOU MAY ALSO HAVE OTHER RIGHTS, WHICH VARY FROM STATE TO STATE OR PROVINCE TO PROVINCE.

---

Outside the 50 United States and Canada, this warranty does not apply. Contact your authorized Whirlpool dealer to determine if another warranty applies.

If you need service, first see the "Troubleshooting" section of the Use & Care Guide. After checking "Troubleshooting," additional help can be found by checking the "Assistance or Service" section or by calling Whirlpool. In the U.S.A., call **1-800-253-1301**. In Canada, call **1-800-807-6777**.

8/05

---

**Keep this book and your sales slip together for future reference. You must provide proof of purchase or installation date for in-warranty service.**

Write down the following information about your major appliance to better help you obtain assistance or service if you ever need it. You will need to know your complete model number and serial number. You can find this information on the model and serial number label located on the product.

Dealer name \_\_\_\_\_  
Address \_\_\_\_\_  
Phone number \_\_\_\_\_  
Model number \_\_\_\_\_  
Serial number \_\_\_\_\_  
Purchase date \_\_\_\_\_

---

# Notes

# SÉCURITÉ DE LA SÈCHEUSE

## Votre sécurité et celle des autres est très importante.

Nous donnons de nombreux messages de sécurité importants dans ce manuel et sur votre appareil ménager. Assurez-vous de toujours lire tous les messages de sécurité et de vous y conformer.



Voici le symbole d'alerte de sécurité.

Ce symbole d'alerte de sécurité vous signale les dangers potentiels de décès et de blessures graves à vous et à d'autres.

Tous les messages de sécurité suivront le symbole d'alerte de sécurité et le mot "DANGER" ou "AVERTISSEMENT". Ces mots signifient :

**⚠ DANGER**

**Risque possible de décès ou de blessure grave si vous ne suivez pas immédiatement les instructions.**

**⚠ AVERTISSEMENT**

**Risque possible de décès ou de blessure grave si vous ne suivez pas les instructions.**

Tous les messages de sécurité vous diront quel est le danger potentiel et vous disent comment réduire le risque de blessure et ce qui peut se produire en cas de non-respect des instructions.

## IMPORTANTES INSTRUCTIONS DE SÉCURITÉ

**AVERTISSEMENT :** Pour réduire le risque d'incendie, de choc électrique ou de blessure lors de l'utilisation de la sècheuse, il convient d'observer certaines précautions élémentaires dont les suivantes :

- Lire toutes les instructions avant d'utiliser la sècheuse.
- Ne pas placer des articles exposés aux huiles de cuisson dans votre sècheuse. Les articles contaminés par des huiles de cuisson peuvent contribuer à une réaction chimique qui pourrait causer à la charge de s'enflammer.
- Ne pas faire sécher dans la machine des articles qui ont déjà été nettoyés, lavés, imbibés, ou tachés d'essence, de solvants pour nettoyage à sec, d'autres substances inflammables, ou de substances explosives puisqu'elles dégagent des vapeurs qui peuvent provoquer un incendie ou une explosion.
- Ne pas permettre à des enfants de jouer sur ou à l'intérieur de la sècheuse. Une surveillance étroite est nécessaire lorsque la sècheuse est utilisée près d'eux.
- Avant d'enlever la sècheuse du service ou la jeter, enlever la porte du compartiment de séchage.
- Ne pas mettre la main dans la sècheuse si le tambour est en mouvement.
- Ne pas installer ni entreposer la sècheuse où elle sera exposée aux intempéries.
- Ne pas jouer avec les commandes.
- Ne pas réparer ni remplacer une pièce de la sècheuse ou essayer d'en faire l'entretien à moins d'une recommandation spécifique dans le guide d'utilisation et d'entretien, ou publiée dans les instructions de réparation par l'utilisateur que vous comprenez et pouvez exécuter avec compétence.
- Ne pas utiliser un produit assouplissant de tissu ou des produits pour éliminer la statique à moins qu'ils ne soient recommandés par le fabricant du produit assouplissant de tissu ou du produit.
- Ne pas utiliser la chaleur pour faire sécher des articles fabriqués avec du caoutchouc mousse ou des matériaux semblables.
- Nettoyer le filtre à charpie avant et après chaque charge.
- Ne pas laisser la charpie, la poussière, ou la saleté s'accumuler autour du système d'évacuation ou autour de l'appareil.
- Un nettoyage périodique de l'intérieur de la sècheuse et du conduit d'évacuation doit être effectué par une personne qualifiée.
- Voir les instructions d'installation pour les exigences de liaison de l'appareil à la terre.

**CONSERVEZ CES INSTRUCTIONS**

# INSTRUCTIONS D'INSTALLATION

## Outillage et pièces

Rassembler les outils et pièces nécessaires avant de commencer l'installation. Lire et suivre les instructions de sécurité fournies avec les outils indiqués ici.

- Tournevis à lame plate
- Tournevis Phillips n° 2
- Clé à molette avec ouverture jusqu'à 1" (2,54 cm) ou clé à douille hexagonale (pour ajuster les pieds de la sècheuse)
- Niveau
- Clapets d'évacuation
- Pistolet à calfeutrage et composé de calfeutrage (pour l'installation d'un nouveau circuit d'évacuation)
- Cisaille de ferblantier (pour l'installation d'un nouveau conduit)
- Tourne-écrou ou clé à douille de 1/4" (recommandé)
- Mètre ruban

## Pièces fournies

Retirer le sachet de pièces du tambour de la sècheuse. Vérifier que toutes les pièces de la liste sont présentes.

- Sachet de pièces.



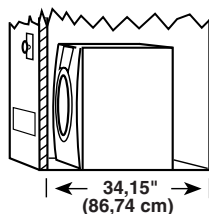
4 pieds de nivellement

**REMARQUE :** Ne pas utiliser les pieds de nivellement si la sècheuse est installée sur un piédestal.

## Pièces nécessaires

Consulter les codes locaux, vérifier l'alimentation électrique et le circuit d'évacuation existants, et consulter les sections "Spécifications électriques" et "Exigences concernant l'évacuation" avant d'acheter les pièces nécessaires.

- Pour les installations à dégagement étroit entre 28,65" (72,77 cm) et 34,15" (86,74 cm), voir la section "Planification du système d'évacuation" pour les besoins d'évacuation.

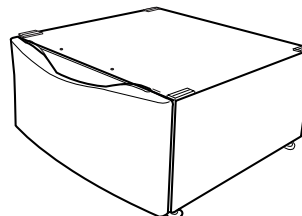


Les installations pour maison mobile nécessitent un système d'évacuation en métal disponible chez le marchand chez qui vous avez acheté la sècheuse. Pour plus de renseignements, veuillez consulter la section "Assistance ou service" de ce manuel.

## Piédestal facultatif

Installez-vous la sècheuse sur un piédestal? Vous pouvez acheter séparément des piédestaux de différentes tailles pour cette sècheuse. Vous pouvez choisir un piédestal de 10" (25,4 cm) ou un piédestal de 15,5" (39,4 cm) avec tablette et séparateurs de compartiment. Ces piédestaux s'ajouteront à la hauteur totale de l'unité pour une hauteur totale d'environ 46" (116,8 cm) ou 51,5" (130,8 cm).

Pour l'installation dans un garage, vous devez placer la sècheuse à au moins 18" (46 cm) au-dessus du sol.



Piédestal facultatif (modèle de 15,5" [39,4 cm] illustré)

Pour commander, téléphoner au marchand chez qui vous avez acheté votre sècheuse ou se référer à la section "Assistance ou service" de ce manuel.

Hauteur du piédestal	Couleur	Pièce numéro
10" (25,4 cm)	Blanc	WHP1000SQ
15,5" (39,4 cm) avec tablette et séparateurs de compartiment	Blanc	WHP1500SQ

## Grille de séchage

Pour commander une grille de séchage, téléphoner au marchand chez qui vous avez acheté votre sècheuse ou se référer à la section "Assistance ou service" de ce manuel. Demander la pièce numéro 8563738. Pour plus d'information, voir "Grille de séchage".

## Nécessaire de superposition

Prévoyez-vous superposer votre laveuse et votre sècheuse DUET SPORT®? Pour ce faire, vous devrez acheter un nécessaire de superposition.

Pour commander, téléphoner au marchand chez qui vous avez acheté votre sècheuse ou se référer à la section "Assistance ou service" de ce manuel. Demander la pièce numéro 8572546.



## Exigences d'emplacement

### **AVERTISSEMENT**



#### Risque d'explosion

Garder les matières et les vapeurs inflammables, telle que l'essence, loin de la sècheuse.

Placer la sècheuse au moins 46 cm (18 po) au-dessus du plancher pour une installation dans un garage.

Le non-respect de ces instructions peut causer un décès, une explosion ou un incendie.

#### On a besoin

- D'un emplacement permettant une installation d'évacuation correcte. Voir "Exigences concernant l'évacuation".
- D'un circuit séparé de 30 ampères.
- D'une prise électrique avec liaison à la terre située à moins de 2 pi (61 cm) de l'un des côtés de la sècheuse. Voir "Spécifications électriques".
- D'un plancher robuste capable de supporter le poids total de 127 lb (57,6 kg) de la sècheuse. Le poids combiné d'un appareil assorti doit aussi être considéré.
- D'un plancher horizontal avec une pente maximale de 1" (2,5 cm) sous l'ensemble de la sècheuse. (Si la pente est supérieure à 1" [2,5 cm], installer l'ensemble de pieds longs n° de pièce 279810.) Si la sècheuse n'est pas d'aplomb, le linge peut ne pas culbutter convenablement et les programmes commandés par des détecteurs automatiques peuvent ne pas fonctionner correctement.
- Pour l'installation dans un garage, vous devez placer la sècheuse à au moins 18" (46 cm) au-dessus du sol. En cas d'utilisation d'un piédestal, il faudra 18" (46 cm) jusqu'au fond de la sècheuse.

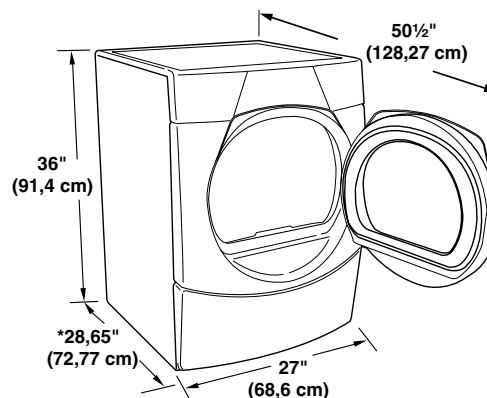
Ne pas faire fonctionner la sècheuse à des températures inférieures à 45°F (7°C). À des températures inférieures, la sècheuse risque de ne pas s'arrêter à la fin d'un programme automatique. Les durées de séchage risquent alors d'augmenter. La sècheuse ne doit pas être installée ou remise dans un endroit où elle sera exposée à l'eau et/ou aux intempéries.

Vérifier les exigences des codes. Certains codes limitent ou n'autorisent pas l'installation des sècheuses dans un garage, un placard, une maison mobile ou une chambre à coucher. Communiquer avec l'inspecteur des bâtiments local.

#### Dégagements de séparation à respecter

L'emplacement doit être assez grand pour permettre d'ouvrir complètement la porte de la sècheuse.

#### Dimensions de la sècheuse



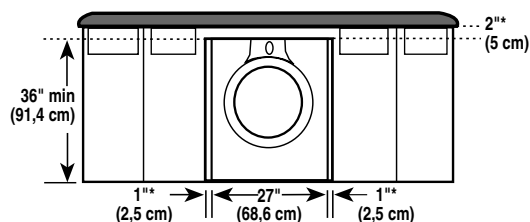
\*La plupart des installations requièrent un espace minimum de 5" (12,7 cm) derrière la sècheuse pour le conduit d'évacuation avec coude. Voir "Exigences concernant l'évacuation".

#### Espacement pour une installation dans un encastrement ou dans un placard

On recommande les dimensions d'espacement suivantes pour cette sècheuse. Cette sècheuse a été testée pour une installation avec dégagement de 0" (0 cm) sur les côtés et à l'arrière. L'espacement recommandé doit être considéré pour les raisons suivantes :

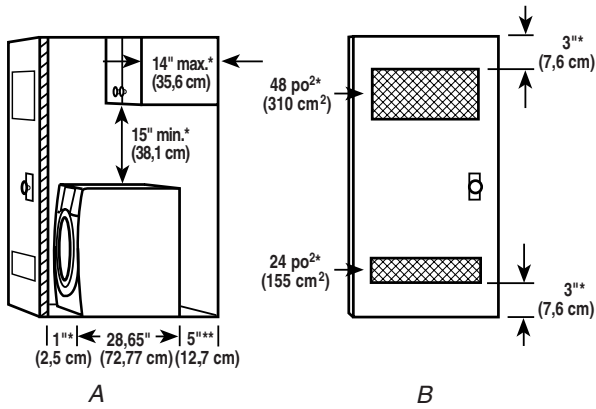
- Un espace supplémentaire doit être envisagé pour faciliter l'installation et l'entretien.
- Un espace supplémentaire peut être requis pour les moulures de porte et de plancher et pour les plinthes.
- Un espace supplémentaire doit être envisagé de tous les côtés de la sècheuse afin de réduire le transfert de bruit.
- Pour installation dans un placard avec porte, on doit prévoir des ouvertures minimums d'entrée d'air en haut et en bas de la porte. Les portes à claire-voie offrant des ouvertures équivalentes de passage de l'air sont acceptables.
- Il faut aussi prendre en compte l'espace requis entre les appareils voisins.

#### Installation personnalisée sous un comptoir - sècheuse seulement



\*Espacement requis

### Installation dans un placard - sècheuse seulement

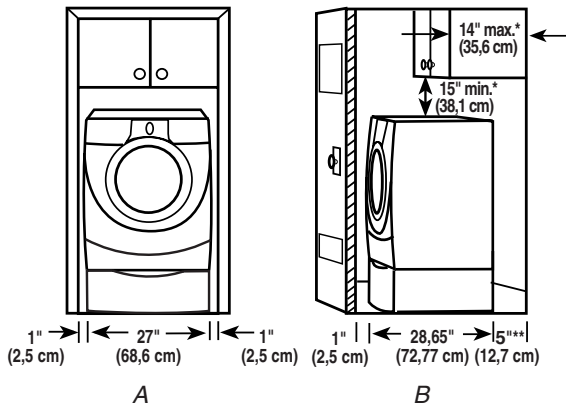


A. Vue latérale - placard ou endroit exigu  
B. Porte de placard avec orifices d'entrée d'air

\*Espace requis

\*\*En cas d'évacuation par le côté ou par le fond, un espace de 0" (0 cm) est permis.

### Installation dans un encastrement ou placard - sècheuse sur piedestal



A. Encastrement  
B. Vue latérale - placard ou endroit exigu

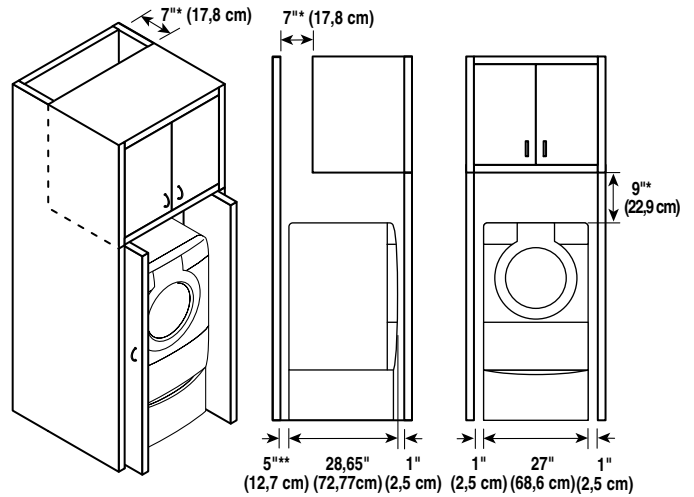
\*Espace requis

\*\*En cas d'évacuation par le côté ou par le fond, un espace de 0" (0 cm) est permis.

### Espace minimum recommandé pour l'installation de la caisse

- Les dimensions indiquées sont pour l'espace recommandé.

- Pour installation de la caisse avec porte, on doit prévoir des ouvertures minimums d'entrée d'air au sommet de la caisse.

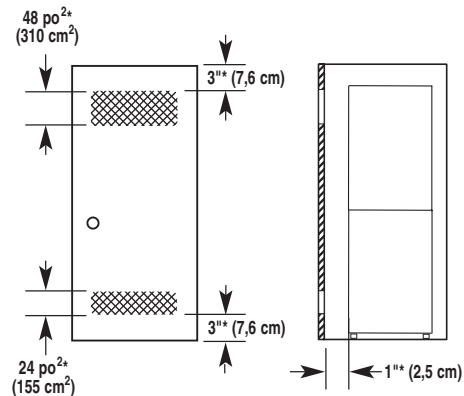


\*Espace requis

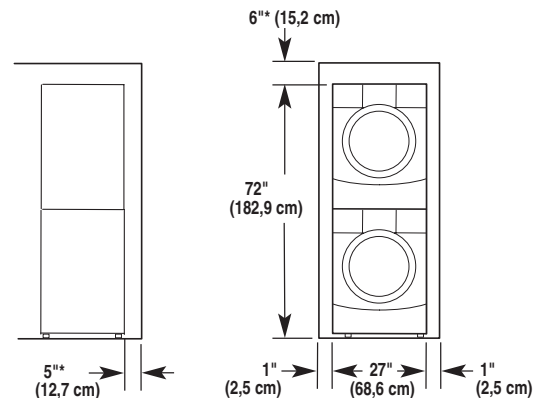
\*\*En cas d'évacuation par le côté ou par le fond, un espace de 0" (0 cm) est permis.

### Espace recommandé pour une installation dans un encastrement ou dans un placard, avec laveuse et sècheuse superposées

Les dimensions indiquées sont pour l'espace recommandé.



\*Espace requis



\*Espace requis

### Installation dans une maison mobile - exigences supplémentaires

Cette sècheuse peut être installée dans une maison mobile. L'installation doit être conforme à la Norme canadienne des habitations préfabriquées, CAN/CSA-Z240 MH.

## Autres critères à respecter pour une installation en résidence mobile :

- Système d'évacuation en métal disponible chez votre marchand.
- Il faut prendre des dispositions spéciales dans les maisons mobiles pour l'apport d'air de l'extérieur dans la sècheuse. L'ouverture (telle qu'une fenêtre à proximité) devrait être au moins deux fois plus grande que l'ouverture de décharge de la sècheuse.

## Spécifications électriques

### **AVERTISSEMENT**



#### Risque de choc électrique

**Brancher sur une prise à 4 alvéoles reliée à la terre.**

**Le non-respect de cette instruction peut causer un décès ou un choc électrique.**

## C'est à l'utilisateur qu'incombe la responsabilité de

- Communiquer avec un électricien qualifié.
- S'assurer que les connexions électriques sont adéquates et conformes au Code canadien de l'électricité, C22.1 - dernière édition et à tous les codes locaux. Pour obtenir un exemplaire de la norme des codes ci-dessus, contacter : Association canadienne de normalisation, 178 Rexdale Blvd., Toronto, ON M9W 1R3 CANADA.
- Alimenter l'appareil uniquement par un circuit monophasé de 120/240 volts CA seulement, 60 Hz à 4 fils, sur un circuit séparé de 30 ampères, fusionné aux deux extrémités de la ligne. On recommande l'emploi d'un fusible temporisé ou disjoncteur. On recommande également que cet appareil soit alimenté par un circuit indépendant.
- Cette sècheuse est équipée d'un cordon électrique homologué par la CSA International à introduire dans une prise murale standard 14-30R. Le cordon mesure 5 pi (1,52 m). Veiller à ce que la prise murale se trouve à proximité de l'emplacement définitif de la sècheuse.



Prise murale à 4 fils 14-30R

Si on utilise un cordon d'alimentation de rechange, il est recommandé d'utiliser le cordon d'alimentation de rechange numéro de pièce 9831317. Pour plus d'information, veuillez consulter les numéros de service qui se trouvent à la section "Assistance ou service" de ce manuel.

## INSTRUCTIONS DE LIAISON À LA TERRE

- Pour une sècheuse reliée à la terre et connectée par un cordon :

Cette sècheuse doit être reliée à la terre. En cas de mauvais fonctionnement ou de panne, la liaison à la terre réduira le risque de choc électrique en offrant au courant électrique un acheminement d'évacuation de moindre résistance. Cette sècheuse est alimentée par un cordon électrique comportant un conducteur relié à la terre et une fiche de branchement munie d'une broche de liaison à la terre. La fiche doit être branchée sur une prise appropriée qui est bien installée et reliée à la terre conformément à tous les codes et règlements locaux.

**AVERTISSEMENT :** Le raccordement incorrect de cet appareil au conducteur de liaison à la terre peut susciter un risque de choc électrique. En cas de doute quant à la qualité de liaison à la terre de la sècheuse, consulter un électricien ou un technicien ou un personnel qualifié. Ne pas modifier la fiche de branchement fournie avec la sècheuse; si la fiche ne correspond pas à la configuration de la prise de courant, demander à un électricien qualifié d'installer une prise de courant appropriée.

**CONSERVEZ CES INSTRUCTIONS**

## Exigences concernant l'évacuation

### **AVERTISSEMENT**



#### Risque d'incendie

**Utiliser un conduit d'évacuation en métal lourd.**

**Ne pas utiliser un conduit d'évacuation en plastique.**

**Ne pas utiliser un conduit d'évacuation en feuille de métal.**

**Le non-respect de ces instructions peut causer un décès ou un incendie.**

**AVERTISSEMENT :** Pour réduire le risque d'incendie, cette sècheuse doit ÉVACUER L'AIR À L'EXTÉRIEUR.

**IMPORTANT :** Observer les dispositions de tous les codes et règlements en vigueur.

Le conduit d'évacuation de la sècheuse ne doit pas être connecté à une évacuation de gaz, une cheminée, un mur, un plafond ou un vide de construction.

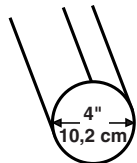
## En cas d'utilisation du système d'évacuation existant

- Éliminer la charpie sur toute la longueur du système et veiller à ce que le clapet de décharge ne soit pas obstrué par une accumulation de charpie.
- Remplacer tout conduit de plastique ou de feuille métallique par un conduit de métal lourd rigide ou souple.
- Examiner le tableau de longueur du conduit d'évacuation. Apporter les modifications nécessaires au système d'évacuation pour atteindre le meilleur rendement de séchage.

## En cas de nouveau système d'évacuation

### Matériel pour l'évacuation

- Utiliser un conduit d'évacuation en métal lourd. Ne pas utiliser un conduit de plastique ou en feuille métallique.
- Utiliser un conduit d'évacuation en métal lourd de 4" (10,2 cm) et des brides de serrage. Les produits d'évacuation DURASAFE™ sont recommandés.



Conduit d'évacuation en métal lourd de 4" (10,2 cm)

On peut se procurer les produits d'évacuation DURASAFE™ auprès du marchand ou en téléphonant à Pièces et accessoires Whirlpool. Pour plus de renseignements, voir la section "Assistance ou service" de ce manuel.

### Conduit métallique rigide

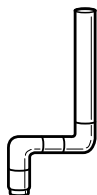
- Pour un meilleur rendement de séchage, on recommande d'utiliser des conduits métalliques rigides.
- On recommande d'utiliser un conduit métallique rigide pour réduire les risques d'écrasement et de déformation.

### Conduit métallique flexible

- Les conduits métalliques flexibles sont acceptables seulement dans la mesure où ils sont accessibles en vue du nettoyage.
- Un conduit métallique flexible doit être totalement déployé et soutenu lorsque la sècheuse est à sa position finale.
- Enlever tout excès de conduit flexible pour éviter tout affaissement ou déformation susceptible de réduire la capacité d'évacuation et le rendement.
- Ne pas installer le conduit métallique flexible dans les cavités fermées des murs, plafonds ou planchers.

### Coudes

Les coudes à 45° permettent une meilleure circulation de l'air que les coudes à 90°.



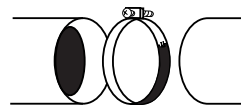
Bon



Meilleur

### Brides de serrage

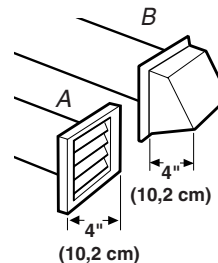
- Utiliser des brides pour sceller tous les joints.
- Le conduit d'évacuation ne doit pas être connecté ou fixé avec des vis ou avec tout autre dispositif de serrage qui se prolonge à l'intérieur du conduit. Ne pas utiliser de ruban adhésif pour conduit.



Bride de serrage

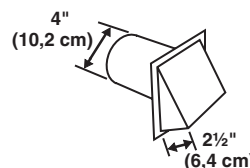
### Évacuation

Les styles de clapets recommandés sont illustrés ci-dessous.



A. Clapet à persiennes  
B. Clapet de type boîte

Le clapet incliné de type boîte ci-dessous est acceptable.



- Terminer le conduit d'évacuation par un clapet de décharge pour empêcher les rongeurs et insectes d'entrer dans l'habitation.
- Le clapet de décharge doit être situé à au moins 12" (30,5 cm) au-dessus du sol ou de tout autre objet susceptible de se trouver sur le trajet de l'air humide rejeté (par exemple, fleurs, roches ou arbustes, limite de la neige, etc.)
- Ne pas utiliser un clapet d'évacuation à fermeture magnétique.

**Une mauvaise évacuation de l'air peut causer de l'humidité et une accumulation de charpie à l'intérieur de la maison qui peut causer :**

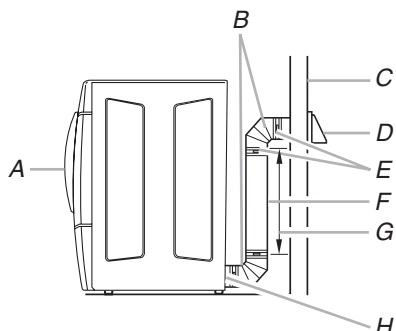
- Dommages par l'humidité aux boiseries, meubles, peinture, papier-peint, tapis, etc.
- Problèmes de nettoyage dans la maison et problèmes de santé.

## Planification du système d'évacuation

### Choisir un type de système d'évacuation

#### Installations d'évacuation recommandées

Les installations typiques consistent à acheminer le conduit d'évacuation à l'arrière de la sécheuse. D'autres installations sont possibles.



- |                       |   |
|-----------------------|---|
| A. Sécheuse           | F. Conduit métallique rigide ou souple                      |
| B. Coude              | G. Longueur de conduit nécessaire pour raccorder les coudes |
| C. Mur                | H. Bouche de décharge                                       |
| D. Clapet de décharge |   |
| E. Brides             |   |

#### Installations d'évacuation facultatives

### **AVERTISSEMENT**



#### Risque d'incendie

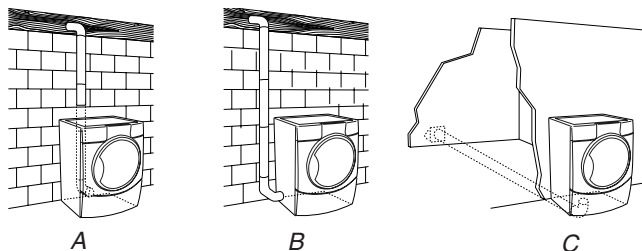
Recouvrir tous les orifices d'évacuation non utilisés avec la trousse suivante :

**279818 (blanche)**

**Contactez votre marchand local.**

**Le non-respect de ces instructions peut causer un décès, un incendie, un choc électrique ou une blessure grave.**

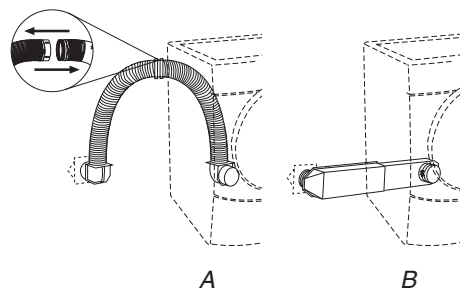
Cette sécheuse peut être convertie pour avoir un système d'évacuation par le côté droit, par le côté gauche ou par le bas. Contacter votre marchand local pour faire convertir la sécheuse.



- A. Acheminement standard du conduit d'évacuation par l'arrière  
 B. Acheminement du conduit d'évacuation par la gauche ou par la droite  
 C. Acheminement du conduit d'évacuation par le bas (non compatible avec les installations sur piédestal)

#### Autres installations où le dégagement est réduit

Il existe de nombreux types de systèmes d'évacuation. Choisir le type qui convient le mieux à l'installation. Deux installations à dégagement réduit sont illustrées. Voir les instructions du fabricant.



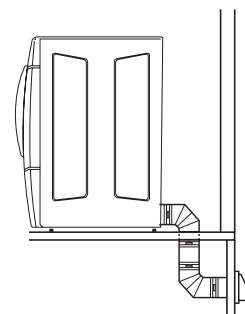
- A. Installation au-dessus de la sécheuse (aussi disponible avec un coude décalé)  
 B. Installation de périscope

**REMARQUE :** On peut acheter les trousse suivantes pour les installations où le dégagement est réduit. Veuillez consulter la section "Assistance ou service" de ce manuel pour passer une commande.

- Installation au-dessus de la sécheuse :  
Pièce numéro 4396028
- Installation de périscope (Pour utilisation en cas de non-concordance de la bouche de décharge de la sécheuse avec le clapet) :  
Pièce numéro 4396037 – Non-concordance de 0" (0 cm) à 18" (45,72 cm)  
Pièce numéro 4396011 – Non-concordance de 18" (45,72 cm) à 29" (73,66 cm)  
Pièce numéro 4396014 – Non-concordance de 29" (73,66 cm) à 50" (127 cm)

#### Dispositions spéciales pour les installations dans une maison mobile

Le système d'évacuation doit être solidement fixé à une section non combustible de la structure de la maison mobile et ne doit pas se terminer en-dessous de la maison mobile. Faire en sorte que le système d'évacuation se termine à l'extérieur.



#### Déterminer l'itinéraire d'acheminement du conduit

- Choisir l'itinéraire d'acheminement vers l'extérieur qui sera le plus direct et le plus rectiligne.
- Planifier l'installation pour introduire le nombre minimal de coudes et de changements de direction.
- Si des coudes ou des changements de direction sont utilisés, prévoir autant d'espace que possible.

- Plier le conduit graduellement pour éviter de le déformer.
- Utiliser le moins possible de changements de direction à 90°.

### Déterminer la longueur du conduit et les coudes nécessaires pour la meilleure performance de séchage

- Utiliser le tableau des systèmes d'évacuation ci-dessous pour déterminer le type de matériel à utiliser pour le conduit et les combinaisons de clapet acceptables.
- **REMARQUE :** Ne pas utiliser un conduit de longueur supérieure à la valeur spécifiée dans le tableau des systèmes d'évacuation. Si la longueur du circuit est supérieure à la valeur spécifiée dans le tableau, on observera :
  - Une réduction de la longévité de la sècheuse.
  - Une réduction du rendement, avec temps de séchage plus longs et une plus grande consommation d'énergie.

Le tableau des systèmes d'évacuation fournit les exigences d'évacuation qui vous aideront à atteindre la meilleure performance de séchage.

### Tableau des systèmes d'évacuation

**REMARQUE :** Les installations d'évacuation du conduit par le côté ou par le bas comportent un changement de direction à 90° à l'intérieur de la sècheuse. Pour établir la longueur maximale du conduit, ajouter un changement de direction à 90° au tableau.

Nombre de changements de direction à 90° ou coudes	Type de conduit	Clapets de type boîte ou à persiennes	Clapets inclinés
0	Métallique rigide	64 pi (20 m)	58 pi (17,7 m)
	Métallique souple	36 pi (11 m)	28 pi (8,5 m)
1	Métallique rigide	54 pi (16,5 m)	48 pi (14,6 m)
	Métallique souple	31 pi (9,4 m)	23 pi (7 m)
2	Métallique rigide	44 pi (13,4 m)	38 pi (11,6 m)
	Métallique souple	27 pi (8,2 m)	19 pi (5,8 m)
3	Métallique rigide	35 pi (10,7 m)	29 pi (8,8 m)
	Métallique souple	25 pi (7,6 m)	17 pi (5,2 m)
4	Métallique rigide	27 pi (8,2 m)	21 pi (6,4 m)
	Métallique souple	23 pi (7 m)	15 pi (4,6 m)

### Installation du système d'évacuation

1. Installer le clapet d'évacuation. Calfeutrer au pistolet l'ouverture murale à l'extérieur autour du clapet d'évacuation.
2. Raccorder le conduit d'évacuation au clapet. Le conduit doit être inséré à l'intérieur du clapet. Fixer ensemble le conduit et le clapet avec une bride de 4" (10,2 cm).

3. Acheminer le conduit d'évacuation jusqu'à l'emplacement de la sècheuse. Utiliser l'itinéraire le plus rectiligne possible. Voir "Déterminer l'itinéraire d'acheminement du conduit" dans "Planification du système d'évacuation". Éviter les changements de direction à 90°. Utiliser des brides pour sceller tous les joints. Ne pas utiliser de ruban adhésif pour conduit, des vis ou autres dispositifs de fixation qui se prolongent à l'intérieur du conduit pour fixer celui-ci.

### Installation des pieds de nivellement

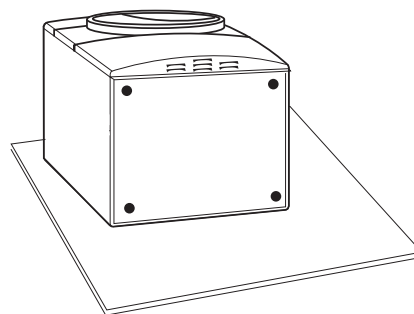
## ⚠ AVERTISSEMENT

### Risque du poids excessif

Utiliser deux ou plus de personnes pour déplacer et installer la sècheuse.

Le non-respect de cette instruction peut causer une blessure au dos ou d'autre blessure.

1. Pour protéger le plancher, utiliser une grande pièce de carton de la boîte de la sècheuse. Placer la pièce de carton sous toute la longueur du bord arrière de la sècheuse.
2. Saisir fermement la sècheuse par la caisse (et non par le tableau de console). Déposer délicatement la sècheuse sur le carton. Voir l'illustration.



3. Examiner les pieds de nivellement. Trouver le symbole de repérage (losange).



4. Engager manuellement les vis des pieds dans les trous. Utiliser une clé à molette pour visser les pieds jusqu'à ce que le symbole de repérage (losange) ne soit plus visible.
5. Placer une cornière en carton sous chacun des deux coins arrière de la sècheuse. Placer la sècheuse debout. Glisser la sècheuse sur les cornières jusqu'à ce que l'appareil soit proche de son emplacement final. Laisser assez d'espace pour connecter le conduit d'évacuation.

### Raccordement du conduit d'évacuation

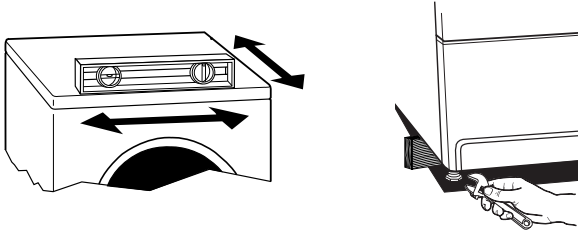
1. À l'aide d'une bride de fixation de 4" (10,2 cm), relier le conduit d'évacuation à la bouche d'évacuation de la sècheuse. Si on utilise un système d'évacuation existant, s'assurer qu'il est propre. Le conduit d'évacuation de la sècheuse doit être fixé sur la bouche d'évacuation de la sècheuse et dans le clapet d'évacuation. S'assurer que le conduit d'évacuation est fixé au clapet d'évacuation à l'aide d'une bride de fixation de 4" (10,2 cm).
2. Placer la sècheuse à son emplacement final. Ne pas écraser ni déformer le conduit d'évacuation.



- (Sur les modèles à gaz) Vérifier que le tuyau de gaz flexible n'est pas déformé ou écrasé.
- Une fois que le conduit d'évacuation est raccordé, retirer les cornières et le carton.

### Mise à niveau de la sècheuse

Contrôler l'aplomb de la sècheuse. Contrôler l'aplomb tout d'abord transversalement, puis dans le sens avant/arrière.



Si la sècheuse n'est pas de niveau, la déposer sur un bloc de bois. Utiliser une clé à molette pour ajuster les pieds vers le haut ou vers le bas, et vérifier à nouveau si elle est de niveau.

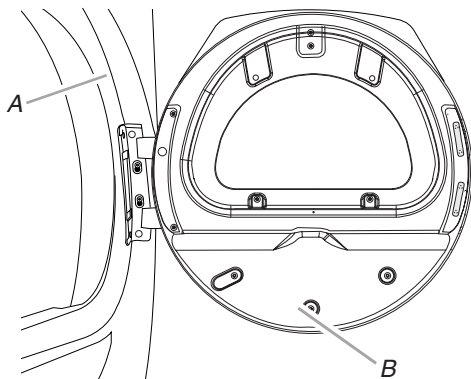
### Inversion du sens d'ouverture de la porte

Le sens d'ouverture de la porte peut être changé du côté droit au côté gauche, si désiré.

- Placer une serviette ou un linge doux sur le dessus de la sècheuse ou du plan de travail pour protéger la surface.

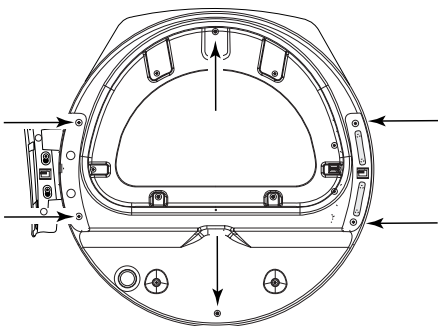
#### Ôter la porte

- Enlever les 4 vis qui maintiennent la charnière de la porte sur le panneau avant de la sècheuse.

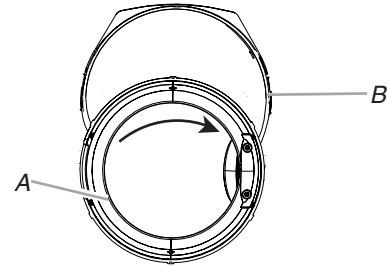


A. Panneau avant de la sècheuse  
B. Porte

- Poser la porte sur une surface plane protégée, côté intérieur (partie interne de la porte) vers le haut.
- Enlever les 6 vis à tête Philips pour séparer la partie externe de la porte de la partie interne (voir l'illustration). Il importe d'enlever seulement les 6 vis indiquées.



- Soulever la partie interne de la porte hors de la partie externe.
- Dégager les languettes de verrouillage en faisant pivoter l'anneau interne dans le sens horaire. Voir l'illustration.

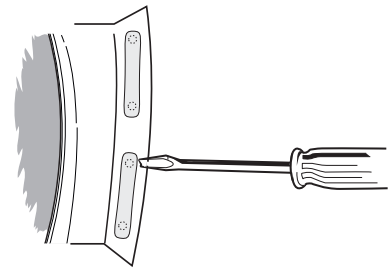


A. Anneau interne  
B. Anneau externe

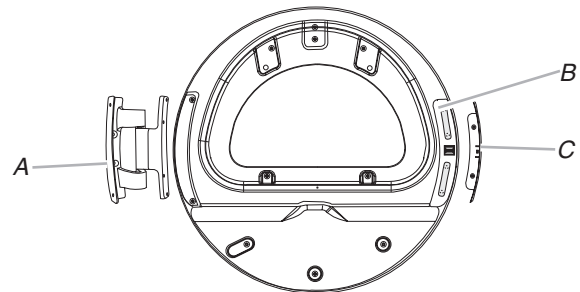
- Faire pivoter l'anneau interne à 180° et verrouiller les languettes.

#### Inversion de la charnière

- Utiliser un petit tournevis à lame plate pour enlever 2 tringles des pitons d'obturation des trous de la partie interne de la porte. Faire glisser la tête du tournevis sous les tringles, en veillant à ne pas érafler la surface de la porte interne. Soulever.

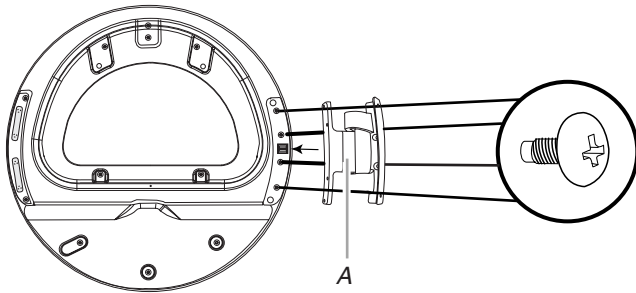


- Ôter le couvre-charnière.



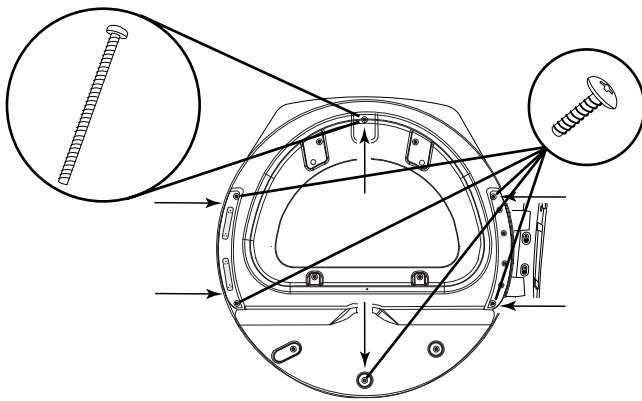
A. Charnière de porte  
B. Tringles des pitons d'obturation des trous  
C. Couvre-charnière

3. Ôter les 4 vis qui fixent la charnière de la porte interne et déplacer la charnière de l'autre côté. Réinstaller les 4 vis.



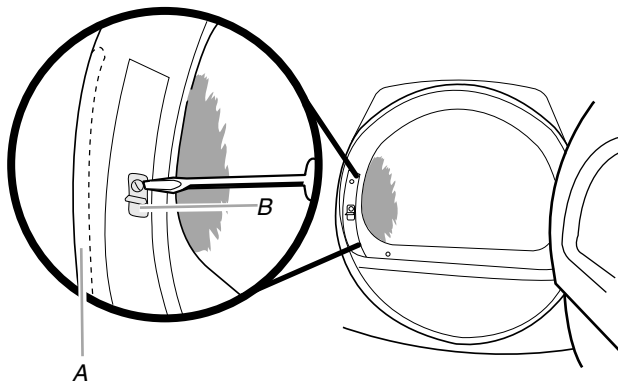
A. Charnière de porte

4. Réinstaller les tringles des pitons d'obturation des trous sur le côté opposé de la porte interne.
5. Vérifier s'il y a des traces de doigts sur le verre. Nettoyer le verre au besoin.
6. Placer la partie interne de la porte à l'intérieur de la partie externe. Pour une bonne installation, le bord de la partie interne de la porte doit se trouver complètement à l'intérieur du bord de la partie externe de la porte.
7. Assembler de nouveau les parties interne et externe de la porte avec les 6 vis.



#### Inversion de la gâche

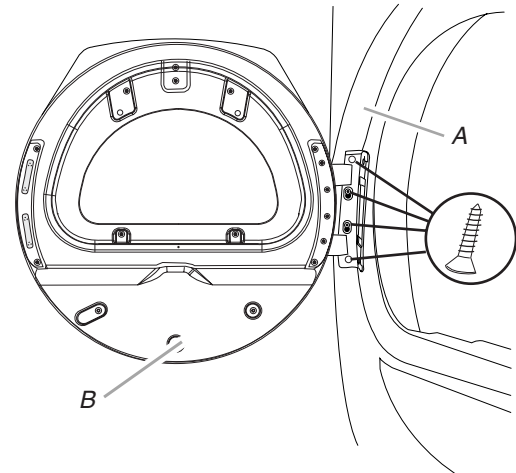
1. Utiliser un petit tournevis à lame plate pour enlever la tringle des pitons d'obturation des trous dans l'ouverture de la porte de la sécheuse. Faire glisser la tête du tournevis sous les tringles, en veillant à ne pas érafler la surface de la sécheuse. Soulever.
2. Ôter la gâche.
3. Insérer la gâche et la tringle sur le côté opposé.



A. Tringle des pitons d'obturation des trous (invisible sous cet angle)  
B. Gâche de la porte

#### Réinstallation de la porte

1. Fixer de nouveau la porte sur le panneau avant de la sécheuse avec les 4 vis.



A. Panneau avant de la sécheuse  
B. Porte

2. Vérifier s'il y a des marques de doigts sur le verre. Nettoyer le verre au besoin.
3. Fermer la porte et vérifier qu'elle s'enclenche solidement.

#### Achever l'installation

1. Vérifier que toutes les pièces sont maintenant installées. S'il reste une pièce, passer en revue les différentes étapes pour découvrir laquelle aurait été oubliée.
2. Vérifier la présence de tous les outils.
3. Jeter ou recycler tous les matériaux d'emballage.
4. Vérifier l'emplacement définitif de la sécheuse. S'assurer que le conduit d'évacuation n'est pas écrasé ou pincé.
5. Vérifier que la sécheuse est d'aplomb. Voir "Mise à niveau de la sécheuse".
6. Brancher sur une prise à quatre alvéoles reliée à la terre. Mettre l'appareil sous tension.
7. Retirer la pellicule de protection bleue sur le panneau de commande et tout ruban adhésif resté sur la sécheuse.
8. Lire "Utilisation de la sécheuse".
9. Essuyer soigneusement l'intérieur du tambour de la sécheuse avec un chiffon humide pour éliminer toute trace de poussière.
10. Sélectionner un programme de séchage minuté avec chaleur et mettre la sécheuse en marche. Ne pas sélectionner le modificateur Air Only (air seulement).

#### Si la sécheuse ne démarre pas, vérifier ce qui suit :

- Les commandes sont réglées à la position de marche ou "ON".
- Le bouton Start (mise en marche) a été enfoncé fermement.
- La sécheuse est branchée sur une prise reliée à la terre.
- La prise de courant est correctement alimentée.
- Les fusibles du domicile sont intacts et serrés; le disjoncteur n'est pas déclenché.



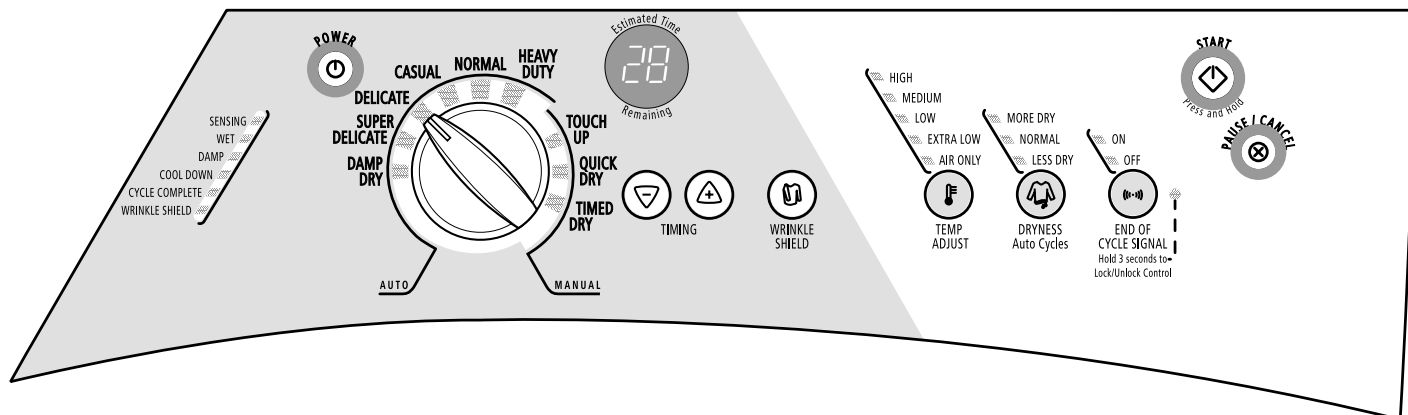
- La porte de la sècheuse est fermée.
11. Après 5 minutes de fonctionnement, ouvrir la porte de la sècheuse et voir s'il y a de la chaleur. Si de la chaleur est détectée, annuler le programme et fermer la porte.

**Si aucun échauffement n'est perceptible, éteindre la sècheuse et vérifier ce qui suit :**

- Il peut y avoir 2 fusibles ou disjoncteurs pour la sècheuse. Vérifier que les deux fusibles sont intacts et serrés ou que les deux disjoncteurs ne sont pas déclenchés. S'il n'y a toujours pas de chaleur, contacter un technicien qualifié.

**REMARQUE :** Il est possible que la sècheuse dégage une odeur de brûlé lors du chauffage initial. Cette odeur est normale lorsque l'élément chauffant est utilisé pour la première fois. L'odeur disparaîtra.

## UTILISATION DE LA SÈCHEUSE



### Mise en marche de la sècheuse

#### ⚠ AVERTISSEMENT



##### Risque d'explosion

Garder les matières et les vapeurs inflammables, telle que l'essence, loin de la sècheuse.

Ne pas faire sécher un article qui a déjà été touché par un produit inflammable (même après un lavage).

Le non-respect de ces instructions peut causer un décès, une explosion ou un incendie.

#### ⚠ AVERTISSEMENT



##### Risque d'incendie

Aucune laveuse ne peut complètement enlever l'huile.

Ne pas faire sécher des articles qui ont été salis par tout genre d'huile (y compris les huiles de cuisson).

Les articles contenant mousse, caoutchouc ou plastique doivent être séchés sur une corde à linge ou par le programme de séchage à l'air.

Le non-respect de ces instructions peut causer un décès ou un incendie.

**AVERTISSEMENT :** Pour réduire le risque d'incendie, de choc électrique ou de blessures corporelles, lire les INSTRUCTIONS IMPORTANTES DE SÉCURITÉ avant de faire fonctionner cet appareil.

Suivre ces étapes de base pour mettre la sècheuse en marche. Se référer aux sections spécifiques de ce manuel pour obtenir des renseignements plus détaillés.

1. Nettoyer le filtre à charpie avant chaque charge. Voir "Nettoyage du filtre à charpie".
2. Charger les vêtements dans la sècheuse et fermer la porte. Voir "Guide de chargement".

3. Appuyer sur POWER (alimentation).
4. Sélectionner un programme automatique ou minuté. Les pré-réglages pour les programmes automatiques et minutés s'illuminent. La durée estimée (programme automatique) ou réelle (programme minuté) du programme apparaîtra (en minutes) sur l'afficheur.

**REMARQUE :** Une durée par défaut est affichée lorsqu'un programme automatique est sélectionné. Au cours des premières minutes du processus de séchage, la durée du programme peut varier automatiquement par rapport à la durée par défaut en fonction du volume et du type de tissu de la charge. Vers la fin du processus de séchage, l'afficheur de la durée estimée s'ajustera de nouveau, indiquant la durée de séchage finale.

## Utilisation d'un programme automatique

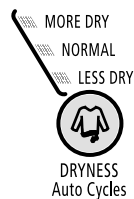
- Sélectionner un programme automatique. Les programmes automatiques sont pré-réglés à Normal.
- Sélectionner DRYNESS LEVEL (degré de séchage) pour régler le degré de séchage désiré. Au cours du programme, la commande détecte le degré de séchage de la charge et règle la durée automatiquement selon le degré de séchage sélectionné.

**REMARQUE :** La durée n'est pas réglable pour les programmes automatiques. Le fait d'appuyer sur les boutons Timing (vers le haut ou vers le bas) provoque l'émission d'un triple bip indiquant que la durée ne peut être changée.

### Pour modifier le degré de séchage et/ou des options au cours d'un programme automatique :

- Appuyer une fois sur PAUSE/CANCEL (pause/annulation).
- Ajuster le réglage Dryness Level et/ou Options.

**REMARQUE :** Les sélections de degré de séchage ne peuvent être effectuées qu'avec les programmes automatiques. La sélection de More (plus), Normal ou Less (moins) ajuste automatiquement la durée détectée nécessaire.



Les programmes de séchage automatique suppriment la nécessité de calculer la durée de séchage et apportent davantage de soin aux vêtements. La durée affichée correspond à la durée résiduelle estimée du programme.

## Utilisation d'un programme minuté

- Choisir un programme minuté.
- Appuyer sur Timing (vers le haut ou vers le bas) jusqu'à ce que la durée de séchage désirée s'affiche. Appuyer sur Timing (vers le haut ou vers le bas) et la durée changera par tranches de 1 minute. Appuyer sans relâche sur Timing (vers le haut ou vers le bas) et la durée changera par tranches de 5 minutes.

**REMARQUE :** La caractéristique d'ajustement du programme minuté ne peut être utilisée qu'avec les programmes manuels.



- Appuyer sur TEMP ADJUST jusqu'à ce que la température désirée s'illumine.

### Pour modifier la durée et/ou les options au cours d'un programme minuté :

- Appuyer une fois sur PAUSE/CANCEL (pause/annulation).
  - Ajuster la durée, la température, la fonction WRINKLE SHIELD™ et le signal de fin de programme.
- (ÉTAPE FACULTATIVE) Si désiré, sélectionner WRINKLE SHIELD®. Pour plus de détails, voir "WRINKLE SHIELD®".
  - (ÉTAPE FACULTATIVE) Le signal de programme est pré-réglé à On (marche). On peut désactiver le signal de programme, si désiré.
  - Appuyer sur START pendant environ 1 seconde jusqu'à ce que la sécheuse se mette en marche. Vérifier que la porte est fermée.
    - Si on n'appuie pas sur Start dans les 5 minutes qui suivent le choix d'un programme, la sécheuse s'arrête automatiquement.

## Arrêt ou remise en marche de la sécheuse

### Pour mettre la sécheuse en pause ou l'arrêter à tout moment

Ouvrir la porte ou appuyer une fois sur PAUSE/CANCEL.

### Pour remettre la sécheuse en marche

Fermer la porte. Appuyer sans relâcher sur START jusqu'à ce que la sécheuse se mette en marche.

### Pour arrêter la sécheuse ou annuler le programme en cours à tout moment

Appuyer deux fois sur PAUSE/CANCEL.

**REMARQUE :** Le séchage reprendra là où le programme a été interrompu si on referme la porte et appuie sur Start dans les 5 minutes qui suivent. Si le programme est interrompu pendant plus de 5 minutes, la sécheuse s'arrête. Sélectionner les nouveaux réglages de programme avant de remettre la sécheuse en marche.

## Verrouillage des commandes

Cette caractéristique permet de verrouiller les réglages et d'empêcher l'utilisation involontaire de la sécheuse. On peut aussi utiliser la caractéristique de verrouillage des commandes pour empêcher des changements involontaires de programme ou d'option durant le fonctionnement de la sécheuse.

### Activation de la caractéristique de verrouillage des commandes :

Appuyer sur le bouton END OF CYCLE SIGNAL (signal de fin de programme) pendant 3 secondes.

L'icône Lock/Unlock Control (verrouiller/déverrouiller les commandes) s'allume et un unique bip est entendu. Pour déverrouiller, appuyer sur le bouton END OF CYCLE SIGNAL (signal de fin de programme) pendant 3 secondes. L'indicateur lumineux s'éteint.

## Conseils pour le séchage et les programmes

Choisir le programme et le niveau de séchage ou la température corrects pour votre charge. Si un programme automatique est exécuté, l'afficheur indique la durée estimée du programme lorsque votre sécheuse détecte automatiquement le niveau de séchage de votre charge. Si un programme manuel est exécuté, l'afficheur indique le nombre exact de minutes qui restent dans le programme.

La période Cool Down (refroidissement) fait culbuter la charge sans chaleur au cours des quelques dernières minutes de tous les programmes. La période de refroidissement rend plus facile la manutention des charges et réduit le froissement. La durée de la période de refroidissement dépend du volume de la charge et du niveau de séchage.

### Conseils de séchage

- Suivre les directives sur l'étiquette lorsqu'elles sont disponibles.
- Ajouter une feuille d'assouplissant de tissus, si désiré. Suivre les instructions sur l'emballage.
- Retirer la charge de la sécheuse aussitôt que le culbutage cesse pour réduire le froissement. Cette action est particulièrement importante pour les tissus à pressage permanent, tricots et tissus synthétiques.

- Éviter de faire sécher des vêtements de travail lourds avec des tissus plus légers. Cette action pourrait causer un séchage excessif des tissus légers, contribuant à un rétrécissement ou à un froissement plus prononcé.

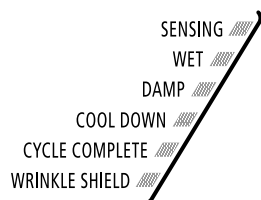
### Conseils pour les programmes

- Faire sécher la plupart des charges en utilisant les préréglages de programmes.
- Se référer aux tableaux de Préréglages de programmes automatiques ou Préréglages de programmes manuels (dans la section "Programmes") pour des directives en fonction du séchage de diverses charges.
  - La température de séchage et le niveau de séchage sont préréglés lorsqu'on choisit un programme automatique. On peut choisir un niveau différent de séchage, selon la charge en appuyant sur le bouton DRYNESS (séchage) pour choisir MORE DRY (plus sec) ou LESS DRY (moins sec).
  - Si vous désirez ajuster la durée du programme d'un programme manuel, vous devez appuyer sur TIMING (vers le haut ou vers le bas). Ajuster la température du programme manuel en appuyant sur TEMP ADJUST jusqu'à ce que la température désirée soit choisie.

**REMARQUE :** On ne peut pas choisir un niveau de séchage avec les programmes manuels.

### Témoins lumineux

On peut suivre l'état d'avancement de la sècheuse grâce aux témoins lumineux du degré de séchage.



### Sensing (détection)

Lors de la mise en marche initiale d'un programme, le témoin SENSING s'allume jusqu'à la détection d'un article mouillé.

- Dans un programme automatique, si un article mouillé n'a pas été détecté en deçà de 5 minutes, le témoin Sensing s'éteint.
- Dans un programme automatique, si un article mouillé n'a pas été détecté en deçà de 5 minutes, le témoin Sensing s'éteint et le témoin Damp (humide) s'allume.

### Wet (mouillé)

Le témoin WET s'allume lorsqu'un article mouillé a été détecté dans la sècheuse. Le témoin Wet reste allumé jusqu'à ce que :

- Le point de séchage humide soit atteint dans un programme automatique ou manuel.

### Damp (humide)

Le témoin DAMP indique que la charge a atteint le degré de séchage humide.

### Cool Down (refroidissement)

Le témoin Cool Down s'allume pendant la période de refroidissement du programme. Le linge refroidit pour faciliter sa manipulation.

### Cycle Complete (programme terminé)

Ce témoin s'allume lorsqu'un programme de séchage est terminé. Si la caractéristique WRINKLE SHIELD™ a été sélectionnée, le témoin WRINKLE SHIELD™ s'allume également.

Le témoin Cycle Complete (programme terminé) s'éteint une heure après la fin d'un programme de séchage (y compris le programme WRINKLE SHIELD™ de 90 minutes), lorsqu'on appuie sur Pause/Cancel (pause/annulation) ou lorsque la porte est ouverte.

### Caractéristique WRINKLE SHIELD™ (anti-froissement)

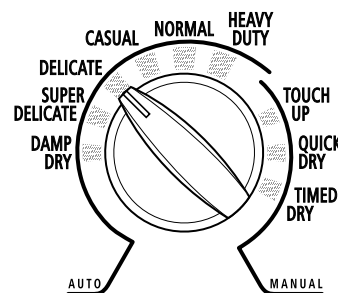
Le témoin WRINKLE SHIELD™ s'allume lorsque cette option est sélectionnée. Ce témoin reste allumé avec le témoin Cycle Complete (programme terminé).

### Témoins lumineux

Les autres témoins lumineux sur le panneau de commande indiquent les réglages de programme, ajustement de la température et fin de programme sélectionnés.

## Programmes

Sélectionner le programme de séchage qui correspond au type de charge à sécher. Voir les tableaux Préréglages des programmes automatiques ou Préréglages des programmes manuels.



Bouton de commande de programme

### PROGRAMMES AUTOMATIQUES

Les programmes automatiques permettent d'assortir le programme à la charge à sécher. Voir le tableau suivant Préréglages des programmes automatiques. Chaque programme sèche certains tissus à la température recommandée. Un capteur détecte l'humidité de la charge et règle automatiquement la durée pour un séchage optimal.

### Heavy Duty (service intense)

Utiliser ce programme pour le séchage à chaleur élevée des tissus épais tels que les serviettes ou couvre-lits en coton.

### Normal

Utiliser ce programme pour le séchage à température moyenne des tissus robustes tels que les vêtements de travail.

### Casual (tout-aller)

Utiliser ce programme pour le séchage à température moyenne des tissus sans repassage tels que les chemises de sport, les vêtements de travail tout-aller et les mélanges de tissus à pressage permanent.

### Delicate (tissus délicats)

Utiliser ce programme pour le séchage à température basse des tissus synthétiques, tricotables lavables et tissus sans repassage.

### Super Delicate (tissus très délicats)

Utiliser ce programme pour le séchage à température extra basse des articles tels que lingerie, vêtements de gymnastique ou voilages.

### Damp Dry (séchage humide)

Utiliser ce programme pour sécher des articles humides ou sécher des articles qui ne demandent pas un programme complet de séchage. Les articles doivent être encore humides après le séchage tels que les jeans (pour éviter la raideur) ou les vêtements en coton (pour rendre le pressage plus facile). Choisir le réglage de température en fonction des tissus de votre charge. Les articles peuvent avoir différents degrés d'humidité. À la fin de ce programme, les vêtements seront humides.

### Préréglages des programmes automatiques

Programmes automatiques Type de charge	Temp.	Durée* (Minutes)
<b>HEAVY DUTY (service intense)</b> Articles lourds, serviettes	Élevée	40
<b>NORMAL</b> Charges mixtes, velours côtelé, vêtements de travail, draps	Moyenne	35
<b>CASUAL (tout-aller)</b> Pressage permanent, synthétiques	Moyenne	35
<b>DELICATE (tissus délicats)</b> Articles légers, chemisiers, synthétiques	Basse	30
<b>SUPER DELICATE (tissus super délicats)</b> Lingerie	Extra basse	25
<b>DAMP DRY (séchage humide)</b> Les vêtements ressortent prêts pour le repassage	Basse	20

\*Durée prévue avec réglage de niveau de séchage automatique (normal).

La durée varie en fonction du type de charge et de la quantité de linge.

### PROGRAMMES MANUELS

Utiliser les programmes manuels pour sélectionner une durée de séchage précise et une température de séchage. Lors de la sélection d'un programme manuel, l'affichage ESTIMATED TIME REMAINING (durée prévue résiduelle) indique la durée résiduelle réelle du programme. Il est possible de modifier la durée du programme en appuyant sur TIMING (vers le haut ou vers le bas).

### Timed Dry (séchage minuté)

Utiliser ce programme pour compléter le séchage des articles encore humides après un programme automatique. Le séchage minuté est également utile pour le séchage d'articles lourds et encombrants tels que les couvre-lits et vêtements de travail.

### Quick Dry (séchage rapide)

Utiliser ce programme pour sécher les petites charges ou les articles qui requièrent un temps de séchage court.

### Touch Up (rafraîchissement)

Utiliser ce réglage pour aider à éliminer les faux plis des articles tels que les vêtements qui ont séjourné dans une valise ou les articles qui sont restés trop longtemps dans la sècheuse.

### Préréglages des programmes manuels

Programmes manuels Type de charge	Temp.	Durée réglée (Minutes)
<b>TIMED DRY (séchage minuté)</b> Articles lourds et encombrants, couvre-lits, vêtements de travail	Élevée*	40
<b>QUICK DRY (séchage rapide)</b> Petites charges	Moyenne	27
<b>TOUCH UP (rafraîchissement)</b> Aide à éliminer les faux plis	Moyenne	20

\*Le programme de séchage minuté sera positionné par défaut à la dernière température utilisée pour le séchage minuté.

## Caractéristiques supplémentaires

### Caractéristique WRINKLE SHIELD™ (antifroissement)

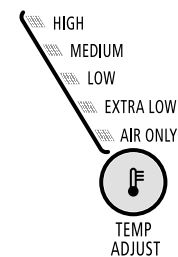
La caractéristique WRINKLE SHIELD™ aide à aplanir les faux plis qui se forment lorsqu'on ne peut pas sortir la charge de la sècheuse dès la fin d'un programme. Au cours de cette option, la sècheuse arrête le culbutage puis effectue de nouveau un culbutage pendant une brève période.

- Appuyer sur la caractéristique WRINKLE SHIELD™ pour obtenir jusqu'à 90 minutes de culbutage périodique sans chaleur à la fin du programme.
- Pendant le programme réglé à la caractéristique WRINKLE SHIELD™, vous pouvez continuer l'option après avoir ouvert et fermé la porte de la sècheuse en appuyant sur la touche START.
- Arrêter le programme en tout temps en appuyant sur WRINKLE SHIELD™ ou en ouvrant la porte de la sècheuse.

**REMARQUE :** Lorsqu'on ne choisit pas la caractéristique WRINKLE SHIELD™, la sècheuse s'arrête après la période de refroidissement.

### Temperature (température)

Les réglages de température sont utilisés avec les programmes manuels. Appuyer sur TEMP ADJUST jusqu'à ce que le réglage de température désiré s'illumine. Les modificateurs de température ne peuvent pas être utilisés avec les programmes automatiques.



## Air Only (air seulement)

Utiliser le modificateur Air Only pour les articles qui doivent être séchés sans chaleur, tels que le caoutchouc, le plastique et les tissus sensibles à la chaleur. Ce tableau donne des exemples d'articles qui peuvent être séchés au réglage Air Only.

Type de charge	Durée* (Minutes)
Caoutchouc mousse – oreillers, soutiens-gorge rembourrés, jouets rembourrés	20 - 30
Plastique – rideaux de douche, nappes	20 - 30
Tapis à endos de caoutchouc	40 - 50
Plastique oléfinique, polypropylène, nylon diaphane	10 - 20

\*Régler de nouveau la durée pour compléter le séchage, si nécessaire.

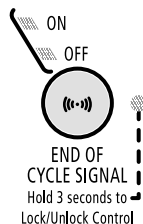
## Utilisation du réglage Air Only

- Vérifier que les recouvrements sont bien cousus.
- Secouer et faire bouffer les oreillers à la main périodiquement pendant le programme.
- Sécher l'article complètement. Les oreillers en caoutchouc mousse sont lents à sécher.

**REMARQUE :** Les programmes automatiques ne sont pas disponibles lors de l'utilisation du réglage Air Only.

## End of Cycle Signal (signal de fin de programme)

La sècheuse émet un signal sonore qui indique la fin du programme. Sortir rapidement les vêtements à la fin du programme réduit le froissement.



Appuyer sur END OF CYCLE SIGNAL et relâcher pour désactiver le signal.

Appuyer sur END OF CYCLE SIGNAL pendant 3 secondes pour verrouiller ou déverrouiller cette commande.

**REMARQUE :** Lorsqu'on choisit WRINKLE SHIELD™ et que le signal de fin de programme est activé, un signal sonore se fait entendre à intervalles de cinq minutes jusqu'à ce qu'on sorte les vêtements de la sècheuse, ou jusqu'à ce que la caractéristique WRINKLE SHIELD™ soit terminée.

## Changement des programmes, options et modificateurs

Il est possible de changer les programmes automatiques, les programmes minutés, les modificateurs et les options à tout moment avant d'appuyer sur le bouton Start (mise en marche).

- Trois brefs signaux sonores marquent le choix d'une combinaison non disponible. La dernière sélection ne sera pas acceptée.

## Changement des programmes après avoir appuyé sur Start

1. Appuyer deux fois sur STOP (arrêt). Ceci met fin au programme en cours.
2. Sélectionner le programme et les options désirés.
3. Appuyer sans relâcher sur START (mise en marche). La sècheuse recommence au début du nouveau programme.

**REMARQUE :** Si on n'appuie pas sur Start dans les 5 minutes qui suivent le choix de programme, la sècheuse s'arrête automatiquement.

## Changement des modificateurs et options après avoir appuyé sur Start

Il est possible de changer un modificateur ou une option à tout moment avant que le modificateur ou l'option choisi(e) ne commence.

1. Appuyer une fois sur STOP (arrêt).
2. Choisir le nouveau modificateur et/ou la nouvelle option.
3. Appuyer sans relâcher sur START pour continuer le programme.

**REMARQUE :** Si on appuie deux fois sur Stop, le programme est annulé et la sècheuse s'éteint. Recommencer le processus de sélection.

## Option de grille de séchage

Utiliser la grille de séchage pour faire sécher sans culbutage des articles tels que chandails et oreillers. Le tambour tourne, mais la grille ne bouge pas.

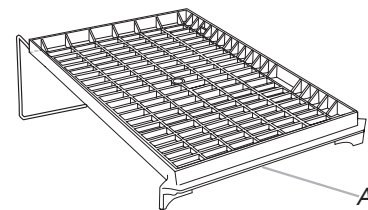
Si votre modèle ne dispose pas d'une grille de séchage, vous pouvez en acheter une. Pour savoir si votre modèle permet l'utilisation d'une grille de séchage et pour obtenir des renseignements pour commander, veuillez consulter la couverture de ce manuel ou contacter le marchand chez qui vous avez acheté votre sècheuse.

**REMARQUE :** La grille doit être enlevée pour le culbutage normal. Ne pas utiliser le programme automatique avec la grille de séchage.

## Utilisation de la grille de séchage

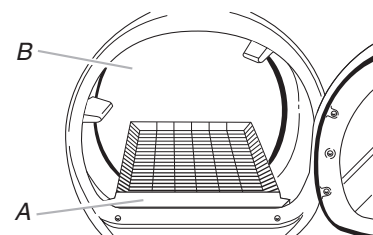
Ne pas retirer le filtre à charpie.

1. Ouvrir la porte de la sècheuse.



A. Bord avant

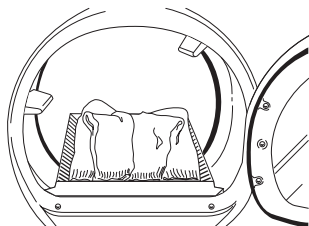
2. Placer la grille de séchage dans le tambour de la sècheuse en positionnant la broche arrière sur le rebord du panneau interne arrière de la sècheuse. Baisser le bord avant de la grille de séchage pour bien la fixer par-dessus le filtre à charpie.



A. Bord avant de la grille de séchage  
B. Panneau arrière de la sècheuse

- Placer les articles mouillés sur la grille de séchage. Laisser de l'espace entre les articles pour que l'air puisse atteindre toutes les surfaces.

**REMARQUE :** Ne pas laisser un article pendre par-dessus le bord de la grille.



- Fermer la porte.
- Appuyer sur le bouton POWER (alimentation).
- Sélectionner un programme de séchage minuté et une température (voir tableau suivant). Les articles contenant de la mousse, du caoutchouc ou du plastique doivent être séchés sur une corde à linge ou au moyen du réglage de séchage à l'air seulement.
- Il faut sélectionner une durée de séchage en appuyant sur TIMING (vers le haut ou vers le bas). Régler de nouveau la durée au besoin pour compléter le séchage. Se référer au tableau suivant.
- Appuyer sans relâcher sur le bouton START (pendant environ 1 seconde).

Ce tableau montre des exemples d'articles qui peuvent être séchés sur une grille et indique le programme, le réglage de température et la durée de séchage suggérés. La durée de séchage réelle dépendra du degré d'humidité retenue dans les articles.

Séchage sur grille (Rack Dry)	Réglage	Temp.	Durée*
<b>Chandails en laine</b> Étirer à la taille normale et étaler à plat sur la grille.	Séchage minuté	Basse	60
<b>Jouets rembourrés ou oreillers</b> Rembourrage de coton ou de polyester	Séchage minuté	Basse	60
<b>Jouets rembourrés ou oreillers</b> Rembourrage en caoutchouc mousse	Séchage minuté	Air seulement (sans chaleur)	90
<b>Chaussures de tennis ou de toile</b>	Séchage minuté	Air seulement (sans chaleur)	90

\*(Minutes) Régler de nouveau la durée pour compléter le séchage, si nécessaire.

## ENTRETIEN DE LA SÈCHEUSE

### Nettoyage de l'emplacement de la sècheuse

Éviter de laisser des éléments qui pourraient obstruer le débit de combustion et empêcher une bonne ventilation autour de la sècheuse.

### ⚠ AVERTISSEMENT



#### Risque d'explosion

**Garder les matières et les vapeurs inflammables, telle que l'essence, loin de la sècheuse.**

**Placer la sècheuse au moins 46 cm (18 po) au-dessus du plancher pour une installation dans un garage.**

**Le non-respect de ces instructions peut causer un décès, une explosion ou un incendie.**

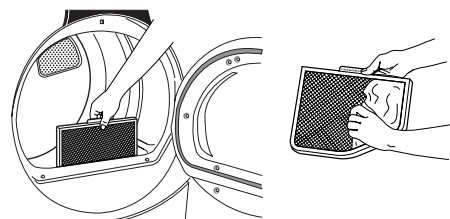
### Nettoyage du filtre à charpie

#### Nettoyage avant chaque charge

Le filtre à charpie se trouve dans l'ouverture de la porte de la sècheuse. Un filtre obstrué de charpie peut augmenter la durée de séchage.

#### Nettoyage

- Enlever le filtre à charpie en le tirant vers le haut. Enlever la charpie du filtre en la roulant avec les doigts. Ne pas rincer ni laver le filtre pour enlever la charpie. La charpie mouillée s'enlève difficilement.



- Remettre le filtre à charpie fermement en place.

#### IMPORTANT :

- Ne pas faire fonctionner la sècheuse avec un filtre à charpie déplacé, endommagé, bloqué ou manquant. Une telle action peut causer une surchauffe ou des dommages à la sècheuse et aux tissus.
- Si de la charpie tombe dans la sècheuse au moment du retrait du filtre, vérifier le conduit d'évacuation et retirer la charpie. Voir "Exigences concernant l'évacuation".

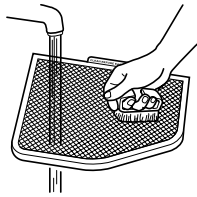
## Nettoyage au besoin

Les détergents et les assouplissants de tissu peuvent causer une accumulation de résidus sur le filtre à charpie. Cette accumulation peut augmenter les durées de séchage ou entraîner un arrêt de la sècheuse avant que la charge ne soit complètement sèche. Le filtre est probablement encrassé si de la charpie tombe du filtre alors que celui-ci se trouve dans la sècheuse.

Nettoyer le filtre à charpie avec une brosse en nylon tous les 6 mois, ou plus fréquemment, s'il devient obstrué par suite d'une accumulation de résidus.

### Lavage

1. Enlever la charpie du filtre en la roulant avec les doigts.
2. Mouiller les deux côtés du filtre à charpie avec de l'eau chaude.
3. Mouiller une brosse en nylon avec de l'eau chaude et du détergent liquide. Frotter le filtre avec la brosse pour enlever l'accumulation de résidus.



4. Rincer le filtre à l'eau chaude.
5. Bien sécher le filtre à charpie avec une serviette propre. Réinstaller le filtre dans la sècheuse.

## Nettoyage de l'intérieur de la sècheuse

### Nettoyage du tambour de la sècheuse

1. Préparer une pâte avec un détergent à lessive en poudre et de l'eau très chaude.
2. Appliquer la pâte sur un linge doux.  
**OU**  
Appliquer un nettoyant liquide domestique ininflammable sur la surface tachée et frotter avec un linge doux jusqu'à ce que l'excès de teinture et les taches aient été éliminés.
3. Essuyer complètement le tambour avec un linge humide.
4. Faire culbuter une charge de linge ou de serviettes propres pour sécher le tambour.

**REMARQUE :** Les vêtements contenant des teintures instables, tels que jeans en denim ou articles en coton de couleur vive, peuvent décolorer l'intérieur de la sècheuse. Ces taches ne sont pas nocives pour votre sècheuse et ne tacheront pas les vêtements des charges futures. Faire sécher les articles fabriqués d'une teinture instable en les tournant à l'envers pour éviter le transfert de la teinture.

## Retrait de la charpie accumulée

### Dans la caisse de la sècheuse

Il faut retirer la charpie accumulée dans la caisse de la sècheuse tous les 2 ans ou plus souvent, selon l'utilisation de la sècheuse. Le nettoyage devrait être fait par une personne qualifiée.

### Dans le conduit d'évacuation

La charpie devrait être enlevée tous les 2 ans ou plus souvent, selon l'utilisation de la sècheuse.

## Précautions à prendre pour les vacances et avant un déménagement

### Entretien avant les vacances

On ne doit faire fonctionner la sècheuse que lorsqu'on est présent. Si l'utilisateur doit partir en vacances ou n'utilise pas la sècheuse pendant une période prolongée, il convient d'exécuter les opérations suivantes :

1. Débrancher la sècheuse ou déconnecter la source de courant électrique.
2. Nettoyer le filtre à charpie. Voir "Nettoyage du filtre à charpie".

### Précautions à prendre avant un déménagement

1. Débrancher le cordon d'alimentation électrique.
2. Veiller à ce que les pieds de nivellement soient fixés solidement à la base de la sècheuse.
3. Utiliser du ruban adhésif de masquage pour fixer la porte de la sècheuse.

## ⚠ AVERTISSEMENT



### Risque de choc électrique

**Déconnecter la source de courant électrique avant l'entretien.**

**Replacer pièces et panneaux avant de faire la remise en marche.**

**Le non-respect de ces instructions peut causer un décès ou un choc électrique.**



# DÉPANNAGE

Essayer d'abord les solutions suggérées ici, ce qui vous évitera peut-être le coût d'une visite de service...

## Fonctionnement de la sècheuse

### Le sècheuse ne fonctionne pas

- **Un fusible est-il grillé ou le disjoncteur s'est-il déclenché?**  
Il peut y avoir 2 fusibles ou disjoncteurs pour la sècheuse. Vérifier que les deux fusibles sont intacts et serrés ou que les deux disjoncteurs ne se sont pas déclenchés. Remplacer le fusible ou réenclencher le disjoncteur. Si le problème persiste, appeler un électricien.
- **Une alimentation électrique correcte est-elle disponible?**  
Les sècheuses électriques nécessitent une alimentation électrique de 240 V. Vérifier avec un électricien qualifié.
- **A-t-on utilisé un fusible ordinaire?**  
Utiliser un fusible temporisé.
- **La porte de la sècheuse est-elle bien fermée?**
- **A-t-on appuyé sur le bouton Power (alimentation)?**
- **A-t-on bien enfoncé le bouton Start (mise en marche)?**  
Appuyer sur la touche pendant 1 seconde.

### Absence de chaleur

- **Un fusible est-il grillé ou le disjoncteur s'est-il déclenché?**  
Le tambour peut tourner, mais sans chaleur. Les sècheuses électriques utilisent 2 fusibles ou disjoncteurs. Remplacer le fusible ou réenclencher le disjoncteur. Si le problème persiste, appeler un électricien.

### Sons inhabituels

- **La sècheuse est-elle restée hors service pendant un certain temps?**  
Si la sècheuse n'a pas été utilisée depuis quelque temps, il est possible qu'elle émette des bruits saccadés au cours des premières minutes de fonctionnement.
- **Une pièce de monnaie, un bouton ou un trombone sont-ils coincés entre le tambour et l'avant ou l'arrière de la sècheuse?**  
Vérifier les bords avant et arrière du tambour pour voir si de petits objets y sont coincés. Vider les poches avant le lavage.
- **Les quatre pieds sont-ils installés et la sècheuse est-elle d'aplomb de l'avant vers l'arrière et transversalement?**  
La sècheuse peut vibrer si elle n'est pas correctement installée. Voir "Instructions d'installation".
- **Les vêtements sont-ils emmêlés ou en boule?**  
Une charge en boule rebondit, ce qui fait vibrer la sècheuse. Séparer les articles de la charge et remettre la sècheuse en marche.

### La sècheuse affiche un message codé

- **"PF" (panne de courant), vérifier ce qui suit :**  
Le programme de séchage a-t-il été interrompu par une panne de courant? Appuyer sans relâcher sur START pour remettre la sècheuse en marche.
- **Codes de service "F-" Variables (F-01, F-22, F-23, F-26) (l'affichage fait clignoter "F-" et ensuite le numéro de code erreur) :**  
Faire un appel de service.

## Résultats de la sècheuse

**Le séchage des vêtements n'est pas satisfaisant, les durées de séchage sont trop longues ou la charge est trop chaude**

- **Le filtre à charpie est-il obstrué de charpie?**  
Le filtre à charpie doit être nettoyé avant chaque charge.

## ⚠ AVERTISSEMENT



### Risque d'incendie

Utiliser un conduit d'évacuation en métal lourd.  
Ne pas utiliser un conduit d'évacuation en plastique.  
Ne pas utiliser un conduit d'évacuation en feuille de métal.  
Le non-respect de ces instructions peut causer un décès ou un incendie.

- **Le conduit d'évacuation ou le clapet d'évacuation à l'extérieur est-il obstrué de charpie, restreignant le mouvement de l'air?**  
Faire fonctionner la sècheuse pendant 5 à 10 minutes. Tenir la main sous le clapet d'évacuation à l'extérieur pour vérifier le mouvement de l'air. Si vous ne ressentez pas de l'air en mouvement, nettoyer le système d'évacuation ou remplacer le conduit d'évacuation par un conduit en métal lourd ou flexible. Voir "Exigences concernant l'évacuation".
- **Des feuilles d'assouplissant de tissus bloquent-elles la grille de sortie?**  
Utiliser seulement une feuille d'assouplissant par charge et l'utiliser une seule fois.
- **Le conduit d'évacuation a-t-il la longueur appropriée?**  
Vérifier que le conduit d'évacuation n'est pas trop long ou ne comporte pas trop de changements de direction. Un long conduit augmentera les durées de séchage. Voir "Planification du système d'évacuation".



■ **Le diamètre du conduit d'évacuation a-t-il la taille correcte?**

Utiliser un composant de 4" (10,2 cm) de diamètre.

## **⚠ AVERTISSEMENT**



### **Risque d'explosion**

Garder les matières et les vapeurs inflammables, telle que l'essence, loin de la sècheuse.

Placer la sècheuse au moins 46 cm (18 po) au-dessus du plancher pour une installation dans un garage.

Le non-respect de ces instructions peut causer un décès, une explosion ou un incendie.

- **La sècheuse se trouve-t-elle dans une pièce où la température ambiante est inférieure à 45°F (7°C)?**  
Le bon fonctionnement des programmes de la sècheuse nécessite une température ambiante supérieure à 45°F (7°C).
- **La sècheuse est-elle installée dans un placard?**  
Les portes du placard doivent comporter des ouvertures d'aération au sommet et en bas de la porte. Un espace minimum de 1" (2,5 cm) est nécessaire à l'avant de la sècheuse et, pour la plupart des installations, un espace de 5" (12,7 cm) est nécessaire à l'arrière de la sècheuse. Voir "Instructions d'installation".
- **Le modificateur Air Only (air seulement) a-t-il été sélectionné?**  
Choisir le bon programme pour les types de vêtements à sécher. Voir "Programmes".
- **La charge est-elle trop grosse et trop lourde pour sécher rapidement?**  
Séparer la charge pour qu'elle culbute librement.

### **Temps de programme trop court**

## **⚠ AVERTISSEMENT**

### **Risque du poids excessif**

Utiliser deux ou plus de personnes pour déplacer et installer la sècheuse.

Le non-respect de cette instruction peut causer une blessure au dos ou d'autre blessure.

- **Le programme automatique se termine-t-il trop tôt?**  
La charge n'est peut-être pas en contact avec les bandes de détection. Régler l'aplomb de la sècheuse.

Modifier le réglage de degré de séchage pour les programmes automatiques. L'augmentation ou la diminution du degré de séchage modifiera la durée de séchage d'un programme.

Ne pas utiliser une grille de séchage avec un programme automatique.

### **Charpie sur la charge**

- **Le filtre à charpie est-il obstrué?**  
Nettoyer le filtre à charpie. Vérifier le mouvement de l'air.

### **Taches sur la charge ou sur le tambour**

- **L'assouplissant de tissus pour sècheuse a-t-il été utilisé correctement?**  
Ajouter les feuilles d'assouplissant de tissus au début du programme. Les feuilles d'assouplissant de tissus ajoutées à une charge partiellement sèche peuvent tacher les vêtements.  
  
Les taches sur le tambour sont dues aux teintures contenues dans les vêtements (les jeans en général). Il n'y aura pas de transfert sur les autres vêtements.

### **Charges avec faux plis**

- **La charge a-t-elle été retirée de la sècheuse à la fin du programme?**
- **La sècheuse a-t-elle été surchargée?**  
Faire sécher de plus petites charges qui peuvent culbutter librement.

### **Odeurs**

- **Avez-vous récemment employé peinture, teinture ou vernis dans la pièce où est installée votre sècheuse?**  
Si c'est le cas, aérer la pièce. Une fois les odeurs ou émanations disparues, laver et sécher à nouveau les vêtements.
- **La sècheuse est-elle utilisée pour la première fois?**  
Le nouvel élément d'émission de chaleur électrique peut émettre une odeur. L'odeur disparaîtra après le premier programme.

---

# ASSISTANCE OU SERVICE

Avant de faire un appel pour assistance ou service, veuillez vérifier la section "Dépannage". Cette vérification peut vous faire économiser le coût d'une visite de réparation. Si vous avez encore besoin d'aide, suivre les instructions ci-dessous.

Lors d'un appel, veuillez connaître la date d'achat et les numéros au complet de modèle et de série de votre appareil. Ces renseignements nous aideront à mieux répondre à votre demande.

## Si vous avez besoin de pièces de rechange

Si vous avez besoin de commander des pièces de rechange, nous vous recommandons d'utiliser seulement les pièces d'origine FSP®. Ces pièces de rechange conviendront et fonctionneront bien parce qu'elles sont fabriquées selon les mêmes spécifications précises utilisées pour construire chaque nouvel appareil WHIRLPOOL®.

## Pour trouver des pièces d'origine FSP dans votre région :

Appeler au **1-800-807-6777** ou téléphoner à votre Centre de service désigné le plus proche.

## Nos consultants fournissent l'assistance pour :

- Caractéristiques et spécifications à notre gamme complète d'appareils électroménagers.
- Procédés d'utilisation et d'entretien.
- Vente d'accessoires et de pièces de rechange.
- Les références aux concessionnaires, compagnies de service de réparation et distributeurs de pièces de rechange locaux. Les techniciens de service désignés par Whirlpool Canada LP sont formés pour remplir la garantie des produits et fournir un service après la garantie, partout au Canada.

## Pour plus d'assistance

Si vous avez besoin de plus d'assistance, vous pouvez écrire à Whirlpool Canada LP en soumettant toute question ou tout problème à :

Centre d'interaction avec la clientèle  
Whirlpool Canada LP  
1901 Minnesota Court  
Mississauga, Ontario L5N 3A7

Dans votre correspondance, veuillez indiquer un numéro de téléphone où on peut vous joindre dans la journée.

# GARANTIE DES GROS APPAREILS MÉNAGERS WHIRLPOOL CORPORATION

## GARANTIE LIMITÉE DE UN AN

Pendant un an à compter de la date d'achat, lorsque ce gros appareil ménager est utilisé et entretenu conformément aux instructions jointes à ou fournies avec le produit, Whirlpool Corporation ou Whirlpool Canada LP (ci-après désignées "Whirlpool") paiera pour les pièces de rechange FSP® et la main-d'oeuvre pour corriger les vices de matériaux ou de fabrication. Le service doit être fourni par une compagnie de service désignée par Whirlpool.

## WHIRLPOOL NE PRENDRA PAS EN CHARGE

1. Les visites de service pour rectifier l'installation du gros appareil ménager, montrer à l'utilisateur comment utiliser l'appareil, remplacer ou réparer des fusibles ou rectifier le câblage ou la plomberie du domicile.
2. Les visites de service pour réparer ou remplacer les ampoules électriques de l'appareil, les filtres à air ou les filtres à eau. Ces pièces consommables ne sont pas couvertes par la garantie.
3. Les réparations lorsque le gros appareil ménager est utilisé à des fins autres que l'usage unifamilial normal.
4. Les dommages imputables à : accident, modification, usage impropre ou abusif, incendie, inondation, actes de Dieu, installation fautive ou installation non conforme aux codes d'électricité ou de plomberie, ou l'utilisation de produits non approuvés par Whirlpool.
5. Toute perte d'aliments due à une défaillance du réfrigérateur ou du congélateur.
6. Le coût des pièces de rechange et de la main-d'oeuvre pour les appareils utilisés hors des États-Unis ou du Canada.
7. Le ramassage et la livraison. Ce gros appareil ménager est conçu pour être réparé à domicile.
8. Les réparations aux pièces ou systèmes résultant d'une modification non autorisée faite à l'appareil.
9. Les frais de transport pour le service d'un produit dans les régions éloignées.
10. La dépose et la réinstallation de votre appareil si celui-ci est installé dans un endroit inaccessible ou n'est pas installé conformément aux instructions d'installation fournies.

## CLAUSE D'EXONÉRATION DE RESPONSABILITÉ AU TITRE DES GARANTIES IMPLICITES; LIMITATION DES RECOURS

LE SEUL ET EXCLUSIF RECOURS DU CLIENT DANS LE CADRE DE LA PRÉSENTE GARANTIE LIMITÉE CONSISTE EN LA RÉPARATION PRÉVUE CI-DESSUS. LES GARANTIES IMPLICITES, Y COMPRIS LES GARANTIES APPLICABLES DE QUALITÉ MARCHANDE ET D'APTITUDE À UN USAGE PARTICULIER, SONT LIMITÉES À UN AN OU À LA PLUS COURTE PÉRIODE AUTORISÉE PAR LA LOI. WHIRLPOOL N'ASSUME AUCUNE RESPONSABILITÉ POUR LES DOMMAGES FORTUITS OU INDIRECTS. CERTAINES JURIDICTIONS NE PERMETTENT PAS L'EXCLUSION OU LA LIMITATION DES DOMMAGES FORTUITS OU INDIRECTS, OU LES LIMITATIONS DE LA DURÉE DES GARANTIES IMPLICITES DE QUALITÉ MARCHANDE OU D'APTITUDE À UN USAGE PARTICULIER, DE SORTE QUE CES EXCLUSIONS OU LIMITATIONS PEUVENT NE PAS S'APPLIQUER DANS VOTRE CAS. CETTE GARANTIE VOUS CONFÈRE DES DROITS JURIDIQUES SPÉCIFIQUES ET VOUS POUVEZ ÉGALEMENT JOUIR D'AUTRES DROITS QUI PEUVENT VARIER D'UNE JURIDICTION À UNE AUTRE.

À l'extérieur du Canada et des 50 États des États-Unis, cette garantie ne s'applique pas. Contacter votre marchand Whirlpool autorisé pour déterminer si une autre garantie s'applique.

Si vous avez besoin de service, voir d'abord la section "Dépannage" du Guide d'utilisation et d'entretien. Après avoir vérifié la section "Dépannage", de l'aide supplémentaire peut être trouvée en vérifiant la section "Assistance ou service" ou en appelant Whirlpool. Aux É.-U., composer le **1-800-253-1301**. Au Canada, composer le **1-800-807-6777**. 8/05

**Conservez ce manuel et votre reçu de vente ensemble pour référence ultérieure. Pour le service sous garantie, vous devez présenter un document prouvant la date d'achat ou d'installation.**

Inscrivez les renseignements suivants au sujet de votre gros appareil ménager pour mieux vous aider à obtenir assistance ou service en cas de besoin. Vous devrez connaître le numéro de modèle et le numéro de série au complet. Vous trouverez ces renseignements sur la plaque signalétique située sur le produit.

Nom du marchand \_\_\_\_\_

Adresse \_\_\_\_\_

Numéro de téléphone \_\_\_\_\_

Numéro de modèle \_\_\_\_\_

Numéro de série \_\_\_\_\_

Date d'achat \_\_\_\_\_

**8578901**

© 2005 Whirlpool Corporation.  
All rights reserved.  
Tous droits réservés.

® Registered Trademark/TM Trademark of Whirlpool, U.S.A., Whirlpool Canada LP Licensee in Canada  
® Marque déposée/TM Marque de commerce de Whirlpool, U.S.A., emploi licencié par Whirlpool Canada LP au Canada



12/05  
Printed in U.S.A.  
Imprimé aux É.-U.

## Free Manuals Download Website

<http://myh66.com>

<http://usermanuals.us>

<http://www.somanuals.com>

<http://www.4manuals.cc>

<http://www.manual-lib.com>

<http://www.404manual.com>

<http://www.luxmanual.com>

<http://aubethermostatmanual.com>

Golf course search by state

<http://golfingnear.com>

Email search by domain

<http://emailbydomain.com>

Auto manuals search

<http://auto.somanuals.com>

TV manuals search

<http://tv.somanuals.com>