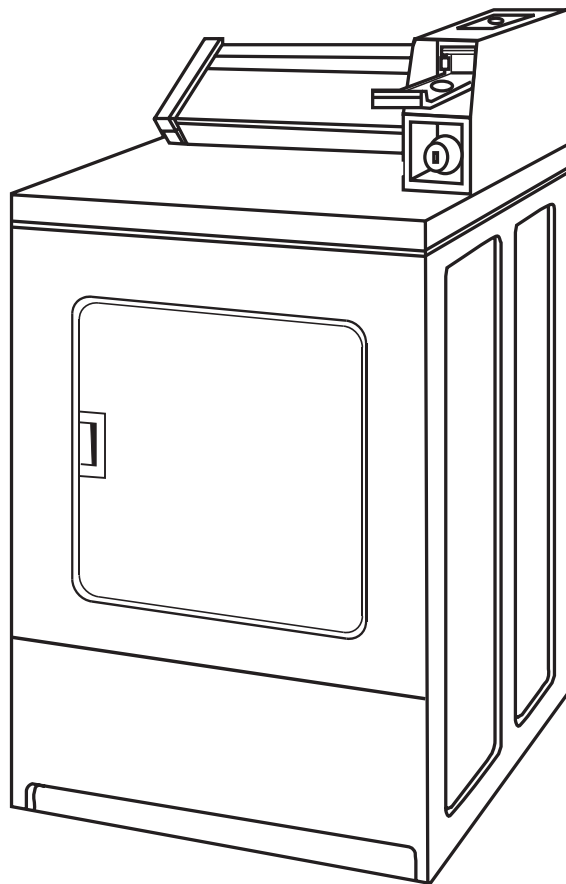

INSTALLATION INSTRUCTIONS

COMMERCIAL DRYER - Gas or Electric

Table of Contents 2



W10103110

TABLE OF CONTENTS

DRYER SAFETY	2
INSTALLATION REQUIREMENTS	4
Tools and Parts	4
Location Requirements.....	4
Electrical Requirements	6
Gas Supply Requirements	7
Venting Requirements	8
INSTALLATION INSTRUCTIONS – GAS DRYER	10
Install Coin Slide and Coin Box.....	10
Make Gas Connection	10
Connect Vent	10
Complete Installation	10
INSTALLATION INSTRUCTIONS – ELECTRIC DRYER	11
Install Coin Slide and Coin Box.....	11
Make Electrical Connection.....	11
Connect Vent	15
Complete Installation	15
CHANGING TO A 30- OR 60-MINUTE TIMING CAM	16

DRYER SAFETY

Your safety and the safety of others are very important.

We have provided many important safety messages in this manual and on your appliance. Always read and obey all safety messages.



This is the safety alert symbol.

This symbol alerts you to potential hazards that can kill or hurt you and others.

All safety messages will follow the safety alert symbol and either the word “DANGER” or “WARNING.”

These words mean:

⚠ DANGER

You can be killed or seriously injured if you don't immediately follow instructions.

⚠ WARNING

You can be killed or seriously injured if you don't follow instructions.

All safety messages will tell you what the potential hazard is, tell you how to reduce the chance of injury, and tell you what can happen if the instructions are not followed.

- It is recommended that the owner post, in a prominent location, instructions for the customer's use in the event the customer smells gas. This information should be obtained from your gas supplier.
- Post the following warning in a prominent location.

FOR YOUR SAFETY

Do not store or use gasoline or other flammable vapors and liquids in the vicinity of this or any other appliance.

WARNING: For your safety, the information in this manual must be followed to minimize the risk of fire or explosion, or to prevent property damage, personal injury, or death.

- **Do not store or use gasoline or other flammable vapors and liquids in the vicinity of this or any other appliance.**
- **WHAT TO DO IF YOU SMELL GAS:**
 - **Do not try to light any appliance.**
 - **Do not touch any electrical switch; do not use any phone in your building.**
 - **Clear the room, building, or area of all occupants.**
 - **Immediately call your gas supplier from a neighbor's phone. Follow the gas supplier's instructions.**
 - **If you cannot reach your gas supplier, call the fire department.**
- **Installation and service must be performed by a qualified installer, service agency, or the gas supplier.**

In the State of Massachusetts, the following installation instructions apply:

- Installations and repairs must be performed by a qualified or licensed contractor, plumber, or gasfitter qualified or licensed by the State of Massachusetts.
- If using a ball valve, it shall be a T-handle type.
- A flexible gas connector, when used, must not exceed 3 feet.

IMPORTANT SAFETY INSTRUCTIONS

WARNING: To reduce the risk of fire, electric shock, or injury to persons when using the dryer, follow basic precautions, including the following:

- Read all instructions before using the dryer.
- Do not place items exposed to cooking oils in your dryer. Items contaminated with cooking oils may contribute to a chemical reaction that could cause a load to catch fire.
- Do not dry articles that have been previously cleaned in, washed in, soaked in, or spotted with gasoline, dry-cleaning solvents, other flammable, or explosive substances as they give off vapors that could ignite or explode.
- Do not allow children to play on or in the dryer. Close supervision of children is necessary when the dryer is used near children.
- Before the dryer is removed from service or discarded, remove the door to the drying compartment.
- Do not reach into the dryer if the drum is moving.
- Do not install or store the dryer where it will be exposed to the weather.
- Do not tamper with controls.
- Do not repair or replace any part of the dryer or attempt any servicing unless specifically recommended in this Use and Care Guide or in published user-repair instructions that you understand and have the skills to carry out.
- Do not use fabric softeners or products to eliminate static unless recommended by the manufacturer of the fabric softener or product.
- Do not use heat to dry articles containing foam rubber or similarly textured rubber-like materials.
- Clean lint screen before or after each load.
- Keep area around the exhaust opening and adjacent surrounding areas free from the accumulation of lint, dust, and dirt.
- The interior of the dryer and exhaust vent should be cleaned periodically by qualified service personnel.
- See installation instructions for grounding requirements.

SAVE THESE INSTRUCTIONS

IMPORTANT: The gas installation must conform with local codes, or in the absence of local codes, with the National Fuel Gas Code, ANSI Z223.1/NFPA 54 or the Canadian Natural Gas and Propane Installation Code, CSA B149.1.

The dryer must be electrically grounded in accordance with local codes, or in the absence of local codes, with the National Electrical Code, ANSI/NFPA 70 or Canadian Electrical Code, CSA C22.1.

INSTALLATION REQUIREMENTS

Tools and Parts

Gather the required tools and parts before starting installation. Read and follow the instructions provided with any tools listed here.

Tools needed

- 8" or 10" Pipe wrench
- 8" or 10" adjustable wrench
- Flat-blade screwdriver
- Phillips screwdriver
- Adjustable wrench that opens to 1" (2.5 cm) or hex-head socket wrench
- Level
- 5/16" socket wrench
- Utility knife
- Vent clamps
- Pipe-joint compound resistant to LP gas
- Caulk gun and caulk (for installing new exhaust vent)
- Pliers
- Putty knife

Parts supplied

Remove parts bag from dryer drum. Check that all parts were included.

- Wedge cone
- Foot boot (4)
- Dryer foot (4)
- 5/16"-18 x 2 1/2" bolt
- 3 pin timing cam
- 6 pin timing cam

Location Requirements

⚠ WARNING



Explosion Hazard

Keep flammable materials and vapors, such as gasoline, away from dryer.

Do not install in a garage.

Failure to do so can result in death, explosion, or fire.

If installing a gas dryer:

IMPORTANT: Observe all governing codes and ordinances.

- Check code requirements: Some codes limit or do not permit installation of clothes dryers in garages, closets, or sleeping quarters. Contact your local building inspector.
- Make sure that lower edges of the cabinet, plus the back and bottom sides of the dryer, are free of obstructions to permit adequate clearance of air openings for combustion air. See "Recessed Area and Closet Installation Instructions" below for minimum spacing requirements.

NOTE: The dryer must not be installed in an area where it will be exposed to water and/or weather.

Recessed Area and Closet Installation Instructions

This dryer may be installed in a recessed area or closet. For recessed area and closet installations, minimum clearances can be found on the serial tag on the dryer.

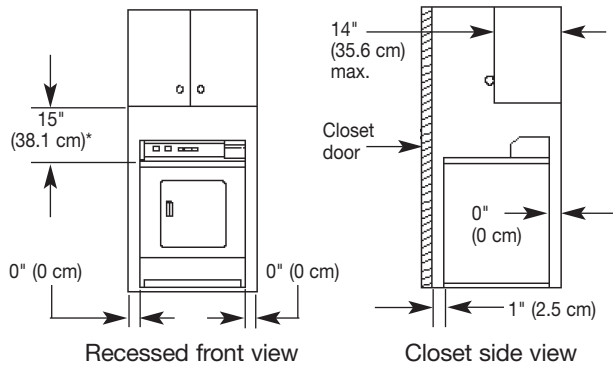
The installation spacing is in inches and is the minimum allowable. Additional spacing should be considered for ease of installation, servicing, and compliance with local codes and ordinances.

If closet door is installed, the minimum unobstructed air opening in the top and bottom is required. Louvered doors with equivalent air openings are acceptable.

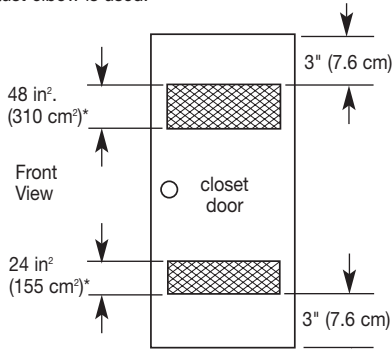
The dryer must be exhausted outdoors.

No other fuel-burning appliance may be installed in the same closet as the dryer.

Minimum Installation Clearances

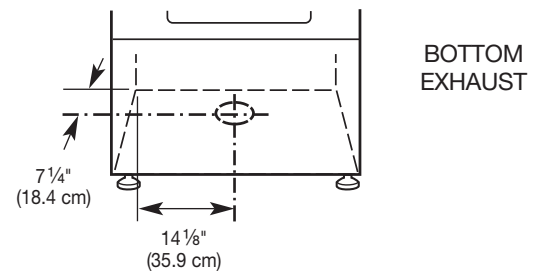
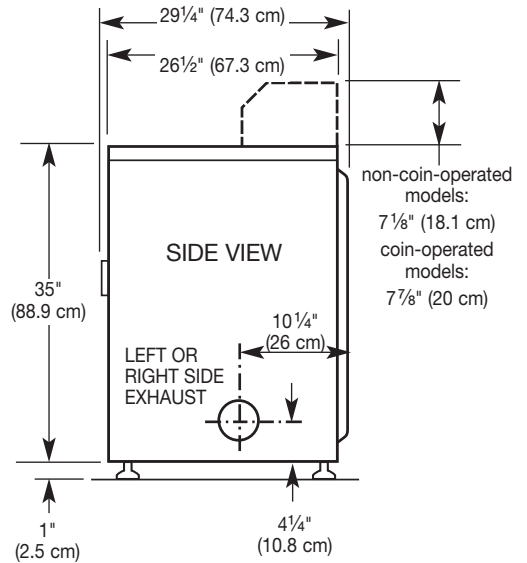
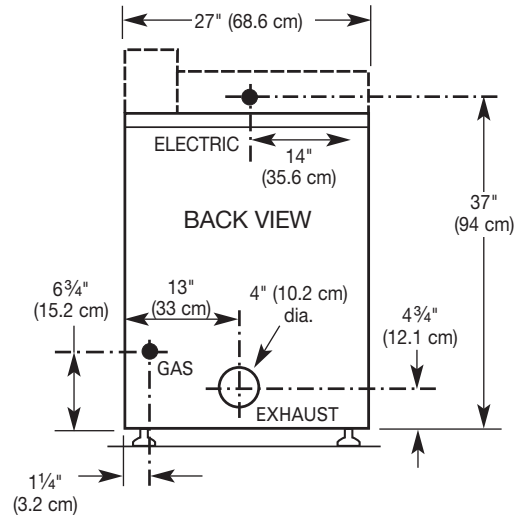


Additional clearances for wall, door and floor moldings may be required or if external exhaust elbow is used.

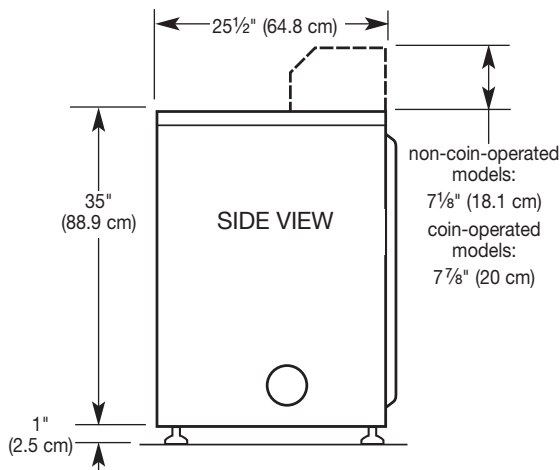
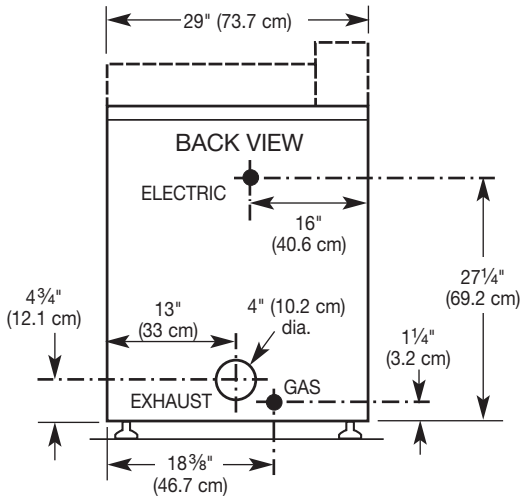


*Opening is the minimum for a closet door.
Louvered doors with equivalent air openings are acceptable.

Product Dimensions 27" (68.6 cm) dryer



Product Dimensions 29" (73.7 cm) dryer



Electrical Requirements - Gas Dryer

⚠ WARNING



Electrical Shock Hazard

Plug into a grounded 3 prong outlet.

Do not remove ground prong.

Do not use an adapter.

Do not use an extension cord.

Failure to follow these instructions can result in death, fire, or electrical shock.

IMPORTANT: The dryer must be electrically grounded in accordance with local codes and ordinances or, in the absence of local codes, with the National Electrical Code, ANSI/NFPA 70, latest edition.

If codes permit and a separate ground wire is used, it is recommended that a qualified electrical installer determine that the ground path is adequate.

A copy of the above code standards can be obtained from:

National Fire Protection Association
One Batterymarch Park, Quincy, MA 02269

- A 120-volt, 60-Hz, AC-only, 15- or 20-amp, fused electrical circuit is required. A time-delay fuse or circuit breaker is also recommended. It is recommended that a separate circuit serving only this dryer be provided.

Recommended Ground Method

The dryer, when installed, must be electrically grounded in accordance with local codes or, in the absence of local codes, with the National Electrical Code, ANSI/NFPA 70, latest edition, and all local codes and ordinances.

GROUNDING INSTRUCTIONS

- For a grounded, cord-connected dryer:
This dryer must be grounded. In the event of a malfunction or breakdown, grounding will reduce the risk of electric shock by providing a path of least resistance for electric current. This dryer is equipped with a cord having an equipment-grounding conductor and a grounding plug. The plug must be plugged into an appropriate outlet that is properly installed and grounded in accordance with all local codes and ordinances.

WARNING: Improper connection of the equipment-grounding conductor can result in a risk of electric shock. Check with a qualified electrician or service representative or personnel if you are in doubt as to whether the dryer is properly grounded. Do not modify the plug provided with the dryer: if it will not fit the outlet, have a proper outlet installed by a qualified electrician.

SAVE THESE INSTRUCTIONS

Electrical Requirements - Electric Dryer

IMPORTANT: The dryer must be electrically grounded in accordance with local codes and ordinances or, in the absence of local codes, with the National Electrical Code, ANSI/NFPA 70, latest edition.

The National Electric Code requires a 4-wire supply connection for homes built after 1996, dryer circuits involved in remodeling after 1996, and all mobile home installations.

If codes permit and a separate ground wire is used, it is recommended that a qualified electrical installer determine that the ground path is adequate.

A copy of the above code standards can be obtained from:

National Fire Protection Association
One Batterymarch Park, Quincy, MA 02269

- A four-wire or three-wire, single-phase, 120/240-volt, 60-Hz, AC-only electrical supply (or four-wire or three-wire, 120/208-volt, if specified on the model/serial rating plate) is required on a separate, 30-amp circuit, fused on both sides of the line. A time-delay fuse or circuit breaker is recommended.

Recommended Ground Method

- It is your responsibility to contact a qualified electrical installer to ensure that the electrical installation is adequate and in conformance with the National Electrical Code, ANSI/NFPA 70, latest edition, and all local codes and ordinances.

GROUNDING INSTRUCTIONS

- For a grounded, cord-connected dryer:
This dryer must be grounded. In the event of a malfunction or breakdown, grounding will reduce the risk of electric shock by providing a path of least resistance for electric current. This dryer uses a cord having an equipment-grounding conductor and a grounding plug. The plug must be plugged into an appropriate outlet that is properly installed and grounded in accordance with all local codes and ordinances.
- For a permanently connected dryer:
This dryer must be connected to a grounded metal, permanent wiring system, or an equipment-grounding conductor must be run with the circuit conductors and connected to the equipment-grounding terminal or lead on the dryer.

WARNING: Improper connection of the equipment-grounding conductor can result in a risk of electric shock. Check with a qualified electrician or service representative or personnel if you are in doubt as to whether the dryer is properly grounded. Do not modify the plug on the power supply cord: if it will not fit the outlet, have a proper outlet installed by a qualified electrician.

SAVE THESE INSTRUCTIONS

Gas Supply Requirements

⚠ WARNING



Explosion Hazard

Use a new CSA International approved gas supply line.

Install a shut-off valve.

Securely tighten all gas connections.

If connected to LP, have a qualified person make sure gas pressure does not exceed 14" (36 cm) water column.

**Examples of a qualified person include:
licensed heating personnel,
authorized gas company personnel, and
authorized service personnel.**

Failure to do so can result in death, explosion, or fire.

IMPORTANT: Observe all governing codes and ordinances.

This installation must conform with all local codes and ordinances. In the absence of local codes, installation must conform with American National Standard, National Fuel Gas Code ANSI Z223.1/NFPA 54.

A copy of the above code standards can be obtained from:

National Fire Protection Association
One Batterymarch Park, Quincy, MA 02269

The design of this dryer has been certified by CSA International for use at altitudes up to 10,000 feet (3048 m) above sea level at the B.T.U. rating indicated on the model/serial plate. Burner input adjustments are not required when the dryer is operated up to this elevation.

When installed above 10,000 feet (3048 m), a four percent (4%) reduction of the burner B.T.U. rating shown on the model/serial plate is required for each 1,000 foot (305 m) increase in elevation. For assistance when converting to other gas types and/or installing above 10,000 feet (3048 m) elevation, contact your local service company.

Type of Gas

This dryer is equipped for use with natural gas. It is design-certified by CSA International for LP (propane and butane) gases with appropriate conversion. No attempt shall be made to convert the dryer from the gas specified on the serial/rating plate for use with a different gas without consulting the serving gas supplier. Conversion must be done by a qualified person. Gas conversion kit part numbers are listed on the gas valve burner base.

Gas Supply Line

Recommended method

- Provide a gas supply line of ½" rigid (IPS) pipe to the dryer location. Pipe joint compounds that resist the action of LP gas must be used. Do not use TEFLON[†] tape. With LP gas, piping or tubing size can be ½" minimum. Usually, LP gas suppliers determine the size and materials used in the system.

Alternate method

- The gas supply may also be connected using ¾" approved copper or aluminum tubing. If the total length of the supply line is more than 20 feet (6.1 m), larger tubing will be required. If using natural gas, do not use copper tubing. Pipe joint compounds that resist the action of LP gas must be used.

Flexible metal appliance connector:

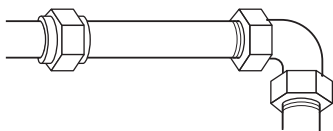
- It is recommended that a new flexible stainless steel gas line, design-certified by CSA International, be used for connecting the dryer to the gas supply line. (The gas pipe which extends through the lower rear of the dryer is provided with ¾" male pipe thread.)



- Do not kink or damage the flexible stainless steel gas line when moving the dryer.

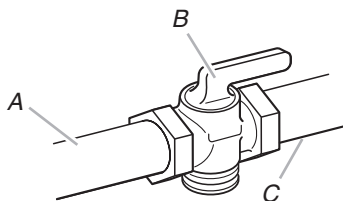
Rigid pipe connection:

The rigid pipe connection requires a combination of pipe fittings to obtain an in-line connection to the dryer.



- Must include a shutoff valve:

The supply line must be equipped with a manual shutoff valve installed within 6 ft. (1.8 m) of the dryer in accordance with National Fuel Gas Code, ANSI Z223.1. This valve should be located in the same room as the dryer. It should be in a location that allows ease of opening and closing. Do not block access to shutoff valve. The valve is for turning on or shutting off gas to the dryer.



A. Gas supply line
B. Shutoff valve "open" position
C. To dryer

- Installed in a confined area:

If the dryer is installed in a confined area such as a bathroom or closet, provision must be made for enough air for combustion and ventilation. Check governing codes and ordinances or refer to the "Recessed Area and Closet Installation Instructions" in the "Location Requirements" section.

Gas Supply Pressure Testing

A ⅛" NPT minimum plugged tapping, accessible for gauge testing, must be installed immediately upstream of the gas supply connection to the dryer.

The dryer must be disconnected from the gas supply piping system during any pressure testing of the system at test pressures in excess of ½ psig.

Venting Requirements

⚠ WARNING



Fire Hazard

Use a heavy metal vent.

Do not use a plastic vent.

Do not use a metal foil vent.

Failure to follow these instructions can result in death or fire.

WARNING: To reduce the risk of fire, this dryer **MUST BE EXHAUSTED OUTDOORS.**

- The dryer vent must not be connected into any gas vent, chimney, wall, ceiling, or a concealed space of a building.
- Do not use an exhaust hood with a magnetic latch.
- Do not install flexible metal vent in enclosed walls, ceilings or floors.
- 4" (10.2 cm) heavy metal vent and clamps must be used.
- Use clamps to seal all joints. Vent must not be connected or secured with screws or other fastening devices which extend into the interior of the vent. Do not use duct tape.

IMPORTANT: Observe all governing codes and ordinances.

Use a heavy metal vent. Do not use plastic or metal foil vent.

Rigid metal vent is recommended to prevent crushing and kinking.

Flexible metal vent must be fully extended and supported when the dryer is in its final position. Remove excess flexible metal vent to avoid sagging and kinking that may result in reduced airflow and poor performance.

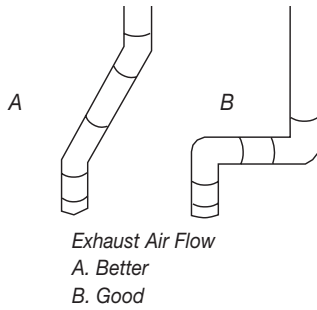
An exhaust hood should cap the vent to prevent rodents and insects from entering the home or business.

Exhaust hood must be at least 12" (30.5 cm) from the ground or any object that may be in the path of the exhaust (such as flowers, rocks or bushes).

[†]TEFLON is a registered trademark of E.I. Du Pont De Nemours and Company.

If using an existing vent system, clean lint from the entire length of the system and make sure exhaust hood is not plugged with lint. Replace any plastic or metal foil vent with rigid metal or flexible metal vent.

Plan installation to use the fewest number of elbows and turns.



Allow as much room as possible when using elbows or making turns. Bend vent gradually to avoid kinking.

Vent outlet is located at the center of the bottom dryer back.

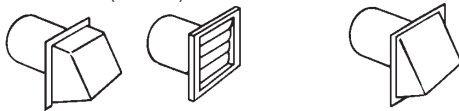
The vent can be routed up, down, left, right, behind the dryer or straight out the back of the dryer.

Vent System Length

Maximum length of vent system depends upon the type of vent used, number of elbows and type of exhaust hood. The maximum length for both rigid and flexible vent is shown in the chart.

Maximum Vent Length

4" (10.2 cm) Diameter Exhaust Hoods



Rigid Metal Vent

No. of 90° turns	Box Hood and Louvered Style	Angled Hood Style
0	64 ft. (19.5 m)	58 ft. (17.7 m)
1	54 ft. (16.5 m)	48 ft. (14.6 m)
2	44 ft. (13.4 m)	38 ft. (11.6 m)
3	35 ft. (10.7 m)	29 ft. (8.8 m)
4	27 ft. (8.2 m)	21 ft. (6.4 m)

Flexible Metal Vent

No. of 90° turns	Box Hood and Louvered Style	Angled Hood Style
0	36 ft. (11.0 m)	28 ft. (8.5 m)
1	31 ft. (9.4 m)	23 ft. (7.0 m)
2	27 ft. (8.2 m)	19 ft. (5.8 m)
3	25 ft. (7.6 m)	17 ft. (5.2 m)
4	23 ft. (7.0 m)	15 ft. (4.6 m)

For vent systems not covered by the vent specification chart, see Whirlpool Service Manual, "Exhausting Whirlpool Dryers," Part No. LIT603197, available from your Whirlpool parts distributor.

If dryer is installed in a confined area, such as a bedroom, bathroom or closet, provision must be made for enough air for combustion and ventilation. (Check governing codes and ordinances.) See "Recessed Area and Closet Installation Instructions" in the "Location Requirements" section.

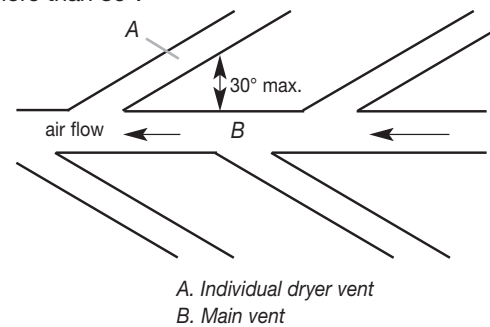
A four-inch outlet hood is preferred. However, a 2½" (6.4 cm) outlet exhaust hood may be used. A 2½" (6.4 cm) outlet creates greater back pressure than other hood types. For permanent installation, a stationary vent system is required.

Multiple Dryer Venting

- A main vent can be used for venting a group of dryers. Main vent should be sized to remove 200 CFM of air per dryer. Large-capacity lint screens of proper design may be used in the main vent if checked and cleaned frequently. The room where the dryers are located should have make-up air equal to or greater than the CFM of all the dryers in the room.
- Back-draft Damper Kits, Part No. 3391910, are available from your Whirlpool dealer and should be installed in each dryer's vent to prevent exhausted air from returning into the dryers and to keep the exhaust in balance within the main vent. Unobstructed air openings are required.

Each vent should enter the main vent at an angle pointing in the direction of the airflow. Vents entering from the opposite side should be staggered to reduce the exhausted air from interfering with the other vents.

The maximum angle of each vent entering the main vent should be no more than 30°.

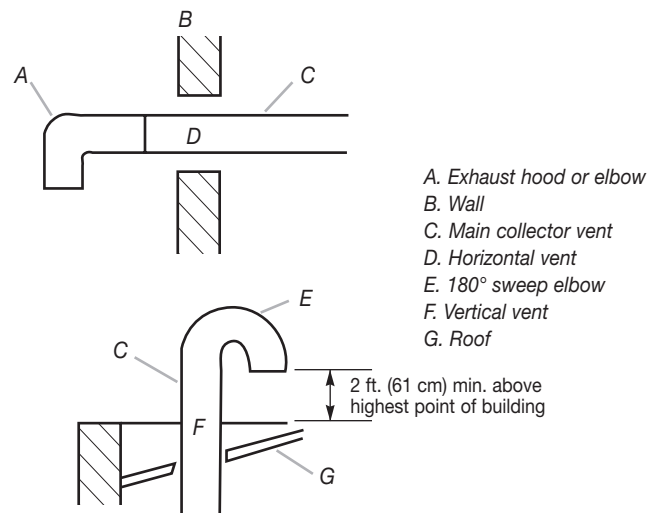


Keep air openings free of dry cleaning fluid fumes. Fumes create acids which, when drawn through the dryer heating units, can damage dryers and loads being dried.

A clean-out cover should be located on the main vent for periodic cleaning of the vent system.

If an exhaust hood cannot be used:

The outside end of the main vent should have a sweep elbow directed downward. If the main vent travels vertically through the roof, rather than through the wall, install a 180° sweep elbow on the end of the vent at least 2 feet (61 cm) above the highest part of the building. The opening wall or roof shall have a diameter ½" (1.3 cm) larger than the vent diameter. The vent should be centered in the opening.



Do not install screening or cap over the end of the vent.

INSTALLATION INSTRUCTIONS – GAS DRYER

Install Coin Slide and Coin Box

The console houses the factory-installed accumulator timer with actuating arm and button.

The factory-installed timer is set to provide 45 minutes (4 pins) of drying time when activated by the coin slide. Timer cams for 30-minute (6 pins) and 60-minute (3 pins) drying times are included in the parts bag.

The coin slide mechanism, control panel lock and key, and coin box lock and key are not included and are available from usual industry sources.

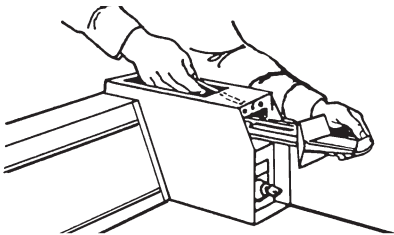
⚠ WARNING

Excessive Weight Hazard

**Use two or more people to move and install dryer.
Failure to do so can result in back or other injury.**

NOTE: Slide dryer onto cardboard or hardboard before moving to avoid damaging floor covering.

1. Using two or more people, move dryer to desired installation location.
2. Take tape off front corners of dryer. Open dryer and remove the literature and parts packages. Wipe the interior of the drum thoroughly with a damp cloth.
3. Take two of the cardboard corners from the carton and place them on the floor in back of the dryer. Firmly grasp the body of the dryer and gently lay it on its back on the cardboard corners.
4. With one of the legs in hand, check the ridges for a diamond marking. That's how far the leg is supposed to go into the hole.
5. Start to screw the leveling legs into the holes by hand. (Use a small amount of liquid detergent to lubricate the screw threads so it is easier to turn the legs.) Use a 1-inch wrench or socket wrench to finish turning the legs until you reach the diamond mark.
Now stand the dryer up.
6. Remove the service door of the meter case by lifting it up at the back. Install the money-accepting device. (Refer to manufacturer's instructions for proper installation.)



For dryers using coin slides, use the adapter kit supplied with the dryer.

7. Replace the meter case service door. Put the coin vault with lock and key in the meter case opening.
8. Remove cardboard or hardboard from under dryer.

Make Gas Connection

1. Remove red cap from gas pipe.
2. Connect gas supply to dryer. Use pipe-joint compound resistant to the action of L.P. gas for gas connections. If flexible metal tubing is used, be certain there are no kinks.
If necessary for service, open the toe panel. Use a putty knife to press on the toe panel lock located at the center top of the toe panel. Pull downward on the toe panel to open. Toe panel is hinged at the bottom.
3. Open the shutoff valve in the gas supply line.
4. Test all connections by brushing on an approved noncorrosive leak-detection solution. Bubbles will show a leak. Correct any leak found.

Connect Vent

1. Using a 4" (10.2 cm) clamp, connect vent to exhaust outlet in dryer. If connecting to existing vent, make sure the vent is clean. The dryer vent must fit over the dryer exhaust outlet and inside the exhaust hood. Make sure the vent is secured to exhaust hood with a 4" (10.2 cm) clamp.
2. Move dryer into final position. Do not crush or kink vent. Make sure dryer is level.
3. Check to be sure there are no kinks in the flexible gas line.

Complete Installation

1. With dryer in final position place level on top of the dryer, first side to side; then front to back. If the dryer is not level, adjust the legs of the dryer up or down until the dryer is level.

⚠ WARNING



Electrical Shock Hazard

Plug into a grounded 3 prong outlet.

Do not remove ground prong.

Do not use an adapter.

Do not use an extension cord.

Failure to follow these instructions can result in death, fire, or electrical shock.

2. Plug into a grounded 3 prong outlet.
3. Check dryer operation (some accumulated time may be on the timer due to factory testing).
Insert coins in slide and press slide in slowly. (Operating time will accumulate per number of coins and type of timing cam used.) Push START/RESTART button. Using a full heat cycle

(not the air cycle), let the dryer run for at least five minutes. Dryer will stop when time is used up.

NOTE: Dryer door must be closed for dryer to operate. When door is open, dryer stops, but timer continues to run. To restart dryer, close door and push START/RESTART button.

4. If the burner does not ignite and you can feel no heat inside the dryer, shut off dryer for five minutes. Check that all supply valve controls are in "ON" position and that the electrical cord is plugged in. Repeat five-minute test.
5. If drying time is too long, make sure lint screen is clean.

INSTALLATION INSTRUCTIONS - ELECTRIC DRYER

Install Coin Slide and Coin Box

The console houses the factory-installed accumulator timer with actuating arm and button.

The factory-installed timer is set to provide 45 minutes (4 pins) of drying time when activated by the coin slide. Timer cams for 30-minute (6 pins) and 60-minute (3 pins) drying times are included in the parts bag.

The coin slide mechanism, control panel lock and key, and coin box lock and key are not included and are available from usual industry sources.

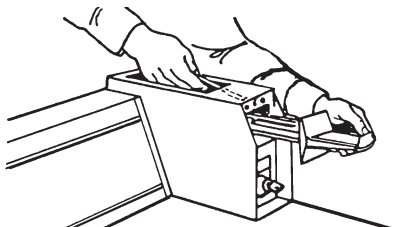
⚠ WARNING

Excessive Weight Hazard

**Use two or more people to move and install dryer.
Failure to do so can result in back or other injury.**

NOTE: Slide dryer onto cardboard or hardboard before moving to avoid damaging floor covering.

1. Using two or more people, move dryer to desired installation location.
2. Take tape off front corners of dryer. Open dryer and remove the literature and parts packages. Wipe the interior of the drum thoroughly with a damp cloth.
3. Take two of the cardboard corners from the carton and place them on the floor in back of the dryer. Firmly grasp the body of the dryer and gently lay it on its back on the cardboard corners.
4. With one of the legs in hand, check the ridges for a diamond marking. That's how far the leg is supposed to go into the hole.
5. Start to screw the leveling legs into the holes by hand. (Use a small amount of liquid detergent to lubricate the screw threads so it is easier to turn the legs.) Use a 1-inch wrench or socket wrench to finish turning the legs until you reach the diamond mark.
Now stand the dryer up.
6. Remove the service door of the meter case by lifting it up at the back. Install the money-accepting device. (Refer to manufacturer's instructions for proper installation.)



For dryers using coin slides, use the adapter kit supplied with the dryer.

7. Replace the meter case service door. Put the coin vault with lock and key in the meter case opening.
8. Remove cardboard or hardboard from under dryer.

Make Electrical Connection

Power Supply Cord Method – U.S. Only

This dryer is manufactured with the neutral ground wire connected to the neutral (center) of the wiring harness at the terminal block. If local codes do not permit this type of connection, use "Four-wire connection" instructions.

Use a UL-listed power supply cord rated 240-volt min., 30-amp and marked for use with a clothes dryer.

⚠ WARNING



Fire Hazard

Use a new UL listed 30 amp power supply cord.

Use a UL listed strain relief.

Disconnect power before making electrical connections.

Connect neutral wire (white or center wire) to center terminal (silver).

Ground wire (green or bare wire) must be connected to green ground connector.

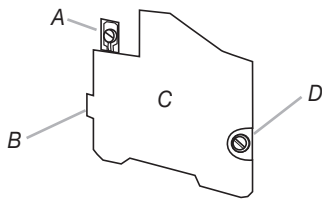
Connect remaining 2 supply wires to remaining 2 terminals (gold).

Securely tighten all electrical connections.

Failure to do so can result in death, fire, or electrical shock.

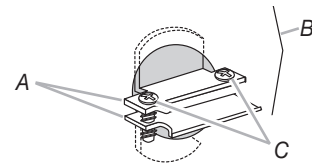
1. Disconnect power.

2. Remove hold-down screw and the terminal block cover.



- A. External ground conductor screw
- B. Tab
- C. Terminal block cover
- D. Hold-down screw

3. Assemble 3/4" UL-listed strain relief (UL marking on strain relief) into the hole below the terminal block opening. Tighten strain relief screws just enough to hold the two clamp sections together. Install power supply cord through the strain relief.

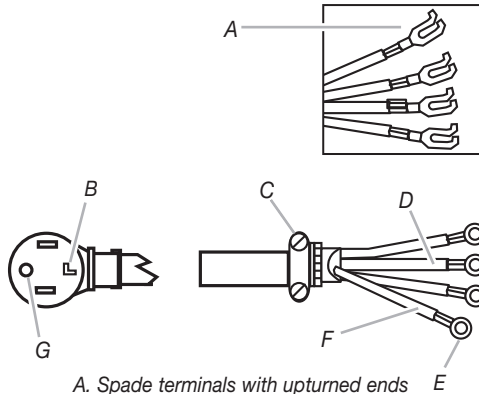


- A. Strain relief clamp sections
- B. Dryer cabinet
- C. Strain relief screws

4. Complete installation following instructions for your type of electrical connection:

- Four-wire (recommended method)
- Three-wire (if four-wire is not available)

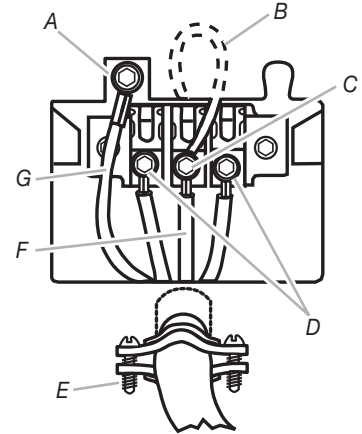
Power Supply Cord, Four-wire electrical connection:



- A. Spade terminals with upturned ends
- B. Neutral
- C. 3/4" UL-listed strain relief
- D. Neutral (white)
- E. Ring terminals
- F. Ground wire
- G. Ground prong

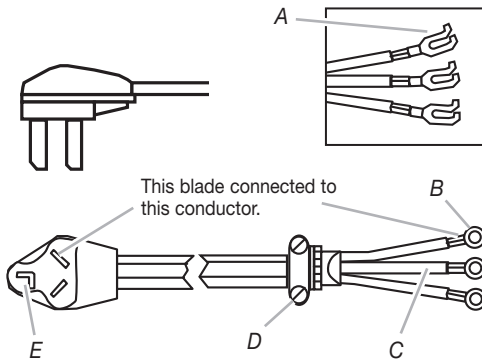
Four-wire power supply cord must have four, No.-10 copper wires and match a four-wire receptacle of NEMA Type 14-30R. The fourth wire (ground conductor) must be identified by a green cover and the neutral conductor by a white cover.

5. Remove the center terminal block screw.
6. Remove the appliance neutral ground wire from the external ground conductor screw. Fasten under center, silver-colored terminal block screw.
7. Connect the ground wire of the power supply cord to the external ground conductor screw. Tighten screw.
8. Connect the neutral wire (white or center) of the power supply cord under the center screw of the terminal block. Tighten screw.
9. Connect the other wires to outer terminal block screws. Tighten screws.
10. Tighten strain relief screws.
11. Insert tab of the terminal block cover into slot of the dryer rear panel. Secure cover with hold-down screw.



- A. External ground conductor screw
- B. Appliance neutral ground wire
- C. Center terminal block screw
- D. Outer terminal block screws
- E. Strain relief screw
- F. Neutral (center wire)
- G. Ground wire

**Power Supply Cord,
Three-wire electrical connection:**

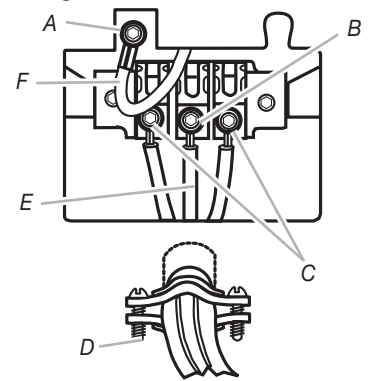


- A. Spade terminals with upturned ends
- B. Ring terminals
- C. Neutral (white or center)
- D. 3/4" UL-listed strain relief
- E. Neutral

Three-wire power supply cord must have three, No.-10 copper wires and match a three-wire receptacle of NEMA Type 10-30R.

Use this method where local codes permit connecting neutral ground wire to neutral wire:

5. Loosen or remove the center terminal block screw.
6. Connect the neutral wire (white or center) of the power supply cord to the center, silver-colored terminal screw of the terminal block. Tighten screw.
7. Connect the other wires to outer terminal block screws. Tighten screws.
8. Tighten strain relief screws.
9. Insert tab of the terminal block cover into slot of the dryer rear panel. Secure cover with hold-down screw.

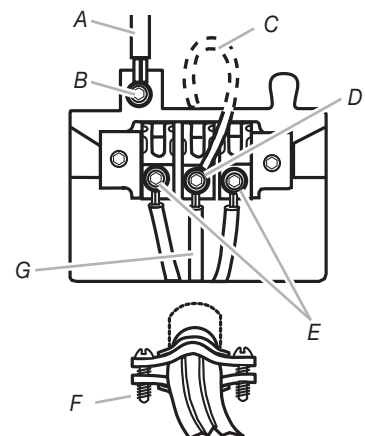


- A. External ground conductor screw
- B. Center terminal block screw
- C. Outer terminal block screws
- D. Strain relief screw
- E. Neutral (center wire)
- F. Appliance neutral ground wire

Use this method where local codes do not permit connecting neutral ground wire to neutral wire:

5. Remove the center terminal block screw.
6. Remove the appliance neutral ground wire from the external ground conductor screw. Connect the appliance neutral ground wire and the neutral wire (white or center) of the power supply cord under the center, silver-colored terminal block screw. Tighten screw.
7. Connect the other wires to outer terminal block screws. Tighten screws.
8. Tighten strain relief screws.
9. Insert tab of the terminal block cover into slot of the dryer rear panel. Secure cover with hold-down screw.
10. After reattaching the terminal cover, connect a separate copper ground wire from the external ground conductor screw to an adequate ground.

If codes permit and a separate ground wire is used, it is recommended that a qualified electrician determine that the ground path is adequate.



- A. Separate copper ground wire
- B. External ground conductor screw
- C. Appliance neutral ground wire
- D. Center terminal block screw
- E. Outer terminal block screws
- F. Strain relief screw
- G. Neutral (center wire)

Direct Wire Method – U.S. Only

⚠ WARNING



Fire Hazard

Use 10 gauge solid copper wire.

Use a UL listed strain relief.

Disconnect power before making electrical connections.

Connect neutral wire (white or center wire) to center terminal (silver).

Ground wire (green or bare wire) must be connected to green ground connector.

Connect remaining 2 supply wires to remaining 2 terminals (gold).

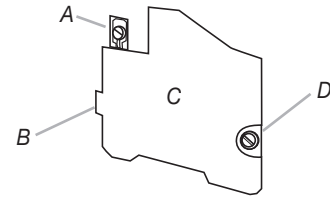
Securely tighten all electrical connections.

Failure to do so can result in death, fire, or electrical shock.

Direct wire cable must match power supply (4-wire or 3-wire) and be:

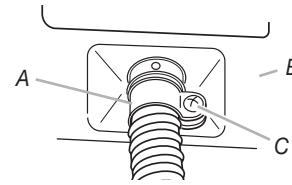
- Flexible armored cable or nonmetallic sheathed copper cable (with ground wire), protected with flexible metallic conduit. All current-carrying wires must be insulated.
- 10-gauge solid copper wire (do not use aluminum).
- At least 5 ft. (1.52 m) long.

1. Disconnect power.
2. Remove hold-down screw and terminal block cover.



A. External ground conductor screw
B. Tab
C. Terminal block cover
D. Hold-down screw

3. Install 3/4" conduit connector into the hole below the terminal block opening. Connect flexible metallic conduit and tighten connector screw. Install direct wire cable through the flexible metallic conduit.

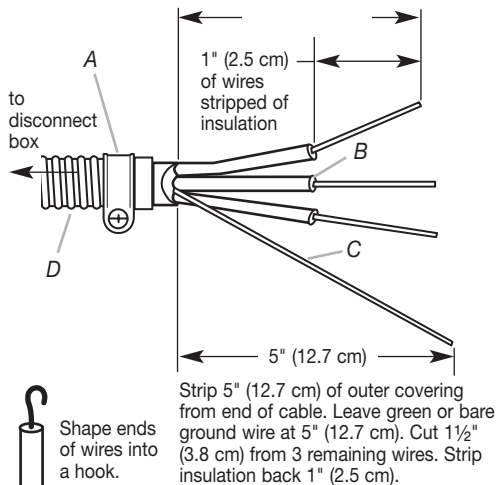


A. Conduit connector
B. Dryer cabinet
C. Connector screw

4. Complete installation following instructions for your type of electrical connection:

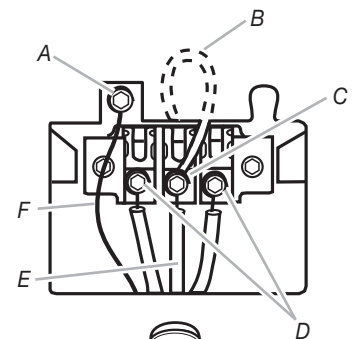
- Four-wire (recommended method)
- Three-wire (if four-wire is not available)

Direct Wire, Four-wire electrical connection:



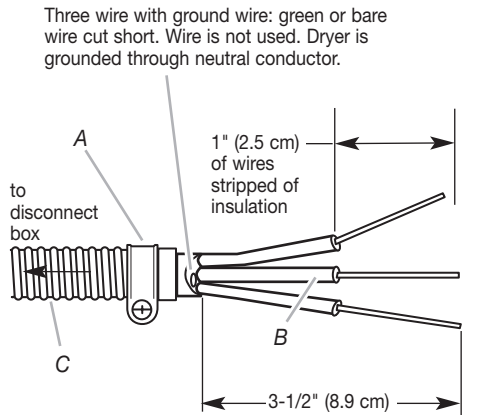
A. 3/4" conduit connector
B. Neutral (white or center)
C. Ground wire (green or bare)
D. 10-gauge, 3 wire with ground wire in

5. Remove the center terminal block screw.
6. Remove the appliance neutral ground wire from the external ground conductor screw. Fasten under center, silver-colored terminal block screw.
7. Connect the ground wire (green or bare) of the direct wire cable to the external ground conductor screw. Tighten screw.
8. Place the hooked end of the neutral wire (white or center) of the direct wire cable under the center screw of the terminal block (hook facing right). Squeeze hook end together. Tighten screw.
9. Place the hooked ends of the other direct wire cable wires under the outer terminal block screws (hook facing right). Squeeze hooked ends together. Tighten screws.
10. Insert tab of the terminal block cover into slot of the dryer rear panel. Secure cover with hold-down screw.

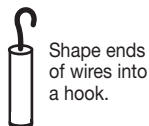


A. External ground conductor screw
B. Appliance neutral ground wire
C. Center terminal block screw
D. Outer terminal block screws
E. Neutral (center wire)
F. Green or bare ground wire

Direct Wire, Three-wire electrical connection:



Three wire with ground wire: green or bare wire cut short. Wire is not used. Dryer is grounded through neutral conductor.



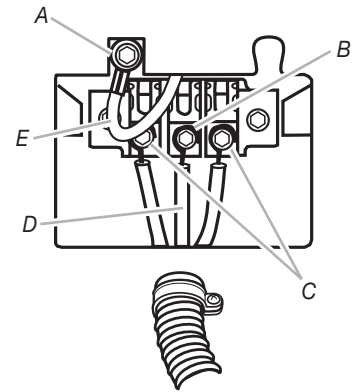
Shape ends of wires into a hook.

Strip 3 1/2" (8.9 cm) of outer covering from end of cable. Strip insulation back 1" (2.5 cm). If using 3 wire cable with ground wire, cut green or bare wire even with outer covering.

- A. 3/4" conduit connector
- B. Neutral (white or center)
- C. 10-gauge, 3 wire with ground wire in flexible metallic conduit

Use this method where local codes permit connecting neutral ground wire to neutral wire:

5. Loosen or remove the center terminal block screw.
6. Place the hooked end of the neutral wire (white or center) of the direct wire cable under the center screw of the terminal block (hook facing right). Squeeze hooked end together. Tighten screw.
7. Place the hooked ends of the other direct wire cable wires under the outer terminal block screws (hook facing right). Squeeze hooked ends together. Tighten screws.
8. Insert tab of the terminal block cover into slot of the dryer rear panel. Secure cover with hold-down screw.

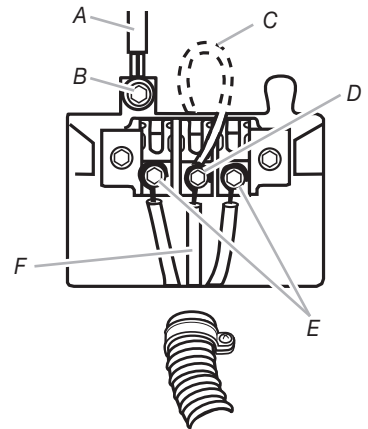


- A. External ground conductor screw
- B. Center terminal block screw
- C. Outer terminal block screws
- D. Neutral (center wire)
- E. Appliance neutral ground wire

Use this method where local codes do not permit connecting neutral ground wire to neutral wire:

5. Remove the center terminal block screw.
6. Remove the appliance neutral ground wire from the external ground conductor screw. Connect the appliance neutral ground wire and the neutral wire (white or center) of the direct wire cable under the center, silver-colored terminal block screw. Tighten screw.
7. Connect the other wires to outer terminal block screws. Tighten screws.
8. Insert tab of the terminal block cover into slot of the dryer rear panel. Secure cover with hold-down screw.
9. After reattaching the terminal cover, connect a separate copper ground wire from the external ground connector screw to an adequate ground.

If codes permit and a separate ground wire is used, it is recommended that a qualified electrician determine that the ground path is adequate.



- A. Separate copper ground wire
- B. External ground conductor screw
- C. Appliance neutral ground wire
- D. Center terminal block screw
- E. Outer terminal block screws
- F. Neutral (center wire)

Connect Vent

1. Using a 4" (10.2 cm) clamp, connect vent to exhaust outlet in dryer. If connecting to existing vent, make sure the vent is clean. The dryer vent must fit over the dryer exhaust outlet and inside the exhaust hood. Make sure the vent is secured to exhaust hood with a 4" (10.2 cm) clamp.
2. Move dryer into final position. Do not crush or kink vent. Make sure dryer is level.

Complete Installation

1. With dryer in final position place level on top of the dryer, first side to side; then front to back. If the dryer is not level, adjust the legs of the dryer up or down until the dryer is level.

2. Plug in dryer or reconnect power.
3. Check dryer operation (some accumulated time may be on the timer due to factory testing).
Insert coins in slide and press slide in slowly. (Operating time will accumulate per number of coins and type of timing cam used.) Push START/RESTART button. Using a full heat cycle (not the air cycle), let the dryer run for at least five minutes. Dryer will stop when time is used up.
NOTE: Dryer door must be closed for dryer to operate. When door is open, dryer stops, but timer continues to run. To restart dryer, close door and push START/RESTART button.
4. If drying time is too long, make sure lint screen is clean.
5. Now start the dryer and allow it to complete a full heat cycle (not air cycle) to make sure it is working properly.

CHANGING TO A 30- OR 60-MINUTE TIMING CAM

⚠ WARNING



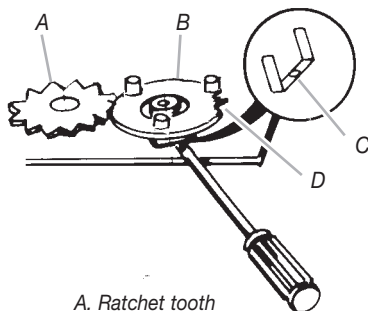
Electrical Shock Hazard

Disconnect power before making cam changes.

Failure to follow these instructions can result in death or electrical shock.

You can install the 30-minute or 60-minute timing cam (shipped with dryer) as follows:

1. Unplug dryer or disconnect power.
2. Unlock meter case.
3. Turn the timing cam by hand until the V-shaped notch lines up below the ratchet tooth.



A. Ratchet tooth
B. Timing cam
C. Drive lug
D. V-shaped notch

4. Insert a narrow, flat-blade screwdriver under the timing cam near the clock shaft. Gently lift cam straight up and off shaft making sure that the V-shaped notch clears the ratchet tooth.
5. Place new cam (hub side down) over clock shaft. Line up flat side of shaft with flat side of cam hole. Check that drive lug is in place.
6. Turn cam until V-shaped notch lines up with ratchet tooth.
7. Press cam down in place on motor shaft. Make sure that V-shaped notch clears the ratchet tooth.
8. Close and lock the meter case.

Maintenance instructions:

- Clean lint screen after each cycle.
- Removing accumulated lint:
 - From inside the dryer cabinet:

Lint should be removed every 2 years or more often, depending on dryer usage. Cleaning should be done by a qualified person.
 - From the exhaust vent:

Lint should be removed every 2 years, or more often, depending on dryer usage.

If dryer does not operate check the following:

- Electric supply is connected.
- Circuit breaker is not tripped or house fuse is not blown.
- Door is closed.
- Controls are set in a running or "ON" position.
- START button has been pushed firmly.
- For gas dryers, check that gas supply shutoff valves are set in open position.

If you need assistance:

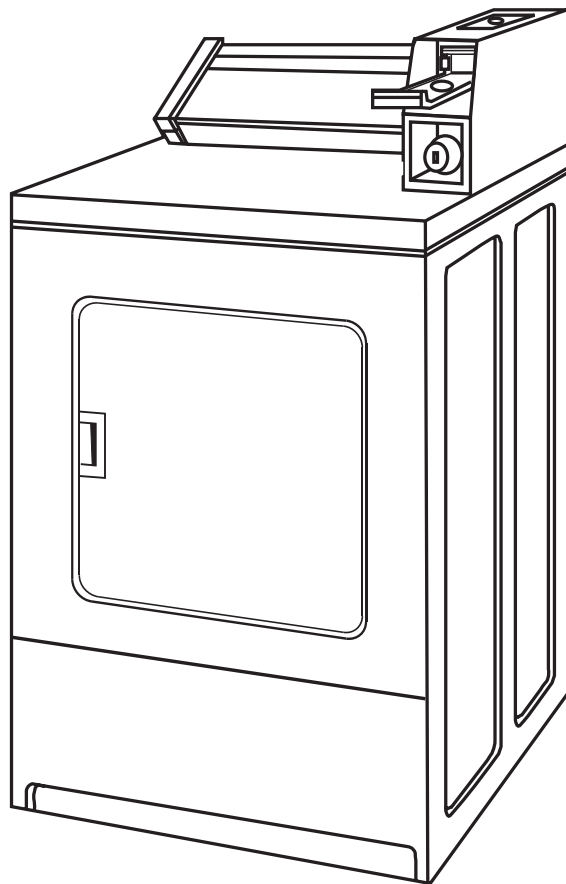
The Commercial Laundry Support Center will answer any questions about operating or maintaining your dryer not covered in the Installation Instructions. The Commercial Laundry Support Center is open 24 hours a day, 7 days a week. Just dial 1-800 NO BELTS (1-800-662-3587) — the call is toll free.

When you call, you will need the dryer model number and serial number. Both numbers can be found on the serial-rating plate located in the dryer door well.

安裝說明書

商用烘乾機（燃氣或電動）

目錄 2



目錄

烘乾機安全要求	2
安裝要求	4
工具和部件	4
位置要求	4
電氣要求	6
燃氣要求	7
通風要求	8
安裝說明 - 燃氣烘乾機	10
安裝硬幣滑道和硬幣盒	10
氣路連通	10
通風口連接	10
完成安裝	10
安裝說明 - 電動烘乾機	11
安裝硬幣滑道和硬幣盒	11
電路連通	11
通風口連接	15
完成安裝	15
改裝成30或60分鐘的計時凸輪	16

烘乾機安全要求

您及他人的安全是最重要的。

我們在本手冊中以及在您的家用電器上提供了許多重要的安全資訊。一定要閱讀並遵守所有這些安全資訊。



這是安全警報標誌。

這警報標誌警戒你潛在危險、可能會導致你和他人死亡或受傷。

所有安全信息會在安全警報標誌或“危險”或“警告”字眼後面。

這些字眼的意思是：

⚠ 危險

如果您不立即遵守指令，將會有生命危險或造成嚴重傷害。

⚠ 警告

如果您不遵守指令，將會有生命危險或造成嚴重傷害。

所有這些安全資訊告訴您潛在危險是什麼、如何使您減少傷害的可能以及如果不遵守，將會有什麼樣的後果。

- 我們建議烘乾機所有者將安全建議張貼在顯著位置，以使用戶在聞到汽油味道時採取相應措施。該信息可從您的供氣商處得到。
- 在顯著位置張貼下列警告標誌。

為了您的安全

在本機器或任何其它機器附近，請不要儲存或使用汽油或其它易燃性氣體或液體。

警告：為了您的安全起見，必需遵守本手冊中的要求以便最大限度地減少起火或爆炸的危險，或者防止財產損失、個人受傷或死亡。

- 不要在本機器或任何其它機器附近儲存或使用汽油或其它易燃氣體或液體。
- 當您聞到汽油味道時應該這樣做：
 - 不要開任何電器上的燈。
 - 不要觸摸任何電氣開關，不要使用您建築物中的任何電話。
 - 疏散房間、建築物或區域內的所有人員。
 - 立即用您鄰居家的電話致電您的供氣商。遵從供氣商的指導。
 - 如果不能聯繫上您的供氣商，請致電消防部門。
- 必須由一位有資格的安裝人員、服務代理或供氣商進行安裝和服務。

在馬薩諸塞州，應遵守下列安裝要求：

- 安裝和維修必須由一位有資格或有執照的分銷商、水管工或由馬薩諸塞州授予資格或頒發執照的煤氣維修工進行。
- 如果使用了球形閥，它必須是一個 T 把手型的。
- 如果使用了軟管連接，其長度不得超過3英尺。

重要安全說明

警告：為了在使用烘乾機時減少起火、觸電或人員受傷的危險，請遵守以下基本注意事項，包括：

- 在使用烘乾機之前，請閱讀所有說明資料。
- 不要將滴上烹飪油的物品放在烘乾機裏。沾染烹飪油的物品可能導致化學反應從而引起衣物起火。
- 不要烘乾先前曾在汽油、乾燥清潔溶劑以及其它易燃、易爆物質中洗滌過的物品，因為它們散發的蒸氣會引燃火焰或爆炸。
- 不要讓孩子在烘乾機上面或裏面玩耍。當孩子在烘乾機附近時，需要特別當心。
- 在烘乾機被移走或棄置之前，取下烘乾艙室的門。
- 如果滾筒還在轉動，則不要觸及烘乾機內部。
- 不要在露天下安裝或保存烘乾機。
- 不要變更控制單元。
- 除非是“本用戶和養護指南”或您能理解和有能力從事的用戶-修理說明書建議，否則請不要修理或更換烘乾機的任何部件或嘗試任何維修項目。
- 不要使用纖維柔軟劑或產品去除靜電，除非是纖維柔軟劑或纖維產品的製造商推薦。
- 不要用加熱的方式來乾燥含有泡沫橡膠或類似交織橡膠類材料的衣物或質地類似橡膠的布料 [JF1]。
- 在每一次操作之前或之後，請清潔棉絨篩網。
- 保持排氣口附近和周圍區域沒有棉絨、灰塵和髒物聚集。
- 需由有資格的維修人員定期清潔烘乾機內部和排氣口。
- 請參看安裝說明以了解接地要求。

請保存這些說明

重要提示：燃氣安裝必須符合地方法規，或者，如果沒有地方法規，應符合全國燃氣法規 ANSI Z223.1/NFPA 54 或加拿大天然氣和液化氣安裝法規加拿大標準協會 (CSA) B149.1 的規定。

烘乾機必須按照地方法規進行接地，或者，如果沒有地方法規，按照全國電氣法規 ANSI/NFPA 70 或加拿大電氣法規 C22.1 的規定進行接地。

安裝要求

工具和部件

在開始安裝前，備齊所需的工具和部件。請閱讀以下要求，並按要求提供以下工具。

所需工具：

- 8吋 或 10吋 管道扳手
- 8吋 或 10吋 可調節扳手
- 平頭改錐
- Phillips 改錐
- 能開口至1吋（2.5釐米）的可調節扳手或六角套筒扳手
- 水平儀
- 5/16吋 套筒扳手
- 多用途刀
- 通風口卡子
- 抗 LP 氣體管道接頭組件
- 堵縫槍和堵縫劑（用於安裝新的排風口）
- 鉗子
- 油灰刀

隨機器提供的部件：

從烘乾機滾筒中取出部件袋。檢查是否包括所有的部件。

- 楔錐
- 腳套 (4)
- 烘乾機腳 (4)
- 5/16吋-18 x 2 1/2吋 螺栓
- 3 針計時凸輪
- 6 針計時凸輪

位置要求

警告



爆炸危險

使烘乾機遠離易燃材料和氣體（如汽油）。
不要將機器安裝在車庫。
不遵守這些要求將導致死亡、爆炸或起火。

如果安裝一台燃氣烘乾機：

重要提示：請遵守所有的管轄法規和指導。

- 請查看所需法規：一些法規限制或不允許將衣物烘乾機安裝於車庫、壁櫥或睡房。請聯係您的當地建築檢查人員。
- 請確保壁櫥的下邊，加上烘乾機的後邊和底邊，沒有障礙物阻擋，以允許燃燒空氣的開口有足夠的間隙。請參看下面的“凹室和壁櫥安裝說明”以了解最低間隙要求。

注意：不應將烘乾機安裝在暴露于水和/或戶外的地方。

凹室和壁櫥安裝

可將該烘乾機安裝在凹室或壁櫥內。針對凹室和壁櫥安裝，可在烘乾機上的掛籤上找到最低間隙要求。

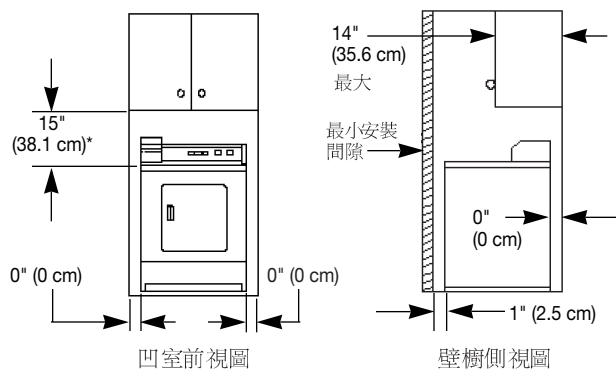
安裝間隙以英寸為單位且為最低要求。為便於安裝、維修和符合地方法規及指導，應考慮留出額外的間隙。

如果安裝了壁櫥門，則要求在頂部和底部有無遮擋的空氣口。如有同等量空氣開口的百葉門也是可以接受的。

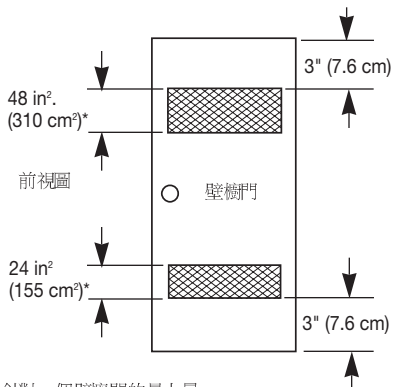
烘乾機必須排氣至戶外。

在安裝了烘乾機的壁櫥內，不應再安裝任何其它燃氣裝置。

最小安裝間隙

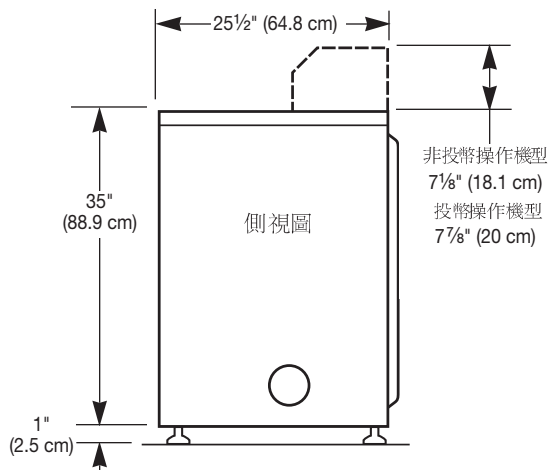
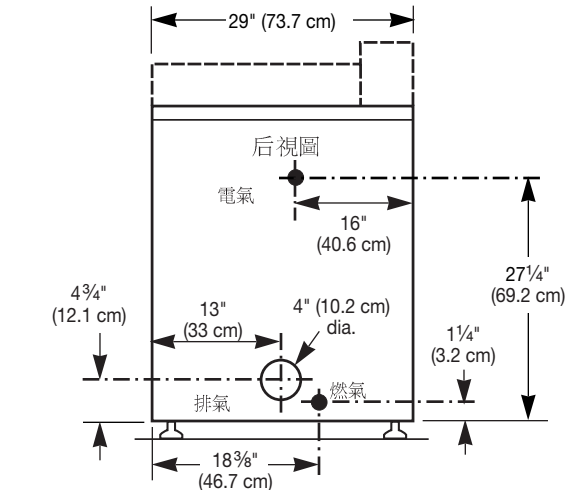


如牆、門和地板有制模或者使用了外部排風彎管，則可能需要額外的間隙。

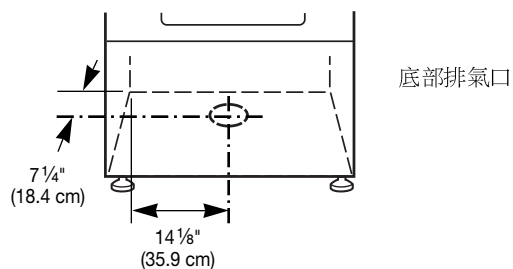
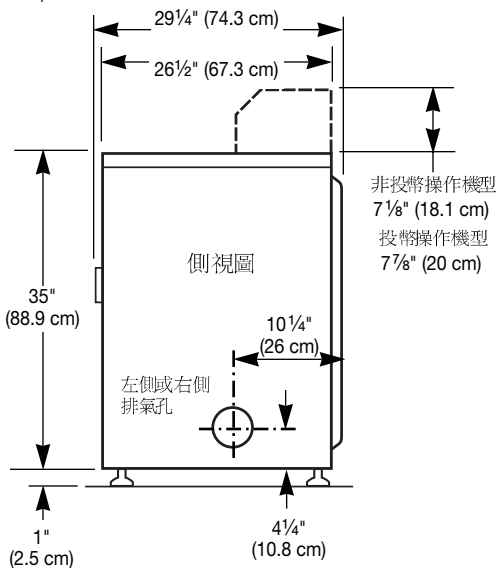
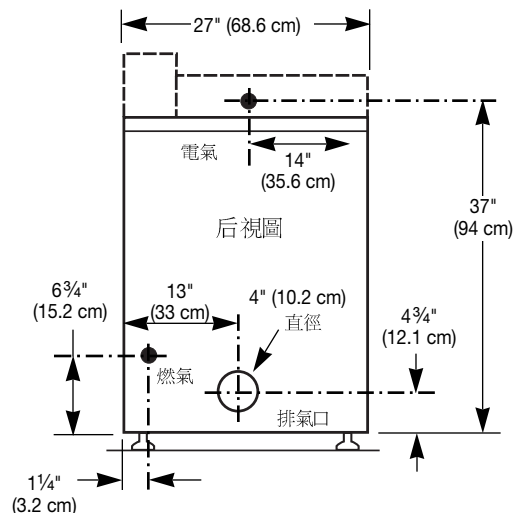


* 開口大小是針對一個壁櫥門的最小量。
也可接受帶等量空氣開口的百葉門。

產品尺寸 29吋 (73.7 釐米) 烘乾機



產品尺寸 27吋 (68.6 釐米) 烘乾機



警告



觸電危險

- 插入一個接地的三相分流插座。
- 不要拆除接地分流裝置。
- 不要使用適配器。
- 不要使用接線板。
- 不遵守以下要求，會導致死亡、起火或觸電。

重要提示：烘乾機必須按照地方法規和指導的要求進行接地，如果沒有地方法規，則按照國家電氣法規、ANSI/NFPA 70 的最新版本執行。如果法規允許，且使用了單獨的地線，我們建議由一位有資格的電氣安裝人員來確定接地通道是否充分。

可從以下地址獲得上述法規標準：

National Fire Protection Association
One Batterymarch Park, Quincy, MA 02269

- 需要有一塊120伏特、60赫茲、交流、15或20安培，帶保險絲的電路。我們還建議使用一個延時保險或斷路開關。我們建議應提供一條專供本烘乾機使用的單獨電路。

建議的接地方法

在安裝本烘乾機時，必須按照地方法規和指導的要求進行接地，如果沒有地方法規，則按照國家電氣法規、ANSI/NFPA 70 的最新版本以及所有地方法規和規定執行。

接地說明

- 對於接地、且以導線相連的烘乾機：該烘乾機必須接地。一旦出現失靈或故障，接地為電流提供一條阻力最小的電路，從而減少觸電危險。本烘乾機配有一根帶設備接地導體的導線和接地插銷。插銷必須插入正確的插座，其安裝和接地必須符合所有地方法規和指導的規定。

警告：設備接地導體的不正確安裝會導致觸電危險。如果您對烘乾機是否正確接地存有疑慮，請讓一位有資格的電氣技術人員或維修代表進行檢查。不要改動隨烘乾機提供的插銷：如果它與電源插座不匹配，請一位有資格的電氣技術人員安裝一個合適的插座。

請保存這些說明

電氣要求 - 電動烘乾機

重要提示：烘乾機必須按照地方法規和指導的要求進行接地，如果沒有地方法規，則按照國家電氣法規、ANSI/NFPA 70 的最新版本執行。

國家電氣法規要求，為建于1996年以後、涉及烘乾機電路改造的住宅以及所有移動房提供四線供電連接。

如果法規允許，且使用了單獨的接地線，我們建議由一位有資格的電氣安裝人員來確定接地通道是否充分。

可從以下地址獲得上述法規標準：

National Fire Protection Association
One Batterymarch Park, Quincy, MA 02269

- 需要一根單獨的、30安培電路，兩端都有保險的四線或三線，單相，120/240伏特，60赫茲，交流供電（或者，如果在型號/系列等級標牌上註明，四線或三線，120/208伏）。我們建議使用一個延時保險或斷路開關。

建議的接地方法

- 您有責任去聯係一位有資格的電氣安裝人員以確保電氣安裝的充分正確並遵守了國家電氣法規、ANSI/NFPA 70 的最新版本以及所有地方法規和規定。

接地說明

■ 對於接地、以導線相連的烘乾機：該類烘乾機必須接地。一旦出現失靈或故障，接地為電流提供一條阻力最小的電路，從而減少觸電的危險。本烘乾機配有一根帶設備接地導體的導線和接地插銷。插銷必須插入正確的插座，其安裝和接地必須符合所有地方法規和指導的規定。

■ 對於永久性連接的烘乾機：

該類烘乾機必須連接到接地金屬、永久連線系統或者一個與電路導體一起運行且連接到烘乾機上的設備接地終端或導線的設備接地導體。

警告：設備接地導體的不正確安裝會導致觸電危險。如果您對烘乾機是否正確接地存有疑慮，請讓一位有資格的電氣技術人員或維修代表或個人進行檢查。不要改變電源線上的插銷：如果它與電源插座不匹配，請一位有資格的電氣技術人員安裝一個合適的插座。

請保存這些說明

供氣要求

警告



爆炸危險

使用一根新的加拿大標準協會 (CSA) 認可的供氣線路。
安裝一個閘門。

擰緊所有連接開關。

如連接至LP，則請一位有資格的人員確保氣壓不超過14吋（36釐米）水柱。

有資格的人員包括：

有執照的供熱設備人員，

經授權的供氣公司人員，以及

經授權的維修人員。

不遵守這些規定會導致死亡、爆炸或起火。

重要提示：應遵守所有的管轄法規和指導，本安裝必須符合所有的地方法規和指導。如果沒有地方法規，則安裝必須符合美國國家標準，

全國燃氣法規 ANSI Z223, 美國消防協會NFPA 54 的規定。

可從以下地址獲得上述的法規標準：

National Fire Protection Association
One Batterymarch Park, Quincy, MA 02269

本烘乾機的設計獲得加拿大標準協會 (CAS) 的認證，按型號/系列標牌上顯示的英國熱單位 (B.T.U)，可用于海拔高達10,000 英尺 (3048 米) 的地方。當烘乾機在這一高度操作時，將不需要烘乾爐輸入調節裝置。

當安裝于10,000英尺 (3048 米) 以上時，高度每升高1,000英尺 (305 米)，顯示于型號/系列標牌上的烘乾爐英國熱單位 (B.T.U) 等級就需下降百分之四 (4%)。請聯係您當地維修公司以便得到轉換氣體類型和或在10,000英尺 (3,048米) 以上安裝的幫助。

燃氣的類型

本烘乾機可使用天然氣。其設計獲得加拿大標準協會(CSA)對LP（液化氣和丁烷）進行適當轉換的認證。在未諮詢供氣公司的情況下，不應嘗試去將規定于系列等級標牌上的燃氣轉換為另一種燃氣。必須由一位有資格的人員進行轉換工作。氣體轉換工具型號列于氣體閘門烘乾爐基座上。

供氣線路

建議的方法

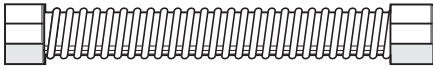
- 向烘乾機位置提供一條 1/2 吋固定 (IPS) 供氣線路。必須使用可承受 LP 氣體作用的管道連接組件。不要使用 TEFLON[®] 帶。對於 LP 氣體，線路或管道最小為 1/2 吋。通常，LP 供氣商確定用于供氣系統中的尺寸和材料。

替代方法

- 供氣連接也可使用經認可的 3/8 吋銅或鋁質管道。如果供氣線路的長度超過 20 英尺 (6.1 米)，則需要使用較大直徑的管道。如果使用天然氣，則不要使用銅質管道。必須使用可承受 LP 氣體作用的管道連接組件。

柔性金屬裝置連接件

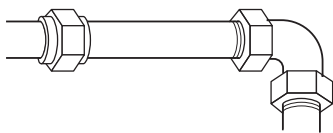
- 建議使用一條經加拿大標準協會 (CSA) 設計認證的新柔性不銹鋼氣體線路來將烘乾機連接到供氣線路。(一直通到烘乾機下、后部的供氣線路，帶有 3/8 吋插入式管道螺紋。)



- 在移動烘乾機時，不要絞纏或損壞柔性不銹鋼供氣管線。

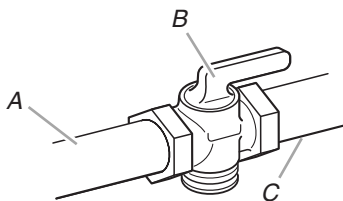
固定管道連接：

固定管道連接需要管道連接組件以便獲得與烘乾機的同軸連接。



- 必須帶有一個閘門：

必須在供氣線路上距烘乾機 6 英尺 (1.8 米) 的位置安裝一個閘門，這是為遵守國家燃氣法規 ANSI Z223.1 的規定。這個閘門將被置於與烘乾機相同的房間內。閘門的位置要選在開和關都方便的地方。不要阻塞通往閘門的通道。該閘門用來打開或關閉通往烘乾機的氣體。



A. 供氣線路
B. 閘門“打開”位置
C. 至烘乾機

- 安裝在空間有限的地方

如果烘乾機安裝在一個有限的空間，例如浴室或壁櫥，必須保證足夠的空氣以供燃燒和通風。請查看管轄法規和指導或參閱在“位置要求”中的“凹室和壁櫥安裝說明”部分。

供氣壓力測試

在供氣連接的緊鄰烘乾機部分，必須安裝一根 1/8 吋 NPT 最小輕叩塞，可用于規格測試。

在對系統進行壓力測試時，如果測試壓力超過 1/2 psig，則烘乾機必須斷開與供氣系統的連接。

通風口要求



起火危險

使用重金屬通風口

不要使用塑料通風口。

不要使用金屬箔通風口。

不遵守這些要求會導致死亡或起火。

警告：要減少起火的危險，本烘乾機必須向戶外排氣。

- 烘乾機通風口一定不得與任何氣體出口、煙囪、牆壁、天花板或建築物內的隱蔽空間相通。
- 不要使用帶磁性鎖的排氣口罩。
- 不要在封閉的牆壁、天花板或地板上安裝柔性金屬通風口。
- 必須使用 4 吋 (10.2 釐米) 重金屬通風口和卡子。
- 使用卡子密封所有的連接件。通風口一定不要使用可延伸至通風口內部的螺釘或其它緊固裝置來連接或固定。不要使用生料帶。

重要提示：請遵守所有管轄法規和指導。

使用一個重金屬通風口。不要使用塑料或金屬箔通風口。

我們建議使用固定金屬通風口以防壓裂和扭結。

當烘乾機被擺放到其最終位置時，柔性金屬通風口必須完全伸展並支撐到位。去除多餘的柔性金屬通風口以避免下垂和扭結，這會導致空氣流量受阻和機器性能不佳。

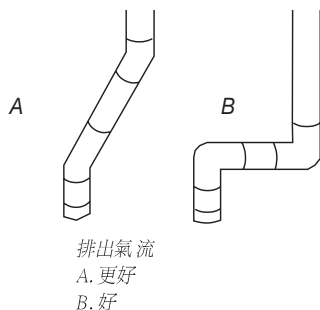
排氣口罩應蓋住通風口以防齧齒類動物或昆蟲進入住宅或公司。

排氣口罩離地面或任何排氣口所經過物體 (例如花、岩石或灌木) 或 12 吋 (30.5 釐米) 以上。

t[®] 注：TEFLON 是杜邦公司的一個註冊商標。

如果使用現有通風系統，在系統全長範圍清除棉絨並確保排氣口罩未被棉絨堵塞。用固定金屬或柔性金屬通風口取代塑料或金屬箔通風口。

盡量使用最少數量的彎管或轉向。



在使用彎管或轉向時，要留出盡量多的空間。逐步折彎通風口以避免扭結。

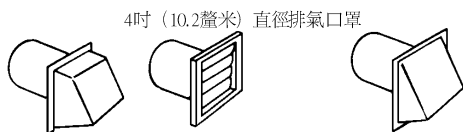
通風出口置於烘乾機背面底部的中心。

通風口可以向上、向下、向左、向右、在烘乾機後面或從烘乾機背面直接出來。

通風系統長度

通風系統的最大長度取決於使用的通風口類型、彎道數量和排風口罩類型。表中顯示了固定通風口和柔性通風口的最大長度。

最大通風口長度



固定金屬通風口

90度轉彎個數	方盒罩和百葉窗式	轉變角度罩式
0	64 ft. (19.5 m)	58 ft. (17.7 m)
1	54 ft. (16.5 m)	48 ft. (14.6 m)
2	44 ft. (13.4 m)	38 ft. (11.6 m)
3	35 ft. (10.7 m)	29 ft. (8.8 m)
4	27 ft. (8.2 m)	21 ft. (6.4 m)

柔性金屬通風口

No. of 90° turns	方盒罩和百葉窗式	轉變角度罩式
0	36 ft. (11.0 m)	28 ft. (8.5 m)
1	31 ft. (9.4 m)	23 ft. (7.0 m)
2	27 ft. (8.2 m)	19 ft. (5.8 m)
3	25 ft. (7.6 m)	17 ft. (5.2 m)
4	23 ft. (7.0 m)	15 ft. (4.6 m)

對於通風口規格表未涉及的通風系統，請參看 Whirlpool 維修手冊，“排氣旋渦烘乾機”，零件號 LIT 603197，您可從您的 Whirlpool 零件分銷商處得到。

如果烘乾機安裝在一處空間有限的地方，如臥室、浴室或壁櫥，必須確保有足夠的空氣用於燃燒和通風。（請查看管轄法規和指導。）請參看“位置要求”部分中的“凹室和壁櫥安裝說明”。

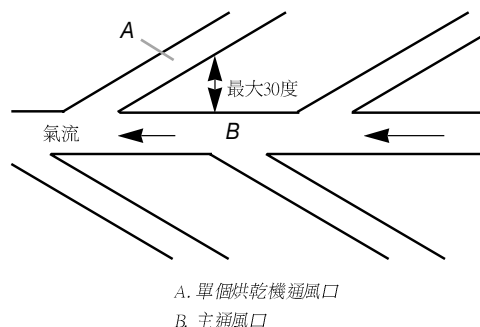
最好使用一個4英寸的插座罩。然而，也可以用2 1/2吋（6.4釐米）的出口排氣罩。一個2 1/2吋（6.4釐米）的出口比其它排風口類型產生更大的背壓。針對永久性安裝，需要一個穩固的通風系統。

多台烘乾機通風

- 一組烘乾機可共用一個主通風口。主通風口的尺寸必須能排出每台烘乾機 200 立方英尺/分鐘的空氣。如果經常檢查和清潔，則可在主通風口使用大容量的棉絨篩網。放置烘乾機的房間應具有等於或大於房間內所有烘乾機的立方英尺/分鐘的補足空氣。
- 您可從 Whirlpool 公司得到逆氣流調節風門組件，零件號為 3391910，並應安裝在每台烘乾機上以防被排出的空氣返回烘乾機並可保持主通風口排氣量的平衡。空氣開口要不受阻擋。

每個通風口進入主通風口時，應與空氣流動的角度一致。從另一側進入的通風口應被交錯擺放以減少被排出的空氣與其它通風口發生干擾。

每個通風口進入主通風口的角度不應大於30度。

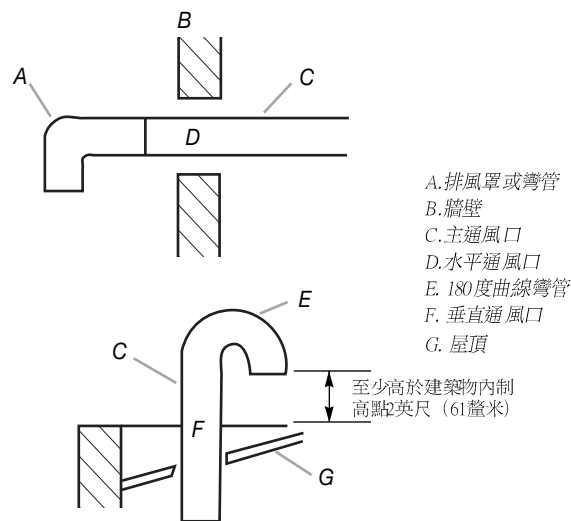


注意在空氣開口處不要有乾洗液煙塵。煙塵會產生酸，一但通過烘乾機加熱部件被吸入時，可以損壞烘乾機和被烘乾的衣物。

在主通風口上放置一塊清除蓋板，以對通風系統進行定期清潔。

如果排風罩不能工作：

主通風口外端應有一個曲線彎管向下彎曲。如果主通風口垂直穿過屋頂，而不是穿過牆壁，則在通風口高於建築物制高點至少2英尺（61釐米）安裝一個曲線彎管。牆壁或屋頂的開口直徑應比通風口直徑大1/2吋（1.3釐米）。通風口應置於開口的中心。



不要在通風口端頭安裝篩網或蓋子。

安裝說明 - 燃氣烘乾機

安裝硬幣滑道及硬幣盒

控制臺帶有出廠時安裝的計時器，配有制動臂和按鈕。

出廠時安裝的計時器的設定是，在被硬幣滑道激發后，提供45分鐘（4針）的烘乾時間。在備件袋內有30分鐘（6針）和60分鐘（3針）的計時器凸輪。

隨機不提供硬幣滑道機件、控制面板鎖和按鍵以及硬幣盒和按鍵。這些附件可從一般行業渠道獲得。

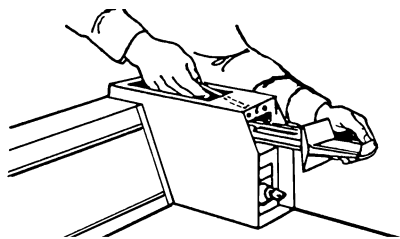
警告

過重危險

應由兩人或多人移動和安裝烘乾機。
否則會導致背部或其它部位受傷。

注意：在移動烘乾機之前，將其滑動到紙板或硬質纖維板上，以免划傷地面。

1. 由兩人或多人移動烘乾機至希望的安裝位置。
2. 取下烘乾機前角上的膠帶。打開烘乾機並取出裏面的說明書和零件包。用一塊濕布徹底擦拭滾筒裏面。
3. 從紙箱上將兩個紙板角取下並放在烘乾機後面的地板上。緊緊抓住烘乾機身，輕輕向後放倒在紙板角上。
4. 扶住烘乾機的一條腿，查找一個隆起的菱形標誌。那是烘乾機腿應插入孔中的深度。
5. 開始用手將水平腿旋入孔中。（使用少量洗滌劑以潤滑螺紋，使水平腿易于轉動。）使用一個1英寸扳手或套筒扳手來轉動水平腿，直至菱形標誌。
現在，請將烘乾機豎起。
6. 提起後面的儀表箱，將儀表箱的服務門打開。安裝收錢裝置。（請參閱製造商說明以進行正確的安裝。）



對於使用硬幣滑道的烘乾機，請使用隨機烘乾機提供的一個適配器組件。

7. 重新關上儀表箱服務門。放上硬幣蓋，鎖和鑰匙置於儀表箱的開口處。
8. 從烘乾機下面取出紙板或硬質纖維板。

燃氣連接

1. 取下燃氣管道上的紅色管帽
2. 將燃氣連接到烘乾機上。使用可承受L.P燃氣作用的管接組件進行燃氣連接。如果使用了柔性金屬管，要保證沒有任何扭結。
如有維修的必要，則打開腳踏板。用一把油灰刀壓住位於腳踏板頂部中心的腳踏板鎖。向下拉腳踏板以將其打開。腳踏板用鉸鏈固定於底部。
3. 打開供氣線路上的閥門。
4. 通過刷上經認可的非腐蝕性漏氣探測溶劑來檢查所有連接處。如果出現氣泡，則說明有漏氣現象。修正任何被發現的漏氣現象。

連接通風口

1. 使用一個4英寸（10.2釐米的）卡子，連接通風口至烘乾機上的排氣出口。如果連接到現有的出口，一定要確保通風口是清潔的。烘乾機通風口尺寸必須與烘乾機排風口及排風口罩內徑相匹配。請用一個4吋（10.2釐米）的卡子來確保通風口與排風口罩之間的牢固連接。
2. 將烘乾機移動到最終位置。不要擠壓或扭結通風口。請確保烘乾機是水平的。
3. 檢查以確保柔性金屬燃氣線路上沒有扭結。

完成安裝

1. 當烘乾機安放到最終位置，將水平儀置於烘乾機頂，先測試兩側，再測試前後。如果烘乾機不水平，則上下調節烘乾機水平腿，直到水平。

警告



觸電危險

插入一個接地的三相分流插座。
不要拆除接地分流裝置。
不要使用適配器。
不要使用接線板。
不遵守以下要求，會導致死亡、起火或觸電。

2. 插入接地的三相插座。
3. 檢查烘乾機的運行（由於出廠測試，可能在計時器上會顯示一些時間）。

將硬幣插入滑道並慢慢壓入滑道。（將根據硬幣數量和使用的計時凸輪的類型來疊加運行時間。）按下START（啟動）/RESTART（重新啟動）按鈕。使用一個完整加熱循環（不是空氣循環），讓烘乾機至少運轉5分鐘。到時間，烘乾機會停止。

注意：烘乾機運行時，烘乾機門必須關閉。當門打開時，烘乾機會停止，但計時器還會繼續計時。要重新啟動烘乾機，請關上門並按下START（啟動）/RESTART（重新啟動）按鈕。

4. 如果烘乾爐不點火，且您感覺不到烘乾機內有任何熱量，則請關掉烘乾機並等待五分鐘。查看所有的供氣控制單元都在“ON(開)”的位置並且電線已經連好。請重復五分鐘測試。
5. 如果烘乾時間過長，請確保棉絨篩網是清潔的。

安裝說明 - 電動烘乾機

安裝硬幣滑道和硬幣盒

控制臺帶有出廠時安裝的計時器，配有制動臂和按鈕。

出廠時安裝的計時器的設定是，在被硬幣滑道激發後，提供45分鐘（4針）的烘乾時間。在備件袋有30分鐘（6針）和60分鐘（3針）的計時器凸輪。

隨機不提供硬幣滑道機制、控制面板鎖和按鍵以及硬幣盒和按鍵。這些附件可從一般行業渠道獲得。

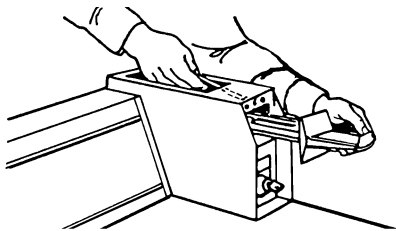
警告

過重危險

**應由兩人或多人移動和安裝烘乾機。
否則會導致背部或其它部位受傷。**

注意：在移動烘乾機之前，將其滑動到紙板或硬質纖維板上，以免划傷地面。

1. 由兩人或多人移動烘乾機至希望的安裝位置。
2. 取下烘乾機前角上的膠帶。打開烘乾機並取出裏面的說明書和零件包。用一塊濕布徹底擦拭滾筒的裏面。
3. 從紙箱上將兩個紙板角取下並放在烘乾機後面的地板上。緊緊抓住烘乾機身，輕輕向後放倒在紙板角上。
4. 扶住烘乾機的一條腿，查看一個隆起的菱形標誌。那是烘乾機腿應插入孔中的深度。
5. 開始用手將水平腿旋入孔中。（使用少量洗滌劑以潤滑螺紋，使水平腿易于轉動。）使用一個1英寸扳手或套筒扳手來轉動水平腿，直至菱形標誌。
現在，請將烘乾機豎起。
6. 提起後面的儀表箱，將儀表箱的服務門打開。安裝收錢裝置。



（請參閱製造商的說明以進行正確的安裝。）

對於使用硬幣滑道的烘乾機，請使用隨烘乾機提供的一個適配器組件。

7. 重新關上儀表箱服務門。放上硬幣蓋，鎖和鑰匙置於儀表箱的開口處。
8. 從烘乾機下面取出紙板或硬質纖維板。

電氣連接

電源線連接方法 - 僅適用於美國

本烘乾機的中性地線被連接到終端的接線端子上的中性（中央）。如果地方法規不允許這類連接，則參照“四線連接”中的說明。

使用一條美國安全檢測實驗室公司(UL) 認證的電源線，額定值為最低240伏、30安培並明示可以用於衣物烘乾機。

警告



起火危險

使用一根美國安全檢測實驗室公司(UL) 認證的30安培電源線。

使用一個美國安全檢測實驗室公司(UL) 認證的減壓器。

在進行電連接前斷開電源。

將中線（白色或中央的導線）連接至中央終端（銀色）。

地線（綠色或裸露導線）必須連接到綠色接地一端。

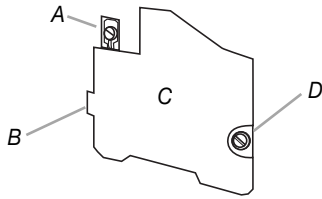
將其餘的兩根供電導線連接到剩餘的兩個終端（金色）。

緊固所有的電線連接。

不遵守這些要求可能導致死亡、起火或觸電。

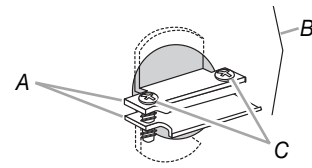
1. 斷開電源。

2. 卸下下壓螺栓及終端塊蓋板。



- A. 外部接地導體螺栓
- B. 突片
- C. 終端塊蓋板
- D. 下壓螺栓

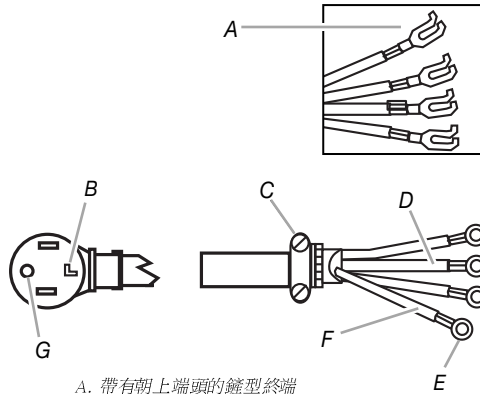
3. 將3/4吋美國安全檢測實驗室公司(UL) 認證的減壓器 (減壓器上有UL 標誌) 組裝到終端塊開口處下面的孔中。旋緊減壓器螺栓，使其剛好將兩個夾板固定在一起。通過減壓器安裝電源線。
4. 按照您的電線連接類型的要求完成安裝：



- A. 減壓器卡子
- B. 烘乾機櫃
- C. 減壓器螺栓

- 四線 (建議的方法)
- 四線 (如果不能提供四線)

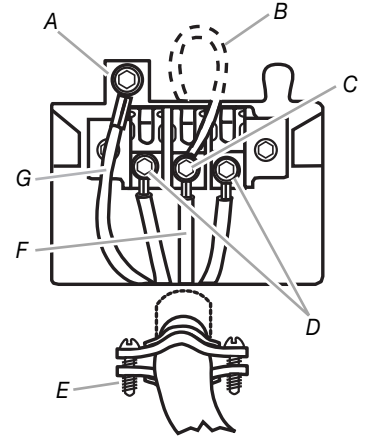
電源線， 四線連接：



- A. 帶有朝上端頭的鍍型終端
- B. 中線
- C. 3/4吋 美國安全檢測實驗室公司 (UL) 認證減壓器
- D. 中線 (白色)
- E. 環形終端
- F. 地線
- G. 地針

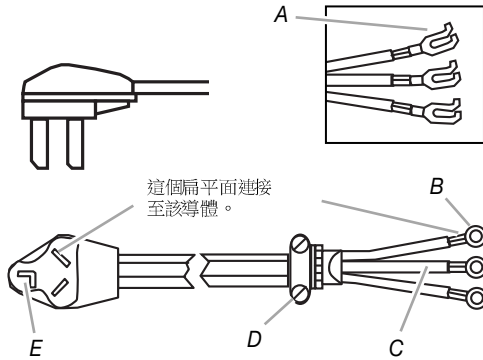
四線電源線必須有四條10號銅線，並可與美國電器製造商協會 (NEMA) 14-30R 型四線插座匹配。第四根導線 (地導體) 必須以綠色加以區別，且中性導體必須由白色外皮加以區別。

5. 取下中心終端塊螺栓。
6. 從外部接地導體螺栓上取下裝置的中性地線。將其緊緊係在中心、銀色的終端塊螺栓下。
7. 將電源線地線連接至外部導體螺栓，擰緊螺栓。
8. 將電源線的中線 (白色或中心) 連接到終端塊中心螺栓的下面。擰緊螺栓。
9. 將其它導線連接到外部終端塊螺栓。擰緊螺栓。
10. 擰緊減壓器螺栓。
11. 將終端塊蓋板突片插入烘乾機後板的槽位。用下壓螺栓固定蓋板。



- A. 外部接地導體螺栓
- B. 烘乾機中性地線
- C. 中心終端塊螺栓
- D. 外部終端塊螺栓
- E. 減壓器螺栓
- F. 中性 (中心線)
- G. 地線

**電源線，
三線電源連接：**



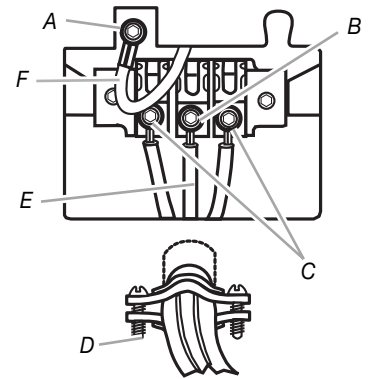
這個扁平面連接
至該導體。

- A. 帶朝上端頭的鑷型終端
- B. 環形終端
- C. 中性 (白色或中間)
- D. 3/4吋 美國安全檢測實驗室公司 (UL) 認證減壓器
- E. 中性

三線電源線必須有三根10號銅導線並且必須與美國電器製造商協會 (NEMA) 10-30R 型三線插座匹配。

在地方法規允許將中性地線連接至中性線的地方使用本方法：

5. 鬆開或取下中心終端塊螺栓。
6. 將電源線的中線 (白色或中心) 連接到終端塊中心螺栓的下面。擰緊螺栓。
7. 將其它導線連接到外部終端塊螺栓。擰緊螺栓。
8. 擰緊減壓器螺栓。
9. 將終端塊蓋板突片插入烘乾機後板的槽位。用下壓螺栓固定蓋板。

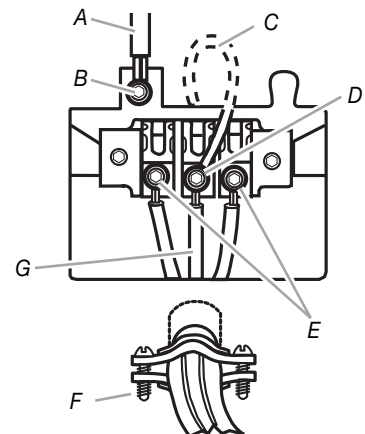


- A. 外部接地導體螺栓
- B. 中心終端塊螺栓
- C. 外部終端塊螺栓
- D. 減壓器螺栓
- E. 中性 (中心線)
- F. 烘乾機中性地線

在地方法規不允許將中性地線連接至中性線的地方使用本方法：

5. 取下中心終端塊螺栓
6. 從外部接地導體螺栓上取下裝置的中性地線。將電源線的中線 (白色或中心) 連接到終端塊中心螺栓的下面。擰緊螺栓。
7. 將其它導線連接到外部終端塊螺栓。擰緊螺栓。
8. 擰緊減壓器螺栓。
9. 將終端塊蓋板突片插入烘乾機後板的槽位。用下壓螺栓固定蓋板。
10. 在重新加裝終端蓋板后，把從外部接地導體螺栓的一根單獨的銅地線充分接地。

如果法規允許且使用了單獨的地線，則建議由一位有資格的裝置人員來確定接地是否充分。



- A. 單獨銅地線
- B. 外部接地導體螺栓
- C. 烘乾機中性地線
- D. 中心終端塊螺栓
- E. 外部終端塊螺栓
- F. 減壓器螺栓
- G. 中性 (中心線)

直接導線方法 - 僅適用於美國

警告



起火危險

使用 10 號規格硬質銅導線。

使用美國安全檢測實驗室公司 (UL) 認證的減壓器。

在接線前斷開電源。

連接中性線 (白色或中心線) 至中心終端 (銀色)。

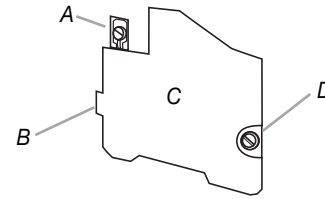
地線 (綠色或裸露線) 必須連接到綠色的接地連接器。

連接剩餘的兩根導線至剩餘的兩個終端 (金色)。

緊固所有的連接處。

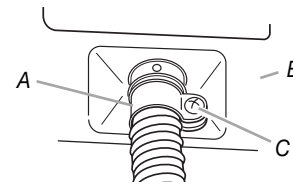
不遵守這些要求會導致死亡、起火或觸電。

1. 斷開電源。
2. 取下下壓螺栓和終端塊蓋板。



A. 外部接地導體螺栓
B. 突片
C. 終端塊蓋板
D. 下壓螺栓

3. 將 3/4 吋 導管連接器安裝至終端塊開口處下方的孔中。連接柔性金屬導管並擰緊連接器螺栓。通過柔性金屬導管安裝直接導線。



A. 導管連接器
B. 烘乾機櫃
C. 連接器螺栓

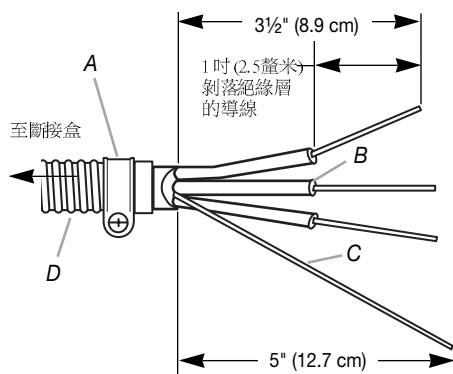
4. 按照您的電線連接類型的要求完成安裝：

- 四線 (建議的方法)
- 三線 (如果不能提供四線)

直導線電纜必須與電源線 (四線或三線) 相匹配並且是：

- 柔性鎧裝電纜或非金屬覆蓋銅質電纜 (帶地線), 有柔性金屬導管保護。所有載電導線都必須是絕緣的。
- 10 規格硬質銅導線 (不用鋁的)。
- 至少 5 英尺 (1.52 米) 長。

直接導線, 四線連接法



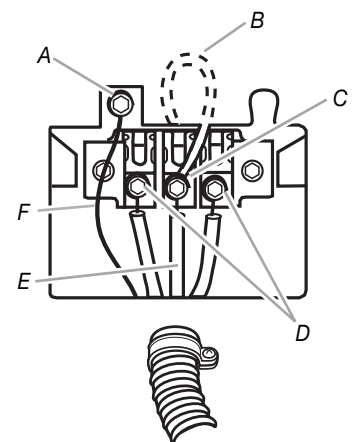
自電纜端頭剝落 5 吋 (12.7 釐米) 的外皮。在 5 吋 (12.7 釐米) 處保留綠色或裸露地線。從三根剩餘導線上切掉 1 1/2 吋 (3.8 釐米)。剝落 1 吋 (2.5 釐米) 的絕緣層。



將導線端纏繞在鉤子上

- A. 3/4 吋 導管連接器
B. 中性 (白色或中心)
C. 地線 (綠色或裸露)
D. 10 號規格、帶地線的三線

5. 取下中心終端塊螺栓。
6. 從外部接地導體螺栓上取下烘乾機的中性地線。將其緊緊係在中心、銀色的終端塊螺栓下。
7. 將直接導線電纜的地線 (綠色或裸露) 連接到外部接地導體螺栓。擰緊螺栓。
8. 將直接導線電纜的中性線 (白色或中心) 的帶線端置於終端塊 (鉤子向右) 的中心螺栓下。將鉤端扣緊。擰緊螺栓。
9. 將其它直接導線電纜的端置於外部終端塊 (鉤子向右) 下。將鉤端扣緊。擰緊螺栓。
10. 將終端塊蓋板突片插入烘乾機後板的槽位。用下壓螺栓固定蓋板。

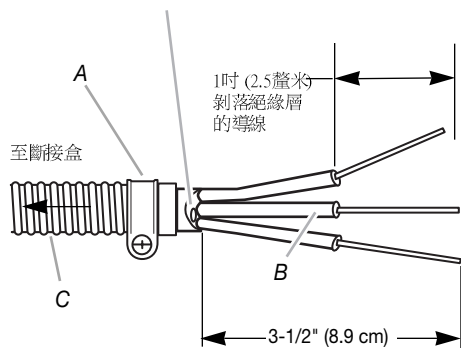


A. 外部接地導體螺栓
B. 烘乾機中性地線
C. 中心終端塊螺栓
D. 外部終端塊螺栓
E. 中性 (中心線)
F. 綠色或裸露地線

直接導線

三線連接法：

帶地線的三線：切短綠色或裸露導線。導線不使用。烘乾機通過中性導體接地。



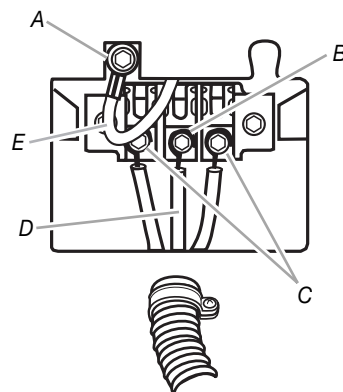
將導線端纏繞在鉤子上

自電纜端頭剝落3 1/2吋(8.9釐米)的外皮。剝落1吋(2.5釐米)的絕緣層。如果使用帶地線的三線電纜，即使有外皮，也切掉綠色或線露的導線。

- A. 3/4吋導管連接器
- B. 中性(白色或中心)
- C. 10號口徑、三線帶地線柔性金屬導管

在地方法規允許連接中性地線至中性線的地方使用本方法：

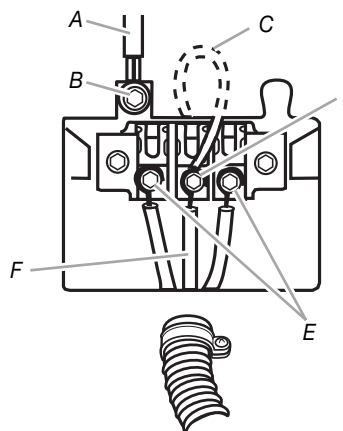
5. 鬆開或取下中心終端塊螺栓
6. 將直接導線電纜的中性線(白色或中心)的帶鉤端置於終端塊(鉤子向右)的中心螺栓下。將鉤端扣緊。擰緊螺栓。
7. 將其它直接導線電纜的鉤端置於外部終端塊(鉤子向右)下。將鉤端扣緊。擰緊螺栓。
8. 將終端塊蓋板突片插入烘乾機後板的槽位。用下壓螺栓固定蓋板。



- A. 外部接地導體螺栓
- B. 中心終端塊螺栓
- C. 外部終端塊螺栓
- D. 中性(中心線)
- E. 烘乾機中性地線

在地方法規允許連接中性地線至中性線的地方使用本方法：

5. 取下中心終端塊螺栓。
6. 從外部接地導體螺栓上取下烘乾機的中性地線。將烘乾機的中性地線與直接導線電纜的中性線(白色或中心)連接至中心、銀色的終端塊螺栓下。擰緊螺栓。
7. 將其它導線連接到外部終端塊螺栓。擰緊螺栓。
8. 將終端塊蓋板突片插入烘乾機後板的槽位。用下壓螺栓固定蓋板。
9. 在重新加裝終端蓋板后，把從外部接地導體螺栓的一根單獨的銅地線充分接地。



- A. 單獨的銅地線
- B. 外部接地導體螺栓
- C. 烘乾機中性地線
- D. 中心終端塊螺栓
- E. 外部終端塊螺栓
- F. 中性(中心線)

如果法規允許且使用了單獨的地線，則建議由一位有資格的裝置人員來確定接地是否充分。

連接通風口

1. 使用一個4英寸(10.2釐米)的卡子，連接通風口至烘乾機上的排氣出口。如果連接到現有的出口，一定要確保通風口是清潔的。烘乾機通風口尺寸必須與烘乾機排風口及排風口罩內徑相匹配。請用一個4吋(10.2釐米)的卡子來確保通風口與排風口罩之間的牢固連接。
2. 將烘乾機移動到最終位置。不要擠壓或扭結通風口。請確保烘乾機是水平的。

完成安裝

1. 當烘乾機安放在最終位置，將水平儀置於烘乾機頂，先測試兩側，再測試前後。如果烘乾機不水平，則上下調節烘乾機水平腿，直到水平。

2. 將烘乾機電源插入或重新接通電源。
3. 檢烘乾機的運行情況(由於出廠測試，可能在計時器上會顯示一些時間)。

將硬幣插入滑道並慢慢壓入滑道。(將根據硬幣數量和使用的計時凸輪的類型來疊加運行時間。)按下START(啟動)/RESTART(重新啟動)按鈕。使用一個完整加熱循環(不是空氣循環)，讓烘乾機至少運轉5分鐘。時間一到，烘乾機將停止。

注意：在運行過程中，烘乾機門必須關閉。一旦打開，烘乾機將停止，但計時器繼續計時。要重新啟動烘乾機，請關上門並按START(啟動)/RESTART(重新啟動)按鈕。

4. 如果烘乾時間過長，請確保棉絨的清潔。
5. 現在，您可以啟動烘乾機並讓它完成一個完整的熱循環(不是空氣循環)以確保其正常工作。

改裝為30分鐘或60分鐘計時凸輪

警告



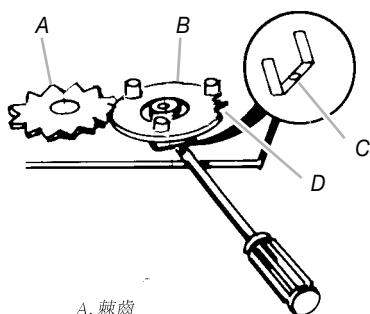
觸電危險

在改裝凸輪前，請斷開電源。

不遵守這些要求會導致死亡或觸電。

您可以按如下步驟安裝30分鐘或60分鐘凸輪（與烘乾機一同提供）：

1. 拔下烘乾機插銷或斷開電源。
2. 開啟儀表箱。
3. 用手轉動計時凸輪，直到 V 型槽口與下面的棘齒對齊。
4. 在計時器凸輪的時鐘軸下面插入一把窄小的平頭改錐。慢慢將凸



- A. 棘齒
- B. 計時凸輪
- C. 驅動耳
- D. V型槽口

輪翹起並脫離時鐘軸，要確保V型槽口與棘齒脫離。

5. 將新凸輪（輪軸面朝下）放在時鐘軸上。將時鐘軸平面與凸輪孔平面對齊。檢查驅動耳是否就位。
6. 轉動凸輪直到 V 型槽口與棘齒對齊。
7. 向下壓凸輪，以使其在電機軸上就位。要確保V槽口脫離棘齒。
8. 關上並鎖住儀表箱。

維護說明：

- 在每個循環后清潔軟棉絨。
- 去除積聚的軟棉絨：
 - 從烘乾機：
每兩年或更短的時間內應清除軟棉絨一次，取決於烘乾機的使用情況。應由有資格的人進行清潔。
 - 從排氣口：
至少每兩年應清除軟棉絨一次，取決於烘乾機的使用情況。

如果烘乾機不運轉，應檢查以下事項：

- 供電線路是否連接。
- 斷路開關未跳閘或住宅保險絲未燒斷。
- 烘乾機門關閉
- 控制鍵被置於運行狀態或“ON（開）”的位置。
- START（開）按鈕是否用力按下。
- 對於氣體烘乾機，檢查供氣閥門處於打開位置。

如果您需要幫助：

如果還有關於烘乾機的操作和維護的問題在“安裝說明”中沒有提到，“商用洗滌幫助中心”將向您解答。“商用洗滌幫助中心”每天開通24小時，每週開通7天。您只需撥打1-800 NO BELTS (1-800-662-3587) - 該號碼是免費的。

當您致電時，您需要告知烘乾機型號和系列號。這兩個號碼都可以在烘乾機門上的系列額定標牌上找到。

Free Manuals Download Website

<http://myh66.com>

<http://usermanuals.us>

<http://www.somanuals.com>

<http://www.4manuals.cc>

<http://www.manual-lib.com>

<http://www.404manual.com>

<http://www.luxmanual.com>

<http://aubethermostatmanual.com>

Golf course search by state

<http://golfingnear.com>

Email search by domain

<http://emailbydomain.com>

Auto manuals search

<http://auto.somanuals.com>

TV manuals search

<http://tv.somanuals.com>