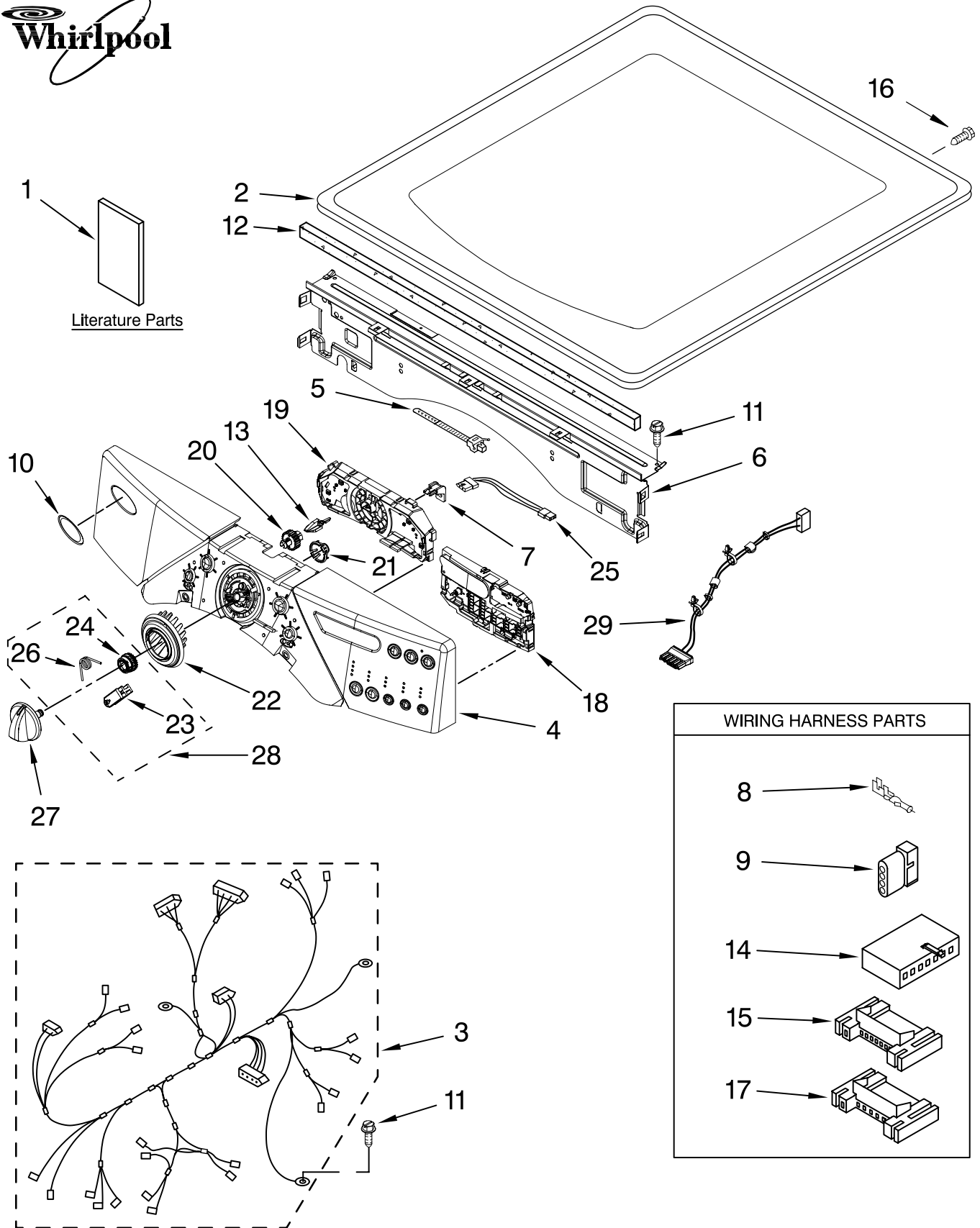


TOP AND CONSOLE PARTS

For Models: WGD9600TW1, WGD9600TA1, WGD9600TU1, WGD9600TB1
(White) (Aspen) (Ultimate Silver) (Black/Chrome)

27" GAS DRYER



FOR ORDERING INFORMATION REFER TO PARTS PRICE LIST

TOP AND CONSOLE PARTS

For Models: WGD9600TW1, WGD9600TA1, WGD9600TU1, WGD9600TB1

(White) (Aspen) (Ultimate Silver) (Black/Chrome)

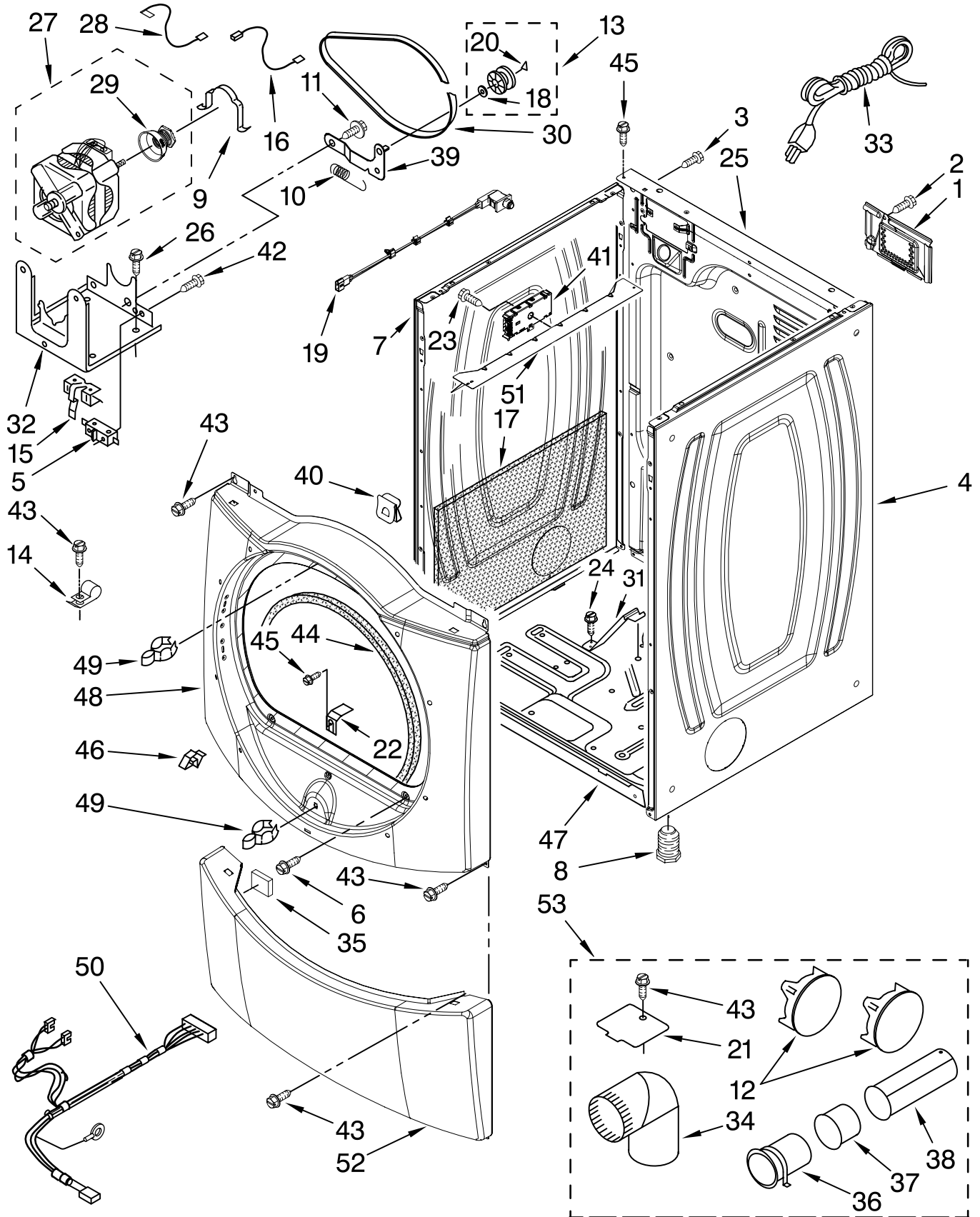
Illus. No.	Part No.	DESCRIPTION	Illus. No.	Part No.	DESCRIPTION	Illus. No.	Part No.	DESCRIPTION
1		Literature Parts	6	W10006840	Bracket, Console (Includes No.12)	22	W10012410	Knob, Light Ring (Includes: Illus. 21)
	W10136970	Use & Care Guide	7	W10112268	Clip, Harness (4)			
	W10177462	Tech Sheet	8	94614	Terminal	23	W10012810	Rast, Wheel Assy. (Service Only With Item. 28)
	W10139791	Guide, Quick Start	9	3936144	Plug, Terminal			
	W10139322	Sheet, Tip Steam Dry	10	W10117943	Badge	24	W10012460	Detent Wheel (Service Only With Item. 28)
2		Top	11	3390647	Screw, 8-18 x 1/2	25	W10095960	Harness, Communication
	8519251	White	12	W10112267	Foam-Seal	26	W10012820	Knob, Spring (Service Only With Item. 28)
	W10140290	Aspen	13	W10030070	Array-Power			
	W10114785	Ultimate Silver	14	3936150	Connector, 7-Circuit	27		Knob, Control
	8579997	Black/Chrome	15	3395683	Connector, (Motor)		W10116702	White
3	W10111015	Harness, Main	16	98139	Screw, 8-32 x 5/16		W10153663	Aspen
4		Panel, Console (Includes Illus: 20,21,22,27,28 & 29)	17	2203186	Connector, 5-Circuit		W10116704	Ultimate Silver
	W10153650	White	18	W10110659	User-Interface (Right)		W10116705	Black/Chrome (Includes: Item. 21)
	W10153655	Aspen	19	W10110658	User-Interface Center (Includes Illus: 13.)	28	280230	Encoder, Wheel Kit (Includes Items: 23, 24 & 26)
	W10153654	Ultimate Silver	20	W10012430	Encoder-Wheel			
	W10153652	Black/Chrome	21	W10012440	Retainer-Snap	29	W10111020	Power Cable,
5	3391018	Tie, Cable						

FOR ORDERING INFORMATION REFER TO PARTS PRICE LIST

CABINET PARTS

For Models: WGD9600TW1, WGD9600TA1, WGD9600TU1, WGD9600TB1

(White) (Aspen) (Ultimate Silver) (Black/Chrome)



FOR ORDERING INFORMATION REFER TO PARTS PRICE LIST

CABINET PARTS

For Models: WGD9600TW1, WGD9600TA1, WGD9600TU1, WGD9600TB1

(White) (Aspen) (Ultimate Silver) (Black/Chrome)

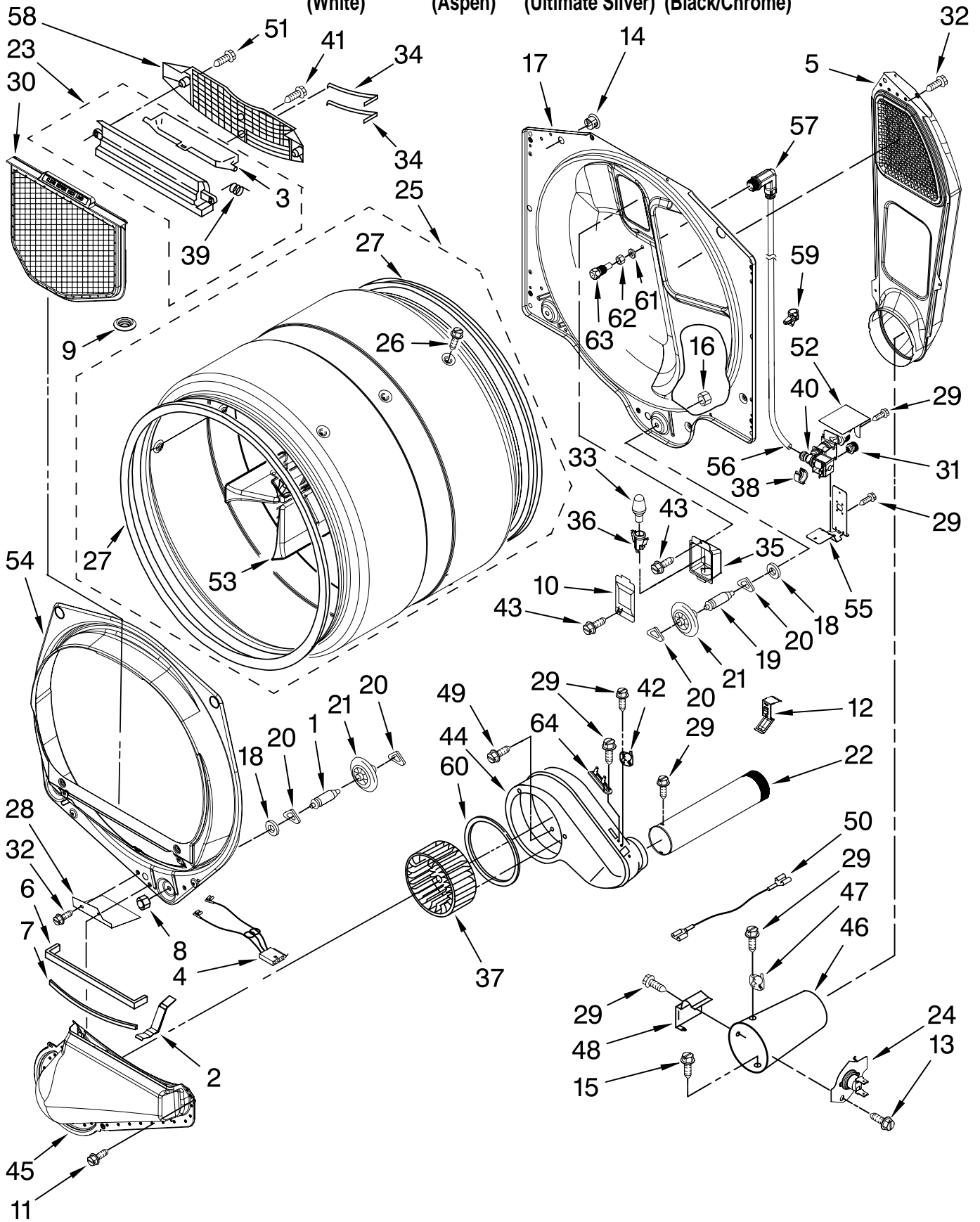
Illus. No.	Part No.	DESCRIPTION	Illus. No.	Part No.	DESCRIPTION	Illus. No.	Part No.	DESCRIPTION
1	8317340	Cover, Terminal Block	15	8066120	Lever, Snap Switch	42	98129	Screw, 6-20 x 1 1/16
2	3390814	Screw, 8-18 x 3/8	16	W10167612	Wire, Belt Switch	43	3390647	Screw, 8-18 x 1/2
3	8533974	Screw, 10-32 x 5/8 (Ground)	17	W10128772	Sound Panel	44	3387242	Seal, Front Panel
4		Panel, Side (R.H.)	18	W10121334	Washer	45	3393008	Screw, 10-16 x 1/2
	W10139003	White	19	W10128087	Assembly, Door Switch	46	8519459	Clip, Toe Panel
	W10139013	Aspen	20	690997	Tri Ring	47	8519207	Base, Cabinet
	W10139009	Ultimate Silver	21	8066115	Cover-Plate	48		Front Panel (Includes Illus. 44)
	W10139010	Black/Chrome	22	8529053	Ramp, Door		W10180423	White
5	3394881	Switch, Broken Belt	23	90767	Screw, 8-18 x 3/8		W10180432	Aspen
6	3357011	Screw, 10-16 x 1/2	24	693995	Screw, 8-18 x 3/8		W10180429	Ultimate Silver
7		Panel, Side (L.H.)	25	W10116475	Rear, Panel		W10180425	Black/Chrome
	W10138989	White	26	343641	Screw, 10-16 x 1/2	49	696144	Strike, Door (2)
	W10138999	Aspen	27	8538263	Motor Assembly 60 HZ.	50	W10181464	Harness, Digital Interface
	W10138995	Ultimate Silver	28	3398948	Wire, Jumper (Broken Belt Switch)	51	8563727	Bracket, Control
	W10138996	Black/Chrome	29	8578220	Pulley 60 HZ.	52		Toe Panel
8	3392100	Foot, Dryer	30	3387610	Belt, Drive		W10116271	White
	279810	Foot - Optional (Extended Length Package Of 2) (Not Included)	31	8529757	Bracket, Burner		W10140572	Aspen
			32	3387118	Bracket, Motor		W10116277	Ultimate Silver
9	660658	Clamp, Motor (2)	33	3401401	Cord, Power		W10116273	Black/Chrome
10	3387374	Spring, Idler	34	49026	4" - 90° Elbow	<hr/> Optional Parts Not Included <hr/>		
11	3389420	Retainer, Idler	35	3389682	Space-Toe Panel User-Interface	<hr/> Dryer Exhaust Kit <hr/> (For Side & Bottom Venting) <hr/>		
12		Plug, Multivent	36	8563747	Exhaust Pipe & Bracket			
	697750	White	37	8563750	Exhaust Pipe (Short)			
	W10136987	Aspen	38	8563749	Exhaust Pipe (Long)	53	279818	White
	8579117	Ultimate Silver	39	3388674	Idler Bracket		279820	Black
	3388309	Black/Chrome	40	62825	Clip-S Type		W10152954	Aspen
13	3388672	Pulley Assembly	41	W10182365	Control Board		280171	Ultimate Silver
14	3978776	Bracket, Gas Pipe						

FOR ORDERING INFORMATION REFER TO PARTS PRICE LIST

BULKHEAD PARTS

For Models: WGD9600TW1, WGD9600TA1, WGD9600TU1, WGD9600TB1

(White) (Aspen) (Ultimate Silver) (Black/Chrome)



FOR ORDERING INFORMATION REFER TO PARTS PRICE LIST

BULKHEAD PARTS

For Models: WGD9600TW1, WGD9600TA1, WGD9600TU1, WGD9600TB1

(White) (Aspen) (Ultimate Silver) (Black/Chrome)

Illus. No.	Part No.	DESCRIPTION	Illus. No.	Part No.	DESCRIPTION	Illus. No.	Part No.	DESCRIPTION
1	8575324	Shaft, R.H. Thread	26	W10109200	Screw, 11-16 x 3/4	46	8573824	Funnel, Burner
2	8066208	Clip-Spring	27	W10166807	Seal, Drum	47	8573028	Thermostat, High-Limit 205°F (96°C)
3	3394984	Door, Lint Screen	28	W10128629	Shield, Blower Housing (Includes Illus. 32.)	48	338906	Sensor, Radiant
4	3406653	Harness, Sensor	29	90767	Screw, 8-18 x 3/8	49	489463	Screw, 8-18 x 5/8
5	3394346	Air Duct Assembly	30	W10049370	Lint, Screen	50	3401710	Jumper, TCO Hi-Limit
6	697813	Seal, Outlet Housing	31	W10044605	Coupling, Hose	51	3387230	Screw, 10-16 x 1
7	697814	Seal, Drum Front	32	3390647	Screw, 8-18 x 1/2	52	W10184825	Cover, Inlet Valve
8	3934666	Nut, 3/8 x 16(R.H.)	33	3406124	Bulb, Light	53	W10113136	Baffle, Drum
9	W10128544	Cap-Plug	34	3387223	Electrode, Sensor	54	8519245	Bulkhead, Front (Includes Illus. 28 & 32)
10	3402841	Lens, Drum Light	35	8578825	Bracket, Drum Light	55	W10044597	Bracket, Valve
11	359625	Screw, 8-18 x 1/2	36	W10136369	Socket Assembly	56	W10044598	Hose (Not Servicable Included With Illus. 57)
12	8572105	Clip, Exhaust Pipe	37	697772	Wheel, Blower	57	W10179730	Nozzle & Hose Assembly (Includes Illus. 56,59,61,62,63)
13	8533971	Screw, 8-18 x 5/16	38	W10044615	Clip, Push-To-Connect	58	8299979	Grill, Outlet
14	8529007	Plug, Rear Bulkhead	39	3394986	Spring, Lint Screen Door	59	3391018	Tie, Cable
15	693995	Screw, 8-18 x 3/8	40	W10044596	Valve, Water Inlet (Includes Illus. 29,31,52,55)	60	697770	Seal, Cover Plate
16	W10001120	Nut, 3/8-16 (L.H.)	41	695240	Screw, 8-18 x 1/2	61	W10044579	Washer, Nozzle
17	W10124071	Bulkhead, Rear	42	8577274	Thermistor	62	W10044580	Nut, Brass
18	3387459	Washer, Support	43	487909	Screw, 8-15 x 1/2	63	W10044629	Nozzle & Screen Assembly
19	8575325	Shaft, L.H. Thread	44	8544362	Housing, Blower (Includes Illus. 49.)	64	3392519	Thermal-Fuse (91°C)
20	690997	Ring, Tri	45	8066168	Lint Duct Assembly			
21	8536973	Roller, Support						
22	8066224	Exhaust Pipe						
23	3394985	Housing, Outlet						
24	8573713	Thermal, Cut-Off						
25	W10181467	Complete Drum Assembly						

FOR ORDERING INFORMATION REFER TO PARTS PRICE LIST

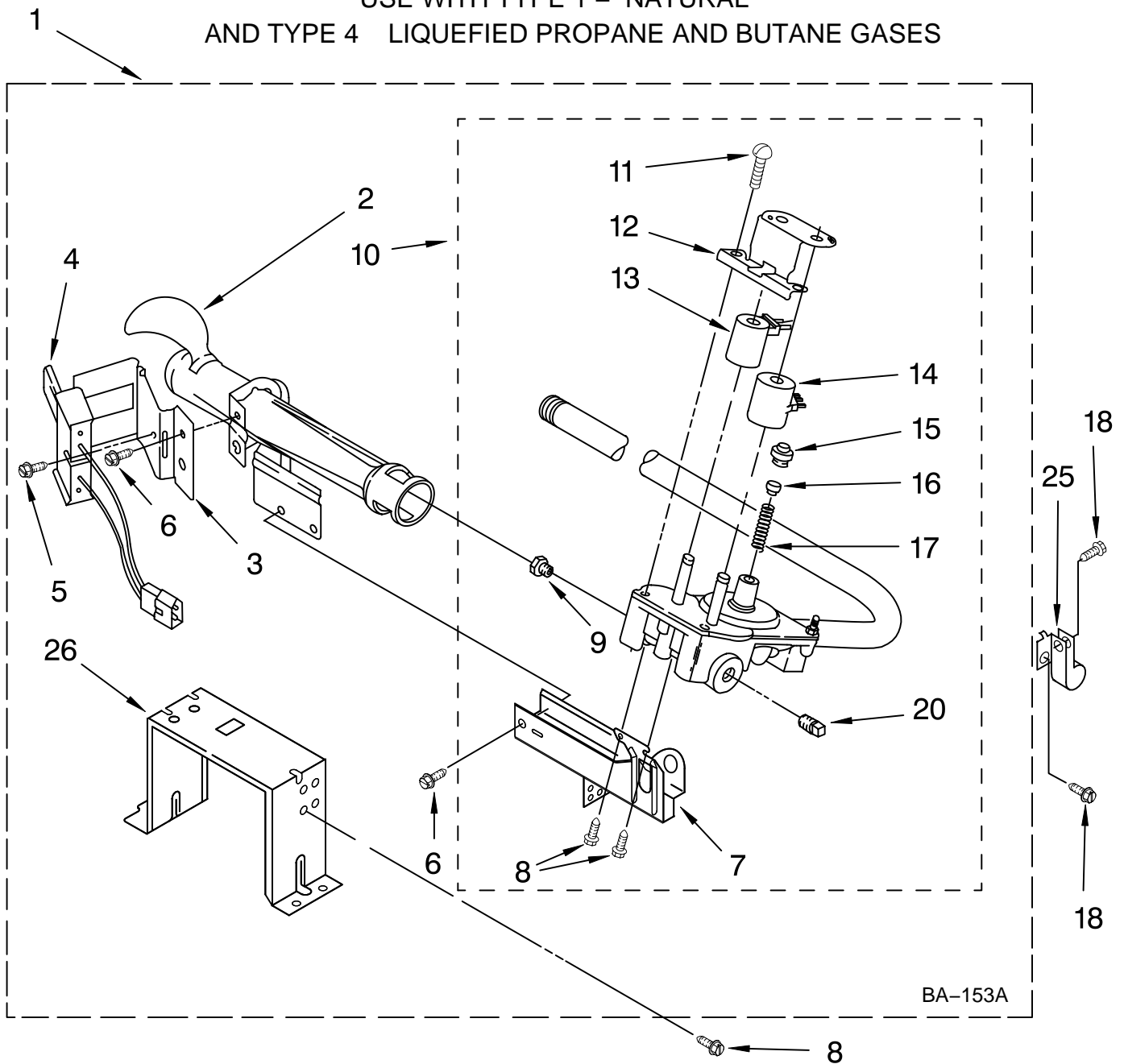
8576353 BURNER ASSEMBLY

For Models: WGD9600TW1, WGD9600TA1, WGD9600TU1, WGD9600TB1

(White) (Aspen) (Ultimate Silver) (Black/Chrome)

USE WITH TYPE 1 – NATURAL

AND TYPE 4 LIQUEFIED PROPANE AND BUTANE GASES



FOR ORDERING INFORMATION REFER TO PARTS PRICE LIST

8576353 BURNER ASSEMBLY

For Models: WGD9600TW1, WGD9600TA1, WGD9600TU1, WGD9600TB1
(White) (Aspen) (Ultimate Silver) (Black/Chrome)

USE WITH TYPE 1 – NATURAL
AND TYPE 4 LIQUEFIED PROPANE AND BUTANE GASES

Illus. No.	Part No.	DESCRIPTION
1	8576353	Burner Assembly 60 Hz. (Type 1) (White Rodgers)
2	688617	Tube, Burner
3	694298	Bracket, Ignitor
4	686590	Ignitor
5	3393909	Screw & Washer (8-32 x 7/8)
6	343641	Screw, 10-16 x 1/2
7	3389871	Base, Burner
8	3387057	Screw, 8-18 x 3/8
9		Orifice, Burner
	15418	Type 1
	15422	Type 4 (Butane)
	234867	Type 4 (Propane)
10	W10118347	Valve, Gas 60 Hz. (Complete) (Includes Pipe & Illus. #7).
11	694421	Screw, 8-32 x 1/2 (2)
12	694538	Bracket, Coil
13	694540	Coil, 60 Hz. (2 Terminal) (Main)
14	694539	Coil, 60 Hz. (Split) (3 Terminal) (Pilot Position)
15	694424	Leak, Limiter
16	694423	Screw, Regulator Adjustment
17	694422	Spring, Regulator
18	3390647	Screw, 8-18 x 1/2
20	239822	Plug, Pipe
25	3387561	Clamp, Pipe
26	3389889	Bracket, Support

Following Parts Not Illustrated

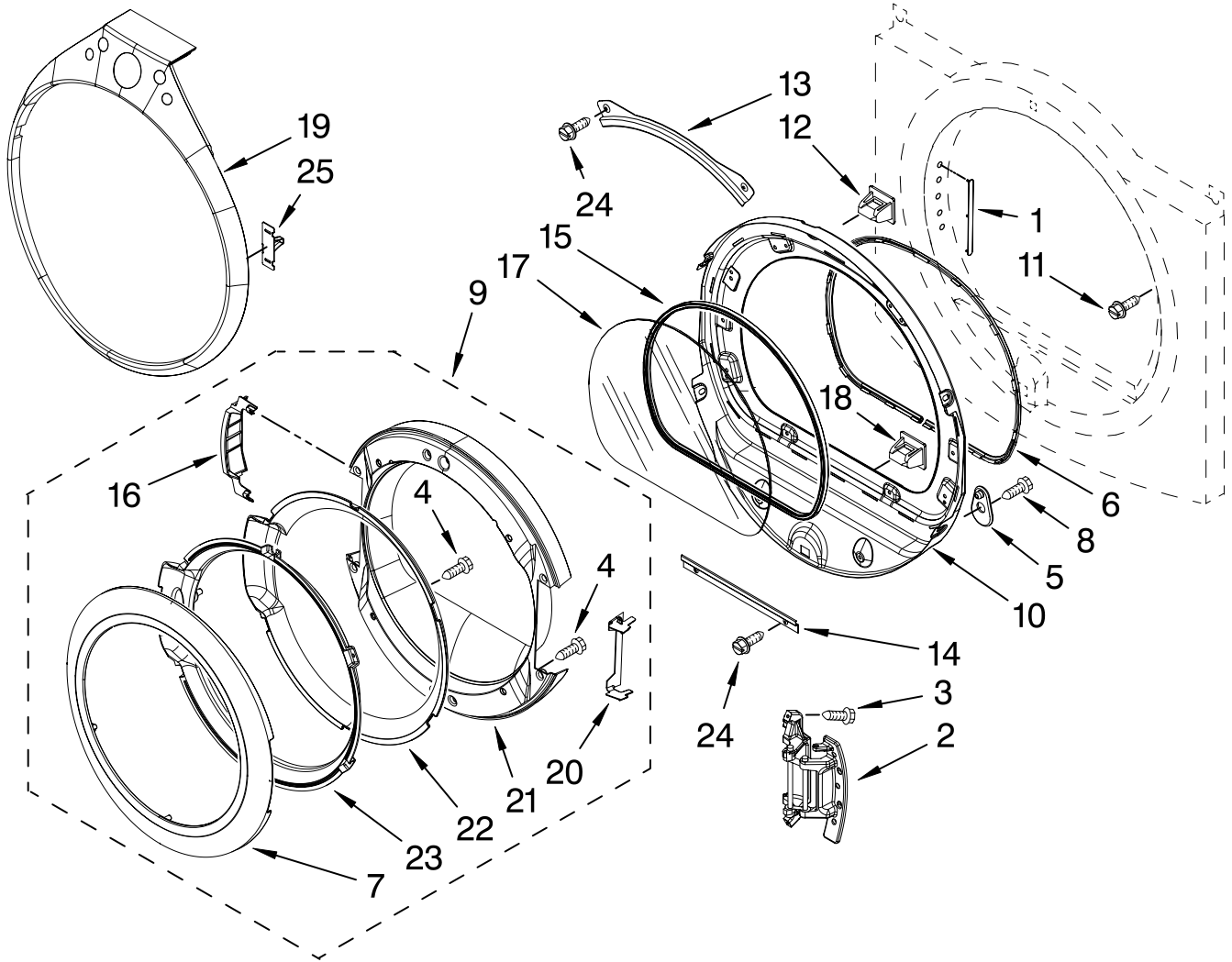
8576846 Conversion Kit
(Type 1)
to Type (4) LPG).

BA-153A

FOR ORDERING INFORMATION REFER TO PARTS PRICE LIST

DOOR PARTS

For Models: WGD9600TW1, WGD9600TA1, WGD9600TU1, WGD9600TB1
(White) (Aspen) (Ultimate Silver) (Black/Chrome)



Illus. No.	Part No.	DESCRIPTION
1	W10085210	Label, Hinge Hole White
	W10085230	Silver
2	W10139920	Door Hinge Assembly
3	W10159996	Screw, 10-24 x 3/64
4	9742177	Screw, 8-18 x 5/8
5	W10048910	Screw-Plug
6	W10139457	Seal-Door
7		Handle, Ring & Pad Assembly
	8579502	Silver
	8579503	Gold
8	3400224	Screw, 10-16 x 1/2
9	W10180115	Door Assembly (Outer)

Illus. No.	Part No.	DESCRIPTION
10	8578229	Door Assembly (Inner) (Includes Illus. 12 & 18)
11	355515	Screw, 8-18 x 11/16
12	3398175	Door Catch Assembly (Upper)
13	8519356	Retainer-Window (Upper)
14	8519354	Retainer-Window (Lower)
15	8579662	Gasket, Window
16	W10180119	Cover-Hinge, Stationary (LH) (Following Parts Not Included)
	W10181197	Cover-Hinge Stationary (RH)

Illus. No.	Part No.	DESCRIPTION
17	8566254	Window
18	690081	Door Catch Assembly (Lower)
19		Tear-Drop Trim & Clip Assembly
	W10180500	White
	W10180504	Aspen
	W10180503	Ultimate Silver
	W10180501	Black/Chrome
20	W10180120	Door Shield
21	W10180118	Door, Intermediate
22	W10180117	Door Mask
23	8578155	Door Screen
24	3393258	Screw, 10-16 x 3/8
25	W10129065	Clip-Trim (8)

FOR ORDERING INFORMATION REFER TO PARTS PRICE LIST

OPTIONAL PARTS (NOT INCLUDED)

For Models: WGD9600TW1, WGD9600TA1, WGD9600TU1, WGD9600TB1
 (White) (Aspen) (Ultimate Silver) (Black/Chrome)

Illus. No.	Part No.	DESCRIPTION
------------	----------	-------------

PAINT, TOUCH-UP (1/2oz.)

	72017	White
	72032	Black
	8212605	Ultimate Silver
	W10157756	New Aspen

PAINT, PRESSURIZED SPRAY (12 oz.)

	350930	White
	786020	Black
	350938	Primer, Gray

PAINT, BULK (1 qt.)

	799344	White (Uncut)
	786032	Black (Uncut)

ACCESSORY PARTS

	8529894	Kit, Hold Down
	8579666A	Kit, Door Reversing
	8541503	Kit, Stack Assembly
	80047	Kit, Dryer Repair
	8521957	Dry Rack

Miscellaneous Parts Bag

	W10044609	Bag Assembly Contains The Following:
	76314	(Hose Inlet) 6' Hose With Elbow
	W10044603	(Hose Inlet) 1' Hose
	3976300	Washer
	W10044604	Connector Hose

FOR ORDERING INFORMATION REFER TO PARTS PRICE LIST

Free Manuals Download Website

<http://myh66.com>

<http://usermanuals.us>

<http://www.somanuals.com>

<http://www.4manuals.cc>

<http://www.manual-lib.com>

<http://www.404manual.com>

<http://www.luxmanual.com>

<http://aubethermostatmanual.com>

Golf course search by state

<http://golfingnear.com>

Email search by domain

<http://emailbydomain.com>

Auto manuals search

<http://auto.somanuals.com>

TV manuals search

<http://tv.somanuals.com>