

Whirlpool® Side by Side Refrigerator

PRODUCT MODEL NUMBERS

ED2FHAXS	ES5FHAXS
ED5FHAXS	ES5LHAXS
ED5FVGXV	ES5PHAXS
ED5HHAXV	GD5RHAXS
ED2JHAXT	GD5RHAXT
ED5JHAXT	GS2SHAXS
ED5PHAXS	GS5SHAXS
ED5HVAXV	GS5SHAXT
ES2FHAXS	

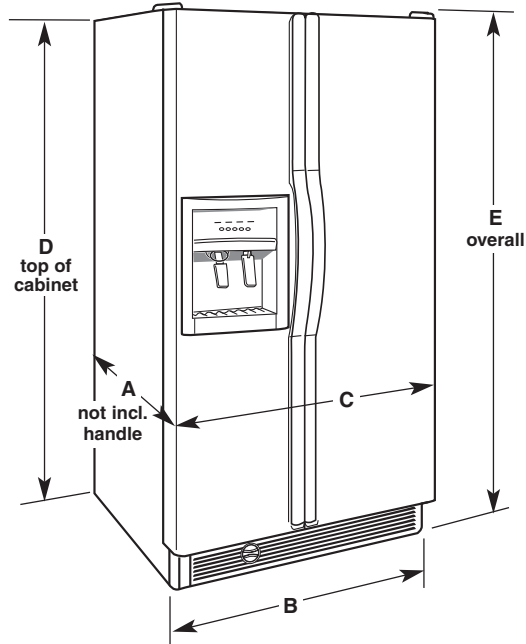
Electrical: A 115-Volt, 60-Hz, AC-only 15- or 20-amp fused, grounded electrical supply is required. It is recommended that a separate circuit serving only your refrigerator be provided. Use an outlet that cannot be turned off by a switch. Do not use an extension cord.

Water: A cold water line with water pressure between 30 and 120 psi (207 and 827 kPa) is required for the water dispenser and ice maker.

IMPORTANT: The pressure of the water supply coming out of a reverse osmosis system going to the water inlet valve of the refrigerator needs to be between 30 and 120 psi (207 and 827 kPa).

If a reverse osmosis water filtration system is connected to your cold water supply, the water pressure to the reverse osmosis system needs to be a minimum of 40 to 60 psi (276 to 414 kPa).

PRODUCT DIMENSIONS

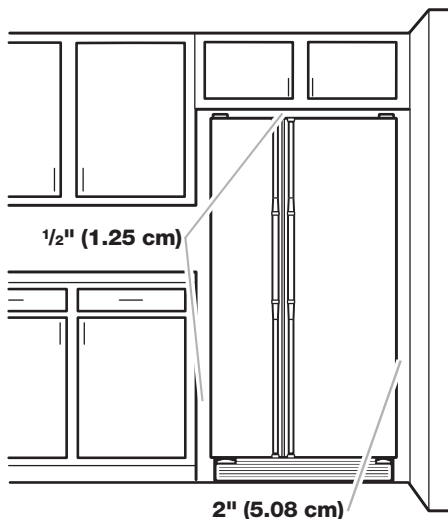


Handle and door style will vary with model.

Dimensions "D" and "E" include rollers extended 3/4" (1.9 cm).

Model Size	Depth "A"	Cab. Width "B"	Door Width "C"	Cab. Height "D"	Overall Height "E"
ED2FHAXS	31-3/8" (79.7 cm)	32-3/4" (83.2 cm)	33-1/8" (84.1 cm)	65-7/8" (167.3 cm)	66-3/4" (169.5 cm)
ED5FHAXS	31-3/8" (79.7 cm)	35-1/2" (90.2 cm)	35-7/8" (91.1 cm)	68-7/8" (174.9 cm)	69-3/4" (177.2 cm)
ED5FVGXV	31-3/8" (79.7 cm)	35-1/2" (90.2 cm)	35-7/8" (91.1 cm)	68-7/8" (174.9 cm)	69-3/4" (177.2 cm)
ED5HHAXV	31-3/8" (79.7 cm)	35-1/2" (90.2 cm)	35-7/8" (91.1 cm)	68-7/8" (174.9 cm)	69-3/4" (177.2 cm)
ED2JHAXT	31-3/8" (79.7 cm)	32-3/4" (83.2 cm)	33-1/8" (84.1 cm)	65-7/8" (167.3 cm)	66-3/4" (169.5 cm)
ED5JHAXT	31-3/8" (79.7 cm)	35-1/2" (90.2 cm)	35-7/8" (91.1 cm)	68-7/8" (174.9 cm)	69-3/4" (177.2 cm)
ED5PHAXS	31-3/8" (79.7 cm)	35-1/2" (90.2 cm)	35-7/8" (91.1 cm)	68-7/8" (174.9 cm)	69-3/4" (177.2 cm)
ED5HVAXV	31-3/8" (79.7 cm)	35-1/2" (90.2 cm)	35-7/8" (91.1 cm)	68-7/8" (174.9 cm)	69-3/4" (177.2 cm)
ES2FHAXS	33-1/4" (84.5 cm)	32-3/4" (83.2 cm)	33-1/4" (84.5 cm)	65-7/8" (167.3 cm)	67-1/4" (170.8 cm)
ES5FHAXS	33-1/4" (84.5 cm)	35-1/2" (90.2 cm)	36" (91.4 cm)	68-7/8" (174.9 cm)	70-1/4" (178.4 cm)
ES5LHAXS	33-1/4" (84.5 cm)	35-1/2" (90.2 cm)	36" (91.4 cm)	68-7/8" (174.9 cm)	70-1/4" (178.4 cm)
ES5PHAXS	33-1/4" (84.5 cm)	35-1/2" (90.2 cm)	36" (91.4 cm)	68-7/8" (174.9 cm)	70-1/4" (178.4 cm)
GD5RHAXS	31-3/8" (79.7 cm)	35-1/2" (90.2 cm)	35-7/8" (91.1 cm)	68-7/8" (174.9 cm)	69-3/4" (177.2 cm)
GD5RHAXT	31-3/8" (79.7 cm)	35-1/2" (90.2 cm)	35-7/8" (91.1 cm)	68-7/8" (174.9 cm)	69-3/4" (177.2 cm)
GS2SHAXS	33-1/4" (84.5 cm)	32-3/4" (83.2 cm)	33-1/4" (84.5 cm)	65-7/8" (167.3 cm)	67-1/4" (170.8 cm)
GS5SHAXS	33-1/4" (84.5 cm)	35-1/2" (90.2 cm)	36" (91.4 cm)	68-7/8" (174.9 cm)	70-1/4" (178.4 cm)
GS5SHAXT	33-1/4" (84.5 cm)	35-1/2" (90.2 cm)	36" (91.4 cm)	68-7/8" (174.9 cm)	70-1/4" (178.4 cm)

LOCATION REQUIREMENTS



To ensure proper ventilation for your refrigerator, allow for 1/2" (1.25 cm) space on each side and at the top. When installing your refrigerator next to a fixed wall, leave 2" (5.08 cm) minimum on each side (depending on your model) to allow for the door to swing open. If your refrigerator has a water dispenser and ice maker, allow extra space at the back for the water line connections.

NOTE: Do not install the refrigerator near an oven, radiator, or other heat source, nor in a location where the temperature will fall below 55°F (13°C).

Free Manuals Download Website

<http://myh66.com>

<http://usermanuals.us>

<http://www.somanuals.com>

<http://www.4manuals.cc>

<http://www.manual-lib.com>

<http://www.404manual.com>

<http://www.luxmanual.com>

<http://aubethermostatmanual.com>

Golf course search by state

<http://golfingnear.com>

Email search by domain

<http://emailbydomain.com>

Auto manuals search

<http://auto.somanuals.com>

TV manuals search

<http://tv.somanuals.com>