

## COOKTOP DDRAFT

# Repair Parts List

MODEL NUMBER

G101

When requesting service or ordering parts, always provide the following information:

- Product Type
- Part Number
- Model Number
- Part Description

**MAYTAG**®

©2005 Maytag Services

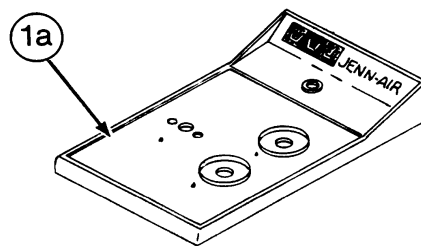
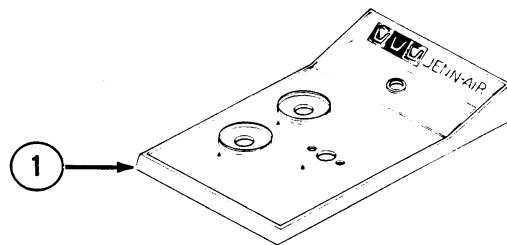
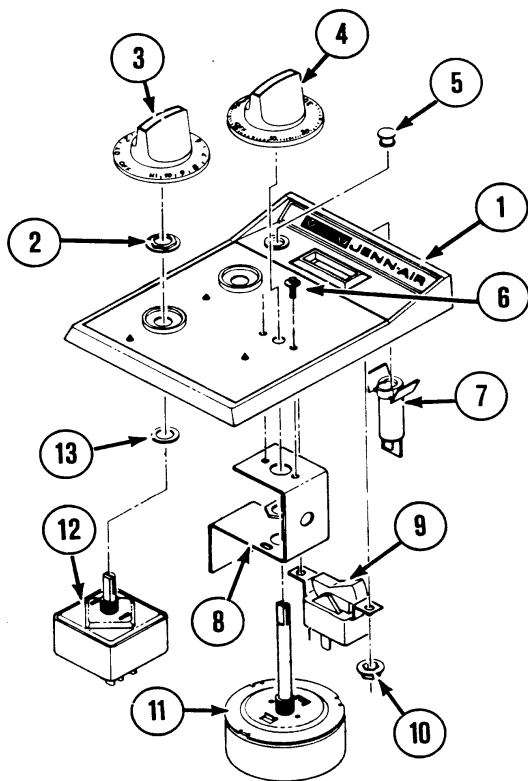
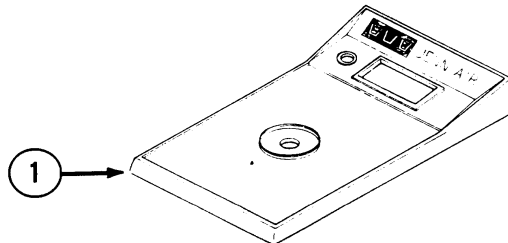
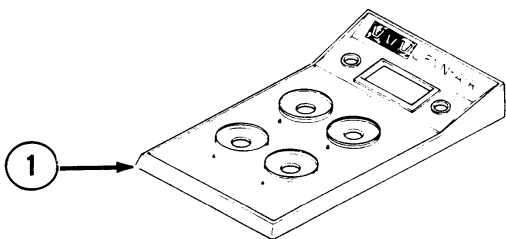
# Section: ESCUTCHEON ASSEMBLY

Model: G101

File: Parts  
Cooks  
P/N 742316R2

## I. ESCUTCHEON ASSEMBLY

### G101



(Refer to the parts lists for appropriate model.)

## Section: ESCUTCHEON ASSEMBLY

No.	Part No.	Description	Series	Qty
1	N 701598	ESCUTCHEON (NEW W/CAST LOGO)	1	1
2	-----	NOT REQUIRED PART OR SEE NOTE	1	0
3	700854	KNOB, SWITCH	1	1
3	N 703272	KNOB, SWITCH	5	1
4	-----	NOT REQUIRED PART OR SEE NOTE	1	0
5	700631	LENS, PILOT LIGHT	1	1
6	-----	NOT REQUIRED PART OR SEE NOTE	1	0
7	715396	PILOT LIGHT & LENS	1	1
8	-----	NOT REQUIRED PART OR SEE NOTE	1	0
9	715397	SWITCH, FAN	1	1
11	-----	NOT REQUIRED PART OR SEE NOTE	1	0
12	703147	SWITCH, INFINITE	5	1
12	700855	SWITCH, INFINITE	1	1
13	700833	O RING	1	1
-	N 712179	KIT, WIRE	5	1
-	N 702026	ESCUT WR KIT	1	1
-	16000448	MANUAL, SERVICE-NO REFUND	1	1

\*Color Code (-)=Not Shown #=Series, Serial Prefix or Run No., N=Not Available

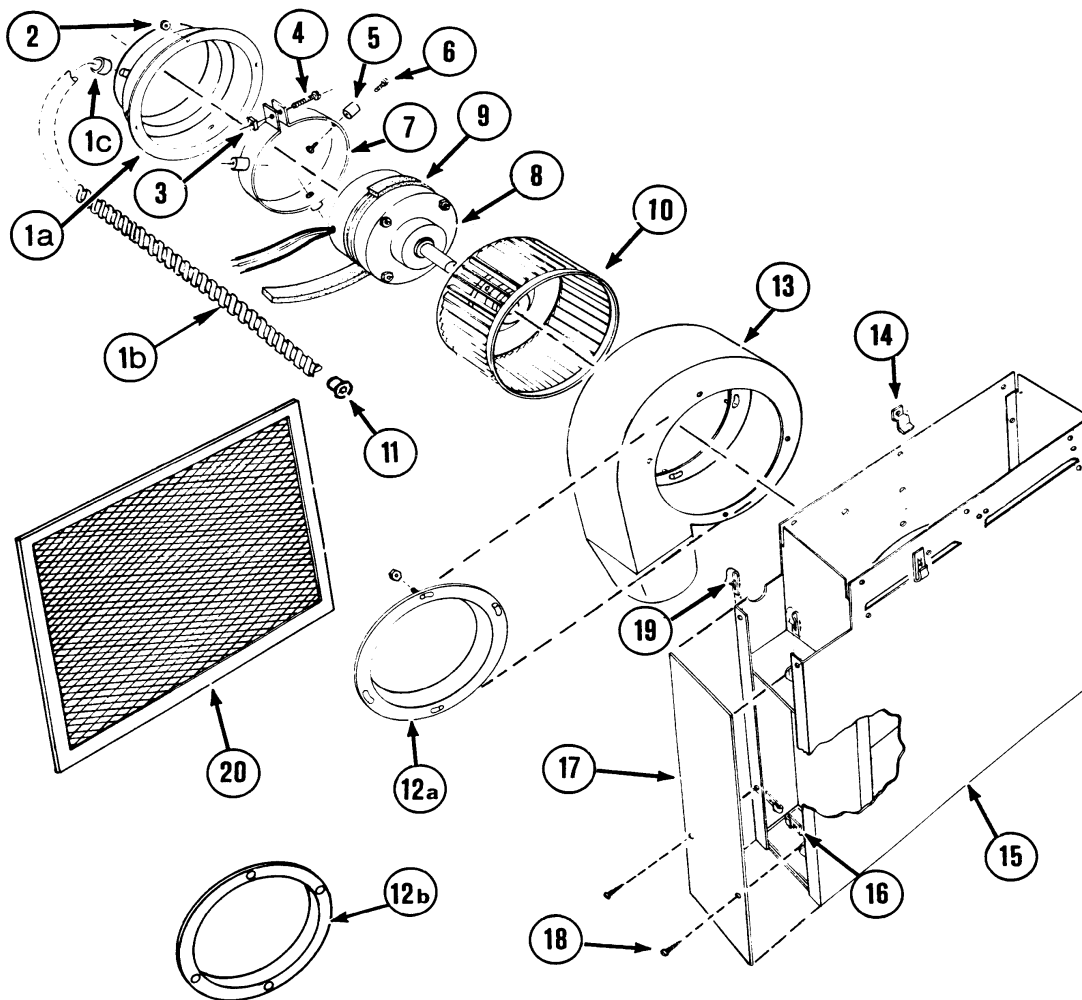
Section: BLOWER ASSEMBLY

Model: G101

II. BLOWER/PLENUM ASSEMBLY

File: Parts  
Cooktops  
P/N 742316R2

G101



(Refer to the parts lists for appropriate mode.)

## Section: BLOWER ASSEMBLY

No.	Part No.	Description	Series	Qty
-	715780	CLAMP, CABLE	1	1
1	N 708863	COVER,MOTOR	1	1
1	700027	MOTOR COVER ASSEMBLY	1	1
1	707766	CONNECTOR	1	1
1	707758	CONDUIT	1	1
-	707335	CLIP	1	1
2	707702	LOCKNUT	1	8
3	N 707161	NUT	1	1
4	707402	SCREW	1	1
5	708926	ISOLATOR	1	3
6	707407	SCREW	1	6
7	707393	BAND, MOTOR	1	1
8	707704	MOTOR	1	1
9	715957	FOAM, URETHANE	1	1
10	707985	WHEEL, BLOWER	1	1
11	N 708185	BUSHING	1	1
12	N 786316	RING, INLET (WITH STUDS)	1	1
12	N 702295	RING, INLET	1	1
13	N 712053	BLOWER SCROLL KIT	1	1
14	707688	RETAINER, FILTER	1	1
15	N 701840	PLENUM	1	1
16	701958	CLIP, TINNEMAN	1	2
17	707681	PLATE, COVER	1	1
18	707172	SCREW	1	2
19	707831	CLIP	1	1
20	707929	FILTER, GREASE	1	1

\*Color Code (-)=Not Shown #=Series, Serial Prefix or Run No., N=Not Available

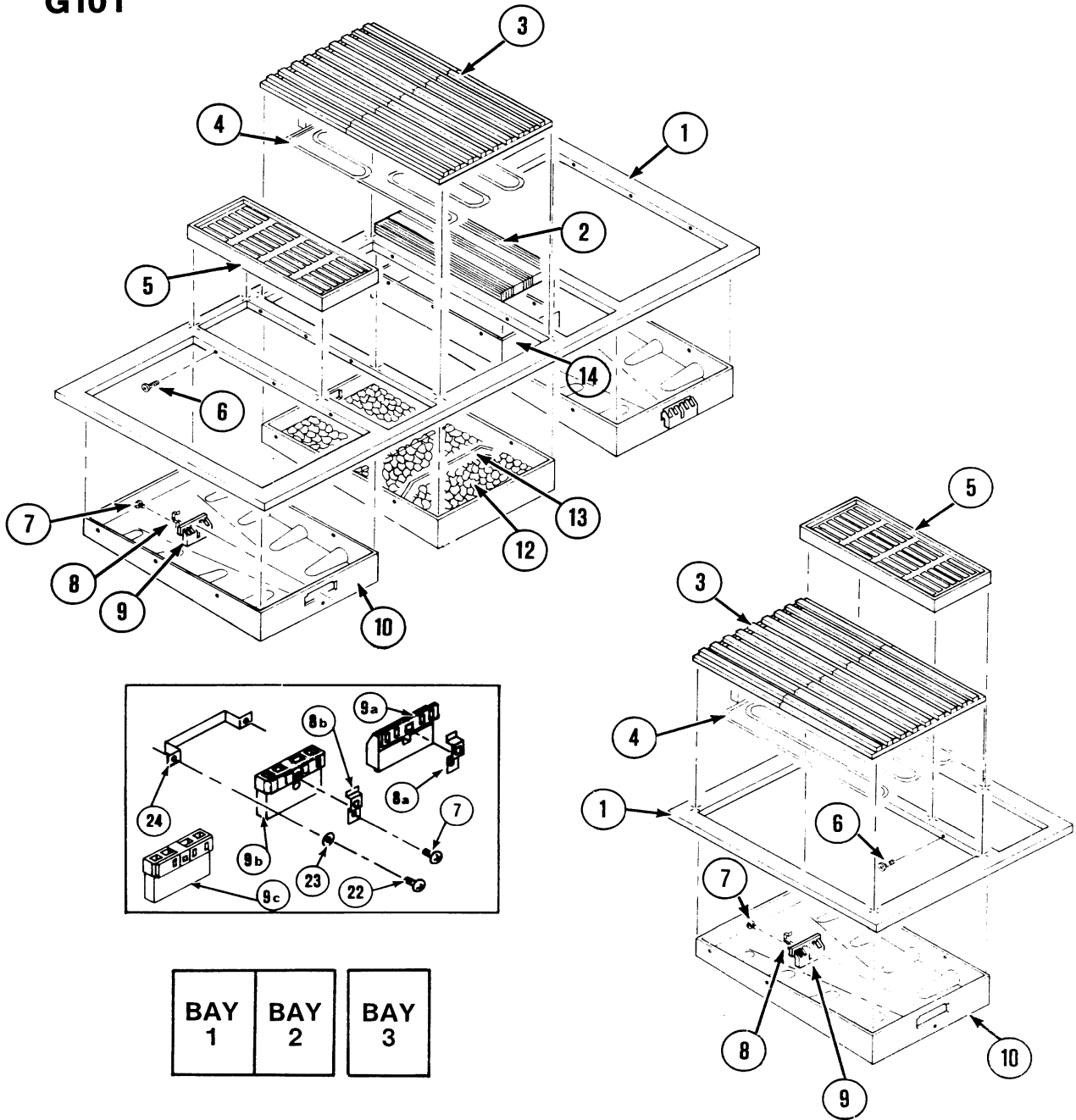
Section: TOP ASSEMBLY

Model: G101

III. TOP ASSEMBLY

File: Parts  
Cooktops  
P/N 742316R2

G101



(Refer to the parts lists for appropriate Model.)

## Section: TOP ASSEMBLY

No.	Part No.	Description	Series	Qty
1	N 700668	TOP 2366	1	1
2	-----	NOT REQUIRED PART OR SEE NOTE	1	0
3	707886	GRATE	1	2
4	787834	ELEMENT, GRILL	3	1
4	700491	ELEMENT, GRILL	1	1
5	N 700667	GRILL, AIR	1	1
6	N 707347	SCREW	1	12
7	N 707341	SCREW	1	1
8	702699	CLIP	3	1
8	715121	CLIP	1	1
9	702434	RECEPTACLE (CERAMIC)	3	1
9	715120	RECEPTACLE	1	1
10	712017	WIRE, BLACK	3	1
10	N 701491	WIRE, RED	1	1
-	701955	PAN, GRILL (LT)	3	1
10	N 712015	WIRE, RED	3	1
10	N 701953	PAN, GRILL (W/BRACKETS)	1	1
10	N 701490	WIRE, BLACK	1	1
12	708929	PLATE, ROCK	1	2
13	700819	SUPPORT, ROCK PLATE	1	2
22	707172	SCREW	3	2
23	707664	WASHER	3	2
24	702698	BRACKET	3	1

\*Color Code (-)=Not Shown #=Series, Serial Prefix or Run No., N=Not Available

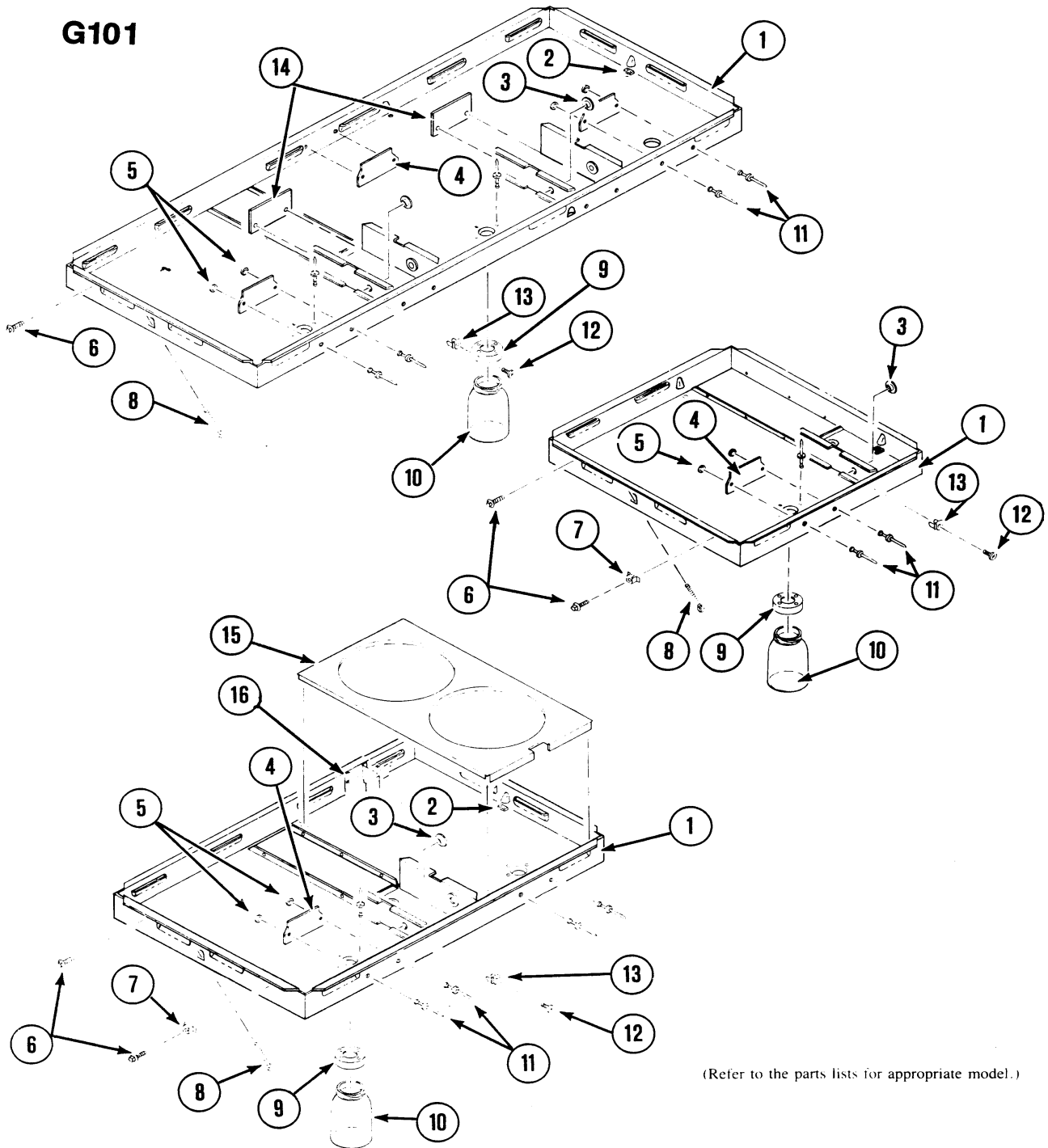
Section: BURNER BOX ASSEMBLY

Model: G101

File: Parts  
Cooktops  
P/N 742316R2

IV. BURNER BOX ASSEMBLY

G101



© Copyright 1985 Jenn-Air Company.

JAA1F7



## Section: BURNER BOX ASSEMBLY

No.	Part No.	Description	Series	Qty
1	712056	BOX, BURNER	3	1
1	701994	BOX, BURNER	1	1
2	707124	NUT,SQUARE	1	3
4	N 701995	INSULATOR	1	2
5	707664	WASHER	1	2
6	700502	SCREW	1	2
7	700503	CLIP, RETAINER	1	2
8	707121	SCREW	1	3
9	N 707870	LID, JAR	1	1
10	707869	JAR, DRAIN	1	1
11	N 707128	RIVET, JAR LID	1	6

\*Color Code (-)=Not Shown #=Series, Serial Prefix or Run No., N=Not Available



## Free Manuals Download Website

<http://myh66.com>

<http://usermanuals.us>

<http://www.somanuals.com>

<http://www.4manuals.cc>

<http://www.manual-lib.com>

<http://www.404manual.com>

<http://www.luxmanual.com>

<http://aubethermostatmanual.com>

Golf course search by state

<http://golfingnear.com>

Email search by domain

<http://emailbydomain.com>

Auto manuals search

<http://auto.somanuals.com>

TV manuals search

<http://tv.somanuals.com>