



Electric Built-in Cooktop

PRODUCT MODEL NUMBERS

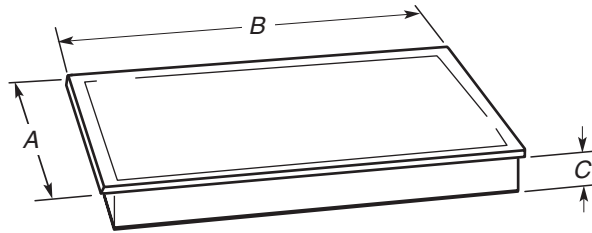
GJC3034R	GJC3654R
GJC3054R	GJC3655R
GJC3055R	RCC3024R
GJC3634R	

Electrical: A 4-wire or 3-wire, single phase, 240 volt, 60 Hz., AC only electrical supply is required on a separate, 40-amp circuit, fused on both sides of the line. Use 8 gauge copper wire.

NOTE: The 15" (38.1 cm) model series requires a 20-amp circuit. Use 12 gauge copper wire.

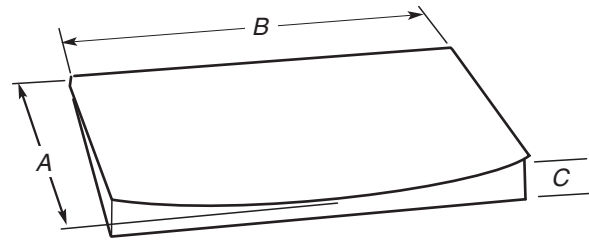
OVERALL DIMENSIONS

Straight-edge cooktop



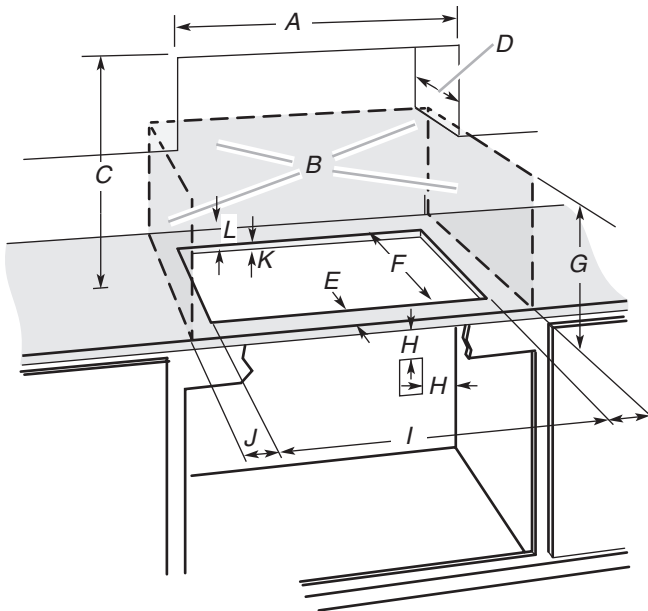
- A. 21⁵/₁₆" (54.1 cm)
- B. 16⁹/₁₆" (42.1 cm)
30³/₁₆" (77.1 cm)
36⁵/₁₆" (92.3 cm)
- C. 2⁷/₈" (7.3 cm)

Curved-edge cooktop

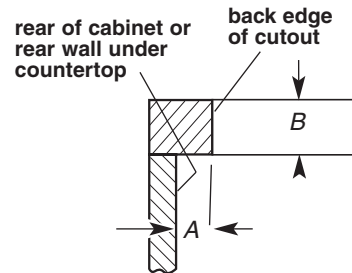


- A. 22¹/₈" (56.1 cm)
- B. 16⁹/₁₆" (42.1 cm)
30³/₁₆" (77.1 cm)
36⁵/₁₆" (92.3 cm)
- C. 2⁷/₈" (7.3 cm)

CABINET OPENING DIMENSIONS



For model 15" (38.1 cm) model only:



- A. 1¹/₁₆" (1.7 cm) min.
- B. 1¹/₂" (3.8 cm) max.

- F. 20¹/₂" (52 cm)
- G. 18" (45.7 cm) minimum clearance from upper cabinet to countertop within minimum horizontal clearances to cooktop
- H. Junction box or outlet; 12" (30.5 cm) minimum from bottom of countertop; 10" (25.4 cm) from right side of cabinet
- I. 14¹/₂" (36.8 cm) on 15" (38.1 cm) models; 29¹/₂" (74.9 cm) on 30" (76.2 cm) models; 35¹/₂" (90.2 cm) on 36" (91.4 cm) models
- J. 1" (2.5 cm) minimum distance to nearest left and right side combustible surface above cooktop
- K. 1¹/₂" (3.8 cm) max. counter thickness on 15" (38.1 cm) models. See following illustration.
- L. 1" (2.5 cm) minimum clearance between back wall and countertop

- A. 15" (38.1 cm) on 15" (38.1 cm) models; 30" (76.2 cm) on 30" (76.2 cm) models; 36" (91.4 cm) on 36" (91.4 cm) models
- B. Combustible area above countertop (shown by dashed box above)
- C. 30" (76.2 cm) minimum clearance between top of cooktop platform and bottom of unprotected wood or metal cabinet (24" [61 cm] minimum clearance if bottom of wood or metal cabinet is protected by not less than 1/4" [0.6 cm] flame retardant millboard covered with not less than No. 28 MSG sheet steel, 0.015" [0.04 cm] stainless steel, or 0.024" [0.06 cm] aluminum or 0.020" [0.05 cm] copper)
- D. 13" (33 cm) recommended upper cabinet depth
- E. 2" (5.1 cm)

Free Manuals Download Website

<http://myh66.com>

<http://usermanuals.us>

<http://www.somanuals.com>

<http://www.4manuals.cc>

<http://www.manual-lib.com>

<http://www.404manual.com>

<http://www.luxmanual.com>

<http://aubethermostatmanual.com>

Golf course search by state

<http://golfingnear.com>

Email search by domain

<http://emailbydomain.com>

Auto manuals search

<http://auto.somanuals.com>

TV manuals search

<http://tv.somanuals.com>