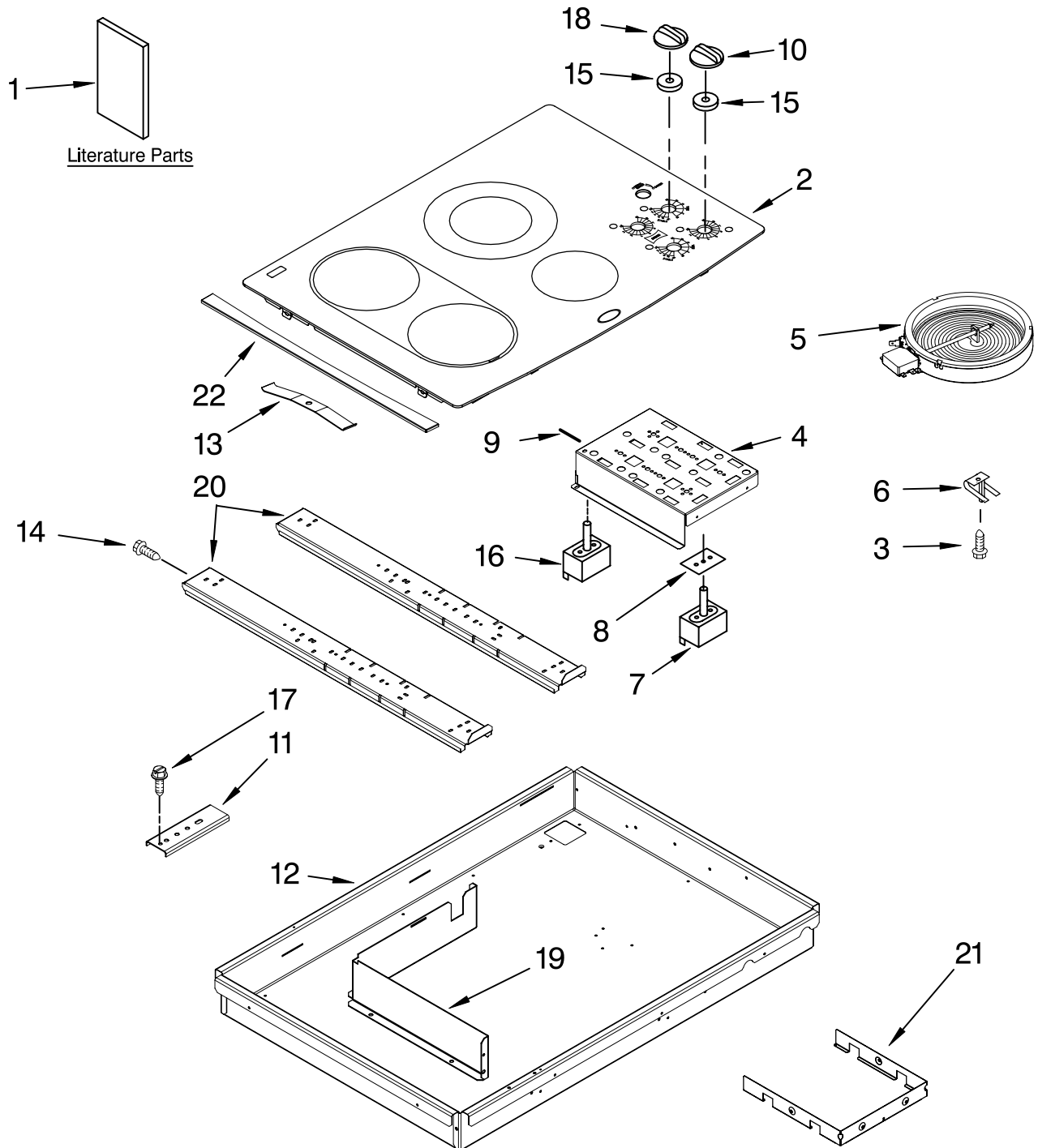




# COOKTOP PARTS

For Models: GJC3034RP02, GJC3034RB02, GJC3034RC02, GJC3034RS02  
(Pure White) (Black) (Pure Biscuit) (Stainless)

36" ELECTRIC  
BUILT-IN CERAMIC  
COOKTOP



FOR ORDERING INFORMATION REFER TO PARTS PRICE LIST

# COOKTOP PARTS

For Models: GJC3034RP02, GJC3034RB02, GJC3034RC02, GJC3034RS02  
(Pure White) (Black) (Pure Biscuit) (Stainless)

| Illus. No. | Part No.  | DESCRIPTION        | Illus. No. | Part No.  | DESCRIPTION         | Illus. No. | Part No.  | DESCRIPTION      |
|------------|-----------|--------------------|------------|-----------|---------------------|------------|-----------|------------------|
| 1          |           | Literature Parts   | 5          |           | Element, Surface    | 14         | 3196537   | Screw            |
|            |           | Installation       |            | 8523698   | 1200W – RF          | 15         | 8285469   | Seal, Switch     |
|            |           | Instructions       |            | 8285848   | 4300W – LF & LR     |            |           | Shaft (5)        |
|            | 8286066   | Cooktop            |            | 4453909   | 1200/2500W – RR     | 16         | 9762441   | Switch, Rotary   |
|            | 8304571   | Undercounter Oven  | 6          | 9759094   | Spring, Locator (6) |            |           | Accusimer        |
|            | 8286614   | Use & Care Guide   | 7          |           | Switch, Infinite    | 17         | 3400093   | Screw            |
|            | 8286341   | Wiring Diagram     |            | 3191050   | Use W/LR Burner     | 18         |           | Knob, Accusimer  |
|            |           | Safer Cooking Tips |            | 9759474   | Use W/LF & RR       |            | 8286044WH | White            |
|            | 3191638   | English            |            |           | Burners             |            | 8286044BL | Black            |
|            | 9759133   | French             |            | 3191049   | Use W/RF Burner     |            | 8286044BT | Biscuit          |
|            |           |                    |            |           | Burners             | 19         | 8285949   | Control, Heat    |
| 2          |           | Cooktop & Bracket  | 8          | 3183956   | Seal, Switch        |            |           | Shield           |
|            |           | Assembly           |            |           | Cover (5)           | 20         | 9763517   | Rail, Element(2) |
|            | W10048380 | White              | 9          | 3192439   | Seal, Limiter (4)   |            | 3191839   | Seal, Heat       |
|            | W10048360 | Black              | 10         |           | Knob, Control (4)   | 21         | 8286396   | Shield, Heat     |
|            | W10048370 | Biscuit            |            | 8286043WH | White               |            | 8286426   | Seal             |
| 3          | 246119    | Screw (8)          |            | 8286043BL | Black               |            | 3196160   | Screw            |
| 4          | 8285928   | Bracket, Switch    |            | 8286043BT | Biscuit             | 22         |           | Trim, Cooktop    |
|            |           | Mounting           | 11         | 4455917   | Bracket, Mounting   |            |           | (Stainless Only) |
|            |           |                    | 12         | 8285862   | Box, Burner         |            | 8285991   | Right            |
|            |           |                    | 13         | 8286582   | Spring Clip,        |            | 8285990   | Left             |
|            |           |                    |            |           | Bridge (3)          |            |           |                  |

FOR ORDERING INFORMATION REFER TO PARTS PRICE LIST

# OPTIONAL PARTS

For Models: GJC3034RP02, GJC3034RB02, GJC3034RC02, GJC3034RS02  
(Pure White) (Black) (Pure Biscuit) (Stainless)

| <b>Illus.</b> | <b>Part</b> |                    |
|---------------|-------------|--------------------|
| <b>No.</b>    | <b>No.</b>  | <b>DESCRIPTION</b> |

---

## FOLLOWING PARTS NOT ILLUSTRATED

---

8286642 Tape, Foam  
3172515 Mounting  
Hardware Kit  
4455364 Bracket  
Support (6)

## SPLICING WIRES--25FT.

### LENGTH

4456028 Wire, Jumper  
242828 Wire, Black  
12 Ga. 150° C  
242820 Wire, Black  
14 Ga. 150° C  
242822 Wire, Blue  
14 Ga. 150° C  
242830 Wire, Brown  
14 Ga. 200° C  
242823 Wire, Green  
14 Ga. 150° C  
242824 Wire, Orange  
14 Ga. 150° C  
242825 Wire, Red  
14 Ga. 150° C  
242831 Wire, Red  
14 Ga. 200° C  
242827 Wire, Yellow  
14 Ga. 150° C

## ACCESSORY PARTS

3191048 Cleaner

## WIRING HARNESS PARTS

8286409 Wiring Harness  
Surface Unit  
8286347 Harness, Light  
8286413 Conduit  
3400015 Screw

FOR ORDERING INFORMATION REFER TO PARTS PRICE LIST

## Free Manuals Download Website

<http://myh66.com>

<http://usermanuals.us>

<http://www.somanuals.com>

<http://www.4manuals.cc>

<http://www.manual-lib.com>

<http://www.404manual.com>

<http://www.luxmanual.com>

<http://aubethermostatmanual.com>

Golf course search by state

<http://golfingnear.com>

Email search by domain

<http://emailbydomain.com>

Auto manuals search

<http://auto.somanuals.com>

TV manuals search

<http://tv.somanuals.com>