

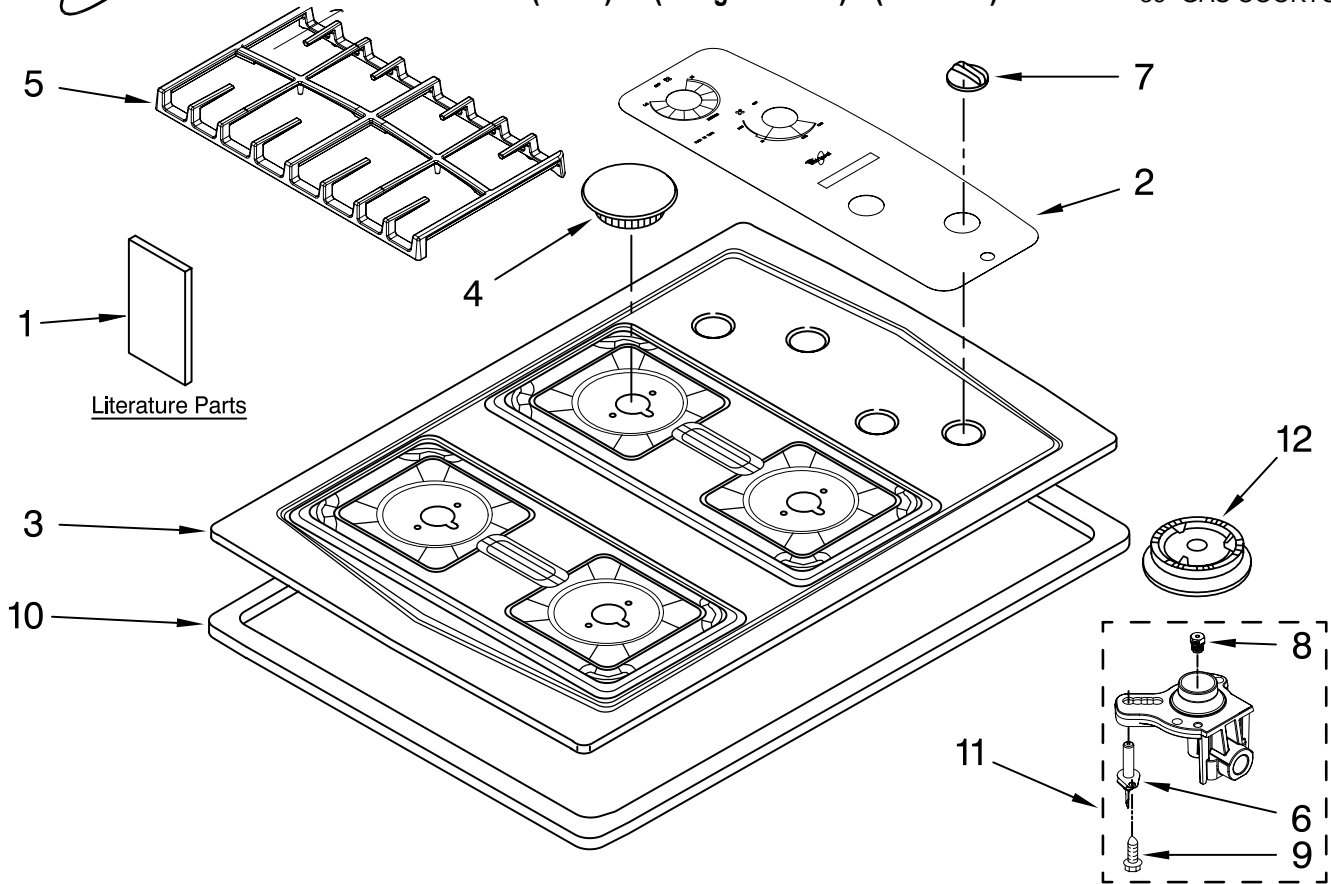


# COOKTOP, BURNER AND GRATE PARTS

For Models: SCS3617RB03, SCS3617RQ03, SCS3617RS03

(Black) (Designer White) (Stainless)

36" GAS COOKTOP



| Illus. No. | Part No.  | DESCRIPTION               |
|------------|-----------|---------------------------|
| 1          | 3192098   | Literature Parts          |
|            | W10131955 | Wiring Diagram            |
|            |           | Installation Instructions |
|            | 8286620   | Conversion Instructions   |
|            | 8286994   | Use & Care Guide          |
|            |           | Safe Cooking Tips         |
|            | 3191638   | English                   |
|            | 9759133   | French                    |
| 2          | 8286502   | Panel, Control            |
|            | 8286503   | Black                     |
|            |           | White                     |
| 3          |           | Cooktop                   |
|            | 3191252   | Black                     |
|            | 3191253   | White                     |
|            | 3191289   | Stainless                 |

| Illus. No. | Part No.  | DESCRIPTION       |
|------------|-----------|-------------------|
| 4          |           | Cap, Burner       |
|            |           | RF                |
|            | 8286153CB | Coal Matte Black  |
|            | 8286153CG | Cumberland Gray   |
|            | 8286153EP | Espresso          |
|            |           | LR                |
|            | 8286154CB | Coal Matte Black  |
|            | 8286154CG | Cumberland Gray   |
|            | 8286154EP | Espresso          |
|            |           | LF & RR           |
|            | 8286155CB | Coal Matte Black  |
|            | 8286155CG | Cumberland Gray   |
|            | 8286155EP | Espresso          |
| 5          |           | Grate             |
|            |           | Right             |
|            | 8285885CB | Coal Matte Black  |
|            | 8285885CG | Cumberland Gray   |
|            | 8285885EP | Espresso          |
|            |           | Left              |
|            | 8285887CB | Coal Matte Black  |
|            | 8285887CG | Cumberland Gray   |
|            | 8285887EP | Espresso          |
| 6          | 9782116   | Electrode         |
| 7          |           | Knob, Control (4) |
|            | 8286057BL | Black             |
|            | 8286057WH | White             |

| Illus. No. | Part No.  | DESCRIPTION             |
|------------|-----------|-------------------------|
| 8          |           | Orifice                 |
|            | 8286473   | RF                      |
|            | 3192523   | LR                      |
|            | 8286551   | LF & RR                 |
| 9          | 8273062   | Screw                   |
| 10         | 9760279   | Seal, Foam              |
|            |           | (Stainless Models Only) |
| 11         |           | Holder, Orifice         |
|            | W10128449 | RF                      |
|            | W10128450 | LR                      |
|            | W10128451 | LF & RR                 |
| 12         |           | Head, Burner            |
|            | 8286181   | RF                      |
|            | 8286184   | LR                      |
|            | 8286182   | LF & RR                 |

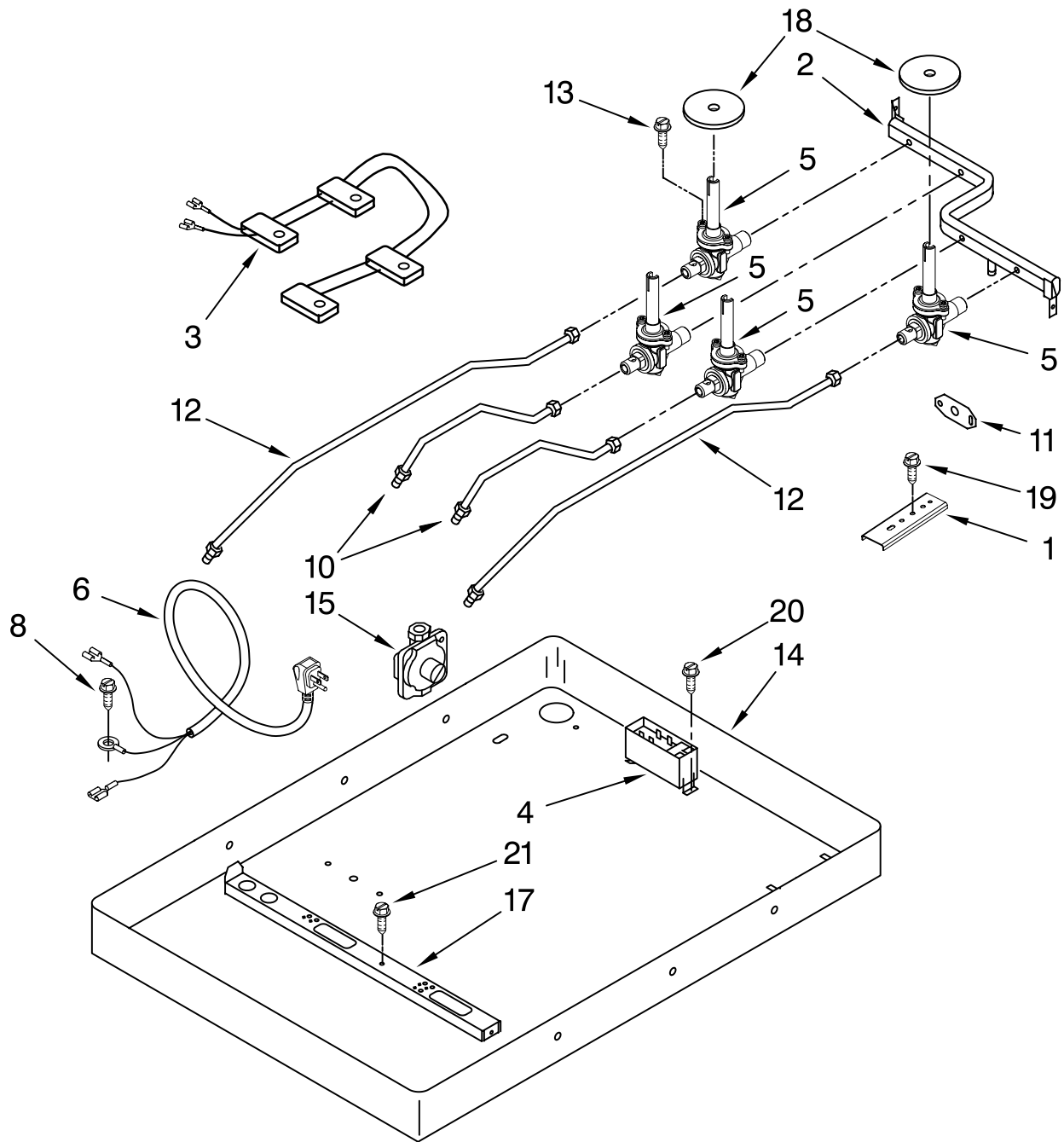
**Following Parts Not Illustrated**

|  |         |               |
|--|---------|---------------|
|  |         | Harness, Wire |
|  |         | Ignitor       |
|  | 4456626 | 15"           |
|  | 4456627 | 28"           |

FOR ORDERING INFORMATION REFER TO PARTS PRICE LIST

# BURNER BOX, GAS VALVES, AND SWITCHES

For Models: SCS3617RB03, SCS3617RQ03, SCS3617RS03  
(Black) (Designer White) (Stainless)



FOR ORDERING INFORMATION REFER TO PARTS PRICE LIST

# BURNER BOX, GAS VALVES, AND SWITCHES

For Models: SCS3617RB03, SCS3617RQ03, SCS3617RS03  
(Black) (Designer White) (Stainless)

| <b>Illus.<br/>No.</b> | <b>Part<br/>No.</b> | <b>DESCRIPTION</b>               |
|-----------------------|---------------------|----------------------------------|
| 1                     | 4455917             | Bracket, (2)<br>Cooktop Mounting |
| 2                     | 9759354             | Pipe, Manifold                   |
| 3                     | 4456905             | Harness, Switches                |
| 4                     | 8522423             | Spark Module                     |
| 5                     |                     | Valve, Burner                    |
|                       | 4456817             | Large (Black)                    |
|                       | 8286559             | Auxi (White)                     |
|                       | 8286560             | Rapid (Purple)                   |
| 6                     | 9763116             | Power Cord                       |
| 8                     | 3177991             | Screw, Ground                    |
| 10                    | 3191318             | Tubing, Burner<br>RR & RF        |
| 11                    | 3192491             | Bracket, Manifold                |
| 12                    | 3191322             | Tubing, Burner<br>LR & LF        |
| 13                    | 3196160             | Screw                            |
| 14                    | 4456781             | Box, Burner                      |
| 15                    | W10131956           | Regulator,<br>Pressure           |
| 17                    | 8286099             | Rail, Burner (2)                 |
| 18                    | 3191387             | Seal, (4)<br>Switch Cover        |
| 19                    | 3400093             | Screw                            |
| 20                    | 3400843             | Screw                            |
| 21                    | 4449809             | Screw                            |

---

**Following Parts Not Illustrated  
and Optional Parts Not Included**

---

8286320 Gas Conversion Kit  
(Natural Gas To  
LP Gas)

## Free Manuals Download Website

<http://myh66.com>

<http://usermanuals.us>

<http://www.somanuals.com>

<http://www.4manuals.cc>

<http://www.manual-lib.com>

<http://www.404manual.com>

<http://www.luxmanual.com>

<http://aubethermostatmanual.com>

Golf course search by state

<http://golfingnear.com>

Email search by domain

<http://emailbydomain.com>

Auto manuals search

<http://auto.somanuals.com>

TV manuals search

<http://tv.somanuals.com>