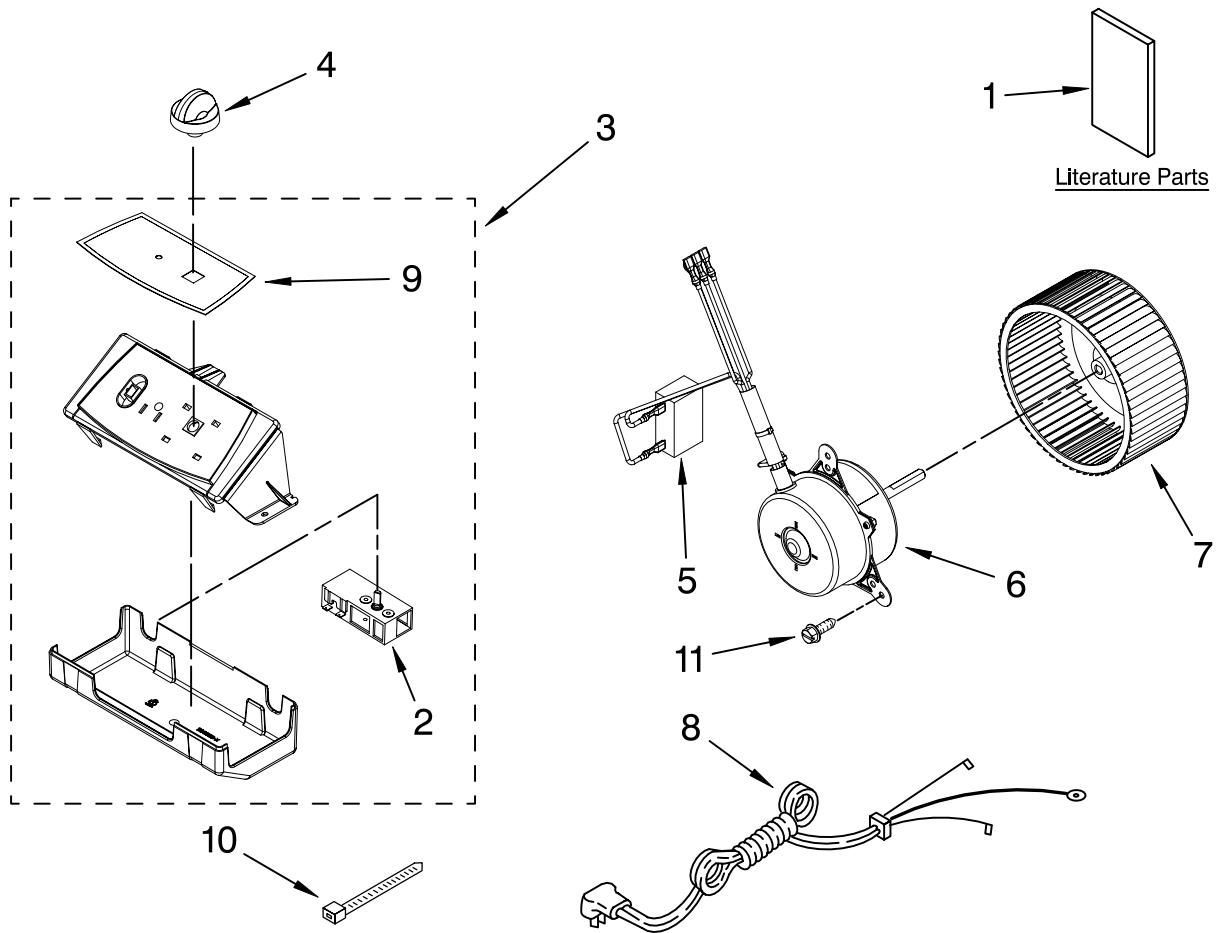




AIR FLOW AND CONTROL PARTS

For Model: AD25DSS0

DEHUMIDIFIER

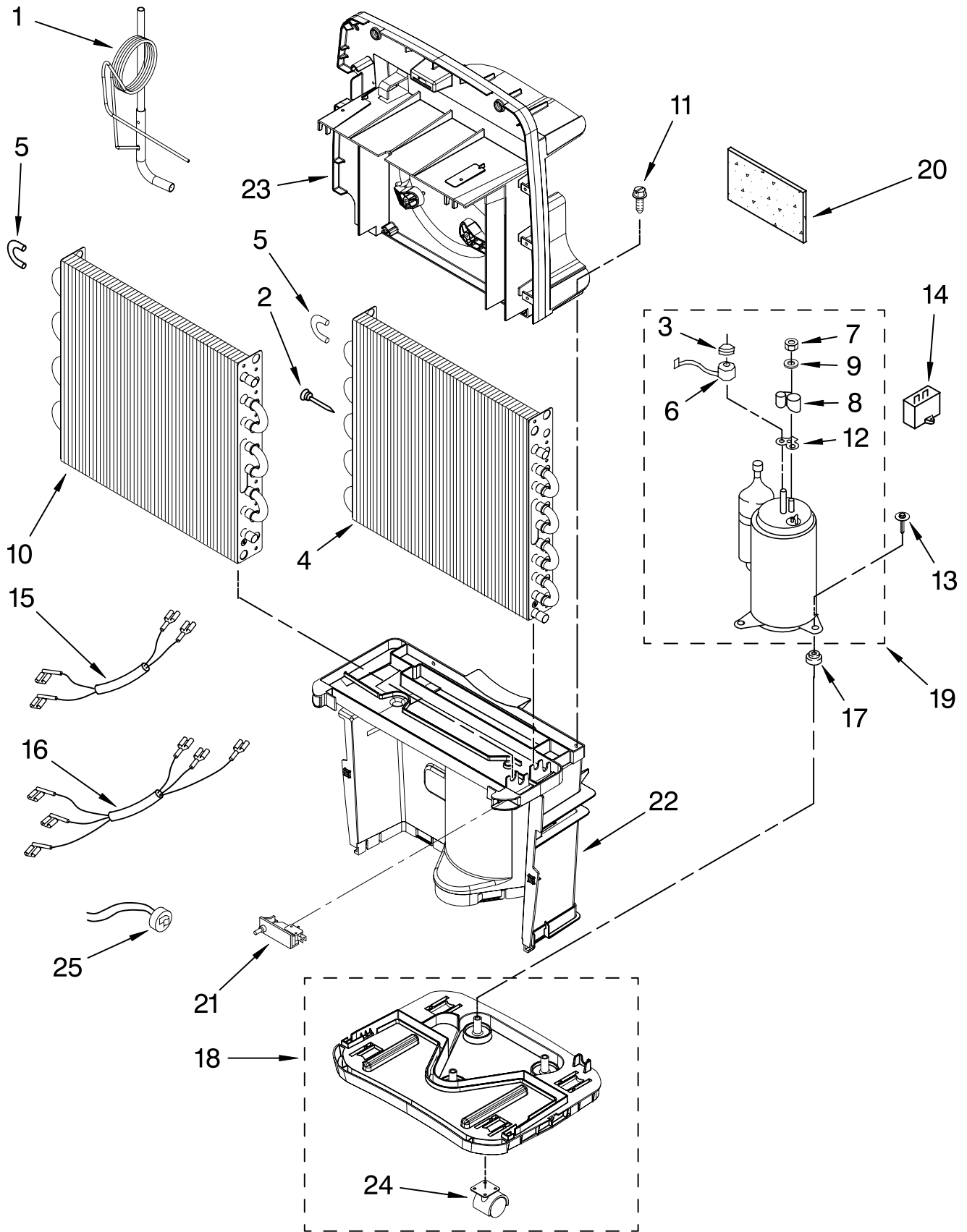


Illus. No.	Part No.	DESCRIPTION
1		Literature Parts
	1188828	Wiring Diagram
	1188826	Use & Care Guide
2	1168670	Humidistat, Control
3	1188454	Assembly, Control Panel
4	1187163	Knob
5	1188475	Capacitor, Fan
6	1188409	Motor, Fan
7	1188416	Wheel, Blower
8	1188470	Cord, Appliance
9	1188455	Overlay
10	857547	Tie, Cable
11	489470	Screw

FOR ORDERING INFORMATION REFER TO PARTS PRICE LIST

UNIT PARTS

For Model: AD25DSS0



FOR ORDERING INFORMATION REFER TO PARTS PRICE LIST

UNIT PARTS

For Model: AD25DSS0

Illus. No.	Part No.	DESCRIPTION
1	1188520	Tube, Restrictor
2	1162526	Strainer
3	1185795	Spring, Overload
4	1188480	Condenser
5	8031222	Bend, Return
6	1188185	Overload, Protector
7	1186030	Nut, Terminal Cover
8	1188822	Cover, Terminal
9	1185794	Washer, Nut
10	1188439	Evaporator
11	9740848	Screw
12	1185793	Gasket, Terminal Cover
13	W10001320	Screw, Compressor
14	1188477	Capacitor
15	1188467	Wire Harness, Compressor (2 Wire)
16	1188468	Wire Harness, Compressor (3 Wire)
17	1188564	Grommet, Compressor
18	1188558	Base
19	1188554	Compressor, (Complete Assembly)
20	1182480	Putty, Sound Damping
21	1188814	Switch, Bucket Fill/Check
22	1188559	Support, Lower
23	1188561	Support, Upper
24	1188415	Caster
25	1188823	Bi-Metal, Defrost

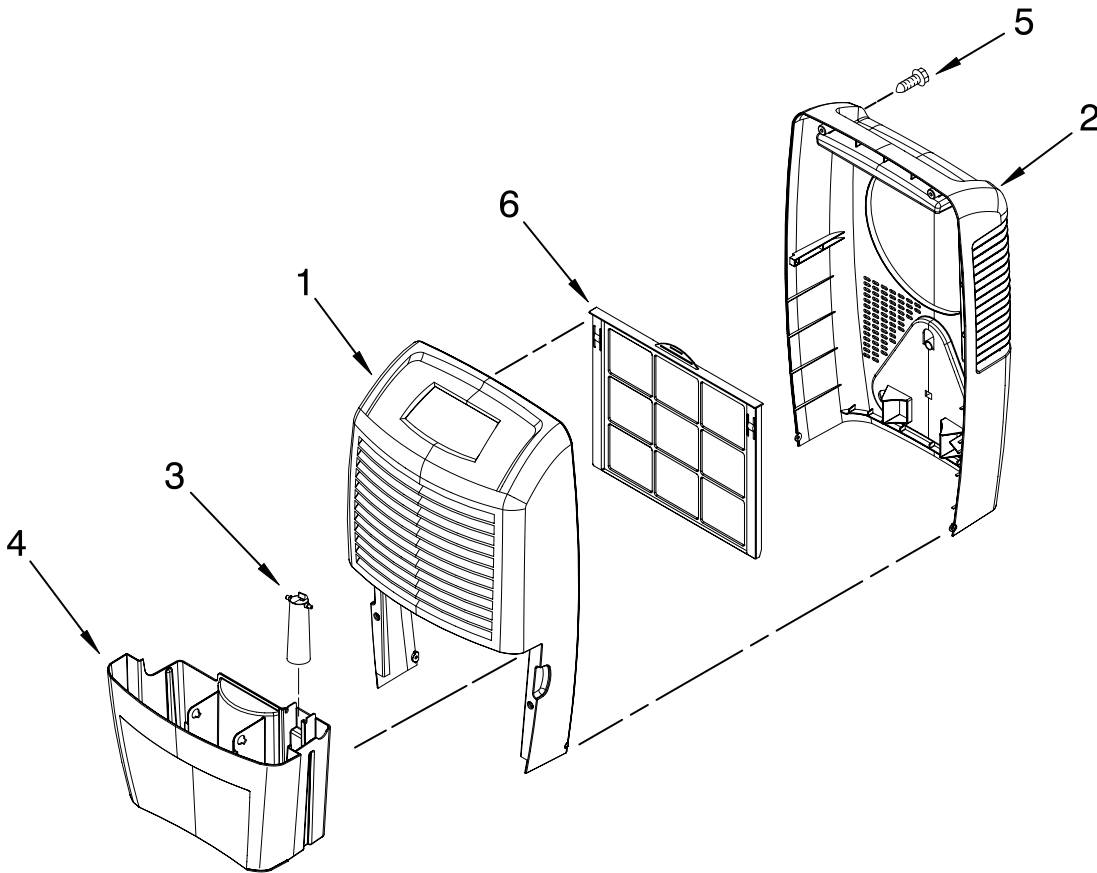
REFRIGERANT CHARGE

4.90 oz.
R-22

FOR ORDERING INFORMATION REFER TO PARTS PRICE LIST

CABINET PARTS

For Model: AD25DSS0



Illus. No.	Part No.	DESCRIPTION
1	1188395	Cabinet, Front
2	1188396	Cabinet, Rear
3	1188341	Float
4	1188527	Bucket Assembly (Includes Item 6)
5	9742177	Screw
6	1188402	Filter

**Following Parts Not Illustrated
and Optional Parts Not Included**

- 484310 Epoxy, Tube
(Aluminum Repair)
- 505168 Tape, No Drip
Valve, Access
- 978025 1/4" Tube O.D.
- 978026 5/16" Tube O.D.
- 978027 3/8" Tube O.D.
- 978028 1/2" Tube O.D.
- 978029 5/8" Tube O.D.
- 978030 3/4" Tube O.D.
- 978865Bulk Seal, Ring
Access Valve
(20 Pack)

FOR ORDERING INFORMATION REFER TO PARTS PRICE LIST

Free Manuals Download Website

<http://myh66.com>

<http://usermanuals.us>

<http://www.somanuals.com>

<http://www.4manuals.cc>

<http://www.manual-lib.com>

<http://www.404manual.com>

<http://www.luxmanual.com>

<http://aubethermostatmanual.com>

Golf course search by state

<http://golfingnear.com>

Email search by domain

<http://emailbydomain.com>

Auto manuals search

<http://auto.somanuals.com>

TV manuals search

<http://tv.somanuals.com>