



Service Manual

Dishwasher

ADP 566 WTX

Model ADP 566 WTX

Version 8542 566 01210

Technical data	4812 718 50043
Spare parts list	4812 718 81116
Exploded view	4812 718 60475
Exploded view	4812 718 60479
Exploded view	4812 718 60396
Text/Legend	4812 718 70153
Wiring diagram	4812 718 70016
Circuit diagram	4812 718 70017
Program diagram	4812 718 70166

"PROGRAM 94"

Free-standing models Range B and C

1. Dimension

Height	85	cm
Width	59,4	cm
Depth	60	cm
Weight	53	kg
Wrapping	Shrink film	

2. Specification / PI-Expression

Water consumption	19,0	l
Energy consumption	1,5	kW/h
Program step	app. 78	min
Noise level :		
Range B	52	dB (A)
Range C	kl. 52	dB (A)
Detergent	25-75	ml
Separate contained	chamber	l = 1/3
Salt consumption by	21° dh	II = 2/3
Hot water connection	see type *	max. 30
Capacity	60	gram
	12	°C
		standard place settings

3. Volume

Water		
Basic level	1,5	l
Working level	2,4	l
Dynamic level	app. 4,6	l
Safety level	9,0	l
Overflow-level	12,5	l
Detergent	max. 75	gram
Clear rinse	130	cm ³
6 Dossier steps	1-6	cm ³
Salt container	2	kg

4. Flow Rates / Inlet Volumes

Spray pump	70	l / min
Drain pump	16,5	l / min
Water inlet	electrovalve	5,5
		l

5. Water Pressure

Inlet pressure	0,3-10	bar
Spray pump pressure	0,37	bar

6. Rotations

Spray pump motor	2800	r / min
Drain pump motor	2800	r / min
Spray arm lower	57 ± 7	r / min
Spray arm upper	34 ± 6	r / min

7. Electrical Data

Base level

Voltage	220-230/50	V/V/Hz
Total power	app. 3	kW
Fuses	16	A
Hot water connection up to	60	°C

Timer

Model	Sibel EO P55
Basic step times	1", 15", 30", 120"
Range B and C	= EO 5055 D

Heating

1 Element system:	220 V	2800 W	app. 16,0 Ohm
	230 V	3060 W	app. 17,0 Ohm
2 Element system: (CH + DK)			
Element A	220 V	1850 W	app. 25,3 Ohm
Element B	220 V	950 W	app. 49,5 Ohm

Motor

Spray pump motor	220 V/130 W	HI=121 Ohm	HA=30 Ohm
Capacitor	3 µF		
Drain pump motor	220/240 V	30 W	170 Ohm
Timer motor	220/240 V		7880 ± 400 Ohm

Valve

Inlet valve			
Double valve	220/240 V	6 W	3620 Ohm
Regeneration valve	220/240 V	8 W	2300 Ohm

Relay

	220/240 V	50/60 Hz	5500 Ohm
--	-----------	----------	----------

Thermostats

	Indication colour		
Thermostat	without	40 °C	SP 40 ± 3 °C RSP 29 ± 5°C
Thermostat	red	55 °C	SP 55 ± 3 °C RSP 40 ± 5°C
Thermostat	white	65 °C	SP 68 ± 3 °C RSP 57 ± 5°C
Housing colour	red		
Reset safety thermostat	with manual reset		SP 180 ± 7 °C

8. Water Levels

Basic level	SP	90 ± 5	RSP 30 ± 5 mm ws
Working level	SP	110 ± 5	RSP 41 ± 5 mm ws
High pressure level	SP	2900 + 200	RSP 2400 ± 200 mm ws
Safety level	SP	135 ± 3	RSP 100 ± 5 mm ws

9. Water Measuring

Water level from fine sieve	
Basic level	78 mm
Working level	100 mm
Safety level	136 mm

10. Regenerating Steps and Volumes

Figure	Volumen	Steps	Water hardness
Figure 2	133 cm ³	67-69	10-21° dh = 1,8-3,8 mmol / l
Figure 3	180 cm ³	44	22-30° dh = 3,8-5,0 mmol / l
Figure 4	360 cm ³	24	31-40° dh = > 5,0 mmol / l

Model
Service No.
Version

ADP 566 WTX
854256601210
8542 566 01210

Pos. No.	12 NC Code	Description	from	to
001 1	4812 404 48578	Bracket foot		
004 0	4812 440 18934	Drip tray assy		
011 0	4812 505 18006	Foot short, adjustable		
030 0	4812 310 18279	Table top cpl. WH		
034 0	4812 404 78087	Pin		
034 1	4812 404 78088	Fastener		
053 0	4812 440 88023	Plinth sheet		
131 0	4819 401 18428	Hook lock		
191 0	4812 466 68408	Gasket door		
200 0	4812 418 18042	Container insulated		
200 1	4819 535 78066	Fastener Container		
261 0	4819 462 38271	Rail telescope, inner		
261 1	4819 404 48819	Cap f.rail		
261 2	4819 404 49951	Cap f.rail ahead		
263 0	4819 520 18013	Ball cage cpl.		
263 1	4812 520 48001	Ball Niro 8 D		
400 0	4812 361 58007	Motor with spray pump cpl.		
405 0	4812 360 18014	Pump spray		
405 1	4819 515 28158	Gasket		
405 2	4819 466 69401	Gasket		
420 0	4819 121 18102	Capacitor		
421 0	4819 121 18063	Interf.filter		
421 1	4812 121 18032	Interf.filter		
430 0	4812 360 18022	Pump,draining cpl.		
450 0	4812 259 28067	Heating element set		
450 1	4819 532 68332	Nut		
491 0	4819 401 18269	Terminal block 3 poles		
551 0	4819 282 48198	Thermostat 65 degree		
551 1	4819 282 48197	Thermostat 55 degree		
551 2	4819 282 48196	Thermostat 40 degree		
564 0	4819 282 48099	Thermostat safety		
575 0	4819 281 28184	Regen.valve		
581 0	4812 271 28033	Pressostat "B,C,D"		
583 0	4812 271 28034	Pressostat Safety		
583 1	4812 271 28035	Pressostat high pressure		
612 0	4812 280 58006	Relay heating		
616 0	4819 281 18006	Contact,reed salt		
623 0	4819 271 38108	Microswitch		
623 1	4819 404 49775	Holder f.microswitsch		
700 0	4812 530 28037	Hose, inlet aqua stop 2m		
700 0	4819 530 28746	Hose, inlet aqua stop 4,2m		
700 1	4812 480 48019	Sieve		
700 2	4812 520 58002	Gasket set		
701 1	4812 310 18153	Yoke clamp set		
701 2	4819 401 18423	Holder		
710 0	4812 418 68108	Monoblock		
710 1	4819 360 58381	Floater		
710 2	4819 310 38536	Nut threaded ring set		
710 3	4819 466 69562	Gasket set		
714 0	4819 462 78885	Threaded cap cpl. salt		
716 0	4812 418 68115	Reg.dosage set		
716 1	4819 466 69037	Ring,rubber		
716 2	4819 462 78504	Can plug		
726 2	4819 530 28538	Hose bow		
743 0	4812 511 48022	Condenser		

Model
Service No.
Version

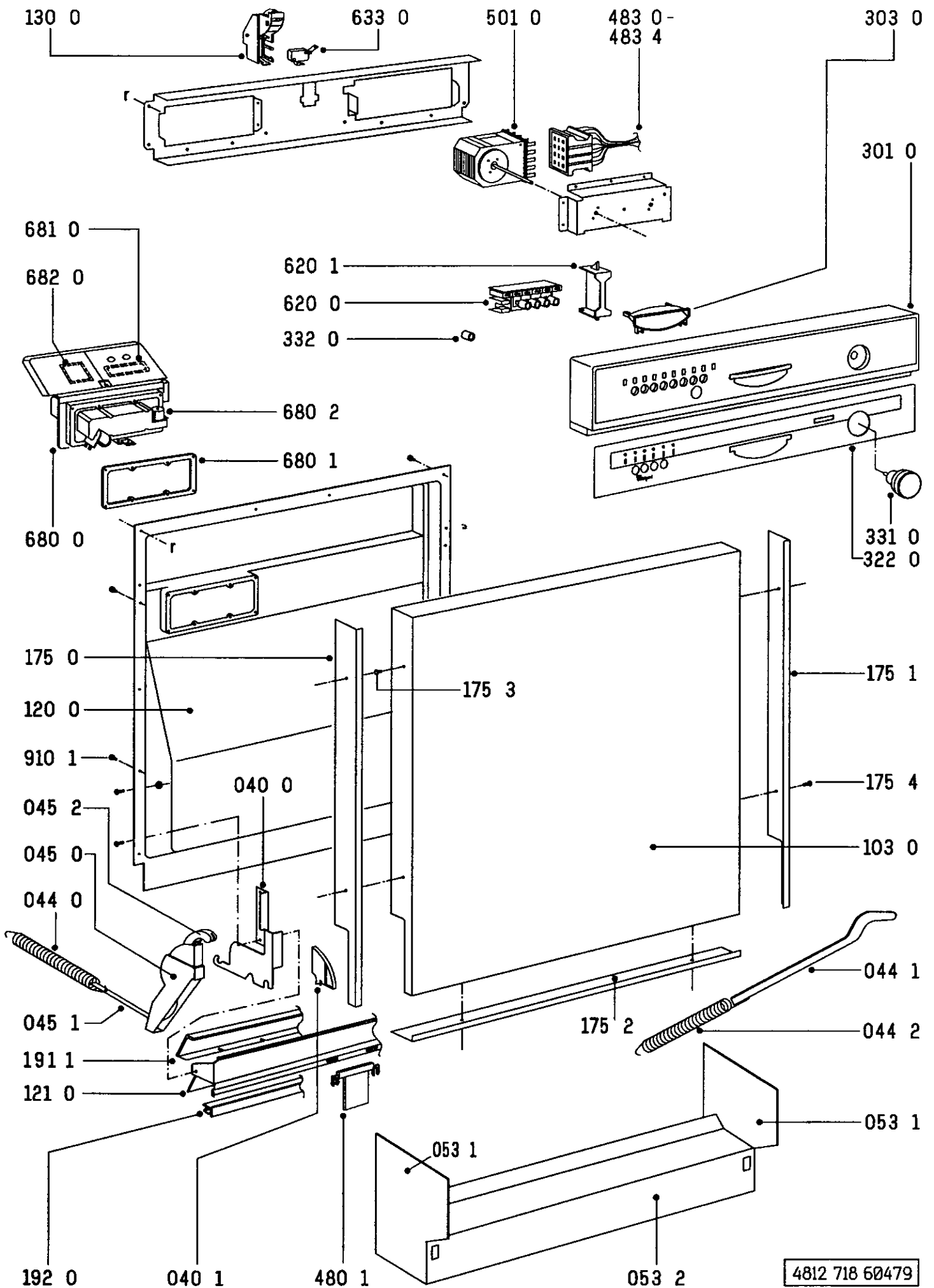
ADP 566 WTX
854256601210
8542 566 01210

Pos. No.	12 NC Code	Description	from	to
743 1	4812 530 28102	Hose inlet		
743 2	4812 401 18086	Clip		
743 3	4812 401 18087	Clamp		
743 4	4812 466 68165	Gasket f.air guidance		
751 0	4812 418 18043	Water collector		
751 1	4819 515 28157	Tube, stabilizer cpl.		
753 0	4812 530 28095	Suction pipe set		
753 1	4812 530 28099	Chamber, air		
755 0	4812 530 28094	Bend		
755 1	4819 404 49567	Holder thermostat		
756 0	4819 360 58411	Floater		
761 0	4812 480 58021	Sieve fine		
761 1	4819 532 68331	Gasket		
762 0	4819 480 58084	Microfilter		
763 0	4812 480 58022	Sieve coarse		
781 0	4819 530 28534	Hose, draining		
781 1	4819 530 28286	Sleeve hose		
781 2	4819 492 68405	Clip f. non-return valve		
781 3	4812 360 58005	Flap f. non-return valve		
783 0	4812 530 28097	Hose		
783 1	4812 530 28738	Hose		
783 2	4812 530 28093	Hose		
783 3	4812 530 28018	Hose		
783 4	4812 530 28098	Hose 10x3		
794 1	4819 530 58032	Gasket 20x2,5		
901 0	4812 401 18075	Strap 20-32/9		
901 1	4812 401 18083	Strap 12-20/9		
901 2	4812 401 18076	Strap 32-50/9		
901 3	4819 401 18368	Strap 130-150		
901 4	4812 401 18031	Strap 82mm		
901 5	4812 401 18084	Strap 42mm		
901 6	4812 401 18085	Strap 69mm		
901 7	4812 401 18024	Strap YDNAC 10081		
902 2	4812 290 48007	Strain relief		
903 0	4819 466 68905	Arret door		
910 0	4812 502 18018	Screw BN 36971.31		
964 0	4812 460 58096	Tape, sealing		
993 0	4819 530 28279	Bow		
993 3	4812 466 98034	Foil water guide/p.b.switch n.sh		
993 4	4812 466 98033	Foil water guide/regen.dos. n.sh		

Model
Service No.
Version

ADP 566 WTX
854256601210
8542 566 01210

Pos. No.	12 NC Code	Description	from	to
040 0	4812 417 18309	Hinge set		
040 1	4812 417 18311	Cover, hinge set		
044 0	4812 492 38011	Spring f. door left		
044 1	4812 492 38012	Extension f. spring		
044 2	4812 492 38013	Spring f. door right		
045 0	4812 404 48114	Brake f. door		
045 1	4812 401 18079	Band, brake		
045 2	4812 401 18081	Hoop connection		
053 1	4812 440 18597	Pedestal cover ri+le WH		
053 2	4812 440 18584	Plinth middle part WH		
103 0	4812 440 18172	Door outer WH		
120 0	4812 440 18474	Door, inner		
121 0	4812 404 48577	Batten cpl.		
130 0	4812 417 58019	Tilt lock		
175 0	4812 310 18032	Trim, ornamental left WH		
175 1	4812 310 18033	Trim, ornamental right WH		
175 2	4812 310 18034	Trim, ornamental lower WH		
175 3	4819 535 18009	Clip, fix decor		
175 4	4819 502 38104	Screw DIN 7982 WH		
191 1	4812 466 68164	Gasket, door inner		
192 0	4812 466 68163	Gasket, door lower		
301 0	4812 453 78377	Control panel WH		
303 0	4812 460 58019	Grip WH		
322 0	4812 453 78995	Insert panel WH		
331 0	4812 413 58055	Knob program cpl. WH		
332 0	4812 410 28017	Push button cap WH		
480 0	4812 321 28017	Cable harness wiring "C" n.sh.		
480 1	4819 466 98512	Cover of cable		
480 2	4819 310 38589	Cable kit repair n.sh.		
483 0	4812 264 38002	Cable set p.b.switch 2poles		
483 1	4812 264 48003	Cable set p.b.switch 3poles		
483 2	4812 264 48004	Cable set p.b.switch 4poles		
483 3	4812 263 78004	Cable set heating relay 2poles		
483 4	4812 267 48001	Cable set timer 6poles		
501 0	4812 282 18227	Timer "B,C" EO5055D		
620 0	4812 276 28017	Switch, pushbut.		
620 1	4819 404 49566	Fastener f. switch		
633 0	4812 271 38013	Microswitch door		
680 0	4812 418 68036	Combidosage		
680 1	4819 466 69393	Gasket set		
680 2	4819 281 68021	Coil set		
681 0	4819 466 69564	Gasket cover set		
682 0	4819 466 69563	Gasket cover set		
910 1	4819 502 38224	Screw B 3,5x 9,5		

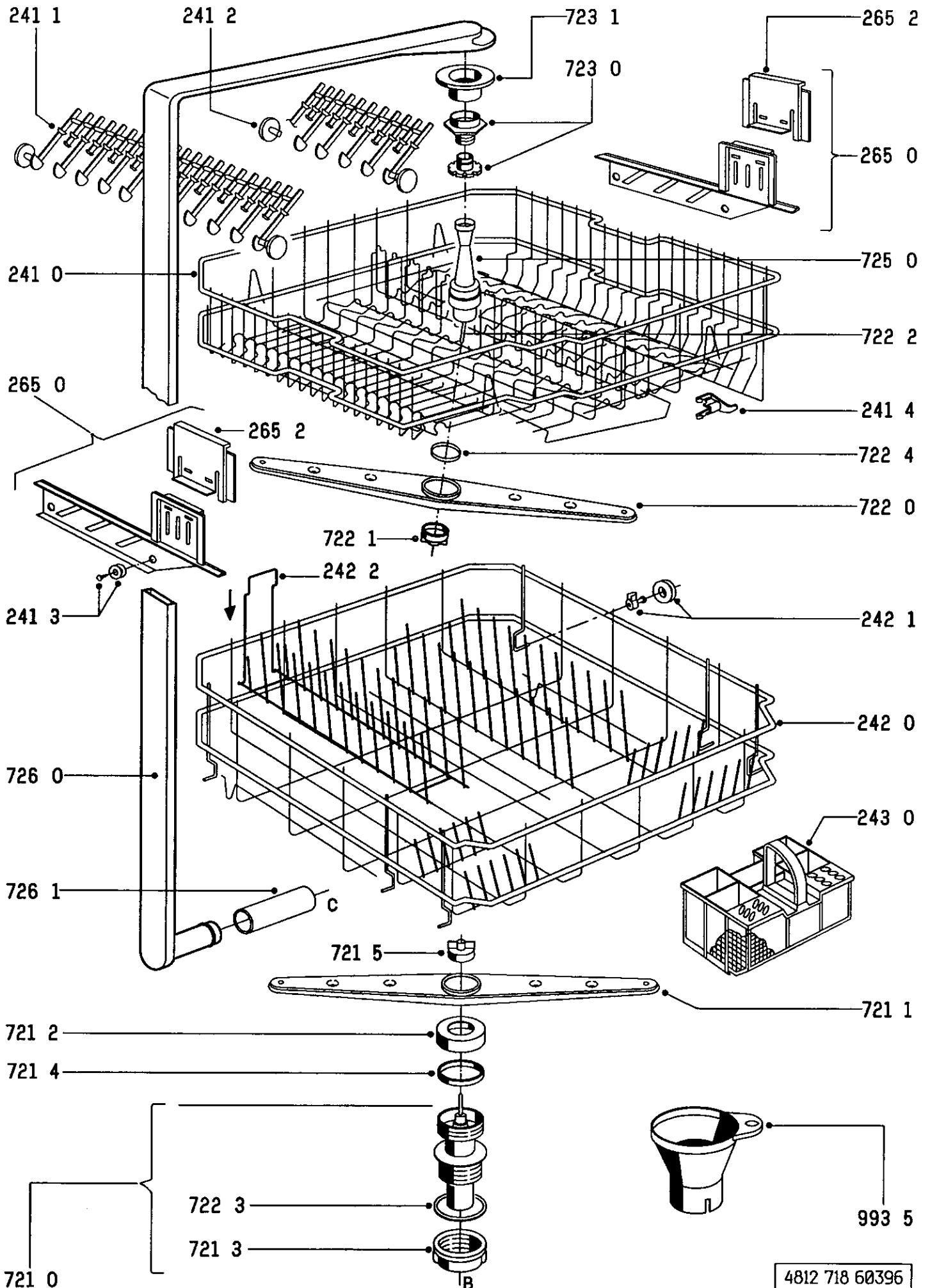


4812 718 60479

Model
Service No.
Version

ADP 566 WTX
854256601210
8542 566 01210

Pos. No.	12 NC Code	Description	from	to
241 0	4819 458 19669	Basket upper inclined cpl.		
241 1	4819 458 19673	Holder f.cups		
241 2	4812 404 48043	Fastener f.cupholder		
241 3	4812 528 88068	Wheel,basket upper service set		
241 4	4812 462 78203	Spacer		
242 0	4812 458 18242	Basket lower cpl.		
242 1	4819 528 88066	Wheel,basket lower		
242 2	4812 458 18239	Holder plate		
243 0	4812 458 18165	Basket cutlery		
265 0	4812 404 48525	Basket adjustm. cpl.		
265 2	4812 404 48018	Grip f.basket adjustmet		
721 0	4812 360 68039	Hub lower cpl.		
721 1	4812 360 68007	Arm,spray lower		
721 2	4819 505 18189	Nut,coupling		
721 3	4819 505 18187	Nut,coupling		
721 4	4819 466 69398	Gasket lower		
721 5	4812 502 18021	Nut rotor lower		
722 0	4819 360 69214	Arm,spray upper		
722 1	4822 505 10538	Nut		
722 2	4819 535 78121	Bearing rotor hub		
722 3	4819 466 69396	Gasket		
722 4	4819 466 69399	Gasket upper		
723 0	4812 360 68038	Set of nozzles		
723 1	4819 466 68908	Nipple gasket		
725 0	4819 532 88036	Funnel		
726 0	4812 530 28746	Tube		
726 1	4819 530 28539	Hose connecting		
993 5	4822 532 80216	Funnel salt		

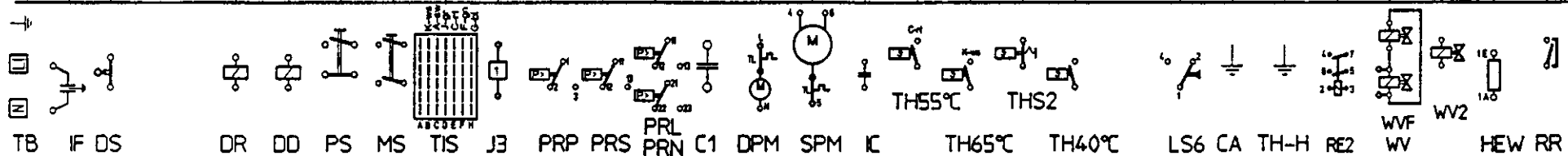
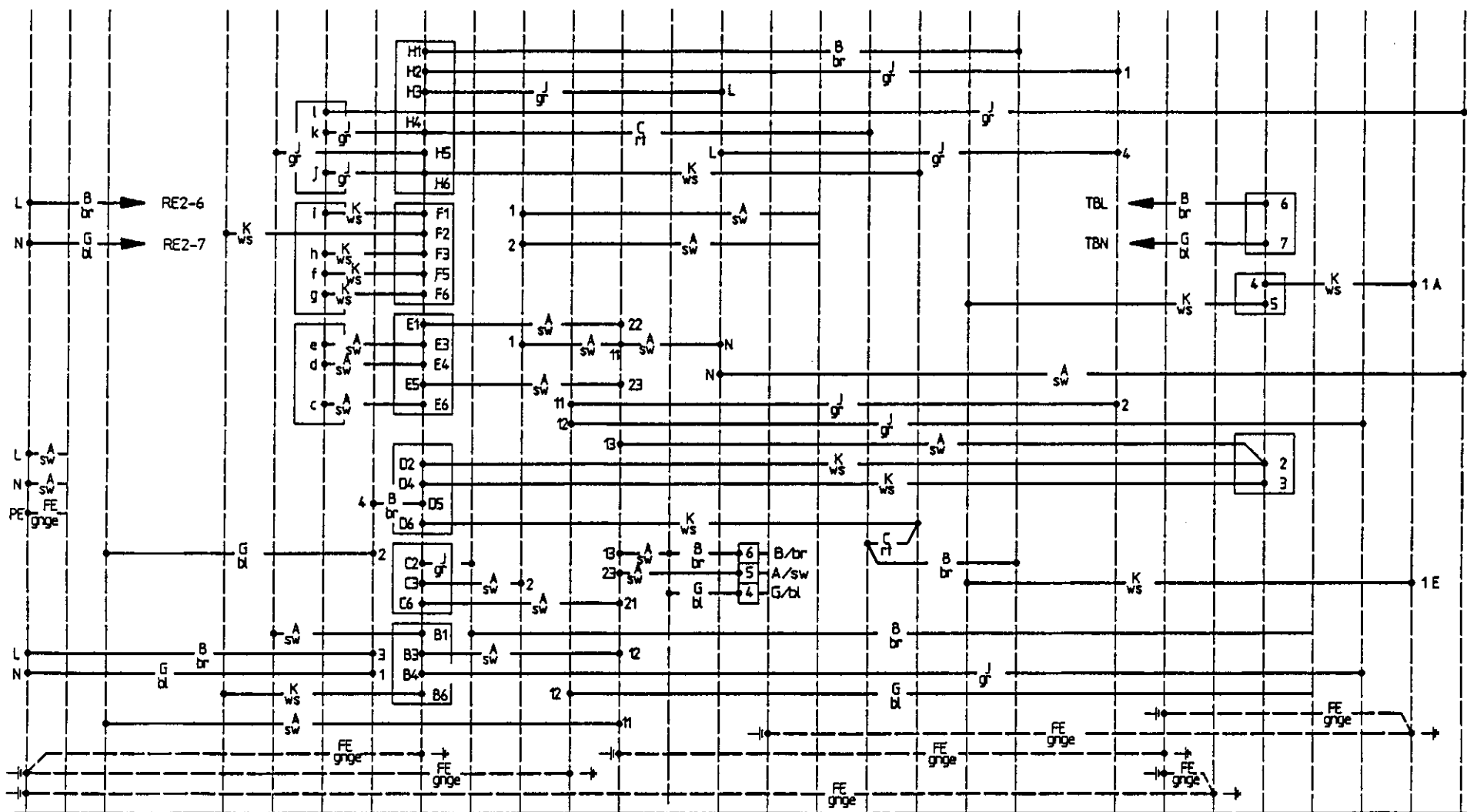


4812 718 60396

Code	Kurzzeichenerklärung	Explanation of abbreviations	EXPLICATION DES ABREVIATIONS	Code	Kurzzeichenerklärung	Explanation of abbreviations	EXPLICATION DES ABREVIATIONS
C	Kondensator	capacitor	CONDENSATEUR	VM	Gebläse für Trocknung	motor fan for ventilation-drying	VENTILATEUR DE SECHAGE
CA	Haupterdungspunkt	main earthing point	BORNE PRINCIPALE MISE A LA TERRE	WS+LS6	Schwimmerschalter	float switch	INTERRUPTEUR DE FLOTTEUR
CD	Anzeigemodul	control display	AFFICHAGE	WV	Zulaufventil	inlet valve	VANNE D'ENTREE D'EAU
DD	Dosierung Reiniger	cleaning agent dosage	DOSAGE LAVAGE	WV2	Regenerierventil	regenerating valve	VANNE DE REGENERATION
DPM	Laugenpumpe	drain pump	POMPE DE VIDANGE	WVS	Sicherheitsventil	safety valve	VANNE DE SECURITE
DR	Dosierung Klarspüler	final rinsing dosage	DOSAGE DE RINCAGE FINAL				
DS	Türschalter	door switch	INTERRUPTEUR DE PORTE				
EM	Elektromagnet überfahren	bypassing electromagnet	ELECTRO-AIMANT	Code	Zusätzlich für D-Familie	Additionally in range D	ADDITIF A LA FAMILIE D
GLP1	Betriebsleuchte	pilot lamp	LAMPE-TEMOIN	PS (1-7)	Taste Start/Überhub	push-button start/overstroke	TOUCHE DEMARRAGE
GLP2	Salzanzeigeleuchte	lamp of salt indication	LAMPE D'INDICATION DE SEL	PS (1)	Taste Vorspülen	push-button pre-rinsing	TOUCHE PRE-RINCAGE
HEW	Heizung	heating	ELEMENT CHAUFFANT	PS (2)	Taste Intensiv	push-button intensive	TOUCHE INTENSIVE
i3	Steckkupplung	plug connector	CONNECTEUR	PS (3)	Taste Normal-Programm 65° C	push-button normal progr. 65° C	TOUCHE PROGRAMME NORMAL 65° C
IC	Entstörkondensator	interference capacitor	CONDENSATEUR D'ANTIPARASITAGE	PS (4)	Taste Normal-Programm 55° C	push-button normal progr. 55° C	TOUCHE PROGRAMME NORMAL 55° C
IF	Funkentstörfilter	filter of interference suppression	FILTRE D'ANTIPARASITAGE	PS (5)	Taste Sparprogramm	push-button economy program	TOUCHE PROGRAMME ECONOMIQUE
IFD	Entstörglied (RC)	interference unit	ELEMENT D'ANTIPARASITAGE	PS (6)	Taste Rapidprogramm	push-button rapid program	TOUCHE PROGRAMME RAPIDE
IS	Zusatzdrossel	additional choke coil	SELF (BOBINE)	PS (7)	Taste Fein/Glasprogramm	push-button fine/glass program	TOUCHE PROGRAMME VERRES
LS6	Schwimmerschalter	float switch	INTERRUPTEUR DE FLOTTEUR				
LU	Logikmodul	logic unit	MODULE LOGIQUE				
MS	Hauptschalter	main switch	INTERRUPTEUR PRINCIPAL				
NTC	Temperatursensor	temperature sensor	SONDE TEMPERATURE				
PL1	Betriebsleuchte	pilot lamp	LAMPE-TEMOIN	Code	Adernfarbe	Colour of wire	COULEUR DE FIL
PL15	Salzleuchte	pilot lamp for salt refill	VOYANT NIVEAU DE SEL	A	schwarz	black	NOIR
PL22	Klarspüleuchte	pilot lamp for rinse aid refill	VOYANT PRODUIT DE RINCAGE	B	braun	brown	BRUN
PP	Hauptschalter im Timer	main switch in timer	INTERRUPTEUR PROGRAMMATEUR	C	rot	red	ROUGE
PRL	Basis-Niveauschalter	base level switch	PRESSOSTAT DE BASE	D	orange	orange	ORANGE
PRN	Arbeits-Niveauschalter	working level switch	PRESSOSTAT DE TRAVAIL	E	gelb	yellow	JAUNE
PRP	Hochdruck-Niveauschalter	high pressure level switch	PRESSOSTAT HAUTE-PRESSION	F	grün	green	VERT
PRS	Sicherheits-Niveauschalter	safety level switch	PRESSOSTAT DE SECURITE	G	blau	blue	BLEU
PS	Programmtaste	program push-button	TOUCHE DE PROGRAMME	H	violett	violet	VIOLET
PS	Eingabemodul	program selector	SELECTEUR DU PROGRAMME	J	grau	grey	GRIS
PS2	Rapidtaste	rapid push-button	TOUCHE RAPIDE	K	weiß	white	BLANC
PS3	55 Grad Taste	push-button 55 degrees	TOUCHE 55 DEGRE	NA	rosa	pink	ROSE
PS4	Intensivtaste	push-button intensive	TOUCHE INTENSIVE	AA	transparent	transparent	TRANSPARENT
RE	Relais	relay	RELAIS	FE	grün-gelb	green-yellow	VERT-JAUNE
RE2	Heizungsrelais	heating relay	RELAIS DE CHAUFFAGE				
RR	Reedkontakt	reed contact	CONTACT REED				
TB	Verteilerleiste	distribution trim	BARRETTE DE CONNEXION				
TB1	Steckkupplung	plug coupler	CONNECTEUR				
TBL	Netzklemmleiste	power supply terminal	BORNIER SECTEUR				
TDS	Zeitschaltuhr	delay timer	MINUTERIE				
TH/H	Thermostat-Erdungspunkt	thermostat earthing point	BORNE DE TERRE THERMOSTAT				
TH40	Thermostat 40° C	thermostat 40° C	THERMOSTAT 40° C				
TH55	Thermostat 55° C	thermostat 55° C	THERMOSTAT 55° C				
TH65	Thermostat 65° C	thermostat 65° C	THERMOSTAT 65° C				
THS1	Sicherheitsthermostat	safety thermostat	THERMOSTAT DE SECURITE				
THS2	Sicherheitsthermostat	safety thermostat	THERMOSTAT DE SECURITE				
TIS	Timerkontakt	timer contact	CONTACT DE PROGRAMMATEUR				
TL	Wicklungsschutzkontakt	winding protective contact	CONTACT DE PROTECTION D'ENROULEMENT				
TM	Timer Motor	timer motor	MOTEUR DE PROGRAMMATEUR				
TR	Transformator	transformer	TRANSFORMATEUR				
VDR	Widerstand	resistor	RESISTANCE				

10.01.1994

4812 718 70153



STROMLAUFPLAN - CIRCUIT DIAGRAM - SCHEMA DE PRINCIPE - SLP
 ANSCHLUSSPLAN - WIRING DIAGRAM - SCHEMA DE CABLAGE - ASP
 SCHLIESS-SCHEMA - PROGRAM DIAGRAM - CHARTE PROGRAMME - SS
 KURZZEICHEN - ABBREVIATION MARK - ABBREVIATION - KZ

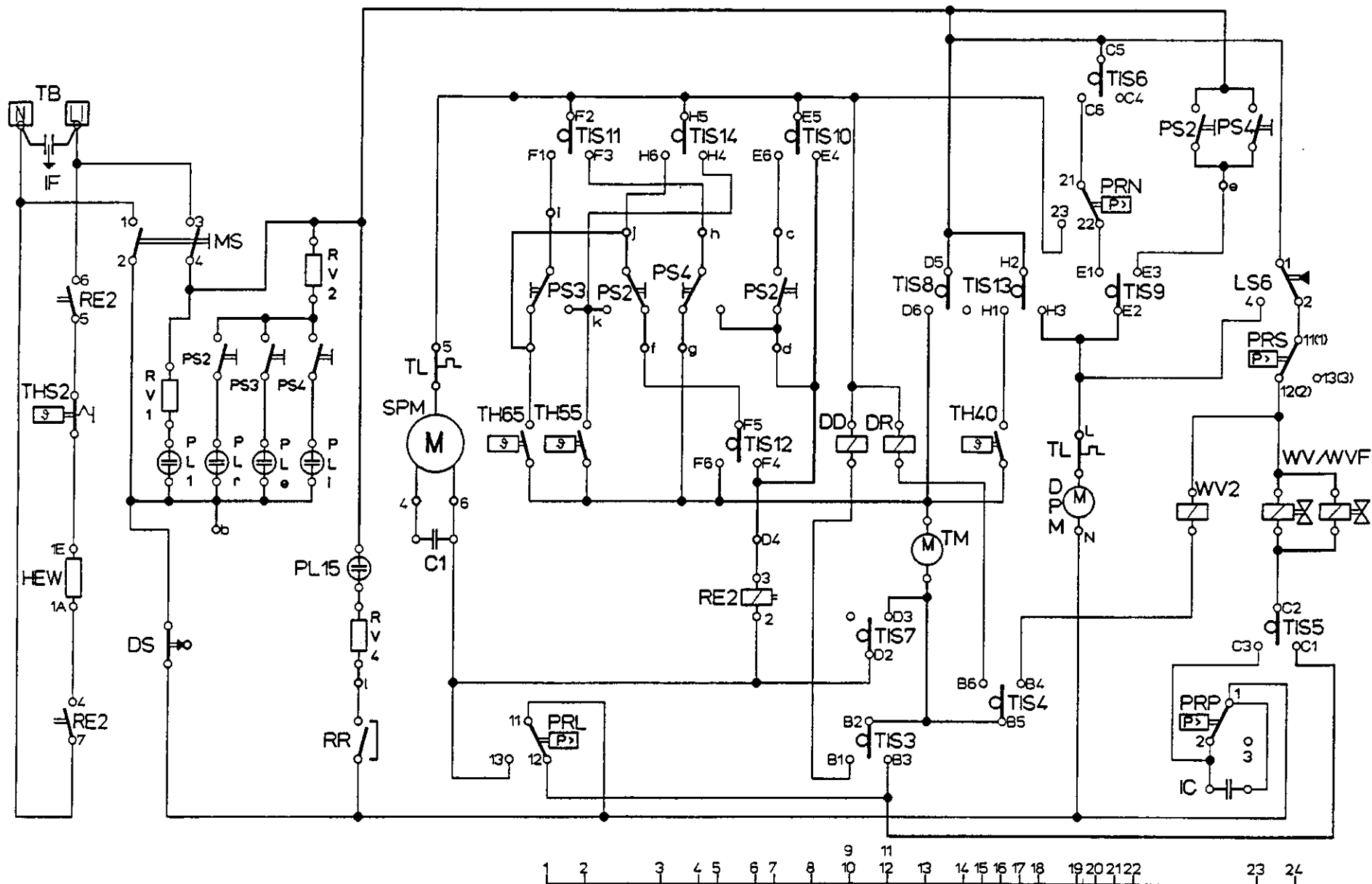
DW / GS / P28/2 "3000"
 -ASP- NO.: 08 4812 718 70016 (00)

PAGE 1 OF 1

TYPE:
C-Range 1N - 220-240V
WE

SERIES-TIMER
 EO 5055 B
 SERVICE-TIMER
 EO 5055 D

DATE
 16.10.91
 SACH-NR.
 849 574/03



STROMLAUFPLAN - CIRCUIT DIAGRAM
 ANSCHLUSSPLAN - WIRING DIAGRAM
 SCHLIESS-SCHEMA - PROGRAM DIAGRAM
 KURZZEICHEN - ABBREVIATION MARK

- SCHEMA DE PRINCIPE - SLP
 - SCHEMA DE CABLAGE - ASP
 - CHARTE PROGRAMMÉ - SS
 - ABBREVIATION - KZ

DW / GS / P28/2 "3000"
 -SLP- NO.: 08 4812 718 70017 (00)

PAGE 1
 OF 1

TYPE:
C-Range 1N - 220-240V
WE

SERIES-TIMER
 EO 5055 B
 SERVICE-TIMER
 EO 5055 D

DATE
 16.10.91
 SACH-NR.
 849 573/02

Free Manuals Download Website

<http://myh66.com>

<http://usermanuals.us>

<http://www.somanuals.com>

<http://www.4manuals.cc>

<http://www.manual-lib.com>

<http://www.404manual.com>

<http://www.luxmanual.com>

<http://aubethermostatmanual.com>

Golf course search by state

<http://golfingnear.com>

Email search by domain

<http://emailbydomain.com>

Auto manuals search

<http://auto.somanuals.com>

TV manuals search

<http://tv.somanuals.com>