

# Service Manual

Dishwasher  
integratable

6ADG 7554 WHM

<b>Model Version</b>		<b>Page</b>
6ADG 7554 WHM		
8542 554 53710		
	Technical data	2 - 3
	Spare part list	4 - 5
	Exploded view	6 - 7
	Circuit diagram	8
	Program diagram	9
	Text/Legend	10 - 16
	Family	MID 5

This documentation is only intended for qualified technicians who are aware of the respective safety regulations.

Date: 08.08.2002

Document-No.: 4812 718 18228

Subject to modification

**Technical data**

**Dimension**

Height	82.0 - 87.0cm
Width	59.7 cm
Depth	55.5 cm
Weight	52 kg

**Wooden door for Full Door appliances**

Thickness min.	16	mm
Thickness max.	20	mm
Width min.	592	mm
Width max.	595	mm
Height min.	620	mm
Height max.	718	mm
Weight min.	2.5	kg
Weight max.	6.5	kg
Max. stick out over lower edge of appliance door	92	mm
Height of plinth min.	93	mm

**Electronic boards**

Service boards	see spare part list
Serial boards	see on the boards itself
DUB	4619 720 80502
Programing of version and programmed control board, see „Service“ and „Data set“ on rating plate of inner door:	
CB programmed	464711
Data set	464701
Basic control board, not programmed see on the board itself	4619 724 17441

**Succession of programs**

Programs	see program diagram
Succession	A1a - A3a - A5b - A6a - A7a

**Alarms**

Refill rinse aid

**Options**

Zone washing

**Program information**

End - Acoustic signal

All programs will be locked after start. Changing the program or finishing the program will be possible only after pressing the start button for longer then 1.5 sec. (Break by customer)

A switching off the appliance or unplug the appliance for a while, this will frozen the program step and later on, the program continuos on the same position.

Exception: Switching off the appliance or unplug the appliance during the drying phase, this will lead directly to the end of the program.

**Water Volume at alternating spray system**

Volume at alternating spray system (same level when selected zone washing as in the normal programs)

Water	Volume	Level
Regeneration	0.3 l	15 mm
Back rinse 3x	1.0 l	60 mm
Prewash	3.9 l	120 mm
Main wash	3.2 l	118 mm
Intermediate rinse 1	3.2 l	118 mm
Intermediate rinse 2	3.2 l	118 mm
Clear rinse	3.2 l	118 mm
Safety/ overflow	8.5 l	141 mm

**Measuring the level**

Remove the coarse sieve, put in a measuring meter into the sump, measure the hight of the water level.

**Detergent max.**

Pre-wash	10	cm <sup>3</sup>
Main-wash	40	cm <sup>3</sup>
Rinse aid	135	cm <sup>3</sup>
6 Dosage steps	1 - 6	ml

**Water pressure**

Inlet pressure	0.3 - 10	bar
Spray pump pressure	0.3	bar

**Rotations**

Spray pump motor	2800	RPM
Drain pump motor	3000	RPM
Spray arm lower	30 - 40	RPM
Spray arm upper	30 - 40	RPM

## Technical data

### Spray arms, turning rhythm at alternating spray system

Turning starts every time with the upper spray arm

Pre wash Lower arm ~3min, Upper arm ~1min

Main wash Lower arm ~3min, Upper arm ~5min

Intermediate rinse

Lower arm ~2min, Upper arm ~2min

Final rinse Lower arm ~2min, Upper arm ~2min

Service Test program

Lower arm ~30sec, Upper arm ~30sec

Remark: When switching of the main switch or interrupt the mains during the Test Program runs, then the alternating of the spray arms change in the test program to the rhythm of main wash 5/3 min.

Important: To leaf the Test program is possible by made a break by customer (pushing the start button for 1.5 sec.)

After finishing the test program (End LED shines and/or Start LED goes of) must the appliance be switched off.

If this will not be done, then the next normal wash will be made with the frequency of the Service Test Program ~30/30sec.

Resistance

146

Ω

### Flow rates/ Inlet volume

Flow meter (at 0.3 bar = quantity 1.1 l/min)	208	Imp/l
Spray pump	45 - 65	l/min
Drain pump	16	l/min
Pump height max.	1.1	m
Inlet valve	4	l/min
Spray arm lower	~ 33	l/min
Sprayarm upper	~ 27	l/min
Shower top	~ 8	l/min

### Electrical base data

Voltage	240	V
Frequency	50	Hz
Total power	2.4	kW
Fuse	10	A

### Motor

#### Spray pump motor alternating spray system

Voltage	220/ 240	V
Power consumption	125	W
HI	79	Ω
HA	60	Ω
Capacitor	4	μ F

#### Drain pump motor

Voltage	220/ 240	V
Power consumption	30	W

**Heating (1 Element system)**

Voltage	240	V
Power consumption	2.22	kW
Resistance	24.5	$\Omega$
Heating speed	~ 2.0	$^{\circ}\text{C}/\text{min}$
Temperature on surface	~ 115	$^{\circ}\text{C}$
Safety thermostat self reset		
(Temperature of water)	~ 85	$^{\circ}\text{C}$
Fuse	206	$^{\circ}\text{C}$

**Single electric inlet valve**

Voltage	220/ 240	V
Frequency	50/ 60	Hz
Resistance	3.76	$\text{k}\Omega$

**Valve for zone washing**

Voltage	220 - 240	V
Frequency	50/ 60	Hz
Resistance	4	$\text{k}\Omega$

**Coil of dispenser**

Voltage	220/ 240	V
Frequency	50/ 60	Hz
Resistance	1.3	$\text{k}\Omega$

**Reed contacts**

flow meter  
rinse aid control

**NTC**

20 $^{\circ}\text{C}$	58.1	$\text{k}\Omega$
25 $^{\circ}\text{C}$	47.1	$\text{k}\Omega$
30 $^{\circ}\text{C}$	38.2	$\text{k}\Omega$
40 $^{\circ}\text{C}$	25.4	$\text{k}\Omega$
50 $^{\circ}\text{C}$	17.2	$\text{k}\Omega$
60 $^{\circ}\text{C}$	11.8	$\text{k}\Omega$
70 $^{\circ}\text{C}$	8.3	$\text{k}\Omega$
80 $^{\circ}\text{C}$	6	$\text{k}\Omega$
85 $^{\circ}\text{C}$	4	$\text{k}\Omega$

**Accessory**

If you need spare parts apart from the spare part list have a look in the Service Bulletin 4812 718 40084.

**Spare part list**

**Model** 6ADG 7554 WHM  
**Service No.** 854255453710  
**Version** 854255453710

Pos. No.	12NC Code	Description
003 0	<b>4812 440 19594</b>	Traverse
004 0	<b>4812 440 18952</b>	Drip tray assy
004 1	<b>4812 401 18402</b>	Holder
011 0	<b>4812 505 18369</b>	Foot long
022 0	<b>4812 440 19398</b>	Side panel left
022 1	<b>4812 440 19397</b>	Side panel right
024 0	<b>4812 440 10417</b>	Panel, rear
040 1	<b>4812 417 18774</b>	Hinge left
040 2	<b>4812 417 18773</b>	Hinge right
044 0	<b>4812 492 38362</b>	Spring f.door
047 0	<b>4812 404 48746</b>	Brake f.door
047 1	<b>4812 401 18397</b>	Band,brake
047 2	<b>4812 404 68023</b>	Hook
053 0	<b>4812 440 88884</b>	Plinth
103 0	<b>4812 440 19478</b>	Door outer
105 0	<b>4812 404 48611</b>	Fastener door
105 2	<b>4812 505 68004</b>	Clip
105 3	<b>4812 404 48633</b>	Fastener
120 0	<b>4812 440 19456</b>	Door,inner
120 1	<b>4812 440 18969</b>	Batten
130 0	<b>4812 417 58361</b>	Tilt lock cpl. wh
131 0	<b>4812 401 18416</b>	Hook lock
175 3	<b>4812 466 68572</b>	Batten
191 0	<b>4812 466 68564</b>	Gasket door
192 0	<b>4812 466 68467</b>	Gasket, door lower
241 0	<b>4812 458 19027</b>	Basket upper straight
241 1	<b>4812 458 18324</b>	Holder cups right wh
241 3	<b>4812 528 88068</b>	Wheel,basket upper (set)
241 4	<b>4812 458 18984</b>	Holder dishes wh
241 5	<b>4812 535 78043</b>	Bearing
241 6	<b>4812 458 18979</b>	Holder glasses wh
241 7	<b>4812 404 48683</b>	Hoop
241 8	<b>4812 466 68553</b>	Spacer cap set
242 0	<b>4812 310 28136</b>	Basket lower KIT
242 1	<b>4812 528 88069</b>	Wheel,basket lower wh
242 4	<b>4812 466 48059</b>	Fixation wh
242 6	<b>4812 458 18977</b>	Support plate left
242 7	<b>4812 458 18978</b>	Support plate right
243 0	<b>4812 458 18272</b>	Basket cutlery
243 5	<b>4819 310 39859</b>	Cutlery basket KIT
243 6	<b>4812 458 18996</b>	Grille wh
261 0	<b>4819 462 38271</b>	Rail telescope, inner
261 1	<b>4812 462 79768</b>	Cap rail
261 2	<b>4812 462 78995</b>	Cap rail ahead
263 0	<b>4819 520 18013</b>	Ball cage cpl.
263 1	<b>4812 520 48001</b>	Ball Niro 8 D
265 0	<b>4812 404 48637</b>	Basket adjustm. cpl.
265 2	<b>4812 404 48638</b>	Grip basket adjustment
301 0	<b>4812 453 79762</b>	Control panel WH
322 0	<b>4812 453 71655</b>	Insert panel cpl.
332 5	<b>4812 410 28556</b>	Cap f.beater
400 0	<b>4812 361 58336</b>	Motor +SP,50Hz,alt.LP-PNT1
405 0	<b>4812 360 18509</b>	Spray pump wo.Mot.alt.LP-50Hz
405 1	<b>4819 515 28158</b>	Gasket
420 0	<b>4812 121 18132</b>	Capacitor

Pos. No.	12NC Code	Description
421 0	<b>4812 121 18158</b>	Interf.filter
430 0	<b>4812 360 18508</b>	Pump,draining cpl.
430 1	<b>4812 466 68689</b>	Gasket
450 0	<b>4812 259 28684</b>	Heating element
480 0	<b>4812 321 28407</b>	Cable harness set
480 1	<b>4812 321 28371</b>	Cable
480 3	<b>4812 401 18418</b>	Protector f.wiring
490 0	<b>4812 321 18051</b>	Cable,mains
490 1	<b>4812 321 28367</b>	Strain relief
521 0	<b>4812 214 78859</b>	Control board (CB)
583 0	<b>4812 271 28407</b>	Switch diaphragm
616 1	<b>4812 271 58161</b>	Contact,reed rinsing agent
620 0	<b>4812 218 38068</b>	User board (UB)
623 0	<b>4812 271 38356</b>	Microswitch
633 0	<b>4812 271 38355</b>	Microswitch door
680 0	<b>4812 418 68155</b>	Combidosage
680 1	<b>4812 466 68495</b>	Gasket
681 1	<b>4812 466 68497</b>	Gasket
681 2	<b>4812 440 18975</b>	Flap
682 0	<b>4812 466 68496</b>	Gasket
691 0	<b>4812 282 68012</b>	Feeler NTC
700 0	<b>4812 530 28804</b>	Hose, inlet aqua stop 4,2m
700 0	<b>4812 530 28848</b>	Hose, inlet aqua stop 2m
700 1	<b>4812 480 48095</b>	Sieve
700 2	<b>4812 466 68628</b>	Gasket
701 1	<b>4812 310 18153</b>	Yoke clamp set
710 2	<b>4819 310 38536</b>	Threaded ring
710 3	<b>4819 466 69562</b>	Gasket set
714 0	<b>4812 462 78012</b>	Threaded cap
716 0	<b>4812 418 68142</b>	Reg.dosage
716 1	<b>4812 466 68475</b>	Gasket
716 2	<b>4812 462 78994</b>	Cover
717 0	<b>4812 281 28418</b>	Valve motordiverter
717 2	<b>4812 528 98011</b>	Valve disk diverter
717 3	<b>4812 530 29121</b>	Gasket diverter valve
721 1	<b>4812 360 68347</b>	Spray arm lower. cpl.
722 0	<b>4812 360 68348</b>	Spray arm upper wh
722 2	<b>4812 360 68349</b>	Spray arm 2nd level cpl. wh
723 0	<b>4812 360 68351</b>	Douche ceiling
726 1	<b>4812 530 29118</b>	Tube assembly cpl.
726 2	<b>4812 505 18208</b>	Nut
743 0	<b>4812 511 48171</b>	Capacitor
743 1	<b>4812 530 28102</b>	Hose, inlet
743 3	<b>4812 505 18364</b>	Nut
743 4	<b>4812 530 28807</b>	Hose 9x1,5x270+10
743 7	<b>4812 466 68514</b>	Gasket
751 0	<b>4812 418 18338</b>	Water collector
755 0	<b>4812 530 29119</b>	Bend
755 2	<b>4812 530 48148</b>	Tray,leak
756 0	<b>4812 360 58099</b>	Floater
761 0	<b>4812 480 58122</b>	Sieve fine
761 2	<b>4812 418 18337</b>	Cover sieve
761 3	<b>4812 418 18341</b>	Cover
761 4	<b>4812 530 58141</b>	O-Ring
763 0	<b>4812 480 58123</b>	Sieve coarse

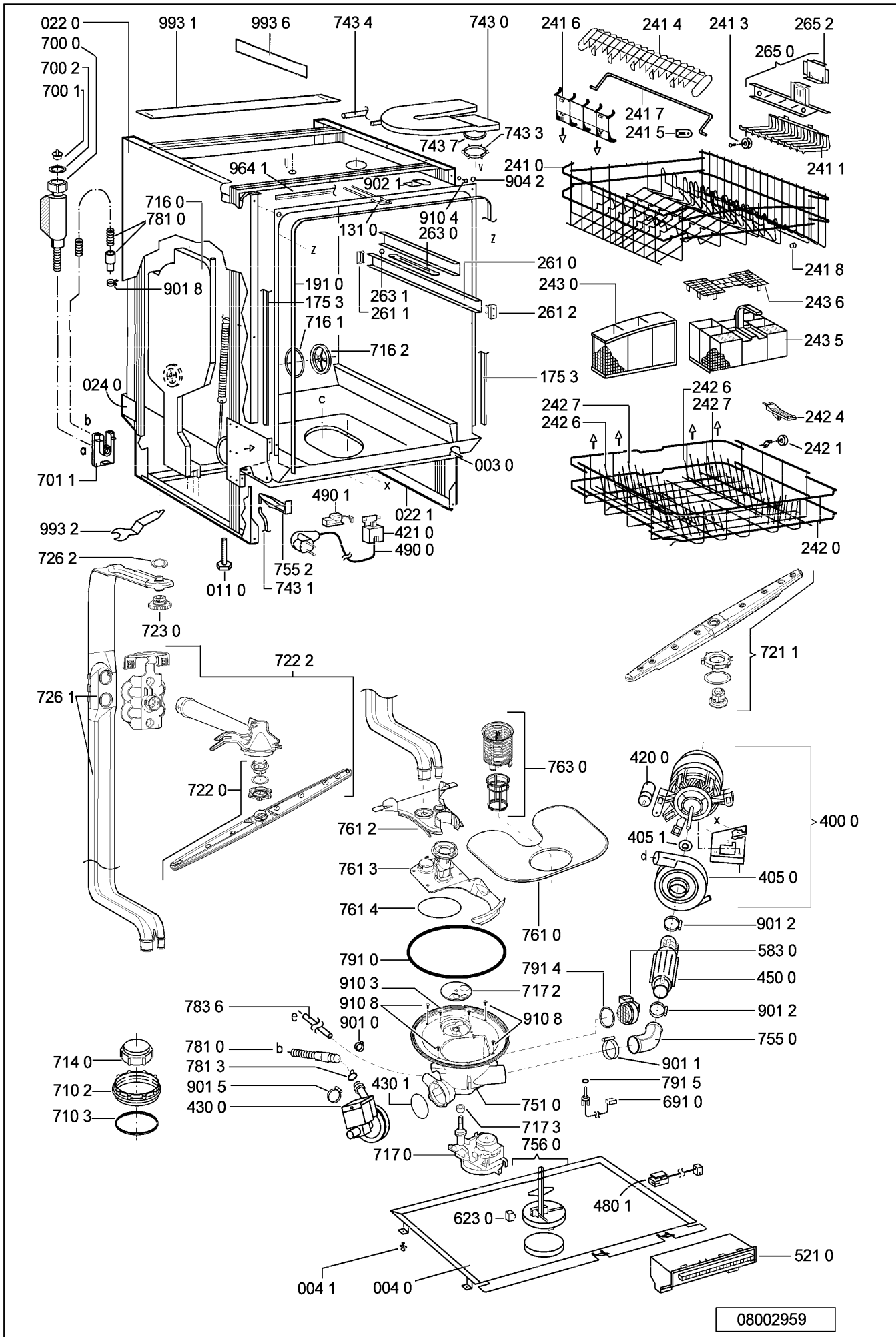
## Spare part list

**Model** 6ADG 7554 WHM  
**Service No.** 854255453710  
**Version** 854255453710

---

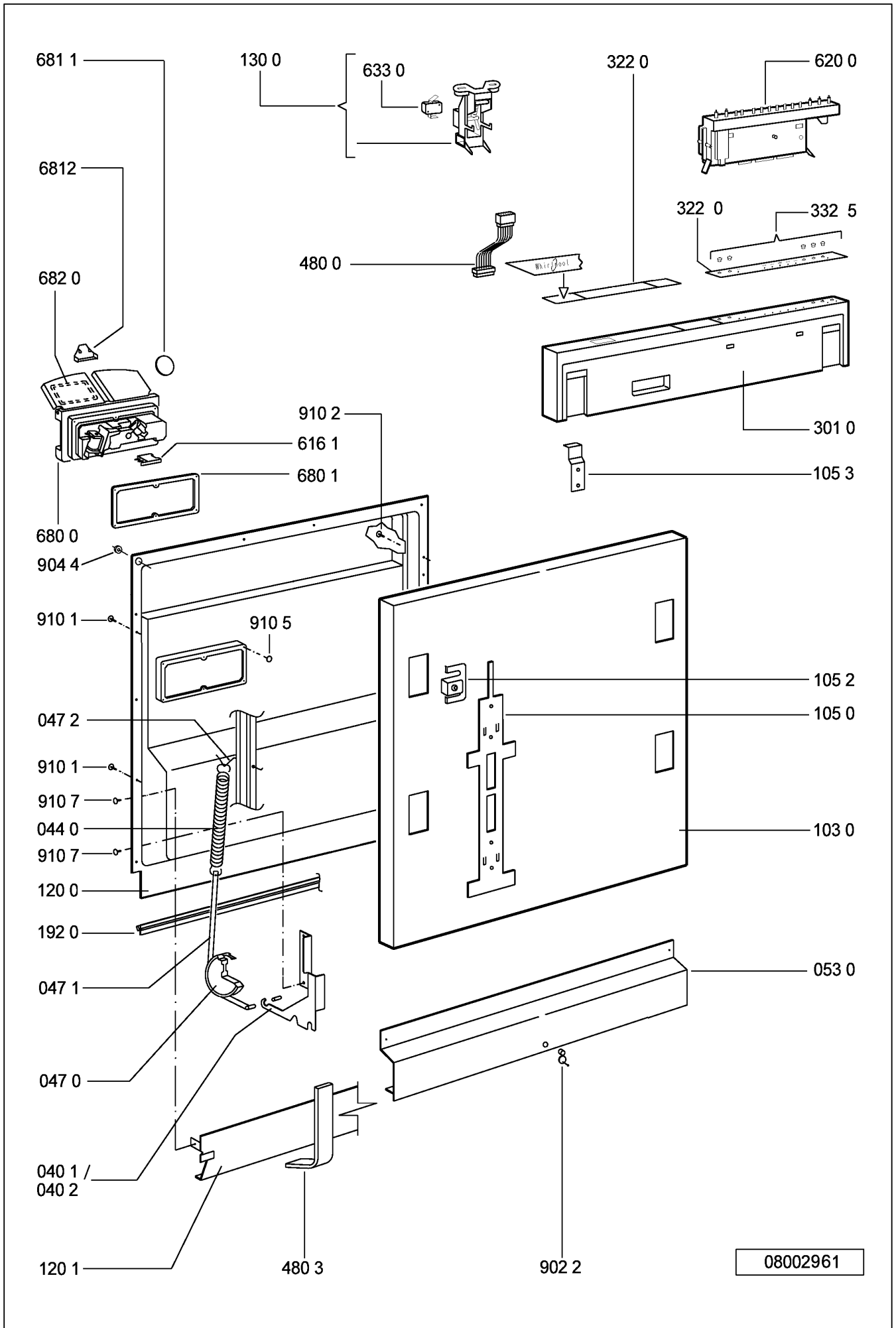
Pos. No.	12NC Code	Description
781 0	<b>4812 530 29113</b>	Hose,draining
781 3	<b>4812 281 28417</b>	Flap non-return
783 6	<b>4812 530 28824</b>	Hose 10,3X3X245
791 0	<b>4812 532 68099</b>	Gasket
791 4	<b>4812 466 68503</b>	Gasket
791 5	<b>4812 466 68504</b>	Gasket
901 0	<b>4822 401 10258</b>	Clamp,hose 10-18 mm
901 1	<b>4812 401 18424</b>	Strap 050,0
901 2	<b>4812 401 18157</b>	Strap 32-50/9 C61
901 5	<b>4812 401 48573</b>	Strap 028,6
901 8	<b>4812 401 18075</b>	Strap 20-32/9 mm
902 1	<b>4812 466 78015</b>	Fastener f.built-in models
902 2	<b>4812 404 78241</b>	Holder
904 2	<b>4812 462 79657</b>	Cover BK 3,5x5
904 4	<b>4812 462 79659</b>	Threaded cap
910 1	<b>4812 502 38152</b>	Screw 4,8x19
910 2	<b>4812 502 18363</b>	Screw 4,0x12-H
910 3	<b>4812 502 18389</b>	Screw 5x20 T20
910 4	<b>4812 502 18385</b>	Screw M3,5x8-T15M
910 5	<b>4812 502 18393</b>	Screw 3,5x9-1 Tx15
910 7	<b>4812 502 18397</b>	Screw INOX A2 M 5X12
910 8	<b>4812 502 18527</b>	Screw 4x15 T20
964 1	<b>4812 466 68573</b>	Gasket housing upper
993 1	<b>4812 466 78388</b>	Foil protection
993 2	<b>4812 404 48753</b>	Key foot
993 6	<b>4812 466 78386</b>	Foil protection add.
994 1	<b>4812 310 28022</b>	Fastener set n.sh.

### Exploded view



08002959

## Exploded view









## Text/Legend

### **Test procedure for SERVICE-TEST-PROGRAM Point full-door dishwashers**

If there is a failure on the appliance, the customer will note it by opening the door, the rapidly flashing start LED or digit and by an acoustic „beep“ in a 1 second rhythm.

1. Open the door. The stored failure will be indicated immediately.  
Only when no failure is indicated, then start the passive test program.
2. Check the component.  
Unplug the indicated component from the control board (CB) and check it by using an Ohmmeter.  
If the resistance is not correct, check the cables to the component and check the component itself.
3. At the end of the repair start the appliance and delete the failure. After this, start the test program again to see that the failure is solved.

More details: see following pages.

#### **Attention:**

**Danger** for short circuit.

Short circuits on components can damage the control board (CB).

If electronic boards are wet, do not switch the appliance on.

To check the appliance, plug in the appliance.

Failures, which occurred will be stored and indicated by flashing the start LED or digit, related to the failure table.

To erase the failures, you must push the start button longer than 1,5 seconds.

The failures

F1	NTC break
F2	water leakage
F9	continuous water inlet

are checked and indicated immediately after start of the program.

Therefore these failures have to be solved before starting the active test program.

When these failures are not solved, the active test program does not run.

The electrical components get their voltage via triac from the control board (CB). To test the voltage the voltmeter must be connected in parallel to the component (the component must be connected). If the component is disconnected, then the output voltage from the control board (CB) is reduced.

**After starting a program this program is locked. That means neither by unplugging/switching off the appliance nor by setting to another program, the first set program can be changed. Changing of the program is only possible by pushing the start button again for longer than 1,5 sec.**

**On appliances with separate On-Off button the last used program is stored. That means if the customer wants to use the same program again he/she has only to press the On-button and the Start-button.**

**Attention:** New service control boards start at first with the service test program. This test program is without back rinsing. **Dangerous for overfilling the appliance, in case the appliance is not empty.** By running the test program or another program a second time, the back rinsing will be carried out as usual.

4619 724 43881-1

## Text/Legend

### Handling of failures

F0 Sensor failure (only when a dirt sensor is installed )  
Will not be indicate to the customer. The programs will finish even if there is a failure. The Failure is indicated only in the active test program after 10 – 30 second's. The active test program will finish as well, even if there is a failure.

**If the failure in a sensor program appears, the machine will always choose the highest consumption (best cleaning result).**

- None or wrong output from the sensor
- Unlogical or unreal measurement results

Reason:

- Defective electronic of the sensor
- Optoelectronic parts in the sensor defect
- The sensor is very dirty
- Connection between sensor and control board (CB) interrupted

Attention: The failure code will not store.

F1. NTC break

Temperature out of the normal value (-3°C till +85°C)

- Temperature inside higher than +85°C
- NTC defective
- Dishwasher is frozen, less than -3°C

If the temperature is less than -3°C, fill the appliance with a cup of warm water to warm it up before you start it..

F2. Water Leakage

- Water is in the drip tray

Floater (LS6) switches off the WV1 and the electronic switches on the DPM until WI reports that it is empty.

F3. Heating System Defective

Indicated after app. 25 minutes (1. check after 5 min., after that follow 1 more check, before the failure is indicate)

- Heats too slowly (less than 1,5 °C in 10 min.)
- Heating (HEW) defective
- Relays (RE2) on control board (CB) is defective
- NTC - resistance fluctuation

F4. Draining Failure

Drain pump starts and after 4 min. the WI detects that it is "not empty"

- Drain pump (DPM) defective
- Siphon closed
- Control board (CB) defective
- OWI/WI defective.

## Text/Legend

- F6. Water Tap Closed  
Water valve (WV1) is switched on but flow meter (FM) sends no impulses (less than 10 imp. in 10 sec.) and the water indicator (WI) is off (empty)
- Water tap closed
  - Water inlet hose blocked
  - Water inlet valve (WV1) defective
  - Flow meter (FM) defective (leads to FM failure)
- F7. Flow Meter Failure  
Water inlet valve (WV1) is switched on and the water indicator (WI) is on (full).
- Flow meter (FM) sends too few impulses (less than 10 imp. in 10 sec.)
  - Water tap closed during water inlet
  - Water inlet hose blocked
  - Water inlet valve (WV1) defective
  - Flow meter (FM) defective
- F8. Water Level Failure.  
Failures are supervised over the whole program.  
*Mechanical water indicator WI:* Spray pump works, the WI switches more than 20 times in 2 minutes back.  
*Optical water indicator OWI:* Always after the OWI-Signal is missing, the electrical components are turned off for 5 sec. If after the 5 sec. the OWI-Signal is still not present then, it notes a Failure F8. If, however, after the 5 sec. the OWI-Signal is present, then the water-level is filled to 6 Ltr. and the electrical components are again turned on. After the OWI signal is missing for a second time note an F8 Failure.
- WI defect? Should switch on after approx. 1 Ltr
  - Sieve blocked
  - Water strongly foams
  - Pot has turned off and is filled with spray water
  - No stable spray pump (SPM) working
- F9. Continuous Water Inlet  
Water inlet valve (WV1) is switched off, water indicator (WI) on, flow meter (FM) sends impulses (more than 10 imp. in 10 sec.)
- Water inlet valve (WV1) mechanically not closed
  - Triac (CB) permanently switched on. (short circuit)
- Reaction: interval 30 sec. drain pump on / 20 sec. drain pump off in interval

**The following failures will only be indicated, when the relevant component is installed.**

## Text/Legend

- FA. OWI (Optical Water Indicator) – Failure  
If the electronics signals of the Flow meter for the 3,4 Ltr. of water has been received on permanent wash system and 2,5 Ltr on alternating wash system and the OWI signal “Water in the sump” is missing then take note.  
- Lens will be cleaned: Water inlet off for 10 Sec and SPM on for 10 Sec.  
- If after that there is still no signal “Water in sump”, then the appliance goes into failure mode FA.
- FB. MDV (Motor Diverter) – Failure  
Failure condition:  
Start water inlet. After 15 sec. switches the WI. After that, when not within 120 sec. comes a signal from the MDV to the control board, lower or upper spray arm is functioning, then the FB will indicate.  
Check:  
- Do the upper and lower spray arms alternate turns in approx. 30-40 sec.? If only one turns then there is a failure.  
- Is the diverter disc in the sump blocked? Yes, unblock it.  
- Does 230V come from the control board (ZW,DVH) to the MDV? No, change control board. How to check:  
Start test program. After the start of the regular water-inlet must come 230V within 30 sec. for approx. 20 sec. to the MDV.  
- Is the winding of the MDV or cable to the MDV interrupted? (ZW,DVH) resistance of the MDV should be approx. 6,3 K $\Omega$   
- Is the signal cable between the MDV and control board (SAB,DVL) carrying 5v?
- FC. ASA ( Automatic Salt Adaptation )/ Water hardness sensor Failure  
(only indicates in the active test program)  
Failure condition:  
Electronic on the water softener detects high electrical resistance in the resin.  
Check:  
Cables on the sensors of the water softener interrupted or weak contact? Cables from the control board (ASA) to WHS electronic on the water softener interrupted or weak contact?

For salt, rinse aid, zone wash valve, sieve valve failure see active test program.

**Text/Legend**

**Failure Code POINT Bauknecht with 1- and 3- digits 7 segment display and without 7-segment display**

Alarm / Failure	Failure Code, which is indicated for the customer on the start LED or by the 7 segment display	
	On 1 digit display and without 7-segment display	On 3 digit display
<b>F1 NTC-Failure</b>	START ☀ 1 x flash 1 Sec. Pause....	START ☀ 1 x flash 1 Sec. Pause.... F1
<b>F2 Water Leakage</b>	START WTC ○ ☀ WAL ☀ 2 x flashes 1 Sec.. Pause....	START WTC ○ ☀ WAL ☀ 2 x flashes 1 Sec. Pause.... F2
<b>F3 Heating System Defective</b>	START ☀ 3 x flashes 1 Sec. Pause....	START ☀ 3 x flashes 1 Sec. Pause.... F3
<b>F4 Draining Failure</b>	START ☀ 4 x flashes 1 Sec. Pause....	START ☀ 4 x flashes 1 Sec. Pause.... F4
<b>F6 Water Tap Closed</b>	WTC ☀ START WAL ○ ☀ 6 x flashes 1 Sec. Pause....	WTC ☀ START WAL ○ ☀ 6 x flashes 1 Sec. Pause....
<b>F7 Flow Meter-Failure</b>	START ☀ 7 x flashes 1 Sec. Pause....	START ☀ 7 x flashes 1 Sec. Pause.... F7
<b>F8 Water Level Failure</b>	START ☀ 8 x flashes 1 Sec. Pause....	START ☀ 8 x flashes 1 Sec. Pause.... F8
<b>F9 Continuous Water Inlet</b>	START ☀ 9 x flashes 1Sec. Pause....	START ☀ 9 x flashes 1 Sec. Pause.... F9
<b>F0 Sensor Failure (Display only in act. Testprogr.)</b>	START ☀ 10 x flashes 1 Sec. Pause....	START ☀ 10 x flashes 1 Sec. Pause.... F0
<b>FA OWI-Failure</b>	START ☀ 11 x flashes 1 Sec. Pause....	START ☀ 11 x flashes 1 Sec. Pause.... FA
<b>FB DV-Failure</b>	START ☀ 12 x flashes 1 Sec. Pause....	START ☀ 12 x flashes 1 Sec. Pause.... FB
<b>FC ASA-Failure (Display only in act. Testprogr.)</b>	START ☀ 13 x flashes 1 Sec. Pause....	START ☀ 13 x flashes 1 Sec. Pause.... FC

☀ = LED Flashing

- "Rotor blocked (F5)" isn't displayed on the POINT appliance
- "Sensor-Failure (F0)" Displayed only in the active testprogram → no cancelling program!
- **WTC**: Water tap closed, **WAL**: Water in drip tray

## Text/Legend

With the passive test program, you can check all LED's and buttons. If there is no failure the passive test program runs normally.

### Attention:

If you can't start the active test program (Start button doesn't flash), normally there is one of the following failures detected: F1, F2 or F9

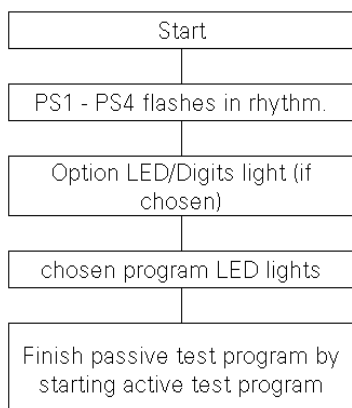
When these failures are not solved before, the passive and active test program will not run. After solving the failure you must "sign" (erase) the failure.

A present failure will be indicate directly after you switch on the appliance. Then fix the mistake, erase the failure and start test program again (see following start procedure).

### Start procedure

#### Start the passive test program if there is no failure indicated

If there is no failure the passive test program runs normal.



1. Select program position 1.
2. Turn OFF main switch.
3. Push start button and hold it.
4. Turn On main switch still holding the start button.
5. Finish pushing the start button when the start LED flashes.
6. Test all LEDs by operating the buttons and the program knob.  
After the check, turn the program knob to program position 1.
7. Start the active testprogram by pushing the start button again
8. Failure indication.
9. Repair the failure
10. Solve the failure by pushing the start button for longer than 1,5 sec.
11. Start the active testprogram again, to see, if the failure is really solved

#### Active test program starts (see next page)

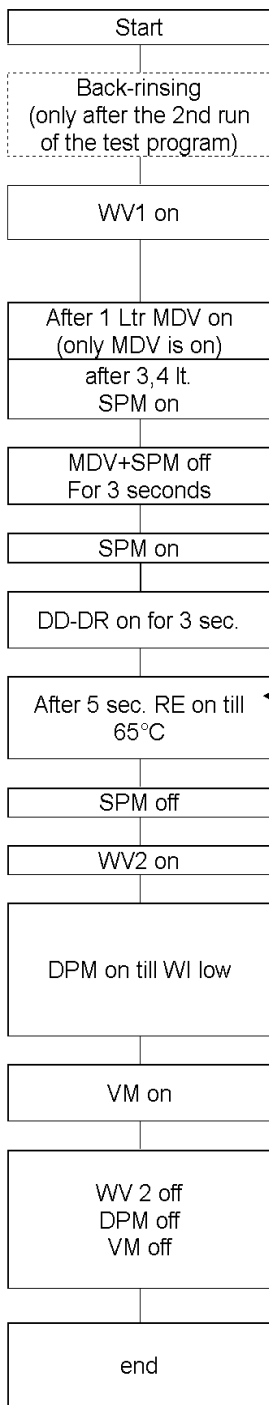
#### Program sequence LED

PS1	1. LED	prewash		
PS2	2. LED	mainwash	intermediate rinse	final rinse
PS3	3. LED	drying (regeneration)		
PS4	4. LED	end	goes off if any button is pushed	goes off after 30 min progr. is finished



### Text/Legend

#### Active test program



Only on this step can be jumped to the next step by short pushing the start button again. Before jumping to the next step, wait for 3 minutes, to be sure, there is no FB failure.

#### Remarks

The active test program runs to the failure position and stops or, if there is no failure, it runs to the end.

To leave the test program push the start button for longer than 1,5 second's.

Not enough salt or rinse aid will not stop the running of the appliance.

**Remark** When switching off the main switch or interrupting the mains, during the test program runs, then the alternating of the spray arms changes in the test program from 30/30 sec. to the rhythm of the main wash 5/3 min.

**Important** Leaving the test program is possible by making a break by the customer (Pushing the start button for more than 1,5 sec.).

After finishing the test program (End LED shines and/or Start LED goes off) then the appliance must be switched off.

If this is not done, then the next main wash will be made with the frequency of the Service Test Program ~30/30 sec. instead of 3/5 min.

When the failure position is reached the failure indication is indicated on the page "Failure Codes"

#### **Attention:**

If you can't start the active test program (Start button doesn't flash), normally there is one of the following failures detected: F1, F2 or F9

When these failures are not repaired before, the active test program will not run. After solving the failure you must "sign" (erase) the failure.

## Free Manuals Download Website

<http://myh66.com>

<http://usermanuals.us>

<http://www.somanuals.com>

<http://www.4manuals.cc>

<http://www.manual-lib.com>

<http://www.404manual.com>

<http://www.luxmanual.com>

<http://aubethermostatmanual.com>

Golf course search by state

<http://golfingnear.com>

Email search by domain

<http://emailbydomain.com>

Auto manuals search

<http://auto.somanuals.com>

TV manuals search

<http://tv.somanuals.com>