



# Use And Care

## GUIDE



<b>A Note to You</b> .....	2
<b>Dishwasher Safety</b> .....	3
<b>Parts and Features</b> .....	4
<b>Starting Your Dishwasher</b> .....	5
<b>Loading Your Dishwasher</b> .....	7
<b>Using the Dispensers</b> .....	12
<b>Setting the Controls</b> .....	14
Selecting a wash cycle .....	14
Using Cancel/Drain .....	15
Selecting cycle options .....	15
Changing a cycle or option setting .....	16
Adding an item during a cycle .....	16
Using the delay wash cycle .....	17
Understanding the status indicators .....	18
<b>Washing Special Items</b> .....	19
<b>Caring for Your Dishwasher</b> .....	20
<b>Saving Energy</b> .....	23
<b>Solving Common Dishwashing Problems</b> .....	24
<b>Troubleshooting</b> .....	27
<b>Requesting Assistance or Service</b> .....	29
<b>Index</b> .....	31
<b>Warranty</b> .....	34

**DISHWASHER MODEL SERIES 927, 930, 935**

3376837

Download from [www.Somanuals.com](http://www.Somanuals.com). All Manuals Search And Download.

597

# A Note to You

## Thank you for buying a WHIRLPOOL\* appliance.

Because your life is getting busier and more complicated, WHIRLPOOL dishwashers are easy to use, save time, and help you manage your home better. To ensure you enjoy years of trouble-free operation, we developed this Use and Care Guide. It contains valuable information about how to operate and maintain your appliance properly and safely. Please read it carefully.

Also, please complete and mail the Ownership Registration Card provided with your appliance. This card helps us notify you about any new information on your appliance.

## Please record your model's information.

Whenever you call to request service for your appliance, you need to know your complete model number and serial number. You can find this information on the model and serial number label (See the "Parts and Features" section).

Please also record the purchase date of your appliance and your dealer's name, address, and telephone number.

Model Number \_\_\_\_\_

Serial Number \_\_\_\_\_

Purchase Date \_\_\_\_\_

Dealer Name \_\_\_\_\_

Dealer Address \_\_\_\_\_

Dealer Phone \_\_\_\_\_

**Keep this book and the sales slip together in a safe place for future reference.**

## Help us help you

Please:

- Have your dishwasher installed by a qualified installer.
- Install where dishwasher is protected from the elements.
- Install and level dishwasher on a floor that will hold the weight, and in an area suitable for its size and use.
- Properly connect dishwasher to electricity, water, and drain.†
- Remove all shipping plugs from hoses and connectors (such as the cap on the drain outlet) before installing.†
- Remove all hang tags and temporary labels.
- Make sure dishwasher is not used by anyone unable to operate it properly.
- Properly maintain dishwasher. See the "Caring for Your Dishwasher" section.

† See Installation Instructions for complete information.

# Dishwasher Safety

## Your safety and the safety of others is very important.

We have provided many important safety messages in this manual and on your appliance. Always read and obey all safety messages.



This is the safety alert symbol.

This symbol alerts you to hazards that can kill or hurt you and others.

All safety messages will be preceded by the safety alert symbol and the word "DANGER" or "WARNING." These words mean:

**⚠ DANGER**

You will be killed or seriously injured if you don't follow instructions.

**⚠ WARNING**

You can be killed or seriously injured if you don't follow instructions.

All safety messages will identify the hazard, tell you how to reduce the chance of injury, and tell you what can happen if the instructions are not followed.

## IMPORTANT SAFETY INSTRUCTIONS

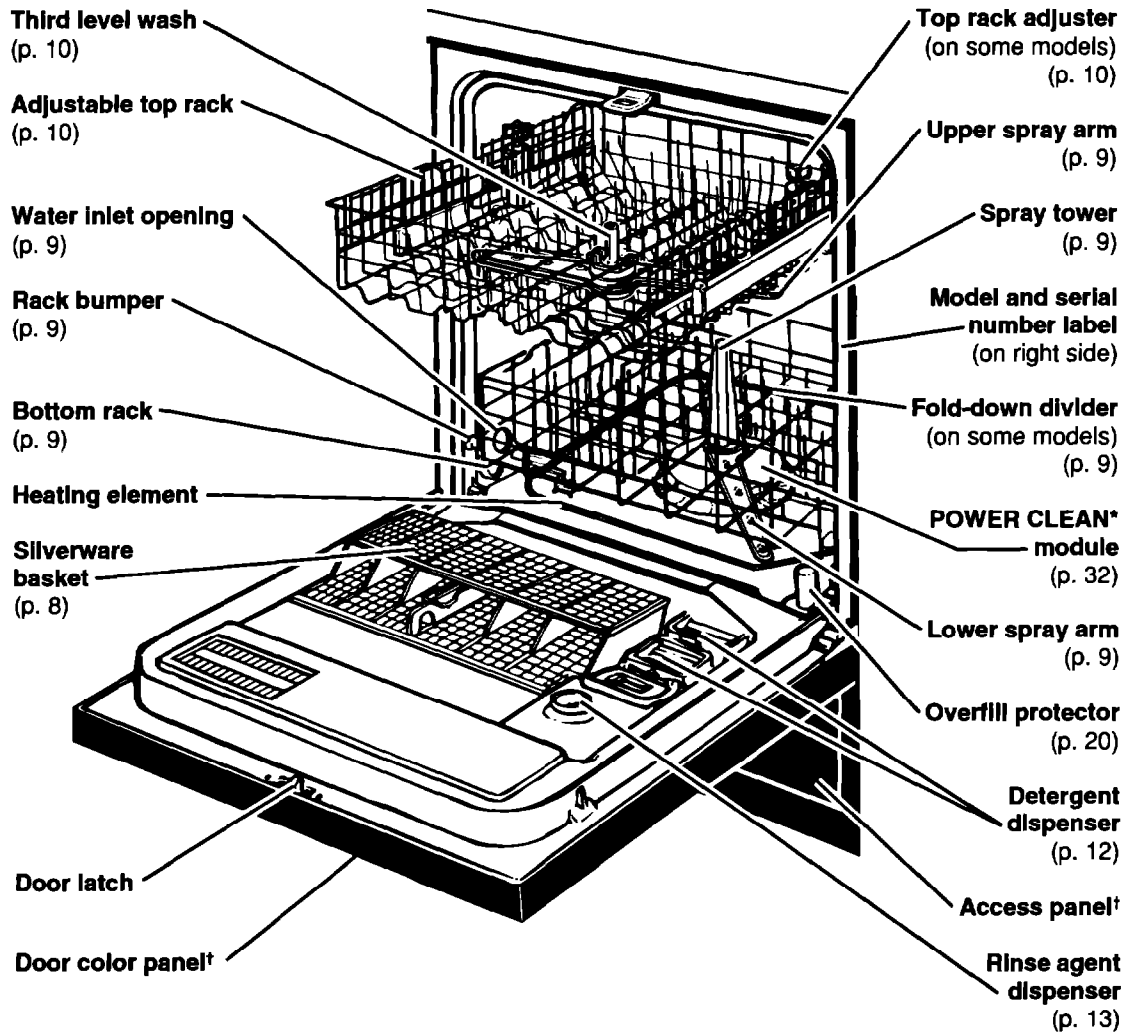
**WARNING** – When using the dishwasher, follow basic precautions, including the following:

- Read all instructions before using the dishwasher.
- Use the dishwasher only for its intended function.
- Use only detergents or rinse agents recommended for use in a dishwasher and keep them out of the reach of children.
- When loading items to be washed:
  - 1) Locate sharp items so that they are not likely to damage the door seal; and
  - 2) Load sharp knives with the handles up to reduce the risk of cut-type injuries.
- Do not wash plastic items unless they are marked "dishwasher safe" or the equivalent. For plastic items not so marked, check the manufacturer's recommendations.
- Do not touch the heating element during or immediately after use.
- Do not operate the dishwasher unless all enclosure panels are properly in place.
- Do not tamper with controls.
- Do not abuse, sit on, or stand on the door or dish racks of the dishwasher.
- To reduce the risk of injury, do not allow children to play in or on the dishwasher.
- Under certain conditions, hydrogen gas may be produced in a hot water system that has not been used for two weeks or more. **HYDROGEN GAS IS EXPLOSIVE.** If the hot water system has not been used for such a period, before using the dishwasher turn on all hot water faucets and let the water flow from each for several minutes. This will release any accumulated hydrogen gas. As the gas is flammable, do not smoke or use an open flame during this time.
- Remove the door to the washing compartment when removing an old dishwasher from service or discarding it.

– SAVE THESE INSTRUCTIONS –

# Parts and Features

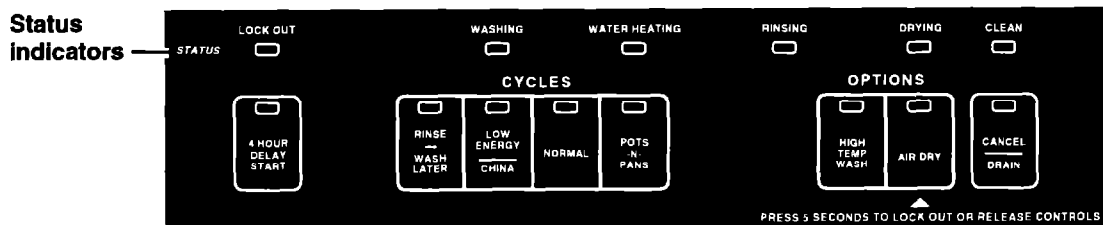
Your dishwasher is illustrated below with the parts and features called out. To help you find information on specific parts or features quickly, page references are included.



† See Installation Instructions for more information.

## Control panel

Your dishwasher has a row of push pads to select cycles and options. You **must** select a cycle to start your dishwasher. You **may** select one or more options.



# Starting Your Dishwasher

This section tells you how to start or stop your dishwasher. Refer to it for quick reference.

## ⚠ WARNING



### Tip Over Hazard

Do not use dishwasher until completely installed.

Do not push down on open door.

Doing so can result in serious injury or cuts.

## ⚠ WARNING



### Electrical Shock Hazard

Electrically ground dishwasher.

Connect ground wire to green ground connector in terminal box.

Do not use an extension cord.

Failure to do so can result in death, fire, or electrical shock.

## GROUNDING INSTRUCTIONS

- For a grounded, cord connected dishwasher:

The dishwasher must be grounded. In the event of a malfunction or breakdown, grounding will reduce the risk of electric shock by providing a path of least resistance for electric current. The dishwasher is equipped with a cord having an equipment-grounding conductor and a grounding plug. The plug must be plugged into an appropriate outlet that is installed and grounded in accordance with all local codes and ordinances.

**WARNING** – Improper connection of the equipment-grounding conductor can result in a risk of electric shock.

Check with a qualified electrician or service representative if you are in doubt whether the dishwasher is properly grounded. Do not modify the plug provided with the dishwasher; if it will not fit the outlet, have a proper outlet installed by a qualified electrician.

- For a permanently connected dishwasher:

The dishwasher must be connected to a grounded metal, permanent wiring system, or an equipment-grounding conductor must be run with the circuit conductors and connected to the equipment-grounding terminal or lead on the dishwasher.

– SAVE THESE INSTRUCTIONS –

## Starting a wash cycle

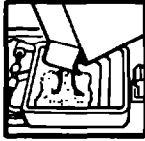
1. Load the dishwasher. See the "Loading Your Dishwasher" section.



2. Spin the spray arms. They should turn freely.



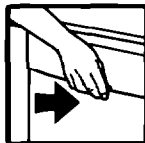
3. Add detergent. See the "Using the Dispensers" section.



4. Add rinse agent, if needed.



5. Close door firmly until it latches.



6. Run hot water at the sink nearest the dishwasher until water is hot. Turn water off. See the "Energy saving tips" section.



7. Press a Cycle pad. If desired, press one or more Option pads. (See the "Setting the Controls" section.) The dishwasher starts filling once you press a cycle pad unless you select the delay wash cycle. You may press Option pads as the machine is filling.



8. The pad indicator glows red when cycle or option is selected.



## Stopping the dishwasher

You can stop your dishwasher anytime during a cycle. All you have to do is:

- Open the door slightly. Wait for any filling or spraying action to stop before opening the door all the way. Close door to continue cycle.

**OR**

- Press Cancel/Drain. Once pressed, a 2-minute drain starts.

# Loading Your Dishwasher

This section tells how to properly load your dishwasher for best washing and rinsing results.

## Preparing to load your dishwasher

- To save water and energy, do not rinse dishes before putting them into the dishwasher.
- Remove large pieces of food, bones, and other hard items. The POWER CLEAN\* module removes food particles from the water. The module contains a chopping device which reduces the size of food items.

**NOTE:** If hard items such as fruit seeds, nuts, and egg shells enter the POWER CLEAN module, you might hear chopping, grinding, crunching, or buzzing sounds. Those sounds are normal when hard items enter the module. **Do not** let metallic items (such as pot handle screws) get into the POWER CLEAN module. Damage can occur.

- Foods like eggs, rice, pasta, and cooked cereals may be hard to remove if left to dry over a period of time. Run a Rinse/Wash Later cycle to keep dishes moist if you do not plan to wash them soon.
- Load dishes so soiled surfaces face the rotating spray arm.
- Load dishes so they are not stacked or overlapping. It is important for the water spray to reach all soiled surfaces for best washing. For best drying, water must be able to drain from all surfaces.

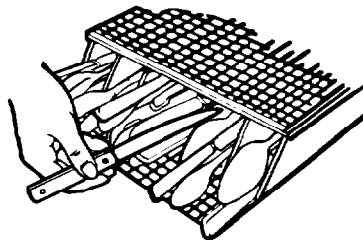
## Loading for quiet operation

- Secure lightweight load items in the racks.
- Pot lids and handles, pizza pans, cookie sheets, etc., should not touch interior walls, interfere with the spray arm's rotation, or cover the spray tower.
- Load dishes so they do not touch one another.

**NOTE:** Keep sink drain plugs inserted during dishwasher operation to prevent noise transfer through drains.

## Loading the silverware basket

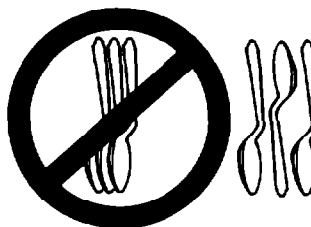
- Load the silverware basket while it is in the door or take the basket out for loading on a counter or table.



- Mix items in each section of the basket with some pointing up and some down to avoid nesting. Spray cannot reach nested items.

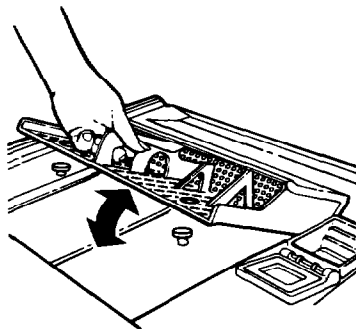
**IMPORTANT:** Always load sharp items (knives, skewers, forks, etc.) pointing down.

- Put small items (baby bottle caps, jar lids, etc.) in any section.
- You can also remove the basket for easy unloading. Always unload or remove the basket before unloading the racks to avoid spilling water on the silverware.



### To remove the basket:

1. Grab the basket by the handle and slide it toward the top of the door.
2. Lift the basket off the holding buttons.



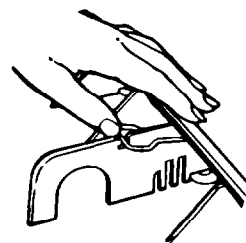
### To replace the basket:

1. Set the basket on the holding buttons.
2. Slide the basket towards the bottom of the door until it locks in place.

### To open the basket:

- Unhook the latch as shown.

**NOTE:** Be sure the cover is completely latched before pulling out the bottom rack and before closing the dishwasher door.





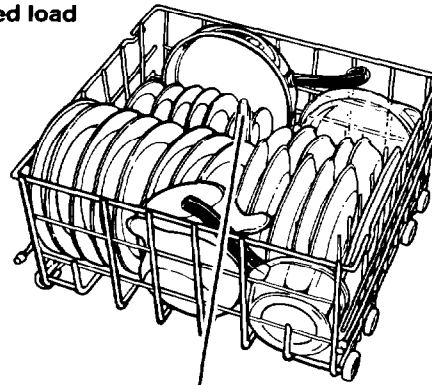
## Loading the bottom rack

Load items with cooked-on or dried-on food in the bottom rack, with soiled surfaces facing inward to the spray.

### Mixed load

- Load plates, soup bowls, etc., between prongs and facing inward to the spray.
- Make sure pot handles and other items do not stop rotation of the spray arms. Spray arms must move freely.
- Load items so they do not block or cover the spray tower.
- Load heavily-soiled cookware face down in rack.
- Do not stack or overlap dishes. Water spray must reach all soiled surfaces for best results.

Mixed load

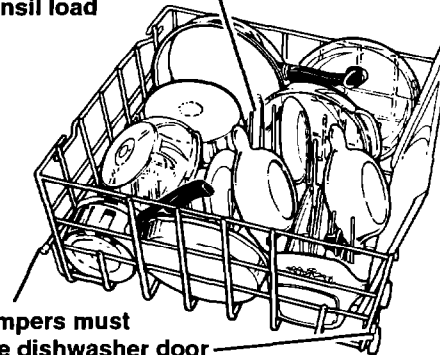


Do not cover spray tower

### Utensil load

- Load cookie sheets, cake pans, and other large items at sides and back. Loading such items in front may keep water spray from reaching detergent dispenser and silverware basket.

Utensil load



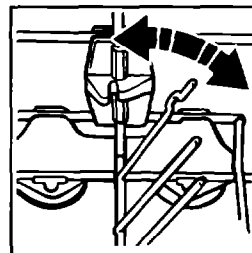
Bumpers must face dishwasher door

### NOTES:

- Do not load glasses, cups, or plastic items in the bottom rack.
- Do not load items between the bottom rack and the dishwasher tub. This can block the water inlet opening.
- If you have removed the bottom rack for unloading or cleaning, replace it with bumpers in front.

### Fold-down divider (on some models)

Use the fold-down divider at the back of the rack to make room for deep bowls, roasters, etc.



## Loading the top rack

Load the top rack with cups, glasses, and smaller items. Do not cover the third level wash when loading the top rack.

### Cup and glass load

- Load so open ends face down for cleaning and draining.
- Load glasses in top rack only – bottom rack is not designed for glasses. Damage can occur.
- Place items in the rows **between** prongs. Placing them over the prongs may lead to breakage.
- Secure lightweight items.
- China, crystal, and other delicate items must not touch each other during dishwasher operation. Damage may occur.

Cup and glass load

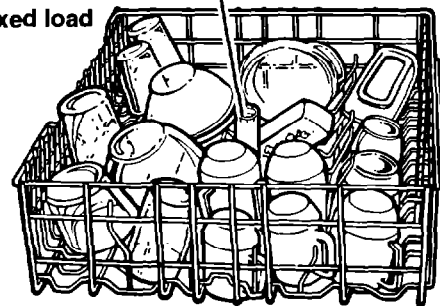


Do not cover third level wash

### Mixed load

- Small bowls, pans, and other utensils can be placed in the top rack.
- Load plastic items in the top rack only. Plastic items may melt in the bottom rack.
- Wash only plastic items marked "dish-washer safe."
- Load plastic items so the force of the spray does not move them during the cycle.

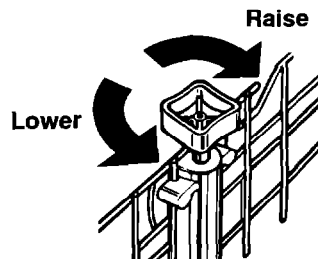
Mixed load



### Infinite adjustable top rack (on some models)

Raise or lower the rack to fit tall items in either the top or bottom rack. The top rack does not have to be level.

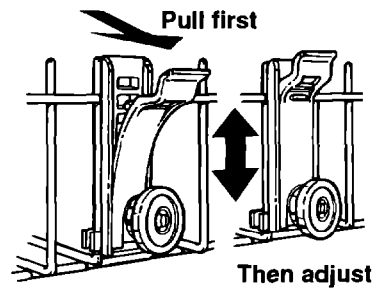
- Turn the knob clockwise to raise a side of the rack.
- Turn the knob counterclockwise to lower a side of the rack.



## Adjustable 3-position top rack (on some models)

You can raise or lower the rack to fit tall items in either the top or bottom rack. The high and low positions are marked on the adjuster on the side facing the centre of the dishwasher.

1. Hold the top rack with 1 hand near the adjuster.
2. Pull the top of the adjuster lever out with the other hand.
3. Lift or lower the rack to 1 of the pre-set positions.
4. Release the adjuster lever.
5. Repeat steps 1-4 for the 3 remaining adjusters as needed. The 4 adjusters can be raised or lowered separately or together, as desired. The top rack does not have to be level.



# Using the Dispensers

For best washing results, review the information below. It is important to use detergents and rinse agents properly.

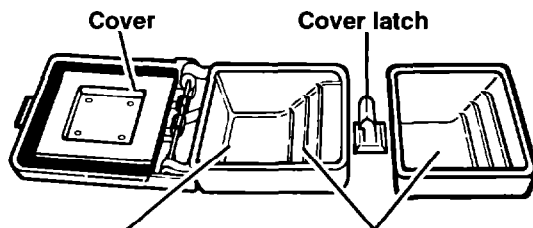
## Using the detergent dispenser

- Use automatic dishwashing detergent **only**. Other detergents are too mild and much too sudsy.
- Add detergent just before starting cycle.
- Store detergent tightly closed in a cool, dry place. **Fresh automatic dishwasher detergent results in better cleaning.**

### Filling the detergent dispenser

The detergent dispenser has one section with a cover and one without. Push cover down firmly until it latches. Detergent in the open section falls into the dishwasher when closing the door. The covered section opens automatically for the main wash.

**NOTE:** It is normal for cover to open partially when dispensing detergent.



Use only covered section for:  
– Low Energy/  
China

Use both sections for:  
– Normal  
– Pots-N-Pans

### How much detergent to use

- The amount of detergent to use depends on the hardness of your water and the type of detergent. If you use too little, dishes won't be clean. If you use too much in soft water, glassware will etch.
- Different brands of dishwasher detergent have different amounts of phosphorus for softening water. If you have hard water and use low phosphorous content detergent (6.0% or less), you may need to use more detergent or use a detergent with a higher phosphorous content (8.7%).
- Find out your water's hardness by asking your local water department, water softener company, or county extension agent.

WATER TYPE	WHERE TO FILL	
<b>Hard</b> 8+ grains per gallon 136+ parts per million	Top of 3rd step (3 tbs.)	
<b>Medium</b> 5-7 grains per gallon 85-119 parts per million	Top of 2nd step (2 tbs.)	
<b>Soft</b> 0-4 grains per gallon 0-68 parts per million	Top of 1st step (1 tbs.)	

Fill amounts shown are for standard powdered detergent. Amounts may vary if you use liquid or concentrated powdered detergent. Follow manufacturer's directions when using liquid dishwasher detergent or concentrated powdered detergent.

## Using the rinse agent dispenser

Keep the rinse agent dispenser filled with a liquid rinse agent. **A rinse agent greatly improves dish drying by helping water flow off them during the last rinse.** A rinse agent also keeps water from forming droplets and drying as spots or streaks.

A small amount of rinse agent automatically releases into the rinse water during the final rinse of each cycle. **For best drying results, check dispenser periodically to see if it needs filling.**

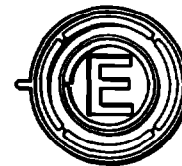
### To check dispenser:

- Check center of fill indicator cap. Clear means it needs filling.
- OR
- Remove fill indicator cap. An "E" is visible when dispenser is empty.



Cap center clear when empty

OR



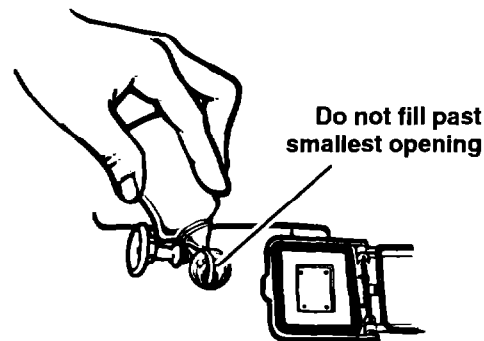
"E" visible when empty

### To fill dispenser:

The rinse agent dispenser holds 6 ounces (175 mL). Under normal conditions, this lasts about 3 months.

1. Open dishwasher door completely.
2. Remove fill indicator cap.
3. Add rinse agent. Fill to smallest opening in lower part of dispenser only. Overfilling may cause rinse agent to leak out. This will not harm the dishwasher, but could cause oversudsing.
4. Clean up any spilled rinse agent with a damp cloth.
5. Replace fill indicator cap. Keep it closed tightly.

**NOTE:** You do not have to wait until the dispenser is empty before refilling, but do not overfill it. Your dishwasher is designed to use a liquid rinse agent. You do not need to use a solid or bar-type rinse agent.







Keep dispenser filled for best drying results

# Setting the Controls

Operating your dishwasher's controls properly helps you obtain the best possible washing results. This section tells you how to select wash cycles and options.

## Selecting a wash cycle

Press a Cycle pad. The dishwasher starts filling once you press a cycle pad unless you select the delay wash cycle. You may press Option pads as the machine is filling.

CYCLE	A "•" shows what each cycle includes						CYCLE TIME (Minutes)
	WASH	RINSE	MAIN WASH	RINSE	FINAL RINSE	DRY	
<b>RINSE/WASH LATER</b>  For rinsing a few items to be washed one or more days later. <ul style="list-style-type: none"> <li>• Do not use detergent.</li> <li>• Water is not heated during Rinse/Wash Later.</li> <li>• Air Dry is automatically selected.</li> </ul>				•	•		12
<b>LOW ENERGY/CHINA</b>  Single wash for pre-rinsed or lightly soiled loads. <ul style="list-style-type: none"> <li>• Select High Temp Wash to heat water in the main wash.</li> <li>• The water heats to 140°F (60°C) in the final rinse.</li> </ul>			•	•	•	•	60 <sup>†</sup>
<b>NORMAL</b>  Double wash for normal, everyday soiled loads. (The Energy Guide label is based on this cycle.) <ul style="list-style-type: none"> <li>• Select High Temp Wash to heat water in the main wash.</li> <li>• The water heats to 140°F (60°C) in the final rinse.</li> </ul>	•		•	•	•	•	66 <sup>†</sup>
<b>POTS-N-PANS</b>  Double wash for maximum cleaning of cooked-on or dried-on foods. <ul style="list-style-type: none"> <li>• The water heats to 140°F (60°C) in both washes.</li> <li>• The water heats to 140°F (60°C) in the final rinse.</li> </ul>	•	•	•	•	•	•	76 <sup>†</sup>

<sup>†</sup> Cycle time includes dry time and may be longer depending on the temperature of water entering the dishwasher. The cooler the water, the longer the cycle time. If the water is already hot enough, the cycle times will be as shown.

## Using Cancel/Drain

Press Cancel/Drain to cancel a cycle or to clear the indicators.



### To clear the indicators:

Press Cancel/Drain before starting the dishwasher to clear all cycle and option selections.

### To cancel a cycle:

- Press Cancel/Drain while the dishwasher is running to start a 2-minute drain. It will take a few seconds for the drain to start. If desired, select a new cycle. (See the “Changing a cycle or option setting” section.)
- You can press Cancel/Drain again to stop the drain immediately. Remember to drain the dishwasher again before starting a new cycle.

**NOTE:** A small amount of water remaining in the dishwasher is normal.

## Selecting cycle options

You can press an Option pad after the dishwasher starts as long as the cycle is not past the point that the option is used. For example, you can press Air Dry anytime before the Drying indicator glows.

After a wash cycle, the dishwasher remembers the chosen options and uses the same options in the next wash cycle unless new options are selected or the Cancel/Drain pad is pressed.

### High Temp Wash

When High Temp Wash is selected, the dishwasher heats the water during the main wash of the Low Energy/China and Normal cycles. Heating the water helps improve washing results. The Pots-N-Pans cycle automatically uses High Temp Wash.



### Air Dry

When Air Dry is selected, the air in the dishwasher is not heated during the “dry” portion of a cycle. Using Air Dry helps save energy, but dishes take longer to dry and some spotting can occur.

Some items (such as plastics) may need towel drying. For best drying, use a liquid rinse agent.

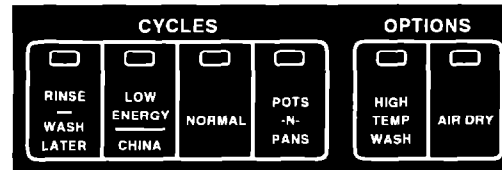
**NOTE:** The dishwasher automatically heats the air in the dishwasher during the “dry” portion of the cycle unless you select Air Dry.



## Changing a cycle or option setting

### During the first minute of a cycle

1. Press new Cycle and/or Option pads.
2. Check the detergent dispensers. They must be filled properly for the new cycle.



### After the first minute of a cycle

1. Press Cancel/Drain. A 2-minute drain cycle starts. Wait for drain cycle to finish.
2. Press a new Cycle pad.
3. If desired, press one or more Option pad(s).
4. Check the detergent dispensers. They must be filled properly for the new cycle.

## Adding an item during a cycle

You can add an item to the dishwasher anytime before the main wash portion of a cycle.

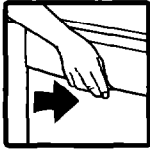
1. Lift up the door latch to stop the cycle. Wait for spraying action to stop before opening the door.
2. Open the door and add the item.
3. Close the door, but **do not** latch it. Wait 30 seconds for the air in the dishwasher to warm up. Doing so reduces the amount of moisture in the vent when restarting a cycle.
4. Close the door firmly until it latches. The dishwasher resumes the cycle.



## Using the delay wash cycle

Use 4 Hour Delay Start to run the dishwasher during off-peak hours to reduce energy usage or to reduce daytime heat buildup in your home.

1. Close door firmly until it latches.



2. Press 4 Hour Delay Start. The indicator will glow red.



3. Press a Cycle button. The Delay Start countdown begins when you press the Cycle button. If you don't press a Cycle button within 30 seconds, the Delay Start indicator turns off.



4. If desired, press one or more Option buttons. The 4 Hour Delay Start indicator stays on until the wash cycle begins.



### NOTES:

- Press 4 Hour Delay Start anytime during the delay period to start dishwasher immediately.



- Press Cancel/Drain to cancel the delay cycle. The 4 Hour Delay Start indicator will turn off. Press new Cycle and Option buttons.



- You can add items to the load anytime during the delay countdown. After adding items, close the door firmly until it latches. The delay countdown will not continue if the door is not latched.

## Understanding the status indicators

### Lock Out

The Lock Out feature lets you lock out the function of the control pads. **When using Lock Out, you cannot start the dishwasher.**



#### To use Lock Out:

- Press and hold Air Dry (about 5 seconds) until the Lock Out indicator glows.



#### To turn off Lock Out:

- Press and hold Air Dry (about 5 seconds) until the Lock Out indicator turns off.

### Washing

The Washing indicator glows at the start of the first fill of any cycle (except Rinse/Wash Later) and remains on until the end of the main wash.



### Water Heating

The Water Heating indicator glows whenever water is heated during a cycle.



### Rinsing

The Rinsing indicator glows during the last 2 rinses of all cycles.



### Drying

The Drying indicator glows during the drying portion of each cycle – even if you select Air Dry. It turns off at the end of the cycle. If dishes are not as dry as you expected when using Air Dry, either allow longer drying times (overnight) or do not use Air Dry.



### Clean

The Clean indicator glows at the end of a cycle to show that the load is clean. All other indicators turn off. The Clean indicator glows until you press Cancel/Drain or any other control pad.



# Washing Special Items

If you have any doubts about washing a particular piece of dishware, check with the manufacturer to see if it is dishwasher safe.

<b>MATERIAL</b>	<b>DISHWASHER SAFE?</b>	<b>EXCEPTIONS/SPECIAL INFORMATION</b>
<b>Aluminum</b>	<b>Yes</b>	High water temperature and detergents can pit finish of anodized aluminum.
<b>Bottles and Cans</b>	<b>No</b>	Wash bottles and cans by hand. Labels attached with glue can loosen in your dishwasher. Loose labels and glue can clog spray arms or the pump and will reduce washing performance.
<b>Cast Iron</b>	<b>No</b>	Seasoning will be removed and iron will rust.
<b>China/ Stoneware</b>	<b>Yes</b>	Always check manufacturer's recommendations before washing. Antique, hand-painted, or over-the-glaze patterns may fade. Gold leaf can discolor or fade.
<b>Crystal</b>	<b>Yes</b>	Always check manufacturer's recommendations before washing. Some types of leaded crystal can etch with repeated washings.
<b>Gold</b>	<b>No</b>	Gold-colored flatware will discolor.
<b>Glass</b>	<b>Yes</b>	Milk glass will yellow with repeated dishwasher washing.
<b>Hollow-Handle Knives</b>	<b>No</b>	Handles of some knives are attached to the blade with adhesives which may loosen if washed in the dishwasher.
<b>Pewter</b>	<b>No</b>	High water temperatures and detergent can discolor or pit finish.
<b>Disposable Plastics</b>	<b>No</b>	Cannot withstand high water temperatures and detergents.
<b>Plastics</b>	<b>Yes</b>	Always check manufacturer's recommendations before washing. Plastics vary in their capacity to withstand high water temperatures and detergents. Load plastics in top rack only.
<b>Stainless Steel</b>	<b>Yes</b>	Run the Rinse/Wash Later cycle if not washing immediately. Prolonged contact with food containing salt, vinegar, milk products, or fruit juice can damage finish.
<b>Sterling Silver or Silver Plate</b>	<b>Yes</b>	Run the Rinse/Wash Later cycle if not washing immediately. Prolonged contact with food containing salt, acid, or sulfide (eggs, mayonnaise, and seafood) can damage finish.
<b>Tin</b>	<b>No</b>	Can rust.
<b>Wooden Ware</b>	<b>No</b>	Always check manufacturer's recommendations before washing. Untreated wood can warp, crack, or lose its finish.

# Caring for Your Dishwasher

Your new dishwasher is designed to give you many years of dependable service. There are a few things you can do to maintain your dishwasher properly. This section tells you how to clean and care for your dishwasher. Refer to "Solution chart" for special cleaning problems. See Installation Instructions for information on storing your dishwasher and for cleaning the drain air gap.

## Cleaning the exterior

In most cases, regular use of a soft, damp cloth or sponge and a mild detergent is all that is necessary to keep the outside of your dishwasher nice looking and clean.



---

## Cleaning the interior

Hard water minerals may cause a white film to build up on the inside surfaces, especially just beneath the door area.

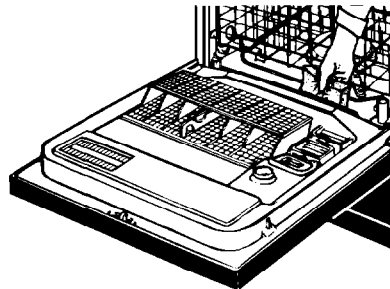
### To clean interior:

- Apply powdered dishwasher detergent to a damp sponge to make a paste.
- OR**
- Use liquid automatic dishwasher detergent and clean with damp sponge.

**Do not** clean the dishwasher interior until it has cooled.

Wear rubber gloves. **Do not** use any type of cleanser other than dishwasher detergent because it can cause foaming or sudsing.

**NOTE:** See "Removing spots and film" in the "Solving Common Dishwashing Problems" section to clean your dishwasher with white vinegar. Remember, this procedure is intended for occasional use only. Vinegar is an acid. Excessive use can damage your dishwasher.

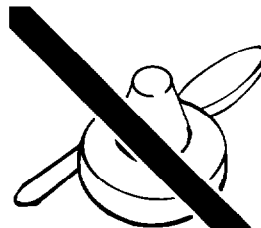


---

## Overfill protector

The overfill protector (in the front right corner of the dishwasher tub) keeps the dishwasher from overfilling. It must be in place for the dishwasher to operate.

Check under the float for objects that may keep the protector from moving up or down.



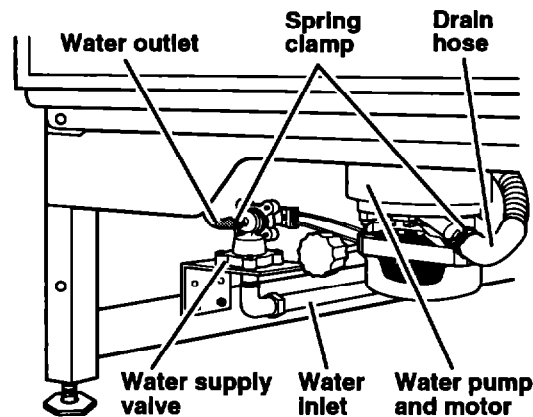
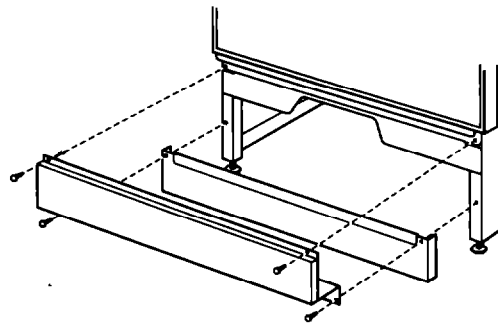
## Storing your dishwasher

### Moving or winterizing your dishwasher

Protect your dishwasher and home against water damage due to freezing water lines. If your dishwasher is left in a seasonal dwelling or could be exposed to near freezing temperatures, have a qualified person do the following:

1. Disconnect power or unplug dishwasher.
2. Turn off water supply to the dishwasher.
3. Remove the 4 screws on the lower access panel and remove the lower access panel.
4. Place a shallow pan under the water supply valve. Then, use a wrench to disconnect the water inlet from the water supply valve. Separate the water inlet from the water supply valve and drain water into the pan.
5. Remove the spring clamp from the water outlet and separate from the water supply valve; drain water into pan.
6. Reconnect both water inlet and water outlet to the water supply valve.
7. Empty the pan and reposition it under the water pump.
8. Remove the clamp and disconnect the drain hose from the water pump; drain water into pan.
9. Reconnect drain hose to the water pump, being sure to position the clamp over the connection.
10. Replace the lower access panel.

**NOTE:** If your dishwasher is connected to a garbage disposal, do not run water into the sink after winterizing. This could cause water to refill the drain hose on your dishwasher.



continued on next page

### **Reconnecting your dishwasher**

1. Remove the 4 screws on the lower access panel and remove lower access panel.
2. Turn on the water supply to dishwasher.
3. Reconnect power or plug in dishwasher.
4. Run dishwasher through a complete cycle and check for leaks.
5. Replace lower access panel.

### **Storing for the summer**

Protect your dishwasher during the summer months by turning off the water supply and power supply to the dishwasher.

# Saving Energy

Saving energy is important and helps you save money. This section gives you tips on the best ways to save energy with your dishwasher.

## Loading tips

- Wash full loads. Running a half-filled dishwasher uses the same amount of electricity and hot water as a fully loaded machine.
- Load correctly for best washing results. Incorrect loading may cause poor washing. You will then need to rewash all or part of a load.
- Do not prerinse normally soiled dishes. Select the correct cycle for the load and use the recommended amount of detergent.

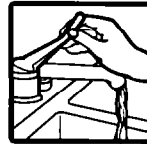
---

## Cycle and option tips

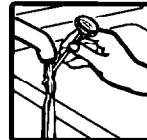
- Use the Low Energy/China cycle whenever possible. The cycle uses less hot water and energy than the Normal Cycle.
- Use 4 Hour Delay Start to run your dishwasher during off-peak hours. Local utilities recommend avoiding heavy usage of energy at certain times of day.
- Do not use the High Temp Wash option if it is not needed. When this option is off, if water entering the dishwasher is lower than 140°F (60°C), the cycle does not take additional time to heat water during the main wash.  
**NOTE:** Loads may not wash or dry as well if the water temperature is too low. For best dishwashing results, water must be at least 120°F (49°C) as it enters the dishwasher.
- Use the Air Dry option whenever possible. Allow longer drying times (overnight). Use a rinse agent to improve drying.

### To check water temperature:

1. Run hot water at the faucet closest to your dishwasher. Let the water run for at least 1 minute.



2. Hold a candy or meat thermometer in the running stream of water. If water temperature at the faucet is below 120°F (49°C), have a qualified person raise the water heater's thermostat setting.



# Solving Common Dishwashing Problems

A convenient checklist for handling minor performance problems. Go over this list before calling for service. If you are unable to solve your dishwasher's problem, turn to the "Troubleshooting" section for service information.

## Solution chart

PROBLEM	CAUSE	SOLUTION
<b>Food soil left on dishes</b>	Improper loading	See the "Loading Your Dishwasher" section.
	Water temperature too low	Use the High Temp Wash option. If needed, turn home water heater up to ensure water entering dishwasher is 120°F (49°C) minimum. See the "To check water temperature" section.  <b>NOTE:</b> In some cases, loads may not dry as well when using the High Temp Wash option.
	Use of incorrect, too little, or ineffective detergent	Use recommended dishwasher detergents only. See the "Using the Dispensers" section. Never use less than one tablespoon per load. Detergent must be fresh to be effective. Always store detergent tightly-closed in a cool, dry place.
	Detergent cakes in dispenser	Use fresh detergent only. Do not allow detergent to sit for several hours in a wet dispenser. Check dispenser for caked detergent. Clean dispenser when caked detergent is present.
	Insufficient fill due to low water pressure	Home water pressure should be 20 to 120 pounds per square inch (psi) (138 to 828 kPa) for proper dishwasher fill. A booster pump on the water supply may be necessary if pressure is too low.
	Slowdown of wash arm due to high suds	Never use soap or laundry detergents. Use recommended dishwasher detergents only.
<b>Spotting and filming</b>	Hard water or high mineral content in water	Use rinse agent to help prevent spotting and filming. See the "Loading Your Dishwasher" section. To remove hard water film, see "Removing spots and film" at the end of this section.
	Water temperature too low	Use the High Temp Wash option. If needed, turn home water heater up to ensure water entering dishwasher is 120°F (49°C) minimum. See the "To check water temperature" section.  <b>NOTE:</b> In some cases, loads may not dry as well when using the High Temp Wash option.



# SOLVING COMMON DISHWASHING PROBLEMS

PROBLEM	CAUSE	SOLUTION
<b>Spotting and filming</b> (continued)	Use of incorrect detergents  Incorrect amount of detergent   Use of ineffective detergents   Insufficient fill due to low water pressure	Use recommended dishwasher detergents only.  Follow recommendations in the "Using the Dispensers" section for amount. Heavy soil and/or hard water generally require extra detergent.  Use fresh detergent. Store detergent tightly-closed in a cool, dry place. Discard lumpy detergent.  Home water pressure should be 20 to 120 psi (138 to 828 kPa) for proper dishwasher fill. A booster pump on the water supply may be necessary if pressure is too low.
<b>Cycle takes extremely long time</b>	Water temperature is too low   Dishwasher is not installed properly	If needed, turn home water heater up to ensure water entering dishwasher is 120°F (49°C) minimum. See the "To check water temperature" section.  Undercounter dishwashers require adequate enclosure for proper operation. See Installation Instructions for complete information.
<b>Dishes do not dry completely</b>	Dishes do not drain properly   Plastics	Dishes must have proper water drainage. Do not overload. See the "Loading Your Dishwasher" section. Use a liquid rinse agent to speed draining.  Some plastics, due to material, may need to be towel dried.
<b>Silica film or etching</b> (silica film is a white iridescent deposit; etching is a cloudy film)	Water chemical reaction with certain types of glassware – usually caused by some combination of soft or softened water, alkaline washing solutions, insufficient rinsing, overloading the dishwasher, and heat of drying	It may not be possible to prevent problem, except by hand-washing. To slow this process, use a minimum amount of detergent but not less than one tablespoon per load. Use a liquid rinse agent and underload the dishwasher to allow thorough rinsing. Silica film and etching are permanent and cannot be removed. Use the Air Dry option.
<b>Black or gray marks on dishes</b>	Aluminum items touching dishes	Load aluminum items so that they will not rub against dishes during washing. Do not wash throwaway aluminum items in the dishwasher because they may break down and cause marking. Remove aluminum markings by using a mild abrasive cleanser.

**continued on next page**

PROBLEM	CAUSE	SOLUTION
<b>White spots on cookware with nonstick finish</b>	Seasoning removed by dishwasher detergents	Reseason cookware after dishwasher washing.
<b>Brown stains on dishes and dishwasher interior</b>	High iron content in water supply	Remove by washing dishes (after food soil has been removed) with 1 teaspoon to 1 tablespoon of citric acid crystals added to covered section of detergent dispenser. Do not use detergent. Follow with a Low Energy/China cycle and detergent. If treatment is needed more often than every other month, we recommend installation of an iron removal unit.
<b>Orange stains on dishwasher interior</b>	Large amounts of tomato-based foods on dishes placed in the dishwasher	Stains will not affect dishwasher performance and can gradually fade over time. Regular use of Rinse/Wash Later reduces the chance of staining. If air in the dishwasher is heated during the "dry" portion of the cycle, stains may fade slower than if the Air Dry option is selected.
<b>Odor in the dishwasher</b>	Dishes only washed every 2 to 3 days	Run a Rinse/Wash Later cycle at least once or twice a day until a full load is accumulated.
<b>Chipping of dishes</b>	Improper loading	Load dishes and glasses so they are stable and do not strike together from washing action. Moving racks in and out slowly will also minimize chipping.  <b>NOTE:</b> Some types of china and glassware are too delicate for automatic dishwashing and should be hand-washed; for example: antiques, feather-edged crystal, and similar items.

## Removing spots and film

Keep the rinse agent dispenser filled with a liquid rinse agent. A rinse agent prevents water from forming droplets and drying as spots or streaks.



To remove spots and film on dishes and glasses, or hard water film/lime buildup on the interior of the dishwasher, you may use white vinegar with the following procedure:

1. Load clean dishes and glasses in dishwasher. Do not load silverware or other metals in the dishwasher.

2. Put 2 cups of household vinegar (in a glass or dishwasher safe measuring cup) standing upright in the bottom rack.
3. Close and latch the door.
4. Select the Normal cycle and Air Dry option. Do not use detergent. Allow the dishwasher to complete the entire cycle.

**NOTE:** This cleaning procedure is intended for occasional use only. Vinegar is an acid. Excessive use may damage your dishwasher.

# Troubleshooting

Before calling for assistance please check the chart below for problems you can fix. It could save you the cost of a service call.

## Dishwasher problems

PROBLEM	CHECK THE FOLLOWING
<b>Dishwasher does not run or stops during a cycle</b>	<p>Is the door tightly closed and securely latched?</p> <p>Has the cycle been set correctly?</p> <p>Is the dishwasher set for a delay start?</p> <p>Has a household fuse or circuit breaker blown or tripped?</p> <p>If the motor stopped because of an overload, it will automatically reset itself within a few minutes. If it does not start, call for service.</p> <p>Is the water supply turned on?</p> <p>Is the dishwasher wired into a live circuit with the proper voltage?</p>
<b>Dishwasher runs too long</b>	<p>Cycle times depend on the temperature of the water entering the dishwasher. Cooler water results in longer cycle times.</p> <p>Undercounter dishwashers require adequate enclosure for proper operation. See Installation Instructions for complete information.</p>
<b>Dishwasher will not fill</b>	<p>Is overfill protector stuck in "up" position? Overfill protector should move up and down freely. Press down to release. See the "Caring for Your Dishwasher" section, on page 19.</p>
<b>Water remains in dishwasher</b>	<p>Allow cycle to finish. A small amount of water remaining is normal.</p> <p>Check the drain air gap (if installed). If it is clogged, follow the manufacturer's cleaning instructions.</p>
<b>Detergent remains in covered section of dispenser</b>	<p>Has the cycle completed?</p> <p>Is the detergent fresh and dry without lumps? See the "Using the Dispensers" section, on page 11.</p> <p>Is the bottom rack in backwards? The rack bumpers must face the dishwasher door.</p>
<b>Dishes not as dry as you expected</b>	<p>Is the rinse agent dispenser empty? Using a rinse agent greatly improves drying.</p> <p>Do not use Air Dry option on the next load. See the "Setting the Controls" section, on page 13.</p>
<b>Grinding, grating, crunching, or buzzing sounds</b>	<p>Has a hard object entered the POWER CLEAN* module? The sound should stop when the object is ground up.</p>
<b>White residue appears on front of access panel</b>	<p>Is too much detergent being used? See the "Using the Dispensers" section, on page 11, for recommended amounts of detergent.</p> <p>Some liquid detergents develop excess foam and residue on panel. Try a different brand to reduce foaming and eliminate buildup.</p>

continued on next page

27

## TROUBLESHOOTING

<b>PROBLEM</b>	<b>CHECK THE FOLLOWING</b>
<b>Control panel does not respond when pads are pressed</b>	Is the control panel Lock Out feature on? Is the door tightly closed and securely latched?
<b>Dishwasher drains after turning off indicators</b>	Did you accidentally press the Cancel/Drain pad twice? Press Cancel/Drain pad again to stop draining.
<b>Dishwasher will not close</b>	Is the bottom rack in backwards? The rack bumpers must face the dishwasher door.

# Requesting Assistance or Service

Before calling for assistance or service, please check the "Troubleshooting" section. It may save you the cost of a service call. If you still need help, follow the instructions below.

## If you need assistance or service in the U.S.A.:

### 1. If the problem is not due to one of the items listed in "Troubleshooting"† ...



Call the Whirlpool Consumer Assistance Center telephone number. Dial toll-free from anywhere in the U.S.A.:

**1-800-253-1301**

and talk with one of our trained consultants. The consultant can instruct you in how to obtain satisfactory operation from your appliance or, if service is necessary, recommend a qualified service company in your area.

If you prefer, write to:

Whirlpool Brand Home Appliances  
Consumer Assistance Center  
c/o Correspondence Dept.  
2000 North M-63  
Benton Harbor, MI 49022-2692

Please include a daytime phone number in your correspondence.

### 2. If you need service† ...



Whirlpool has a nationwide network of authorized Whirlpool service companies. Whirlpool service technicians are trained to fulfill the product warranty and provide after-warranty service, anywhere in the United States. To locate the authorized Whirlpool service company in your area, call our Consumer Assistance Center telephone number (see Step 1) or look in your telephone directory Yellow Pages under:

• **APPLIANCE-HOUSEHOLD-MAJOR, SERVICE & REPAIR**

- See: Whirlpool Appliances or Authorized Whirlpool Service  
(Example: XYZ Service Co.)

• **WASHING MACHINES & DRYERS, SERVICE & REPAIR**

- See: Whirlpool Appliances or Authorized Whirlpool Service  
(Example: XYZ Service Co.)

### 3. If you are not satisfied with how the problem was solved ...

- Contact the Major Appliance Consumer Action Program (MACAP). MACAP is a group of independent consumer experts that voices consumer views at the highest levels of the major appliance industry.
- Contact MACAP only when the dealer, authorized servicer, and Whirlpool have failed to resolve your problem.

Major Appliance Consumer Action Program  
20 North Wacker Drive  
Chicago, IL 60606

- MACAP will in turn inform us of your action.

† When asking for help or service: Please provide a detailed description of the problem, your appliance's complete model and serial numbers, and the purchase date. (See the "A Note to You" section.) This information will help us respond properly to your request.

## If you need assistance or service in Canada:

### 1. If the problem is not due to one of the items listed in "Troubleshooting"† ...

Contact the dealer from whom you purchased your appliance, or call the Inglis Limited Consumer Assistance Centre toll free, **8:30 a.m. – 6 p.m. (EST)**, at **1-800-461-5681**.



### 2. If you need service† ...

Contact your nearest Inglis Limited Appliance Service branch or authorized servicing outlet to service your appliance. (See list below.)

† When asking for help or service: Please provide a detailed description of the problem, your appliance's complete model and serial numbers, and the purchase date. (See the "A Note to You" section.) This information will help us respond properly to your request.

## Inglis Limited Appliance Service – Consumer Services

### Direct service branches:

<b>BRITISH COLUMBIA</b>		1-800-665-6788
<b>ALBERTA</b>		1-800-661-6291
<b>ONTARIO</b> (except 807 area code)	Ottawa area	1-800-267-3456
	Outside the Ottawa area	1-800-807-6777
<b>MANITOBA, SASKATCHEWAN</b> and 807 area code in ONTARIO		1-800-665-1683
<b>QUEBEC</b>	Montreal (except South Shore)	1-800-361-3032
	South Shore Montreal	1-800-361-0950
	Quebec City	1-800-463-1523
	Sherbrooke	1-800-567-6966
<b>ATLANTIC PROVINCES</b>		1-800-565-1598

## For further assistance

If you need further assistance, you can write to Inglis Limited with any questions or concerns at:

Consumer Relations Department  
Inglis Limited  
1901 Minnesota Court  
Mississauga, Ontario L5N 3A7

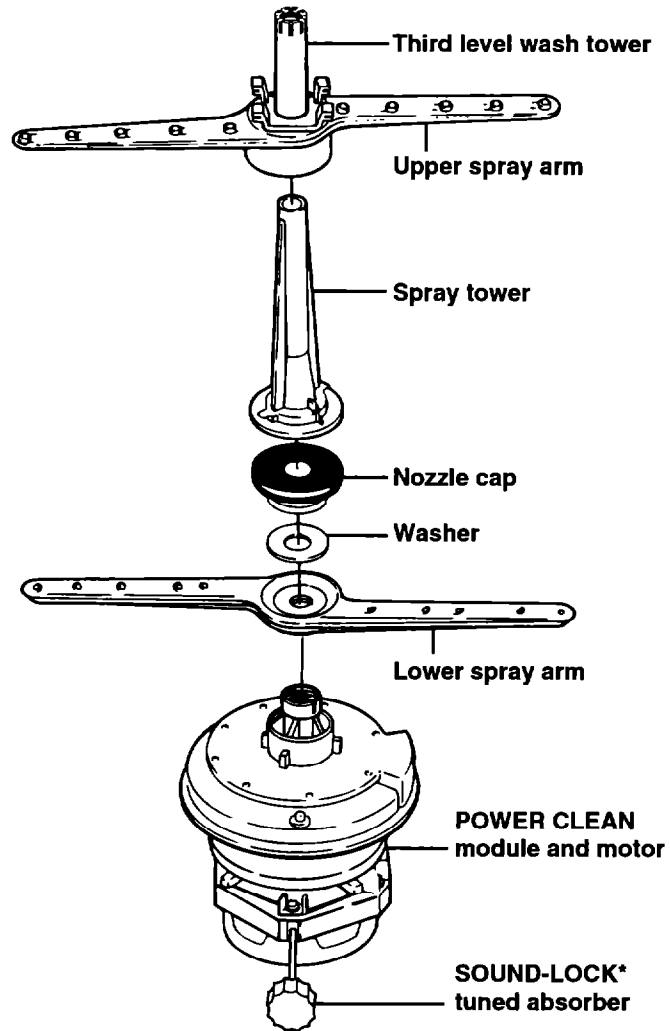
Please include a daytime phone number in your correspondence.

# Index

This index is alphabetical. Look for the word or phrase you are interested in, then look for the page number.

<b>TOPIC</b>	<b>PAGE</b>	<b>TOPIC</b>	<b>PAGE</b>
BOTTOM RACK .....	9	OPTIONS .....	15
CLEANING		OVERFILL PROTECTOR .....	20
Exterior .....	20	PARTS/FEATURES .....	4
Interior .....	20	RESPONSIBILITIES	
COMMON WASHING PROBLEMS		Owner .....	2
Solving .....	24-26	RINSE AGENT	
CYCLE		Using .....	13
Canceling .....	15	SAFETY .....	3
Selecting .....	14	SERVICE	
DETERGENT		Parts (Canada) .....	30
Tips .....	12	Parts (U.S.) .....	29
Use chart .....	12	Requesting (Canada) .....	30
DISHWASHER OPERATION		Requesting (U.S.) .....	29
Adding an item during cycle .....	16	SILVERWARE BASKET .....	8
Changing cycle .....	16	SPECIAL ITEMS	
Delay wash cycle .....	17	Washing .....	19
Starting .....	6	SPOTS/FILM	
Stopping .....	6	Removing .....	26
DISPENSER		STATUS INDICATORS .....	18
Detergent .....	12	TOP RACK	
Rinse agent .....	13	Adjusting .....	10
ENERGY		Loading .....	10
Saving .....	23	TROUBLESHOOTING .....	27
FEATURES/PARTS .....	4	WARRANTY .....	34
FILM/SPOTS		WATER	
Removing .....	26	Checking temperature .....	23
LOADING		Heating indicator .....	18
Bottom rack .....	9		
Preparing to load .....	7		
Silverware basket .....	8		
Top rack .....	10		

**POWER CLEAN® washing system parts  
covered by your warranty**





# WHIRLPOOL\* Dishwasher Warranty

LENGTH OF WARRANTY	WHIRLPOOL WILL PAY FOR
<b>FULL ONE-YEAR WARRANTY</b> FROM DATE OF PURCHASE	FSP* replacement parts and repair labor to correct defects in materials or workmanship. Service must be provided by an authorized Whirlpool service company.
<b>LIMITED ONE-YEAR WARRANTY</b> SECOND YEAR FROM DATE OF PURCHASE	FSP replacement parts for any part of the POWER CLEAN* washing system if defective in materials or workmanship. These parts are shown on page 31 of this book.
<b>LIMITED FOUR-YEAR WARRANTY</b> SECOND THROUGH FIFTH YEAR FROM DATE OF PURCHASE	FSP replacement parts for Electronic Control System if defective in materials or workmanship. For models with dishracks that are oyster-colored, FSP replacement parts for the top and/or bottom dishracks if they rust due to defective materials or workmanship.
<b>FULL TWENTY-YEAR WARRANTY</b> FROM DATE OF PURCHASE	FSP replacement parts and repair labor for the DURAPERM* tub and/or inner door should they fail to contain water due to defective materials or workmanship. Service must be provided by an authorized Whirlpool service company.
WHIRLPOOL WILL NOT PAY FOR	
<p><b>A.</b> Service calls to:</p> <ol style="list-style-type: none"> <li>1. Correct the installation of the dishwasher.</li> <li>2. Instruct you how to use the dishwasher.</li> <li>3. Replace house fuses or correct house wiring or plumbing.</li> </ol> <p><b>B.</b> Repairs when dishwasher is used in other than normal, single-family household use.</p> <p><b>C.</b> Pickup and delivery. This product is designed to be repaired in the home.</p> <p><b>D.</b> Damage to dishwasher caused by accident, misuse, fire, flood, acts of God, or use of products not approved by Whirlpool.</p> <p><b>E.</b> Any labor costs during limited warranties.</p> <p><b>F.</b> Repairs to parts or systems caused by unauthorized modifications made to the appliance.</p> <p><b>G.</b> In Canada, travel or transportation expenses for customers who reside in remote areas.</p>	

12/96

**THIS APPLIANCE IS WARRANTED BY WHIRLPOOL CORPORATION IN THE UNITED STATES AND BY INGLIS LIMITED IN CANADA. UNDER NO CIRCUMSTANCES SHALL THEY BE LIABLE UNDER THIS WARRANTY FOR INCIDENTAL OR CONSEQUENTIAL DAMAGES.** Some states and provinces do not allow the exclusion or limitation of incidental or consequential damages, so this exclusion or limitation may not apply to you. This warranty gives you specific legal rights, and you may also have other rights which vary from state to state or province to province.

**Outside the United States and Canada, a different warranty may apply. For details, please contact your authorized Whirlpool dealer.**

If you need service, first see the "Troubleshooting" section of this book. After checking "Troubleshooting," additional help can be found by calling our Consumer Assistance Center telephone number, **1-800-253-1301**, from anywhere in the U.S.A. In Canada, you may call your Inglis Limited Appliance Service Branch.

**3376837**

© 1997 Whirlpool Corporation

\* Registered trademark of Whirlpool, U.S.A., Inglis Limited licensee in Canada

5/97  
Printed in U.S.A.

Download from [www.Somanuals.com](http://www.Somanuals.com). All Manuals Search And Download.



**G U I D E**

# d'utilisation et d'entretien



**LAVE-VAISSELLE  
MODÈLES 927, 930, 935**

3376837

<b>Note à l'utilisateur .....</b>	<b>2</b>
<b>La sécurité du lave-vaisselle .....</b>	<b>3 et 4</b>
<b>Pièces et caractéristiques .....</b>	<b>5</b>
<b>Mise en marche du lave-vaisselle .....</b>	<b>6</b>
<b>Chargement du lave-vaisselle .....</b>	<b>8</b>
<b>Utilisation des distributeurs ...</b>	<b>13</b>
<b>Réglage des commandes ...</b>	<b>15</b>
Sélection des programmes de lavage .....	15
Utilisation de Cancel/ Drain .....	17
Sélection d'options de programme .....	17
Changement d'un programme ou du réglage d'une option .....	18
Addition de vaisselle durant un programme .....	18
Utilisation du programme de lavage différé .....	19
Compréhension des indicateurs de fonction .....	20
<b>Lavage d'articles spéciaux ...</b>	<b>21</b>
<b>Entretien du lave-vaisselle ...</b>	<b>23</b>
<b>Économie d'énergie .....</b>	<b>26</b>
<b>Solution des problèmes communs des lave-vaisselle ...</b>	<b>27</b>
<b>Diagnostic .....</b>	<b>31</b>
<b>Demande d'assistance ou de service .....</b>	<b>33</b>
<b>Index .....</b>	<b>34</b>
<b>Garantie .....</b>	<b>38</b>

# Note à l'utilisateur

## Merci d'avoir acheté un appareil ménager WHIRLPOOL\*.

Votre vie de plus en plus occupée et de plus en plus compliquée demande les lave-vaisselle WHIRLPOOL d'un usage facile qui font gagner du temps, et vous aident à mieux vous organiser. Pour vous assurer des années de fonctionnement sans problèmes, nous avons rédigé ce guide d'utilisation et d'entretien. Il contient des renseignements importants concernant le fonctionnement et l'entretien correct et sans danger de votre appareil. Veuillez le lire attentivement.

Nous vous demandons aussi de remplir et de poster la carte d'enregistrement d'achat fournie avec l'appareil. Cette carte nous permet de vous tenir au courant de toute nouvelle information concernant votre appareil.

## Veuillez inscrire les renseignements au sujet de votre modèle.

Chaque fois que vous soumettez une demande de service pour le lave-vaisselle, on vous demandera les numéros de modèle et de série complets. Ces renseignements se trouvent sur la plaque signalétique (voir le dessin à la section "Pièces et caractéristiques" pour connaître l'emplacement de cette plaque).

Veuillez indiquer aussi la date d'achat de l'appareil, le nom, l'adresse et le numéro de téléphone du marchand.

Numéro de modèle \_\_\_\_\_

Numéro de série \_\_\_\_\_

Date d'achat \_\_\_\_\_

Nom du marchand \_\_\_\_\_

Adresse du marchand \_\_\_\_\_

Numéro de téléphone du marchand \_\_\_\_\_

**Pour référence ultérieure, conserver ensemble ce livret et la facture d'achat dans un endroit sûr.**

## Aidez-nous à vous aider

Veuillez :

- Faire installer le lave-vaisselle par un installateur qualifié.
- Installer le lave-vaisselle de façon à ce qu'il ne soit pas exposé aux intempéries.
- Installer d'aplomb le lave-vaisselle sur un plancher capable d'en supporter le poids dans un espace convenant à sa taille et son utilisation.
- Raccorder correctement le lave-vaisselle aux sources d'électricité, d'eau et d'évacuation.†
- Retirer toutes les attaches retenant les tuyaux et les raccords (tels que le capuchon sur le tuyau d'évacuation) avant l'installation.†
- Enlever toutes les cartes attachées et les étiquettes temporaires.
- Faire en sorte que le lave-vaisselle ne soit pas utilisé par une personne incapable de le faire fonctionner.
- Entretenir le lave-vaisselle de façon appropriée. Voir la section "Entretien du lave-vaisselle".

† Voir les instructions d'installation pour obtenir des renseignements complets.

# La sécurité du lave-vaisselle

## **Votre sécurité et celle des autres est très importante.**

Nous donnons de nombreux messages de sécurité importants dans ce manuel et sur votre appareil ménager. Assurez-vous de toujours lire tous les messages de sécurité et de vous y conformer.



Voici le symbole d'alerte de sécurité.

Ce symbole d'alerte de sécurité vous signale les dangers susceptibles de causer le décès et des blessures graves.

Tous les messages de sécurité seront précédés du symbole d'alerte de sécurité et du mot "DANGER" ou "AVERTISSEMENT". Ces mots signifient :

**⚠ DANGER**

Risque certain de décès ou de blessure grave si vous ne suivez pas les instructions.

**⚠ AVERTISSEMENT**

Risque possible de décès ou de blessure grave si vous ne suivez pas les instructions.

Tous les messages de sécurité identifient le danger et vous disent comment réduire le risque de blessure et ce qui peut se produire en cas de non-respect des instructions.

## **IMPORTANTES INSTRUCTIONS DE SÉCURITÉ**

**AVERTISSEMENT** – Pendant l'usage du lave-vaisselle, suivre les précautions fondamentales, y compris le suivant :

- Lire toutes les instructions avant d'utiliser le lave-vaisselle.
- Ne pas utiliser le lave-vaisselle que pour laver la vaisselle.
- Utiliser les détergents recommandés agents de rinçage pour lave-vaisselle et les garder hors de la portée des enfants.
- Lorsque vous chargez le lave-vaisselle :
  - 1) Placer les objets coupants de façon qu'ils ne puissent endommager le joint de la porte; et
  - 2) Placer les couteaux le manche vers le haut de façon à ne pas vous couper.
- Ne pas laver d'articles en plastique à moins qu'ils ne soient marqués "Peut aller au lave-vaisselle" ou l'équivalent. Si l'article ne porte aucune indication, vérifier auprès du fabricant.
- Ne pas toucher l'élément chauffant pendant le fonctionnement ou immédiatement après.
- Ne pas faire fonctionner le lave-vaisselle si tous le panneaux de l'enceinte ne sont pas en place.
- Ne pas jouer avec les commandes.
- Ne pas abuser, de vous asseoir ou de monter sur la porte ou paniers du lave-vaisselle.
- Pour éviter tout risque d'accident, ne pas laisser les enfants jouer dans ou sur le lave-vaisselle.

**– CONSERVER CES INSTRUCTIONS –**

**suite à la page suivante**

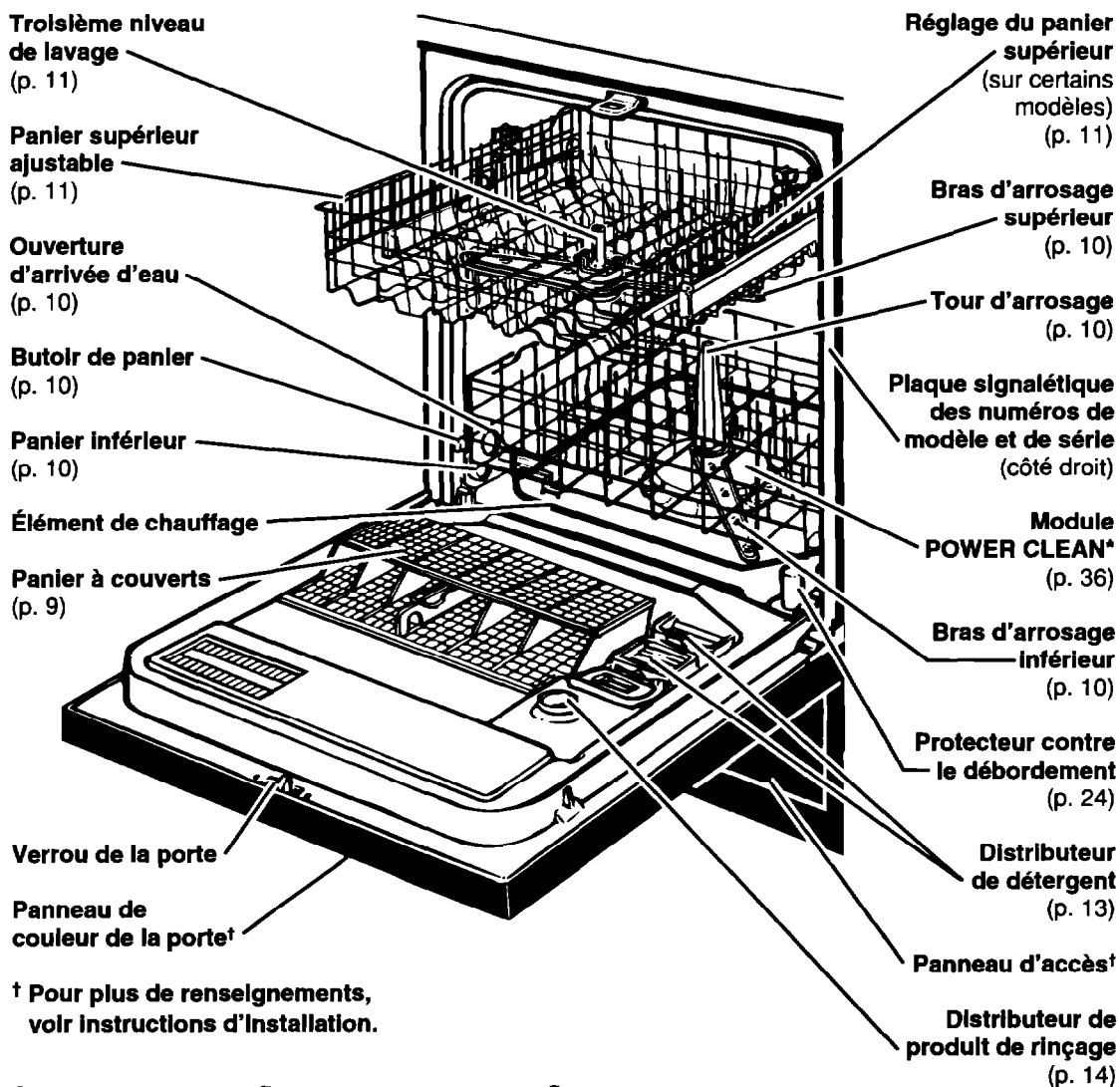
## IMPORTANTES INSTRUCTIONS DE SÉCURITÉ (suite)

- Sous certaines conditions, de l'hydrogène peut se former dans un réseau d'eau chaude inutilisé depuis deux semaines ou plus. L'HYDROGÈNE EST UN GAZ EXPLOSIBLE. Si le système d'eau chaude n'a pas été utilisé depuis un certain temps, laisser couler l'eau chaude des robinets pendant quelques minutes avant de faire fonctionner le lave-vaisselle.
- Cette mesure permettra à l'hydrogène de s'évaporer. Ce gaz étant inflammable, ne pas fumer ni utiliser de flamme nue pendant cette période.
- Enlever la porte du lave-vaisselle lorsque vous le remplacez ou le mettez au rebut.

**– CONSERVER CES INSTRUCTIONS –**

# Pièces et caractéristiques

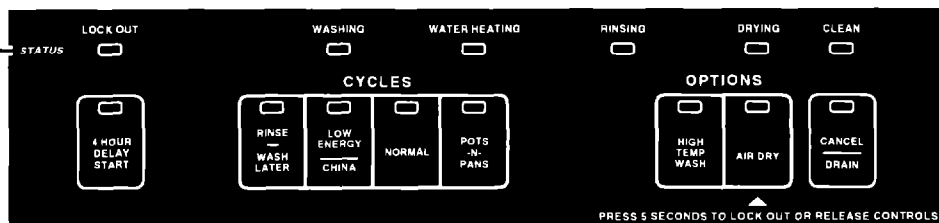
On présente ci-dessous une illustration du lave-vaisselle avec l'emplacement des pièces et des caractéristiques. Pour vous aider à repérer rapidement des renseignements sur des pièces ou caractéristiques, les pages de référence sont incluses.



## Panneau de commandes

Le lave-vaisselle possède une rangée de touches pour choisir les programmes et les options. Vous **devez** choisir un programme pour mettre votre lave-vaisselle en marche. Vous **pouvez** choisir une ou plusieurs options.

Indicateurs de fonction



# Mise en marche du lave-vaisselle

Cette section vous indique comment mettre en marche ou arrêter votre lave-vaisselle. Se référer à ces renseignements pour référence rapide.

## ⚠ AVERTISSEMENT



### Risque de pencher

**Ne pas utiliser le lave-vaisselle jusqu'à ce qu'il est complètement installé.**

**Ne pas appuyer sur la porte ouverte.**

**Le non-respect de ces Instructions peut causer les blessures graves ou les coupures.**

## ⚠ AVERTISSEMENT



### Risque de choc électrique

**Relier le lave-vaisselle à la terre d'une méthode électrique.**

**Brancher le fil reliée à la terre au connecteur vert reliée à la terre dans le boîte de la borne.**

**Ne pas utiliser un câble de rallonge.**

**Le non-respect de ces instructions peut causer un décès, un incendie ou un choc électrique.**

## INSTRUCTIONS DE MISE À LA TERRE

- Pour un lave-vaisselle reliée à la terre, branché avec un cordon :  
Le lave-vaisselle doit être reliée à la terre. En cas d'un mauvais fonctionnement ou d'une panne, le mise à terre aller réduire le risque d'un choc électrique en fournissant le moins de résistance pour le courant électrique. Le lave-vaisselle est équipé d'un cordon avec un conducteur pour relier les appareils à la terre et une fiche de branchement reliée à la terre. La fiche doit être branchée à une prise propre installé et reliée à la terre conformément aux codes et ordonnances locales.

**AVERTISSEMENT** – La connexion incorrecte du conducteur pour relier les appareils peut causer le risque de choc électrique. Vérifier avec

un électricien compétent ou un représentant de service si vous avez des doutes si le lave-vaisselle est correctement reliée à la terre. Ne pas modifier la fiche fournie avec le lave-vaisselle; s'elle n'entre pas dans le prise, installez une prise propre à l'aide d'un électricien compétent.

- Pour un lave-vaisselle branché en permanence :  
Le lave-vaisselle doit être branché à un système d'installation électrique en métal reliée à la terre, ou un conducteur pour relier les appareils doit être relié avec les conducteurs du circuit et branché à une borne pour relier les appareils à la terre ou au cordon d'alimentation électrique avec le lave-vaisselle.

**– CONSERVER CES INSTRUCTIONS –**

## Mise en marche d'un programme de lavage

1. Charger le lave-vaisselle. Voir la section "Chargement du lave-vaisselle".



2. Faire tourner les bras d'arrosage pour vérifier que rien n'entrave leur rotation.



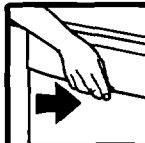
3. Ajouter le détergent. Voir "Utilisation des distributeurs".



4. Ajouter l'agent de rinçage au besoin.



5. Fermer la porte jusqu'à ce qu'elle se verrouille.



6. Ouvrir le robinet d'eau chaude de l'évier le plus proche du lave-vaisselle jusqu'à ce que l'eau qui s'écoule soit chaude. Fermer le robinet.



7. Appuyer sur une touche de programme. Si on le désire, appuyer sur une ou plusieurs touches d'options. Voir "Réglage des commandes". Le lave-vaisselle commence à se remplir lorsqu'on appuie sur une touche de programme, sauf si on a sélectionné le lavage différé. On peut appuyer sur des touches d'options pendant le remplissage de l'appareil.



8. Le témoin rouge de la touche s'illumine lors de la sélection d'un programme ou d'une option.



## Arrêt du lave-vaisselle

On peut interrompre le fonctionnement du lave-vaisselle à tout moment au cours de l'exécution d'un programme. Pour cesser le fonctionnement, il suffit de :

- Entrouvrir légèrement la porte. Attendre la fin de toute opération de remplissage ou d'arrosage avant d'ouvrir complètement la porte. Refermer ensuite la porte pour continuer le programme.

**OU**

- Appuyer sur la touche cancel/drain (annulation/vidange). Une opération de vidange de 2 minutes commence alors.



# Chargement du lave-vaisselle

On décrit dans cette section la méthode convenable de chargement du lave-vaisselle pour l'obtention des meilleurs résultats de lavage et de rinçage.

## Préparation avant le chargement du lave-vaisselle

- Pour économiser l'eau et l'énergie, ne pas rincer la vaisselle avant de la placer dans le lave-vaisselle.
- Retirer les plus gros débris de produits alimentaires, les os et autres articles durs. Le module POWER CLEAN\* extrait les particules alimentaires de l'eau. Le module contient un dispositif de hachage qui réduit la taille des débris alimentaires.  
**REMARQUE** : Si des matières dures comme noyaux de fruits, noisettes, coquilles d'oeuf pénètrent dans le module POWER CLEAN, on peut entendre le bruit émis lors du broyage et du hachage. L'émission de tel bruit est normal lorsque des articles durs pénètrent dans le module. **Ne pas** laisser d'articles métalliques (comme les vis de poignées de casserole) entrer dans le module POWER CLEAN. Des dommages pourraient en résulter.
- Des aliments comme les oeufs, le riz, les pâtes et les céréales cuites peuvent être difficiles à décoller s'ils sèchent pendant un certain temps. Si on prévoit ne pas pouvoir laver la vaisselle dans un bref délai, exécuter un programme Rinse/Wash (rinçage/lavage) pour garder la vaisselle humide.
- Placer la vaisselle pour que la surface soit orientée vers le bras d'arrosage rotatif.
- Placer la vaisselle de sorte qu'elle ne soit pas empilée ou chevauchante. Il est important que le jet d'eau atteigne toutes les surfaces sales pour le meilleur lavage. Pour le meilleur séchage, l'eau doit pouvoir s'écouler de toutes les surfaces.

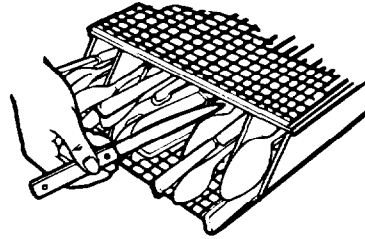
## Conseils pour un fonctionnement silencieux

- Consolider le chargement des objets légers dans les paniers.
- Couverts et poignées, tôles à pâtisserie et à pizza, etc. ne doivent pas toucher les parois intérieures, entraver la rotation du bras d'arrosage, ni couvrir la tour d'arrosage.
- Charger la vaisselle de façon qu'elle ne se touche pas.

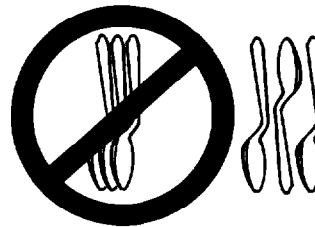
**REMARQUE** : Garder les bouchons d'écoulement de l'évier fermé pendant le fonctionnement du lave-vaisselle pour éviter des transferts de bruits par l'évacuation.

## Chargement du panier à couverts

- Charger le panier à couverts alors qu'il est dans la porte ou le retirer pour le charger sur un comptoir ou sur une table.



- Mélanger les articles dans chaque section du panier, certains vers le haut et d'autres vers le bas afin que les articles ne s'imbriquent pas. Le jet d'eau ne peut pas atteindre les articles imbriqués.

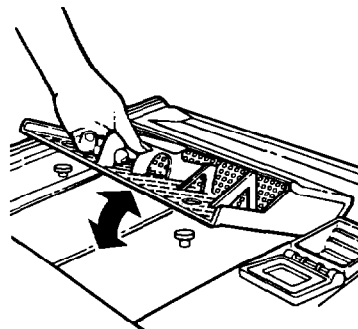


**IMPORTANT :** Toujours charger les articles acérés (couteaux, brochettes, fourchettes, etc.) avec la lame vers le bas.

- Les petits articles (capsules de biberons, couvercles de bocaux, etc.) peuvent être placés dans n'importe quelle section du panier.
- Il est possible de retirer le panier à couverts pour faciliter le déchargement. Toujours décharger ou enlever le panier à couverts avant de décharger les paniers supérieur et inférieur, pour éviter que de l'eau dégoutte sur les couverts.

### Pour enlever le panier à couverts :

1. Saisir le panier et le glisser vers le haut de la porte.
2. Le soulever hors des boutons de retenue.



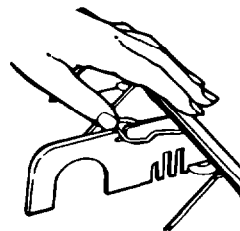
### Pour replacer le panier :

1. Placer le panier sur les boutons de retenue.
2. Glisser le panier vers le bas de la porte jusqu'à ce qu'il se bloque en place.

### Pour ouvrir le panier :

- Débloquer le loquet comme illustré.

**REMARQUE :** S'assurer que le couvercle est complètement enclenché avant de sortir le panier inférieur et avant de fermer la porte du lave-vaisselle.



## Chargement du panier inférieur

Charger dans le panier inférieur les articles sur lesquels des résidus alimentaires ont cuit ou séché; la surface sale doit être orientée vers les jets d'eau.

### Charge mélangée

- Charger assiettes, bols à soupe, etc. entre les tiges du panier en les tournant vers l'arrosage.
- S'assurer que les manches de casserole et autres articles n'arrêtent pas la rotation des bras d'arrosage. Les bras d'arrosage doivent pouvoir tourner librement.
- Charger les articles pour qu'ils ne bloquent pas ni ne couvrent la tour d'arrosage.
- Installer fermement les articles très sales face en dessous dans le panier.
- Ne pas empiler ou chevaucher les pièces de vaisselle. Pour un bon résultat, l'arrosage doit atteindre toutes les surfaces sales.

### Charge d'ustensiles

- Charger les tôles à pâtisserie, moules à gâteaux et autres grands articles sur les côtés et à l'arrière. Le chargement de ces articles vers l'avant peut empêcher l'eau d'atteindre le distributeur de détergent et le panier à couverts.

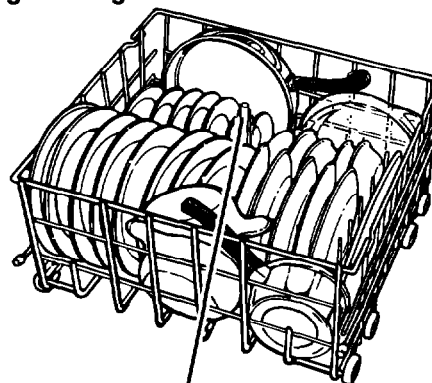
### REMARQUES :

- Ne pas charger de verres, tasses ou articles de plastique dans le panier inférieur.
- Ne pas charger d'articles entre le panier inférieur et la cuve du lave-vaisselle. Ceci peut bloquer l'ouverture de l'arrivée d'eau.
- Si vous avez retiré le panier inférieur pour le décharger ou le nettoyer, le replacer avec les butoirs à l'avant.

### Cloison abaissable (sur certains modèles)

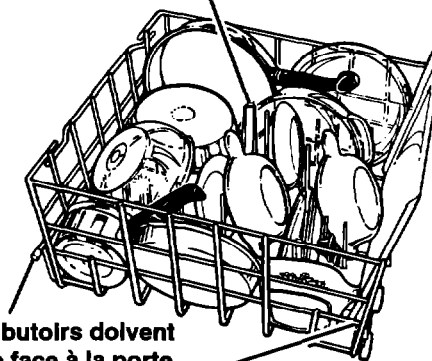
Utiliser la cloison abaissable à l'arrière du panier pour pouvoir placer des bols profonds, rôtissoires, etc.

Charge mélangée

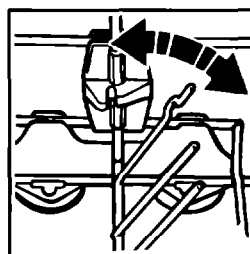


Ne pas couvrir la tour d'arrosage

Charge d'ustensiles



Les butoirs doivent faire face à la porte du lave-vaisselle



## Chargement du panier supérieur

Charger le panier supérieur avec les tasses, les verres et les plus petits articles. Ne pas couvrir le lavage du troisième niveau lors du chargement du panier supérieur.

### Charge de tasses et de verres

- Incliner les articles pour faciliter le nettoyage et l'égouttement.
- Charger les verres dans le panier supérieur seulement. Le panier inférieur n'est pas conçu pour les verres et pourrait les endommager.
- Placer les articles en rangée, **entre** les tiges de support. Ne pas placer sur les tiges; ceci pourrait susciter des dommages.
- Veiller à ce que les articles légers soient fermement en place.
- Veiller à ce que la porcelaine, les objets en cristal et autres articles délicats ne se touchent pas; ceci pourrait susciter des dommages.

Charge de tasses et de verres

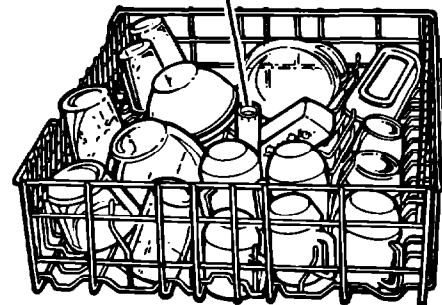


Ne pas couvrir le lavage du troisième niveau

### Charge mélangée

- Petits bols, petites casseroles et autres ustensiles peuvent être placés dans le panier supérieur.
- Charger les articles en plastique dans le panier supérieur seulement. Le plastique peut fondre dans le panier inférieur.
- Ne mettre au lave-vaisselle que les articles de plastique marqués "Lavable au lave-vaisselle" ou l'équivalent.
- Charger les articles en plastique de façon que la force d'arrosage ne les dérange pas pendant le programme.

Charge mélangée

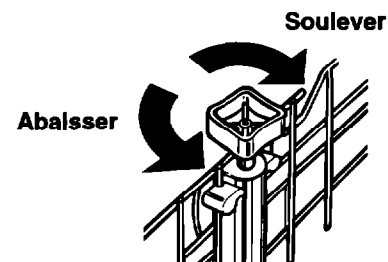


### Panier supérieur réglable à l'infini

(sur certains modèles)

Lever ou abaisser le panier supérieur pour convenir aux articles plus hauts dans le panier supérieur ou inférieur. Il n'est pas nécessaire que le panier supérieur soit à niveau.

- Tourner le bouton dans le sens horaire pour lever un côté du panier.
- Tourner le bouton dans le sens antihoraire pour abaisser un côté du panier.

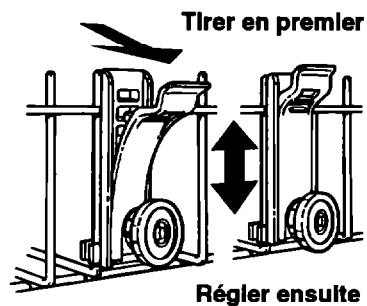


## Panier supérieur réglable à 3 positions

(sur certains modèles)

Vous pouvez lever ou abaisser le panier pour convenir aux articles plus hauts, dans le panier supérieur ou inférieur. Les positions élevées et basses sont marquées sur le régleur du côté vers le centre du lave-vaisselle.

1. Tenir le panier supérieur d'une main près du régleur.
2. Tirer le sommet du régleur vers l'extérieur avec l'autre main.
3. Lever ou abaisser le panier à l'une des positions de réglage.
4. Relâcher le levier de réglage.
5. Répéter les étapes 1 à 4 pour les 3 autres régleurs au besoin. Les quatre régleurs peuvent être levés ou abaissés séparément ou ensemble selon le désir. Le panier supérieur n'a pas nécessairement besoin d'être à niveau.



# Utilisation des distributeurs

Lire les informations ci-dessous pour obtenir les meilleurs résultats de lavage. Il est important d'utiliser correctement les détergents et produits de rinçage.

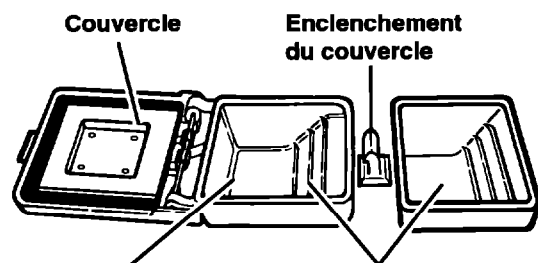
## Utilisation du distributeur de détergent

- **Utiliser du détergent pour lave-vaisselle automatique.** Les autres détergents ne sont pas suffisamment puissants ou font trop de mousse.
- Verser le détergent dans le distributeur juste avant de commencer le lavage.
- Conserver le détergent bien fermé dans un lieu sec et frais. **Pour l'obtention de meilleurs résultats, un détergent à lave-vaisselle automatique frais est meilleur.**

### Remplissage du distributeur de détergent

Le distributeur de détergent comprend une section avec un couvercle, et une section sans couvercle. Rabattre fermement le couvercle pour engager le loquet. Le détergent versé dans la version ouverte tombera dans la cuve du lave-vaisselle lors de la fermeture de la porte. La section avec couvercle s'ouvre automatiquement lors du lavage principal.

**REMARQUE :** Il est normal que le couvercle s'ouvre partiellement lors de la libération du détergent.



**Utiliser seulement la section avec couvercle pour :**  
– Faible énergie/  
Porcelaine

**Utiliser les deux sections pour :**  
– Normal  
– Casseroles

### Quantité de détergent à utiliser

- La quantité de détergent à utiliser dépend de la dureté de l'eau et du type de détergent. Si on utilise trop de détergent, la vaisselle ne sera pas parfaitement lavée. Si on utilise trop de détergent dans une eau douce, la solution attaquera les articles de verre.
- Les détergents de lave-vaisselle de diverses marques contiennent des quantités différentes de phosphore, pour l'adoucissement de l'eau. Lorsqu'on utilise de l'eau dure et un détergent dont la teneur en phosphore est de 6,0 % ou moins, il peut être nécessaire d'utiliser une plus grande quantité de détergent ou de le remplacer par un autre détergent à teneur en phosphore supérieure à 8,7 %.
- Pour déterminer la dureté de l'eau, consultez le service local de distribution d'eau potable ou une entreprise d'adoucissement de l'eau.

TYPE D'EAU	REPLISSAGE	
<b>Dure</b> 8 grains ou plus par gallon 136+ parties par million	Jusqu'au sommet du 3 <sup>e</sup> niveau (3 c. à soupe)	
<b>Dureté moyenne</b> 5 à 7 grains ou plus par gallon 85 à 119 parties par million	Jusqu'au sommet du 2 <sup>e</sup> niveau (2 c. à soupe)	
<b>Eau douce</b> 0 à 4 grains par gallon 0 à 68 parties par million	Jusqu'au sommet du 1 <sup>e</sup> niveau (1 c. à soupe)	

Les quantités indiquées correspondent à l'emploi d'un détergent en poudre standard. La quantité peut varier si on utilise un détergent en poudre concentré ou un détergent liquide. Lors de l'utilisation d'un détergent en poudre concentré ou d'un détergent liquide, procéder conformément aux instructions du fabricant.

## Utilisation du distributeur d'agent de rinçage

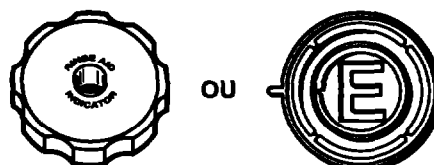
Garder le distributeur d'agent de rinçage rempli d'un agent de rinçage liquide.

**Un agent de rinçage améliore considérablement le séchage de la vaisselle en facilitant l'écoulement de l'eau au cours du dernier rinçage.** Un agent de rinçage empêche également l'eau de former des gouttelettes sur la vaisselle, et de laisser des taches ou traces.

Une petite quantité d'agent de rinçage est automatiquement introduite dans l'eau de rinçage au cours du rinçage final de chaque programme. **Pour obtenir les meilleurs résultats, faire périodiquement le plein du distributeur d'agent de rinçage.**

### Vérification du distributeur :

- Examiner la zone centrale du bouchon, avec l'indicateur. Si l'indicateur est transparent, il faut remplir.
- OU**
- Ôter le bouchon indicateur. Lorsque le distributeur est vide, on voit un "E" au fond du distributeur.



Le centre du bouchon est clair quand le distributeur est vide

Un "E" est visible quand le distributeur est vide

### Remplissage du distributeur :

Le distributeur d'agent de rinçage peut contenir 175 mL (6 onces). Dans des conditions normales d'utilisation, cette quantité est consommée en trois mois environ.

1. Ouvrir complètement la porte du lave-vaisselle.
2. Ôter le bouchon du distributeur d'agent de rinçage.
3. Verser l'agent de rinçage. Remplir seulement jusqu'à l'ouverture la plus petite dans la partie inférieure du distributeur. Un remplissage excessif peut susciter une fuite de l'agent de rinçage. Ceci est sans danger pour le lave-vaisselle, mais peut susciter un moussage excessif.
4. Absorber tout agent de rinçage renversé avec un chiffon humide.
5. Réinstaller le couvercle-indicateur. Bien fermer le couvercle.

**REMARQUE :** Il n'est pas nécessaire d'attendre que le distributeur soit vide avant de le remplir, mais il ne faut pas le remplir excessivement. Ce lave-vaisselle est conçu pour utiliser un agent de rinçage liquide. Il n'est pas nécessaire d'ajouter un agent de rinçage solide ou en barre.



Ne pas remplir au-delà de l'ouverture la plus petite



**Garder le distributeur plein pour obtenir de meilleurs résultats de séchage.**

# Réglage des commandes

Le bon réglage des commandes du lave-vaisselle aide à obtenir les meilleurs résultats possibles de lavage. Cette section indique comment choisir les programmes de lavage et les options.

## Sélection des programmes de lavage.

Appuyer sur une touche de programme. Le lave-vaisselle commence à se remplir lorsqu'on appuie sur une touche de programme à moins de choisir le programme de lavage différé. Vous pouvez appuyer sur les touches d'option alors que la machine se remplit.



PROGRAMME	Un "•" montre ce que chaque programme comprend						DURÉE DU PROGRAMME (Minutes)
	LAVAGE	RINÇAGE	LAVAGE PRINCIPAL	RINÇAGE	RINÇAGE FINAL	SÉCHAGE	
<b>RINÇAGE/LAVAGE DIFFÉRÉ</b>  Pour le rinçage de quelques articles à laver un ou plusieurs jours plus tard. <ul style="list-style-type: none"> <li>• Ne pas utiliser de détergent.</li> <li>• L'eau n'est pas chauffée pendant le rinçage/lavage différé.</li> <li>• L'air sec est automatiquement choisi.</li> </ul>				•	•		12
<b>FAIBLE ÉNERGIE/ PORCELAINE</b>  Un seul lavage pour les charges prérincées ou légèrement sales. <ul style="list-style-type: none"> <li>• Choisir High Temp Wash (lavage à haute temp.) pour chauffer l'eau au cours du lavage principal.</li> <li>• L'eau sera chauffée jusqu'à 60°C (140°F) lors du rinçage final.</li> </ul>			•	•	•	•	60†

† La durée du programme inclut le temps de séchage, qui peut être plus long selon la température de l'eau à l'entrée du lave-vaisselle. Plus la température de l'eau est basse, plus la durée du programme augmente. Si l'eau est suffisamment chaude, la durée du programme correspondra aux valeurs indiquées.

**suite à la page suivante**



# RÉGLAGE DES COMMANDES

PROGRAMME	Un "•" montre ce que chaque programme comprend						DURÉE DU PRO- GRAMME (Minutes)
	LAVAGE	RINÇAGE	LAVAGE PRINCIPAL	RINÇAGE	RINÇAGE FINAL	SÉCHAGE	
<p><b>NORMAL</b></p>  <p>Double lavage pour des charges quotidiennes, normalement sales. (L'étiquette Energy Guide est basée sur ce programme).</p> <ul style="list-style-type: none"> <li>• Choisir High Temp Wash pour chauffer l'eau au cours du lavage principal.</li> <li>• L'eau sera chauffée jusqu'à 60°C (140°F) lors du rinçage final.</li> </ul>	•		•	•	•	•	66†
<p><b>CASSEROLES</b></p>  <p>Double lavage pour nettoyage maximum des ustensiles dans lesquels des aliments ont été cuits.</p> <ul style="list-style-type: none"> <li>• L'eau sera chauffée jusqu'à 60°C (140°F) au cours des deux périodes de lavage.</li> <li>• L'eau sera chauffée jusqu'à 60°C (140°F) lors du rinçage final.</li> </ul>	•	•	•	•	•	•	76†

† La durée du programme inclut le temps de séchage, qui peut être plus long selon la température de l'eau à l'entrée du lave-vaisselle. Plus la température de l'eau est basse, plus la durée du programme augmente. Si l'eau est suffisamment chaude, la durée du programme correspondra aux valeurs indiquées.

## Utilisation de Cancel/Drain

### (Annulation/écoulement)

Appuyer sur Cancel/Drain pour annuler un programme ou pour éteindre tous les indicateurs.



### Pour annuler un programme :

- Appuyer sur Cancel/Drain pendant que le lave-vaisselle fonctionne pour commencer un écoulement de 2 minutes. Il faudra quelques secondes pour la mise en marche de l'écoulement. Si désiré, choisir un nouveau programme. (Voir la section "Changement de réglage de programmes ou d'options".)

- Appuyer de nouveau sur Cancel/Drain pour arrêter l'écoulement immédiatement. Ne pas oublier de vidanger de nouveau le lave-vaisselle avant de commencer un nouveau programme.

**REMARQUE :** Il est normal qu'une petite quantité d'eau reste dans le lave-vaisselle.

### Pour libérer les indicateurs :

Appuyer sur Cancel/Drain avant de mettre le lave-vaisselle en marche pour libérer toutes les sélections de programmes et d'options.

## Sélection d'options de programme

On peut appuyer sur la touche Option après la mise en marche du lave-vaisselle, en autant que le programme n'a pas dépassé le point où cette option sera utilisée. Par exemple, on peut appuyer sur Air Dry (séchage à l'air) à tout moment avant que l'indicateur Drying (Séchage) s'allume.

Après un programme de lavage, le lave-vaisselle se souvient des options utilisées, et il utilise les mêmes options lors du lavage suivant, sauf si on sélectionne de nouvelles options ou si on appuie sur la touche Cancel/Drain.

### Lavage à haute température

Lorsqu'on sélectionne l'option High Temp Wash, le lave-vaisselle chauffe l'eau de lavage au cours de la période de lavage principal des programmes Faible énergie/ Porcelaine et Normal. Le chauffage de l'eau améliore la qualité du lavage. Le programme Pots-N-Pans (Casserolles) utilise automatiquement le lavage à haute température.



### Séchage à l'air

Lorsqu'on sélectionne Air Dry (Séchage à l'air), l'air présent dans le lave-vaisselle n'est pas chauffé au cours de la période de séchage du programme. L'utilisation de la touche Air Dry aide à économiser l'énergie, mais la vaisselle prend plus de temps à sécher et certaines taches peuvent survenir. Certains articles (tels que les plastiques) peuvent avoir besoin d'être essuyés avec un linge. Pour le meilleur séchage, utiliser un agent de rinçage liquide.

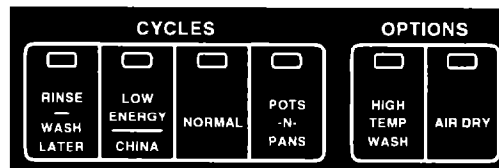
**REMARQUE :** Le lave-vaisselle chauffe automatiquement l'air dans le lave-vaisselle pendant la portion "dry" (séchage) du programme à moins de choisir Air Dry.



## Changement d'un programme ou du réglage d'une option

### Au cours de la première minute d'exécution d'un programme

1. Appuyer sur de nouvelles touches de sélection de programme et/ou option.
2. Examiner les distributeurs de détergent. Il faut qu'ils soient convenablement remplis pour le nouveau programme.



### Après la première minute d'un programme

1. Appuyer sur la touche Cancel/Drain. Une période d'écoulement de 2 minutes commence. Attendre que le programme d'écoulement soit terminé.
2. Appuyer sur une touche pour sélectionner un nouveau programme.
3. Si désiré, appuyer sur une ou plusieurs touches d'option.
4. Examiner les distributeurs de détergent. Il faut qu'ils soient convenablement remplis pour le nouveau programme.

## Addition de vaisselle durant un programme

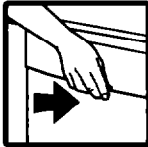
On peut ajouter un article au lave-vaisselle à tout moment avant la période de lavage principale d'un programme.

1. Soulever le loquet de la porte pour arrêter le programme. Attendre que l'action d'arrosage s'arrête avant d'ouvrir la porte.
2. Ouvrir la porte et ajouter l'article.
3. Fermer la porte mais **ne pas** la verrouiller. Attendre 30 secondes pour que l'air dans le lave-vaisselle se réchauffe. Cette action réduit la quantité d'humidité dans le ventilateur lors de la remise en marche d'un programme.
4. Bien fermer la porte jusqu'à ce qu'elle s'enclenche. Le lave-vaisselle recommence le programme.

## Utilisation du programme de lavage différé

On peut retarder de 4 heures la mise en marche du lave-vaisselle pour le faire fonctionner hors des heures de pointe pour réduire l'emploi d'énergie ou pour réduire l'accumulation de chaleur dans la résidence au cours de la journée.

1. Bien fermer et verrouiller la porte.



2. Appuyer sur la touche 4 Hour Delay Start



(mise en marche différée de 4 heures). Le témoin rouge s'allume.

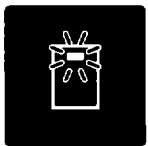
3. Choisir un programme. Le compte à rebours de la période d'attente débute lorsqu'on appuie sur la touche du programme choisi.



Si on n'appuie pas sur une touche de programme au

cours d'une période de 30 secondes, le témoin de la touche de lavage différé s'éteint.

4. Si désiré, appuyer sur une ou plusieurs options. Le témoin lumineux de la touche de mise en marche différée reste illuminé jusqu'au début de l'exécution du programme.



### REMARQUES :

- Appuyer à tout moment sur la touche 4 Hour Delay Start pendant la période de fonctionnement différé pour mettre en marche le lave-vaisselle immédiatement si désiré.



- Appuyer sur Cancel/Drain (annulation/écoulement) pour annuler le programme différé. L'indicateur de mise en marche différée de 4 heures s'éteindra. Appuyer sur les touches des nouveaux programmes et options.



- On peut ajouter de la vaisselle à tout moment au cours du compte à rebours de la période d'attente. Après l'addition d'articles veiller à bien fermer et verrouiller la porte. Le compte à rebours est interrompu lorsque la porte n'est pas verrouillée.

## Compréhension des indicateurs de fonction

### Lock Out (Verrouillage)

La caractéristique Lock Out vous permet de verrouiller la fonction des touches de commande. **Lors de l'utilisation de Verrouillage, on ne peut pas mettre le lave-vaisselle en marche.**



#### Pour utiliser le verrouillage :

- Maintenir la pression sur la touche Air Dry (environ 5 secondes) jusqu'à ce que l'indicateur Lock Out s'allume.



#### Suppression du verrouillage :

- Maintenir la pression sur la touche Air Dry (environ 5 secondes) jusqu'à ce que l'indicateur Lock Out s'éteigne.

### Washing (Lavage)

L'indicateur de lavage s'allume au début du premier remplissage d'un programme quelconque (sauf rinçage/lavage différé). Il reste illuminé jusqu'à la fin de la période de lavage principal.



### Water Heating (Chauffage de l'eau)

L'indicateur Water Heating s'allume chaque fois que l'eau est chauffée au cours d'un programme.



### Rinsing (Rinçage)

L'indicateur Rinsing s'allume pendant les deux derniers rinçages de tous les programmes.



### Drying (Séchage)

L'indicateur Drying s'allume au cours de la période de séchage de chaque programme - même lorsqu'on a sélectionné le séchage à l'air. Il s'éteint à la fin du programme. Si la vaisselle n'est pas aussi sèche que prévu lors de l'emploi de séchage à l'air, accorder des temps de séchage plus longs (une nuit) ou ne pas utiliser Air Dry.



### Clean (Vaisselle propre)

L'indicateur Clean s'allume à la fin du programme pour indiquer que la charge de vaisselle est propre. Tous les autres indicateurs s'éteignent. L'indicateur Clean est illuminé jusqu'à ce qu'on appuie sur la touche Cancel/Drain ou sur toute autre touche de commande.



# Lavage d'articles spéciaux

En cas de doute au sujet de la méthode de lavage d'un article particulier, consulter le fabricant pour déterminer si cet article est lavable au lave-vaisselle.

<b>MATIÈRE</b>	<b>LAVABLE AU LAVE-VAISSELLE</b>	<b>RENSEIGNEMENTS SPÉCIAUX/EXCEPTIONS</b>
<b>Aluminium</b>	<b>Oui</b>	L'eau chaude et les détergents peuvent affecter la finition de l'aluminium anodisé.
<b>Bouteilles et canettes</b>	<b>Non</b>	Laver manuellement les bouteilles et canettes. Les étiquettes peuvent se décoller au cours du lavage et peuvent obstruer les orifices des bras d'arrosage ou la pompe, et réduire la performance de lavage.
<b>Fonte</b>	<b>Non</b>	La patine sera éliminée et la fonte rouillera.
<b>Porcelaine et grès</b>	<b>Oui</b>	Consulter toujours les recommandations du fabricant avant le lavage. La décoration des articles antiques, peints à la main ou l'émaillage peut se détériorer. Les dorures métalliques peuvent se décolorer ou disparaître.
<b>Cristal</b>	<b>Oui</b>	Consulter toujours les recommandations du fabricant avant le lavage. Après plusieurs lavages, la solution de détergent peut attaquer certains types de cristal au plomb.
<b>Or</b>	<b>Non</b>	Décoloration des dorures sur les coutelleries.
<b>Verre</b>	<b>Oui</b>	Jaunissement des verres à lait après des lavages répétés.
<b>Coutellerie à manche creux</b>	<b>Non</b>	Le manche de certains couteaux est fixé à la lame au moyen d'un adhésif qui peut être affecté par le lavage au lave-vaisselle.
<b>Étain</b>	<b>Non</b>	L'eau chaude et les détergents peuvent modifier la couleur et la finition de l'étain.
<b>Plastiques jetables</b>	<b>Non</b>	Ces articles ne peuvent résister aux effets de l'eau chaude et des détergents.
<b>Plastiques</b>	<b>Oui</b>	Consulter toujours les recommandations du fabricant avant le lavage. La résistance des articles de plastique à l'eau chaude et aux détergents est variable. Charger les articles de plastique seulement dans le panier supérieur.

**suite à la page suivante**

## LAVAGE D'ARTICLES SPÉCIAUX

<b>MATIÈRE</b>	<b>LAVABLE AU LAVE-VAISSELLE</b>	<b>RENSEIGNEMENTS SPÉCIAUX/EXCEPTIONS</b>
<b>Acier inoxydable</b>	<b>Oui</b>	Si un lavage complet ne peut être effectué immédiatement, exécuter le programme "Rinçage/Lavage différé". Le contact prolongé de produits alimentaires contenant sel, vinaigre, produits laitiers ou jus de fruit peut endommager la finition.
<b>Argent sterling ou argenterie</b>	<b>Oui</b>	Si un lavage complet ne peut être effectué immédiatement, exécuter le programme "Rinçage/Lavage différé". Le contact prolongé de produits alimentaires contenant sel, acide ou sulfure (oeufs, mayonnaise et produits de la mer) peut endommager la finition.
<b>Fer blanc</b>	<b>Non</b>	Possibilité de rouille.
<b>Articles en bois</b>	<b>Non</b>	Consulter toujours les recommandations du fabricant avant le lavage. Le bois non traité peut se déformer, fendre ou perdre sa finition.

# Entretien du lave-vaisselle

Votre nouveau lave-vaisselle a été conçu pour vous donner de nombreuses années de service fiable. Il y a plusieurs choses que vous pouvez faire pour assurer un bon entretien du lave-vaisselle. On présente dans cette section les méthodes appropriées de nettoyage et d'entretien du lave-vaisselle. Se référer au "Tableau de solution" pour les problèmes de nettoyage spéciaux. Voir les instructions d'installation pour des renseignements sur le remisage de votre lave-vaisselle et pour le nettoyage des conduits d'évacuation.

## Nettoyage des surfaces extérieures

Dans la plupart du cas, l'emploi régulier d'un linge doux et humide ou une éponge et un détergent doux est tout ce qu'il faut pour donner aux surfaces extérieures de votre lave-vaisselle une bonne apparence propre.



---

## Nettoyage des surfaces intérieures

Les composés minéraux de l'eau dure peuvent susciter l'accumulation d'un film blanc sur les surfaces intérieures, surtout juste au-dessous de la zone de la porte.

### Pour nettoyer l'intérieur :

- Verser du détergent en poudre pour lave-vaisselle, sur une éponge humide pour former une pâte.

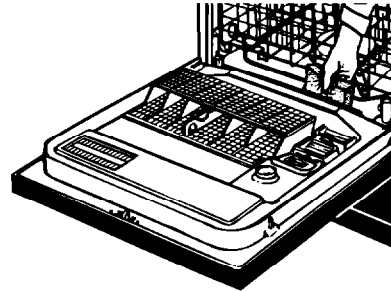
**OU**

- Utiliser un détergent liquide pour lave-vaisselle automatique, et nettoyer avec une éponge humide.

**Ne pas** nettoyer l'intérieur du lave-vaisselle avant qu'il soit refroidi.

Porter des gants de caoutchouc. **Ne pas** utiliser un produit de nettoyage quelconque autre qu'un détergent pour lave-vaisselle, car il pourrait générer une quantité de mousse excessive.

**REMARQUE :** Employer la méthode décrite à la section "Élimination des taches et film" à la section "Solution des problèmes communs aux lave-vaisselle" pour nettoyer votre lave-vaisselle avec du vinaigre blanc. Ne pas oublier qu'il ne faut utiliser cette méthode qu'occasionnellement. Le vinaigre est un acide. Une utilisation excessive de cette méthode peut faire subir des dommages au lave-vaisselle.

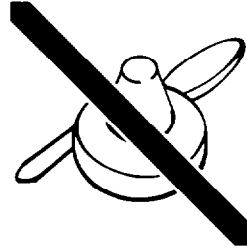




## Protecteur contre le débordement

Le dispositif de protection contre le débordement, dans l'angle avant droit de la cuve du lave-vaisselle, empêche un remplissage excessif du lave-vaisselle. Pour que le lave-vaisselle puisse fonctionner, il faut que ce protecteur soit en place.

Rechercher la présence éventuelle d'objets sous le flotteur, qui pourraient l'empêcher de monter ou de descendre.

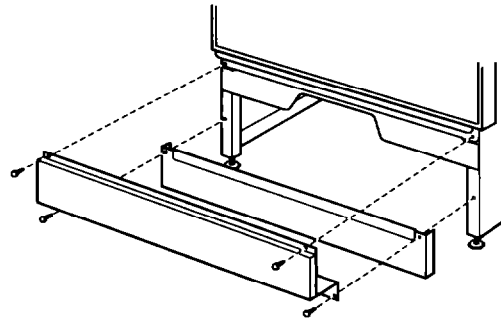


## Remisage du lave-vaisselle

### Déménagement ou hivérisation du lave-vaisselle

Protéger le lave-vaisselle et l'habitation contre les dommages par l'eau, attribuables au gel des conduits d'eau. Si le lave-vaisselle est laissé dans une résidence saisonnière ou risque d'être exposé à des températures près du degré de congélation, faire exécuter les opérations suivantes par une personne qualifiée :

1. Déconnecter la source de courant électrique ou débrancher le lave-vaisselle.
2. Fermer l'arrivée d'eau au lave-vaisselle.
3. Enlever les 4 vis du panneau d'accès inférieur et retirer ce panneau.
4. Placer un récipient de faible profondeur sous la valve d'arrivée d'eau. Puis, utiliser une clé à molette pour déconnecter l'arrivée d'eau de la valve d'approvisionnement d'eau. Séparer l'arrivée d'eau de la valve d'approvisionnement d'eau et vidanger l'eau dans le récipient.
5. Ôter la bride à ressort du conduit d'évacuation d'eau et le séparer de la valve d'arrivée d'eau; vidanger l'eau dans le récipient.
6. Reconnecter les conduits d'arrivée d'eau et d'évacuation d'eau à la valve d'arrivée d'eau.



7. Vider le récipient et le replacer sous la pompe à eau.
8. Ôter la bride et déconnecter le tuyau de vidange de la pompe à eau; vidanger l'eau dans le récipient.
9. Reconnecter le tuyau d'évacuation à la pompe à eau, et s'assurer de placer la bride sur la connexion.
10. Replacer le panneau d'accès inférieur.

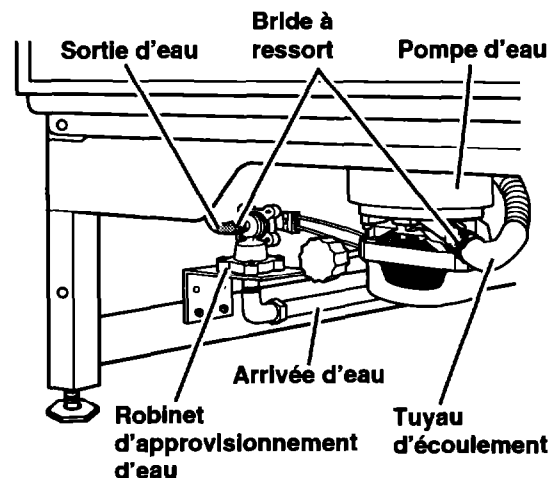
**REMARQUE :** Si le lave-vaisselle est relié à un broyeur, ne pas faire couler l'eau dans l'évier après l'hivernisation. Le tuyau d'évacuation du lave-vaisselle risquerait de se remplir d'eau de nouveau.

## Remise en service du lave-vaisselle après le remisage

1. Enlever les 4 vis du panneau d'accès inférieur et retirer ce panneau.
2. Ouvrir l'approvisionnement d'eau au lave-vaisselle.
3. Réconnecter la source de courant électrique ou brancher le lave-vaisselle.
4. Laisser le lave-vaisselle exécuter un programme complet et vérifier s'il y a des fuites.
5. Replacer le panneau d'accès inférieur.

## Remisage pour l'été

Protéger le lave-vaisselle au cours des mois d'été en fermant l'approvisionnement d'eau et déconnecter le lave-vaisselle de l'alimentation électrique.



# Économie d'énergie

L'économie d'énergie est importante et vous aide aussi à économiser de l'argent. Cette section vous donne des conseils sur les meilleures façons d'économiser de l'énergie avec votre lave-vaisselle.

## Conseils de chargement

- Laver des charges complètes. Faire fonctionner le lave-vaisselle à moitié rempli, emploie la même quantité d'électricité et d'eau chaude qu'un appareil bien rempli.
- Charger correctement le lave-vaisselle pour obtenir les meilleurs résultats. Un chargement incorrect peut causer un lavage médiocre et le besoin de relaver le tout ou une partie de la charge.
- Ne pas préincer la vaisselle normalement sale. Choisir le programme correct pour la charge et utiliser la quantité recommandée de détergent.

---

## Conseils au sujet des programmes et des options

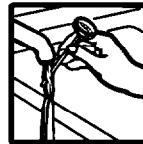
- Utiliser le programme Low Energy/China (Faible énergie/porcelaine) chaque fois que possible. Le programme utilise moins d'eau chaude et d'énergie que le programme normal.
- Faire fonctionner votre lave-vaisselle au cours des heures hors de pointe. Les services locaux publics recommandent d'éviter l'emploi intense d'énergie à certaines heures du jour.
- Ne pas utiliser le réglage High Temp Wash (Lavage à haute température) si cette option n'est pas requise. Lorsque cette option n'est pas employée, si l'eau arrivant dans le lave-vaisselle est au-dessous de 60°C (140°F), le programme ne prend pas de temps additionnel pour réchauffer l'eau durant le lavage principal. Dans certains cas, les charges peuvent ne pas sécher aussi bien si on emploie l'option High Temp Wash.
- Utiliser l'option Air Dry (séchage à l'air) chaque fois que possible. Accorder des temps de séchage prolongés (la nuit). Utiliser un agent de rinçage pour améliorer le séchage.

### Pour vérifier la température de l'eau :

1. Faire couler l'eau chaude au robinet le plus proche du lave-vaisselle. Laisser l'eau couler pendant au moins 1 minute.



2. Tenir un thermomètre à confiserie ou à viande dans le débit d'eau. Si la température de l'eau au robinet est au-dessous de 49°C (120°F), demander à une personne qualifiée de monter le réglage du thermostat du chauffe-eau.



**REMARQUE :** Les charges peuvent ne pas être lavés ou séchés aussi bien si la température de l'eau est trop basse. Pour les meilleurs résultats de lavage de la vaisselle, l'eau doit être au moins à 49°C (120°F) lorsqu'elle pénètre dans le lave-vaisselle.

# Solutions des problèmes communs des lave-vaisselle

Voici une liste pratique pour traiter des problèmes mineurs de rendement. Étudier cette liste avant de contacter le service de dépannage. S'il n'est pas possible de résoudre le problème, voir les renseignements concernant le service.

## Tableau de solution

PROBLÈME	CAUSE	SOLUTION
<b>Résidus alimentaires sur la vaisselle</b>	Chargement incorrect	Suivre les instructions de chargement.
	Température de l'eau insuffisante	Utiliser l'option High Temp Wash. Si nécessaire, augmenter la chaleur du chauffe-eau de la maison pour s'assurer que l'eau qui pénètre dans le lave-vaisselle est au moins à 49°C (120°F). Voir "Pour vérifier la température de l'eau". <b>REMARQUE :</b> Dans certains cas, les charges peuvent ne pas sécher aussi bien lorsqu'on emploie High Temp Wash (Lavage à haute température).
	Utilisation d'un détergent incorrect ou inefficace, ou de quantité insuffisante	Utiliser uniquement un détergent recommandé pour les lave-vaisselle. Voir "Utilisation des distributeurs". Ne jamais utiliser moins d'une cuillerée à soupe par charge. Pour qu'il soit efficace, le détergent doit être frais. Toujours garder le détergent en un lieu frais et sec et dans un récipient étanche.
	Agglomération du détergent dans le distributeur	Utiliser seulement du détergent frais. Ne pas laisser le détergent séjourner plusieurs heures dans un distributeur humide. Inspecter les distributeurs de détergent pour noter une agglomération éventuelle. Nettoyer le distributeur lorsqu'il s'y trouve des détergents agglomérés.
	Remplissage insuffisant dû à une basse pression d'eau	La pression d'alimentation d'eau du lave-vaisselle doit être de 138 à 838 kPa (20 à 120 lb/po <sup>2</sup> ) pour que le lave-vaisselle se remplisse correctement. Si la pression est trop basse, il peut être nécessaire d'installer une pompe de surpression.
	Ralentissement de la rotation des bras d'arrosage à cause d'une mousse surabondante	Ne jamais utiliser de savons ou détergents à lessive. Utiliser uniquement les détergents recommandés pour les lave-vaisselle.

suite à la page suivante

27

<b>PROBLÈME</b>	<b>CAUSE</b>	<b>SOLUTION</b>
<b>Taches et films sur la vaisselle</b>	Eau dure ou concentration élevée de minéraux dans l'eau	Utiliser un agent de rinçage pour aider à empêcher les taches et les films sur la vaisselle. Voir "Chargement du lave-vaisselle". Pour enlever le film causé par l'eau dure, voir "Élimination des taches et films" à la fin de cette section.
	Température de l'eau insuffisante	Utiliser l'option High Temp Wash. Si nécessaire, régler le chauffe-eau pour une température plus élevée pour s'assurer que l'eau qui pénètre dans le lave-vaisselle est à au moins 49°C (120°F). Voir "Pour vérifier la température de l'eau". <b>REMARQUE</b> : Dans certains cas, les charges peuvent ne pas sécher aussi bien lorsqu'on emploie l'option High Temp Wash.
	Utilisation d'un détergent incorrect	Utiliser uniquement un détergent recommandé pour les lave-vaisselle.
	Quantité incorrecte de détergent	Voir "Utilisation des distributeurs". En cas de vaisselle très sale et/ou d'eau dure, une quantité supplémentaire de détergent est généralement nécessaire.
	Utilisation d'un détergent inefficace	Utiliser du détergent frais. Remiser le détergent en un lieu frais et sec, dans un contenant étanche. Jeter tout détergent aggloméré.
	Remplissage insuffisant dû à une basse pression d'eau	La pression d'alimentation d'eau du lave-vaisselle doit être de 138 à 838 kPa (20 à 120 lb/po <sup>2</sup> ) pour que le lave-vaisselle se remplisse correctement. Si la pression est trop basse, il peut être nécessaire d'installer une pompe de surpression.
<b>Durée très longue d'exécution du programme</b>	Température de l'eau insuffisante	Si nécessaire, régler le chauffe-eau pour une température plus élevée, pour que le lave-vaisselle soit alimenté par de l'eau à au moins 49°C (120°F). Voir "Pour déterminer la température".
	Mauvaise installation du lave-vaisselle	Les lave-vaisselle encastrés exigent un encastrement adéquat pour bien fonctionner. Voir Instructions d'installation pour des renseignements complets.
<b>La vaisselle ne sèche pas complètement</b>	L'eau ne s'égoutte pas convenablement dans la vaisselle	Il faut que l'eau puisse s'écouler convenablement de la vaisselle. Ne pas trop charger le lave-vaisselle. Voir "Chargement du lave-vaisselle". Utiliser un agent de rinçage liquide pour accélérer l'écoulement.
	Articles en plastique	Il peut être nécessaire d'essuyer certains articles en plastique à cause du matériau.

<b>PROBLÈME</b>	<b>CAUSE</b>	<b>SOLUTION</b>
<b>Film de silice ou attaque superficielle</b> (le film de silice est un dépôt irisé blanc; l'attaque superficielle est un film trouble)	Réaction chimique de l'eau avec certains types de verre, généralement causée par une combinaison de facteurs comme eau douce ou adoucie, solutions de lavage alcalines, rinçage insuffisant, chargement excessif du lave-vaisselle et application de chaleur lors du séchage.	Il peut être impossible d'empêcher le problème, sauf par lavage à la main. Pour ralentir ce processus, utiliser la quantité minimale de détergent, mais pas moins d'une cuillerée à soupe par charge. Utiliser un agent de rinçage liquide et ne pas trop charger le lave-vaisselle pour permettre un rinçage parfait. Les effets du film de silice et de l'attaque superficielle sont permanents et ne peuvent pas être éliminés. Utiliser l'option de séchage à l'air.
<b>Marques noires ou grises sur la vaisselle</b>	Vaisselle touchée par des articles en aluminium	Les articles en aluminium doivent être chargés de telle manière qu'ils ne se frottent pas contre d'autres articles au cours du lavage. Ne pas mettre au lave-vaisselle des articles en aluminium jetables parce qu'ils peuvent se briser et marquer d'autres articles. On peut éliminer les marques d'aluminium à l'aide d'un produit de nettoyage légèrement abrasif.
<b>Taches blanches sur les ustensiles à revêtement antiadhésif</b>	Le revêtement a été éliminé par les détergents du lave-vaisselle	Former un nouveau revêtement sur les ustensiles après le lavage au lave-vaisselle.
<b>Taches brunes sur la vaisselle et à l'intérieur du lave-vaisselle</b>	Concentration élevée en fer de l'eau de lavage	Pour éliminer ces marques (après avoir enlevé les résidus alimentaires), ajouter 1 c. à thé à 1 c. à soupe de cristaux d'acide citrique dans la section à couvercle du distributeur de détergent. Ne pas utiliser de détergent. Exécuter ensuite un programme Low Energy/China et du détergent. Si ce traitement est nécessaire plus souvent que tous les deux mois, on recommande l'installation d'un dispositif d'élimination du fer.

**sulte à la page suivante**

PROBLÈME	CAUSE	SOLUTION
<b>Taches de couleur orange à l'intérieur du lave-vaisselle</b>	Quantité importante de résidus d'aliments à base de tomates sur la vaisselle placée dans le lave-vaisselle	Les taches n'affecteront pas le rendement du lave-vaisselle et elles disparaîtront graduellement au cours du temps. L'utilisation régulière de Rinse/Wash Later (Rinçage/Lavage différé) réduit le risque de taches. Si l'air est chauffé à l'intérieur du lave-vaisselle pendant la période de séchage du programme, les taches peuvent disparaître plus lentement que si l'on choisit l'option Air Dry (Séchage à l'air).
<b>Odeur dans le lave-vaisselle</b>	La vaisselle n'est lavée qu'à tous les deux ou trois jours.	Utiliser le programme Rinse/Wash Later (Rinçage/Lavage différé) au moins une ou deux fois par jour jusqu'à ce qu'une charge complète ait été accumulée.
<b>Écaillage de la vaisselle</b>	Chargement incorrect	Charger les plats et verres de telle manière qu'ils soient stables et qu'ils ne se heurtent pas mutuellement sous l'effet du lavage. Manipuler lentement les paniers sur la glissière pour minimiser les chocs. <b>REMARQUE :</b> Certains types de porcelaine et de verrerie sont trop délicats pour le lavage au lave-vaisselle automatique, et ils devraient donc être lavés à la main; par exemple, les objets antiques, les articles de cristal minces et autres articles semblables.)

## Élimination des taches et film

Maintenir le distributeur d'agent de rinçage rempli d'un agent de rinçage liquide. Un agent de rinçage empêche l'eau de former des gouttelettes sur la vaisselle et de laisser des taches ou traces après le séchage.



Pour éliminer des taches et films laissés sur les plats et les verres, ou pour éliminer à l'intérieur du lave-vaisselle une accumulation de résidus minéraux provenant de l'eau dure, on peut utiliser du vinaigre blanc conformément à la méthode suivante:

1. Charger les assiettes et verres propres dans le lave-vaisselle. Ne pas charger d'argenterie ou autres articles métalliques dans le lave-vaisselle.

- Placer à l'endroit sur le panier inférieur, un verre ou une tasse à mesurer allant au lave-vaisselle et contenant 2 tasses de vinaigre de cuisine.
- Fermer et verrouiller la porte.
- Sélectionner le programme de lavage Normal et l'option Air Dry (séchage à l'air). Ne pas utiliser de détergent. Laisser le lave-vaisselle exécuter le programme complet.

**REMARQUE :** On ne doit utiliser cette méthode de nettoyage qu'occasionnellement. Le vinaigre est un acide. L'utilisation trop fréquente de cette méthode peut faire subir des dommages au lave-vaisselle.

# Diagnostic

Avant de faire un appel pour assistance, veuillez vérifier le tableau suivant pour les problèmes que vous pouvez résoudre. Cette action pourrait vous faire économiser le coût d'une visite par un technicien.

## Problèmes du lave-vaisselle

PROBLÈME	VÉRIFIER CE QUI SUIV
<b>Le lave-vaisselle ne fonctionne pas ou s'arrête au cours d'un programme</b>	<p>La porte est-elle bien fermée et verrouillée?</p> <p>Le programme approprié a-t-il été sélectionné?</p> <p>Un fusible est-il grillé ou le disjoncteur est-il ouvert?</p> <p>Si le moteur s'est arrêté à cause d'une charge excessive, il se remet en marche automatiquement après quelques minutes. S'il ne se remet pas en marche, faire un appel de service.</p> <p>Le conduit d'arrivée d'eau est-il ouvert?</p> <p>Le lave-vaisselle est-il raccordé à un circuit électrique de tension appropriée?</p>
<b>Le lave-vaisselle fonctionne trop longtemps</b>	<p>Les durées de programmes dépendent de la température de l'eau qui arrive dans le lave-vaisselle. Une eau plus froide peut causer des durées plus longues des programmes.</p> <p>Les lave-vaisselle encastrés demandent un encastrement adéquat pour un bon fonctionnement. Voir Instructions d'installation pour des renseignements complets.</p>
<b>Le lave-vaisselle ne se remplit pas</b>	<p>Le flotteur de protection contre le débordement est-il bloqué à la position la plus élevée? Il faut que le flotteur puisse se déplacer librement de haut en bas. Appuyer dessus pour le libérer.</p>
<b>Résidu d'eau dans le lave-vaisselle</b>	<p>Attendre la fin du programme. Il est normal qu'il reste un petit résidu d'eau.</p> <p>Examiner le brise-siphon s'il y en a un. S'il est obstrué, voir les instructions de nettoyage du fabricant.</p>
<b>Résidu de détergent dans la section couverte du distributeur</b>	<p>Le programme a-t-il été complété?</p> <p>Un détergent frais, sec et sans agglomération a-t-il été employé? Voir "Utilisation des distributeurs".</p> <p>Le panier inférieur a-t-il été installé dans le mauvais sens?</p> <p>Les butoirs du panier doivent être orientés vers la porte du lave-vaisselle.</p>
<b>La vaisselle n'est pas aussi sèche que prévue</b>	<p>Le distributeur d'agent de rinçage est-il vide? L'utilisation d'un agent de rinçage améliore grandement le séchage.</p> <p>Ne pas utiliser l'option Air Dry (séchage à l'air) lors de la prochaine charge.</p>

suite à la page suivante



<b>PROBLÈME</b>	<b>VÉRIFIER CE QUI SUI</b>
<b>Son de broyage, râpage ou bourdonnement</b>	Existe-t-il la présence d'un objet dur dans le module POWER CLEAN*? Le son devrait disparaître lorsque l'objet est amené à la surface.
<b>Apparition d'un résidu blanc à l'avant du panneau d'accès</b>	Une trop grande quantité de détergent a-t-elle été utilisée? Voir "Utilisation des distributeurs" pour les quantités recommandées de détergent. Certains détergents liquides produisent une mousse surabondante et une accumulation sur le panneau d'accès. Essayer d'utiliser une différente marque pour réduire la mousse et éliminer l'accumulation.
<b>Le tableau de commande ne répond pas lorsqu'on appule sur les touches</b>	La caractéristique de verrouillage du panneau de commande est-elle en fonction? Voir "Réglage des commandes". La porte est-elle bien fermée et bien verrouillée?
<b>Le lave-vaisselle se vide après avoir éteint les Indicateurs</b>	Avez-vous appuyé accidentellement sur la touche Cancel/Drain (Annulation/Écoulement) deux fois? Appuyer de nouveau sur la touche Cancel/Drain pour arrêter l'écoulement.
<b>Le lave-vaisselle ne se ferme pas</b>	Le panier inférieur est-il dans le mauvais sens? Les butoirs du panier doivent être orientées vers la porte du lave-vaisselle.

# Demande d'assistance ou de service

Avant de faire un appel pour assistance ou service, veuillez vérifier la section "Diagnostic". Cette action peut vous faire économiser le coût d'un appel de service. Si vous avez encore besoin d'assistance, suivre les instructions ci-dessous.

## Si vous avez besoin d'assistance ou de service au Canada :

### 1. Si le problème n'est pas attribuable à l'une des causes indiquées dans "Diagnostic"<sup>†</sup> ...

Communiquer avec le marchand où vous avez acheté votre appareil électroménager, ou téléphoner à Inglis Limitée au Centre d'assistance aux consommateurs, sans frais d'interurbain, entre 8 h 30 et 18 h 00 (HNE), en composant 1-800-461-5681.



### 2. Si vous avez besoin de service<sup>†</sup> ...

Communiquer avec votre succursale ou établissement de service autorisé de Inglis Limitée la plus proche pour l'entretien de votre appareil. (Voir liste ci-dessous.)

<sup>†</sup> Lorsque vous demandez de l'assistance ou un service, veuillez fournir une description détaillée du problème, les numéros complets du modèle et de série de l'appareil, et la date d'achat. (Voir la section "Note à l'intention de l'utilisateur.") Ces renseignements nous aideront à mieux répondre à votre demande.

## Service d'appareils ménagers Inglis Limitée – Service aux consommateurs

### Succursales de service direct :

<b>COLOMBIE-BRITANNIQUE</b>		1-800-665-6788
<b>ALBERTA</b>		1-800-661-6291
<b>ONTARIO</b> (à l'exception du code régional 807)	Région d'Ottawa En dehors de la région d'Ottawa	1-800-267-3456 1-800-807-6777
<b>MANITOBA, SASKATCHEWAN</b> et code régional 807 en ONTARIO		1-800-665-1683
<b>QUÉBEC</b>	Montréal (à l'exception de la rive sud) Rive Sud Montréal Québec Sherbrooke	1-800-361-3032 1-800-361-0950 1-800-463-1523 1-800-567-6966
<b>PROVINCES DE L'ATLANTIQUE</b>		1-800-565-1598

## Pour plus d'assistance

Si vous avez besoin de plus d'assistance, vous pouvez écrire à Inglis Limitée en soumettant toute question ou préoccupation au :

Service des relations avec la clientèle  
Inglis Limitée  
1901 Minnesota Court  
Mississauga, Ontario L5N 3A7

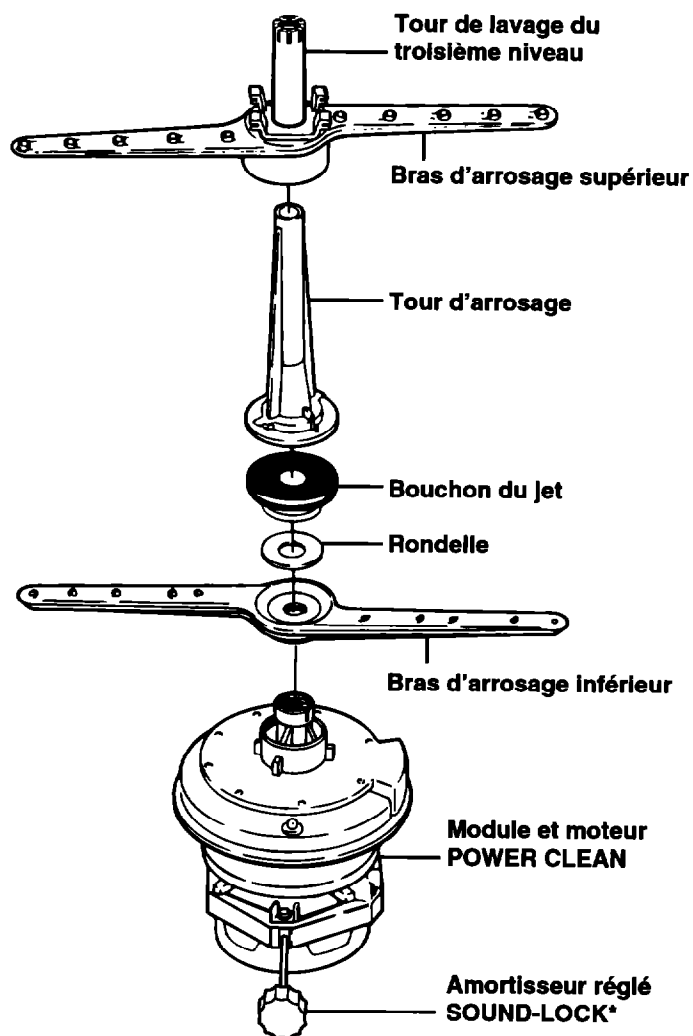
Veuillez indiquer dans votre correspondance un numéro de téléphone où l'on peut vous joindre le jour.

# Index

Cet index est alphabétique. Rechercher le mot ou la phrase désirée pour identifier la page où on l'y trouve.

<b>SUJET</b>	<b>PAGE</b>	<b>SUJET</b>	<b>PAGE</b>
AGENT DE RINÇAGE		GARANTIE .....	38
Utilisation .....	14	INDICATEURS DE FONCTION .....	20
ARTICLES SPÉCIAUX		NETTOYAGE	
Conseils pour le lavage .....	21	Extérieur .....	23
CARACTÉRISTIQUES ET PIÈCES .....	5	Intérieur .....	23
CHARGEMENT		OPTIONS .....	17
Panier à couverts .....	9	PANIER À COUVERTS .....	9
Panier inférieur .....	10	PANIER INFÉRIEUR .....	10
Panier supérieur .....	11	PANIER SUPÉRIEUR .....	11
Préparation du chargement .....	8	Chargement .....	11
DÉTERGENT		Réglage .....	11
Conseils .....	13	PIÈCES ET CARACTÉRISTIQUES .....	5
Tableau d'utilisation .....	13	PROBLÈMES COMMUNS DE	
DIAGNOSTIC .....	31 et 32	LAVE-VAISSELLE	
DISTRIBUTEUR		Solutions .....	27 à 30
Agent de rinçage .....	14	PROGRAMMES	
Détergent .....	13	Annulation .....	17
EAU		Sélection .....	17
Réglage de la température .....	26	PROTECTEUR CONTRE LE	
Indicateur de chauffage .....	20	DÉBORDEMENT .....	24
ÉNERGIE		RESPONSABILITÉS	
Économie .....	26	Propriétaire .....	2
FILM/TACHES		SÉCURITÉ .....	3 et 4
Élimination .....	30	SERVICE	
FONCTIONNEMENT DU LAVE-VAISSELLE		Demande (Canada) .....	33
Addition de vaisselle durant		Pièces (au Canada) .....	33
un programme .....	18	TACHES/FILM	
Arrêt .....	7	Élimination .....	30
Changement d'un programme .....	18		
Mise en marche .....	7		

## Pièces du système de lavage POWER CLEAN\* couvertes par votre garantie



# WHIRLPOOL\*

## Garantie du lave-vaisselle

DURÉE DE LA GARANTIE	WHIRLPOOL PAIERA POUR
<b>GARANTIE COMPLÈTE D'UN AN</b> À COMPTER DE LA DATE D'ACHAT	Les pièces de rechange FSP* et la main-d'oeuvre pour corriger les vices de matériaux ou de fabrication. Les réparations doivent être effectuées par un établissement de service autorisé Whirlpool.
<b>GARANTIE LIMITÉE D'UN AN</b> DE LA DEUXIÈME ANNÉE À COMPTER DE LA DATE D'ACHAT	Les pièces de rechange FSP pour toute pièce du système de lavage POWER CLEAN* si les matériaux ou la fabrication sont défectueux. Ces pièces sont illustrées à la page 35 de ce livret.
<b>GARANTIE LIMITÉE DE QUATRE ANS</b> DE LA DEUXIÈME ANNÉE À LA CINQUIÈME ANNÉE INCLUSIVEMENT À COMPTER DE LA DATE D'ACHAT	Les pièces de rechange FSP du système de réglage électronique si les matériaux ou la fabrication sont défectueux.  Pour les modèles avec panier à vaisselle qui sont de la couleur d'huître, les pièces de rechange FSP pour les paniers supérieur et/ou inférieur s'ils rouillent à cause de matériaux défectueux ou de fabrication défectueuse.
<b>GARANTIE COMPLÈTE DE VINGT ANS</b> À COMPTER DE LA DATE D'ACHAT	Les pièces de rechange FSP et la main-d'oeuvre pour la cuve DURAPERM* et/ou la contre-porte si elle cause des fuites d'eau à cause de matériaux défectueux ou de main-d'oeuvre. Le service doit être exécuté par une compagnie de service autorisée Whirlpool.
<b>WHIRLPOOL NE PAIERA PAS POUR</b>	
<p><b>A.</b> Les appels de visite pour :</p> <ol style="list-style-type: none"> <li>1. Rectifier l'installation du lave-vaisselle.</li> <li>2. Donner des instructions concernant l'utilisation du lave-vaisselle.</li> <li>3. Remplacer les fusibles ou rectifier l'installation électrique ou la plomberie.</li> </ol> <p><b>B.</b> Les réparations lorsque le lave-vaisselle est utilisé à des fins autres que domestiques et normales pour une seule famille.</p> <p><b>C.</b> L'enlèvement et la livraison de l'appareil. Ce produit est conçu pour être réparé à domicile.</p> <p><b>D.</b> Dommages au lave-vaisselle causés par un accident, mauvais usage, incendie, inondation, acte naturel, ou utilisation de produit non approuvé par Whirlpool.</p> <p><b>E.</b> Tous les frais de main-d'oeuvre pendant la période des garanties limitées.</p> <p><b>F.</b> Les réparations aux pièces ou systèmes causées par des modifications non autorisées apportées à l'appareil.</p> <p><b>G.</b> Au Canada, Les frais de voyage ou de transport pour les clients habitant dans des endroits éloignés.</p>	

1/97

**CETTE APPAREIL EST GARANTIE PAR WHIRLPOOL CORPORATION. WHIRLPOOL CORPORATION N'ASSUME AUCUNE RESPONSABILITÉ POUR LES DOMMAGES ACCIDENTELS OU INDIRECTS.**

Cette garantie vous donne certains droits juridiques et vous pouvez également jouir d'autres droits qui peuvent varier d'une province à l'autre.

**En dehors du Canada, une garantie différente peuvent appliquer. Pour obtenir les détails, veuillez contacter votre marchand Whirlpool autorisé.**

Si vous avez besoin de service, voir d'abord la rubrique "Demande d'assistance ou de service" de ce guide. Après avoir vérifié la rubrique "Demande d'assistance ou de service", voir "Succursales de service direct" à la page 33 pour le succursale de service direct le plus proche.

**3376837**

© 1997 Whirlpool Corporation

\* Marque déposée de Whirlpool, U.S.A., Inglis Limitée porteur de licence au Canada

5/97  
Imprimé aux É.-U.

## Free Manuals Download Website

<http://myh66.com>

<http://usermanuals.us>

<http://www.somanuals.com>

<http://www.4manuals.cc>

<http://www.manual-lib.com>

<http://www.404manual.com>

<http://www.luxmanual.com>

<http://aubethermostatmanual.com>

Golf course search by state

<http://golfingnear.com>

Email search by domain

<http://emailbydomain.com>

Auto manuals search

<http://auto.somanuals.com>

TV manuals search

<http://tv.somanuals.com>