

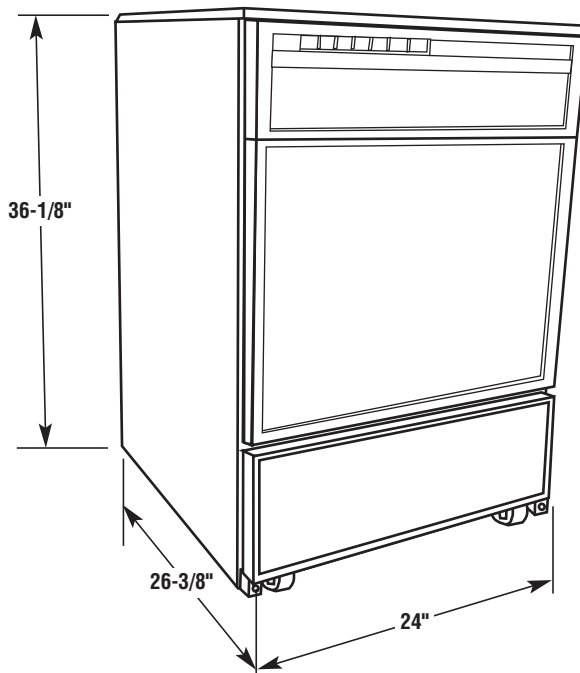
**PRODUCT MODEL NUMBERS**

DP840SWP      DP940PWP  
DP840SWS      DP940PWS

**Electrical:** 120-volt, 60 Hz, AC-only, 15 or 20 amp. electrical supply with mating grounded outlet. A time-delay fuse or circuit breaker and separate circuit is recommended.

**Water:** Hot water faucet or hot and cold single-spout water faucet within 30 inches (76.2 cm) of the back of dishwasher with 20-120 psi (138-862 kPa) water pressure.

**Drain:** Use a sink or laundry tub that can drain water at a minimum carry-away capacity of 7 gallons (26 liters) per minute. Top of sink or laundry tub at least 27 inches (68.6 cm) high and not higher than 48 inches (122 cm) from the bottom of dishwasher.



## Free Manuals Download Website

<http://myh66.com>

<http://usermanuals.us>

<http://www.somanuals.com>

<http://www.4manuals.cc>

<http://www.manual-lib.com>

<http://www.404manual.com>

<http://www.luxmanual.com>

<http://aubethermostatmanual.com>

Golf course search by state

<http://golfingnear.com>

Email search by domain

<http://emailbydomain.com>

Auto manuals search

<http://auto.somanuals.com>

TV manuals search

<http://tv.somanuals.com>