

**PARTS
LIST
FOR**

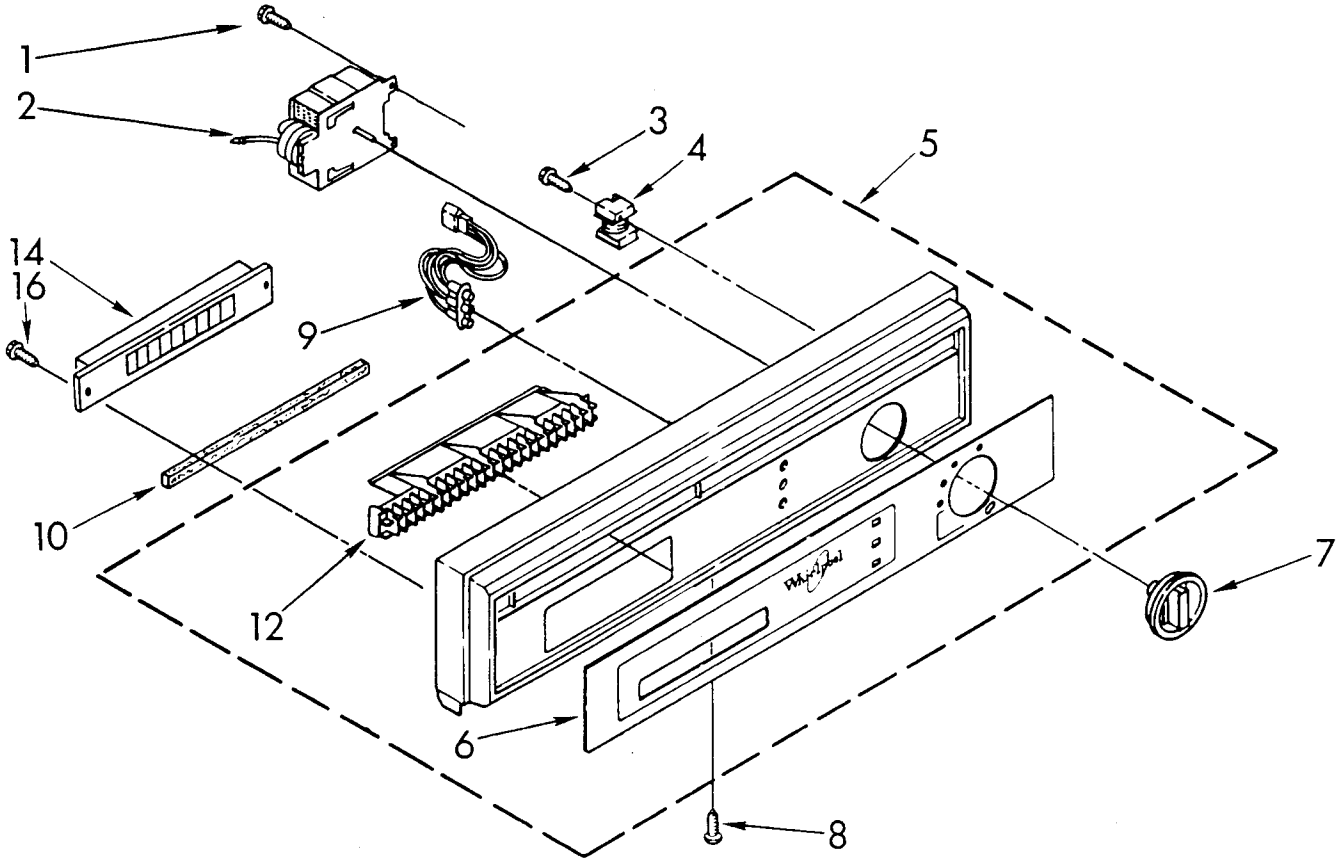


**MODEL
DP8700XTN0**

White, Superior Black,
Almond, Golden Harvest,
Toast, Platinum

PORTABLE DISHWASHER

CONSOLE PARTS



4-90 Litho in U.S.A.

Whirlpool CORPORATION

Benton Harbor, Michigan.

© 1988, 1990 WHIRLPOOL CORPORATION

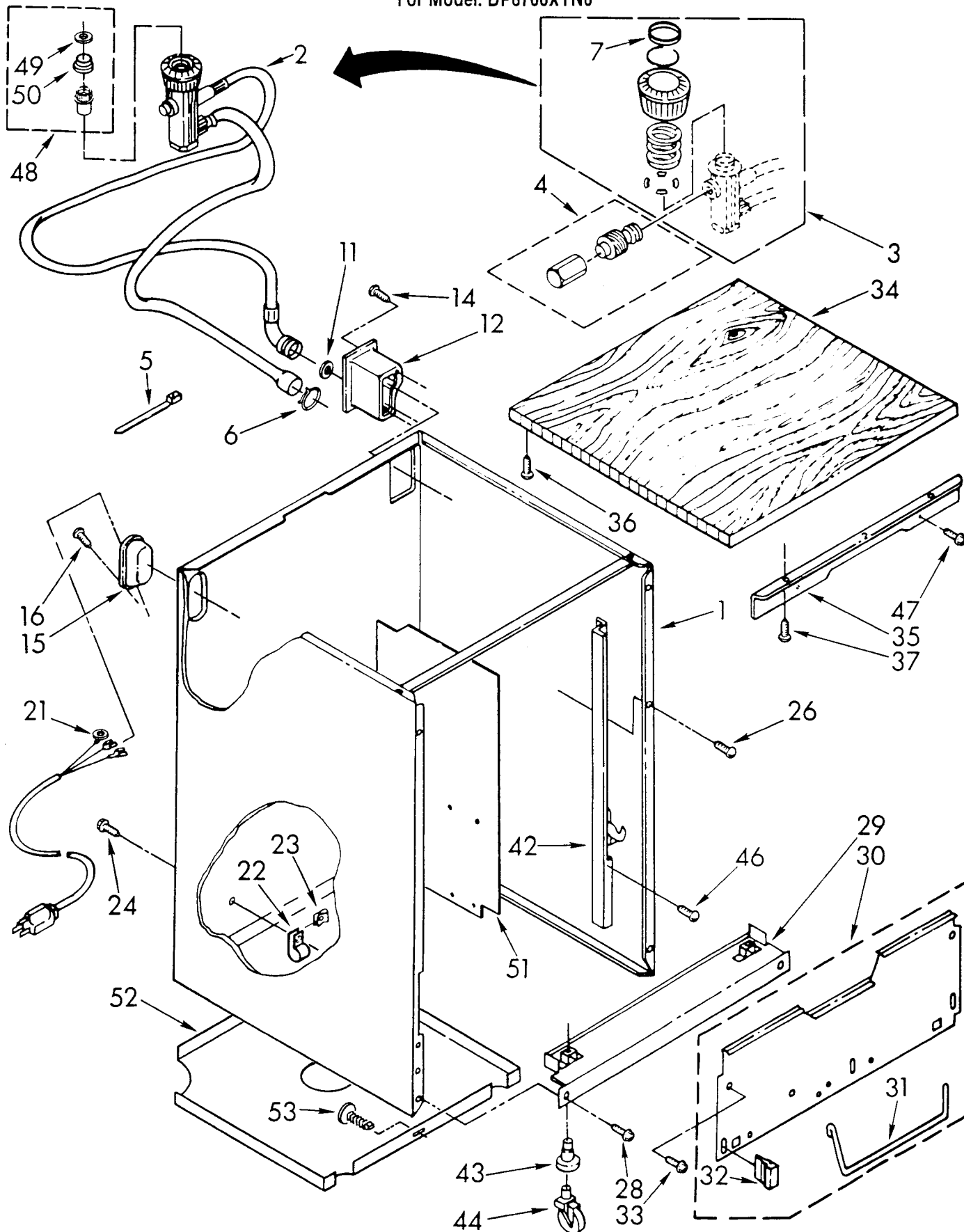


Part No. 3367772 Rev. A

1	304231	Screw, 8-16 x 1/2 Slot Hex Wash Hd (3)
2	3367796	Timer
3	304232	Screw, 7-18 x 1-3/8 Slot Hex Wash Hd
4	304409	Relay, Start
5	3367886	Console
6	3367841	Insert, Decorative
7	3367282	Knob, Timer
8	304234	Screw, 8-18 x 1/2 Hi-Lo (2)
9	304422	Light, Indicator (For Electrical Connector Only, See Wiring Harness Page).
10	719860	Baffle
12	304602	Grill, Vent
13	301074	Motor, Timer
14	3367741	Switch Pushbutton
16	304231	Screw, 8-16 x 1/2 Slot Hex Wash Hd (2)

CABINET PARTS

For Model: DP8700XTN0

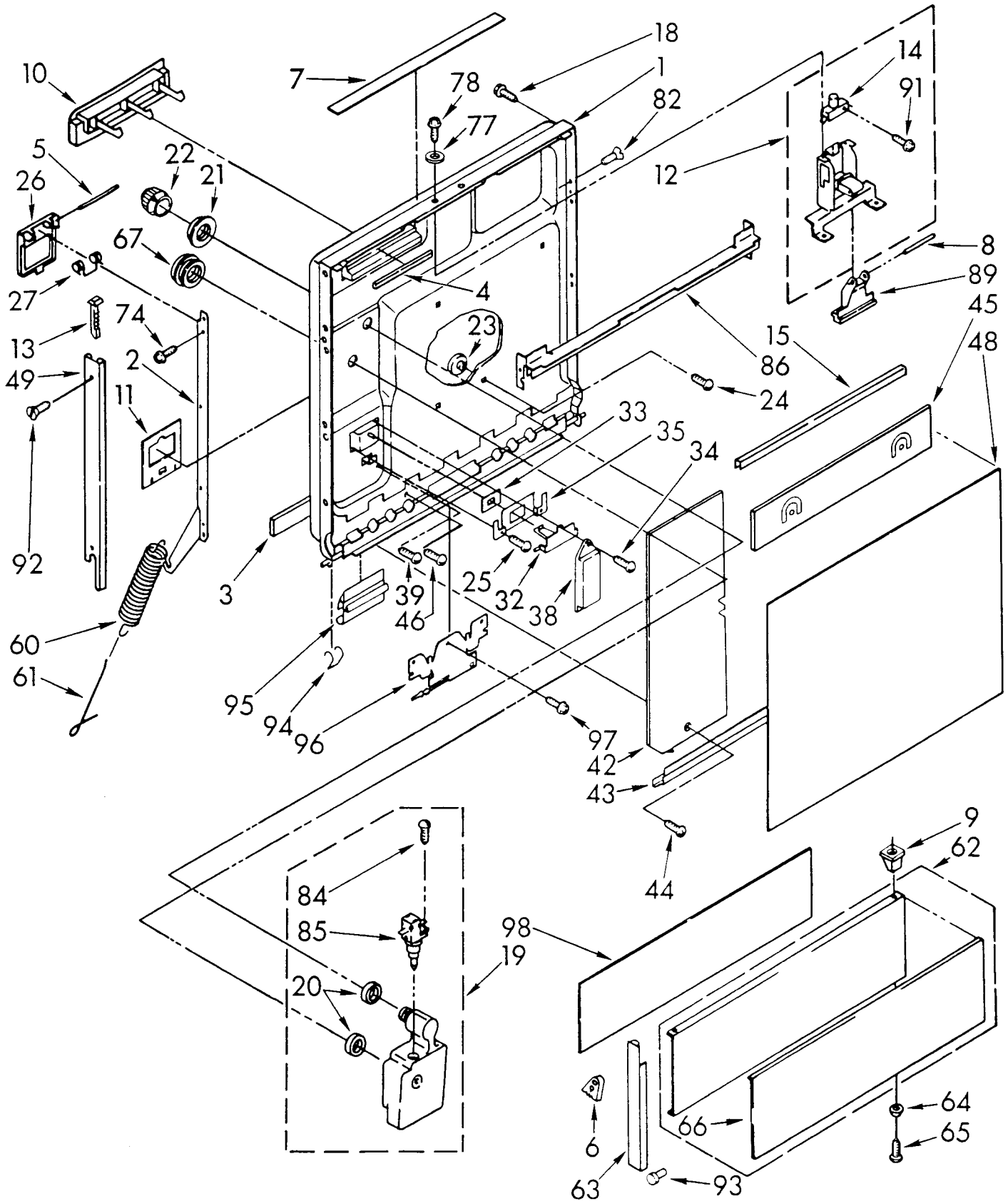


FOR ORDERING INFORMATION REFER TO PARTS PRICE LIST

1	302898	Shell Assembly (Almond)
	303090	Screw, 8-18 x 5/8
2	302902	Coupler Assembly
3	285170	Collar Kit, Faucet Coupler
4	285171	Valve, Pressure Relief
5	596490	Clip, Strap
6	719953	Clamp, Hose
7	711696	Seal
11	16123	Washer
12	302891	Housing, Hose
14	339493	Screw, 8-18 x 1/2 (1)
15	716234	Housing, Cord
16	339493	Screw (2)
21	303651	Cord, Power
22	596553	Clamp, Strain Relief
23	717337	Nut, J-Type
24	9418000	Screw, 8-18 x 1/2
26	339493	Screw, 8-18 x 1/2 (2)
28	300890	Screw, Tapping (4)
29	3368426	Toeplate Assembly (Includes Illus. 43)
30	719091	Plate, Cover
31	719093	Bar, Torsion R.H.
	719094	Bar, Torsion L.H.
32	719235	Bumper, Rubber
33	302868	Screw, Tapping (4)
34	304598	Panel, Top
35	302250	Trim, Front
36	304428	Screw (2)
37	9418000	Screw, 8-18 x 1/2 (3)
42	3367438	Leg Assembly, L.H.
	3367436	Leg Assembly, R.H.
43		Socket, Caster
	300450	Alternate
	717588	Alternate
44		Caster
	718534	Alternate
	300424	Alternate
46	90767	Screw, 8A x 3/8 Hex Head Ground (3)
47	3367953	Screw, 8-18 x 5/8 (2)
48	713750	Adapter, Faucet
49	713747	Washer
50	713748	Bushing
51	301543	Barrier, Hose
52	3368410	Sound Shield, Quiet Pack
53	3368411	Retainer

DOOR PARTS

For Model: DP8700XTN0



FOR ORDERING INFORMATION REFER TO PARTS PRICE LIST

3367772

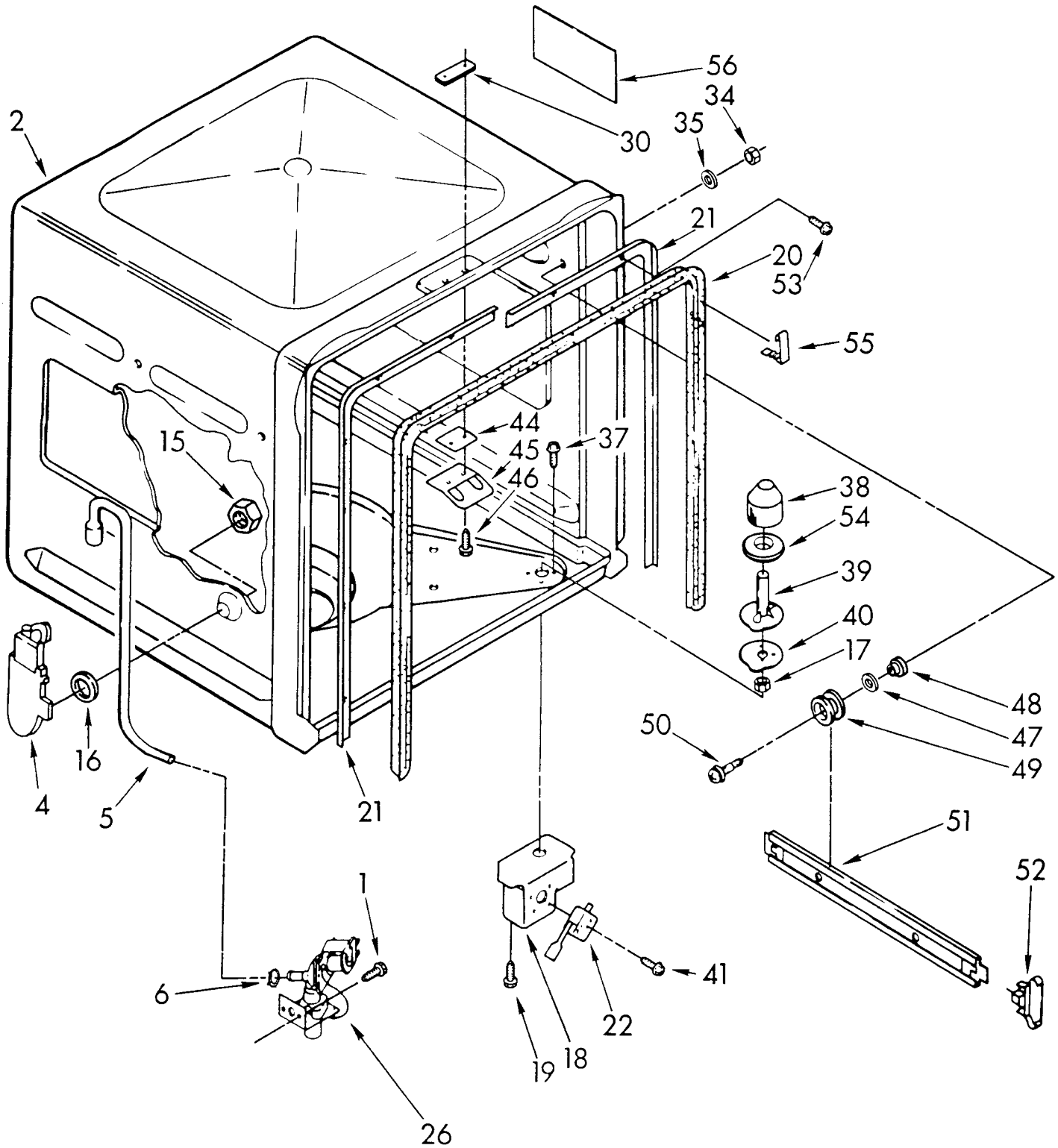
1	3367388	Door, Inner
2	3367201	Support, Door (R.H.)
	3367202	Support, Door (L.H.)
3	717921	Gasket, Door
4	719860	Baffle
5	300115	Pin, Lid Hinge
6	3367736	Retainer (2)
7	LIT303498	Label, User Guide
8	300234	Pin, Pivot (2)
9	356592	Grommet
10	300246	Screen, Vent
11	303978	Barrier
12	3367058	Latch Assembly
13	3367172	Clip Trim Guard (2)
14	660951	Switch, Interlock
	300232	Alternate
	303075	Alternate
	303885	Alternate
15	3367669	Edge Protector
18	304233	Screw, 8 x 1-7/8 (2)
19	304442	Dispenser, Wetting Agent
20	713080	Washer
21	718575	Nut
22	718577	Indicator, Level
23	300239	Button, Retainer (3)
24	300250	Screw, 8-18 x 3/8 (3)
25	304231	Screw, 8 x 1/2 Hi-Lo Blunt Point (2)
26	300155	Lid, Detergent Dispenser Assembly
27	300106	Spring, Lid
32	300119	Lever, Catch
33	300105	Seal, Lever
34	304231	Screw, 8-18 x .62
35	300104	Retainer
38	300109	Actuator
39	304231	Screw, 8 x 1/2 Hi-Lo Blunt Point (1)
42	303906	Barrier, Door
43	304047	Edging, Panel
44	688983	Screw, 8-18 x 5/8 (2)
45	303908	Barrier, Console
46	90767	Screw, 8 x 3/8 Hex Washer Head Tapping Ground (1)
48		Panel, Front
49	3367487	Trim, Door L.H.
	3367488	Trim, Door R.H.
60	3367658	Spring, Door
61	716401	Retainer, Spring
62		Panel, Access
63	3367527	Cap, End (R.H.)
	3367531	Cap, End (L.H.)
64	719581	Foot (2)
65	719266	Screw, 8-18 x 5/8
66		Overlay, Access Panel
	303445	Black
	302595	Brushed Aluminum (Optional)
67	718576	Cap, Drip
74	300128	Screw, 8-18 x 1/2 (4)
77	300237	Washer (2)
78	90767	Screw, 8 x 3/8 Hex Washer Head Tapping (2)

82	304392	Screw, 8-18 x 1/2
84	304444	Screw, 4-20 x 3/8 (2)
85	304443	Actuator
86	304391	Rail, Support
89	304408	Lever, Release
91	301582	Screw, 6-32 x 1
92	3367288	Screw, 8 - 18 (4)
93	715779	Bumper
94	301857	Clip, Wire
95	3367720	Retainer, Clip
96	303362	Shield, Harness
97	90767	Screw, 8A x 3/8 Hex Head Tapping
98	301774	Pad

|Refer To Dishwasher
Replacement Panel Parts List No. 675345.

TUB PARTS

For Model: DP8700XTN0



FOR ORDERING INFORMATION REFER TO PARTS PRICE LIST

1	90767	Screw, 8A x 3/8 (2)
2	3367464	Tub Assembly
4	300974	Inlet, Water
5	304669	Hose, Inlet
6	301958	Clamp
15	713799	Nut, 7/18-16
16	713878	Gasket
17	717488	Nut, .125
18	719342	Bracket, Overflow Switch
19	718250	Screw, 8 x 1/2 (3)
20	3367679	Gasket
	302090	Alternate
	302091	Alternate
21	302093	Retainer, R.S.
	302094	Retainer, L.S.
22	660741	Switch, Pressure
	301671	Alternate
	301672	Alternate
	304589	Alternate
26	661511	Valve, Water Inlet
30	303080	Nut, Twin Spring
34	718829	Locknut (8)
35	717624	Washer (8)
37	717236	Screw, 8-18 x .50
38	718035	Float
39	719967	Standpipe, Overflow
40	719966	Gasket, Overflow
41	302203	Screw, 4-40 x 9/16
44	712302	Shim
45	300233	Strike
46	9416643	Screw, 10-16 x 1/2 (2)
47	718750	Washer (8)
48	718817	Washer, Cup (8)
49	300844	Wheel Tub (8)
50	712499	Screw, Shoulder (8)
51	300846	Track (2)
52	300845	End Cap, Track (4)
53	719266	Screw, 8-18 x 5/8 (10)
54	301662	Gasket, Standpipe (2)
55	301663	Clip, Gasket (2)
56	302340	Pad, Sound (2)

T3367225	In tructions, Installation
LIT304296	Guide, Use & Care
LIT3367804	Tag, Energy Fact
LIT3367993	Label, Wiring Diagram
LIT3367772	List, Repair Parts

OPTIONAL PARTS NOT INCLUDED

DISHRACK REPAIR

675476	Vinyl Touch-Up (Blue)
675506	Tine Tip Repair Kit (Blue_ Enough For Two Complete Dishracks)

OPTIONAL PARTS NOT INCLUDED

PAINT, TOUCH UP (1/2 oz.)

72017	White
72107	Almond
72110	Golden Harvest
72112	Toast
72113	Platinum

PAINT PRESSURIZED SPRAY (13 oz.)

350930	White
350956	Almond
261890	Golden Harvest
285006	Superior Black
285365	Toast
285366	Platinum
206922	Primer (White)
350941	Leveler (Thinner)

PAINT, BULK (1 qt.)

799344	White (Uncut)
978883	Almond (Uncut)
261891	Golden Harvest (Uncut)
285367	Toast (Uncut)
285368	Platinum (Uncut)

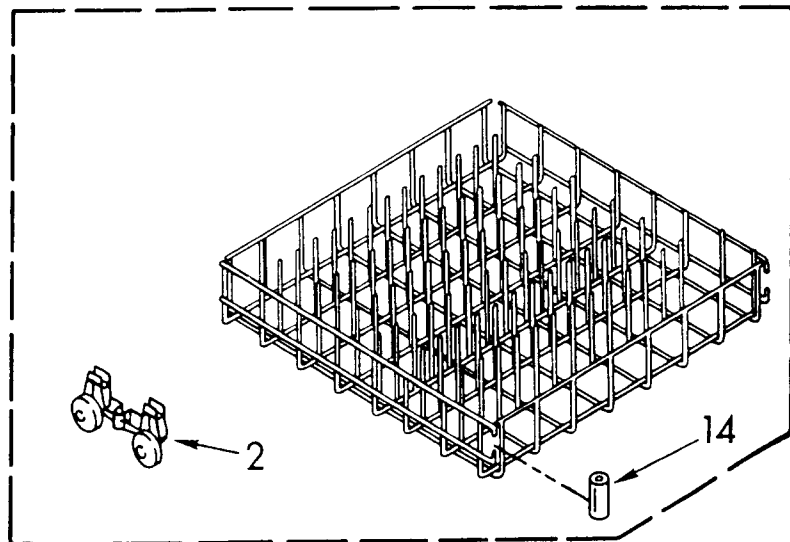
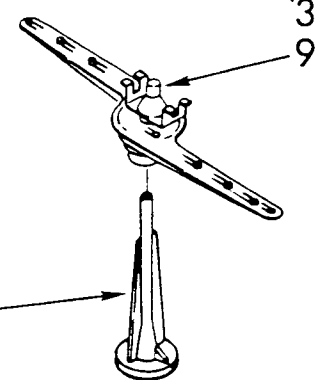
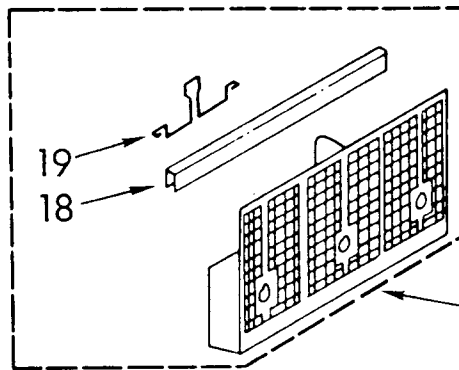
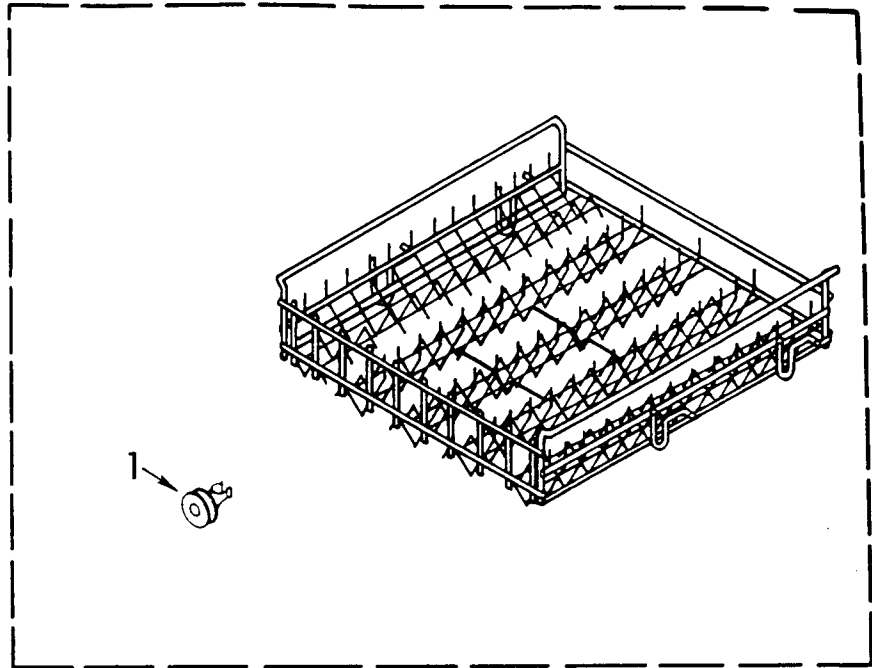
TUB LINER REPAIR

799640	Kit, Epoxy Patch (White)
--------	--------------------------

Following May Be Purchased: DO-IT-YOURSELF-REPAIR-MANUALS

DISHRACK PARTS

For Model: DP8700XTN0

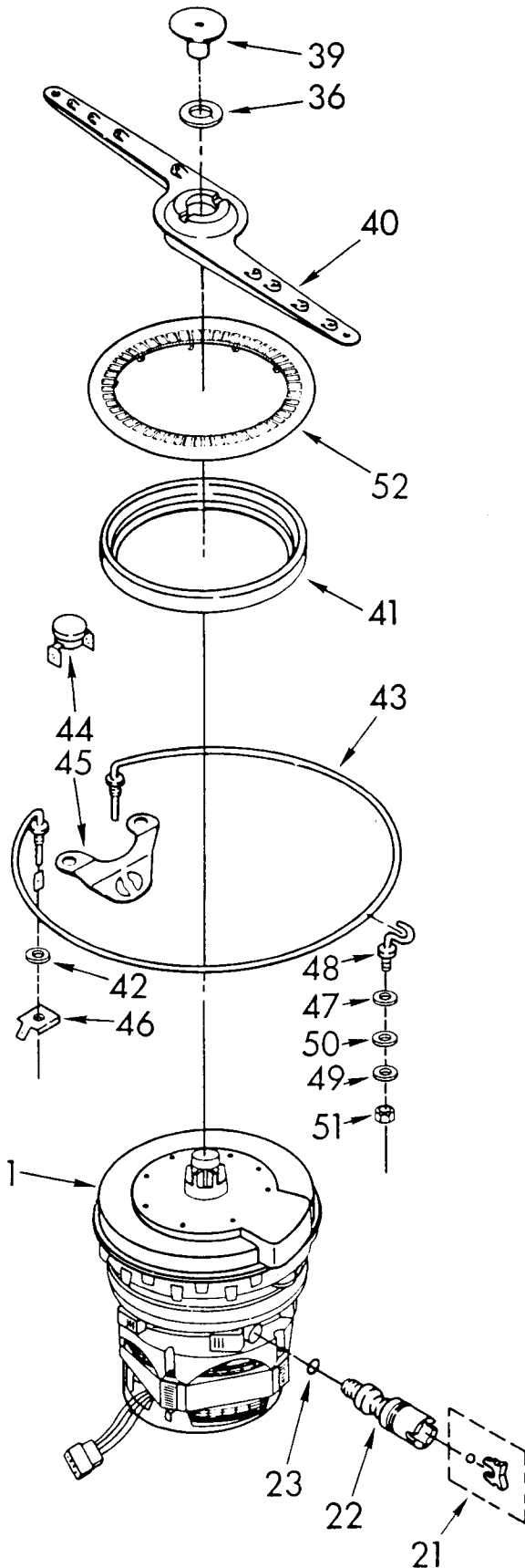


FOR ORDERING INFORMATION REFER TO PARTS PRICE LIST

1	300995	Wheel & Axle Assembly (4)
2	303991	Wheel & Carrier Assembly (4)
3	3368050	Dishrack, Upper
9	304204	Spray Arm, Upper
12	304180	Dishrack, Lower
14	717970	Bumper (2)
15	304170	Tower
17	304166	Silverware Basket Assembly
18	717528	Trim Basket (2)
19	300086	Handle Basket

HEATER, PUMP AND LOWER SPRAYARM PARTS

For Model: DP8700XTN0



FOR ORDERING INFORMATION REFER TO PARTS PRICE LIST

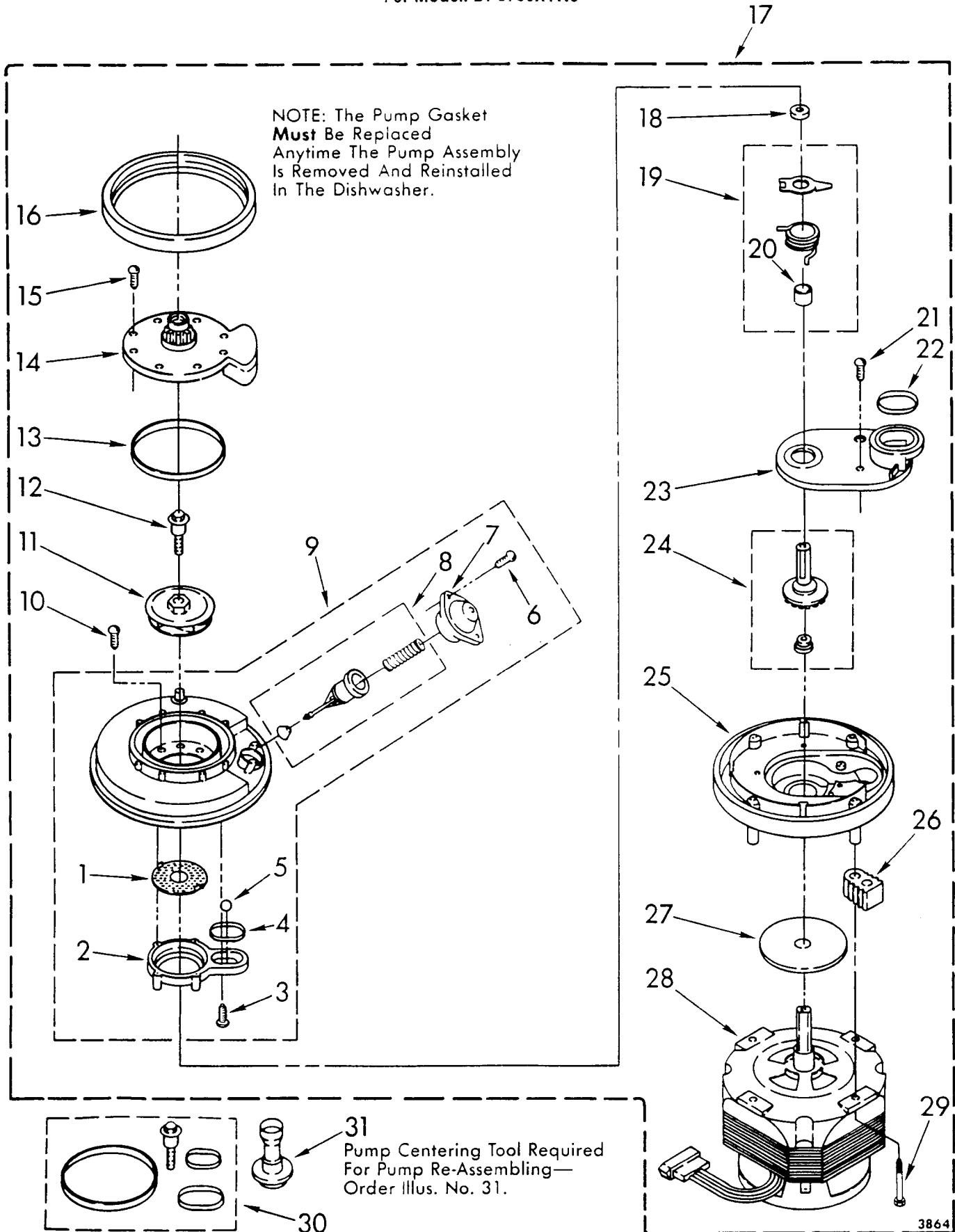
1 3367443 Pump & Motor Assembly (Includes Illus. 41)

Parts, Refer To Pump And Motor Parts Page.

21	675488	Check Ball & Retainer
22	300800	Valve, Check (Includes Illus. 21 & 23)
23	95080	``O'' Ring
36	719576	Bearing, Nozzle
39	3367910	Cap, Nozzle
40	302767	Spray Arm, Lower
41	717000	Gasket, Pump
42	717273	Washer, Rubber (2)
43	660318	Heater
	717141	Alternate
	719687	Alternate
	302113	Alternate
	302562	Alternate
44	661504	Thermostat
	303652	Alternate
	303282	Alternate
45	3368272	Bracket
46	718537	Nut, 7/16 x 20 (2)
47	717289	Washer Retainer (2)
48	717096	Support, Heater (2)
49	711284	Washer (2)
50	14351	Washer (2)
51	120614	Nut, 10-32 (2)
52	303469	Grate

PUMP AND MOTOR PARTS

For Model: DP8700XTN0



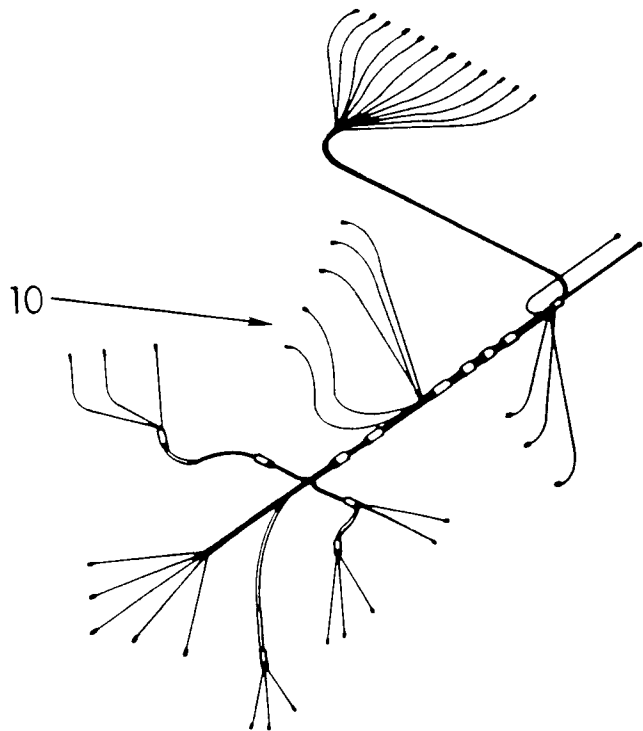
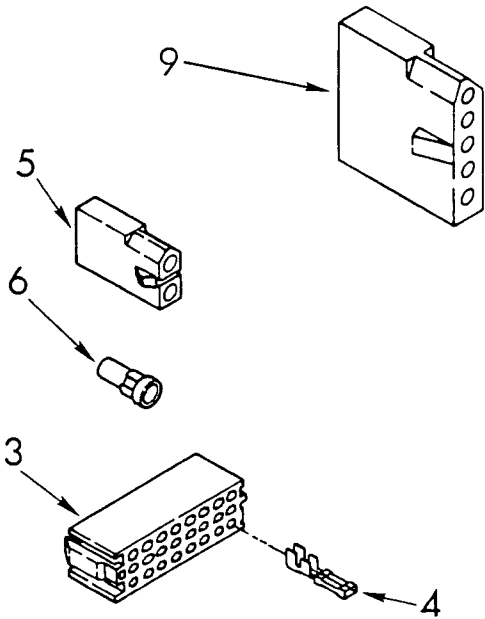
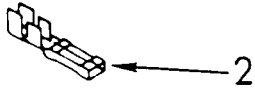
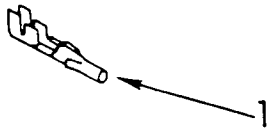
FOR ORDERING INFORMATION REFER TO PARTS PRICE LIST

1 302720 Plate, Perforated (Includes Illus. 5) (Also Order Illus. No. 30) See Note A.
 2 3367173 Base, Inlet (Includes Illus. 1 & 5) (Also Order Illus. No. 30) See Note A.
 3 303573 Screw, 8-18 x 5/8 St. Stl.
 4 302710 Seal, Inlet Base
 5 302709 Ball, Check
 6 303573 Screw, 8-18 x 5/8 St. Stl. (2)
 7 302721 Cover, Valve
 8 302738 Valve Stem Kit (Includes Illus. 12, 13 & 22) See Note A.
 9 303883 S\epara\tor\ Assemb\l\y (Includes Illus. 12, 13 & 22) See Note A.
 10 302717 Screw, 8-18 x 1-5/8 St. Stl. (4)
 11 303510 Impeller, Wash (Includes Illus. 12 & 13)
 12 303516 Screw & Seal, 10-32 x 3/4
 13 302711 Seal, Pump Outlet
 14 302730 Outlet, Pump (Includes Illus. 13)
 15 303573 Screw, 8-18 x 5/8 St. Stl. (8)
 16 717000 Gasket, Pump
 17 3367443 Pump & Motor Assembly
 18 302707 Bushing, Grind
 19 302718 Chopper Kit (Also Order Illus. No. 30) See Note A.
 20 302705 Sleeve, Drain Impeller
 21 718258 Screw, 8-18 x 5/8
 22 302704 Seal, Drain Cover
 23 302723 Cover, Drain (Also Order Illus. No. 30) See Note A.
 24 303539 Impeller, Drain Kit (Includes Illus. 31) (Also Order Illus. No. 30)
 25 3367204 Base, Pump (Includes Illus. 24) (Also Order Illus. No. 30) See Note A.
 26 3367197 Support, Pump Mounting (4)
 27 303252 Slinger (See Note A.)
 28 302716 Motor (Includes Illus. 24 & 27) (Also Order Illus. No. 30) See Note A. (For Electrical Connector Only, See Wiring Harness Page)
 29 301817 Screw, 13-18 x 1-1/2
 30 675505 Pump Seal Kit (Includes Illus. 4, 13 & 22)
 31 303918 Tool, Pump Centering (Included With Illus. 24)

For Pump Re-Assembling_ Order Illus. No. 31.

WIRING HARNESS PARTS

For Model: DP8700XTN0



FOR ORDERING INFORMATION REFER TO PARTS PRICE LIST

1	94614	Terminal
2	352088	Terminal, Female
3	304758	Block, Timer (Black)
	304757	Block, Timer (White)
4	304759	Terminal, Female
5	717252	Plug, Two Pin
6	351297	Plug, One Pin
8	94613	Terminal
9	719585	Receptacle (5-Circuit)
10	3367799	Harness, Wiring

Free Manuals Download Website

<http://myh66.com>

<http://usermanuals.us>

<http://www.somanuals.com>

<http://www.4manuals.cc>

<http://www.manual-lib.com>

<http://www.404manual.com>

<http://www.luxmanual.com>

<http://aubethermostatmanual.com>

Golf course search by state

<http://golfingnear.com>

Email search by domain

<http://emailbydomain.com>

Auto manuals search

<http://auto.somanuals.com>

TV manuals search

<http://tv.somanuals.com>