



UNDERCOUNTER DISHWASHER

Use & Care Guide

For questions about features, operation/performance, parts, accessories or service call: **1-800-253-1301**

In Canada, for assistance call: **1-800-461-5681**,
for installation and service call: **1-800-807-6777**

or visit our website at
www.whirlpool.com or **www.whirlpool.com/canada**

LAVE-VAISSELLE ENCASTRÉ

Guide d'utilisation et d'entretien

Au Canada, pour assistance,
composer le **1-800-461-5681**,
pour installation ou service **1-800-807-6777**

ou visitez notre site web à
www.whirlpool.com/canada

Table of contents/Table des matières 2

Model/Modèle DU018DW
154424501/3381188

TABLE OF CONTENTS

Important Safety Instructions	3
Before Starting Your Dishwasher	4
About Your Dishwasher	5
Getting Started	6
Loading Your Dishwasher	6,7
Loading Your Silverware Basket.....	7
Using the Detergent Dispenser	8
Operating the Dishwasher	9,10
Adding a Dish During a Cycle	10
Caring for Your Dishwasher	10,11
Getting the Best Results	12
Solving Common Dishwashing Problems..	13
Assistance or Service Information	14
Warranty	15

TABLE DES MATIÈRES

Importantes instructions de sécurité	17
Avant d'utiliser le lave-vaisselle	18
Caractéristiques du lave-vaisselle	19
Préparatifs	20
Chargement du lave-vaisselle	20,21
Chargement du panier à ustensiles	21
Distributeurs.....	22
Mode d'emploi	23,24
Ajout d'un article	24
Entretien du lave-vaisselle	24,25
Pour obtenir de meilleurs résultats	26
Problèmes fréquents et solutions.....	27
Besoin d'aide ou du service après-vente ..	28
Garantie	29



DISHWASHER SAFETY

Your safety and the safety of others are very important.

We have provided many important safety messages in the manual and on your appliance. Always read and obey all safety messages.



This is the safety alert symbol.

This symbol alerts you to potential hazards that can kill or hurt you and others.

All safety messages will follow the safety alert symbol and either the word "DANGER" or "WARNING." These words mean:

⚠ DANGER

You can be killed or seriously injured if you don't immediately follow instructions.

⚠ WARNING

You can be killed or seriously injured if you don't follow instructions.

All safety messages will tell you what the potential hazard is, tell you how to reduce the chance of injury, and tell you what can happen if the instructions are not followed.

IMPORTANT SAFETY INSTRUCTIONS

WARNING: When using the dishwasher, follow basic precautions, including the following:

- Read all instructions before using the dishwasher.
- Use the dishwasher only for its intended function.
- Use only detergents or rinse agents recommended for use in a dishwasher, and keep them out of the reach of children.
- When loading items to be washed:
 - 1) Locate sharp items so that they are not likely to damage the door seal; and
 - 2) Load sharp knives with the handles up to reduce the risk of cut-type injuries.
- Do not wash plastic items unless they are marked "dishwasher safe" or the equivalent. For plastic items not so marked, check the manufacturer's recommendations.
- Do not touch the heating element during or immediately after use.
- Do not operate your dishwasher unless all enclosure panels are properly in place.
- Do not tamper with controls.
- Do not abuse, sit on, or stand on the door or dish racks of the dishwasher.
- To reduce the risk of injury, do not allow children to play in or on a dishwasher.
- Under certain conditions, hydrogen gas may be produced in a hot water system that has not been used for two weeks or more. **HYDROGEN GAS IS EXPLOSIVE.** If the hot water system has not been used for such a period, before using the dishwasher turn on all hot water faucets and let the water flow from each for several minutes. This will release any accumulated hydrogen gas. As the gas is flammable, do not smoke or use an open flame during this time.
- Remove the door to the washing compartment when removing an old dishwasher from service or discarding it.

SAVE THESE INSTRUCTIONS

BEFORE USING YOUR DISHWASHER

! WARNING



Tip Over Hazard

Do not use dishwasher until completely installed.

Do not push down on open door.

Doing so can result in serious injury or cuts.

! WARNING



Electrical Shock Hazard

Electrically ground dishwasher.

Connect ground wire to green ground nut in terminal box.

Do not use an extension cord.

Failure to do so can result in death, fire or electrical shock.

GROUNDING INSTRUCTIONS

■ For a grounded, cord-connected dishwasher:

The dishwasher must be grounded. In the event of a malfunction or breakdown, grounding will reduce the risk of electric shock by providing a path of least resistance for electric current. The dishwasher is equipped with a cord having an equipment-grounding conductor and a grounding plug. The plug must be plugged into an appropriate outlet that is installed and grounded in accordance with all local codes and ordinances.

WARNING: Improper connection of the equipment-grounding conductor can result in a risk of electric shock. Check with a qualified electrician or service representative if you are in doubt whether the dishwasher is properly grounded. Do not modify the plug provided with the dishwasher. If it will not fit the outlet, have a proper outlet installed by a qualified electrician.

■ For a permanently connected dishwasher:

The dishwasher must be connected to a grounded metal, permanent wiring system, or a equipment-grounding conductor must be run with the circuit conductors and connected to the equipment-grounding terminal or lead on the dishwasher.

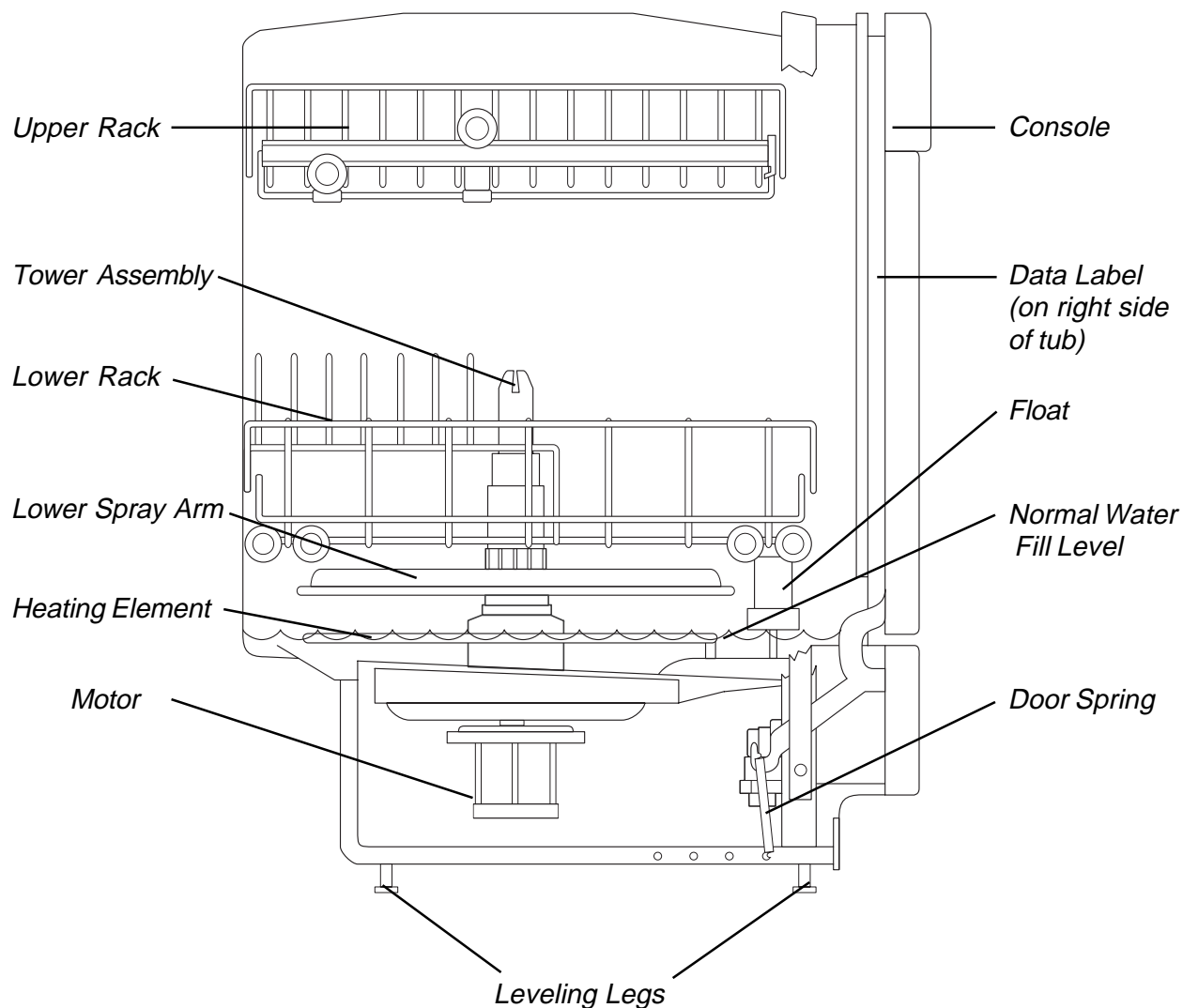
SAVE THESE INSTRUCTIONS

- Install where dishwasher is protected from the elements. Protect against freezing to avoid possible rupture of fill valve. Such ruptures are not covered by the warranty. See "Storage or Seasonal Use" in the "Caring for Your Dishwasher" section for winter storage information.
- Install and level dishwasher on a floor that will hold the weight, and in an area suitable for its size and use.
- See Installation Instructions for complete information.

ABOUT YOUR DISHWASHER

Your dishwasher, illustrated below, cleans by spraying a mixture of hot, clean water, and detergent against the soiled surfaces of your dishes and tableware. Each cycle starts with a pre-drain. Next, the dishwasher fills with water to a level even with the heating element. This water is constantly pumped through the rotating spray arm and center wash tower and sprayed onto the dishes. Soiled water is pumped out and replaced with clean water during a cycle. The number of water fills depends upon the cycle being used.

Side View



GETTING STARTED

To start your dishwasher, refer to the following quick reference guide.

Starting Your Dishwasher



1. Load the dishwasher (see pages 6-7).



5. Turn cycle indicator knob clockwise to the cycle you want (see page 9).



2. Fill the detergent dispenser (see page 8).



6. Turn on hot water nearest the dishwasher and let run until water is hot. Turn water off.



3. Fill the rinse aid dispenser (see page 8).



7. Firmly close door to latch and start dishwasher.



4. Select desired energy option (see page 10).

Stopping Your Dishwasher

You can stop your dishwasher anytime during a cycle. **Simply unlatch the door and wait for the water action to stop.**

Normal Operation

The following conditions are normal and indicate proper operation.

- Motor sounds will be heard before water enters the tub.
- Short time delays occur after a cycle is selected and between washes and rinses.
- A small amount of clean water will remain in the bottom of the tub after each cycle.

LOADING YOUR DISHWASHER

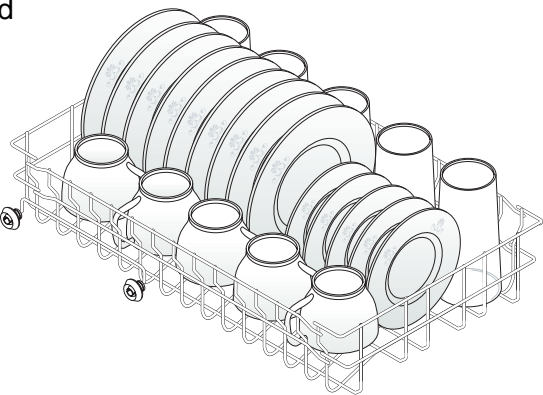
It is not necessary to rinse dishes before putting them into the dishwasher. Just remove large pieces and quantities of food and bones. Empty cups and glasses. It may be necessary to presoak or lightly scour firmly cooked-on or baked-on foods.

Always load dishes so soiled surfaces are reached by water spray from rotating spray arm or center wash tower. Water must be able to drain off completely for best results.

LOADING YOUR DISHWASHER

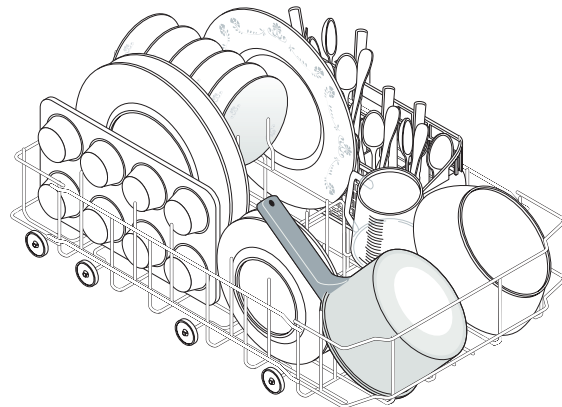
Upper Rack Loading

- Place items so open ends face down for cleaning and draining.
- Load glasses in upper rack only **between** tines. Lower rack is not designed for glasses and damage may occur.
- Be sure lightweight items are held firmly in place.
- Load **plastic items** in the **upper rack only**. Plastic items may melt in the lower rack. Only items marked "Dishwasher Safe" or equivalent are recommended.
- China, crystal, and other delicate items must not touch other items during the dishwasher's operation.



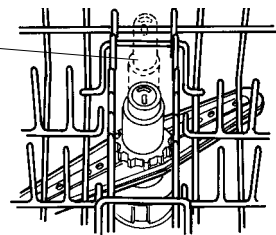
Lower Rack Loading

- Make sure pot handles and other items do not stop rotation of the lower spray arm or block the center wash tower from extending upward.
- Items with cooked-on or dried-on foods should be loaded in the lower rack with soiled surfaces facing the spray.
- Load cookie sheets, cake pans and other large items at the sides. Do not place them across the front where they will prevent water from reaching the detergent dispenser.
- Place plates, soup bowls, etc. **between** tines and facing the spray.



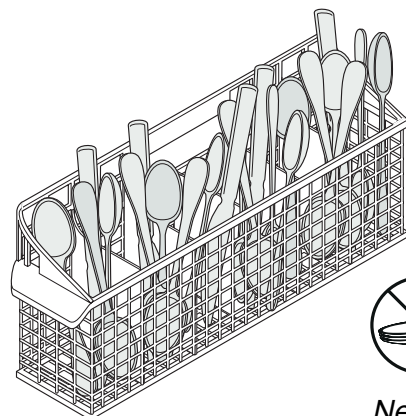
NOTE: Do not block the center area of the lower rack when loading. Because the center wash tower extends through this area, blockage may result in poor cleaning.

Do not block center area.



Silverware Basket Loading

- The silverware basket may be loaded while positioned in the lower rack or on the counter top.
- Be sure no items protrude through the holes in the basket or extend high enough to stop the spray arm's rotation.
- Load sharp items with the points down.
- Load silverware so items are mixed in each section to prevent *nesting* (see illustration). Water spray cannot effectively clean nested items.



Nested Utensils

USING THE DISPENSERS

Filling the Detergent Dispenser

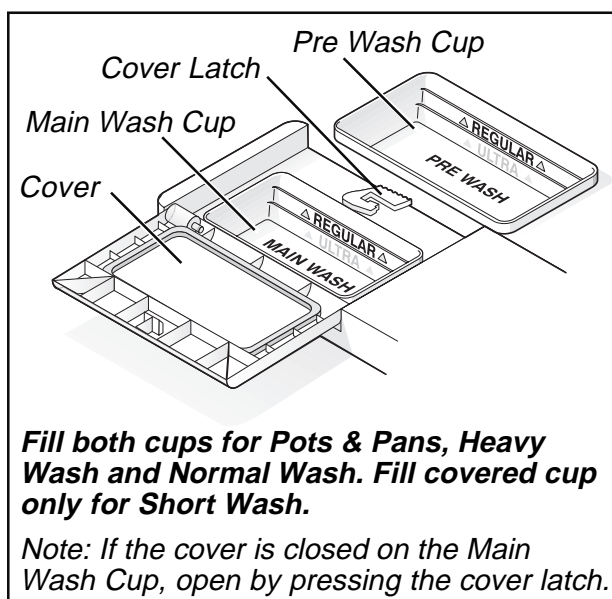
- Use only fresh automatic dishwashing detergent. Other types will cause oversudsing.
- Add detergent just before starting cycle.
- Store detergent in a cool, dry location. Moist or caked detergent will not dissolve properly.

The detergent dispenser has one covered and one uncovered cup. Detergent in the uncovered cup falls into the dishwasher when the door is closed. The covered cup opens automatically in the main wash.

How much Detergent to use

The amount of detergent to use depends on the water hardness. Water hardness is measured in grains per gallon. Using too little detergent can result in poor cleaning and hard water filming or spotting. Using too much detergent in soft water can cause permanent etching on glassware. Your local water company, water softener company or county extension agent can tell you the water hardness in your area.

More detergent may be needed if the phosphorus content is 8.7% or less. The phosphorus content is shown on the detergent label.



Fill both cups for Pots & Pans, Heavy Wash and Normal Wash. Fill covered cup only for Short Wash.

Note: If the cover is closed on the Main Wash Cup, open by pressing the cover latch.

Rinse Aid Dispenser

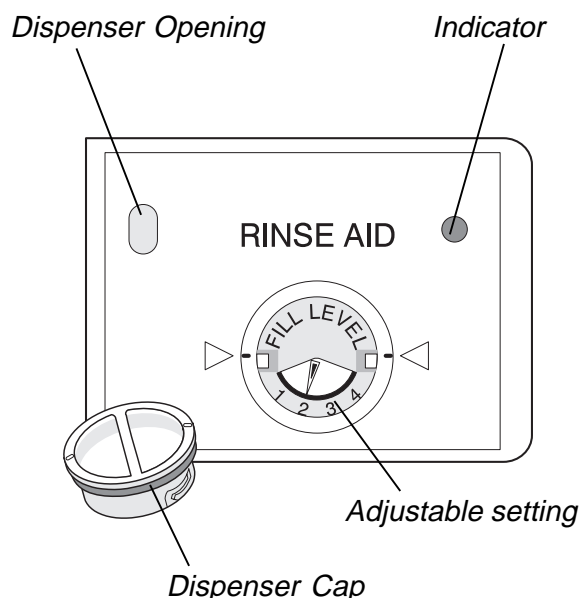
Rinse aid greatly improves drying and reduces water spots and filming. Water “sheets” off dishes rather than forming water droplets that cling and leave spots.

A dispenser, located next to the detergent cup, automatically releases a measured amount of rinse aid during the last rinse. If spotting and poor drying are problems, increase the amount of rinse aid dispensed by rotating the dial to a higher number. The dial is located under the dispenser cap. The indicator will be dark when full and will show clear when it is time to refill.

To add liquid rinse aid, turn dispenser cap 1/4 turn counterclockwise and lift out. Pour in rinse aid until liquid touches the indicated fill level. Replace cap.

Do not overfill since this can cause oversudsing. Wipe up any spills with a damp cloth.

The dispenser holds enough for 35 to 140 washes, depending on setting.



OPERATING INSTRUCTIONS

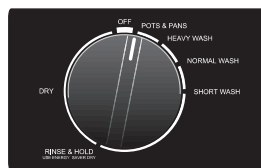
DU018DW



Starting Your Dishwasher

1. Load dishwasher and add detergent (see page 8).
2. Select desired energy option.
3. Turn the cycle indicator knob clockwise to the desired cycle.
4. Turn on hot water faucet nearest the dishwasher and let run until water is hot.
5. Firmly close dishwasher door to start cycle.

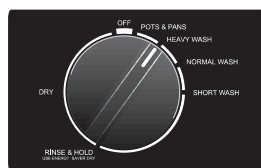
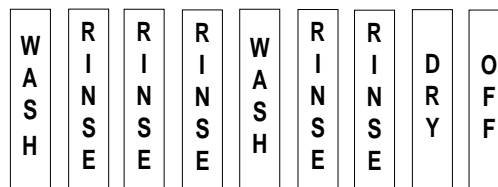
Cycles *Note: Cycle time and water usage shown are approximate.*



POTS & PANS cycle

For pots, pans, casseroles and dinnerware with dried-on or baked-on soils.

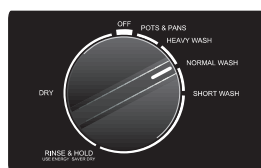
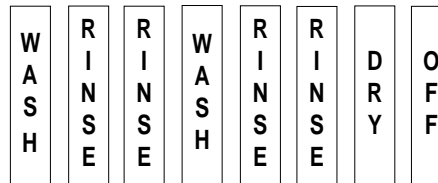
Cycle Time: 90 min.
Water Usage: 9.3 gal.
35.2 liters



HEAVY WASH cycle

For heavily soiled dishes.

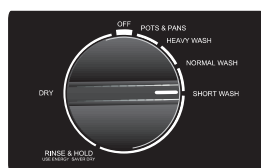
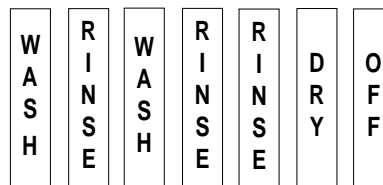
Cycle Time: 84 min.
Water Usage: 8.0 gal.
30.3 liters



NORMAL WASH cycle

For normally soiled dishes.

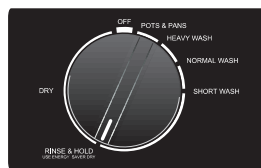
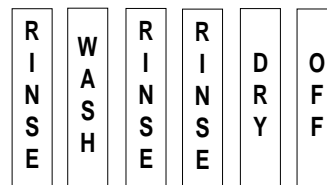
Cycle Time: 78 min.
Water Usage: 6.7 gal.
25.4 liters



SHORT WASH cycle

For pre-rinsed or lightly soiled dishes.

Cycle Time: 72 min.
Water Usage: 5.3 gal.
20.1 liters



RINSE & HOLD cycle

For rinsing dishes that will be washed later. Use the **Energy Saver Dry** (air dry) option. Do not use detergent.

Cycle Time: 9 min.
Water Usage: 1.3 gal.
4.9 liters



Options



HEATED DRY ENERGY SAVER DRY

HEATED DRY option

Heater is on for the entire drying period for faster drying.



HEATED DRY ENERGY SAVER DRY

ENERGY SAVER DRY (AIR DRY) option

Heater is off during the entire drying period, saving energy.

Note: If you wish to shorten the drying time and save energy, turn the control knob to **OFF** at the beginning of the dry cycle and open the dishwasher door slightly.

Changing a Setting

1. Unlatch door to stop cycle.
2. Turn cycle indicator knob clockwise to desired cycle.
3. Be sure detergent dispenser is filled properly for new cycle.
4. Firmly close door to start cycle.

Adding a Dish

1. Make sure there is a full wash cycle yet to be completed to ensure that any added items are washed and rinsed.
2. Unlatch door to interrupt cycle and wait for water action to stop.
3. Open door and add dish.
4. Firmly close door to resume cycle.

CARING FOR YOUR DISHWASHER

Caring for Surfaces

Exterior

Wash with a mild, nonabrasive detergent and water. Rinse and dry.

Interior

Do not clean the dishwasher interior until it has cooled.

The interior is self-cleaning with normal use. If hard water causes lime deposit buildup, clean using the following instructions:

1. After dishwasher begins to fill, open door and pour two (2) cups of vinegar into the dishwasher. **Do not add dishes or detergent.**
2. Run the machine through any full wash cycle.

Cleaning the Drain Air Gap

If the installer of your built-in dishwasher installed an air gap in the drain system, it should be checked periodically to make sure it is clean. Air gaps are usually mounted on the counter top or in the wall above the dishwasher and can be inspected by removing the cover.

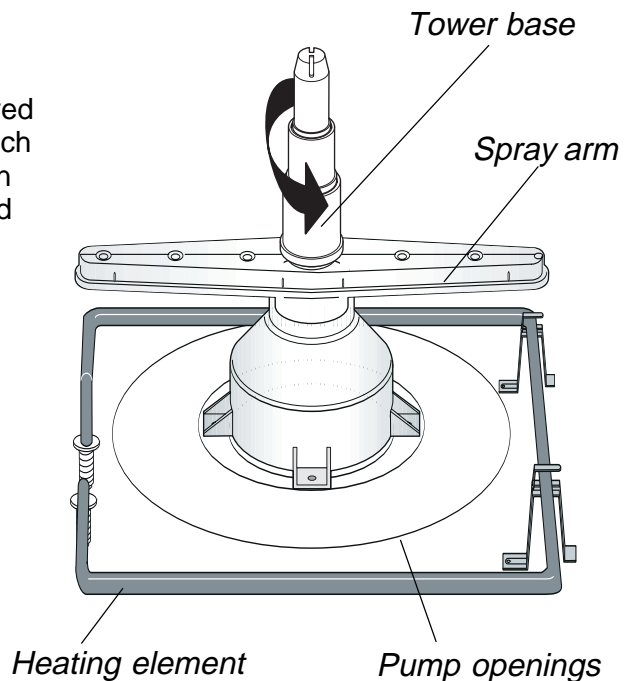
CARING FOR YOUR DISHWASHER

Cleaning the Pump and Spray Arms

Your dishwasher is designed to flush away all normal food soils that may not have been removed from dishes. However, certain foreign objects such as fruit pits, bottle caps, and bones may collect in the openings of the pump and should be removed periodically to avoid clogging the drain system.

NOTE: Do not clean the dishwasher interior until it has cooled.

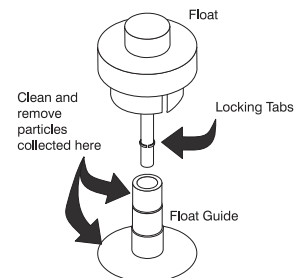
1. Remove tower base by turning counterclockwise.
2. Remove locknut and spray arm.
3. Clean out spray arm holes.
4. Clean in and around pump openings.
5. Replace spray arm and securely tighten locknut. Spray arm should rotate freely.
6. Replace tower base.



Cleaning the Float

Clean the float to prevent it from sticking. The float controls the water level in the dishwasher; sticking may cause an overflow or no water fill. When removing float to clean, pull up firmly until it snaps out. To replace float, push down until float locks into place. This will activate the float switch.

NOTE: The float should move up and down freely for approximately one inch when replaced on tube. Never run the dishwasher without the float in place.



Storage or Seasonal Use

If dishwasher is to remain idle for extended periods of time . . .

NOTE: Also see Installation Instructions for more detail.

Freezing Temperatures

- Shut off water and electrical power.
- Remove access panel.
- Disconnect water lines from both sides of valve. Drain into flat pan.
- Disconnect hoses from pump. Drain into flat pan.
- Reconnect water lines to valve and hoses to pump.
- Pour one (1) quart of nontoxic, RV-type antifreeze into empty dishwasher.

Normal or Warm Temperatures

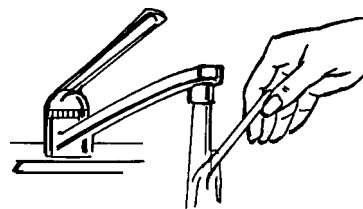
- Pour one (1) quart of nontoxic, RV-type antifreeze into empty dishwasher.

NOTE: Before using dishwasher again, operate it through any full cycle with detergent in both cups.

GETTING THE BEST RESULTS

Water Temperature

For best cleaning and drying results, water should be 120°F (49°C) as it enters the dishwasher. You can check the temperature of hot water at your sink with a candy or meat thermometer. Turn on the faucet nearest the dishwasher. Let the water run until it is as hot as possible, then insert the thermometer into the stream of water.



If your water heater is located far from the dishwasher, it may be necessary to run the hot water at the faucet closest to the dishwasher to minimize the amount of cold water in the line.

Water Pressure

Water pressure should be between 15 and 120 pounds per square inch. To determine if you have enough water pressure, put a two (2) quart container under the fully opened hot water faucet nearest the dishwasher — it should be full in less than 14 seconds. Be sure that all other faucets are shut off during this test.

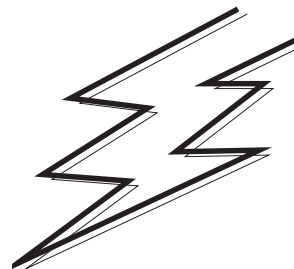


Electrical Supply

Your dishwasher should be connected to its own separate grounded circuit. It requires a 15 ampere fuse or circuit breaker protection. Use a 20 ampere fuse if the dishwasher is connected with a food disposer.

Energy and Water Saving Tips

- Wash full loads. Running a half-filled dishwasher uses the same amount of electricity and hot water as a fully-loaded machine.
- Use the LIGHT WASH for lightly soiled loads. It uses less hot water and energy than NORMAL WASH.
- AIR DRY dishes when you do not need a rapid drying cycle. Allow a longer drying period (overnight).
- Load correctly for best washing results. Incorrect loading may cause poor washing and the need to rewash all or part of the load.
- Do not pre-rinse normally soiled dishes. Using the NORMAL WASH cycle with the recommended amount of detergent and proper loading will provide good washing results without hand rinsing.
- Operate your dishwasher during off-peak hours. Local utilities recommend this to avoid heavy usage of energy at certain times of day.



COMMON DISHWASHING PROBLEMS AND SOLUTIONS

Problem	Solution
Motor noise is heard before water enters the tub.	This is normal. Each cycle starts with a pre-drain before water enters the tub.
Dishes are not clean.	Water temperature is 120°F? Racks loaded properly? Detergent fresh? Water pressure is adequate?
Dishes are not dry.	Water temperature is 120°F? Rinse aid dispenser filled? Items loaded to permit proper drainage?
Water spotting or filming.	Water temperature is 120°F? Racks loaded properly? Water too hard? Correct amount of fresh detergent? Rinse aid dispenser filled?
Rust deposits.	Caused by iron in water. For a permanent solution, install an iron filter in the water line. To remove the deposits: 1. Load the stained items, but do not load silverware or metal items. 2. Run dishes through full cycle using 1/2 cup citric acid crystals. DO NOT use detergent during this treatment cycle. 3. After treatment, wash load with detergent in full cycle.
Aluminum discoloration.	Certain water conditions, in combination with some detergents, may tend to darken aluminum. Scour all surfaces with a soap-filled pad. Try another detergent.
Black marks on dishes.	Metal items touching or rubbing against dishes during washing. Load such items so they do not touch.
Dish fading.	Decoration which is applied to glazed surface is most susceptible. Consult with manufacturer. If no information is available, as is the case with old china, test wash a piece several times.

Note: Colored aluminum, cast iron and bone handled items, hand-painted china, wooden, plastic, and rubber items which are not labeled "Dishwasher Safe" should be washed by hand.

IF YOU NEED ASSISTANCE OR SERVICE

Before calling for assistance or service, please check "Solving Common Dishwashing Problems." It may save you the cost of a service call. If you still need help, follow the instructions below.

When calling, please know the purchase date and the complete model and serial number of your appliance. This information will help us to better respond to your request.

If you need replacement parts

If you need to order replacement parts, we recommend that you only use FSP® factory specified parts. These parts will fit right and work right because they are made with the same precision used to build every new WHIRLPOOL® appliance.

In the U.S.A., call the Customer Interaction Center at **1-800-253-1301**, or your nearest designated service center.

In Canada, call **1-800-807-6777**, or your nearest designated service center.

In the U.S.A.

Call the Whirlpool Customer Interaction Center toll free: **1-800-253-1301**.

Our consultants provide assistance with:

- Features and specifications on our full line of appliances.
- Installation information.
- Use and maintenance procedures.
- Accessory and repair parts sales.
- Specialized customer assistance (Spanish speaking, hearing impaired, limited vision, etc.).
- Referrals to local dealers, repair parts distributors, and service companies. Whirlpool designated service technicians are trained to fulfill the product warranty and provide after-warranty service, anywhere in the United States.

To locate the Whirlpool designated service company in your area, you can also look in your telephone directory Yellow Pages.

For further assistance

If you need further assistance, you can write to us with any questions or concerns at:

Whirlpool Brand Home Appliances
Customer Interaction Center
553 Benson Road
Benton Harbor, MI 49022-2692

Please include a daytime phone number in your correspondence.

In Canada

Call our Whirlpool Canada Inc. Customer Interaction Center toll free:

1-800-461-5681 8:30 a.m. - 5:30 p.m. EST.

Our consultants provide assistance with:

- Features and specifications on our full line of appliances.
- Referrals to local dealers.
- Warranty information.

For service in Canada

Call **1-800-807-6777**. Whirlpool Canada Inc. designated service technicians are trained to fulfill the product warranty and provide after-warranty service, anywhere in Canada.

For further assistance

If you need further assistance, you can write to us with any questions or concerns at:

Customer Interaction Center
Whirlpool Canada Inc.
1901 Minnesota Court
Mississauga, Ontario L5N 3A7

Please include a daytime phone number in your correspondence.

WHIRLPOOL® DISHWASHER WARRANTY

ONE-YEAR FULL WARRANTY

For one year from the date of purchase, when this dishwasher is operated and maintained according to instructions attached to or furnished with the product, Whirlpool Corporation will pay for FSP® replacement parts and repair labor to correct defects in materials or workmanship. Service must be provided by a Whirlpool designated service company.

TWENTY-YEAR FULL WARRANTY

For twenty years from the date of purchase, when this dishwasher is operated and maintained according to instructions attached to or furnished with the product, Whirlpool Corporation will pay for FSP® replacement parts and repair labor for the DURAPERM™ tub and/or inner door should either fail to contain water, if defective in materials or workmanship. Service must be provided by a Whirlpool designated service company.

Whirlpool Corporation will not pay for:

1. Service calls to correct the installation of your dishwasher, to instruct you how to use your dishwasher, or to replace house fuses or correct house wiring or plumbing.
2. Repairs when your dishwasher is used in other than normal, single-family household use.
3. Damage resulting from accident, alteration, misuse, abuse, fire, floods, acts of God, improper installation, installation not in accordance with local electrical and plumbing codes, or use of products not approved by Whirlpool Corporation.
4. Any labor costs during the limited warranty period.
5. Replacement parts or repair labor costs for units operated outside the United States and Canada.
6. Pickup and delivery. This product is designed to be repaired in the home.
7. Repairs to parts or systems resulting from unauthorized modifications made to the appliance.
8. In Canada, travel or transportation expenses for customers who reside in remote areas.

WHIRLPOOL CORPORATION AND WHIRLPOOL CANADA INC. SHALL NOT BE LIABLE FOR INCIDENTAL OR CONSEQUENTIAL DAMAGES.

Some states and provinces do not allow the exclusion or limitation of incidental or consequential damages, so this exclusion or limitation may not apply to you. This warranty gives you specific legal rights and you may also have other rights which may vary from state to state or province to province.

Outside the 50 United States or Canada, this warranty does not apply. Contact your authorized Whirlpool dealer to determine if another warranty applies.

If you need service, first see "Solving Common Dishwashing Problems." Additional help can be found by checking "If You Need Assistance or Service," or by calling our Customer Interaction Center at **1-800-253-1301**, from anywhere in the U.S.A. or write: Whirlpool Corporation, Customer Interaction Center, 553 Benson Road, Benton Harbor, MI 49022-2692. In Canada, call Whirlpool Canada Inc. at **1-800-807-6777**.

Keep this book and your sales slip together for future reference. You must provide proof of purchase or installation date for in-warranty service.

Write down the following information about your dishwasher to better help you obtain assistance or service if you ever need it. You will need to know your complete model number and serial number. You can find this information on the data label, located on your appliance as shown in "About Your Dishwasher" on page 5.

Dealer name _____

Address _____

Phone number _____

Model number _____

Serial number _____

Purchase date _____

NOTES

SÉCURITÉ ET LAVE-VAISSELLE

Votre sécurité et celle des autres est très importante.

Nous donnons de nombreux messages de sécurité importants dans ce manuel et sur votre appareil ménager. Assurez-vous de toujours lire tous les messages de sécurité et de vous y conformer.



Voici le symbole d'alerte de sécurité.

Ce symbole d'alerte de sécurité vous signale les dangers potentiels de décès et de blessures graves pour vous et les autres.

Tous les messages de sécurité suivront le symbole d'alerte de sécurité et le mot "DANGER" ou "AVERTISSEMENT." Ces mots signifient :

⚠ DANGER

Risque possible de décès ou de blessure grave si vous ne suivez pas immédiatement les instructions.

⚠ AVERTISSEMENT

Risque possible de décès ou de blessure grave si vous ne suivez pas les instructions.

Tous les messages de sécurité vous diront quel est le danger potentiel et vous disent comment réduire le risque de blessure et ce qui peut se produire en cas de non-respect des instructions.

IMPORTANTES INSTRUCTIONS DE SÉCURITÉ

AVERTISSEMENT : Lors de l'utilisation du lave-vaisselle, suivre les précautions élémentaires dont les suivantes :

- Lire la totalité des instructions avant d'utiliser le lave-vaisselle.
- N'utiliser le lave-vaisselle que pour laver la vaisselle.
- Utiliser seulement les détergents ou agents de rinçage recommandés pour lave-vaisselle et les garder hors de la portée des enfants.
- Lorsque l'on charge le lave-vaisselle :
 - 1) Placer les objets coupants de façon qu'ils ne puissent endommager le joint de la porte; et
 - 2) Placer les couteaux le manche vers le haut de façon à ne pas se couper.
- Ne pas laver d'articles en plastique à moins qu'ils ne soient marqués «Peut aller au lave-vaisselle» ou l'équivalent. Si l'article ne porte aucune indication, vérifier auprès du fabricant.
- Ne pas toucher l'élément chauffant pendant le fonctionnement ou immédiatement après.
- Ne pas faire fonctionner le lave-vaisselle si tous les panneaux de l'enceinte ne sont pas en place.
- Ne pas jouer avec les commandes.
- Ne pas dégrader, ni vous asseoir ou monter sur la porte ou les paniers du lave-vaisselle.
- Pour éviter tout risque d'accident, ne pas laisser les enfants jouer dans ou sur le lave-vaisselle.
- Dans certaines circonstances, de l'hydrogène peut s'accumuler dans les canalisations d'eau chaude lorsque celles-ci demeurent inutilisées pendant deux semaines ou plus. L'HYDROGÈNE EST UN GAZ EXPLOSIF. Si la canalisation d'eau n'a pas été utilisée depuis au moins deux semaines, ouvrir tous les robinets d'eau chaude et laisser couler pendant plusieurs minutes avant d'utiliser le lave-vaisselle. De cette façon, toute trace d'hydrogène est purgée de la canalisation. L'hydrogène est un gaz inflammable. Ne pas fumer ni approcher de flamme nue pendant la purge de la canalisation.
- Enlever la porte du lave-vaisselle lorsqu'on le remplace ou le met au rebut.

CONSERVER CES INSTRUCTIONS

AVANT D'UTILISER LE LAVE-VAISSELLE

⚠ AVERTISSEMENT



Risque de basculement

Ne pas utiliser le lave-vaisselle avant qu'il soit complètement installé.

Ne pas pousser sur la porte ouverte.

Sinon, des blessures ou des coupures graves peuvent en résulter.

⚠ AVERTISSEMENT



Risque de choc électrique

Lave-vaisselle mis à la terre.

Connecter le fil de mise à la terre à l'écrou vert de mise à la terre de la boîte de jonction.

Ne pas utiliser de cordon prolongateur.

Si ces instructions ne sont pas suivies, il peut en résulter la mort ou des chocs électriques.

- Installer le lave-vaisselle dans un endroit à l'abri des intempéries. Protéger l'appareil contre le gel pour éviter une rupture possible du robinet de remplissage. De telles ruptures ne sont pas couvertes par la garantie. Voir « Remisage ou utilisation saisonnière » à la section « Entretien du lave-vaisselle » pour la préparation du remisage en hiver.
- Installer et mettre le lave-vaisselle d'aplomb sur un plancher qui pourra en supporter le poids, et dans un espace convenable pour ses dimensions et son utilisation.
- Voir les instructions d'installation pour des renseignements complets.

INSTRUCTIONS DE MISE À LA TERRE

- **Pour un lave-vaisselle relié à la terre, branché avec un cordon :**

Le lave-vaisselle doit être relié à la terre. En cas d'un mauvais fonctionnement ou d'une panne, la mise à terre réduira le risque d'un choc électrique en fournissant un parcours de moindre résistance au courant électrique. Le lave-vaisselle est équipé d'un cordon avec un conducteur pour relier les appareils à la terre. La fiche doit être branchée dans une prise appropriée, installée et reliée à la terre conformément aux codes et règlements locaux.

AVERTISSEMENT : La connexion incorrecte du conducteur pour relier les appareils peut causer un choc électrique. Vérifier avec un électricien compétent ou un représentant de service si l'on a des doutes quant à la liaison à la terre du lave-vaisselle. Ne pas modifier la fiche fournie avec le lave-vaisselle; si elle n'entre pas dans la prise, faire installer une prise appropriée par un électricien compétent.

- **Pour un lave-vaisselle branché en permanence :**

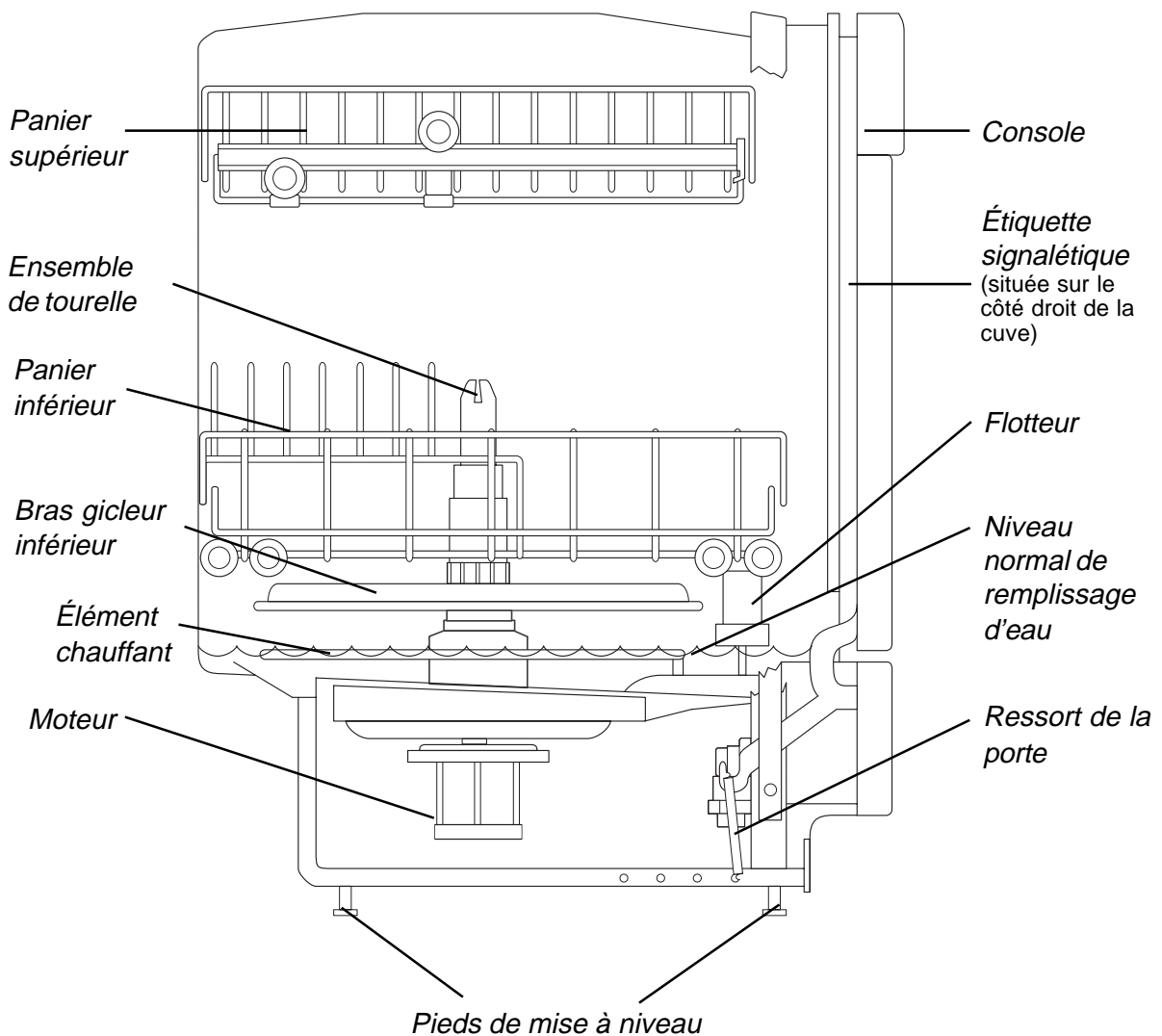
Le lave-vaisselle doit être branché à un système d'installation électrique permanent en métal relié à la terre, ou un conducteur pour relier les appareils doit être relié avec les conducteurs du circuit et branché à une borne pour relier les appareils à la terre ou au cordon d'alimentation électrique avec le lave-vaisselle.

CONSERVER CES INSTRUCTIONS

CARACTÉRISTIQUES DU LAVE-VAISSELLE

Votre lave-vaisselle, illustré ci-dessous, nettoie en arrosant les surfaces souillées de la vaisselle et des ustensiles avec un mélange d'eau propre et chaude et de détergent. Chaque cycle commence par un pré-drainage. Ensuite, le lave-vaisselle se remplit jusqu'au niveau de l'élément chauffant. Cette eau est constamment aspirée dans le bras gicleur rotatif et dans la tourelle de lavage centrale pour ensuite se faire projeter en gouttelettes sur la vaisselle. L'eau sale est pompée et remplacée par de l'eau propre au cours d'un cycle. Le nombre de remplissages d'eau dépend du cycle utilisé.

Vue de côté



PRÉPARATIFS

Pour mettre en marche le lave-vaisselle, se reporter au guide rapide suivant.

Mise en marche du lave-vaisselle



1. Charger le lave-vaisselle (voir page 20,21).



5. Tourner le bouton vers la droite sur le cycle souhaité (voir page 23).



2. Remplir le distributeur de détergent (voir page 22).



6. Ouvrir le robinet d'eau chaude le plus près du lave-vaisselle et laisser couler jusqu'à ce que l'eau soit chaude. Fermer le robinet.



3. Remplir le distributeur de produit de rinçage (voir page 22).



7. Bien fermer la porte du lave-vaisselle pour la verrouiller et mettre en marche le lave-vaisselle.



4. Choisir l'option d'énergie souhaitée (voir page 24).

Arrêt du lave-vaisselle

Il est possible d'arrêter le fonctionnement du lave-vaisselle à tout moment pendant un cycle. **Il suffit de déverrouiller la porte et d'attendre que l'action de l'eau cesse.**

Fonctionnement normal

Les conditions suivantes sont normales et indiquent un bon fonctionnement:

- Bruit de moteur lorsque l'eau entre dans la cuve.
- Temps d'attente court après le choix d'un cycle et entre les lavages et les rinçages.
- Petite quantité d'eau propre restant dans le fond de la cuve après chaque cycle.

CHARGEMENT DU LAVE-VAISSELLE

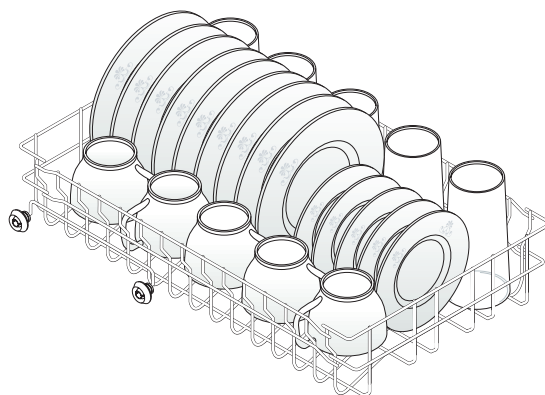
Il n'est pas nécessaire de rincer la vaisselle avant de la placer dans le lave-vaisselle. Gratter et enlever simplement les gros morceaux de nourriture, les os, les noyaux de fruits, pépins, etc., qui restent sur la vaisselle. Vider les verres et les tasses. Il peut être nécessaire de faire tremper ou de frotter légèrement les dépôts d'aliments brûlés ou incrustés.

Charger toujours la vaisselle dans le lave-vaisselle de sorte que les surfaces souillées soient atteintes par l'eau du bras gicleur ou de la tourelle centrale. L'eau doit pouvoir être entièrement évacuée pour obtenir les meilleurs résultats.

CHARGEMENT DU LAVE-VAISSELLE

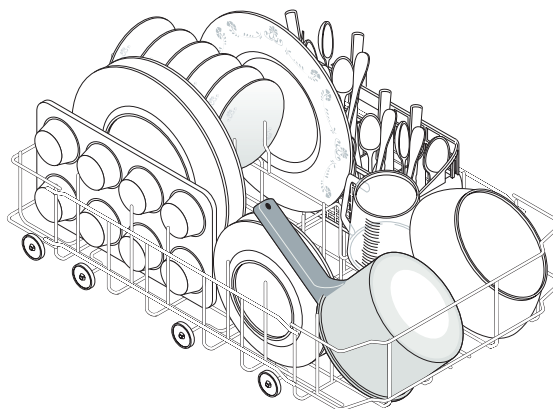
Chargement du panier supérieur

- Placer les articles pour que les ouvertures soient tournées vers le bas, ce qui permet nettoyage et évacuation de l'eau.
- Ranger les verres dans le panier supérieur seulement **entre** les tiges. Le panier inférieur n'est pas prévu pour les verres. Ceux-ci risquent de se casser.
- S'assurer que les articles légers sont bien maintenus en place.
- Ranger les **articles en plastique** dans le **panier supérieur seulement**. Ils pourraient fondre s'ils étaient dans le panier inférieur. Il est recommandé de ne laver que les articles marqués «Lavables en lave-vaisselle» ou mention équivalente.
- Les articles en porcelaine, cristal ou autres articles délicats ne doivent pas être en contact les uns avec les autres lors du fonctionnement du lave-vaisselle.



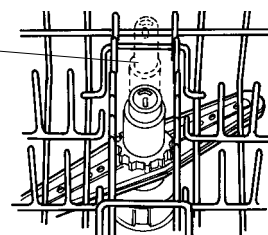
Chargement du panier inférieur

- S'assurer que les poignées des casseroles et autres articles n'arrêtent pas la rotation du bras gicleur inférieur ou n'empêchent pas la tourelle centrale de se déployer vers le haut.
- Les articles comportant de la nourriture desséchée ou cuite doivent être rangés dans le panier inférieur, les surfaces souillées face à la pulvérisation d'eau.
- Ranger les plaques à gâteaux, ustensiles à gâteaux ou autres gros articles sur les côtés. Ne pas les placer devant car ils empêcheraient l'eau d'atteindre le distributeur de détergent.
- Ranger les assiettes, bols à soupe, etc., entre les tiges et face à la pulvérisation d'eau.



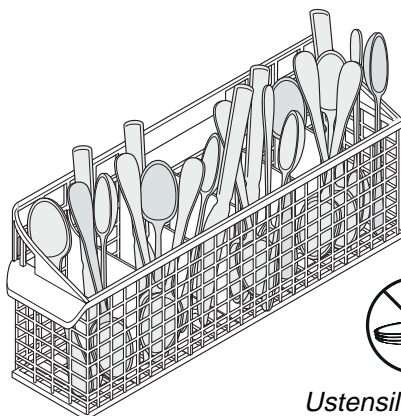
Ne PAS bloquer le centre du panier inférieur pendant le chargement. Puisque la tourelle centrale passe par le centre du panier, toute obstruction pourrait engendrer un résultat de lavage médiocre.

NE PAS bloquer le centre



Chargement du panier à couverts

- Il est possible de remplir le panier à couverts lorsqu'il est placé dans le panier inférieur ou sur le dessus d'un comptoir.
- S'assurer qu'aucun article ne dépasse des trous du panier ou n'empêche la rotation du bras gicleur.
- Ranger les articles pointus vers le bas.
- Mélanger les différents ustensiles pour éviter qu'ils ne s'emboîtent les uns dans les autres (voir l'illustration). L'eau ne pourrait atteindre les parties emboîtées.



Ustensiles emboîtés

DISTRIBUTEURS

Pour remplir le distributeur de détergent

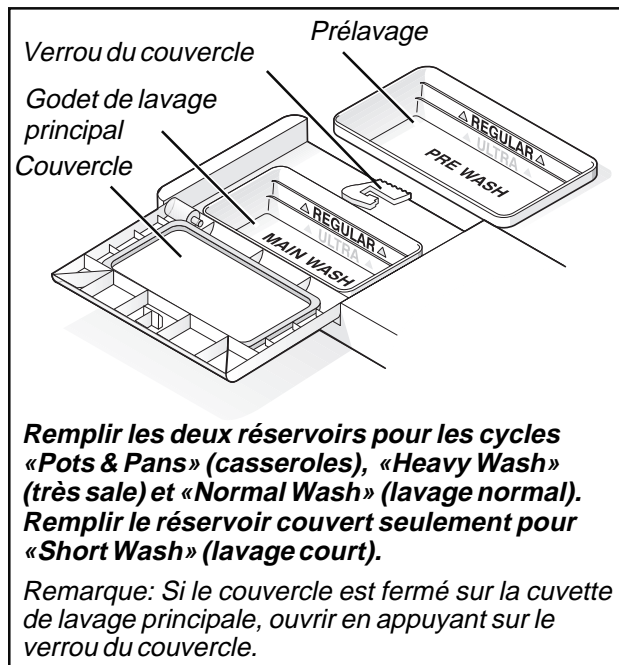
- Utiliser uniquement un détergent neuf pour lave-vaisselle automatique. D'autres types de détergent peuvent provoquer une formation de mousse excessive.
- Ajouter du détergent avant de commencer le cycle.
- Ranger le détergent dans un endroit frais et sec. Un détergent qui a pris l'humidité et qui s'est solidifié ne se dissout pas complètement.

Le distributeur de détergent possède un réservoir avec couvercle et un réservoir sans couvercle. Le détergent versé dans le réservoir sans couvercle tombe dans le lave-vaisselle dès que la porte est fermée. Le réservoir avec couvercle s'ouvre automatiquement durant le lavage principal.

Quelle quantité de détergent utiliser

La quantité de détergent à utiliser dépend de la dureté de l'eau. La dureté de l'eau est mesurée en grains par gallon. Lorsque la quantité de détergent est insuffisante, les résultats de lavage peuvent être insatisfaisants, et l'eau dure peut laisser un film ou des taches sur la vaisselle. Lorsque l'eau est douce et que l'on utilise trop de détergent, la verrerie peut rester blanchâtre. La compagnie des eaux, la compagnie d'adoucisseurs de votre région ou les services publics de la municipalité peuvent vous fournir la dureté de l'eau de votre secteur.

Il peut être nécessaire d'utiliser davantage de détergent lorsque celui-ci contient 8,7% ou moins de phosphate. La concentration en phosphate est indiquée sur l'étiquette de la boîte de détergent.



Distributeur de produit de rinçage

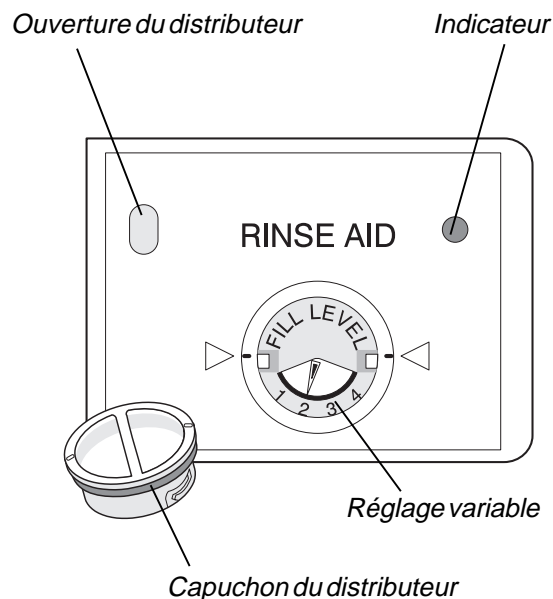
Les produits de rinçage améliorent le séchage et réduisent les taches et les films d'eau. L'eau glisse sur la vaisselle et ne forme pas de gouttelettes qui s'accrochent en laissant des taches sur les ustensiles.

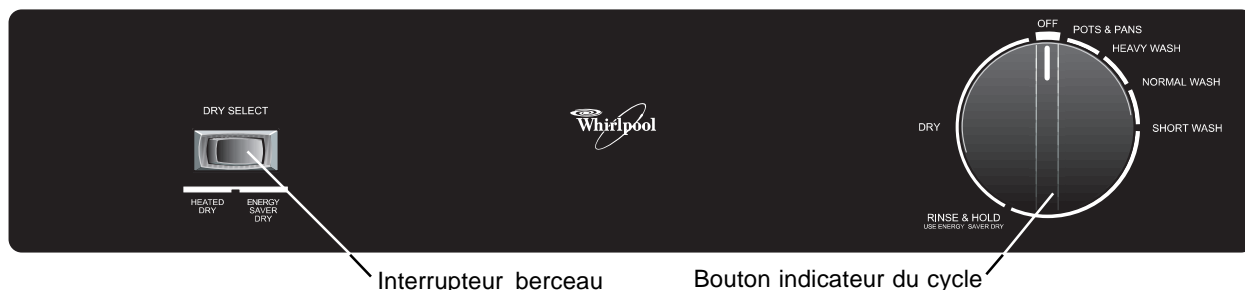
Le distributeur de produit de rinçage est situé près du réservoir à détergent. Il libère automatiquement une quantité précise de produit lors du rinçage final. En cas de marques et de mauvais séchage, augmenter la quantité de produit de rinçage en tournant le bouton sur un chiffre plus élevé. Le bouton est situé sous le capuchon du distributeur. L'indicateur est foncé lorsque le distributeur est plein et clair lorsqu'il est temps de le remplir.

Pour ajouter le produit de rinçage liquide, tourner le capuchon du distributeur d'1/4 de tour à gauche et le sortir. Verser le produit de rinçage jusqu'à ce que le liquide arrive au niveau de remplissage indiqué. Remettre le capuchon.

Ne pas trop remplir, ceci risquerait d'entraîner un excès de mousse. Essayer tout produit renversé avec un linge humide.

Le distributeur contient du liquide pour environ 35 à 140 lavages selon le réglage choisi.





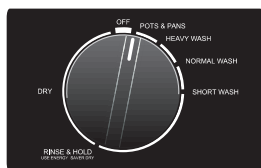
Interrupteur berceau

Bouton indicateur du cycle

Mise en marche du lave-vaisselle

1. Remplir le lave-vaisselle et ajouter le détergent (voir page 22).
2. Choisir l'option d'énergie désirée.
3. Tourner le bouton indicateur à droite sur le cycle désiré.
4. Ouvrir le robinet d'eau d'eau le plus près du lave-vaisselle et laisser l'eau couler jusqu'à ce qu'elle soit chaude.
5. Bien fermer la porte du lave-vaisselle pour démarrer le cycle.

Cycles *Remarque : La consommation d'eau et la durée du cycle ne sont qu'approximatives.*

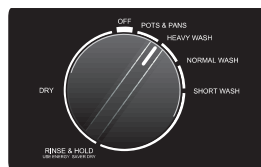


CASSEROLES (Pots & Pans)

Pour les casseroles, les cocottes ou la vaisselle qui présentent des dépôts séchés ou incrustés :

Durée : 90 mn
Eau : 9,3 gal.
 35,2 litres

L	R	R	R	L	R	R	S	A
A	I	I	I	A	I	I	É	R
V	N	N	N	V	N	N	C	R
A	Ç	Ç	Ç	A	Ç	Ç	H	R
G	A	A	A	G	A	A	A	È
E	G	G	G	E	G	G	G	T

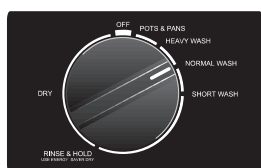


TRÈS SALE (Heavy Wash)

Pour la vaisselle très sale :

Durée : 84 mn
Eau : 8,0 gal.
 30,3 litres

L	R	R	L	R	R	S	A
A	I	I	A	I	I	É	R
V	N	N	V	N	N	C	R
A	Ç	Ç	A	Ç	Ç	H	R
G	A	A	G	A	A	A	È
E	G	G	E	G	G	G	T

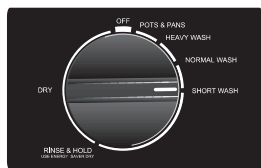


LAVAGE NORMAL (Normal Wash)

Pour la vaisselle normalement sale :

Durée : 78 mn
Eau : 6,7 gal.
 25,4 litres

L	R	L	R	R	S	A
A	I	A	I	I	É	R
V	N	V	N	N	C	R
A	Ç	A	Ç	Ç	H	R
G	A	G	A	A	A	È
E	G	E	G	G	G	T

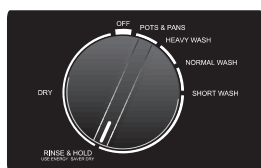


LAVAGE COURT (Short Wash)

Pour la vaisselle légèrement sale ou qui a été rincée :

Durée : 72 mn
Eau : 5,3 gal.
 20,1 litres

R	L	R	R	S	A
I	A	I	I	É	R
Ç	V	Ç	Ç	C	R
A	A	A	A	H	R
G	G	G	G	A	È
E	E	E	E	G	T



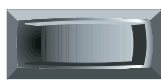
RINÇAGE D'ATTENTE (Rinse & Hold)

Pour la vaisselle qui sera lavée plus tard. Utiliser l'option **séchage économique** (à l'air). NE PAS UTILISER de détergent.

Durée : 9 mn
Eau : 1,3 gal.
 4,9 litres

R	A
I	R
Ç	È
A	T
G	
E	

Options



HEATED DRY ENERGY SAVER DRY

Option de SÉCHAGE À CHAUD

L'élément chauffant est en marche pour toute la période de séchage pour permettre un séchage plus rapide.



HEATED DRY ENERGY SAVER DRY

Option de SÉCHAGE ÉCONOMIQUE (À L'AIR)

L'élément chauffant est arrêté pendant toute la période de séchage, ce qui économise de l'énergie.

Remarque : Si l'on désire raccourcir le temps de séchage et économiser l'énergie, tourner le bouton sur «**OFF**» (**ARRÊT**) au commencement du cycle de séchage et ouvrir légèrement la porte du lave-vaisselle.

Changement de réglage

1. Ouvrir la porte pour arrêter le cycle.
 2. Tourner le bouton indicateur du cycle à droite sur le cycle désiré.
 3. S'assurer que le distributeur de détergent est correctement rempli pour le nouveau cycle.
 4. Bien fermer la porte pour mettre en marche le cycle.
-

Ajout d'un article

1. S'assurer qu'il reste au moins un cycle de lavage complet pour que les ustensiles ajoutés au début du cycle soient correctement lavés et rincés.
 2. Déverrouiller la porte et attendre que l'eau cesse de circuler.
 3. Ouvrir la porte et ajouter l'article.
 4. Fermer la porte à fond et poursuivre le cycle.
-

ENTRETIEN DU LAVE-VAISSELLE

Entretien des surfaces

Extérieur

Laver avec de l'eau additionnée d'un détergent doux et non abrasif. Rincer et sécher.

Intérieur

Ne pas nettoyer l'intérieur du lave-vaisselle tant qu'il n'a pas refroidi.

L'intérieur est autonettoyant lors d'un usage normal. Si la présence d'eau dure provoque des dépôts de calcaire, nettoyer en suivant les instructions ci-dessous:

1. Après le remplissage du lave-vaisselle, ouvrir la porte et verser deux (2) tasses de vinaigre dans le lave-vaisselle. **Ne pas ajouter de vaisselle ni de détergent.**
 2. Faire faire un cycle de lavage complet au lave-vaisselle.
-

Nettoyage du brise-vide

Si un brise-vide a été installé pour le lave-vaisselle encastré, vérifier périodiquement qu'il est propre. Les brise-vide sont habituellement installés sur le comptoir ou dans le mur au-dessus du lave-vaisselle et il est possible de les vérifier en retirant le couvercle.

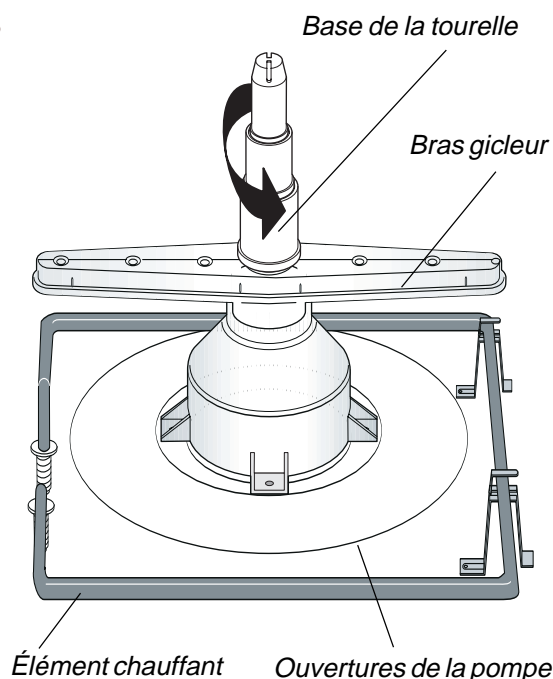
ENTRETIEN DU LAVE-VAISSELLE

Nettoyage de la pompe et du bras gicleur

Le lave-vaisselle est conçu pour éliminer tous les résidus alimentaires qui n'ont pas été retirés de la vaisselle. Cependant, certains objets étrangers comme noyaux de fruits, bouchons de bouteille et os peuvent se retrouver dans les ouvertures de la pompe et doivent être enlevés périodiquement pour éviter de boucher le système d'évacuation.

REMARQUE : Ne pas nettoyer l'intérieur du lave-vaisselle tant qu'il n'a pas refroidi.

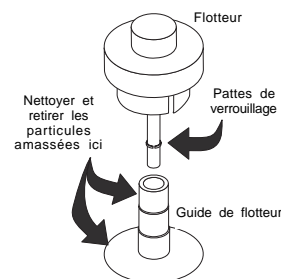
1. Retirer la base de la tourelle en la tournant à gauche.
2. Retirer l'écrou de blocage et le bras gicleur.
3. Nettoyer les orifices du bras gicleur.
4. Nettoyer les ouvertures de la pompe et autour.
5. Remettre en place le bras gicleur et bien serrer l'écrou de blocage. Le bras gicleur doit pouvoir tourner librement.
6. Remettre en place la base de la tourelle.



Nettoyage du flotteur

Nettoyer le flotteur pour l'empêcher de se coincer. Le flotteur contrôle le niveau d'eau dans le lave-vaisselle; s'il se coincé, il peut y avoir débordement ou aucun remplissage. Enlever le flotteur pour le nettoyer en le tirant fermement jusqu'à ce qu'il sorte. Pour le remettre, l'enfoncer jusqu'à ce qu'il se verrouille en place. Ceci permet d'activer le commutateur de flotteur.

REMARQUE : Une fois remis en place sur le tube, le flotteur doit se déplacer librement de haut en bas sur environ 2,5 cm (1 pouce). Ne jamais faire fonctionner le lave-vaisselle sans le flotteur en place.



Remisage ou utilisation saisonnière

Si le lave-vaisselle n'est pas utilisé pendant un certain temps ...

REMARQUE : Pour obtenir plus de détails, voir aussi les instructions d'installation.

Température de gel

- Fermer l'eau et couper l'électricité.
- Retirer le panneau de service.
- Débrancher les conduites d'eau des deux côtés de la soupape. Vidanger dans un récipient plat.
- Débrancher les tuyaux de la pompe. Vidanger dans un récipient plat.
- Rebrancher les conduites d'eau à la soupape et les tuyaux à la pompe.
- Verser 1 L (1 pinte) d'antigel non toxique pour véhicule récréatif dans le lave-vaisselle vide.

Température normale ou tiède

- Verser 1 L (1 pinte) d'antigel non toxique pour véhicule récréatif dans le lave-vaisselle vide.

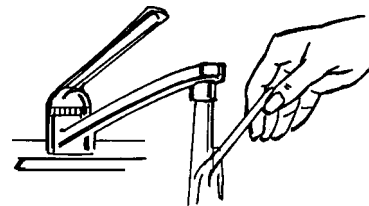
REMARQUE : Avant d'utiliser à nouveau le lave-vaisselle, faire faire un cycle complet avec détergent dans les deux réservoirs du distributeur.

POUR OBTENIR LES MEILLEURS RÉSULTATS

Température de l'eau

Pour obtenir les meilleurs résultats de nettoyage et de séchage, l'eau devrait être à 120°F (49°C) à son entrée dans le lave-vaisselle. Il est possible de vérifier la température de l'eau au niveau de l'évier avec un thermomètre à confiserie ou à viande. Ouvrir le robinet le plus près du lave-vaisselle. Laisser l'eau couler jusqu'à ce qu'elle soit la plus chaude possible, puis introduire le thermomètre dans le courant d'eau.

Si le chauffe-eau se trouve loin du lave-vaisselle, il peut être nécessaire de faire couler l'eau chaude au robinet le plus près du lave-vaisselle pour minimiser la quantité d'eau froide dans la canalisation d'eau.



Pression de l'eau

La pression de l'eau doit être située entre 104-837 kPa (15 et 120 livres par pouce carré). Pour déterminer si l'on a une pression suffisante, verser un contenant de 2 litres (2 pintes d'eau) sous le robinet d'eau chaude grand ouvert le plus près du lave-vaisselle; celui-ci doit se remplir en moins de 14 secondes. S'assurer que tous les autres robinets sont fermés pendant ce test.

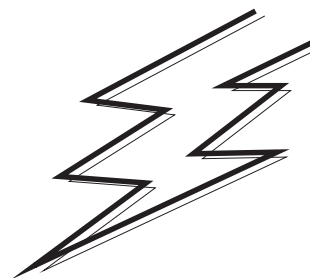


Alimentation électrique

Le lave-vaisselle doit être branché sur un circuit indépendant. Utiliser un disjoncteur ou un fusible de 15 ampères, ou un fusible de 20 ampères si le lave-vaisselle est relié à un broyeur à déchets.

Conseils d'économie d'énergie et d'eau

- Ne laver que des charges pleines. Le lavage d'un demi lave-vaisselle utilise la même quantité d'électricité et d'eau chaude que si le lave-vaisselle était plein.
- Choisir le LAVAGE LÉGER pour la vaisselle peu souillée. Ce lavage utilise moins d'eau chaude et d'énergie qu'un LAVAGE NORMAL.
- Laisser sécher la vaisselle à l'AIR LIBRE lorsque l'on n'a pas besoin d'un cycle de séchage rapide. Prévoir une période de séchage plus longue (une nuit).
- Remplir correctement le lave-vaisselle pour obtenir les meilleurs résultats de lavage. Sinon, le lavage n'est pas aussi bon et il peut être nécessaire de relaver une partie de la vaisselle.
- Ne pas rincer au préalable la vaisselle normalement souillée. Utiliser le cycle de LAVAGE NORMAL avec la quantité recommandée de détergent et remplir correctement le lave-vaisselle pour assurer de bons résultats de lavage sans avoir à rincer à la main.
- Se servir du lave-vaisselle en dehors des heures de grande demande d'énergie. Les services locaux recommandent d'éviter une trop forte demande d'énergie à certains moments de la journée.



PROBLÈMES FRÉQUENTS ET SOLUTIONS

Problème	Solution
Bruit de moteur avant que l'eau ne pénètre dans la cuve.	Ceci est normal. Chaque cycle commence avec une vidange avant que l'eau n'entre dans la cuve.
La vaisselle n'est pas propre.	La température de l'eau est-elle de 120°F (49°C)? Paniers correctement chargés? Détergent frais? Pression de l'eau suffisante?
La vaisselle n'est pas sèche.	La température de l'eau est-elle de 120°F (49°C)? Distributeur de produit de rinçage rempli? Vaisselle rangée pour permettre une bonne évacuation de l'eau?
Taches ou pellicule d'eau.	La température de l'eau est-elle de 120°F (49°C)? Paniers correctement chargés? Eau trop dure? Bonne quantité de détergent frais ? Distributeur de produit de rinçage rempli?
Dépôts de rouille.	Causés par la présence de fer dans l'eau. Pour une solution permanente, installer un filtre à fer dans la canalisation d'eau. Pour retirer les dépôts: 1. Ranger les articles salis dans le lave-vaisselle, mais sans les ustensiles en métal ou en argent. 2. Faire faire un cycle complet avec des cristaux d'acide citrique (1/2 tasse). 3. Ne pas utiliser de détergent pendant ce traitement. Après traitement, laver la vaisselle avec du détergent lors d'un cycle complet.
Décoloration de l'aluminium.	Certaines conditions de l'eau, combinées avec la présence de certains détergents, peuvent noircir l'aluminium. Frotter toutes les surfaces avec un tampon rempli de savon. Essayer un autre détergent.
Taches noires sur la vaisselle.	Articles en métal entrant en contact ou frottant les uns contre les autres lors du lavage. Ranger ces articles pour qu'ils n'entrent pas en contact les uns avec les autres.
Décoloration de la vaisselle.	La décoration appliquée aux surfaces vitrifiées est la plus fragile. Prendre contact avec un fabricant. Si aucune information n'est disponible, comme c'est le cas pour de la porcelaine ancienne, faire un test sur un article plusieurs fois.

Remarque : L'aluminium coloré, la fonte et les articles en os, la porcelaine peinte à la main, les articles en caoutchouc, plastique ou bois qui ne portent pas l'indication «lavable en lave-vaisselle» doivent tous être lavés à la main.

BESOIN D'AIDE OU DE SERVICE APRÈS-VENTE

Avant de demander une assistance ou un service, veuillez vérifier la section «Problèmes fréquents et solutions». Cette vérification peut vous faire économiser le coût d'une visite de service. Si vous avez encore besoin d'aide, suivre les instructions ci-dessous.

Lors d'un appel, veuillez connaître la date d'achat et les numéros au complet de modèle et de série de votre appareil. Ces renseignements nous aideront à mieux répondre à votre demande.

Si vous avez besoin de pièces de rechange

Si vous avez besoin de commander des pièces de rechange, nous vous recommandons d'utiliser seulement des pièces d'origine FSP®. Ces pièces de rechange conviendront et fonctionneront bien parce qu'elles sont fabriquées selon les mêmes spécifications précises utilisées pour construire chaque nouvel appareil WHIRLPOOL®.

Aux États-Unis, téléphoner au Centre d'interaction avec la clientèle en composant le **1-800-253-1301**, ou appeler votre centre de service désigné le plus proche. Au Canada, composer le **1-800-807-6777**, ou appeler votre centre de service désigné le plus proche.

Aux États-Unis

Téléphoner sans frais au Centre d'interaction avec la clientèle Whirlpool au : **1-800-253-1301**.

Nos consultants fournissent de l'assistance pour :

- Caractéristiques et spécifications de notre gamme complète d'appareils électroménagers.
- Renseignements d'installation.
- Procédés d'utilisation et d'entretien.
- Vente d'accessoires et de pièces de rechange.
- Assistance spécialisée au client (langue espagnole, malentendants, malvoyants, etc.).
- Les références aux concessionnaires, compagnies de service de réparation et distributeurs de pièces de rechange locaux. Les techniciens de service désignés par Whirlpool sont formés pour remplir la garantie des produits et fournir un service après garantie partout aux États-Unis.

Pour localiser la compagnie de service désignée par Whirlpool dans votre région, vous pouvez consulter les Pages jaunes de votre annuaire téléphonique.

Pour plus d'assistance

Si vous avez besoin de plus d'assistance, vous pouvez nous écrire en soumettant toute question ou problème à :

Whirlpool Brand Home Appliances
Customer Interaction Center
553 Benson Road
Benton Harbor, MI 49022-2692

Dans votre correspondance, veuillez indiquer un numéro de téléphone où l'on peut vous joindre dans la journée.

Au Canada

Téléphoner sans frais au Centre d'interaction avec la clientèle de Whirlpool Canada Inc. au : **1-800-461-5681** de 8 h 30 à 17 h 30 (HNE).

Nos consultants fournissent de l'assistance pour :

- Caractéristiques et spécifications de notre gamme complète d'appareils électroménagers.
- Les références aux concessionnaires locaux.
- Renseignements sur les garanties.

Pour service au Canada

Téléphoner sans frais au **1-800-807-6777**. Les techniciens de service désignés par Whirlpool Canada Inc. sont formés pour remplir la garantie des produits et fournir un service après garantie partout au Canada.

Pour plus d'assistance

Si vous avez besoin de plus d'assistance, vous pouvez nous écrire en soumettant toute question ou problème à :

Centre d'interaction avec la clientèle
Whirlpool Canada Inc.
1901 Minnesota Court
Mississauga, Ontario L5N 3A7

Dans votre correspondance, veuillez indiquer un numéro de téléphone où l'on peut vous joindre pendant la journée.

GARANTIE DU LAVE-VAISSELLE WHIRLPOOL®

GARANTIE COMPLÈTE DE UN AN

Pendant un an, à compter de la date d'achat, lorsque le lave-vaisselle est utilisé et entretenu conformément aux instructions fournies avec le produit, Whirlpool Corporation paiera pour les pièces de rechange FSP® et la main-d'oeuvre pour la correction des vices de matériaux ou de fabrication. Les réparations doivent être effectuées par un établissement de service désigné par Whirlpool.

GARANTIE COMPLÈTE DE VINGT ANS

Pour une période de vingt ans à compter de la date d'achat, lorsque le lave-vaisselle est utilisé et entretenu conformément aux instructions fournies avec le produit, Whirlpool Corporation paiera pour les pièces de rechange FSP® et la main-d'oeuvre pour la cuve DURAPERM™ et/ou la surface intérieure de la porte si cette cuve ou surface intérieure de la porte comporte une fuite d'eau attribuable à des vices de matériaux ou de fabrication. Les réparations doivent être effectuées par un établissement de service désigné par Whirlpool.

Whirlpool Corporation ne paiera pas pour :

1. Les visites d'un dépanneur pour rectifier l'installation du lave-vaisselle, donner des instructions concernant l'utilisation du lave-vaisselle, remplacer les fusibles ou rectifier l'installation électrique ou de plomberie du domicile.
 2. Les réparations lorsque le lave-vaisselle est utilisé à des fins autres que normales dans un domicile unifamilial.
 3. Les dommages imputables à : accident, modification, mésusage, abus, incendie, inondation, actes de Dieu, installation fautive, installation non conforme aux codes locaux d'électricité et de plomberie, ou l'utilisation d'un produit non approuvé par Whirlpool Corporation.
 4. Tous les frais de main-d'oeuvre pendant la période des garanties limitées.
 5. Les pièces de rechange ou les frais de main-d'oeuvre pour les appareils utilisés hors des États-Unis et du Canada.
 6. La prise en charge et la livraison de l'appareil chez l'utilisateur. Ce produit est conçu pour être réparé à domicile.
 7. Les réparations de pièces ou systèmes imputables à des modifications non autorisées effectuées sur l'appareil.
 8. Au Canada, les frais de voyage ou de transport pour les clients qui habitent dans des régions éloignées.
-

WHIRLPOOL CORPORATION ET WHIRLPOOL CANADA INC. N'ASSUMENT AUCUNE RESPONSABILITÉ POUR LES DOMMAGES FORTUITS OU INDIRECTS.

Certains États ou provinces ne permettent pas l'exclusion ou la limitation des dommages fortuits ou indirects; aussi, cette exclusion ou limitation peut ne pas vous être applicable. Cette garantie vous confère des droits juridiques spécifiques et vous pouvez également jouir d'autres droits qui peuvent varier d'un État ou province à l'autre.

À l'extérieur du Canada et des 50 États des États-Unis, cette garantie ne s'applique pas. Contacter votre marchand Whirlpool autorisé pour déterminer si une autre garantie s'applique.

Si vous avez besoin de service, consulter d'abord la section «Problèmes fréquents et solutions». On peut trouver de l'aide supplémentaire à la section «Besoin d'aide ou du service après-vente», ou en téléphonant à notre Centre d'interaction avec la clientèle au **1-800-253-1301**, de n'importe où aux É.-U., ou en écrivant à : Whirlpool Corporation, Customer Interaction Center, 553 Benson Road, Benton Harbor, MI 49022-2692. Au Canada, téléphoner à Whirlpool Canada Inc. au **1-800-807-6777**.

Conservez ce manuel et la facture d'achat ensemble en lieu sûr pour consultation ultérieure. Pour le service sous garantie, vous devez présenter un document prouvant la date d'achat ou d'installation.

Inscrivez les renseignements suivants à propos de votre lave-vaisselle pour mieux obtenir assistance ou service en cas de besoin. Vous devez connaître le numéro de modèle et le numéro de série complets. Cette information est indiquée sur la plaque signalétique dont l'emplacement sur votre appareil est indiqué à la section «Avant d'utiliser le lave-vaisselle».

Nom du marchand _____

Adresse _____

Numéro de téléphone _____

Numéro de modèle _____

Numéro de série _____

Date d'achat _____

REMARQUES

REMARQUES

154424501/3381188

© 2002 Whirlpool Corporation.
All rights reserved.
Tous droits réservés.

® Registered trademark/TM Trademark of Whirlpool, U.S.A.,
Whirlpool Canada Inc. Licensee in Canada.

® Marque déposée/TM Marque de commerce de Whirlpool, U.S.A.
Emploi licencié par Whirlpool Canada Inc. au Canada



1/02

Printed in U.S.A.
Imprimé aux É.-U.

Free Manuals Download Website

<http://myh66.com>

<http://usermanuals.us>

<http://www.somanuals.com>

<http://www.4manuals.cc>

<http://www.manual-lib.com>

<http://www.404manual.com>

<http://www.luxmanual.com>

<http://aubethermostatmanual.com>

Golf course search by state

<http://golfingnear.com>

Email search by domain

<http://emailbydomain.com>

Auto manuals search

<http://auto.somanuals.com>

TV manuals search

<http://tv.somanuals.com>