



UNDERCOUNTER DISHWASHER INSTALLATION INSTRUCTIONS

INSTRUCTIONS D'INSTALLATION DU LAVE- VAISSELLE ENCASTRÉ

Table of Contents / Table des matières

DISHWASHER SAFETY	2	SÉCURITÉ DU LAVE-VAISSELLE	17
INSTALLATION REQUIREMENTS	3	EXIGENCES D'INSTALLATION	18
Tools and Parts.....	3	Outils et pièces.....	18
Location Requirements.....	3	Exigences d'emplacement.....	18
Electrical Requirements.....	5	Spécifications électriques.....	20
Water Supply Requirements.....	5	Spécifications de l'alimentation en eau.....	20
Drain Requirements.....	5	Exigences d'évacuation.....	21
INSTALLATION INSTRUCTIONS	6	INSTRUCTIONS D'INSTALLATION	21
Prepare Cabinet Opening—Existing Utility Hookups.....	6	Préparation de l'ouverture d'encastrement du placard - Moyens de raccordement préexistants.....	21
Prepare Cabinet Opening—No Existing Utility Hookups.....	8	Préparation de l'ouverture d'encastrement du placard- Sans moyens de raccordement préexistants.....	23
Install Dishwasher.....	11	Installation du lave-vaisselle.....	27
Make Electrical Connections—Direct Wire Method.....	13	Raccordement électrique - Méthode de raccordement direct.....	29
Make Electrical Connections—Power Supply Cord Method.....	13	Raccordement électrique - Méthode avec cordon d'alimentation électrique.....	29
Connect Dishwasher to Water Supply.....	14	Raccordement du lave-vaisselle à l'alimentation en eau.....	30
Connect Dishwasher to Drain.....	14	Raccordement du lave-vaisselle au circuit d'évacuation.....	30
Attach Dishwasher to Cabinet.....	15	Fixation du lave-vaisselle au placard.....	31
Complete Installation.....	15	Achever l'installation.....	32

IMPORTANT:

Save for local electrical inspector's use.

Installer: Leave installation instructions with the homeowner.

Homeowner: Keep installation instructions for future reference.

IMPORTANT :

Conserver pour consultation par l'inspecteur local des installations électriques.

Installateur : Remettre les instructions d'installation au propriétaire.

Propriétaire : Conserver les instructions d'installation pour référence ultérieure.

**Models/Modèles GU3100XTVB GU3100XTVQ GU3100XTVS
W10167841A**

DISHWASHER SAFETY

Your safety and the safety of others are very important.

We have provided many important safety messages in this manual and on your appliance. Always read and obey all safety messages.



This is the safety alert symbol.

This symbol alerts you to potential hazards that can kill or hurt you and others.

All safety messages will follow the safety alert symbol and either the word "DANGER" or "WARNING."

These words mean:

⚠ DANGER

You can be killed or seriously injured if you don't immediately follow instructions.

⚠ WARNING

You can be killed or seriously injured if you don't follow instructions.

All safety messages will tell you what the potential hazard is, tell you how to reduce the chance of injury, and tell you what can happen if the instructions are not followed.



⚠ WARNING

Tip Over Hazard

Do not use dishwasher until completely installed.

Do not push down on open door.

Doing so can result in serious injury or cuts.

You need to:

- Slowly open dishwasher door while someone grasps the rear of the dishwasher. Remove shipping materials. Close dishwasher door. Latch the dishwasher door shut.
- Observe all governing codes and ordinances.
- Install this dishwasher as specified in these instructions.
- Have everything you need to properly install dishwasher.
- Contact a qualified installer to ensure that dishwasher is installed to meet all electrical and plumbing national and local codes and ordinances.

INSTALLATION REQUIREMENTS

Tools and Parts

Gather the required tools and parts before starting installation. Read and follow the instructions provided with any tools listed here.

Tools Needed

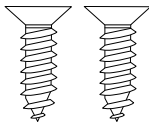
- Phillips screwdriver
- Flat-blade screwdriver
- $\frac{5}{16}$ " and $\frac{1}{4}$ " nut drivers
- Measuring tape or ruler
- $\frac{1}{2}$ ", $\frac{3}{4}$ " and $1\frac{1}{2}$ " (1.3 mm, 1.9 mm and 3.8 cm) hole saw bits
- Twist-on wire connectors (proper size to connect household wiring to 16-gauge wiring in dishwasher) (2)
- 6" (15.2 cm) adjustable wrench
- Small tubing cutter
- Level
- Cordless drill
- $\frac{1}{8}$ " drill bit
- Flashlight
- Shallow pan
- Wood block
- Bath towel

Parts Needed

- 90° elbow with $\frac{3}{8}$ " N.P.T. external threads on one end
 - $1\frac{1}{2}$ " to 2" (3.8 cm to 5.1 cm) screw-type clamp
 - Clamp connector to fit $\frac{7}{8}$ " (22.2 cm) diameter hole
 - $1\frac{1}{2}$ " to 2" (3.8 cm to 5.1 cm) screw-type clamp if connecting to waste-tee
- NOTE:** The other end must fit the water supply line.
- Thread seal tape
 - 3 UL listed wire nuts
 - Copper tubing ($\frac{3}{8}$ " recommended)

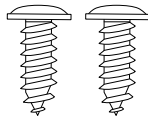
Parts Supplied

Check that all parts are included. See separate parts list for accessories available for your dishwasher.



A

A. #8 x $\frac{5}{8}$ " Phillips flat-head wood screws



B

B. Phillips color-matched toe-kick screws

Location Requirements

IMPORTANT: Observe all governing codes and ordinances. Failure to meet codes and ordinances could lead to fire or electrical shock.

Proper installation is your responsibility.

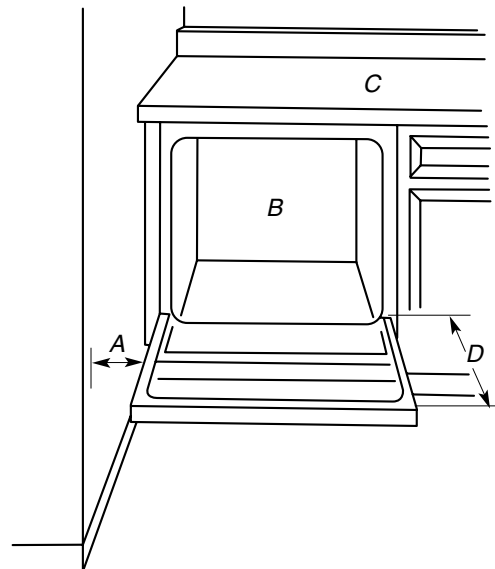
- Contact a qualified installer to ensure that the dishwasher is installed to meet all electrical and plumbing national and local codes and ordinances.
- Install the dishwasher as specified in these instructions.
- Have everything you need to properly install dishwasher.
- Shelter dishwasher and water lines leading to dishwasher against freezing. Damage from freezing is not covered by the warranty.

- This dishwasher is manufactured for indoor use only.
- Do not run drain lines, water lines or electrical wiring where they can interfere with or contact the dishwasher motor or legs.
- The location where the dishwasher will be installed must provide clearance between motor and flooring. Motor should not touch the floor.
- Do not install dishwasher over carpeted flooring.

Minimum Clearances

Check location where the dishwasher will be installed. The location must provide:

- Easy access to water, electricity and drain.
- Convenient access for loading and unloading dishes. Corner locations require 2" (5.1 cm) minimum clearance between the side of the dishwasher door and the wall or cabinet.
- A minimum of 25 $\frac{3}{8}$ " (65.1 cm) is required in front of the dishwasher to allow the door to open fully.



A. 2" (5.1 cm) minimum clearance for door opening

C. Countertop

B. Dishwasher

D. 25 $\frac{3}{8}$ " (65.1 cm) minimum

- Square opening for proper orientation.
- Cabinet front perpendicular to floor.
- Level floor. If the floor at the front of the dishwasher is not level with the rear of the opening, shims may be needed to level the dishwasher.

NOTE: To avoid shifting during dishwasher operation, shims must be securely attached to the floor.

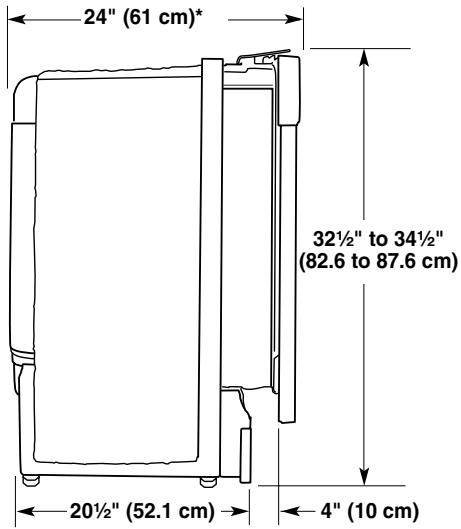
If the dishwasher will be left unused for a period of time or in a location where it may be subject to freezing, have it winterized by authorized service personnel.

Make sure pipes, wires and drain hose are within the shaded area shown in the "Cutout dimensions" section.

Helpful Tip: If the floor in the dishwasher opening is uneven (example: tile flooring only partway into opening) you will need to be accurate when measuring the dimensions and in leveling the dishwasher.

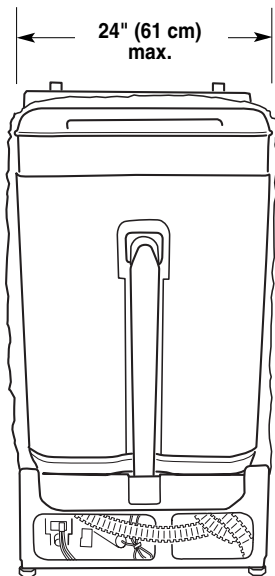
Product Dimensions

Side View



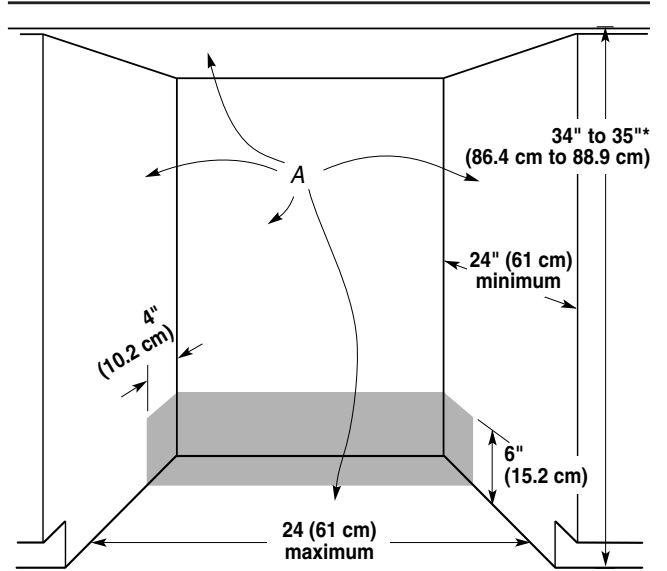
* To front of door frame

Rear View



Installation Clearances

Cutout Dimensions



A. All surfaces free from intrusions

* Underside of countertop to floor

NOTES:

- Cut holes in shaded area of cabinet walls or floor for plumbing and electrical service.
- ADA installation—32½" (82.5 cm) beneath 34" (86.4 cm) high countertops may be accomplished by adjusting the toe kick and leveling legs.

Electrical Requirements

⚠ WARNING



Electrical Shock Hazard

Plug into a grounded 3 prong outlet.

Do not remove ground prong.

Do not use an adapter.

Do not use an extension cord.

Failure to follow these instructions can result in death, fire, or electrical shock.

GROUNDING INSTRUCTIONS

■ For a grounded, cord-connected dishwasher:

The dishwasher must be grounded. In the event of a malfunction or breakdown, grounding will reduce the risk of electric shock by providing a path of least resistance for electric current. The dishwasher is equipped with a cord having an equipment-grounding conductor and a grounding plug. The plug must be plugged into an appropriate outlet that is installed and grounded in accordance with all local codes and ordinances.

WARNING: Improper connection of the equipment-grounding conductor can result in a risk of electric shock. Check with a qualified electrician or service representative if you are in doubt whether the dishwasher is properly grounded. Do not modify the plug provided with the dishwasher; if it will not fit the outlet, have a proper outlet installed by a qualified electrician.

■ For a permanently connected dishwasher:

The dishwasher must be connected to a grounded metal, permanent wiring system, or an equipment-grounding conductor must be run with the circuit conductors and connected to the equipment-grounding terminal or lead on the dishwasher.

SAVE THESE INSTRUCTIONS

Contact a qualified electrician.

Ensure that the electrical installation is adequate and in conformance with all national and local codes and ordinances.

Requirements:

- 120-volt, 60 Hz, AC-only, 15- or 20-amp fused electrical supply
- Copper wire only, 2 wire with ground

Recommended:

- Time-delay fuse or circuit breaker
- Separate circuit

Direct Wire Connection

- Use flexible, armored or nonmetallic sheathed, copper wire with grounding wire that meets the wiring requirements for your home and local codes and ordinances.
- Use strain relief method provided with house wiring junction box or install a UL-listed/CSA-certified clamp connector to the house wiring junction box. If using conduit, use a UL-listed/CSA-certified conduit connector.

Power Supply Cord Connection

Use Power Supply Cord Kit (Part Number 4317824) marked for use with dishwashers. Kit contents include:

- Voltex, Inc., UL listed 16 gauge 3-wire power supply cord with 3 prong grounding plug
- Neer C-500 7/8" strain relief
- 3 wire connectors
- Part No. 302797 grommet

Follow the kit instructions for installing the power supply cord.

NOTE: Power supply cord must plug into a mating three prong, grounded outlet, located in the cabinet next to the dishwasher opening. Outlet must meet all local codes and ordinances.

IMPORTANT: If you plan to install a garbage disposal, an additional separate 120-volt, 60 Hz, AC-only, 15- or 20-amp fused electrical supply is required.

Water Supply Requirements

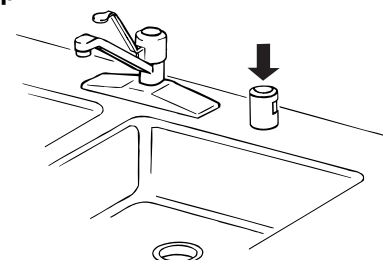
- A hot water line with 20-120 psi (138-862 kPa) water pressure.
 - 120°F (49°C) water temperature at dishwasher.
 - 3/8" O.D. copper tubing with compression fitting or flexible braided water supply line.
- NOTE:** 1/2" minimum plastic tubing is not recommended.
- 90° elbow with 3/8" N.P.T. external pipe threads on one end.

IMPORTANT: Do not solder within 6" (15.2 cm) from water inlet valve.

Drain Requirements

- Use the new drain hose supplied with your dishwasher.
- NOTE:** If a longer drain hose is required:
- Use a new drain hose with maximum length of 10 ft (3 m) that meets all current AHAM/IAPMO test standards
 - Use a new drain hose that is resistant to heat and detergent
 - Use a new drain hose that fits the 1" (2.5 cm) drain connector on the dishwasher.
- Connect drain hose to waste tee or disposal inlet above drain trap in house plumbing.
 - Connect drain hose to house plumbing 20" (50.8 cm) minimum above the floor.
- NOTE:** It is recommended that the drain hose either be looped up and securely fastened to the underside of the counter, or be connected to an air gap.
- Use a drain air gap if the drain hose is connected to house plumbing lower than 18" (45.7 cm) above the subfloor or floor.

Drain Air Gap



- Use 1/2" (1.3 cm) minimum I.D. drain line fittings.

NOTE: Do not connect drain lines from other devices to the dishwasher drain hose.

INSTALLATION INSTRUCTIONS

⚠ WARNING



Electrical Shock Hazard

Disconnect electrical power at the fuse box or circuit breaker box before installing dishwasher.

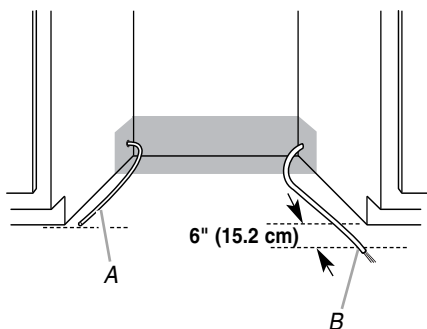
Failure to do so can result in death or electrical shock.

1. Disconnect power.
2. Turn off water supply.

Prepare Cabinet Opening—Existing Utility Hookups

Follow the steps in this section if you are installing the dishwasher in an existing cabinet opening with utility hookups.

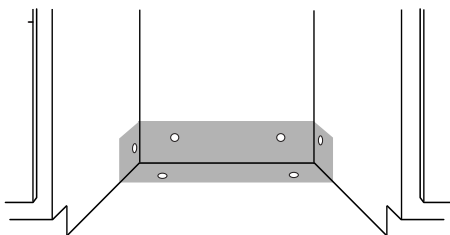
1. Check that the water supply line reaches to the front left-hand side of the opening where the water connection will be made.
2. Check that the direct wire reaches to the front right-hand side of the opening where the electrical connection will be made.



A. Water supply line
B. Direct wire

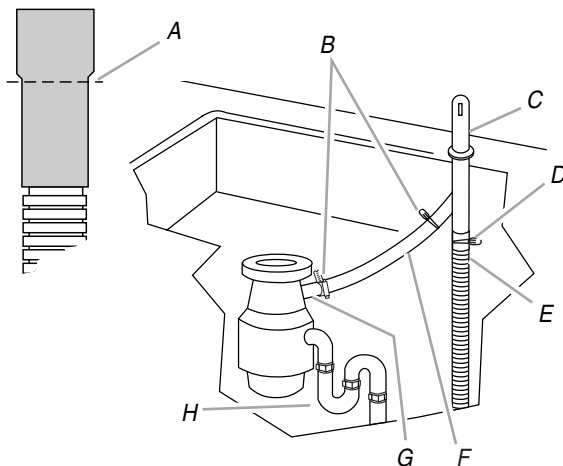
IMPORTANT: Always use a new drain hose even when installing a new replacement dishwasher.

3. Drill a 1½" (3.8 cm) diameter hole in the cabinet wall or floor on the side of the opening closest to the sink.



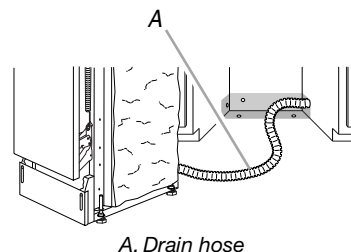
Connect Drain Hose to Air Gap—Waste Disposal

1. Remove the waste disposal knockout plug. Cut the end of the drain hose, if needed.
NOTE: Do not cut the ribbed section.
2. Attach the drain hose to the air gap with the large spring-type clamp.
NOTE: If the drain hose was cut, use 1½" to 2" (3.8 to 5 cm) screw-type clamp (not provided).
3. Use a rubber hose connector (not provided) with spring- or screw-type clamps (not provided) to connect the air gap to the waste disposal inlet above the drain trap and at least 20" (50.8 cm) above the floor.



A. Drain hose—cut here, if needed
B. Spring- or screw-type clamps
C. Air gap
D. Large spring-type clamp
E. Drain hose
F. Rubber hose connector
G. Disposal inlet
H. Drain trap

4. Insert the drain hose through the hole cut in the cabinet and to the center front of the opening where the drain connection will be made.



A. Drain hose

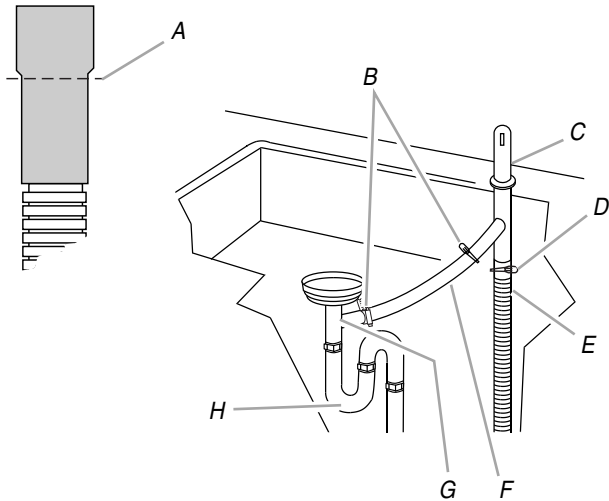
Connect Drain Hose to Air Gap—No Waste Disposal

1. Cut the end of the drain hose, if needed.
NOTE: Do not cut the ribbed section.

- Attach the drain hose to the air gap with the large spring-type clamp.

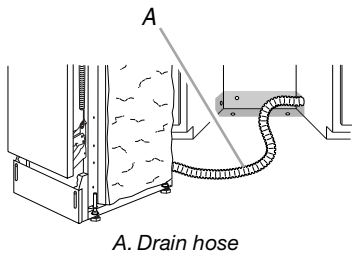
NOTE: If the drain hose was cut, use 1½" to 2" (3.8 to 5 cm) screw-type clamp (not provided).

- Use a rubber hose connector (not provided) with spring- or screw-type clamps (not provided) to connect the air gap to the waste tee above the drain trap and at least 20" (50.8 cm) above the floor.



- | | |
|-----------------------------------|--------------------------|
| A. Drain hose—cut here, if needed | E. Drain hose |
| B. Spring- or screw-type clamps | F. Rubber hose connector |
| C. Air gap | G. Waste tee |
| D. Large spring-type clamp | H. Drain trap |

- Insert the drain hose through the hole cut in the cabinet and to the center front of the opening where the drain connection will be made.

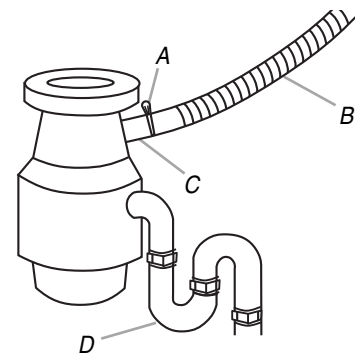


A. Drain hose

Connect Drain Hose to Waste Disposal—No Air Gap

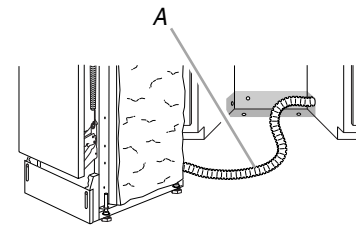
- Remove the waste disposal knockout plug.
NOTE: Do not cut the end of the drain hose.
- Attach the drain hose to the waste disposal inlet with the large spring-type clamp.
This connection must be before the drain trap and at least 20" (50.8 cm) above the floor.

NOTE: It is recommended that the drain hose be looped up and securely fastened to the underside of the counter.



- | | |
|----------------------------|-------------------|
| A. Large spring-type clamp | C. Disposal inlet |
| B. Drain hose | D. Drain trap |

- Insert the drain hose through the hole cut in the cabinet and to the center front of the opening where the drain connection will be made.

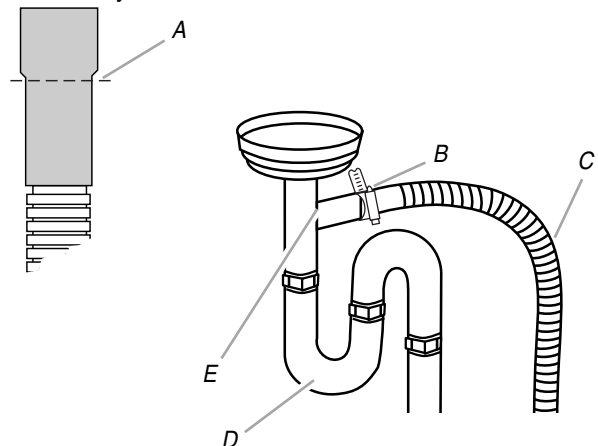


A. Drain hose

Connect Drain Hose—No Waste Disposal or Air Gap

- Cut the end of the drain hose, if needed.
NOTE: Do not cut the ribbed section.
- Attach the drain hose to the waste tee with the 1½" to 2" (3.8 cm to 5 cm) screw-type clamp (not provided).
This connection must be before the drain trap and at least 20" (50.8 cm) above the floor.

NOTE: It is recommended that the drain hose be looped up and securely fastened to the underside of the counter.



- | | |
|-----------------------------------|---------------|
| A. Drain hose—cut here, if needed | D. Drain trap |
| B. Screw-type clamp | E. Waste tee |
| C. Drain hose | |

Prepare Cabinet Opening—No Existing Utility Hookups

⚠ WARNING



Electrical Shock Hazard

Plug into a grounded 3 prong outlet.

Do not remove ground prong.

Do not use an adapter.

Do not use an extension cord.

Failure to follow these instructions can result in death, fire, or electrical shock.

GROUNDING INSTRUCTIONS

■ For a grounded, cord-connected dishwasher:

The dishwasher must be grounded. In the event of a malfunction or breakdown, grounding will reduce the risk of electric shock by providing a path of least resistance for electric current. The dishwasher is equipped with a cord having an equipment-grounding conductor and a grounding plug. The plug must be plugged into an appropriate outlet that is installed and grounded in accordance with all local codes and ordinances.

WARNING: Improper connection of the equipment-grounding conductor can result in a risk of electric shock. Check with a qualified electrician or service representative if you are in doubt whether the dishwasher is properly grounded. Do not modify the plug provided with the dishwasher; if it will not fit the outlet, have a proper outlet installed by a qualified electrician.

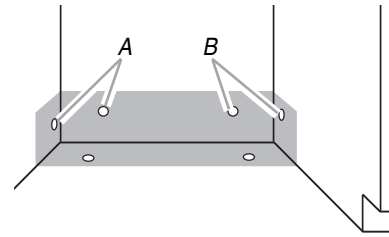
■ For a permanently connected dishwasher:

The dishwasher must be connected to a grounded metal, permanent wiring system, or an equipment-grounding conductor must be run with the circuit conductors and connected to the equipment-grounding terminal or lead on the dishwasher.

SAVE THESE INSTRUCTIONS

Install Electrical Connection—Direct Wire Method

1. Drill a $\frac{3}{4}$ " (1.9 cm) hole in the right-hand cabinet side, the rear or floor of opening.

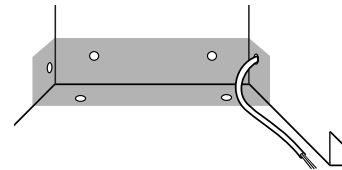


A. Optional locations
B. Preferred locations

2. If the cabinet is wood, sand hole until smooth. If the cabinet is metal, cover the hole with a grommet (not provided).
3. Route the wire into the house wiring junction box.
4. Install a UL listed/CSA certified clamp connector (strain relief) for flexible-type wire.

NOTE: If installing conduit, attach a UL listed/CSA certified conduit connector to the junction box.

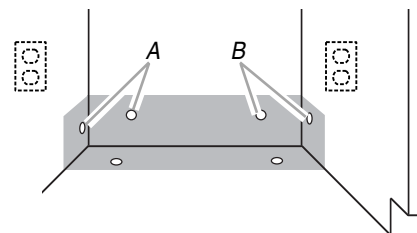
5. Route the other end of the wire through the cabinet hole. The cable must extend to the right-hand front side of the cabinet opening.



Install Electrical Connection—Power Supply Cord Method

NOTE: A mating, grounded 3 prong outlet is required in a cabinet next to the dishwasher opening.

1. Drill a $\frac{3}{4}$ " (1.9 cm) hole in the right-hand cabinet side, the rear or floor of opening.

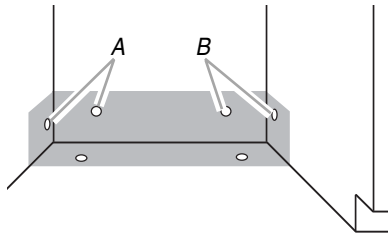


A. Optional locations
B. Preferred locations

2. If the cabinet is wood, sand hole until smooth. If the cabinet is metal, cover the hole with a grommet (Part Number 302797) included with power supply cord kit.

Install Water Line

1. Drill a 1/2" (1.3 cm) hole in the left-hand cabinet side, the rear or floor of opening.



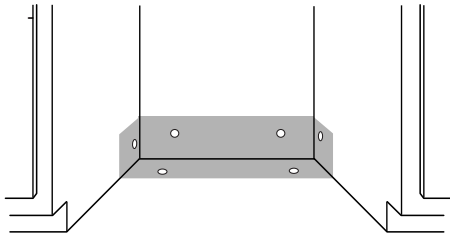
A. Optional locations
B. Preferred locations

2. Measure the overall length of the copper tubing required.
3. Attach the copper tubing to the water supply line with a manual shutoff valve.
4. Slowly feed the copper tubing through the hole in the cabinet.
NOTE: The copper tubing will bend and kink easily.
The copper tubing should be far enough into the cabinet opening to connect it to the dishwasher inlet on the front left-hand side of the dishwasher.
5. Turn on the water shutoff valve. Run water into a shallow pan to flush the copper tubing of particles that may clog the inlet valve.
6. Turn off the shutoff valve.

Connect Drain Hose to Air Gap—Waste Disposal

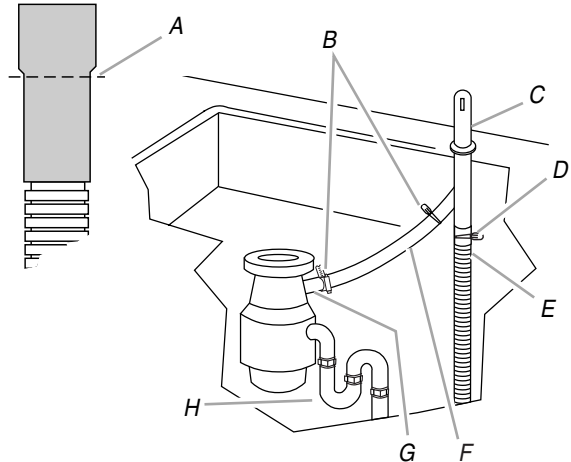
IMPORTANT: Always use a new drain hose even when installing a new replacement dishwasher.

1. Drill a 1 1/2" (3.8 cm) diameter hole in the cabinet wall or floor on the side of the opening closest to the sink.



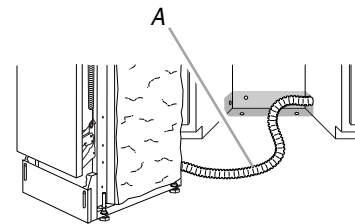
2. Remove the waste disposal knockout plug. Cut the end of the drain hose, if needed.
NOTE: Do not cut the ribbed section.
3. Attach the drain hose to the air gap with the large spring-type clamp.
NOTE: If the drain hose was cut, use 1 1/2" to 2" (3.8 to 5 cm) screw-type clamp (not provided).

4. Use a rubber hose connector (not provided) with spring- or screw-type clamps (not provided) to connect the air gap to the waste disposal inlet above the drain trap and at least 20" (50.8 cm) above the floor.



A. Drain hose—cut here, if needed
B. Spring- or screw-type clamps
C. Air gap
D. Large spring-type clamp
E. Drain hose
F. Rubber hose connector
G. Disposal inlet
H. Drain trap

5. Insert the drain hose through the hole cut in the cabinet and to the center front of the opening where the drain connection will be made.

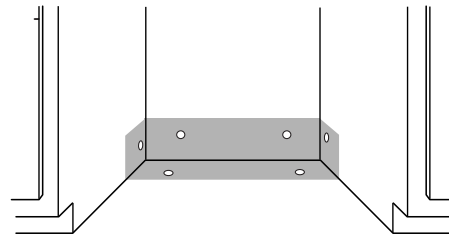


A. Drain hose

Connect Drain Hose to Air Gap—No Waste Disposal

IMPORTANT: Always use a new drain hose even when installing a new replacement dishwasher.

1. Drill a 1 1/2" (3.8 cm) diameter hole in the cabinet wall or floor on the side of the opening closest to the sink.

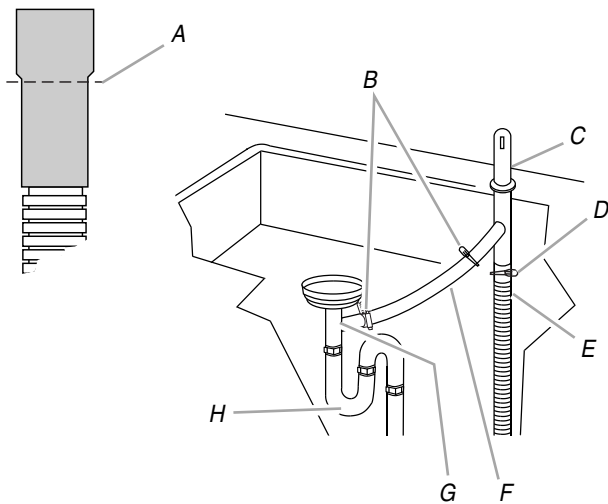


2. Cut the end of the drain hose, if needed.
NOTE: Do not cut the ribbed section.

3. Attach the drain hose to the air gap with the large spring-type clamp.

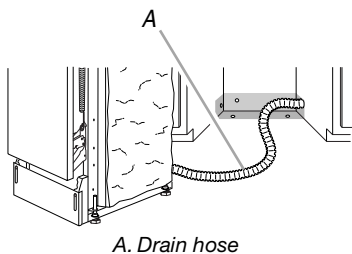
NOTE: If the drain hose was cut, use 1½" to 2" (3.8 to 5 cm) screw-type clamp (not provided).

4. Use a rubber hose connector (not provided) to connect the air gap to the waste tee above the drain trap and at least 20" (50.8 cm) above the floor.



- | | |
|-----------------------------------|--------------------------|
| A. Drain hose—cut here, if needed | E. Drain hose |
| B. Spring- or screw-type clamps | F. Rubber hose connector |
| C. Air gap | G. Waste tee |
| D. Large spring-type clamp | H. Drain trap |

5. Insert the drain hose through the hole cut in the cabinet and to the center front of the opening where the drain connection will be made.

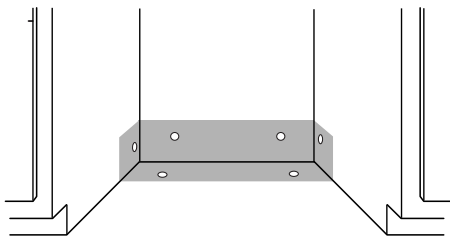


A. Drain hose

Connect Drain Hose to Waste Disposal—No Air Gap

IMPORTANT: Always use a new drain hose even when installing a new replacement dishwasher.

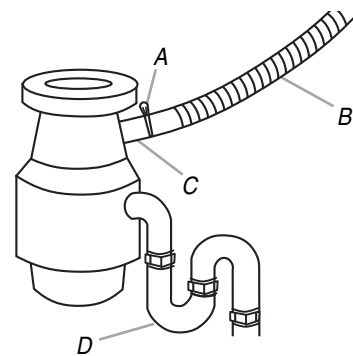
1. Drill a 1½" (3.8 cm) diameter hole in the cabinet wall or floor on the side of the opening closest to the sink.



2. Remove the waste disposal knockout plug.
NOTE: Do not cut the end of the drain hose.
3. Attach the drain hose to the waste disposal inlet with the large spring-type clamp.

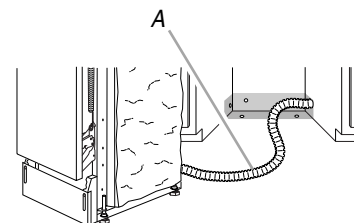
This connection must be before the drain trap and at least 20" (50.8 cm) above the floor.

NOTE: It is recommended that the drain hose be looped up and securely fastened to the underside of the counter.



- | | |
|----------------------------|-------------------|
| A. Large spring-type clamp | C. Disposal inlet |
| B. Drain hose | D. Drain trap |

4. Insert the drain hose through the hole cut in the cabinet and to the center front of the opening where the drain connection will be made.

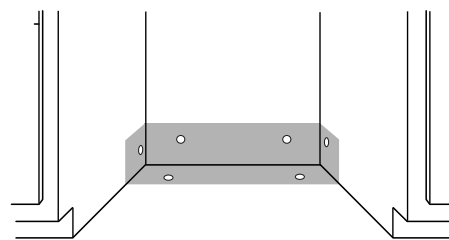


A. Drain hose

Connect Drain Hose—No Waste Disposal or Air Gap

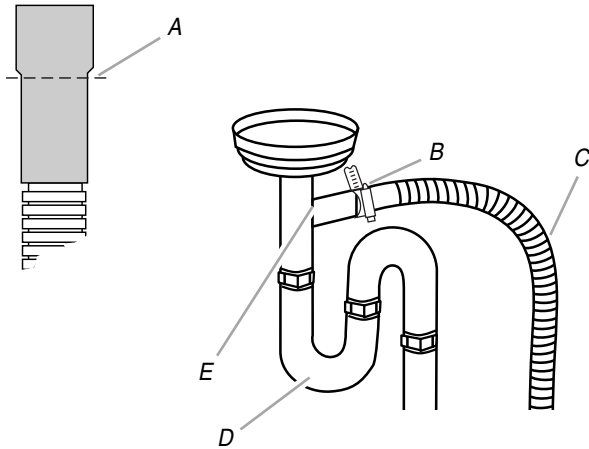
IMPORTANT: Always use a new drain hose even when installing a new replacement dishwasher.

1. Drill a 1½" (3.8 cm) diameter hole in the cabinet wall or floor on the side of the opening closest to the sink.



2. Cut the end of the drain hose, if needed.
NOTE: Do not cut the ribbed section.
3. Attach the drain hose to the waste tee with the 1½" to 2" (3.8 cm to 5 cm) screw-type clamp (not provided).
This connection must be before the drain trap and at least 20" (50.8 cm) above the floor.

NOTE: It is recommended that the drain hose be looped up and securely fastened to the underside of the counter.



A. Drain hose—cut here, if needed
B. Screw-type clamp
C. Drain hose

D. Drain trap
E. Waste tee

Install Dishwasher

WARNING



Tip Over Hazard

Do not use dishwasher until completely installed.
Do not push down on open door.
Doing so can result in serious injury or cuts.

WARNING

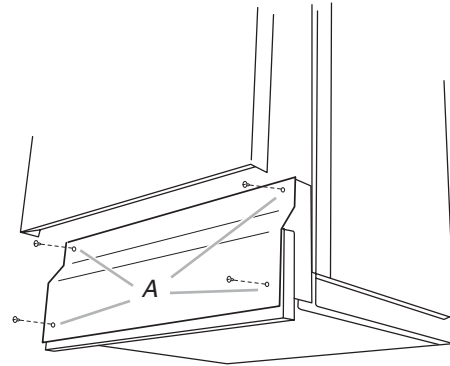
Excessive Weight Hazard

Use two or more people to move and install dishwasher.
Failure to do so can result in back or other injury.

Prepare Dishwasher for Installation

- Using 2 or more people, place the dishwasher on its back on a piece of cardboard.

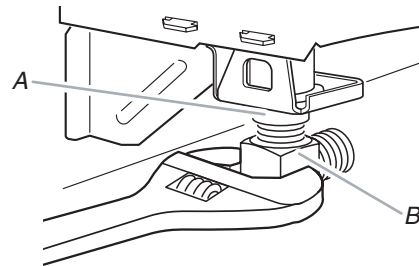
- Using a 1/4" hex socket, nut driver or Phillips screwdriver, remove the 4 screws attaching the toe-kick panel and lower panel to the dishwasher.



A. Screws

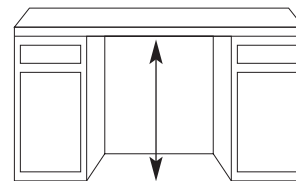
- Remove both panels and set aside on a protected surface.
- Apply thread seal tape to 90° elbow fitting and connect fitting to water inlet valve.
- Tighten elbow until snug.

NOTE: Elbow should face to the rear of the dishwasher.

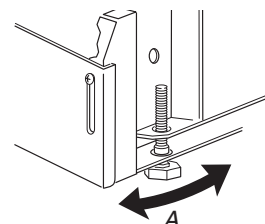


A. Water inlet valve
B. Elbow

- Remove terminal box cover.
 - Direct Wire—Install a U.L. listed/CSA certified clamp connector to the terminal box. If using conduit, use a U.L. listed/CSA certified conduit connector.
 - Power Supply Cord—Install a power supply cord kit that is U.L. listed and marked for use with dishwashers (Part Number 4317824).
- Measure the shortest opening height between the underside of the countertop and the floor where the dishwasher will be installed.



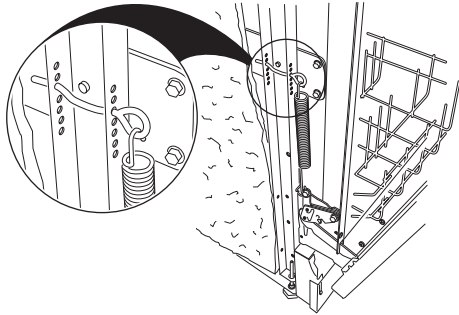
- Extend leveling legs out from the dishwasher base, 1/4" less than the shortest opening height.



A. Leveling leg

Check Door Spring Tension

1. Using 2 or more people, place the dishwasher upright in front of cabinet opening.
2. With one person holding the dishwasher to avoid tipping, open and close the dishwasher door a few times. If the door closes easily or falls open under its own weight, adjust the tension.
 - If the door closes too quickly, decrease the spring tension by pulling the spring adjustment pin out of its hole and reinsert it into the next hole toward the back of the dishwasher.
 - If the door falls open, increase the spring tension by pulling the spring adjustment pin out of its hole and reinserting it into the next hole toward the top of the dishwasher.

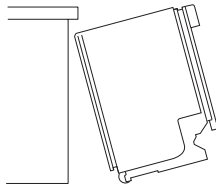


NOTE: The spring adjustment pins should be in the same holes on both the left-hand and right-hand sides of the dishwasher.

Move Dishwasher into Cabinet Opening

1. Using 2 or more people, grasp the sides of the dishwasher at the edges of the door panel and move dishwasher close to the cabinet opening.

NOTE: Do not push on the front of the panel or on the console to avoid bending or denting them.



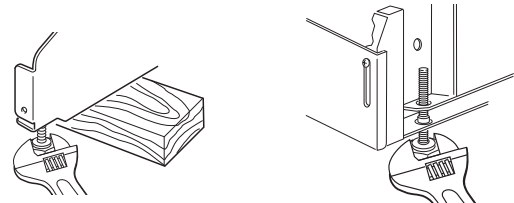
2. If direct wired, check that the power supply wire is on the right-hand side at the front of the cabinet opening. If using a power supply cord, insert the power supply cord through the hole cut in the cabinet wall.
3. Check that the water supply line is on the left-hand side of the cabinet opening.
4. Check that the drain hose is near the center and to the front of the cabinet opening.
5. Slowly move the dishwasher into place inside the cabinet opening with the front corners of the dishwasher door flush with the cabinet doors.

NOTES:

- Do not kink or pinch the copper tubing, drain hose, power supply cord or the direct wire between the dishwasher and the cabinet.
 - Do not removed the insulation blanket from dishwasher to allow the dishwasher to fit easier into the cabinet opening. The insulation blanket reduces the sound level when the dishwasher is operating.
6. If needed, support the front of the dishwasher by raising, lowering or shimming the front legs.
 7. Remove cardboard from beneath the dishwasher.

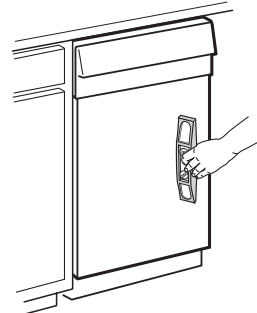
Level the Dishwasher

1. Align the front of the dishwasher door panel with the cabinet doors by adjusting the front legs using the 6" (15.24 cm) adjustable wrench.

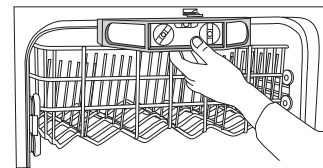


2. Check that the leveling legs are firmly against the floor.
3. Close and latch the dishwasher door.
4. Place a level against the front panel above the leg to check that the dishwasher is plumb. If needed, adjust the leveling leg or add shims until the dishwasher is plumb.

NOTE: Shims must be securely attached to the floor to avoid their movement during dishwasher operation.



5. Repeat for the other side of the dishwasher.
6. Place the level against the top front opening of the tub. Check that the dishwasher is level from side to side. If the dishwasher is not level, adjust the front legs up or down until the dishwasher is level.



Make Electrical Connections—Direct Wire Method

Check "Electrical Requirements" section before beginning. Ensure that the electrical installation is adequate and in conformance with all national and local codes and ordinances.

⚠ WARNING



Electrical Shock Hazard

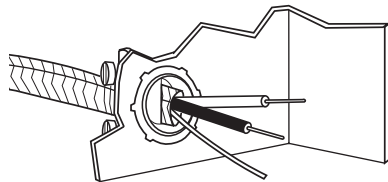
Electrically ground dishwasher.

Connect ground wire to green ground connector in terminal box.

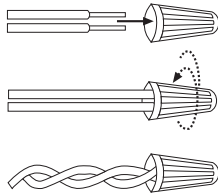
Do not use an extension cord.

Failure to follow these instructions can result in death, fire, or electrical shock.

1. Route the direct wire so that it does not touch the dishwasher motor or lower part of the dishwasher tub.
2. Pull the direct wire through the hole in the terminal box.

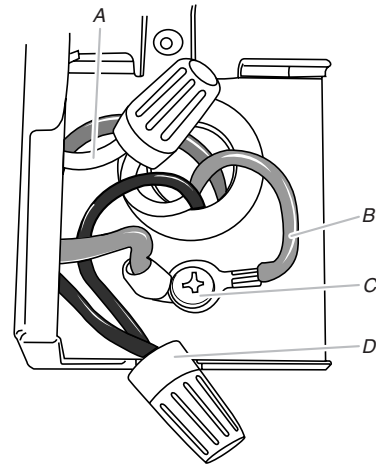


3. Using twist-on connectors sized to connect direct wire to 16-gauge dishwasher wire, connect the white wire from the power supply to the white wire on the terminal box.



4. Using twist-on connectors sized to connect direct wire to 16-gauge dishwasher wire, connect the black wire from the power supply to the black wire on the terminal box.
5. Using twist-on connectors sized to connect direct wire to 16-gauge dishwasher wire, connect the ground wires from the

power supply to the green ground connector on the terminal box.



- A. White wire to white wire
B. Ground wires to green ground connector
C. Grounding screw
D. Black wire to black wire

6. Tighten the clamp connector or conduit connector screws.
7. Reinstall the terminal box cover with the wires inside terminal box.
8. Check that no wires are pinched by the cover.

Make Electrical Connections—Power Supply Cord Method

⚠ WARNING



Electrical Shock Hazard

Plug into a grounded 3 prong outlet.

Do not remove ground prong.

Do not use an adapter.

Do not use an extension cord.

Failure to follow these instructions can result in death, fire, or electrical shock.

Use Power Supply Cord Kit (Part Number 4317824) marked for use with dishwashers. Kit contents include:

- Voltex, Inc., UL listed 16 gauge 3-wire power supply cord with 3 prong grounding plug
- Neer C-500 7/8" strain relief
- 3 wire connectors
- Part No. 302797 grommet

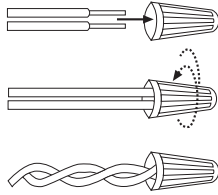
Follow the kit instructions for installing the power supply cord.

NOTE: Power supply cord must plug into a mating three prong, grounded outlet, located in the cabinet next to the dishwasher opening. Outlet must meet all local codes and ordinances.

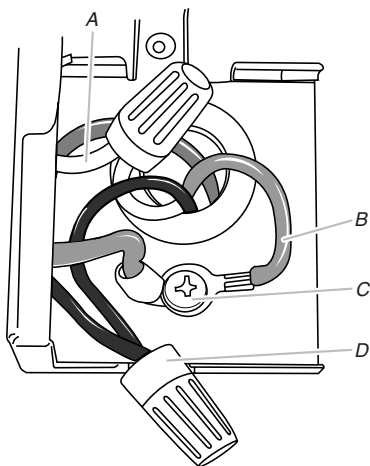
IMPORTANT: If you plan to install a garbage disposal, an additional separate 120-volt, 60 Hz, AC-only, 15- or 20-amp fused electrical supply is required.

1. Remove the terminal box cover.

- Using twist-on connectors sized to connect power supply cord to 16-gauge dishwasher wire, connect the white wire from the power supply cord to the white wire on the terminal box.



- Using twist-on connectors sized to connect power supply cord to 16-gauge dishwasher wire, connect the black wire from the power supply cord to the black wire on the terminal box.
- Using twist-on connectors sized to connect power supply cord to 16-gauge dishwasher wire, connect the ground wire from the power supply cord to the green ground connector on the terminal box.



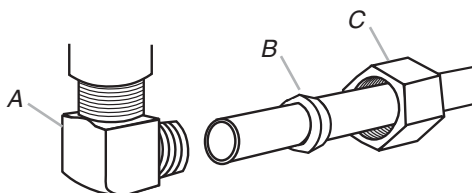
- A. White wire to white wire
- B. Ground wires to green ground connector
- C. Grounding screw
- D. Black wire to black wire

- Reinstall the terminal box cover with the wires inside terminal box.
- Check that no wires are pinched by the cover.
- Plug power supply cord into a grounded 3 prong outlet.
- Check that the power supply cord does not touch the dishwasher motor or lower part of dishwasher tub.

Connect Dishwasher to Water Supply

- Route the water supply line so that it does not touch the dishwasher base, frame or motor.
- Slide the nut onto the copper tubing about 1" (2.5 cm).
- Slide the ferrule onto the tubing.

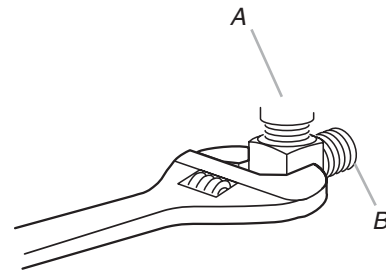
NOTE: Do not position ferrule on the end of the tubing.



- A. Elbow
- B. Ferrule
- C. Nut

- Push the tubing into the elbow as far as it will go.
- Slide the nut and ferrule forward and start the nut onto the elbow threads. Avoid bending or kinking the copper tubing.
- With the copper tubing pushed into the compression fitting as far as it will go, use a wrench and tighten the compression fitting nut to elbow on water inlet valve.

NOTE: Do not use Teflon® tape with compression fittings.



- A. Water inlet valve
- B. Elbow

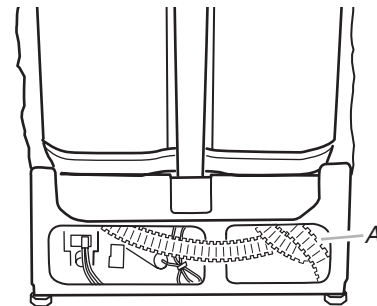
- Place paper towel under the elbow.
- Turn on the water supply.
- Check for leaks.

Connect Dishwasher to Drain

- Route the drain hose so that it does not touch the dishwasher motor, door springs, water line, cabinet, flooring or the edge of the hole where it passes through the cabinet.

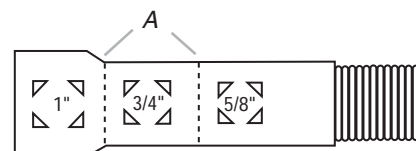
NOTE: Do not remove the drain loop from the side of the dishwasher.

- Place the shallow pan under the end of the drain hose. The pan will collect any water in the drain hose.



A. Drain hose

- Cut on the molded end of the drain hose to fit 1" (2.5 cm), 3/4" (1.9 cm) or 5/8" (1.6 cm) diameter connections on the air gap, waste tee or waste disposal.



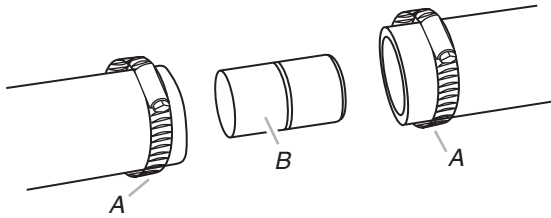
A. Cutting lines

- If a longer drain hose is required, add up to 42" (107 cm) of length for a total of 10 ft (3 m) to the factory-installed drain hose.

NOTE: Total drain hose length must not exceed 10 ft (3 m) for proper drain operation.

©Teflon is a registered trademark of E.I. DuPont de Nemours and Company.

- Using $\frac{5}{8}$ " or $\frac{7}{8}$ " I.D. hose and a coupler, connect the 2 drain hose ends with hose clamps.



A. Hose clamps
B. Coupler

- Connect the drain hose to the air gap, waste tee or disposal with clamps.

Attach Dishwasher to Cabinet

⚠ WARNING

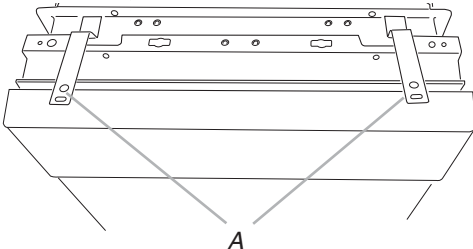


Tip Over Hazard

Do not use dishwasher until completely installed.
Do not push down on open door.
Doing so can result in serious injury or cuts.

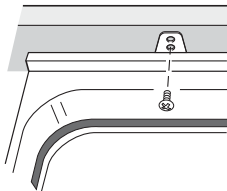
- Open the dishwasher door and remove the lower dish rack.
- Place a towel over the pump assembly and spray arm of dishwasher to keep screws from falling into pump area during installation.
- Check that the dishwasher is level and centered side to side in the opening.
- Check that the tub flange aligns with the front face of the cabinet frame.
- Attach the dishwasher to the countertop using the 2 brackets on top of the dishwasher.

NOTE: The dishwasher must be attached to the countertop to keep it from tipping when the door is opened.

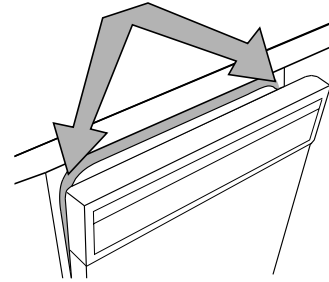


A. Brackets

- Insert 2 #8 x $\frac{5}{8}$ " Phillips flat-head screws through the brackets and into the countertop.



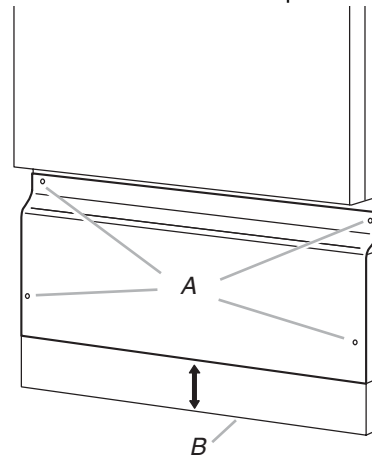
- Open the door about 3" (7.6 cm) and check that the space between the inner door and tub is equal on both sides.
- If spacing is not equal, loosen the bracket screws and shift the tub. Retighten bracket screws.
- Check that the top of the door does not contact the screws, brackets or countertop. If it does, the dishwasher must be lowered and leveled again. See "Level Dishwasher" in "Install Dishwasher."



- Remove towel from dishwasher.
- Reinstall the lower dish rack.

Complete Installation

- Place the lower panel behind the toekick panel.
- Place the 2 panels against the legs of the dishwasher.
- Align the slots on the inner panel with the toekick bracket screw holes. The lower panel should be touching the floor.
- Insert the 4 toekick screws into the top 4 screw holes.



A. Top 4 screw holes
B. 2-piece toekick

Direct Wire Method

! WARNING



Electrical Shock Hazard

Electrically ground dishwasher.

Connect ground wire to green ground connector in terminal box.

Do not use an extension cord.

Failure to follow these instructions can result in death, fire, or electrical shock.

Power Supply Cord Method

! WARNING



Electrical Shock Hazard

Disconnect power before servicing.

Replace all parts and panels before operating.

Failure to do so can result in death or electrical shock.

5. Reconnect power or plug in dishwasher.

Check Dishwasher Operation

1. Read the User Instructions that came with your dishwasher.
2. Check that all parts have been installed and no steps were skipped.
3. Check that you have all the tools you used.
4. Start the dishwasher and allow it to complete the shortest wash cycle.
5. After 2 minutes, unlatch the door. Wait 5 seconds, and then open the door.
6. Check to see that there is water in the bottom of the dishwasher tub.
7. Check that the dishwasher is working properly.

If you need Assistance or Service

Please reference the "Assistance or Service" section of your User Instructions or contact the dealer from whom you purchased your dishwasher.

SÉCURITÉ DU LAVE-VAISSELLE

Votre sécurité et celle des autres est très importante.

Nous donnons de nombreux messages de sécurité importants dans ce manuel et sur votre appareil ménager. Assurez-vous de toujours lire tous les messages de sécurité et de vous y conformer.



Voici le symbole d'alerte de sécurité.

Ce symbole d'alerte de sécurité vous signale les dangers potentiels de décès et de blessures graves à vous et à d'autres.

Tous les messages de sécurité suivront le symbole d'alerte de sécurité et le mot "DANGER" ou "AVERTISSEMENT". Ces mots signifient :

⚠ DANGER

Risque possible de décès ou de blessure grave si vous ne suivez pas immédiatement les instructions.

⚠ AVERTISSEMENT

Risque possible de décès ou de blessure grave si vous ne suivez pas les instructions.

Tous les messages de sécurité vous diront quel est le danger potentiel et vous disent comment réduire le risque de blessure et ce qui peut se produire en cas de non-respect des instructions.



⚠ AVERTISSEMENT

Risque de basculement

Ne pas utiliser le lave-vaisselle jusqu'à ce qu'il soit complètement installé.

Ne pas appuyer sur la porte ouverte.

Le non-respect de ces instructions peut causer des blessures graves ou des coupures.

Instructions à respecter :

- Ouvrir lentement la porte du lave-vaisselle tandis qu'une autre personne saisit l'arrière de l'appareil. Retirer le matériel d'expédition. Fermer la porte du lave-vaisselle. Fermer la porte du lave-vaisselle en l'enclenchant pour la verrouiller.
- Respecter les dispositions de tous les codes et règlements en vigueur.
- Installer le lave-vaisselle conformément aux prescriptions des présentes instructions.
- Assurez-vous d'avoir à disposition tout ce dont vous avez besoin pour l'installation du lave-vaisselle.
- Contacter un installateur qualifié pour veiller à ce que l'installation du lave-vaisselle soit conforme aux prescriptions de tous les codes d'électricité et de plomberie locaux et nationaux.

EXIGENCES D'INSTALLATION

Outils et pièces

Rassembler les outils et composants nécessaires avant d'entreprendre l'installation. Lire et observer les instructions fournies avec chacun des outils de la liste ci-dessous.

Outillage nécessaire

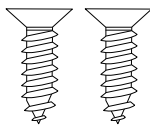
- Tournevis Phillips
- Tournevis à lame plate
- Tourne-écrous de $\frac{5}{16}$ " and $\frac{1}{4}$ "
- Mètre-ruban ou règle
- Mèches de scie à guichet de $\frac{1}{2}$ ", $\frac{3}{4}$ " and $1\frac{1}{2}$ " (1,3 mm, 1,9 mm et 3,8 cm)
- Connecteurs de fils (taille appropriée pour raccorder le câblage du domicile au câblage de diamètre 16 dans le lave-vaisselle) (2)
- Clé à molette de 6" (15,2 cm)
- Petit coupe-tube
- Niveau
- Perceuse à piles
- Foret de $\frac{1}{8}$ "
- Lampe de poche
- Plat peu profond
- Cale en bois
- Serviette de bain

Pièces nécessaires

- Coude de 90° avec filetage externe de $\frac{3}{8}$ " NPT à une extrémité.
- 1 Bride à vis de $\frac{1}{2}$ " à 2" (3,8 cm à 5,1 cm)
- Serre-câble pour trou d'un diamètre de $\frac{7}{8}$ " (22,2 cm)
- 1 Bride à vis de $\frac{1}{2}$ " à 2" (3,8 cm à 5,1 cm), si raccordement au tuyau d'évacuation en T
- Ruban pour joints filetés
- 3 connecteurs de fils (homologation UL)
- Tube de cuivre ($\frac{3}{8}$ " recommandé)

Pièces fournies

Vérifier que toutes les pièces sont présentes. Voir la liste séparée des pièces et accessoires disponibles pour le lave-vaisselle.



A. Vis à bois à tête plate Phillips n°8 x $\frac{5}{8}$ "
B. Vis assorties pour bride de calage Phillips

Exigences d'emplacement

IMPORTANT : Observer les dispositions de tous les codes et règlements en vigueur. Le non-respect de ces codes et règlements pourrait entraîner un incendie ou un choc électrique. C'est à l'utilisateur qu'incombe la responsabilité de réaliser une installation correcte.

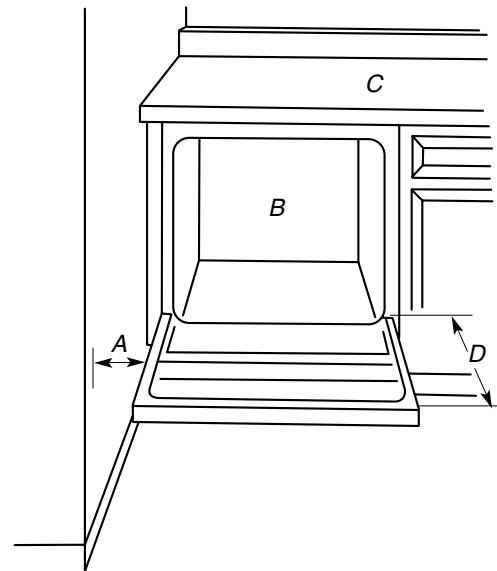
- Contacter un installateur qualifié pour veiller à ce que l'installation du lave-vaisselle soit conforme aux prescriptions de tous les codes d'électricité et de plomberie locaux et nationaux en vigueur.

- Réaliser l'installation du lave-vaisselle tel que spécifié dans ces instructions.
- Assurez-vous d'avoir à disposition tout ce dont vous avez besoin pour l'installation du lave-vaisselle.
- Abritez les lignes de lave-vaisselle et de flottaison menant au lave-vaisselle contre la congélation. Des dommages de la congélation ne sont pas couverts par la garantie.
- Ce lave-vaisselle est conçu pour un usage à l'intérieur uniquement.
- Ne pas placer de canalisations d'évacuation, canalisations d'eau ou câblage électrique à un endroit où cela susciterait interférence ou contact avec les pieds ou le moteur du lave-vaisselle.
- À l'emplacement d'installation du lave-vaisselle, on doit pouvoir établir le dégagement approprié entre le moteur et le plancher. Le moteur ne doit pas toucher le plancher.
- Ne pas installer le lave-vaisselle par-dessus un tapis.

Dégagements minimums

Inspecter l'emplacement d'installation du lave-vaisselle. Il doit comporter les caractéristiques suivantes :

- Facilité d'accès aux canalisations d'eau et d'évacuation et à la source d'électricité.
- Accès facile pour chargement et déchargement de la vaisselle. Dans le cas de l'installation dans un angle, on doit pouvoir établir un dégagement minimal de 2" (5,1 cm) entre le côté de la porte du lave-vaisselle et le mur ou le placard.
- Un dégagement minimal de 25 $\frac{1}{8}$ " (65,1 cm) est nécessaire à l'avant du lave-vaisselle afin de permettre l'ouverture complète de la porte.



A. Dégagement minimal de 2" (5,1 cm) pour l'ouverture de la porte
B. Lave-vaisselle
C. Plan de travail
D. 25 $\frac{1}{8}$ " (65,1 cm) minimum

- Veiller à ce que l'ouverture soit d'équerre pour que l'orientation soit correcte.
- Façade des placards perpendiculaire au plancher.
- Plancher de niveau. Si le plancher à l'avant du lave-vaisselle n'est pas de niveau et aligné avec l'arrière de l'ouverture, des cales seront peut-être nécessaires pour établir l'aplomb du lave-vaisselle.

REMARQUE : Pour éviter tout déplacement des cales durant le fonctionnement du lave-vaisselle, les cales doivent être solidement fixées au plancher.

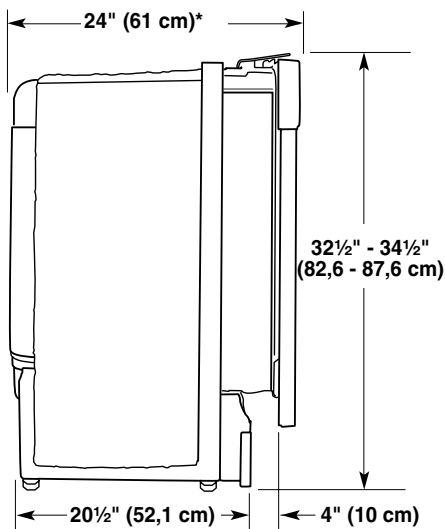
Si le lave-vaisselle ne doit pas être utilisé pendant une période prolongée ou s'il est laissé à un endroit où il pourrait être exposé au gel, on doit le faire hivériser par un technicien compétent.

Veiller à ce que les canalisations d'eau, canalisations d'évacuation et câbles électriques se trouvent dans la zone grisée illustrée à la section "Dimensions de l'ouverture d'encastrement".

Conseil utile : Si le plancher de l'ouverture d'encastrement pour le lave-vaisselle est inégal (exemple : carrelage arrivant seulement partiellement dans l'ouverture), il faut être très précis lors du relevé des dimensions et lors de l'établissement de l'aplomb du lave-vaisselle.

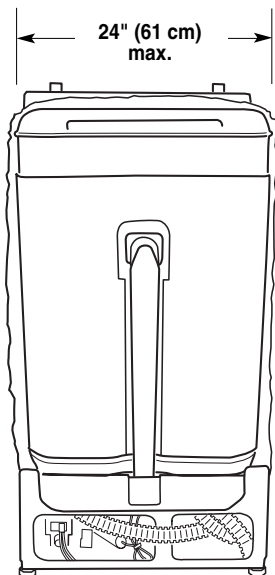
Dimensions du produit

Vue latérale



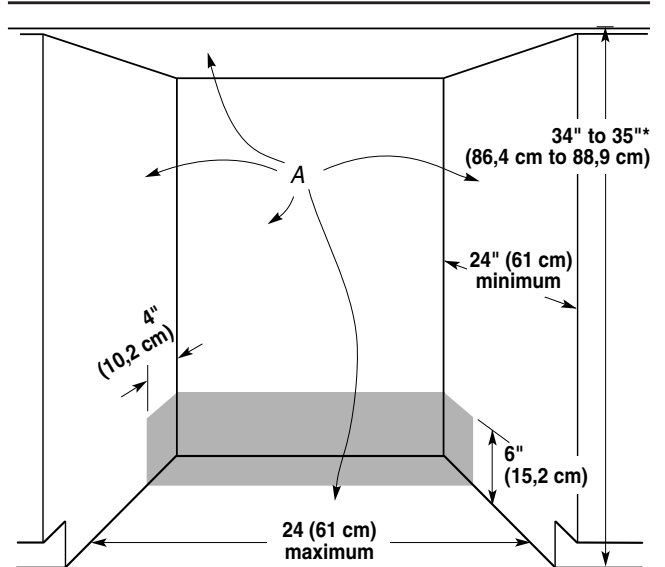
*Jusqu'à l'avant du châssis de la porte

Vue arrière



Distances de dégagement à respecter

Dimensions de l'ouverture à découper



A. Toutes les surfaces sont libres de toute intrusion

*Partie inférieure du plan de travail jusqu'au plancher

REMARQUES :

- Découper des trous dans la partie grisée des murs de placard ou du plancher pour l'entretien du système électrique et de la plomberie.
- Installation ADA – une hauteur de 32½" (82,5 cm) est réalisable sous des plans de travail élevés de 34" (86,4 cm) en réglant la bride de calage et les pieds de nivellement.

Spécifications électriques

⚠ AVERTISSEMENT



Risque de choc électrique

Brancher sur une prise à 3 alvéoles reliée à la terre.

Ne pas enlever la broche de liaison à la terre.

Ne pas utiliser un adaptateur.

Ne pas utiliser un câble de rallonge.

Le non-respect de ces instructions peut causer un décès, un incendie ou un choc électrique.

INSTRUCTIONS DE MISE À LA TERRE

■ Pour un lave-vaisselle relié à la terre, branché avec un cordon :

Le lave-vaisselle doit être relié à la terre. En cas d'un mauvais fonctionnement ou d'une panne, la mise à terre réduira le risque d'un choc électrique en fournissant le moins de résistance pour le courant électrique. Le lave-vaisselle est équipé d'un cordon avec un conducteur pour relier les appareils à la terre. La fiche doit être branchée sur une prise appropriée, installée et reliée à la terre conformément aux codes et règlements locaux.

AVERTISSEMENT : La connexion incorrecte du conducteur pour relier les appareils à la terre peut causer le risque de choc électrique. Vérifier avec un électricien compétent ou un représentant de service si vous avez des doutes si le lave-vaisselle est correctement relié à la terre. Ne pas modifier la fiche fournie avec le lave-vaisselle; si elle n'entre pas dans la prise, faire installer une prise appropriée par un électricien compétent.

■ Pour un lave-vaisselle branché en permanence :

Le lave-vaisselle doit être branché à un système d'installation électrique permanent en métal relié à la terre, ou un conducteur pour relier les appareils à la terre doit être relié avec les conducteurs du circuit et branché à une borne pour relier les appareils à la terre ou au cordon d'alimentation électrique avec le lave-vaisselle.

CONSERVEZ CES INSTRUCTIONS

Communiquer avec un électricien qualifié.

Veiller à ce que l'installation électrique soit correctement effectuée et soit conforme aux prescriptions de tous les codes locaux et nationaux en vigueur.

Spécifications :

■ Source d'alimentation de 120 V, 60 Hz, CA uniquement, de type 15 ou 20 ampères, protégée par fusible et reliée à la terre

■ Fil de cuivre uniquement, à 2 conducteurs et liaison à la terre

Recommandé :

■ Fusible ou disjoncteur temporisé

■ Circuit distinct

Méthode de raccordement direct

■ Utiliser des conducteurs de cuivre gainés non métalliques ou blindés souples avec conducteur de liaison à la terre qui satisfassent aux exigences de l'installation électrique de votre domicile, et qui soient conformes aux prescriptions des codes et règlements locaux.

■ Utiliser le type de serre-câble fourni avec la boîte de raccordement électrique du domicile ou installer un connecteur de conduit homologué UL/certifié SCA sur le boîtier de raccordement électrique du domicile. Dans le cas d'utilisation d'un conduit, utiliser un connecteur de conduit homologué UL/certifié SCA.

Raccordement du cordon d'alimentation

Utiliser l'ensemble de cordon d'alimentation électrique (pièce numéro 4317824) pour utilisation avec lave-vaisselle. L'ensemble contient:

■ Cordon d'alimentation électrique Voltex, Inc., de calibre 16 à 3 fils, homologué UL, avec prise à 3 alvéoles reliée à la terre.

■ Serre-câble Neer C-500 de 7/8".

■ Connecteurs à 3 conducteurs

■ Œillet - pièce n° 302797

Suivre les instructions de l'ensemble pour l'installation du cordon d'alimentation électrique.

REMARQUE : Le cordon d'alimentation électrique doit être branché dans une prise de configuration correspondante à trois alvéoles reliée à la terre dans le placard, près de l'ouverture du lave-vaisselle. La prise doit être conforme à tous les codes et règlements locaux.

IMPORTANT : Si l'on prévoit d'installer un broyeur de déchets, une source d'alimentation électrique distincte de 120 V, 60 Hz, CA uniquement, protégée par fusible de 15 ou 20 ampères est nécessaire.

Spécifications de l'alimentation en eau

■ Canalisations d'eau chaude, sous pression de 20 à 120 lb/po2 (138-862 kPa).

■ Température de l'eau du lave-vaisselle à 120°F (49°C).

■ Tube de cuivre de 3/8" de diamètre externe avec raccord de compression ou canalisation d'alimentation en eau flexible à tresse d'acier.

REMARQUE : L'emploi d'un tuyau de plastique d'un minimum de 1/2" n'est pas recommandé.

■ Coude de 90° avec filetage externe de 3/8" NPT à une extrémité.

IMPORTANT : Ne pas souder à moins de 6" (15,2 cm) de l'électrovanne d'admission d'eau.

Exigences d'évacuation

- Utiliser le tuyau d'évacuation neuf fourni avec le lave-vaisselle.

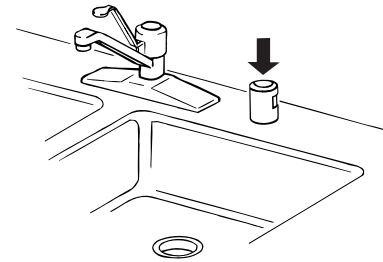
REMARQUE : Si un tuyau d'évacuation plus long est nécessaire :

- Utiliser un nouveau tuyau d'évacuation d'une longueur maximale de 10 pi (3 m) qui soit conforme à toutes les normes de test AHAM/IAPMO en vigueur.
- Utiliser un nouveau tuyau d'évacuation qui soit résistant à la chaleur et aux détergents.
- Utiliser un nouveau tuyau d'évacuation qui convienne au raccord d'évacuation de 1" (2,5 cm) sur le lave-vaisselle.
- Raccorder le tuyau d'évacuation au raccord en T ou à l'entrée du broyeur de déchets située au-dessus du siphon, dans la canalisation d'égoût du domicile.
- Raccorder le tuyau d'évacuation à la canalisation d'égoût du domicile à au moins 20" (50,8 cm) du plancher.

REMARQUE : On recommande de lover le tuyau d'évacuation et de le fixer solidement sur la face inférieure du plan de travail, ou de le raccorder à un dispositif de brise-siphon.

- Utiliser un dispositif de brise-siphon si le tuyau d'évacuation est connecté à la canalisation d'égoût de la maison à moins de 18" (45,7 cm) au-dessus du sous-plancher ou du plancher.

Dispositif de brise-siphon



- Utiliser des raccords de diamètre intérieur de 1/2" (1,3 cm) minimum.

REMARQUE : Ne pas raccorder de canalisation d'évacuation au tuyau d'évacuation du lave-vaisselle à partir d'autres dispositifs.

INSTRUCTIONS D'INSTALLATION

⚠ AVERTISSEMENT



Risque de choc électrique

Interrompre l'alimentation électrique avant d'installer le lave-vaisselle (au niveau du tableau de distribution - fusible ou disjoncteur)

Le non-respect de cette instruction peut causer un décès ou un choc électrique.

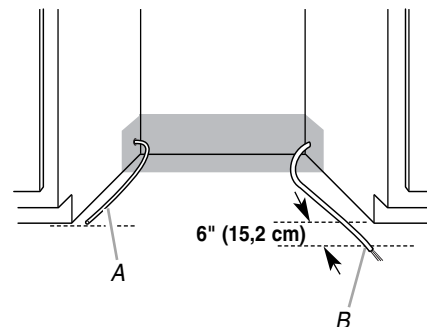
1. Déconnecter la source de courant électrique.
2. Fermer l'alimentation en eau.

Préparation de l'ouverture d'encastrement du placard - Moyens de raccordement préexistants

Procéder conformément aux instructions de cette section pour l'installation de l'appareil à un emplacement déjà doté de moyens de raccordement.

1. Vérifier que la canalisation d'eau atteint le côté avant gauche de l'espace d'installation, là où le raccordement en eau sera effectué.

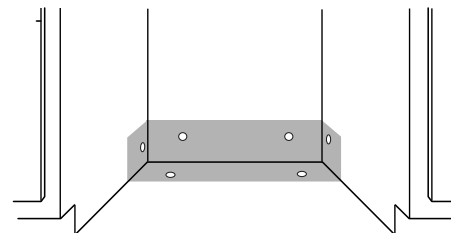
2. Vérifier que le câble d'alimentation direct atteint le côté avant droit de l'ouverture d'encastrement, là où le raccordement électrique sera effectué.



A. Canalisation d'alimentation en eau
B. Câblage direct

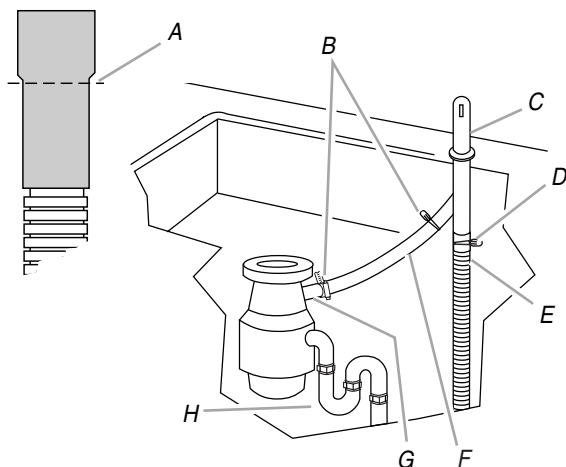
IMPORTANT : On doit toujours utiliser un tuyau d'évacuation neuf, même pour l'installation d'un lave-vaisselle de remplacement.

3. Percer un trou de diamètre 1 1/2" (3,8 cm) dans la paroi ou dans le plancher du placard sur le côté de l'ouverture d'encastrement la plus proche de l'évier.



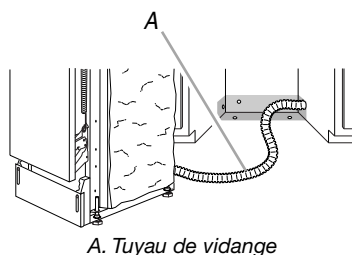
Raccordement du tuyau d'évacuation au dispositif de brise-siphon - Broyeur de déchets

1. Ôter l'opercule arrachable du broyeur à déchets. Couper l'extrémité du tuyau d'évacuation si nécessaire.
REMARQUE : Ne pas couper la section ondulée.
2. Connecter le tuyau d'évacuation au dispositif de brise-siphon avec la grosse bride à ressort.
REMARQUE : Si le tuyau d'évacuation a été coupé, utiliser une bride de tuyau à vis de 1½" à 2" (3,8 à 5 cm) (non fournie).
3. Utiliser un connecteur de tuyau de caoutchouc (non fourni) avec une bride à vis ou à ressort (non fournie) pour raccorder le dispositif de brise-siphon au tuyau d'évacuation situé au-dessus du siphon et à au moins 20" (50,8cm) au-dessus du plancher.



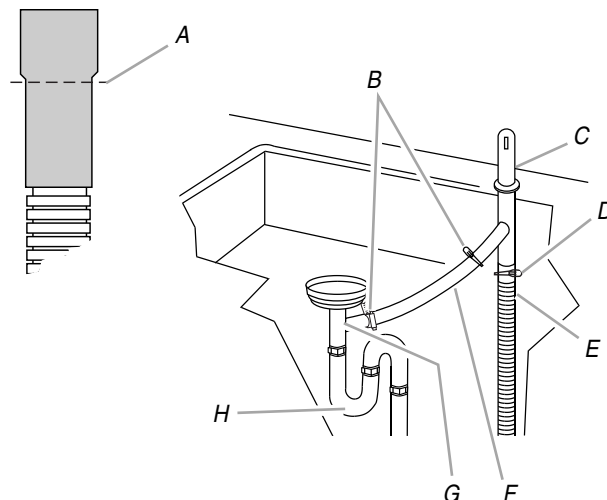
- A. Tuyau d'évacuation — découper ici si nécessaire
 B. Brides de serrage à ressort ou à vis
 C. Dispositif de brise-siphon
 D. Grosse bride à ressort
 E. Tuyau de vidange
 F. Raccord du tuyau de caoutchouc
 G. Entrée du broyeur à déchets
 H. Siphon

4. Insérer le tuyau d'évacuation dans le trou découpé dans le placard et acheminer le tuyau jusqu'à l'avant-centre de l'ouverture, là où le raccordement d'évacuation doit être réalisé.



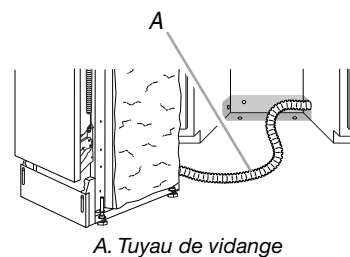
Raccordement du tuyau d'évacuation au dispositif de brise-siphon - Pas de broyeur de déchets

1. Couper l'extrémité du tuyau d'évacuation si nécessaire.
REMARQUE : Ne pas couper la section ondulée.
2. Connecter le tuyau d'évacuation au dispositif de brise-siphon avec la grosse bride à ressort.
REMARQUE : Si le tuyau d'évacuation a été coupé, utiliser une bride de tuyau à vis de 1½" à 2" (3,8 à 5 cm) (non fournie).
3. Utiliser un connecteur de tuyau de caoutchouc (non fourni) avec une bride à vis ou à ressort (non fournie) pour raccorder le dispositif de brise-siphon au tuyau d'évacuation en T situé au-dessus du siphon et à au moins 20" (50,8cm) au-dessus du plancher.



- A. Tuyau d'évacuation — découper ici si nécessaire
 B. Brides de serrage à ressort ou à vis
 C. Dispositif de brise-siphon
 D. Grosse bride à ressort
 E. Tuyau de vidange
 F. Raccord du tuyau de caoutchouc
 G. Tuyau d'évacuation en T
 H. Siphon

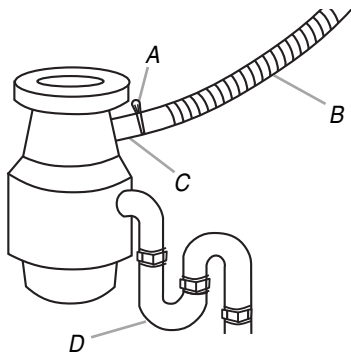
4. Insérer le tuyau d'évacuation dans le trou découpé dans le placard et acheminer le tuyau jusqu'à l'avant-centre de l'ouverture, là où le raccordement d'évacuation doit être réalisé.



Raccordement du tuyau d'évacuation au broyeur de déchets - Sans dispositif de brise-siphon

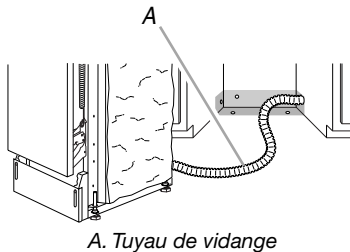
1. Ôter l'opercule arrachable du broyeur à déchets.
REMARQUE : Ne pas couper l'extrémité du tuyau d'évacuation.
2. Connecter le tuyau d'évacuation à l'entrée du tuyau d'évacuation avec la grosse bride à ressort.
Ce raccordement doit être réalisé en amont du siphon et à au moins 20" (50,8 cm) au-dessus du plancher.

REMARQUE : On recommande de lover le tuyau d'évacuation et de le fixer solidement sur la face inférieure du plan de travail.



A. Grosse bride à ressort
B. Tuyau d'évacuation
C. Entrée du broyeur à déchets
D. Siphon

- Insérer le tuyau d'évacuation dans le trou découpé dans le placard et acheminer le tuyau jusqu'à l'avant-centre de l'ouverture, là où le raccordement d'évacuation doit être réalisé.



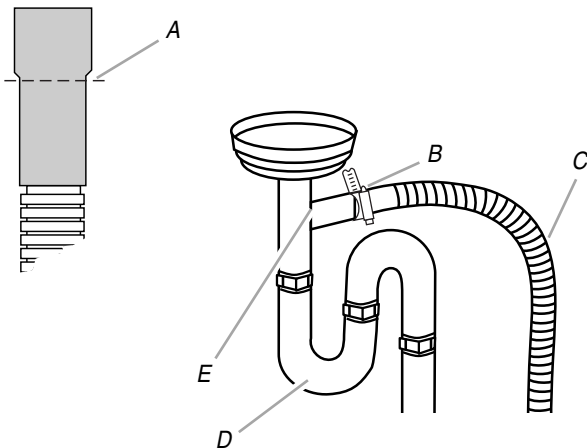
A. Tuyau de vidange

Raccordement du tuyau d'évacuation - Sans broyeur à déchets ni dispositif de brise-siphon

- Couper l'extrémité du tuyau d'évacuation si nécessaire.
REMARQUE : Ne pas couper la section ondulée.
- Fixer le tuyau d'évacuation au tuyau d'évacuation en T à l'aide de la bride de tuyau à vis de 1 1/2" à 2" (3,8 cm à 5 cm) (non fournie).

Ce raccordement doit être réalisé en amont du siphon et à au moins 20" (50,8 cm) au-dessus du plancher.

REMARQUE : On recommande de lover le tuyau d'évacuation et de le fixer solidement sur la face inférieure du plan de travail.



A. Tuyau d'évacuation — découper ici si nécessaire
B. Bride de tuyau à vis
C. Tuyau d'évacuation
D. Siphon
E. Tuyau d'évacuation en T

Préparation de l'ouverture d'encastrement du placard-Sans moyens de raccordement préexistants

⚠ AVERTISSEMENT



Risque de choc électrique

- Brancher sur une prise à 3 alvéoles reliée à la terre.
- Ne pas enlever la broche de liaison à la terre.
- Ne pas utiliser un adaptateur.
- Ne pas utiliser un câble de rallonge.
- Le non-respect de ces instructions peut causer un décès, un incendie ou un choc électrique.

INSTRUCTIONS DE MISE À LA TERRE

- Pour un lave-vaisselle relié à la terre, branché avec un cordon :

Le lave-vaisselle doit être relié à la terre. En cas d'un mauvais fonctionnement ou d'une panne, la mise à terre réduira le risque d'un choc électrique en fournissant le moins de résistance pour le courant électrique. Le lave-vaisselle est équipé d'un cordon avec un conducteur pour relier les appareils à la terre. La fiche doit être branchée sur une prise appropriée, installée et reliée à la terre conformément aux codes et règlements locaux.

AVERTISSEMENT : La connexion incorrecte du conducteur pour relier les appareils à la terre peut causer le risque de choc électrique. Vérifier avec un électricien compétent ou un représentant de service si vous avez des doutes si le lave-vaisselle est correctement relié à la terre. Ne pas modifier la fiche fournie avec le lave-vaisselle; si elle n'entre pas dans la prise, faire installer une prise appropriée par un électricien compétent.

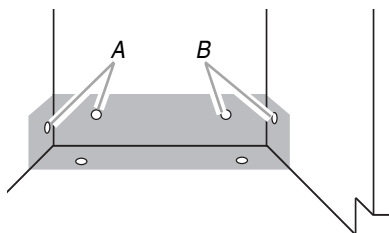
- Pour un lave-vaisselle branché en permanence :

Le lave-vaisselle doit être branché à un système d'installation électrique permanent en métal relié à la terre, ou un conducteur pour relier les appareils à la terre doit être relié avec les conducteurs du circuit et branché à une borne pour relier les appareils à la terre ou au cordon d'alimentation électrique avec le lave-vaisselle.

CONSERVEZ CES INSTRUCTIONS

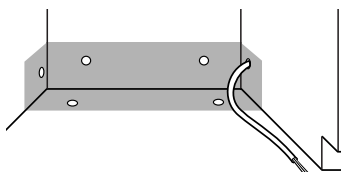
Raccordement électrique - Méthode de raccordement direct

1. Percer un trou de $\frac{3}{4}$ " (1,9 cm) dans la paroi de droite du placard, la paroi arrière ou le plancher de l'ouverture d'encastrement.



A. Emplacements facultatifs
B. Emplacements de préférence

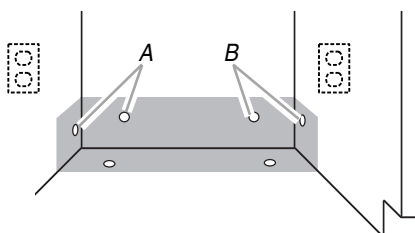
2. Si le placard est en bois, poncer le trou jusqu'à ce qu'il soit lisse. Si le placard est en métal, recouvrir le trou avec un oeillet (non fourni).
3. Acheminer le câble jusqu'à la boîte de connexion du domicile.
4. Pour un câble flexible, installer un serre-câble (homologation UL ou CSA).
REMARQUE : Dans le cas d'installation d'un conduit, installer un connecteur de conduit sur la boîte de connexion (homologation UL ou CSA).
5. Faire passer l'autre extrémité du câble par le trou du placard. Le câble doit s'avancer jusqu'au côté avant droit de l'ouverture d'encastrement du placard.



Raccordement électrique - Méthode avec cordon d'alimentation électrique

REMARQUE : On doit disposer d'une prise de configuration correspondante à trois alvéoles et reliée à la terre dans un placard qui se trouve près de l'ouverture du lave-vaisselle.

1. Percer un trou de $\frac{3}{4}$ " (1,9 cm) dans la paroi de droite du placard, la paroi arrière ou le plancher de l'ouverture d'encastrement.

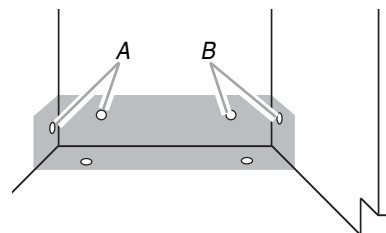


A. Emplacements facultatifs
B. Emplacements de préférence

2. Si le placard est en bois, poncer le trou jusqu'à ce qu'il soit lisse. Si le placard est en métal, recouvrir le trou avec un oeillet (pièce numéro 302797) compris avec le cordon d'alimentation électrique.

Installation de la canalisation d'eau

1. Percer un trou de $\frac{1}{2}$ " (1,3 cm) dans la paroi de gauche du placard, la paroi arrière ou le plancher de l'ouverture d'encastrement.



A. Emplacements facultatifs
B. Emplacements de préférence

2. Mesurer la longueur totale nécessaire du tube de cuivre.
3. Connecter le tube de cuivre à la canalisation d'alimentation en eau à l'aide d'un robinet d'arrêt manuel.
4. Enfiler doucement le tube de cuivre à travers le trou percé dans le placard.

REMARQUE : Le tube de cuivre se plie et se déforme facilement.

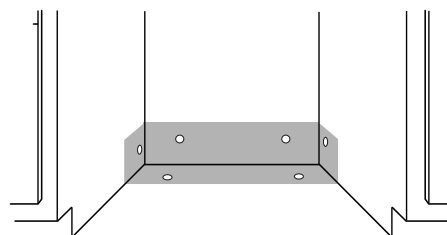
Le tube de cuivre doit s'avancer suffisamment loin dans l'ouverture d'encastrement du placard pour que l'on puisse le raccorder au point d'entrée du lave-vaisselle se trouvant sur le côté avant gauche de celui-ci.

5. Ouvrir le robinet d'arrêt. Faire couler l'eau dans un récipient peu profond pour éliminer du tube de cuivre les particules qui pourraient obstruer l'électrovanne.
6. Fermer le robinet d'arrêt.

Raccordement du tuyau d'évacuation au dispositif de brise-siphon - Broyeur de déchets

IMPORTANT : On doit toujours utiliser un tuyau d'évacuation neuf, même pour l'installation d'un lave-vaisselle de remplacement.

1. Percer un trou de diamètre $1\frac{1}{2}$ " (3,8 cm) dans la paroi ou dans le plancher du placard sur le côté de l'ouverture d'encastrement la plus proche de l'évier.



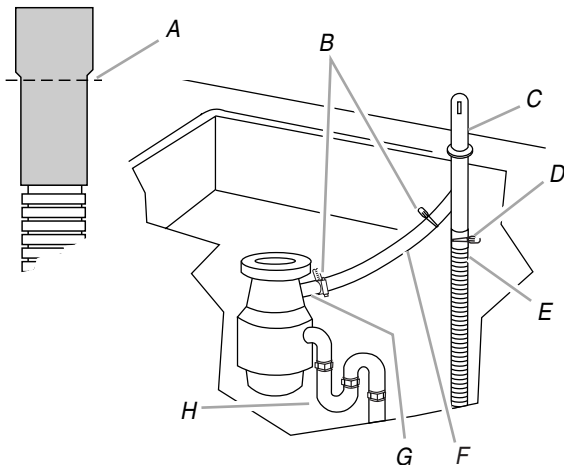
2. Ôter l'opercule arrachable du broyeur à déchets. Couper l'extrémité du tuyau d'évacuation si nécessaire.

REMARQUE : Ne pas couper la section ondulée.

3. Connecter le tuyau d'évacuation au dispositif de brise-siphon avec la grosse bride à ressort.

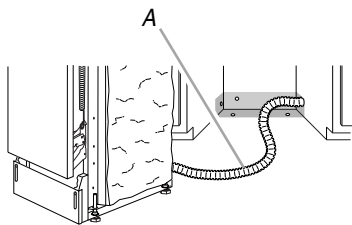
REMARQUE : Si le tuyau d'évacuation a été coupé, utiliser une bride de tuyau à vis de $1\frac{1}{2}$ " à 2" (3,8 à 5 cm) (non fournie).

4. Utiliser un connecteur de tuyau de caoutchouc (non fourni) avec une bride à vis ou à ressort (non fournie) pour raccorder le dispositif de brise-siphon à l'entrée du tuyau d'évacuation situé au-dessus du siphon et à au moins 20" (50,8 cm) au-dessus du plancher.



- A. Tuyau d'évacuation — découper ici si nécessaire
 B. Brides de serrage à ressort ou à vis
 C. Dispositif de brise-siphon
 D. Grosse bride à ressort
 E. Tuyau de vidange
 F. Raccord du tuyau de caoutchouc
 G. Entrée du broyeur à déchets
 H. Siphon

5. Insérer le tuyau d'évacuation dans le trou découpé dans le placard et acheminer le tuyau jusqu'à l'avant-centre de l'ouverture, là où le raccordement d'évacuation doit être réalisé.

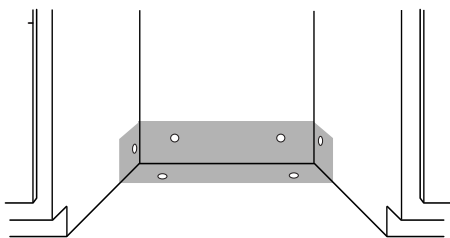


A. Tuyau de vidange

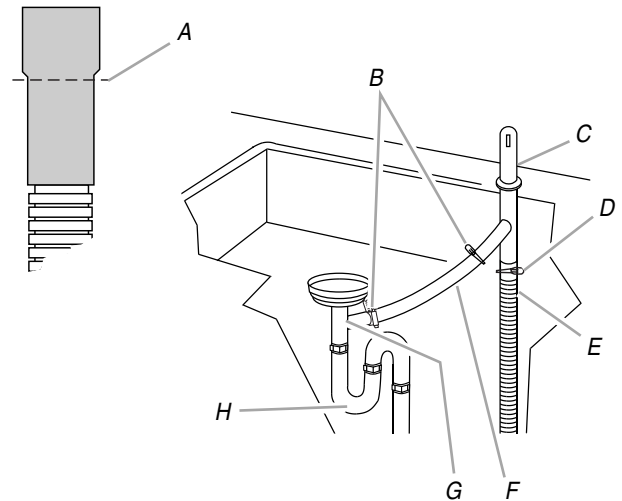
Raccordement du tuyau d'évacuation au dispositif de brise-siphon - Pas de broyeur de déchets

IMPORTANT : On doit toujours utiliser un tuyau d'évacuation neuf, même pour l'installation d'un lave-vaisselle de remplacement.

1. Percer un trou de diamètre 1½" (3,8 cm) dans la paroi ou dans le plancher du placard sur le côté de l'ouverture d'encastrement la plus proche de l'évier.

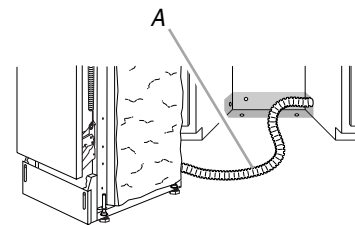


2. Couper l'extrémité du tuyau d'évacuation si nécessaire.
REMARQUE : Ne pas couper la section ondulée.
 3. Connecter le tuyau d'évacuation au dispositif de brise-siphon avec la grosse bride à ressort.
REMARQUE : Si le tuyau d'évacuation a été coupé, utiliser une bride de tuyau à vis de 1½" à 2" (3,8 à 5 cm) (non fournie).
 4. Utiliser un connecteur de tuyau de caoutchouc (non fourni) avec une bride à vis ou à ressort (non fournie) pour raccorder le dispositif de brise-siphon au tuyau d'évacuation en T situé au-dessus du siphon et à au moins 20" (50,8cm) au-dessus du plancher.



- A. Tuyau d'évacuation — découper ici si nécessaire
 B. Brides de serrage à ressort ou à vis
 C. Dispositif de brise-siphon
 D. Grosse bride à ressort
 E. Tuyau de vidange
 F. Raccord du tuyau de caoutchouc
 G. Tuyau d'évacuation en T
 H. Siphon

5. Insérer le tuyau d'évacuation dans le trou découpé dans le placard et acheminer le tuyau jusqu'à l'avant-centre de l'ouverture, là où le raccordement d'évacuation doit être réalisé.

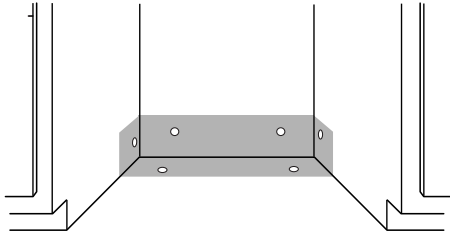


A. Tuyau de vidange

Raccordement du tuyau d'évacuation au broyeur de déchets - Sans dispositif de brise-siphon

IMPORTANT : On doit toujours utiliser un tuyau d'évacuation neuf, même pour l'installation d'un lave-vaisselle de remplacement.

1. Percer un trou de diamètre 1½" (3,8 cm) dans la paroi ou dans le plancher du placard sur le côté de l'ouverture d'encastrement la plus proche de l'évier.



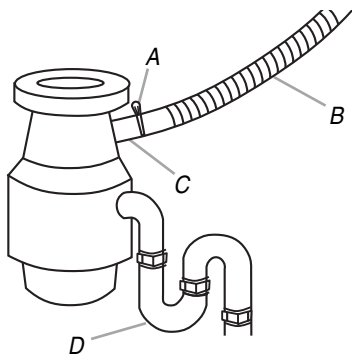
2. Ôter l'opercule arrachable du broyeur à déchets.

REMARQUE : Ne pas couper l'extrémité du tuyau d'évacuation.

3. Connecter le tuyau d'évacuation à l'entrée du tuyau d'évacuation avec la grosse bride à ressort.

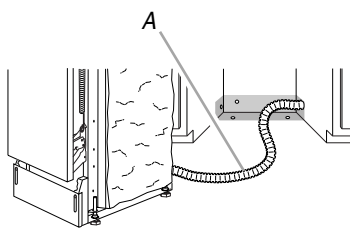
Ce raccordement doit être réalisé en amont du siphon et à au moins 20" (50,8 cm) au-dessus du plancher.

REMARQUE : On recommande de lover le tuyau d'évacuation et de le fixer solidement sur la face inférieure du plan de travail.



A. Grosse bride à ressort C. Entrée du broyeur à déchets
B. Tuyau d'évacuation D. Siphon

4. Insérer le tuyau d'évacuation dans le trou découpé dans le placard et acheminer le tuyau jusqu'à l'avant-centre de l'ouverture, là où le raccordement d'évacuation doit être réalisé.

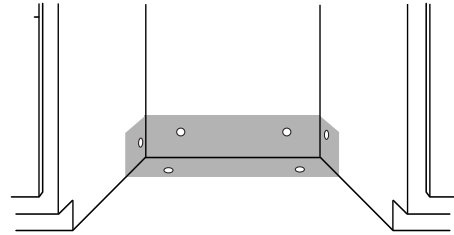


A. Tuyau de vidange

Raccordement du tuyau d'évacuation - Sans broyeur à déchets ni dispositif de brise-siphon

IMPORTANT : On doit toujours utiliser un tuyau d'évacuation neuf, même pour l'installation d'un lave-vaisselle de remplacement.

1. Percer un trou de diamètre 1½" (3,8 cm) dans la paroi ou dans le plancher du placard sur le côté de l'ouverture d'encastrement la plus proche de l'évier.



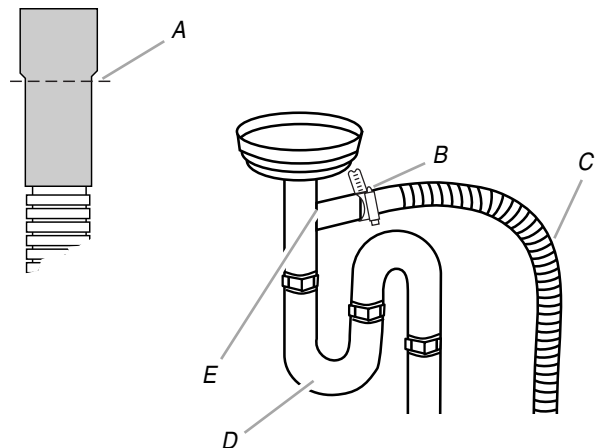
2. Couper l'extrémité du tuyau d'évacuation si nécessaire.

REMARQUE : Ne pas couper la section ondulée.

3. Fixer le tuyau d'évacuation au tuyau d'évacuation en T à l'aide de la bride de tuyau à vis de 1½" à 2" (3,8 cm à 5 cm) (non fournie).

Ce raccordement doit être réalisé en amont du siphon et à au moins 20" (50,8 cm) au-dessus du plancher.

REMARQUE : On recommande de lover le tuyau d'évacuation et de le fixer solidement sur la face inférieure du plan de travail.



A. Tuyau d'évacuation — découper ici si nécessaire D. Siphon
B. Bride de tuyau à vis E. Tuyau d'évacuation en T
C. Tuyau d'évacuation

Installation du lave-vaisselle

AVERTISSEMENT



Risque de basculement

Ne pas utiliser le lave-vaisselle jusqu'à ce qu'il soit complètement installé.

Ne pas appuyer sur la porte ouverte.

Le non-respect de ces instructions peut causer des blessures graves ou des coupures.

AVERTISSEMENT

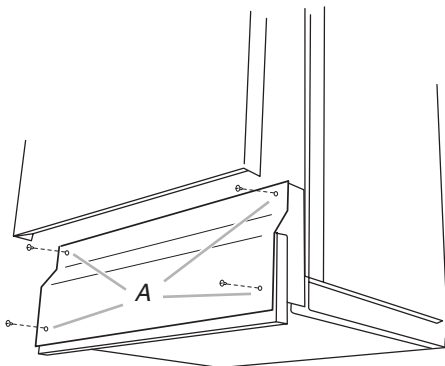
Risque du poids excessif

Utiliser deux personnes ou plus pour déplacer et installer le lave-vaisselle.

Le non-respect de cette instruction peut causer une blessure au dos ou d'autre blessure.

Préparation du lave-vaisselle pour l'installation

1. À l'aide d'au moins 2 personnes, placer le lave-vaisselle sur sa partie arrière et sur un morceau de carton.
2. À l'aide d'une clé à douille, d'un tourne-écrou ou d'un tournevis Phillips de 1/4", ôter les 4 vis fixant le panneau avec bride de calage et le panneau inférieur au lave-vaisselle.

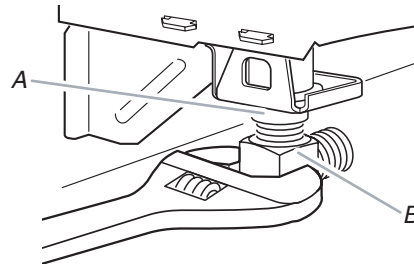


A. Vis

3. Retirer les deux panneaux et les mettre de côté sur une surface protégée.

4. Appliquer du ruban pour joints filetés au raccord coudé à 90° et connecter le raccord au robinet d'arrivée d'eau.
5. Serrer le coude pour bien l'ajuster.

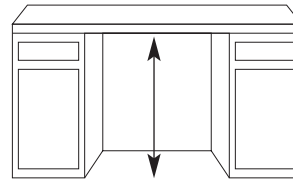
REMARQUE : Le raccord coudé doit être orienté vers l'arrière du lave-vaisselle.



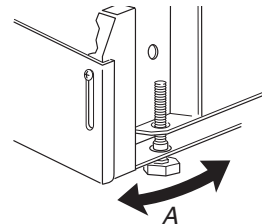
A. Électrovanne d'admission d'eau

B. Coude

6. Ôter le couvercle de la boîte de connexion.
 - Raccordement direct - installer un serre-câble (homologation UL ou certification CSA) sur le boîtier de connexion. Dans le cas de l'utilisation d'un conduit, installer un connecteur de conduit (homologation UL ou certification CSA).
 - Cordon d'alimentation électrique - Installer un ensemble de cordon d'alimentation électrique avec homologation U.L. pour utilisation pour lave-vaisselle (pièce numéro 4317824).
7. Mesurer la hauteur de l'ouverture la plus réduite entre le dessous du plan de travail et le plancher à l'endroit où le lave-vaisselle sera installé.



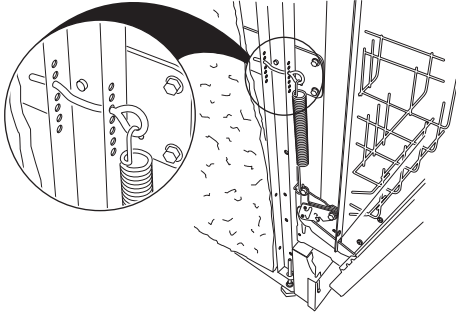
8. Sortir les pieds de nivellement de la base du lave-vaisselle de 1/4" de moins que la hauteur la plus réduite de l'ouverture.



A. Pied de nivellement

Contrôle de la tension des ressorts de la porte

1. À l'aide d'au moins 2 personnes, placer le lave-vaisselle debout devant l'ouverture du placard.
2. Alors qu'une autre personne retient le lave-vaisselle pour l'empêcher de basculer, ouvrir et refermer la porte du lave-vaisselle plusieurs fois. Si la porte se referme facilement ou si elle s'ouvre sous son propre poids, ajuster la tension.
 - Si la porte se ferme trop rapidement, réduire la tension du ressort : sortir la tige de réglage du ressort de son trou et la réinsérer dans le trou suivant, vers l'arrière du lave-vaisselle.
 - Si la porte retombe et s'ouvre, augmenter la tension du ressort : sortir la tige de réglage du ressort de son trou et la réinsérer dans le trou suivant, vers le dessus du lave-vaisselle.

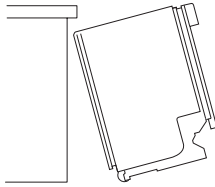


REMARQUE : Les tiges de réglage de ressort doivent se trouver dans les trous correspondants du côté droit et du côté gauche du lave-vaisselle.

Insertion du lave-vaisselle dans l'ouverture d'encastrement dans le placard

1. À l'aide d'au moins deux personnes, saisir les côtés du lave-vaisselle au niveau des rives du panneau de porte et placer le lave-vaisselle près de l'ouverture d'encastrement dans le placard.

REMARQUE : Ne pas pousser sur l'avant du panneau ou sur la console car ceci pourrait les tordre ou laisser des indentations.



2. En cas de raccordement direct, vérifier que le câblage de l'alimentation électrique se trouve sur le côté droit, à l'avant de l'ouverture du placard.

Si l'on utilise un cordon d'alimentation électrique, insérer le cordon d'alimentation électrique dans le trou découpé dans la paroi latérale du placard.
3. Vérifier que la canalisation d'alimentation en eau se trouve sur le côté gauche de l'ouverture d'encastrement du placard.

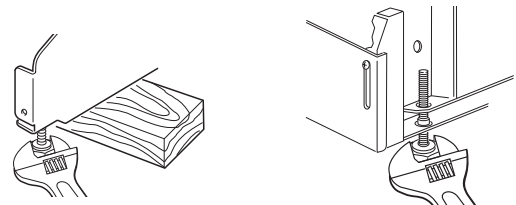
4. Vérifier que le tuyau d'évacuation se trouve près du centre et à l'avant de l'ouverture d'encastrement du placard.
5. Mettre le lave-vaisselle en place dans l'ouverture d'encastrement du placard avec précaution, et veiller à ce que les angles avant du lave-vaisselle soient en affleurement avec les portes du placard.

REMARQUES :

- Ne pas coincer ni déformer le tube de cuivre, le tuyau d'évacuation, le cordon d'alimentation ou le câble de raccordement direct entre le lave-vaisselle et le placard.
 - Ne pas retirer le garnissage d'insonorisation du lave-vaisselle pour faciliter son passage dans l'ouverture d'encastrement du placard. L'habillage d'insonorisation réduit le niveau sonore lorsque le lave-vaisselle fonctionne.
6. Soutenir l'avant du lave-vaisselle en relevant, abaissant les pieds avant ou en plaçant des cales en dessous si nécessaire.
 7. Enlever la feuille de carton placée sous le lave-vaisselle.

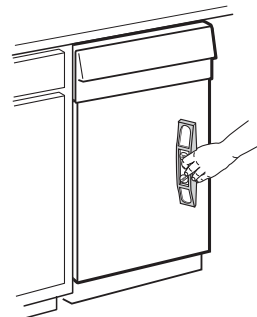
Établissement de l'aplomb du lave-vaisselle

1. Aligner l'avant du panneau de porte du lave-vaisselle avec les portes de placard en réglant les pieds avant à l'aide de la clé à molette de 6" (15,24 cm).

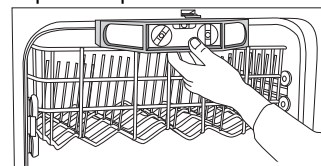


2. Vérifier que chaque pied de nivellement est fermement en appui sur le sol.
3. Fermer la porte du lave-vaisselle et la verrouiller.
4. Placer un niveau contre le panneau avant, au-dessus du pied, pour vérifier que le lave-vaisselle est d'aplomb. Si nécessaire, régler la hauteur des pieds de nivellement ou ajouter des cales jusqu'à ce que le lave-vaisselle soit d'aplomb.

REMARQUE : Les cales doivent être solidement fixées au plancher pour éviter qu'elles ne se déplacent durant le fonctionnement du lave-vaisselle.



5. Répéter cette étape pour l'autre côté du lave-vaisselle.
6. Placer le niveau contre la partie supérieure de la cuve, à l'avant. Vérifier l'aplomb transversal du lave-vaisselle. Si le lave-vaisselle n'est pas d'aplomb, régler les pieds plus haut ou plus bas jusqu'à ce que le lave-vaisselle soit d'aplomb.



Raccordement électrique - Méthode de raccordement direct

Consulter la section "Spécifications électriques" avant de commencer.

Veiller à ce que l'installation électrique soit correctement effectuée et soit conforme aux prescriptions de tous les codes locaux et nationaux en vigueur.

⚠ AVERTISSEMENT



Risque de choc électrique

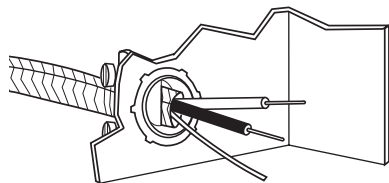
Relier le lave-vaisselle à la terre d'une méthode électrique.

Brancher le fil relié à la terre au connecteur vert relié à la terre dans la boîte de la borne.

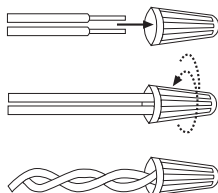
Ne pas utiliser un câble de rallonge.

Le non-respect de ces instructions peut causer un décès, un incendie ou un choc électrique.

1. Acheminer le câble de raccordement direct de telle manière qu'il ne touche pas le moteur du lave-vaisselle ou la partie inférieure de la cuve du lave-vaisselle.
2. Insérer le câble de raccordement direct dans le trou du boîtier de connexion.

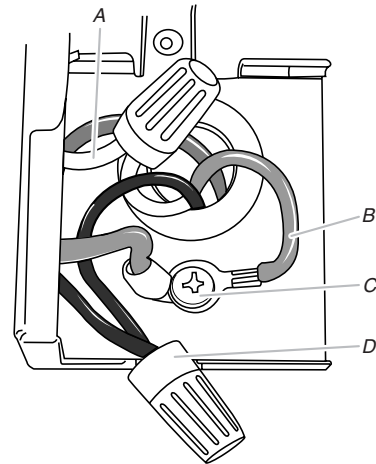


3. À l'aide d'un connecteur de fils d'une taille suffisante pour raccorder le câble de raccordement direct au câblage de diamètre 16 du lave-vaisselle, connecter le conducteur blanc de l'alimentation électrique au conducteur blanc du boîtier de connexion.



4. À l'aide d'un connecteur de fils d'une taille suffisante pour raccorder le câble de raccordement direct au câble de diamètre 16 du lave-vaisselle, connecter le conducteur noir de l'alimentation électrique au conducteur noir du boîtier de connexion.
5. À l'aide d'un connecteur de fils d'une taille suffisante pour raccorder le câble de raccordement direct au câblage de diamètre 16 du lave-vaisselle, connecter les conducteurs de

liaison à la terre de l'alimentation électrique au conducteur vert de liaison à la terre du boîtier de connexion.



- A. Conducteur blanc au conducteur blanc
- B. Conducteurs de liaison à la terre au conducteur vert de liaison à la terre.
- C. Vis de liaison à la terre
- D. Conducteur noir au conducteur noir

6. Serrer la vis de blocage du connecteur de conduit ou de câble.
7. Réinstaller le couvercle du boîtier de connexion en plaçant les conducteurs à l'intérieur du boîtier.
8. Veiller à ne coincer aucun fil avec le couvercle.

Raccordement électrique - Méthode avec cordon d'alimentation électrique

⚠ AVERTISSEMENT



Risque de choc électrique

Brancher sur une prise à 3 alvéoles reliée à la terre.

Ne pas enlever la broche de liaison à la terre.

Ne pas utiliser un adaptateur.

Ne pas utiliser un câble de rallonge.

Le non-respect de ces instructions peut causer un décès, un incendie ou un choc électrique.

Utiliser l'ensemble de cordon d'alimentation électrique (pièce numéro 4317824) pour utilisation avec lave-vaisselle. L'ensemble contient:

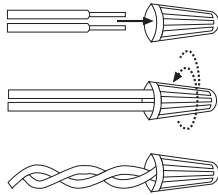
- Cordon d'alimentation électrique Voltex, Inc., de calibre 16 à 3 fils, homologué UL, avec prise à 3 alvéoles reliée à la terre.
- Serre-câble Neer C-500 de $\frac{3}{8}$ ".
- Connecteurs à 3 conducteurs
- OEillet - pièce n° 302797

Suivre les instructions de l'ensemble pour l'installation du cordon d'alimentation électrique.

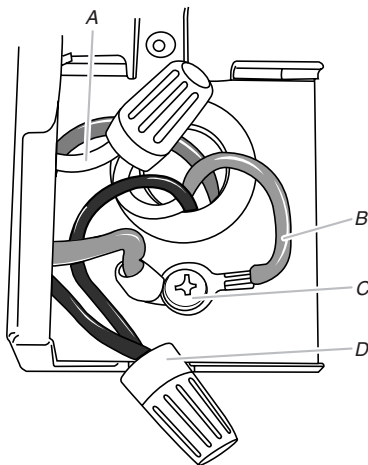
REMARQUE : Le cordon d'alimentation électrique doit être branché dans une prise de configuration correspondante à trois alvéoles reliée à la terre dans le placard, près de l'ouverture du lave-vaisselle. La prise doit être conforme à tous les codes et règlements locaux.

IMPORTANT : Si l'on prévoit d'installer un broyeur de déchets, une source d'alimentation électrique distincte de 120 V, 60 Hz, CA uniquement, protégée par fusible de 15 ou 20 ampères est nécessaire.

1. Ôter le couvercle du boîtier de connexion.
2. À l'aide d'un connecteur de fils d'une taille suffisante pour raccorder le cordon d'alimentation électrique au câblage de diamètre 16 du lave-vaisselle, connecter le conducteur blanc du cordon de l'alimentation électrique au conducteur blanc du boîtier de connexion.



3. À l'aide d'un connecteur de fils d'une taille suffisante pour raccorder le cordon d'alimentation électrique au câblage de diamètre 16 du lave-vaisselle, connecter le conducteur noir du cordon de l'alimentation électrique au conducteur noir du boîtier de connexion.
4. À l'aide d'un connecteur de fils d'une taille suffisante pour raccorder le cordon d'alimentation électrique au câblage de diamètre 16 du lave-vaisselle, connecter le conducteur de mise à la terre du cordon de l'alimentation électrique au conducteur vert de mise à la terre du boîtier de connexion.



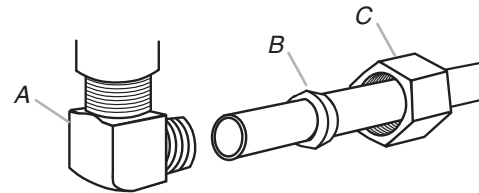
A. Conducteur blanc au conducteur blanc
 B. Conducteurs de liaison à la terre au conducteur vert de liaison à la terre.
 C. Vis de liaison à la terre
 D. Conducteur noir au conducteur noir

5. Réinstaller le couvercle du boîtier de connexion en plaçant les conducteurs à l'intérieur du boîtier.
6. Veiller à ne coincer aucun fil avec le couvercle.
7. Brancher le cordon d'alimentation électrique dans une prise à trois alvéoles reliée à la terre.
8. Vérifier l'absence de tout contact entre le cordon d'alimentation électrique et le moteur du lave-vaisselle ou la partie inférieure de la cuve du lave-vaisselle.

Raccordement du lave-vaisselle à l'alimentation en eau

1. Acheminer la canalisation d'alimentation en eau de manière à ce qu'elle ne soit pas en contact avec la base, le châssis ou le moteur du lave-vaisselle.
2. Enfiler l'écrou sur le tube de cuivre, sur environ 1" (2,5 cm).
3. Enfiler la virole sur le tube.

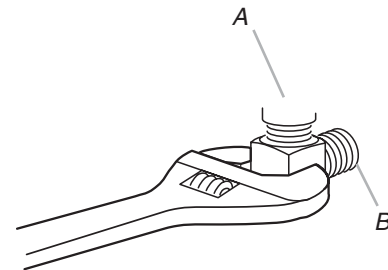
REMARQUE : Ne pas positionner la virole sur l'extrémité du tube.



A. Raccord coudé
 B. Virole
 C. Écrou

4. Enfoncer le tube dans le raccord coudé aussi loin que possible.
5. Faire glisser l'écrou et la virole vers l'avant et visser l'écrou sur le filetage du raccord coudé. Éviter de plier ou de déformer le tube de cuivre.
6. Avec le tube de cuivre enfoncé aussi loin que possible dans le raccord de compression, utiliser une clé pour serrer l'écrou de compression sur le raccord coudé installé sur l'électrovanne d'admission d'eau.

REMARQUE : Ne pas utiliser de ruban adhésif en Téflon® avec les raccords de compression.



A. Électrovanne d'admission d'eau
 B. Raccord coudé

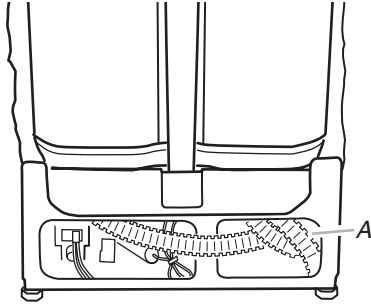
7. Placer une serviette de papier sous le raccord coudé.
8. Ouvrir l'alimentation en eau.
9. Vérifier qu'il n'y a pas de fuites.

Raccordement du lave-vaisselle au circuit d'évacuation

1. Acheminer le tuyau d'évacuation de façon à ce qu'il ne touche pas le moteur, les ressorts de porte, la canalisation d'eau, le revêtement du sol du lave-vaisselle ou le bord du trou par lequel il passe pour traverser le placard.

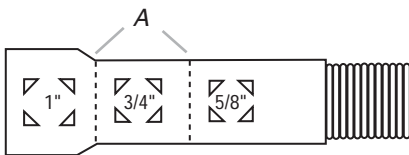
REMARQUE : Ne pas retirer du lave-vaisselle la boucle formée par le tuyau d'évacuation sur le côté de l'appareil.

- Placer un plat peu profond sous l'extrémité du tuyau d'évacuation. Le plat permet de recueillir l'eau éventuellement restée dans le tuyau d'évacuation.



A. Tuyau de vidange

- Couper le tuyau d'évacuation à son extrémité moulée pour qu'il convienne à des raccords d'un diamètre de 1" (2,5 cm), 3/4" (1,9 cm) ou de 5/8" (1,6 cm) au niveau du dispositif de brise-siphon, du tuyau d'évacuation en T ou du broyeur à déchets.

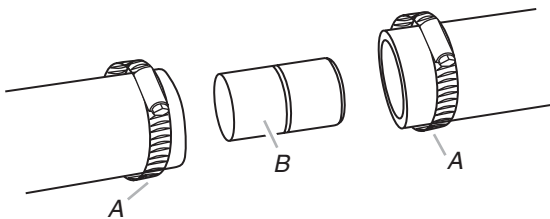


A. Lignes de découpe

- Si l'on n'a plus besoin d'un tuyau d'évacuation, ajouter jusqu'à 42" (107 cm) de longueur à la longueur totale de 10 pi (3 m) du tuyau d'évacuation installé à l'usine.

REMARQUE : La longueur totale du tuyau d'évacuation ne doit pas excéder 10 pi (3 m) pour que la vidange puisse s'effectuer correctement.

- À l'aide d'un tuyau de diamètre interne de 5/8" ou 7/8" et d'un coupleur, raccorder l'extrémité des 2 tuyaux de vidange à l'aide de brides de tuyau.

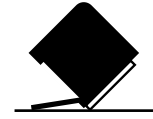


A. Brides de tuyau
B. Coupleur

- Raccorder le tuyau d'évacuation au dispositif de brise-siphon au tuyau d'évacuation en T ou au broyeur de déchets à l'aide de brides.

Fixation du lave-vaisselle au placard

⚠ AVERTISSEMENT



Risque de basculement

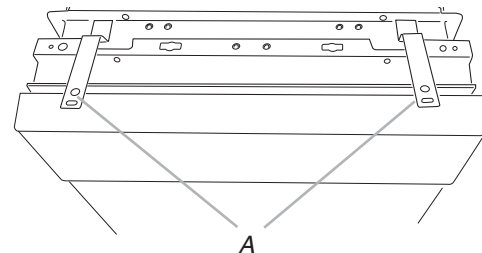
Ne pas utiliser le lave-vaisselle jusqu'à ce qu'il soit complètement installé.

Ne pas appuyer sur la porte ouverte.

Le non-respect de ces instructions peut causer des blessures graves ou des coupures.

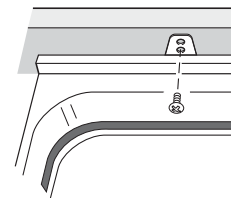
- Ouvrir la porte du lave-vaisselle et retirer le panier inférieur.
- Placer une serviette sur la pompe et le bras d'aspersion pour empêcher les vis de tomber dans la zone de la pompe pendant l'installation.
- Contrôler l'aplomb du lave-vaisselle et le centrage latéral de l'appareil dans l'ouverture.
- Vérifier que le rebord de la cuve en plastique est aligné avec l'avant du châssis de la caisse.
- Fixer le lave-vaisselle au plan de travail à l'aide des 2 brides situées sur le dessus du lave-vaisselle.

REMARQUE : Le lave-vaisselle doit être fixé au plan de travail pour l'empêcher de basculer lorsque la porte est ouverte.



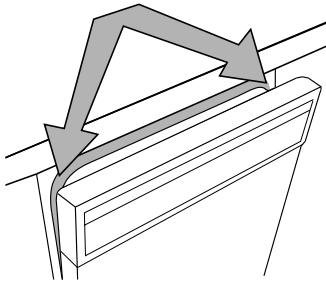
A. Brides

- Insérer 2 vis à tête plate Phillips n° 8 x 5/8" à travers les brides et dans le plan de travail.



- Entrouvrir la porte d'environ 3" (7,6 cm) et vérifier que l'espace entre la doublure interne de la porte et la cuve est identique des deux côtés.
- Si l'espace n'est pas identique des deux côtés, desserrer les vis des brides d'arrimage et déplacer légèrement la cuve. Resserrer les vis de brides.

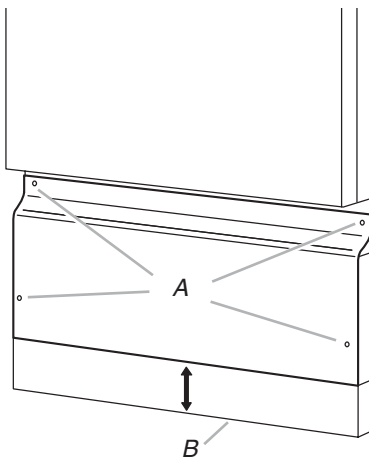
9. Vérifier qu'il n'y a aucun contact entre le sommet de la porte et les vis, les brides ou le plan de travail. S'il y a un contact, on doit abaisser le lave-vaisselle puis établir de nouveau l'aplomb de l'appareil. Voir "Établissement de l'aplomb du lave-vaisselle" dans "Installation du lave-vaisselle."



10. Retirer la serviette du lave-vaisselle.
11. Réinstaller le panier à vaisselle inférieur.

Achever l'installation

1. Placer le panneau inférieur derrière le panneau d'accès avec bride de calage.
2. Placer les 2 panneaux contre les pieds du lave-vaisselle.
3. Aligner les encoches du panneau interne avec les trous de vis de la bride de calage. Le panneau inférieur doit toucher le plancher.
4. Insérer les 4 vis de bride de calage dans les 4 trous de vis supérieurs.



A. 4 trous de vis supérieurs
B. Bride de calage à 2 éléments

Méthode de raccordement direct

⚠ AVERTISSEMENT



Risque de choc électrique

Relier le lave-vaisselle à la terre d'une méthode électrique.

Brancher le fil relié à la terre au connecteur vert relié à la terre dans la boîte de la borne.

Ne pas utiliser un câble de rallonge.

Le non-respect de ces instructions peut causer un décès, un incendie ou un choc électrique.

Méthode avec cordon d'alimentation électrique

⚠ AVERTISSEMENT



Risque de choc électrique

Déconnecter la source de courant électrique avant l'entretien.

Replacer pièces et panneaux avant de faire la remise en marche.

Le non-respect de ces instructions peut causer un décès ou un choc électrique.

5. Rebrancher le lave-vaisselle ou reconnecter la source de courant électrique.

Vérification du fonctionnement du lave-vaisselle

1. Lire les instructions d'utilisation comprises avec le lave-vaisselle.
2. Vérifier que toutes les pièces ont été installées et qu'aucune étape n'a été omise.
3. Vérifier la présence de tous les outils utilisés.
4. Mettre le lave-vaisselle en marche et le laisser effectuer complètement le programme de lavage le plus court.
5. Après 2 minutes, déverrouiller la porte. Attendre 5 secondes puis ouvrir la porte.
6. Vérifier qu'il y a bien de l'eau au fond de la cuve du lave-vaisselle.
7. Vérifier que le lave-vaisselle fonctionne correctement.

Si vous avez besoin d'assistance ou de service

Consulter la section "Assistance ou service" des Instructions d'utilisation ou contacter le marchand auprès duquel le lave-vaisselle a été acheté.

W10167841A

© 2008 Whirlpool Corporation.
All rights reserved.
Tous droits réservés.

© Registered Trademark/TM Trademark of Whirlpool, U.S.A., Whirlpool Canada LP Licensee in Canada
© Marque déposée/TM Marque de commerce de Whirlpool, U.S.A., emploi sous licence par Whirlpool Canada LP au Canada

10/08
Printed in China
Imprimé au Chine

Free Manuals Download Website

<http://myh66.com>

<http://usermanuals.us>

<http://www.somanuals.com>

<http://www.4manuals.cc>

<http://www.manual-lib.com>

<http://www.404manual.com>

<http://www.luxmanual.com>

<http://aubethermostatmanual.com>

Golf course search by state

<http://golfingnear.com>

Email search by domain

<http://emailbydomain.com>

Auto manuals search

<http://auto.somanuals.com>

TV manuals search

<http://tv.somanuals.com>