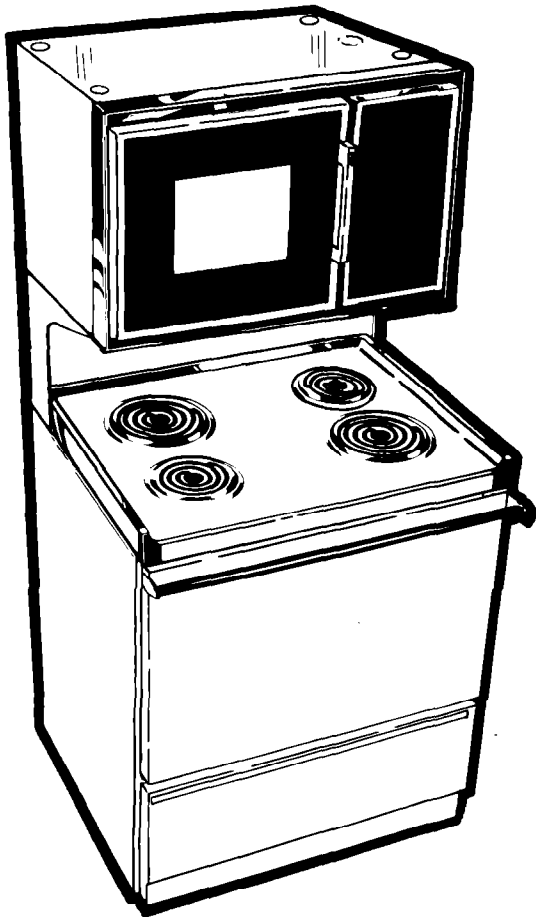
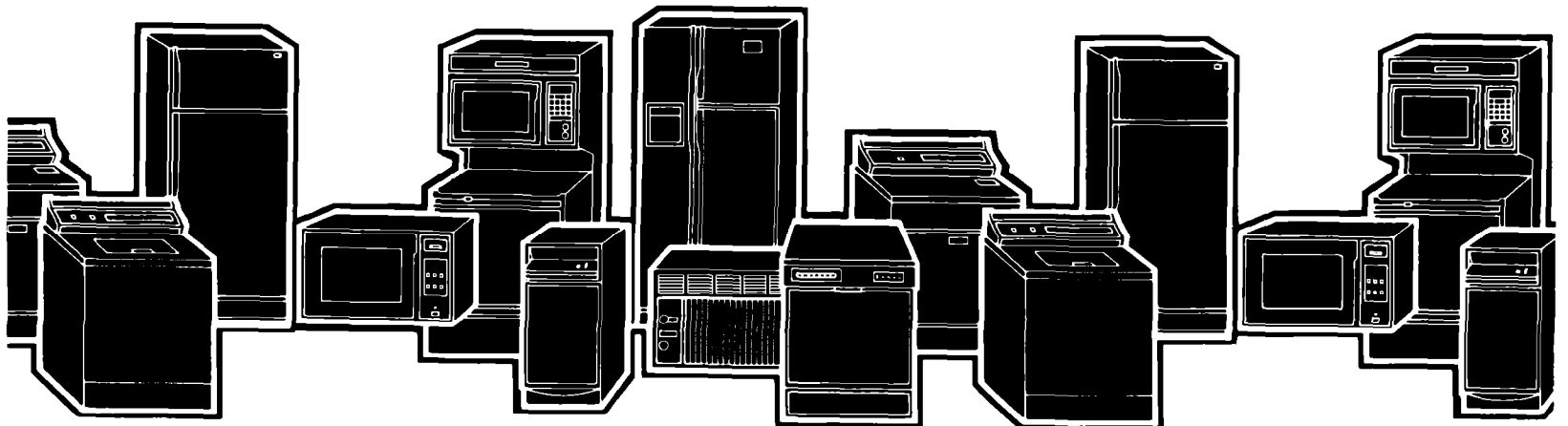


Installation Instructions



**30" EYE-LEVEL MICROWAVE RANGE
AND
30" EYE-LEVEL RANGE**

ve Ovens, Compactors, Room Air Conditioners, Dehumidifiers, Automatic Washers, Clothes Dryers, Freezers, Refrigerator-Freezers, Ice Makers, Dishwasi



1 Before you begin

Read these instructions completely and carefully. If followed, they will simplify the installation job. If your range does not have a microwave upper oven, disregard the following microwave information.

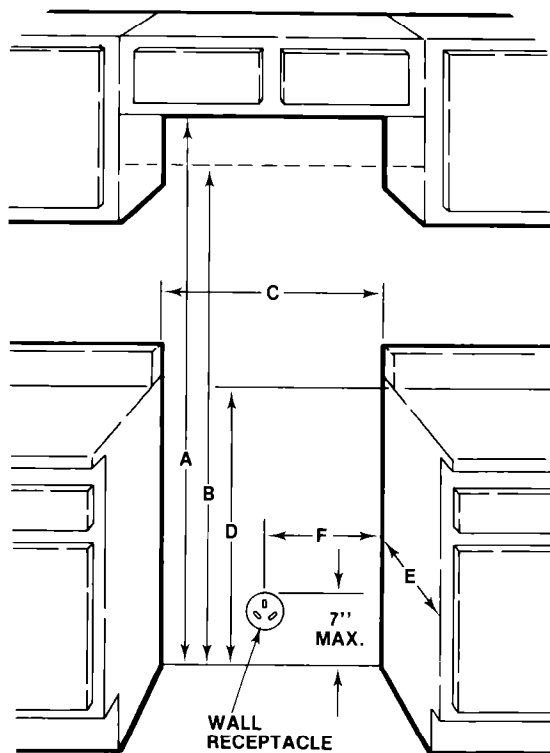
IMPORTANT:

Observe all governing codes and ordinances. Failure to follow these instructions could lead to fire or electrical shock hazard.

WARNING:

The microwave oven in this unit is designed for household use only. It must not be used for commercial purposes.

A. Space requirements



CAUTION:

Reaching over heated surface elements causes risk of being burned. To eliminate hazard, cabinets should NOT be installed above range.

If cabinets are already provided, reduce hazard by installing a range hood. Hood should project horizontally beyond bottom of cabinets by a minimum of 5 inches.

PRECAUTIONS TO AVOID POSSIBLE EXPOSURE TO EXCESSIVE MICROWAVE ENERGY

Do not attempt to operate this oven with the door open since open-door operation can result in harmful exposure to microwave energy. It is important not to defeat or tamper with the safety interlocks.

Do not place any object between the oven front face and the door or allow soil or cleaner residue to accumulate on sealing surfaces.

Do not operate the oven if it is damaged. It is particularly important that the oven door close properly and that there is no damage to the:

1. Door (bent)
2. Hinges and latches (broken or loosened)
3. Door seals and sealing surfaces.

The oven should not be adjusted or repaired by anyone except properly qualified service personnel.

The oven should be checked for microwave leakage by qualified service personnel after a repair is made.

Do not operate the oven if the door glass is broken.

A= Height for range with eye-level oven plus vent hood: 71-7/8" min.

B= Height for range with eye-level oven alone: 66-1/8" min.

C= Width between counters: 30-3/8" to 30-1/2".

D= Height of countertop: 35-5/8" to 36-13/16".

E= Depth: 22-1/2".

F= Pigtail receptacle location: 8" to 22" from either cabinet, 7" max. from floor.

To prevent discoloration of base cabinet, front of oven frame must extend at least 1/2" beyond front surface of cabinets.

Do not seal range to cabinets.

The copper power cord (pigtail) must run downward, left or right to the wall receptacle to avoid pinching the cord between rear portion of the range and wall.

Top of eye-level oven may be installed against bottom of overhead cabinet. However, for easy installation and removal, allow 1" clearance between oven top and cabinet. . . or 1" clearance between hood top and cabinet. When hood is attached to cabinet, allow 1" clearance between hood bottom and oven top.

The back of a free-standing range may be installed against a vertical wall. Sides may be installed against base cabinets or against vertical walls extending above upper edge of the cook top.

B. Check microwave for damage

Remove all packing material from the oven cavity. When unpacking the unit, check for damage such as misaligned door, damaged gaskets around the door, or dents inside the oven or on the exterior. If there is any damage, please do not operate the unit until it has been checked by an authorized Whirlpool trained service technician.

Installation Instructions



C. Electrical requirements

IMPORTANT:

SAVE THESE INSTRUCTIONS FOR THE LOCAL ELECTRICAL INSPECTOR'S USE

WARNING: DO NOT PLUG THE "PIGTAIL" POWER CORD INTO A LIVE WALL RECEPTACLE BEFORE CORD IS PERMANENTLY CONNECTED TO THE TERMINAL BLOCK.

1. This appliance must be connected to the proper electrical voltage and frequency as specified on nameplate. Models rated at 15 KW on 240 volts (11.25 KW on 208 V) or more require a separate 50 ampere circuit. Models rated less than 15 KW on 240 volts (11.25 KW on 208 V) require a separate 40 ampere circuit. Fuse both sides of the line. **DO NOT** fuse the neutral. A time-delay fuse or circuit breaker is recommended. Wire sizes must conform to the requirements of the National Electrical Code and/or local codes and ordinances for the kilowatt rating of the range. The nameplate is located on the front frame of the main oven behind the main door. For the Eye-level Microwave, it is on the front frame behind microwave oven door.
2. All wires ending at the appliance must terminate in ring type terminals.
3. All power cords and cables to appliance must be fitted with a UL approved strain relief.
4. The range should be connected with copper wire only. Aluminum wire requires special connectors. Improper use may create a fire hazard.
5. Appliance may be connected directly to the fused disconnect (or circuit breaker) box through flexible armored or non-metallic sheathed copper cable. Do not use an extension cord. Allow 4 feet (min.) slack so appliance can be moved for servicing. Wire sizes must conform to the ampere rating of the range. See paragraph C-1 above.
6. **WARNING: THE TERMINAL BLOCK ON THE APPLIANCE ACCEPTS COPPER WIRE ONLY, NOT ALUMINUM. IF ALUMINUM HOUSE WIRING MUST BE CONNECTED, USE ONE OF THE FOLLOWING PROCEDURES:**
 - Connect copper wire to the range terminal block (using ring terminals).
 - Connect the copper wire to the aluminum house wiring using special connectors UL listed and designed for joining copper to aluminum.

- Wire size and connectors must conform to the ampere rating of the range as stated in paragraph C-1.
- Attach special ring connectors to the aluminum house wiring that are UL listed and designed for joining copper to aluminum. These special ring connectors (available at electrical supply houses) can be attached directly to the range terminal block.
- The connectors must conform to the ampere rating of the range as stated in paragraph C-1.

7. If local codes permit, your range may be connected with a three wire flexible type, UL listed "pigtail" power cord of the proper ampere rating.* Plug must match a 3-wire NEMA type 10-50R receptacle (shown below).



8. **CAUTION: FOR MOBILE HOME USE, A 4-WIRE POWER CORD MUST BE USED.** This appliance is manufactured with ground connected to frame. This must be revised so green ground wire of 4-wire power cord is connected to frame.

If using a 4-wire NEMA type 14-50R receptacle (shown above) you must use a matching 4-wire UL listed "pigtail" power cord. Cord should be type SRD or SRDT, at least 4 feet long with all conductors ending in ring terminals at the appliance.

MINIMUM CONDUCTOR SIZE. . . (4-WIRE COPPER POWER CORD)

For 40 ampere circuits: two No. 8 conductors, one No. 10 white neutral, and one No. 8 green ground.

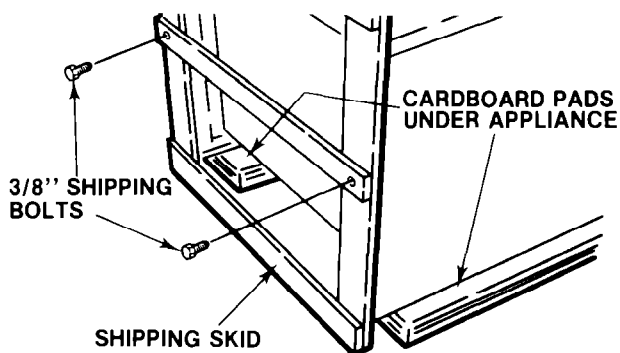
For 50 ampere circuits: two No. 6 conductors, one No. 8 neutral and one No. 6 green ground.

***CAUTION: Power Cord Requirements — Only a power supply cord kit rated at 240 volts, 50 amperes and investigated for use with ranges shall be used.**

2 Begin the installation

Remove racks and all other contents from oven before moving appliance. Be sure to remove all packaging material (cardboard, protective film, etc.) from range before use.

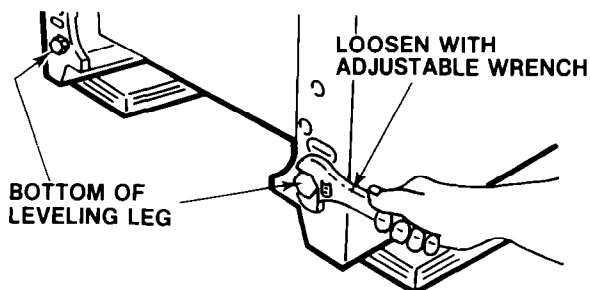
A. Remove shipping skid



Remove the 4 cardboard pads from shipping box. Place them on floor as shown to protect appliance's finish. Rest appliance (on its back) on pads.

Remove the two 3/8" shipping bolts from wooden skid. Discard the skid.

B. Extend leveling legs



Once skid is removed, 4 leveling legs are exposed at bottom of frame.

Loosen legs by applying an adjustable wrench to the 1 3/8" base of the leveling legs. Back each of them out about 4 complete turns.

Stand appliance on its base.

3 Begin electrical connection

Grounding Instructions

WARNING:

THIS APPLIANCE MUST BE CONNECTED TO A GROUNDED, METALLIC, PERMANENT WIRING SYSTEM, OR AN EQUIPMENT GROUNDING CONDUCTOR SHOULD BE RUN WITH THE CIRCUIT CONDUCTORS AND CONNECTED TO THE EQUIPMENT GROUNDING TERMINAL OR LEAD ON THE APPLIANCE.

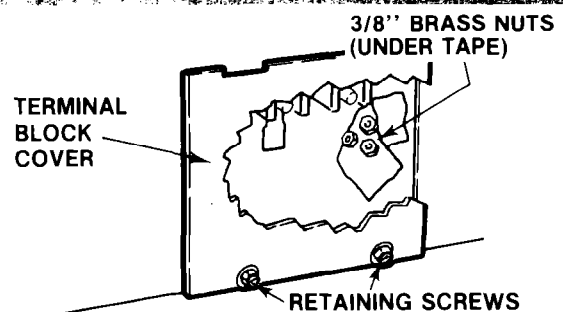
WARNING:

IT IS CUSTOMER'S RESPONSIBILITY:

- TO CONTACT A QUALIFIED ELECTRICAL INSTALLER.
- TO ASSURE THAT ELECTRICAL INSTALLATION IS ADEQUATE AND IN CONFORMANCE WITH NATIONAL ELECTRICAL CODE AND LOCAL CODE ORDINANCES.

CAUTION: Before connecting flexible armored cable for permanent wiring, disconnect power at fuse box or circuit breaker.

A. Remove terminal block cover



Terminal block cover is located on back of the appliance near the bottom.

Remove retaining screws to expose electrical terminal block.

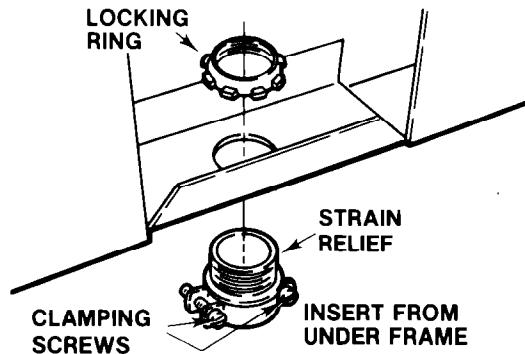
USE ONLY the supplied 3/8" brass nuts when connecting cord.

USE ONLY ring type terminals to connect cord.

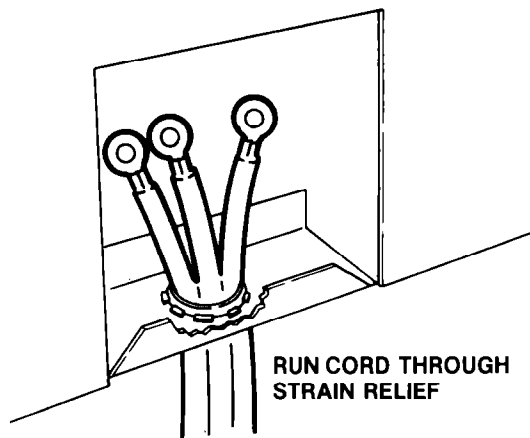
Installation Instructions



B. Strain relief required

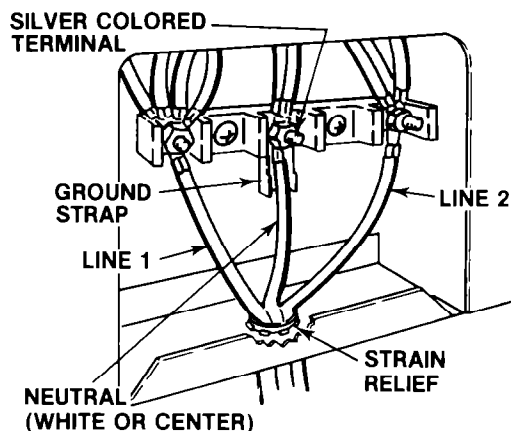


Disconnect clamping ring from strain relief. Push relief (from bottom) through hole beneath terminal block. Tighten clamping ring (from above) onto strain relief threads.



Run cord or cable through strain relief. Leave enough slack to attach ring-type terminals to terminal block. Tighten clamping screws.

C. If frame grounding is allowed



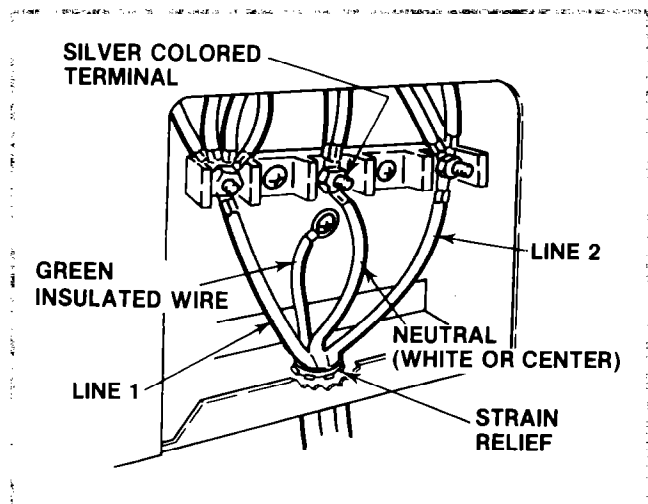
Use this wiring method **ONLY** if local codes permit connecting frame grounding conductor to neutral wire of power cord.

THIS APPLIANCE IS MANUFACTURED WITH NEUTRAL TERMINAL CONNECTED TO THE FRAME.

If local codes do not permit grounding through the neutral. The 3-conductor cord or cable assembly must be replaced by a 4-conductor cord. The replacement cord must be rated 240 volts, 50 amperes and investigated for use with ranges.

1. Connect neutral wire to the center silver-colored terminal.
2. Connect remaining 2 wires to the terminals on either side of the silver colored terminal.
3. Use ring type terminals only. Connect with the brass nuts that are taped to the frame. Do not loosen factory installed nuts already on the terminal.
4. Replace terminal block cover.

D. 4-wire electrical connections



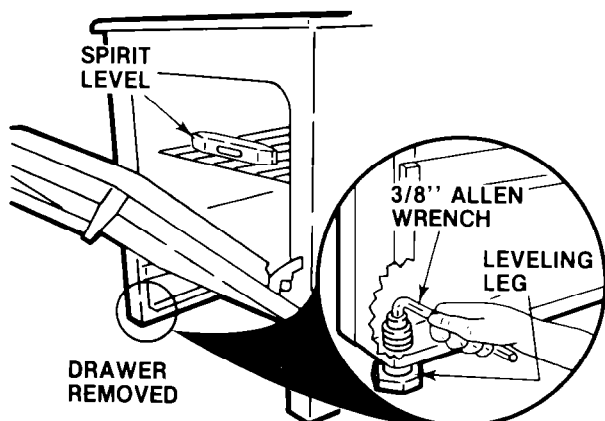
Use this wiring method for mobile homes and whenever a 4-wire installation is required.

1. Remove the grounding strap screw from the range frame. Keep this ground screw. Bend up the grounding strap so that it does not contact the range frame.
2. Connect the green ground wire to the frame of the appliance with the ground screw, using the hole in the frame where the ground strap was removed.
3. Connect the white neutral wire of the power cord to the silver colored terminal of the terminal block. Connect the remaining wires to the outer terminals.
4. Replace the terminal block cover.

4 Level and position the range

NOTE:

If installing the option vent hood, go to that step now. Instructions are on page 7. Level and position the range **after** the vent hood is attached.



A. Leveling

Move range into final operating position. Use caution when moving this appliance to prevent damage to floor coverings. The weight of the appliance may cause ripping, scratching or other damage to the floor. For best results, slide appliance onto cardboard or hardboard before moving to prevent damage.

Place rack in oven. Put spirit level on rack. If range needs leveling, remove oven drawer. The tops of leveling legs will be exposed as shown.

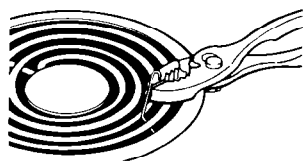
Use a $\frac{3}{8}$ " allen wrench to raise or lower legs as needed.

IMPORTANT: Oven must be properly leveled for satisfactory baking conditions.

B. Remove shipping clips

Each of the 4 elements is secured by a shipping clip.

Using screwdriver or pliers, bend upper part of the clip to vertical position. Slide clip out and discard it.

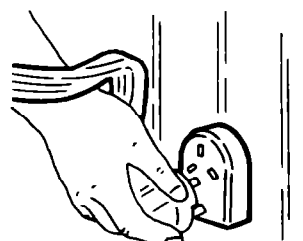


C. Complete electrical connection

Back appliance away from wall, leaving room to make connection.

Plug flexible pigtail into approved receptacle (if allowed by local codes). OR

Connect flexible armored or non-metallic shielded cable directly to fused disconnect box.



5 Check operation

CAUTION:

Do not touch any heating elements. They may be hot and you may be burned.

A. Surface elements

Turn on each of the 4 surface elements. Check to be certain they heat and check for proper operation of surface indicator light(s).

B. Oven elements

BAKE – Set selector switch on BAKE. Turn thermostat to 350° BAKE. The bottom element should glow red and indicator light should be on. The upper element should become hot but NOT glow red.

BROIL – Set selector switch on BROIL. Turn thermostat to high. The top element should glow red and indicator light should be on.

C. Rotisserie (if optional rotisserie kit is installed)

Place straight oven rack on bottom ledge position.

Place broiler pan on oven rack.

Place special rotisserie rack on broiler pan. Position the spit bar on this special rack.

Rotation should start when spit bar is inserted into receptacle in back of oven.

D. Clock (if so equipped)

Refer to operating instructions in the Use and Care Guide (packed in the oven).

E. Cleaning

See the Use and Care Guide (packed in the oven) for proper care and cleaning instructions.

6 Before you call for service. . .

See the Use and Care Guide for trouble-shooting checklist.

Be sure pigtail power cord is plugged in.

Check for blown fuses or tripped circuit breaker.

If you must call for service. . .

You will need the appliance model and serial number.

Find the serial plate on the front frame of the main oven behind the main door. For the Eye-level Microwave, it is on the front frame behind the microwave oven door.

Installation Instructions

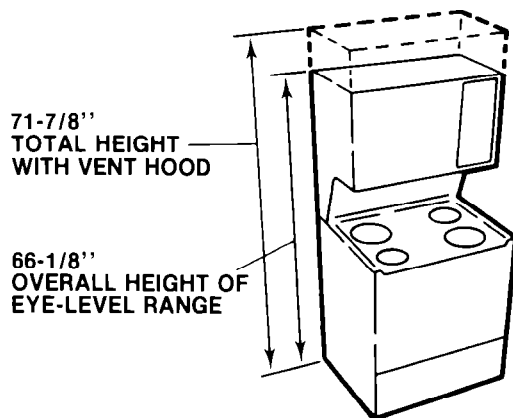


7 Installing optional vent hood

CAUTION:

Disconnect from electrical supply before installing vent hood.

A. Space required

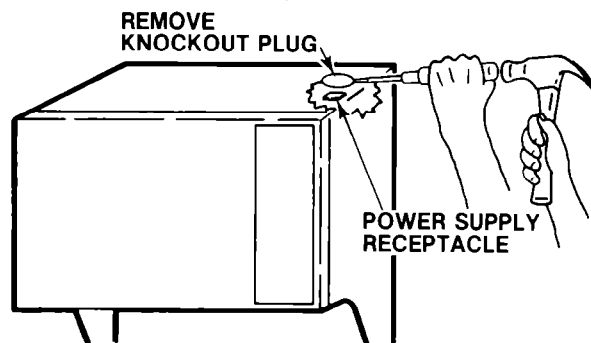


Install vent hood **BEFORE** making final electrical connection.

When measuring, remember that leveling legs will be adjusted. Total height needed for vent hood is 71-7/8" with legs extended about half way.

The top of the vent hood may be installed against bottom of over head cabinets.

B. Remove knockout plug



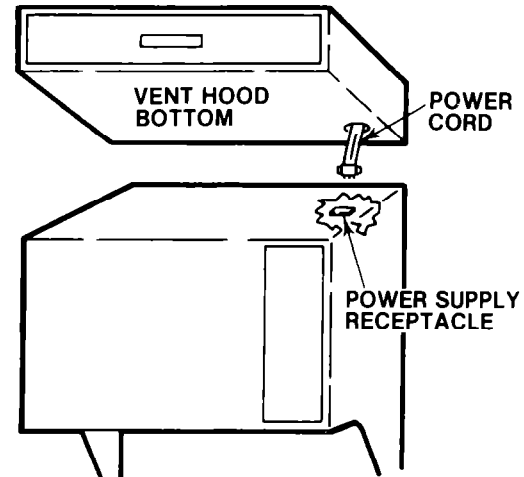
Position appliance so that front and back are accessible.

Knockout plug is at right rear of oven top panel.

Use hammer and screwdriver as shown to remove knockout plug.

CAUTION: Avoid damage to power supply receptacle located below knockout plug.

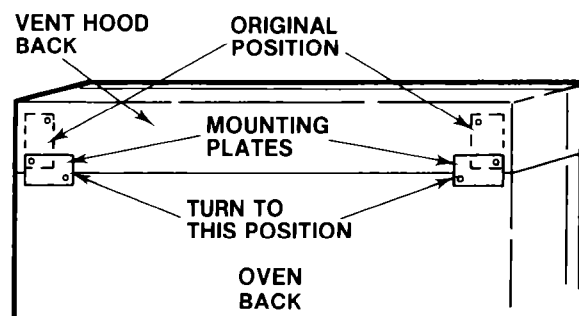
C. Connect vent hood



Reach through hole in bottom of vent hood, pull out power cord until all slack is removed.

Place vent hood on the top of the oven. Lift front of vent hood and connect vent hood power cord to the receptacle in the top of the oven.

Rest vent hood on the top of the oven.



Loosen screws holding the 2 mounting plates on the back of the vent hood. Rotate these plates (as shown) until the lower holes line up with matching screwholes in the back of the oven.

Fasten plates to the oven back using the 2 screws supplied with the vent kit. Retighten the screws that were loosened in the vent hood.

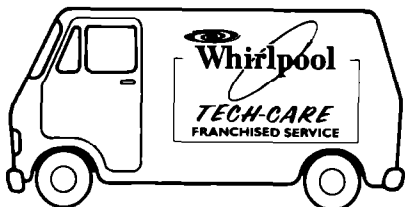
To connect ducting or to use vent hood in a ductless installation, see instructions packed with the vent hood.

See instructions packed with the vent hood for details on proper use and care.

When vent hood installation is finished, go to Step 4, "Level and position range" on page 6.



Making your world a little easier.



In the event your WHIRLPOOL appliance should need service, call the dealer from whom you purchased the appliance or a WHIRLPOOL franchised TECH-CARE® service company. He is in the Yellow Pages of your telephone directory listed under "Appliances-Household-Major-Service and Repair." You can also obtain his name and number by dialing, free, the Whirlpool COOL-LINE® service (800) 253-1301. Dial just as you normally dial long distance. A special operator will tell you the name and number of your nearest Whirlpool TECH-CARE® service outlet. During normal working hours, Whirlpool consultants at this same number will also answer any questions about operating or maintaining your appliance not covered in your Use and Care Guide.

Learn the benefits of using TECH-CARE service for maintaining the quality originally built into your WHIRLPOOL appliance.

Part No. 313480 Rev. B

Printed in U.S.A.

Refrigerators, Freezers, Refrigerator-Freezers, Ice Makers, Dishwashers, Built-In Ovens and Surface Units, Ranges, Microwave Ovens, Washers, Dryers, and Dishwashers



Free Manuals Download Website

<http://myh66.com>

<http://usermanuals.us>

<http://www.somanuals.com>

<http://www.4manuals.cc>

<http://www.manual-lib.com>

<http://www.404manual.com>

<http://www.luxmanual.com>

<http://aubethermostatmanual.com>

Golf course search by state

<http://golfingnear.com>

Email search by domain

<http://emailbydomain.com>

Auto manuals search

<http://auto.somanuals.com>

TV manuals search

<http://tv.somanuals.com>