

## ELECTRIC BUILT-IN SINGLE & DOUBLE OVENS

*MODELS (singles):*

*KESO-140S/145S/170S/176S*

*SCO-1243/2433/1273/2733*

*MODELS (doubles):*

*KEDO-240SE/245SS/270SE/276SS*

*SCO-2243/2443/2273/2743*

# INSTALLATION INSTRUCTIONS

### INSTALLER: FINAL CHECK LIST

IMPORTANT:

LEAVE THESE INSTRUCTIONS FOR USE BY LOCAL ELECTRICAL INSPECTOR

#### PLACEMENT OF UNIT

- 1. Properly positioned-level, aligned and square with cabinet opening.
- 2. Anchored securely to cabinet.
- 3. Installation debris removed.

#### ELECTRICAL

- 1. Oven properly grounded.
- 2. Separate 120/240 volt or 120/208 volt, 60 hertz, single phase branch of proper ampacity and protected by a fuse or circuit breaker with approved rating.
- 3. All connections made in accordance with local and/or National Electrical Code.

#### OPERATIONAL

- 1. Oven racks installed and slide freely in all positions.
- 2. Knobs securely in place and rotate freely without rubbing edges of control panel glass holes.
- 3. All lights function properly.
- 4. Clock timer buzzer operates.
- 5. Doors properly adjusted, open and close smoothly.
- 6. Selector switch functions in all modes
- 7. Unless instructed to leave for owner, remove all tags, labels and internal packing materials.
- 8. Oven has been wiped clean to remove fingerprints and other smudges.

### THANK YOU INSTALLER:

1. Complete Installation Check List.
2. Leave all literature for customer.
3. Notify dealer that installation is completed.

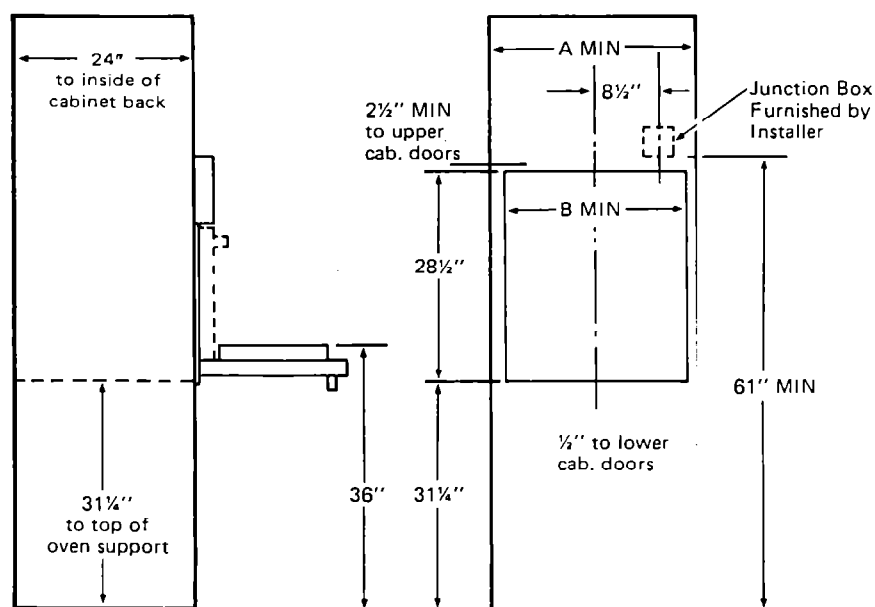
8/93

**IMPORTANT:** Read Before Installing to Save Time, Work,  
assure proper performance, and owner's warranty protection.

# INSTALLATION INSTRUCTIONS

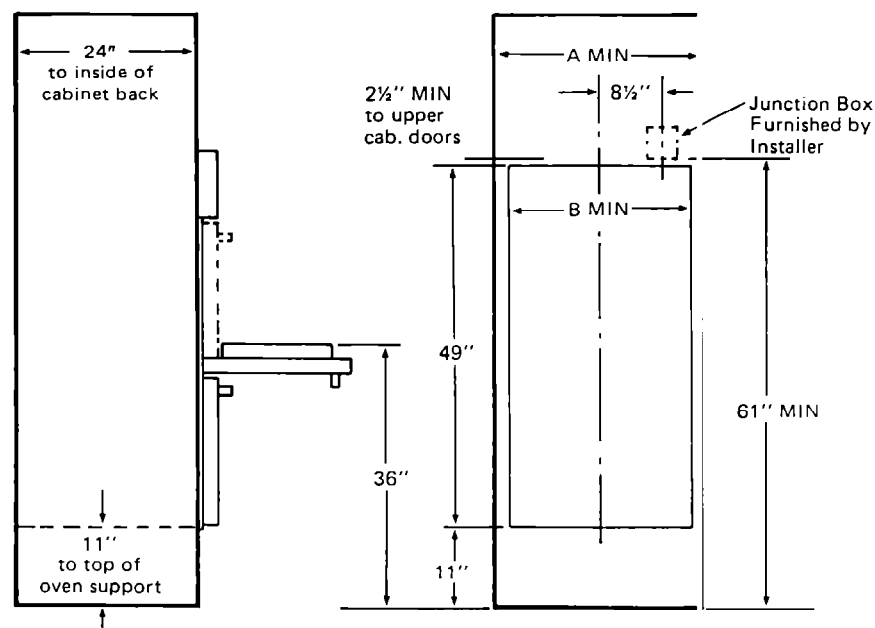
## CABINET CONSTRUCTION

The first item for the installation of the oven will be to secure an appropriate cabinet or provide a properly framed opening in the wall. Refer to Illustration and Tables below for the correct location and dimensions to use. A solid bottom or runners, spaced on 19½ centers are required in the opening to support the oven. The front of the cabinet must be at right angles to the supports as well as level. If the oven is not installed level, it will not cook properly.



### SINGLE OVENS

Model No.	A Min. Cabinet Width	B Min. Cut Out Width
KESO-140 KESO-145 SCO-1243 SCO-2433	24"	22 1/2"
KESO-170 KESO-176 SCO-1273 SCO-2733	27"	24 1/2"



### DOUBLE OVENS

Model No.	A Min. Cabinet Width	B Min. Cut Out Width
KEDO-240 KEDO-245 SCO-2243 SCO-2443	24"	22 1/2"
KEDO-270 KEDO-276 SCO-2273 SCO-2743	27"	24 1/2"

## ELECTRICAL

It is necessary to provide an appropriate junction box as shown on the previous page. The installation of this junction box and the wiring connecting it to the house wiring should be done by a qualified electrician. All wiring must be done in accordance with the National Electrical Code and/or any other applicable local codes or ordinances.

The power supply to the junction box must be 120/240 volt or 120/208 volt, 60 hertz A.C. single phase, 3 wire. Do not connect the oven to a D.C. power supply as serious damage to the components will result. Refer to TABLE 1 for fuse or circuit breaker size for the model being installed. Remember that the oven must have a separate circuit. Do not operate other electrical equipment on the same circuit.

TABLE 1

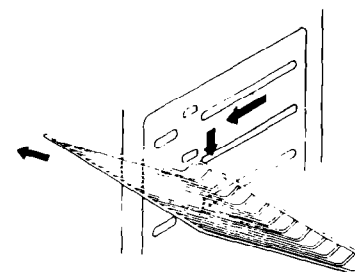
Model No.	Maximum Wattage	Fuse or Breaker Size Required
KESO-140/170 KESO-145/176 SCO-1243/1273 SCO-2433/2733	3.8 KW @ 240 V	30 AMPS
KEDO-240/270 SCO-2243/2273	6.0 KW @ 240 V	40 AMPS
KEDO-245/276 SCO-2443/2743	7.5 KW @ 240 V	

## UNPACKING THE UNIT

The oven should be left on the carton base until it is ready to be put into the cabinet. It is also recommended that the panels over the door(s) be left in place. These precautions will reduce the possibility of damage to the front of the unit and the bottom of the front frame.

Prior to installation, test the electrical service to assure that it agrees with the specifications on the oven data plate.

Remove all cords, tape and wire used to hold various parts in position during shipment. Remove oven racks from the inside of the oven and put to one side while oven is being installed in cabinet. Take broiler pan and grid from packing on top of the oven and keep with literature packet in a location where they will be retained by the owner.



### To Remove Oven Racks

Slide rack forward until bar on back of rack touches first stop.  
Lift front of rack until rear portion of rack slides out between front two stops.

## ELECTRICAL CONNECTION

**WARNING:** ELECTRICAL AND GROUNDING CONNECTIONS MUST COMPLY WITH THE APPLICABLE PORTIONS OF THE NATIONAL ELECTRICAL CODE AND/OR OTHER LOCAL ELECTRICAL CODES.

**WARNING:** DISCONNECT ELECTRICAL POWER SUPPLY AND PLACE A TAG AT THE DISCONNECT SWITCH INDICATING THAT YOU ARE WORKING ON THE CIRCUIT.

Connect the conduit from the oven to the junction box and properly connect to the power supply leads. (Bare to ground, black to L2, red to L1, white to neutral or according to local code.)  
**GROUNDING – THE OVEN MUST BE GROUNDED.**

Do not work on the oven wiring until the oven has been positively grounded.

The oven frame is grounded through the bare grounding wire. Connect it to ground in accordance with local codes. Connect the white neutral to the service neutral wire at the junction box.

## INSTALLING THE UNIT IN CABINET

The doors should be removed to decrease the weight of the oven and provide a better hand hold on the oven while lifting it into the cabinet.

### A. To Remove Doors (See Fig. 1)

Use caution! Oven door is heavy.

1. Open door completely.
2. Depress finger tab in oven door hinge area. Push tab toward oven. Lift tab away from door liner and slide toward top of oven door.
3. Repeat step 2 for other side of door.
4. Close door until approximately 5 inches from fully closed position.
5. Slide door off the hinge arm assemblies.
6. Repeat steps 1 through 5 for other door on double ovens.

Be sure that phenolic spacers at either side of oven are in place to provide proper air flow between cabinet and oven.

When oven has been placed into cabinet, the bottom trim strip is placed on lower edge of front frame. This is done by loosening the three screws at the bottom of the front frame. Slide the trim strip under the screw heads until the strip meets the lower corners of the front frame (See Fig. 2). Tighten screws to hold to front frame.

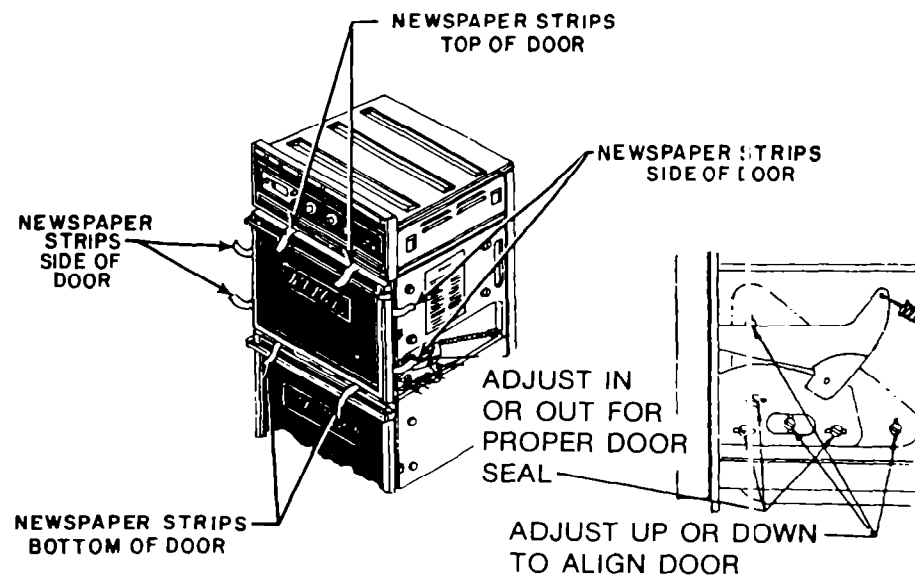
Secure oven to cabinet with # 8 screws provided. Do not overtighten screws. Edge of front frame should be parallel to cabinet. Disregard any excess screws that are left after all screw holes in front frame have been used.

### B. Replace Oven Racks in Oven Cavity.

### C. Reinstall The Door(s) (See Fig. 1)

1. Slide door hinge arms until firmly seated.
2. Lower door to full open position.
3. Push finger tabs to back. Depress the tabs and slide forward.
4. Close and reopen door slowly to make sure it has been replaced properly.
5. Repeat steps 1 through 4 for other door on double oven.

### DOOR ADJUSTMENT CHECK



Specifications Subject to Change Without Notice

FORM 15922A

4177783

PRINTED IN U.S.A.

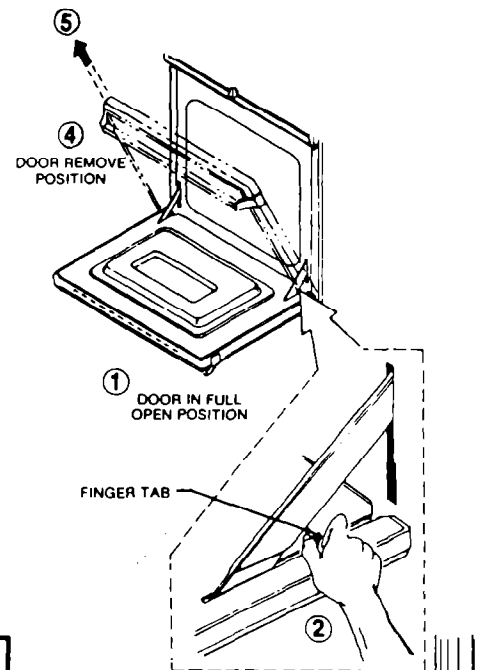


Fig. 1

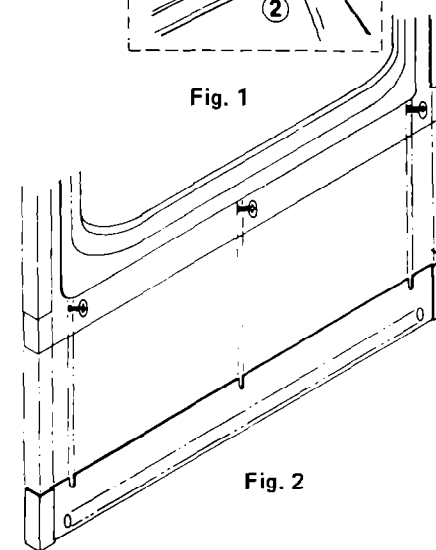


Fig. 2

Place 2" x 18" strips of newspaper in locations indicated by illustration. Allow one end of the paper to extend into the oven cavity. Pull gently at each piece of paper. If door is properly adjusted, each piece of paper will offer firm resistance when pulled. When door is out of adjustment, slide unit out far enough to expose hinges on each side. Loosen screws and move bottom of door to a proper fit. After completing adjustment tighten all screws in hinges.

## Free Manuals Download Website

<http://myh66.com>

<http://usermanuals.us>

<http://www.somanuals.com>

<http://www.4manuals.cc>

<http://www.manual-lib.com>

<http://www.404manual.com>

<http://www.luxmanual.com>

<http://aubethermostatmanual.com>

Golf course search by state

<http://golfingnear.com>

Email search by domain

<http://emailbydomain.com>

Auto manuals search

<http://auto.somanuals.com>

TV manuals search

<http://tv.somanuals.com>