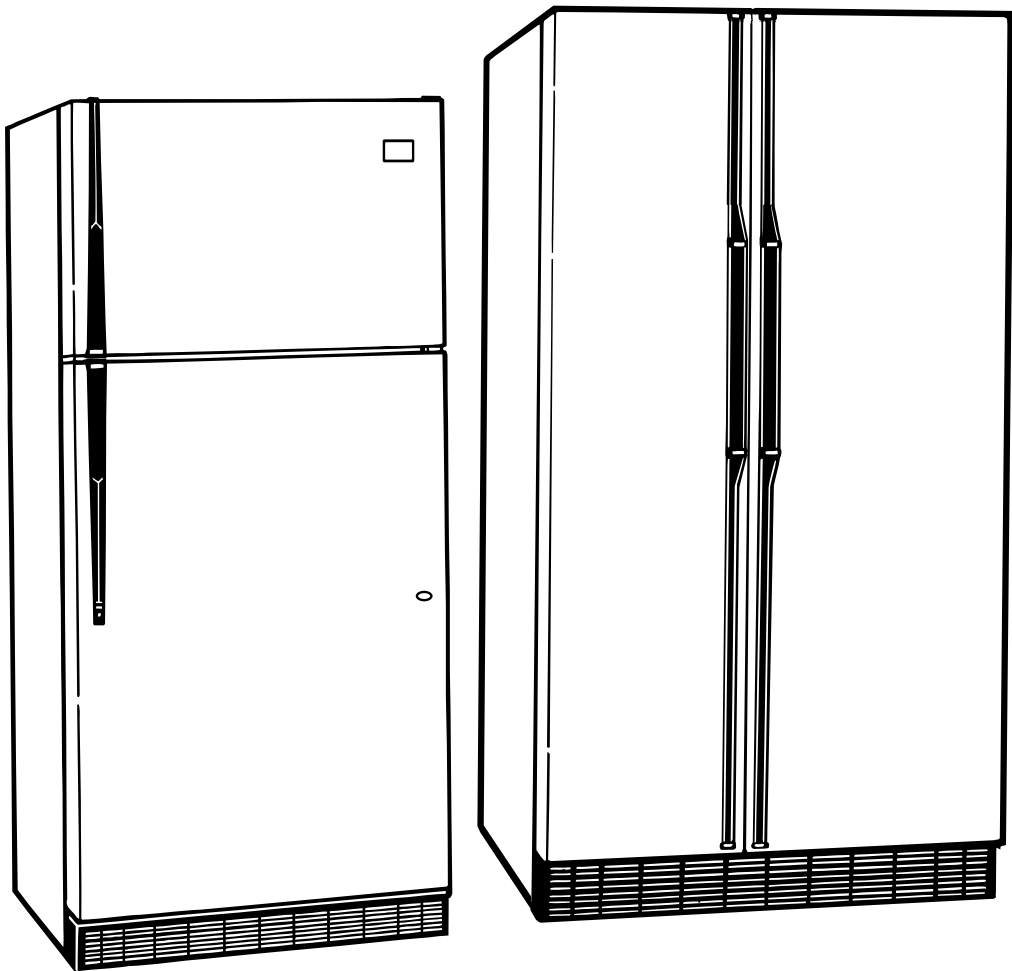




# 惠而浦電冰箱

REFRIGERADORES SIN ESCARCHA  
NO-FROST REFRIGERATOR-FREEZER



中文部分

ESPAÑOL

ENGLISH

## 使用說明書

Guía de Uso Y Cuidado  
Use And Care Guide

2195258

Download from [www.somanuals.com](http://www.somanuals.com). All Manuals Search And Download.



# Table of Contents

	Page		Page
<b>A Note to You</b> .....	<b>2</b>	Adjusting the crisper cover track .....	<b>16</b>
<b>Refrigerator Safety</b> .....	<b>3</b>	Adjusting the freezer shelf .....	<b>17</b>
<b>Parts and Features</b> .....	<b>4</b>	Adjusting the half-width freezer shelf .....	<b>17</b>
<b>Before Using Your Refrigerator</b> .....	<b>6</b>	Removing the pull-out freezer floor .....	<b>18</b>
<b>Using Your Refrigerator</b> .....	<b>9</b>	Using the ice cube trays .....	<b>18</b>
Setting the controls .....	<b>9</b>	Using the optional automatic ice maker .....	<b>19</b>
Changing the control settings .....	<b>10</b>	Attaching the optional ice maker to a water supply .....	<b>20</b>
Removing the drop-in door trim pieces .....	<b>10</b>	Removing the base grille .....	<b>22</b>
Removing the snap-off door trim .....	<b>11</b>	Changing the light bulbs .....	<b>23</b>
Removing the snap-off door trivets .....	<b>11</b>	Understanding the sounds you may hear .....	<b>24</b>
Adjusting the door bins .....	<b>11</b>	Saving energy .....	<b>24</b>
Adjusting the utility compartment and tray .....	<b>12</b>	Reversing the door swing .....	<b>25</b>
Adjusting the refrigerator shelves .....	<b>12</b>	<b>Caring for Your Refrigerator</b> .....	<b>29</b>
Adjusting the EZ-TRACK* refrigerator shelf .....	<b>13</b>	<b>Food Storage Guide</b> .....	<b>32</b>
Removing the meat drawer and cover .....	<b>14</b>	<b>Troubleshooting</b> .....	<b>34</b>
Removing the crispers and crisper cover .....	<b>15</b>	<b>Requesting Service</b> .....	<b>34</b>
Adjusting the crisper humidity control .....	<b>16</b>	<b>Warranty</b> .....	<b>35</b>



# A Note to You

Thank you for buying a WHIRLPOOL\* appliance.

Because your life is getting busier and more complicated, WHIRLPOOL Refrigerators are easy to use, save time, and help you manage your home better. To ensure you enjoy years of trouble-free operation, we developed this Use and Care Guide. It contains valuable information about how to operate and maintain your appliance properly and safely. Please read it carefully.

Please record your model's information.

Whenever you call to request service on your appliance, you need to know your complete model number and serial number. You can find this information on the model and serial number label (see diagrams on pages 4-5 for location of label).

Please also record the purchase date of your appliance and your dealer's name, address, and telephone number.

**Model Number** \_\_\_\_\_

**Serial Number** \_\_\_\_\_

**Purchase Date** \_\_\_\_\_

**Dealer Name** \_\_\_\_\_

**Dealer Phone** \_\_\_\_\_

Keep this book and the sales slip together in a safe place for future reference.

# Refrigerator Safety

Your safety is important to us.

This guide contains safety symbols and statements. Please pay special attention to these symbols and follow any instructions given. Here is a brief explanation of the use of the symbol.



This symbol alerts you to hazards such as fire, electrical shock, or other injuries.

## IMPORTANT SAFETY INSTRUCTIONS

### WARNING

To reduce the risk of fire, electrical shock, or injury when using your refrigerator, follow these basic precautions:

- Read all instructions before using the refrigerator.
- Never allow children to operate, play with, or crawl inside the refrigerator.
- Never clean refrigerator parts with flammable fluids. The fumes can create a fire hazard or explosion.

#### • FOR YOUR SAFETY •

DO NOT STORE OR USE GASOLINE OR OTHER FLAMMABLE VAPORS AND LIQUIDS IN THE VICINITY OF THIS OR ANY OTHER APPLIANCE. THE FUMES CAN CREATE A FIRE HAZARD OR EXPLOSION.

– SAVE THESE INSTRUCTIONS –

## Proper disposal of your old refrigerator

### WARNING

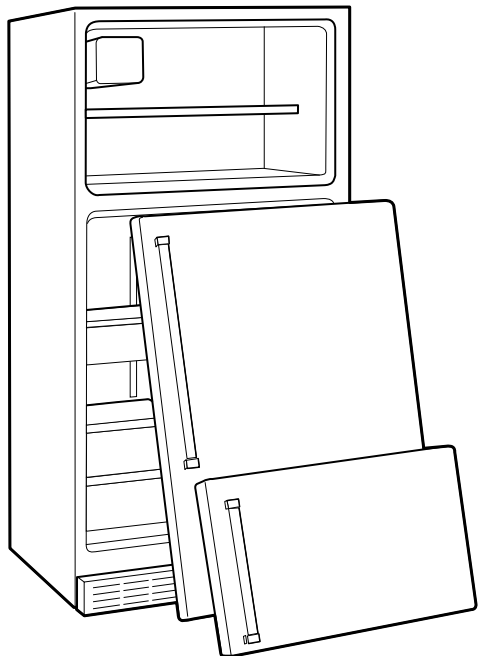
#### Suffocation Hazard

Remove doors from your old refrigerator. Failure to do so can result in death or brain damage.

**IMPORTANT:** Child entrapment and suffocation are not problems of the past. Junked or abandoned refrigerators are still dangerous ... even if they will sit for "just a few days." If you are getting rid of your old refrigerator, please follow the instructions below to help prevent accidents.

#### BEFORE YOU THROW AWAY YOUR OLD REFRIGERATOR OR FREEZER:

- Take off the doors.
- Leave the shelves in place so that children may not easily climb inside.

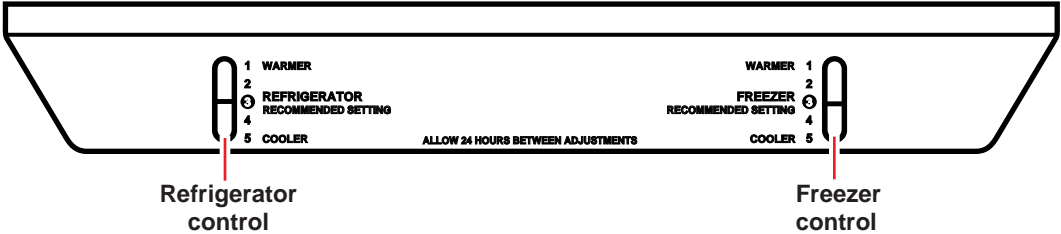


# Parts and Features

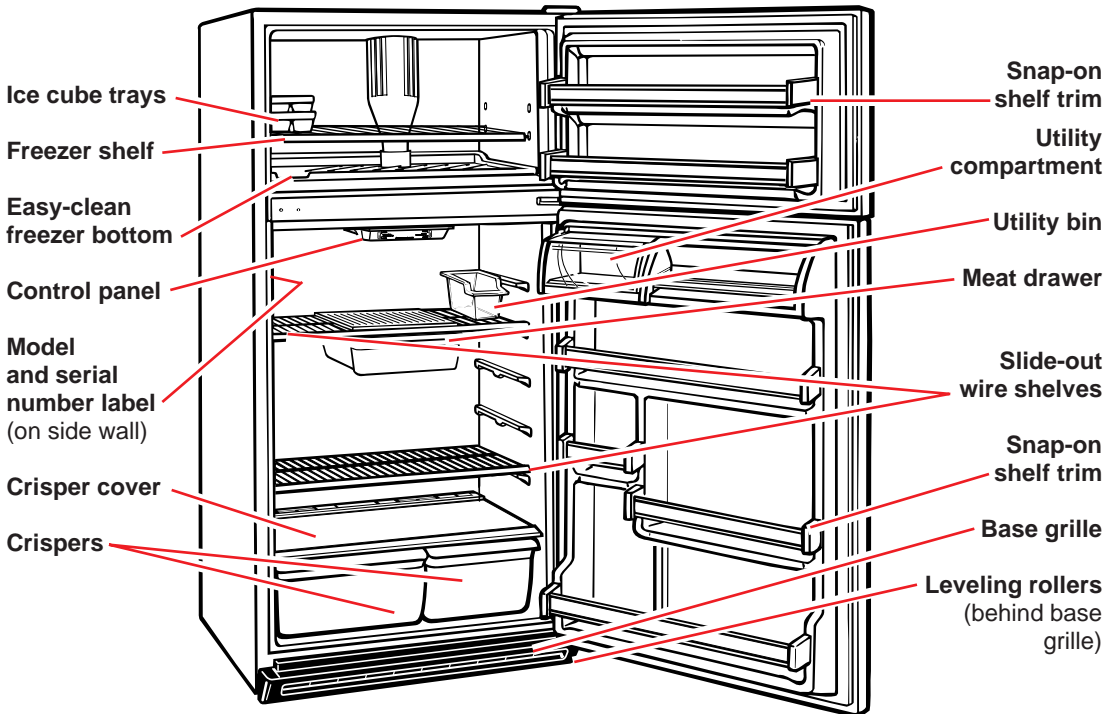
This section contains captioned illustrations of your appliance. Use them to become familiar with where all parts and features are located and what they look like.

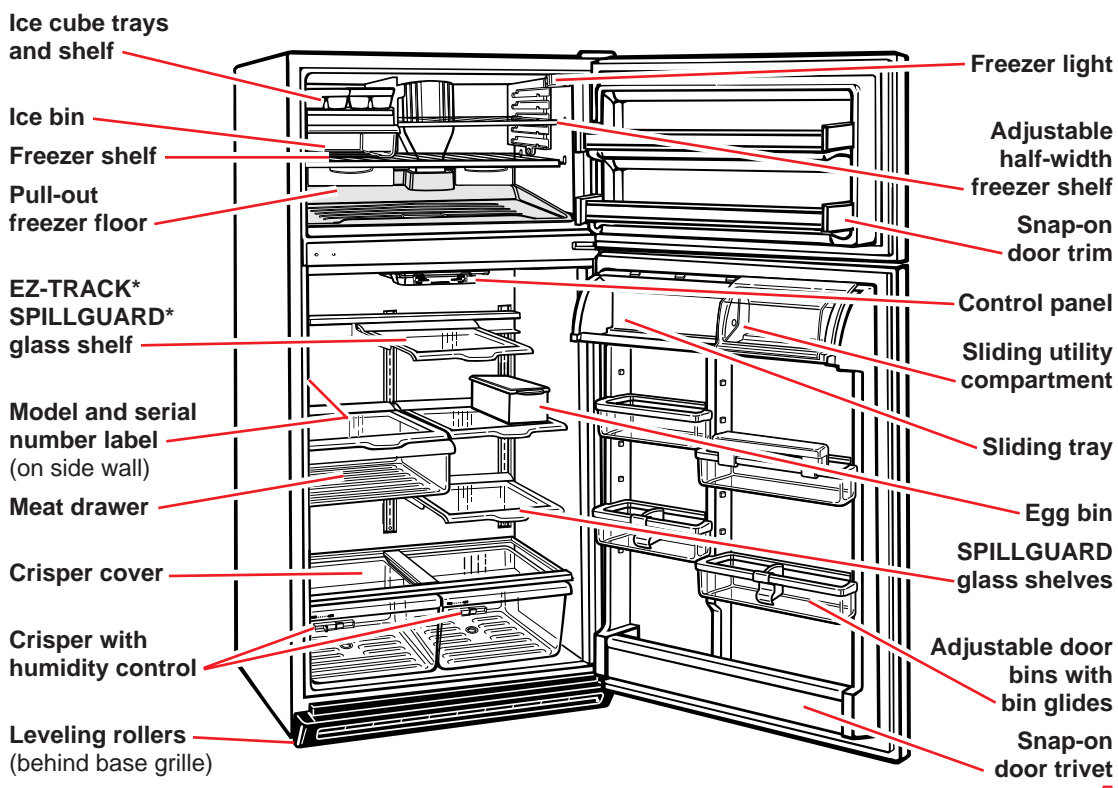
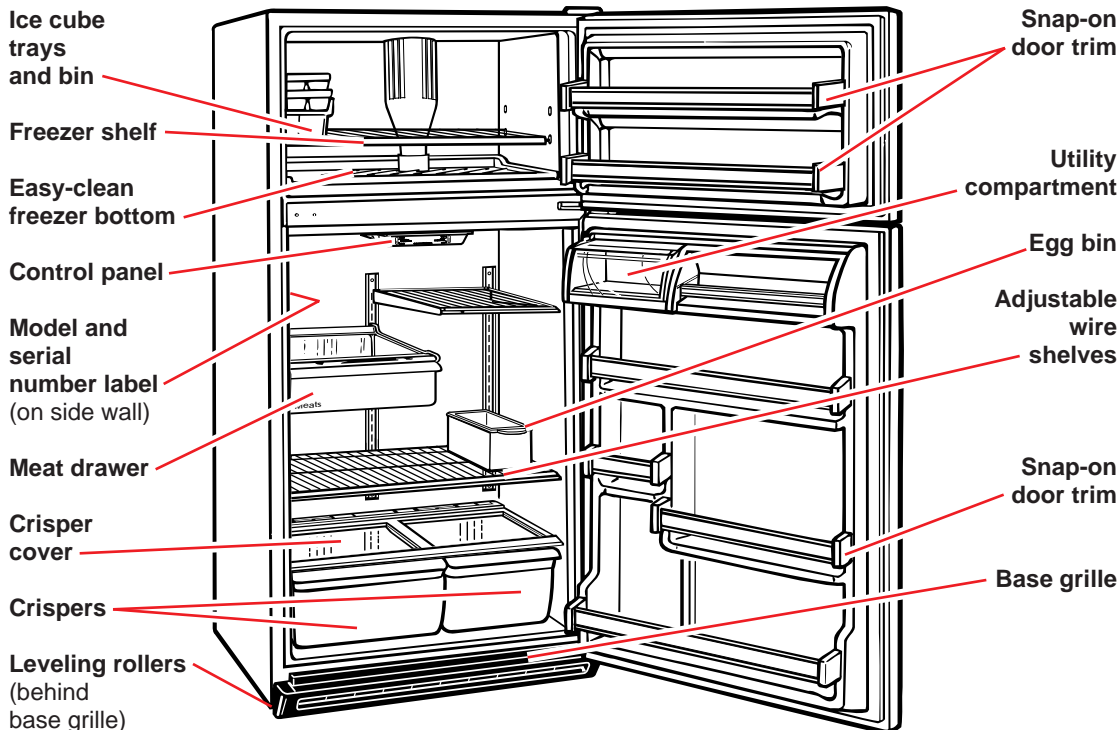
## Control panels

### STYLE 1



### STYLE 2





# Before Using Your Refrigerator

It is important to prepare your refrigerator for use. This section tells you how to clean it, install it, connect it to a power source, and level it. For information on how to attach the optional ice maker to a water supply, see page 20, or for information on how to reverse the door swing, see page 25.

## Cleaning your refrigerator

### Removing packaging materials

Remove tape and any inside labels (except the model and serial number label) before using the refrigerator.

### To remove any remaining tape or label glue:

- Rub briskly with thumb.

### OR

- Apply liquid hand-dishwashing detergent to area before removing glue as described above. Do not use sharp instruments, rubbing alcohol, flammable fluids, or abrasive cleaners. These can damage the material. See "Important Safety Instructions" on page 3.

**NOTE:** Do not remove any permanent instruction labels inside your refrigerator. Do not remove the Tech Sheet fastened under the refrigerator at the front.

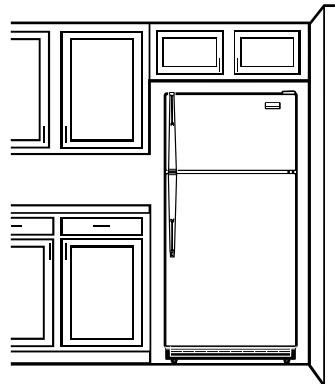
### Cleaning it before use

After removing all packaging materials, clean your refrigerator before using it, if necessary. See cleaning instructions on page 29.



## Installing it properly

1. Allow 1/2-inch (1.25 cm) space on each side and at the top of the refrigerator for ease of installation.
2. If the hinge side of the refrigerator is to be against a wall, you might want to leave extra space so the door can be opened wider.
3. The refrigerator can be flush against the back wall.





# Plugging it in

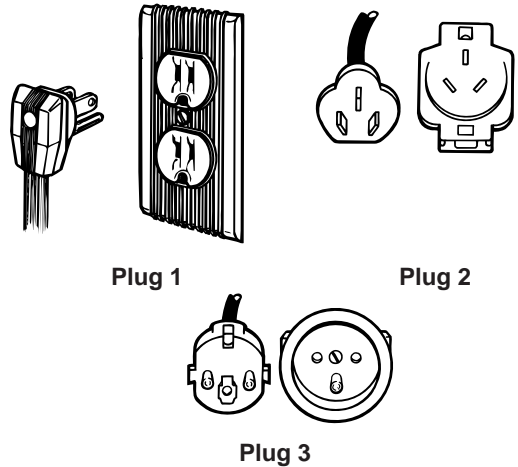
**⚠ WARNING**



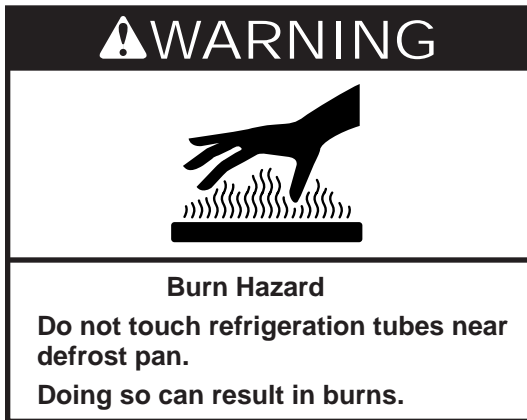
**Electrical Shock Hazard**  
Plug into a grounded 3 prong outlet.  
Do not remove ground prong.  
Do not use an adapter.  
Do not use an extension cord.  
Failure to follow these instructions  
can result in death, fire, or  
electrical shock.

## Recommended Grounding Method

A 115 Volt/60 Hz (Plug 1), 220/240 Volt/50 Hz (Plug 2), 220 Volt/60 Hz (Plug 3) AC only 15 or 20 ampere fused and properly grounded electrical supply is required. It is recommended that a separate circuit serving only this appliance be provided. Use a receptacle which cannot be turned off with a switch or pull chain. Do not use an extension cord.

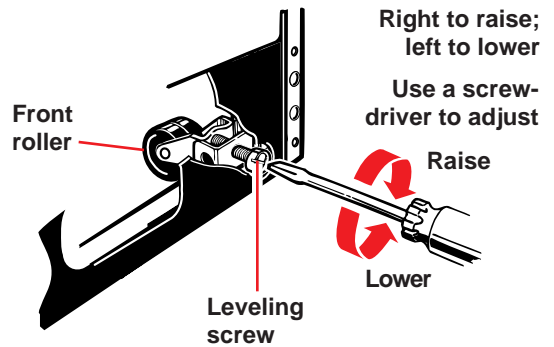


## Leveling it



Your refrigerator has 2 front leveling screws – one on the right and one on the left. To adjust one or both of these, follow the directions below.

1. Remove base grille. (See page 22.)
2. To raise front, turn screw clockwise.
3. To lower front, turn screw counterclockwise.
4. Check with level.
5. Replace base grille. (See page 23.)



# Using Your Refrigerator

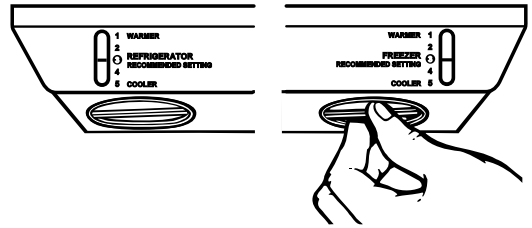
To obtain the best possible results from your refrigerator, it is important that you operate it properly. This section tells you how to set the controls, remove and adjust the features in your refrigerator, and how to save energy.

## Setting the controls

Controls for the refrigerator and freezer are in the refrigerator. When you plug in the refrigerator for the first time:

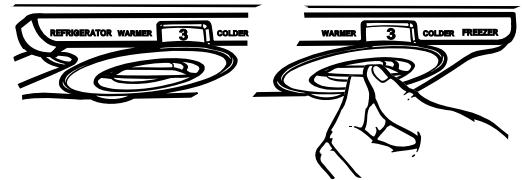
**1. Set the Refrigerator Control to 3 (Recommended Setting).** Refrigerator Control settings range from 1 (warmest) to 5 (coldest).

STYLE 1



**2. Set the Freezer Control to 3 (Recommended Setting).** Freezer Control settings range from 1 (warmest) to 5 (coldest).

STYLE 2



**3. Give the refrigerator time to cool down completely before adding food.** This may take several hours.

The settings indicated above should be correct for normal, household refrigerator usage. The controls are set correctly when milk or juice is as cold as you like and when ice cream is firm. If you need to adjust these settings, see "Changing the control settings" on page 10.

## Changing the control settings

If you need to adjust temperatures in refrigerator or freezer, use the settings listed in the chart below as a guide.

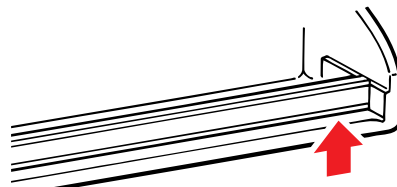
- Adjust the Refrigerator Control first.
- Wait at least 24 hours between adjustments.
- Then adjust the Freezer Control if needed.

CONDITION:	REASON:	RECOMMENDED CONTROL SETTINGS:	
		Refrigerator	Freezer
<b>Refrigerator section too warm</b>	<ul style="list-style-type: none"> <li>• Door opened often</li> <li>• Large amount of food added</li> <li>• Room temperature too warm</li> </ul>	<b>4</b>	<b>2</b>
<b>Freezer section too warm</b>	<ul style="list-style-type: none"> <li>• Door opened often</li> <li>• Large amount of food added</li> <li>• Very cold room temperature (can't cycle often enough)</li> </ul>	<b>3</b>	<b>4</b>
<b>Refrigerator section too cold</b>	<ul style="list-style-type: none"> <li>• Controls not set correctly for your conditions</li> </ul>	<b>2</b>	<b>4</b>
<b>Ice not made fast enough</b>	<ul style="list-style-type: none"> <li>• Heavy ice usage</li> <li>• Very cold room temperature (can't cycle often enough)</li> </ul>	<b>4</b>	<b>4</b>
<b>Both sections too warm</b>	<ul style="list-style-type: none"> <li>• Door opened often</li> <li>• Large amount of food added</li> <li>• Very warm or very cold room temperatures</li> </ul>	<b>4</b>	<b>4</b>

## Removing the drop-in door trim pieces (on some models)

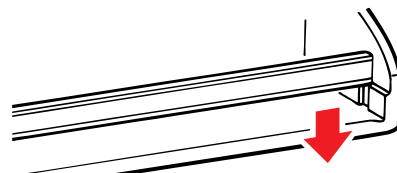
### To remove the trim piece:

1. Remove all items from the shelf.
2. Pull straight up on the trim piece at each end.



### To replace the trim piece:

1. Locate each end of the trim piece above the trim pocket opening.
2. Push the trim piece straight down until it stops.
3. Replace items on the shelf.

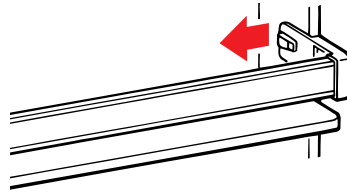


---

## Removing the snap-off door trim

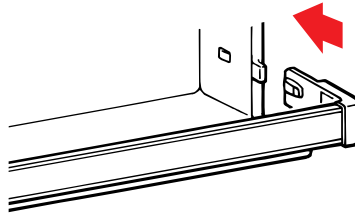
### To remove the trim piece:

1. Remove all items from the shelf.
2. Pull out on the inside tab at each end of the trim piece.
3. Lift trim piece straight out.



### To replace the trim piece:

1. Line up ends of the trim piece with the button on the door liner wall.
2. Push trim piece straight back until it snaps securely into place.
3. Replace items on the shelf.

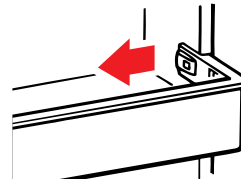


---

## Removing the snap-off door trivets (on some models)

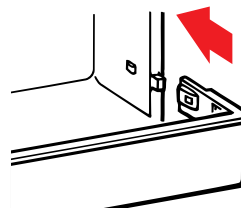
### To remove the trivet:

1. Remove all items from the shelf.
2. Pull out on the inside tab at each end of the trivet.
3. Lift trivet straight out.



### To replace the trivet:

1. Line up ends of trivet with the button on the door liner wall.
2. Push trivet straight back until it snaps securely into place.
3. Replace items on the shelf.



---

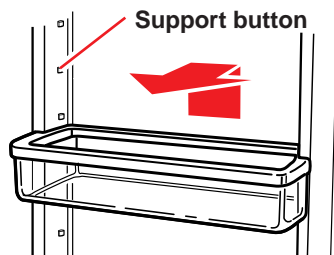
## Adjusting the door bins (on some models)

### To remove door bins:

1. Lift bin up.
2. Pull bin straight out.

### To replace door bins:

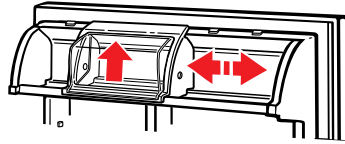
1. Slide bin in above desired support button.
2. Push down until it stops.



---

## Adjusting the utility compartment and tray (on some models)

The utility compartment and tray slide from one side to the other for more flexible storage. The tray fits on either side of the utility compartment or partially underneath it. Experiment and find the positions that work best for you.



### To adjust the utility compartment or tray:

1. Lift the front slightly.
2. Slide to desired position.
3. Lower front to lock into place.

---

## Adjusting the refrigerator shelves

Adjust the shelves to match the way you use your refrigerator. Glass shelves are strong enough to hold bottles, milk, and other heavy food items.

### Cantilever shelves

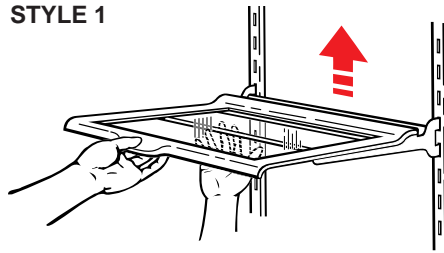
#### To remove a shelf:

1. Remove items from shelf.
2. Tilt shelf up at front.
3. Lift shelf at back.
4. Pull shelf straight out.

#### To replace a shelf:

1. Guide the rear shelf hooks into the slots in the shelf supports on the back liner wall.
2. Tilt front of shelf up until hooks drop into slots.
3. Lower front of shelf to a level position.

### STYLE 1



**NOTE:** Glass shelves are heavy. Handle them carefully.

### Slide-out shelves

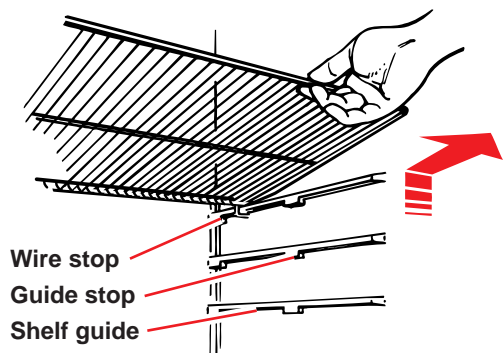
#### To remove the shelves:

1. Remove all items from the shelf.
2. Slide shelf straight out to the stop.
3. Lift the front slightly.
4. Slide shelf out the rest of the way.

#### To replace the shelves:

1. Fit back of shelf on top of guide with wire stops on the bottom of the guide.
2. Lift the front.
3. Slide shelf in until it clears all stops.

### STYLE 2



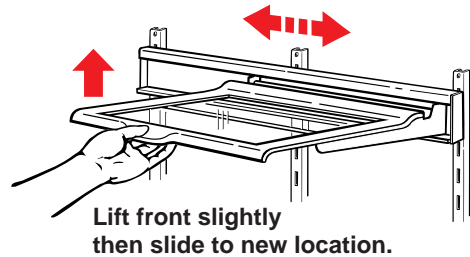
# Adjusting the EZ-TRACK\* refrigerator shelf (on some models)

The EZ-TRACK shelf slide from side to side for more flexible storage in your refrigerator.

## To slide shelf side-to-side:

1. Lift slightly on shelf front.
2. Slide to desired location.
3. Lower shelf front to level position.

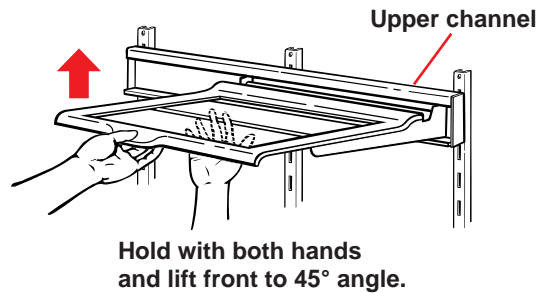
**NOTE:** You do not have to remove small items from the shelf before moving it side-to-side. You may need to remove larger items.



## To remove the shelf:

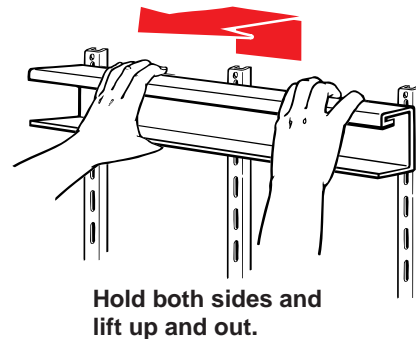
1. Remove all items from the shelf.
2. Hold back of shelf with one hand.
3. Lift front of shelf to 45° angle.
4. Lower shelf slightly to release shelf from upper channel of track. Then pull shelf straight out.

**NOTE:** Shelf is heavy. Make sure you use both hands when removing shelf.



## To remove shelf track:

1. Lift both sides of track slightly.
2. Pull track straight out.

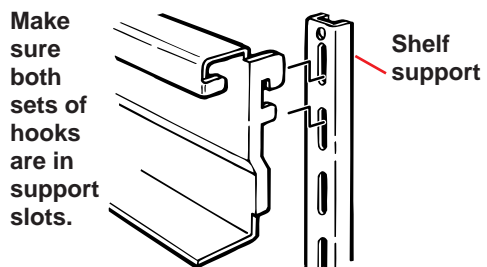


## To replace shelf track:

1. Guide track hooks into the shelf support slots on the back wall of the cabinet.

**NOTE:** Make sure all three track hooks are in slots and that the slots are parallel to each other.

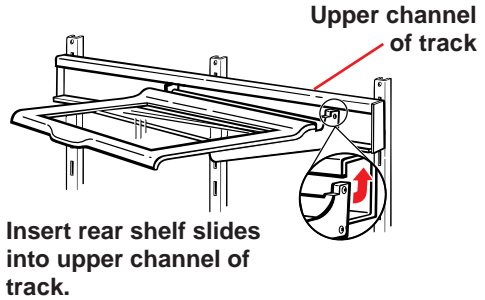
2. Push track backward and down.
3. Check that track is completely seated in the shelf supports.



### To reinstall shelf:

1. Hold shelf at front and back.
2. Tilt front of shelf up to a 45° angle to track.
3. Insert both rear shelf slides into upper channel of track.
4. Lower front of shelf to a level position.

**NOTE:** Make sure both rear shelf slides are securely in the track before letting go of shelf.



---

## Removing the meat drawer and cover

### Style 1

#### To remove the meat drawer:

1. Slide meat drawer out to the stop.
2. Lift front of meat drawer and slide meat drawer out the rest of the way.
3. Replace in reverse order.

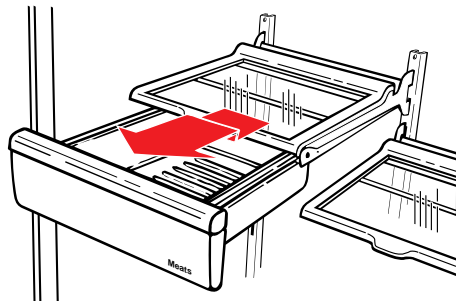
#### To adjust the cover position:

1. Tilt front of cover up.
2. Lift back of cover.
3. Pull cover straight out.

#### To replace the cover:

1. Guide the cover's rear hooks into the slots in the shelf supports on cabinet wall.
2. Tilt cover up at front until the hooks drop into slots.
3. Lower front of cover to a level position.

### STYLE 1



Pull out to the stop, lift the front, and pull again.



## Style 2

Remove the meat drawer and cover for easier cleaning.

### To remove the meat drawer:

1. Slide meat drawer out to the stop.
2. Lift the front of the meat drawer.
3. Slide meat drawer out the rest of the way.
4. Replace in reverse order.

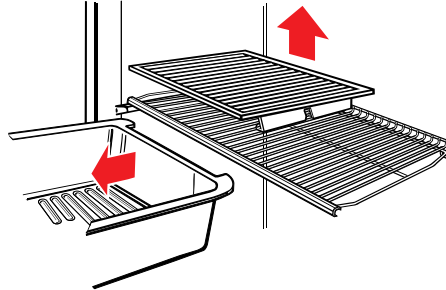
### To remove the cover:

1. Remove meat drawer.
2. Push cover back to release the rear of the cover from the shelf.
3. Tilt cover up at the front.
4. Pull cover forward and out.

### To replace the cover:

1. Fit notches and rear edge of cover over rear and center crossbars on the shelf.
2. Lower cover into place.
3. Replace the meat drawer.

### STYLE 2



Remove meat drawer before cover.

## Removing the crispers and crisper cover

For your convenience, one crisper is slightly larger than the other. This allows you to store celery and other longer items in your crisper.

### To remove the crispers:

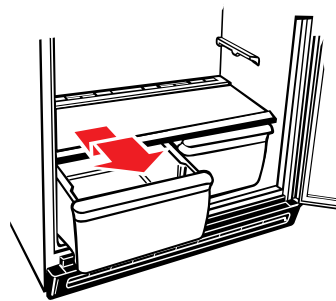
1. Slide crisper straight out to the stop.
2. Lift the front.
3. Slide out the rest of the way.
4. Replace in reverse order.

### To remove the cover:

1. Push up the cover insert from the bottom, then slide out with both hands.
2. Lift front of cover frame.
3. Lift cover frame up and out.

### To replace the cover:

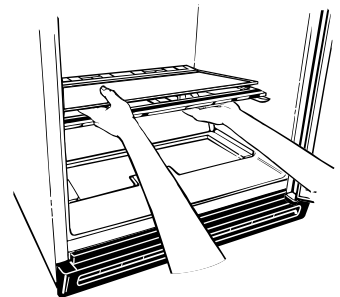
1. Fit back of cover frame into notch supports on back wall of refrigerator, then lower the front into place.
2. Slide back of cover insert into place, then lower the front.



Pull out to the stop, lift the front, and pull again.

Remove the cover insert. Lift the cover front, then the back.

**NOTE:** If cover insert is glass, handle it with care. It could be heavy.

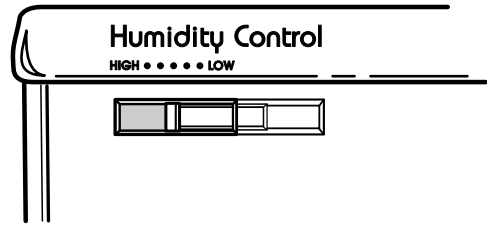


---

## Adjusting the crisper humidity control

You can control the amount of humidity in the moisture-sealed crispers. Adjust the control to any setting between LOW and HIGH.

- LOW (open) lets moist air out of the crisper for best storage of fruits and vegetables with skins.
- HIGH (closed) keeps moist air in the crisper for best storage of fresh, leafy vegetables.



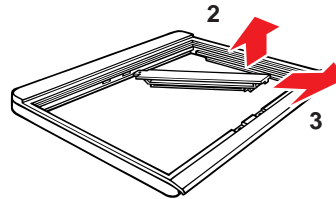
---

## Adjusting the crisper cover track

Because your crispers are not the same size, your crisper cover has an adjustable center track so you can switch positions of the crispers. You can adjust the center track with the cover in the refrigerator by removing the crispers and the cover insert.

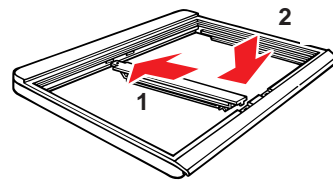
### To remove the center track:

1. Push up the cover insert from the bottom, then slide out with both hands.
2. Gently pull up on front end of track.
3. Pull rear end of track out of opening in cover.



### To replace the center track:

1. Insert rear end of track (with hole) into opening in cover.
2. Lower front end of track into slot.
3. Make sure rear end of track has snapped into place on under side of cover.



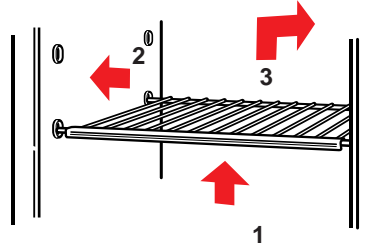
---

## Adjusting the freezer shelf

Adjust the freezer shelf to match the way you use your freezer.

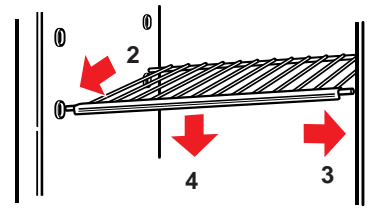
### To remove the shelf:

1. Lift entire shelf slightly.
2. Move shelf all the way to one side.
3. Tilt other side up and out of shelf support cups.
4. Pull shelf up and out.



### To replace the shelf:

1. Tilt the shelf and insert into freezer compartment.
2. Insert one end of the shelf all the way into the center of the shelf support cups.
3. Lower other end of shelf and insert into the shelf support cups.
4. Lower shelf into place.



**NOTE:** The shelf should lower slightly and lock into place. If the shelf does not appear sturdy, make sure both ends of the shelf are inserted into the shelf support cups.

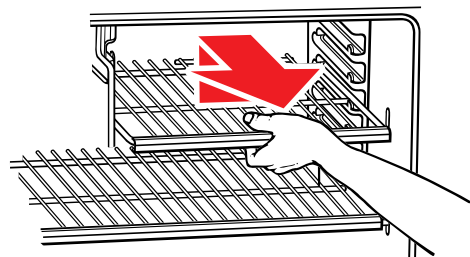
---

## Adjusting the half-width freezer shelf (on some models)

Adjust the shelf according to the space you need in your freezer. Use the bottom position when you don't need the shelf at all.

### To adjust the shelf:

1. Remove items from the shelf.
2. Lift shelf up at front.
3. Pull shelf out to the stop.
4. Lift back of shelf.
5. Pull shelf out the rest of the way.



### To replace the shelf:

1. Guide rear of shelf into desired guide.
2. Lift rear of shelf over stop.
3. Slide shelf in all the way.
4. Lower front into place.

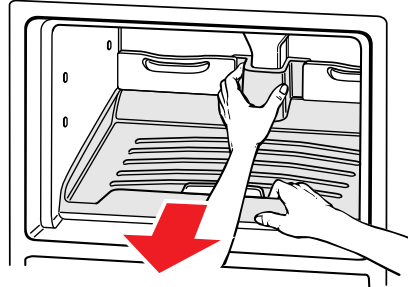
---

## Removing the pull-out freezer floor (on some models)

The freezer floor pulls out for easier access to foods in the back of the freezer and for easier cleaning.

### To remove the freezer floor:

1. Lift both back “fences” up and out.
2. Pull floor out about 1 inch (2.5 cm) with one hand around the air tower section (center back) and one hand at center front.
3. Lift floor up at rear until hooks release from cabinet.
4. Pull floor out the rest of the way.



### To replace the freezer floor:

1. Position back of floor into freezer opening.
2. Slide floor straight in until hooks drop into place at rear of cabinet.
3. Replace “fences” by aligning pins with sockets in the floor. Push down until they snap into place.

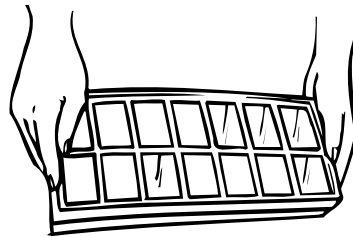
---

## Using the ice cube trays

If cubes are not used, they may shrink. The moving cold air starts a slow evaporation. The longer you store cubes, the smaller they get.

### To remove ice:

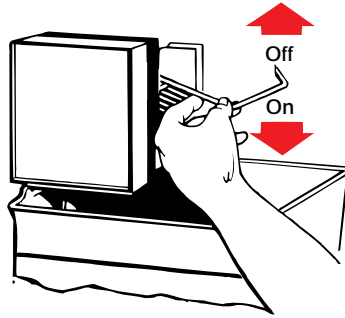
1. Hold tray at both ends.
2. Twist slightly.



## Using the optional automatic ice maker

If your refrigerator has an automatic ice maker, or if you plan to add one later (contact the dealer for ice maker kit number), here are a few things you should know.

- The ON/OFF lever is a wire signal arm.  
DOWN to make ice automatically  
UP to shut off the ice maker
- **IMPORTANT:** Do not turn ice maker on until you connect it to the water supply.
- If you remove the ice bin, raise the signal arm to shut off the ice maker. When you replace the bin, push it in all the way and lower the ice maker signal arm to the ON position.
- Good water quality is important for good ice quality. Try to avoid connecting the ice maker to a softened water supply. Water softener chemicals (such as salt from a malfunctioning softener) can damage the ice maker mold and lead to poor ice quality. If you cannot avoid a softened water supply, make sure the water softener is operating properly and is well maintained.



**UP**  
to stop  
ice maker.

**DOWN**  
to start  
ice maker.

### Solving common ice maker problems


PROBLEM	POSSIBLE CAUSE/SOLUTION
<b>Ice crescents attached at corners</b>	<ul style="list-style-type: none"> <li>• This is normal. They break apart easily. Shake bin occasionally to keep cubes separated.</li> </ul>
<b>Ice maker will not operate or ice is not made fast enough</b>	<ul style="list-style-type: none"> <li>• ON/OFF lever is in the OFF (up) position. Lower lever to the ON (down) position.</li> <li>• Freezer is not cold enough. Adjust temperature controls and wait 24 hours. (See "Changing the control settings" on page 10.)</li> </ul>
<b>Off-taste or odor in ice</b>	<ul style="list-style-type: none"> <li>• New plumbing connections can cause discolored or off-flavored ice. Discard the first few batches of ice.</li> <li>• Cubes are stored too long. Throw them away and make a new supply.</li> <li>• Food is not wrapped properly. See page 33.</li> <li>• Freezer and ice bin need to be cleaned. See page 29.</li> </ul>

---

# Attaching the optional ice maker to a water supply

Read all directions carefully before you begin.

**⚠ WARNING**



**Electrical Shock Hazard**

**Unplug the refrigerator before installing ice maker.**

**Failure to do so can result in death or electrical shock.**

**NOTE:** Your appliance dealer has a kit available with a 1/4-inch saddle-type shut-off valve, a union, and copper tubing. Before purchasing, make sure a saddle-type valve complies with your local plumbing codes. Do not use a piercing-type or 3/16-inch saddle valve which reduces water flow and clogs more easily.

## Cold water supply

The ice maker water valve contains a flow washer which is used as a water pressure regulator. The ice maker needs to be connected to a cold water line with water pressure limitations of 20-120 psi. If a problem occurs, call your utility company.

### IMPORTANT:

- Use copper tubing only and check for leaks.
- Install ice maker tubing in areas where temperatures are above freezing.

### Tools required:

- Standard screwdriver
- 7/16-inch and 1/2-inch open-end wrenches or two adjustable wrenches
- 1/4-inch nut driver
- 1/4-inch drill bit
- Hand drill or electric drill (properly grounded)

### IMPORTANT:

- It may take up to 24 hours for your ice maker to begin producing ice.
- If operating the refrigerator before installing the water connection, turn ice maker to the OFF position to prevent operation without water.
- All installations must be in accordance with local plumbing code requirements.

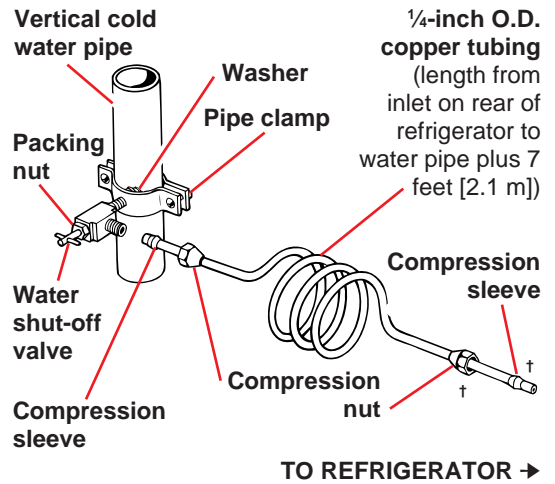
**Installation is not warranted by refrigerator or ice maker manufacturer.**

## Connecting to water line

1. Find a 1/2-inch to 1 1/4-inch vertical COLD water pipe near the refrigerator.

**NOTE:** Horizontal pipe will work, but the following precaution must be taken: Drill on the top side of the pipe, not the bottom. This will help keep water away from the drill. This also keeps normal sediment from collecting in the valve.

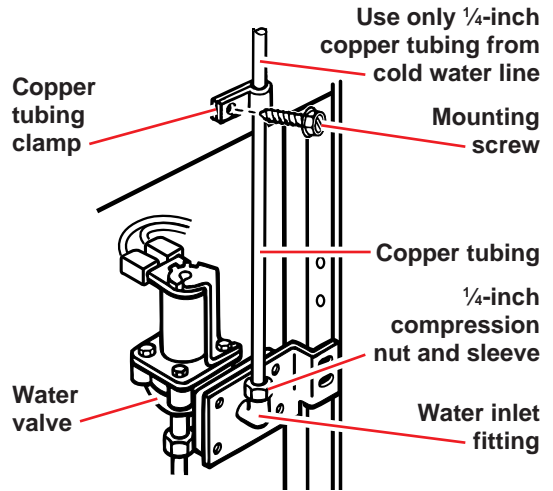
2. Measure from connection on rear of refrigerator to water pipe. Add 7 feet (2.1 m) to allow for moving refrigerator for cleaning. This is the length of 1/4-inch O.D. copper tubing you will need for the job (length from connection to water pipe PLUS 7 feet [2.1 m]). Be sure both ends of copper tubing are cut square.
3. Turn OFF main water supply. Turn ON nearest faucet long enough to clear line of water.
4. Using a grounded drill, drill a 1/4-inch hole on the cold water pipe you have selected.
5. Fasten shut-off valve to cold water pipe with pipe clamp. Be sure outlet end is solidly in the 1/4-inch drilled hole in the water pipe and that washer is under the pipe clamp. Tighten packing nut. Tighten the pipe clamp screws carefully and evenly so washer makes a watertight seal. Do not overtighten or you may crush the copper tubing, especially if soft (coiled) copper tubing is used. Now you are ready to connect the copper tubing.
6. Slip compression sleeve and compression nut on copper tubing as shown in diagram. Insert end of tubing into outlet end squarely as far as it will go. Screw compression nut onto outlet end with adjustable wrench. Do not overtighten. Turn ON main water supply and flush out tubing until water is clear. Turn OFF shut-off valve on the water pipe. Coil copper tubing.



† Some models may not feature this second compression nut and sleeve.

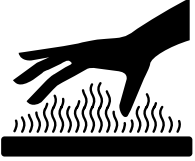
## Connecting to refrigerator

1. Disconnect the tube clamp on the back of the product and insert copper tubing through the clamp as shown at the right. Attach the copper tube to the valve inlet using a compression nut and sleeve as shown. Tighten the compression nut. Do not over-tighten. Reattach the tube clamp and tube to the back of the cabinet. Move to step 2.
2. **Turn shut-off valve ON. CHECK FOR LEAKS. TIGHTEN ANY CONNECTIONS (INCLUDING CONNECTIONS AT THE VALVE) OR NUTS THAT LEAK.**
3. The ice maker is equipped with a built-in water strainer. If local water conditions require periodic cleaning or a well is your source of water supply, a second water strainer should be installed in the 1/4-inch water line. Obtain a water strainer from your nearest appliance dealer. Install at either tube connection.
4. Reconnect electrical supply to refrigerator.



## Removing the base grille

**⚠ WARNING**



**Burn Hazard**

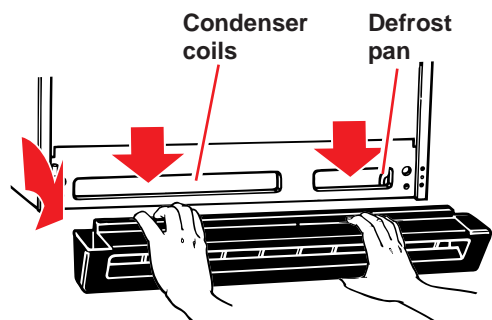
**Do not touch refrigeration tubes near defrost pan.**

**Doing so can result in burns.**

### To remove the base grille:

1. Open the refrigerator door.
2. Grasp the grille with both hands.
3. Push down on the top edge of the grille to release the top clips.
4. Roll grille toward you to release top clips.
5. Pull grille away from the refrigerator.

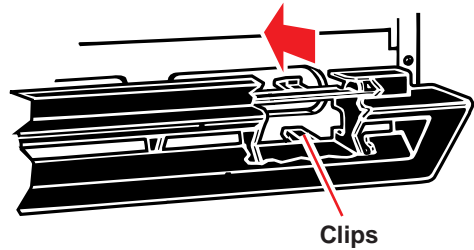
**NOTE:** Do not remove the Tech Sheet fastened behind the grille.





### To replace the base grille:

1. Line up the edges of the grille with the outside edges of the cabinet.
2. Roll the grille toward you.
3. Place the lower clips in the openings in the metal panel.
4. Roll the grille toward the cabinet until the top clips snap into place.
5. Close the refrigerator door.



See cleaning instructions for defrost pan and condenser coils on page 30.

## Changing the light bulbs

**⚠️ WARNING**

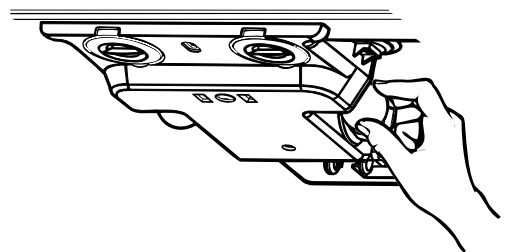


**Electrical Shock Hazard**  
**Unplug the refrigerator before removing a light bulb.**  
**Failure to do so can result in death or electrical shock.**

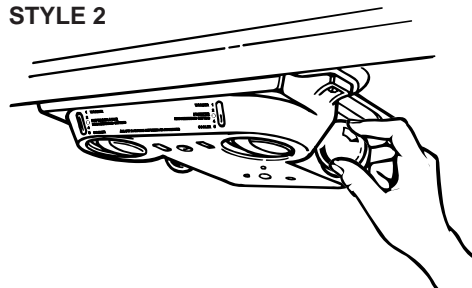
### To change refrigerator light:

1. Unplug the refrigerator.
2. Reach behind Control Panel to remove bulb.
3. Replace with a 40-watt appliance bulb.
4. Plug in the refrigerator.

STYLE 1



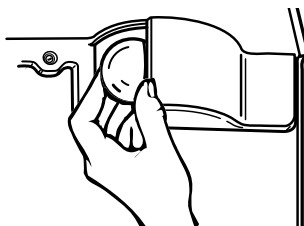
STYLE 2



### To change freezer light:

1. Unplug the refrigerator.
2. Reach behind light shield to bulb.
3. Replace bulb with a 40-watt appliance bulb.
4. Plug in the refrigerator.

**NOTE:** Not all appliance bulbs will fit your refrigerator. Be sure to replace a bulb with one of the same size and shape.



---

## Understanding the sounds you may hear

Your new refrigerator may make sounds that your old one didn't. Because the sounds are new to you, you might be concerned about them. Don't be. Most of the new sounds are normal. Hard surfaces like the floor, walls, and cabinets can make the sounds seem louder.

The following describes the kinds of sounds that might be new to you, and what may be making them.

### Slight hum, soft hiss

You may hear the refrigerator's fan motor and moving air.

### Clicking or snapping sounds

The thermostat makes a definite click when the refrigerator stops running. It also makes a sound when the refrigerator starts. The defrost timer will click when the defrost cycle starts.

### Water sounds

When the refrigerator stops running, you may hear gurgling in the tubing for a few minutes after it stops. You may also hear defrost water running into the defrost water pan.

### Ice maker sounds

- Trickling water
  - Thud (clatter of ice)
- You may hear buzzing (from the water valve), trickling water, and the clatter of ice dumped into the bin.

### Running sounds

Your refrigerator has a high-efficiency compressor and motor. It will run longer than older designs. It may even seem to run most of the time.

---

## Saving energy

You can help your refrigerator use less electricity.

- Check door gaskets for a tight seal. Level the cabinet to be sure of a good seal.
- Clean the condenser coils regularly.
- Open the door as few times as possible. Think about what you need before you open the door. Get everything out at one time. Keep food organized so you won't have to search for what you want. Close door as soon as food is removed.
- Go ahead and fill up the refrigerator, but don't overcrowd it so air movement is blocked.
- It is a waste of electricity to set the refrigerator and freezer to temperatures colder than they need to be. If ice cream is firm in the freezer and drinks are as cold as your family likes them, that's cold enough.
- Make sure your refrigerator is not next to a heat source such as a range, water heater, furnace, radiator, or in direct sunlight.

# Reversing the door swing

## TOOLS NEEDED:

5/16-inch hex-head socket wrench, No. 2 Phillips screwdriver, flat-head screwdriver, 1/2-inch open-end wrench.

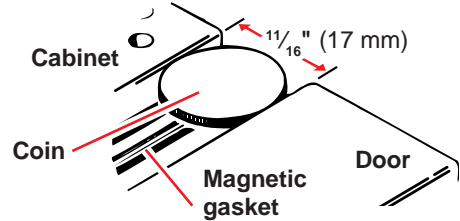
## IMPORTANT INFORMATION:

- Before you begin, turn refrigerator OFF, unplug it, and remove any food from door shelves.
- Remove base grille.
- When removing hinges, keep doors closed until ready to lift free from cabinet.
- To remove doors, start at the top hinge and work your way down.
- To remove the center hinge screws, remove the center hinge pin by turning it 1/4 to 1/2 turn. It will pop up.
- To replace doors, start at the bottom hinge and work your way up.
- Line up doors so they are centered between the sides of the cabinet **and** parallel with each other.
- Seal all unused openings with screws or plastic plugs. Moisture will enter any openings.
- Door seal may be adjusted by adding or removing shims to the center and bottom hinges.

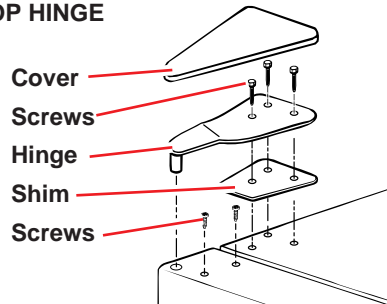
## Reversing the hinges

### NOTE:

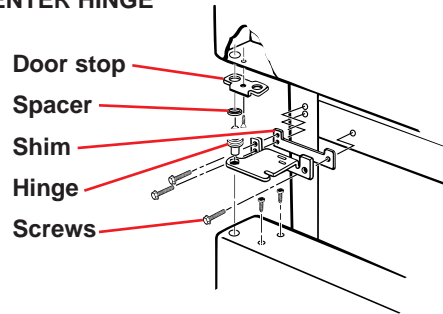
When replacing the doors, set the door gap at 1/16" (17 mm).



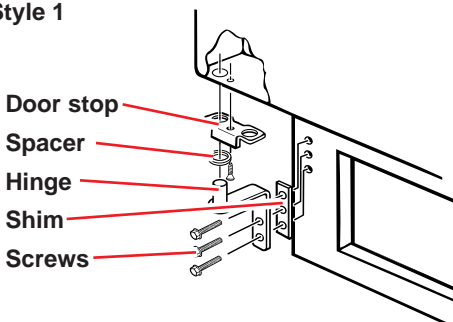
### TOP HINGE



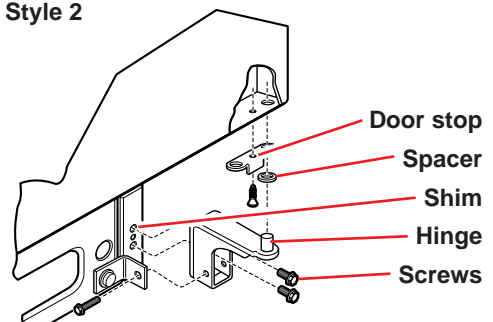
### CENTER HINGE



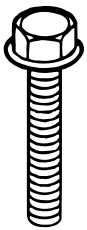
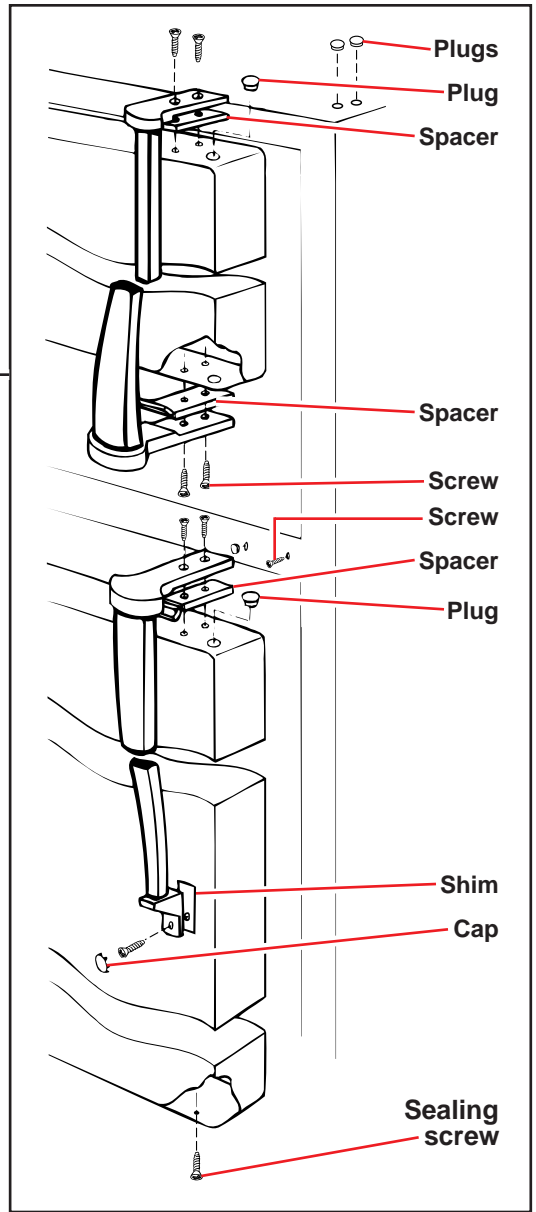
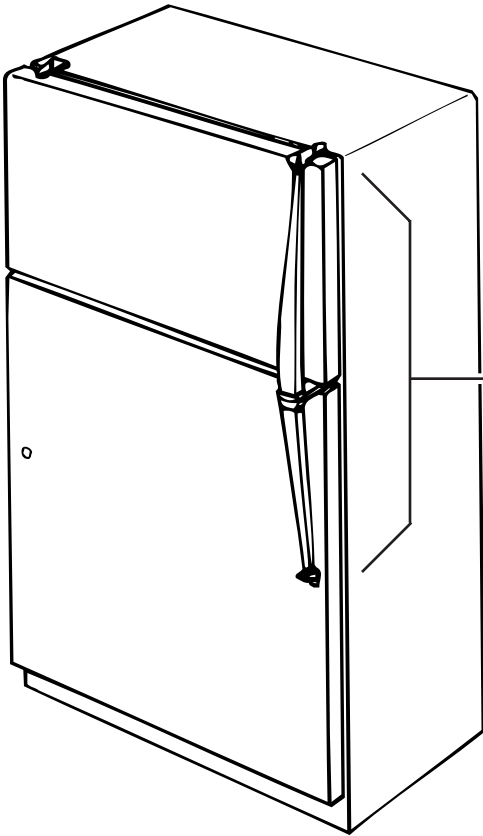
### BOTTOM HINGE Style 1



### BOTTOM HINGE Style 2



# Reversing the handles - Style 1



**5/16-inch HEX HEAD HINGE SCREW**



**COUNTERSINK SCREW**



**OVAL SEALING SCREW (USE ON BOTTOM OF DOORS)**

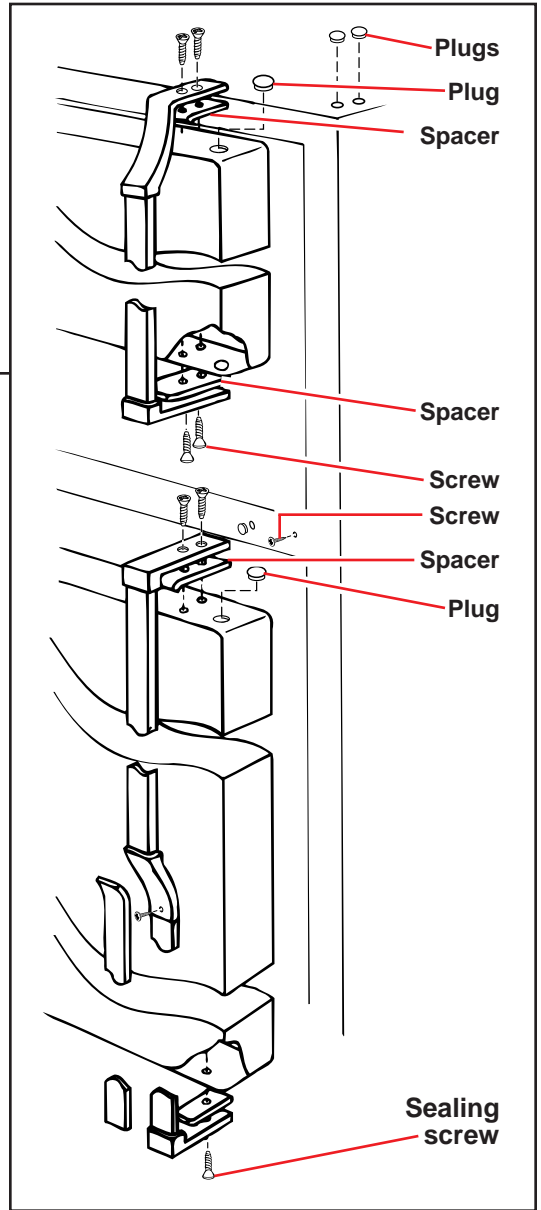
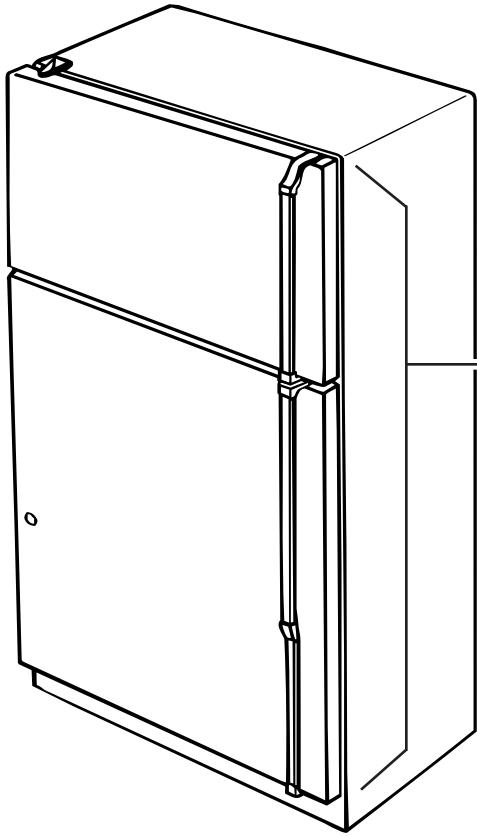


**HANDLE SCREW**

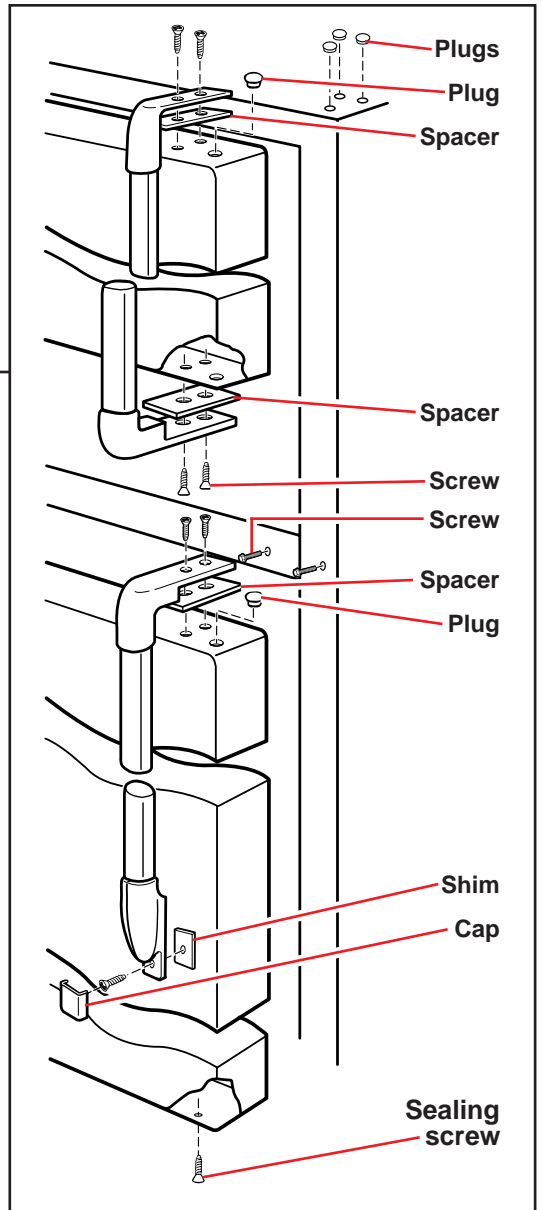
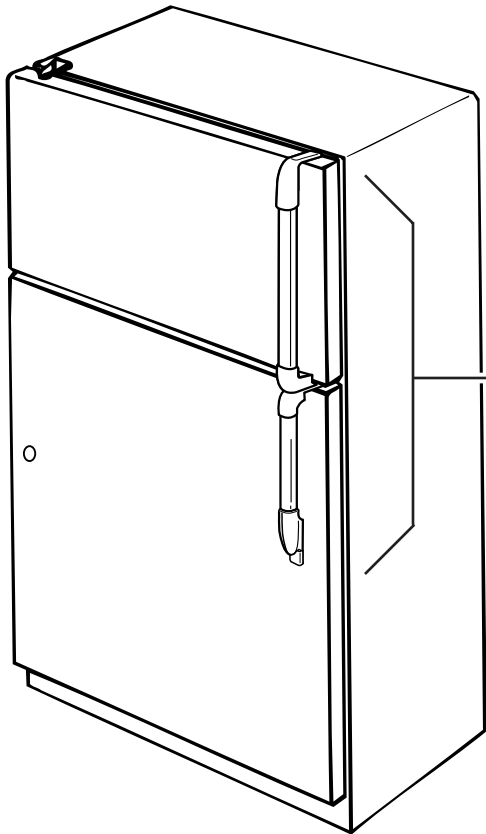


**OVAL SEALING SCREW (USE ON TOP OF DOORS)**

# Reversing the handles - Style 2



# Reversing the handles - Style 3



# Caring for Your Refrigerator

Your refrigerator is built to give you many years of dependable service. However, there are a few things you can do to help extend its product life. This section tells you how to clean your refrigerator and what to do when going on vacation, moving, or during a power outage.

## Cleaning your refrigerator

Both the refrigerator and freezer sections defrost automatically. However, clean both about once a month to help prevent odors from building up. Wipe up spills right away.



To clean your refrigerator, unplug it, take out all removable parts, and clean the refrigerator according to the following directions.

**⚠ WARNING**

**Burn Hazard**

**Do not touch refrigeration tubes near defrost pan.**

**Doing so can result in burns.**

PART	WHAT TO USE	HOW TO CLEAN
<b>Removable parts</b> (shelves, crisper, etc.)	Sponge or cloth with mild detergent and warm water	<ul style="list-style-type: none"> <li>• Hand wash and dry thoroughly.</li> </ul>
<b>Outside</b>	Sponge, cloth, or paper towel with mild detergent, warm water, and a good appliance wax (or good auto paste wax)	<ul style="list-style-type: none"> <li>• Wash outside of cabinet. Do not use abrasive or harsh cleaners.</li> <li>• Wipe and dry thoroughly.</li> <li>• Wax painted metal surfaces at least twice a year. Apply wax with a clean, soft cloth. <b>Waxing painted metal surfaces provides rust protection. Do not wax plastic parts.</b></li> </ul>
<b>Inside walls</b> (allow freezer to warm up so cloth won't stick)	Sponge, soft cloth, or paper towel with baking soda or mild detergent and warm water	<ul style="list-style-type: none"> <li>• Wash with mixture of warm water and:                             <ul style="list-style-type: none"> <li>– mild detergent, or</li> <li>– baking soda (2 tbs to 1 qt [26 g to .95 L] of water).</li> </ul> </li> <li>• Wipe and dry thoroughly.</li> </ul>
<b>Door liners and gaskets</b>	Sponge, soft cloth, or paper towel with mild detergent and warm water	<ul style="list-style-type: none"> <li>• Wipe and dry thoroughly.</li> </ul> <p><b>Do not use cleaning waxes, concentrated detergents, bleaches, or cleaners containing petroleum on plastic parts.</b></p>

continued on next page

PART	WHAT TO USE	HOW TO CLEAN
<b>Plastic parts</b> (covers and panels)	Soft, clean sponge or soft, clean cloth with mild detergent and warm water	<ul style="list-style-type: none"> <li>• Wipe, and dry thoroughly.</li> </ul> <p><b>Do not use paper towels, window sprays, scouring cleansers, or flammable fluids. These can scratch or damage material. See “Important Safety Instructions” on page 3.</b></p>
<b>Defrost pan</b>	Sponge or cloth with mild detergent and warm water	<ul style="list-style-type: none"> <li>• Remove base grille. (See page 22.)</li> <li>• Reach into small opening at right edge and remove the defrost pan.</li> <li>• Wash, rinse, and dry thoroughly.</li> <li>• Replace defrost pan. Make sure to push it completely into the opening.</li> <li>• Replace base grille. (See page 23.)</li> </ul>
<b>Condenser coils</b>	Vacuum cleaner with extended narrow attachment	<ul style="list-style-type: none"> <li>• Remove base grille. (See page 22.)</li> <li>• Vacuum coils when dusty or dirty. Coils may need to be cleaned as often as every other month.</li> <li>• Replace base grille. (See page 23.)</li> </ul>

## Holiday and moving care

### Short holidays

No need to shut off the refrigerator if you will be away for less than four weeks.

1. Use up any perishables.
2. Freeze other items.

### Long holidays

If you will be gone a month or more:

1. Remove all food from the refrigerator.
2. If your refrigerator has an automatic ice maker:
  - Turn off the water supply to the ice maker at least one day ahead of time.
  - When the last load of ice drops, turn off the ice maker. Make sure all ice is dispensed out of the ice maker mechanism.
3. Unplug the refrigerator.
4. Clean it, rinse well, and dry.
5. Tape rubber or wood blocks to the tops of both doors to prop them open far enough for air to get in. This stops odor and mold from building up.

To restart refrigerator, see “Using Your Refrigerator” on page 9.

### Moving

When you are moving the refrigerator to a new home:

1. If your refrigerator has an automatic ice maker:
  - Turn off the water supply to the ice maker at least one day ahead of time.
  - Disconnect the water line.
  - After the last load of ice drops, lift the signal arm to the OFF (up) position.
2. Remove all food from the refrigerator.
3. Pack all frozen food in dry ice.
4. Unplug the refrigerator.
5. Clean it thoroughly. Rinse well and dry.
6. Take out all removable parts, wrap them well, and tape them together so they don't shift and rattle.
7. Screw in the leveling rollers.
8. Tape the doors shut and tape the power supply cord to the cabinet.

When you get to your new home, put everything back and refer to page 6. Also, remember to reconnect the water supply line.



---

## Power interruptions

If electricity goes off, call the power company. Ask how long power will be off.

1. If service will be interrupted 24 hours or less, **keep both doors closed**. This helps foods stay frozen.
2. If service will be interrupted longer than 24 hours:
  - (a) Remove all frozen food and store in a frozen food locker.

**OR**

- (b) Place 32 grams of dry ice in freezer for every cubic liter (2 lbs. for every cubic foot) of freezer space. This will keep food frozen for 2 to 4 days. Wear gloves to protect your hands from dry ice burns.

**OR**

- (c) If neither a food locker or dry ice is available, use or can perishable food at once.

3. A full freezer stays cold longer than a partly filled one. A freezer full of meat stays cold longer than a freezer full of baked goods. If food contains ice crystals, it may be safely refrozen, although the quality and flavor may be affected. If the condition of the food is poor, or if you feel it is unsafe, dispose of it.



# Food Storage Guide

There is a correct way to package and store refrigerated or frozen food. To keep food fresher, longer, take the time to study these recommended steps.

## Storing fresh food

Wrap or store food in the refrigerator in airtight and moisture-proof material. This prevents food odor and taste transfer throughout the refrigerator. For dated products, check code date to ensure freshness.

### Leafy vegetables

Remove store wrapping and trim or tear off bruised and discolored areas. Wash in cold water and drain. Place in plastic bag or plastic container and store in crisper.

### Vegetables with skins

(carrots, peppers)

Store in crisper, plastic bags, or plastic container.

### Fruit

Wash, let dry, and store in refrigerator in plastic bags or crisper. Do not wash or hull berries until they are ready to use. Sort and keep berries in original container in a crisper, or store in a loosely closed paper bag on a refrigerator shelf.

### Eggs

Store without washing in original carton on interior shelf. On some models, an egg storage container is provided for your convenience.

### Milk

Wipe milk cartons. For best storage, place milk on interior shelf.

### Butter or margarine

Keep opened butter in covered dish or closed compartment. When storing an extra supply, wrap in freezer packaging and freeze.

### Cheese

Store in the original wrapping until you are ready to use it. Once opened, rewrap tightly in plastic wrap or aluminum foil.

### Leftovers

Cover leftovers with plastic wrap or aluminum foil. Plastic containers with tight lids can also be used.

### Meat

Store most meat in original wrapping as long as it is airtight and moisture-proof. Rewrap if necessary. See the following for storage times. When storing meat longer than the times given, freeze the meat.

Chicken .....	1-2 days
Bacon .....	5-7 days
Ground beef .....	1-2 days
Cold cuts .....	3-5 days
Steaks/roasts .....	3-5 days
Variety meats .....	1-2 days
Cured meats.....	7-10 days

**NOTE:** Use fresh fish and shellfish the same day as purchased.

---

## Storing frozen food

The freezer section is designed for storage of commercially frozen food and for freezing food at home.

**NOTE:** For further information about preparing food for freezing or food storage times, check a freezer guide or reliable cookbook.

### Packaging

The secret of successful freezing is in the packaging. The way you close and seal the package must not allow air or moisture in or out. Packaging done in any other way could cause food odor and taste transfer throughout the refrigerator and drying of frozen food.

#### **Packaging recommended for use:**

- Rigid plastic containers with tight-fitting lids
- Straight-sided canning/freezing jars
- Heavy-duty aluminum foil
- Plastic-coated paper
- Non-permeable plastic wraps (made from a saran film)

Follow package or container instructions for proper freezing methods.

#### **Do not use:**

- Bread wrappers
- Non-polyethylene plastic containers
- Containers without tight lids
- Waxed paper
- Wax-coated freezer wrap
- Thin, semi-permeable wrap

The use of these wrappings could cause food odor, taste transfer, and drying of frozen food.

### Freezing

Do not expect your freezer to quick-freeze any large quantity of food. Put no more unfrozen food into the freezer than will freeze within 24 hours (no more than 32 to 48 grams of food per liter [2 to 3 lbs. per cubic foot] of freezer space). Leave enough space for air to circulate around packages. Be careful to leave enough room at the front so the door can close tightly.

Storage times will vary according to the quality of the food, the type of packaging or wrap used (airtight and moisture-proof), and the storage temperature, which should be 0°F (-17.8°C).

# Troubleshooting

Listed in this chart are the most common problems consumers run into with their appliances. Please read through this and see if it can solve your problem.

PROBLEM	CHECK THE FOLLOWING
<b>Your refrigerator will not operate</b>	Is the power supply cord firmly plugged into a live circuit with proper voltage? Has a household fuse or circuit breaker blown/tripped? Is the Refrigerator Control set to the OFF position?
<b>The lights do not work</b>	Is the power supply cord firmly plugged into a live circuit with proper voltage? Has a household fuse or circuit breaker blown/tripped? Is a bulb burned out?
<b>You hear unfamiliar sounds or a rattling/jingling noise</b>	Is something on top of or behind the refrigerator? Some new sounds are normal. See "Understanding the sounds you may hear" on page 24.
<b>There is water in the defrost pan</b>	This is normal on hot, muggy days. Make sure the refrigerator is level so the pan does not overflow.
<b>The motor seems to run too much</b>	Are the condenser coils dirty? Has the door been open often? Has a large amount of food been added at one time? The motor naturally runs longer in these cases. Is the room hot? If the room is too warm, the motor runs longer to keep the unit cool.

## Requesting Service

1. If the problem is not due to one of the items listed in Troubleshooting ...

Contact the dealer from whom you purchased the unit or an authorized Whirlpool service company.

**† When asking for help or service:**

Please provide a detailed description of the problem, your appliance's complete model and serial numbers, and the purchase date. (See page 2.) This information will help us respond properly to your request.

2. If you need FSP\* replacement parts† ...

FSP is a registered trademark of Whirlpool Corporation for quality parts. Look for this symbol of quality whenever you need a replacement part for your WHIRLPOOL\* appliance. FSP replacement parts will fit right and work right because they are made to the same exacting specifications used to build every new WHIRLPOOL appliance.

To locate FSP replacement parts in your area, contact the dealer from whom you purchased the unit or an authorized Whirlpool\* service company.

# WHIRLPOOL\* Refrigerator Warranty

LENGTH OF WARRANTY	WHIRLPOOL WILL PAY FOR
<b>FULL ONE-YEAR WARRANTY</b> FROM DATE OF PURCHASE	FSP* replacement parts and repair labor to correct defects in materials or workmanship. Service must be provided by an authorized Whirlpool service company.
<b>FULL FIVE-YEAR WARRANTY</b> FROM DATE OF PURCHASE	FSP replacement parts and repair labor to correct defects in materials or workmanship in the sealed refrigeration system. These parts are: <ol style="list-style-type: none"> <li>1. Compressor</li> <li>2. Evaporator</li> <li>3. Condenser</li> <li>4. Drier</li> <li>5. Connecting tubing</li> </ol> Service must be provided by an authorized Whirlpool service company.
WHIRLPOOL WILL NOT PAY FOR	
<p><b>A.</b> Service calls to:</p> <ol style="list-style-type: none"> <li>1. Correct the installation of your refrigerator.</li> <li>2. Instruct you how to use your refrigerator.</li> <li>3. Replace house fuses or correct house wiring or plumbing.</li> <li>4. Replace light bulbs.</li> </ol> <p><b>B.</b> Repairs when your refrigerator is used in other than normal, single-family household use.</p> <p><b>C.</b> Pickup and delivery. Your refrigerator is designed to be repaired in the home.</p> <p><b>D.</b> Damage to your refrigerator caused by accident, misuse, fire, flood, acts of God, or use of products not approved by Whirlpool.</p> <p><b>E.</b> Any food loss due to product failure.</p> <p><b>F.</b> Repairs to parts or systems caused by unauthorized modifications made to the appliance.</p>	

9/96

**WHIRLPOOL CORPORATION SHALL NOT BE LIABLE FOR INCIDENTAL OR CONSEQUENTIAL DAMAGES.** Some states do not allow the exclusion or limitation of incidental or consequential damages, so this exclusion or limitation may not apply to you. This warranty gives you specific legal rights, and you may also have other rights which vary from state to state.

**Outside the United States, a different warranty may apply. For details, please contact your authorized Whirlpool dealer.**

If you need service, first see the "Troubleshooting" section of this book. After checking "Troubleshooting," additional help can be found by checking the "Requesting Assistance or Service" section.

# Notes



# Contenido

	Page		Page
<b>Un Mensaje para Usted</b> .....	<b>2</b>	Cómo ajustar el anaquel del congelador .....	<b>20</b>
<b>Seguridad</b> .....	<b>3 y 4</b>	Cómo ajustar el anaquel de dimensiones pequeñas del congelador .....	<b>20</b>
<b>Piezas y Características</b> .....	<b>5</b>	Cómo quitar la base removible del congelador .....	<b>21</b>
<b>Antes de Usar el Refrigerador</b> .....	<b>7</b>	Cómo usar las cubetas para hielo .....	<b>21</b>
<b>Cómo Usar el Refrigerador</b> .....	<b>10</b>	Cómo usar la máquina de hacer hielo (opcional) .....	<b>22</b>
Controles .....	<b>10</b>	Conexión de la máquina de hacer hielo (opcional) al suministro de agua .....	<b>23</b>
Ajuste de los controles.....	<b>11</b>	Cómo sacar la rejilla de la base.....	<b>26</b>
Cómo sacar los bordes decorativos deslizables de la puerta .....	<b>12</b>	Cómo cambiar las bombillas.....	<b>27</b>
Cómo sacar los bordes decorativos removibles de la puerta .....	<b>12</b>	Cómo interpretar los sonidos que se escuchan .....	<b>28</b>
Cómo sacar los anaqueles removibles de la puerta .....	<b>13</b>	Cómo ahorrar energía .....	<b>28</b>
Cómo ajustar los anaqueles de la puerta .....	<b>13</b>	Cómo invertir el lado de apertura de las puertas .....	<b>29</b>
Cómo ajustar el compartimiento multiusos y la bandeja .....	<b>13</b>	<b>Cuidados con el Refrigerador</b> .....	<b>33</b>
Cómo quitar los anaqueles del refrigerador .....	<b>14</b>	<b>Guía de Almacenamiento de Alimentos</b> .....	<b>36</b>
Como ajustar el anaquel EZ-TRACK* del refrigerador .....	<b>15</b>	<b>Cómo Solucionar Problemas</b> .....	<b>38</b>
Cómo sacar la gaveta para carnes y la cubierta .....	<b>16</b>	<b>Si Necesita Ayuda</b> .....	<b>39</b>
Cómo sacar las gavetas para verduras y la cubierta .....	<b>18</b>	<b>Garantía</b> .....	<b>40</b>
Cómo ajustar el control de humedad de las gavetas para verduras .....	<b>18</b>		
Cómo ajustar el riel de la cubierta de la gaveta para verduras .....	<b>19</b>		

# Un Mensaje para Usted

## Gracias por comprar este producto WHIRLPOOL\*.

Usted acaba de comprar un aparato electrodoméstico reconocido internacionalmente, en el cual años de experiencia se han puesto en su fabricación. Para asegurarnos de que usted pueda disfrutar muchos años de servicio, hemos incluido este manual de uso y cuidado, el cual está lleno de valiosa información acerca de como operar y mantener su electrodoméstico de la forma más apropiada y segura. Léalo cuidadosamente.

## Ayuda cuando usted la necesita.

Si usted tiene alguna pregunta acerca de la operación de su electrodoméstico, o si necesita mantenimiento vea primero "Si Necesita Ayuda" en la página 39. Si necesita contactar al concesionario o a una compañía de mantenimiento Whirlpool usted debe tener a mano el modelo y el número de serie. Esta información puede encontrarse en el rótulo con el modelo y número de serie (ver el diagrama de las páginas 5 y 6).

Para su conveniencia, se ha incluido un espacio donde puede anotar estos números, la fecha de compra y el nombre y el número de teléfono de su concesionario. **Mantenga juntos este manual y el recibo de compra.**

Modelo número \_\_\_\_\_

Nombre del concesionario \_\_\_\_\_

Número de serie \_\_\_\_\_

Número de teléfono del  
concesionario \_\_\_\_\_

Fecha de compra \_\_\_\_\_



# Seguridad

Su seguridad es importante para nosotros.

Este manual contiene avisos y símbolos de seguridad. Por favor dé una atención especial a estos símbolos y siga todas las instrucciones. Aquí es una breve explicación del uso del símbolo.



Este símbolo le llamará la atención para evitar peligros como incendio, choque eléctrico u otras lesiones.

## INSTRUCCIONES IMPORTANTES DE SEGURIDAD

### ADVERTENCIA

**Para reducir el riesgo de incendio, choque eléctrico o lesión cuando use su refrigerador, siga estas precauciones básicas:**

- Lea todas las instrucciones antes de usar el refrigerador.
- Nunca permita que los niños hagan funcionar, jueguen o se escondan en el interior del refrigerador.
- Nunca limpie las piezas del refrigerador con líquidos inflamables. Los vapores pueden causar incendios o explosiones.

• PARA SU SEGURIDAD •

NO ALMACENE O USE GASOLINA NI LIQUIDOS INFLAMABLES EN LA PROXIMIDAD DE ESTE O DE CUALQUIER OTRO APARATO. EXISTE EL PELIGRO DE QUE LOS VAPORES CAUSEN UN INCENDIO O UNA EXPLOSION.

**– CONSERVE ESTAS INSTRUCCIONES –**

# Cómo deshacerse debidamente de su refrigerador viejo

## ⚠️ ADVERTENCIA

### Peligro de Sofocación

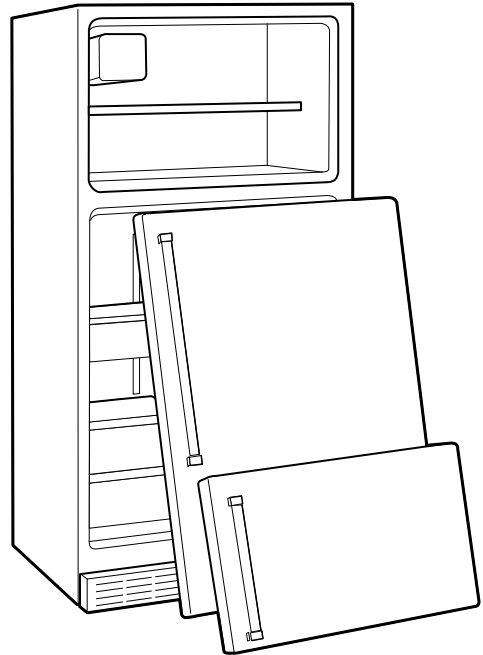
Remueva las puertas de su refrigerador viejo.

No seguir esta instrucción puede ocasionar la muerte o daño al cerebro.

**IMPORTANTE:** El problema de los niños que se quedan atrapados dentro de un refrigerador y se asfixian no es cosa del pasado. Los refrigeradores abandonados siguen siendo un peligro ... aunque estén allí "sólo por unos días". Si desea deshacerse de su refrigerador viejo, siga por favor las siguientes instrucciones para ayudar a evitar accidentes.

### ANTES DE DESHACERSE DE SU VIEJO REFRIGERADOR O CONGELADOR:

- Quite las puertas.
- Deje los anaqueles adentro para evitar que los niños se introduzcan con facilidad.

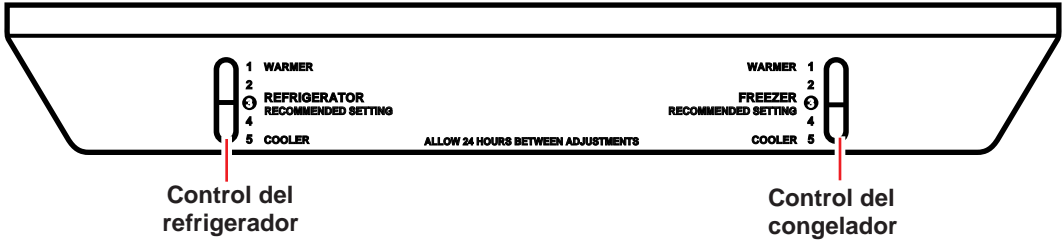


# Piezas y Características

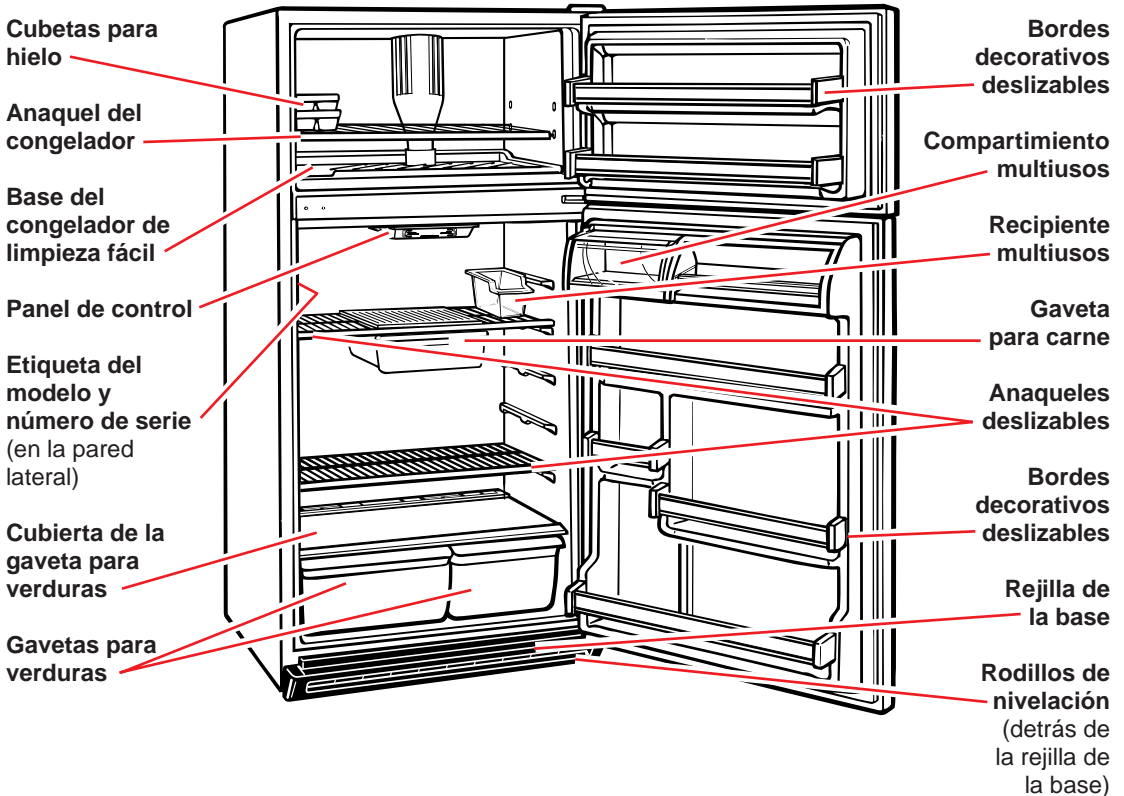
Esta sección contiene la ilustración de su electrodoméstico con los nombres de sus diferentes piezas. Familiarícese con ellas para saber ubicarlas y reconocerlas.

## Paneles de control

### MODELO 1



### MODELO 2



Cubetas y recipiente para hielo

Anaqueles del congelador

Base del congelador de limpieza fácil

Panel de control

Etiqueta del modelo y número de serie (en la pared lateral)

Gaveta para carne

Cubierta de la gaveta para verduras

Rodillos de nivelación (detrás de la rejilla de la base)

Cubetas y estante para hielo

Recipiente para hielo

Anaqueles del congelador

Fondo removible del congelador

Anaqueles de vidrio EZ-TRACK\* SPILLGUARD\*

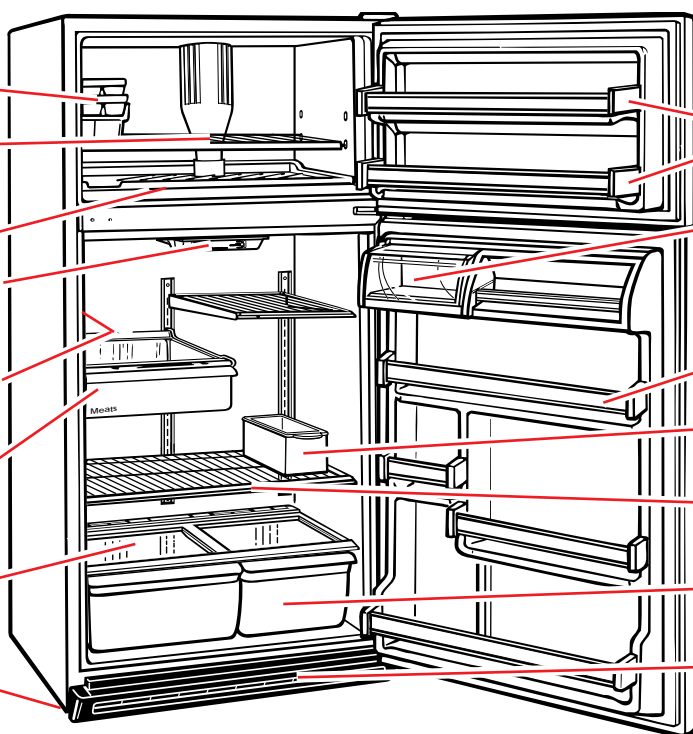
Etiqueta del modelo y número de serie

Gaveta para carne

Cubierta de la gaveta para verduras

Gaveta para verduras con control de humedad

Rodillos de nivelación (detrás de la rejilla de la base)



Bordes decorativos deslizables

Compartimiento multiusos

Bordes decorativos deslizables

Recipiente para huevos

Parrillas ajustables

Gavetas para verduras

Rejilla de la base

Bombilla del congelador

Anaqueles de medio ancho ajustable del congelador

Bordes decorativos deslizables

Panel de control  
Compartimiento multiusos deslizante

Bandeja deslizante

Recipiente para huevos

Anaqueles ajustables en la puerta

Anaqueles de vidrio SPILLGUARD

Anaqueles no ajustables

# Antes de Usar el Refrigerador

Es importante preparar el refrigerador antes de usarlo. Esta sección le explica cómo limpiarlo, conectarlo, instalarlo y nivelarlo. Para información acerca de cómo conectar el fabricante de hielo al suministro de agua, vea la página 23, o para información acerca de cómo cambiar la abertura de la puerta, vea la página 29.

## Limpeza

Remueva los materiales del paquete

Remueva la cinta adhesiva y las etiquetas (excepto el rótulo con el modelo y el número de serie) antes de usar el refrigerador.

**Para remover la goma que quede en la superficie:**

- Frote fuertemente con el pulgar para recogerla y luego remuévala.
- O**
- Remoje el área con agua y jabón para lavar platos antes de remover la goma como se describió anteriormente. No use instrumentos punzantes, alcohol, líquidos inflamables, o limpiadores abrasivos pues puedan dañar el acabado. Ver arriba "Instrucciones Importantes de Seguridad" en la página 3.

**NOTA:** No saque los rótulos con instrucciones que estén adheridos al refrigerador; ni tampoco saque el folleto técnico que se encuentra asegurado a la parte inferior del frente del refrigerador.

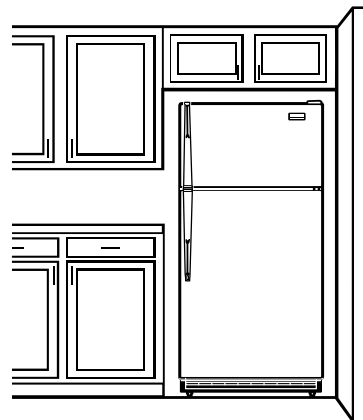
Limpeza antes de usarlo

Si es necesario, limpie el refrigerador antes de usarlo. Ver instrucciones páginas 33 y 34.




## Instalación

1. Deje 1,25 cm (media pulgada) de espacio a cada lado y en la pieza de arriba del refrigerador para facilitar la instalación.
2. Si la bisagra del refrigerador queda contra la pared, deje espacio extra entre la bisagra y la pared para que la puerta pueda abrirse más.
3. El refrigerador puede estar directamente contra la pared.



# Enchufe

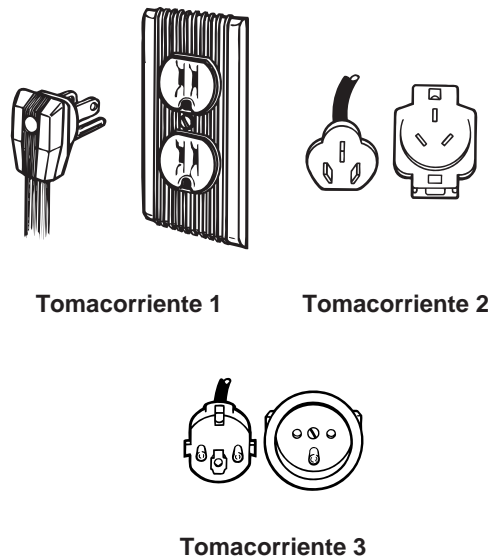
**! ADVERTENCIA**



**Peligro de Choque Eléctrico**  
**Conecte a un enchufe de pared de conexión a tierra de tres terminales.**  
**No retire el terminal de conexión a tierra.**  
**No utilice un adaptador.**  
**No utilice un cable eléctrico de extensión.**  
**No seguir estas instrucciones puede ocasionar la muerte, incendio, o choque eléctrico.**

## Método recomendado de conexión a tierra

Enchufe a 115 Voltios/60 Hertz (Tomacorriente 1) 220/240 Voltios/50 Hertz (Tomacorriente 2) o 220 Voltios/60 Hertz (Tomacorriente 3) AC con fusibles de 15 ó 20 amperios con conexión a tierra. Se recomienda el uso de un disyuntor separado para este electrodoméstico. Use un enchufe que no puede ser activado o desactivado por medio de un interruptor. No use cables de extensión eléctrica. Verifique que la instalación eléctrica del refrigerador llene los requisitos y códigos de su localidad.



# Nivelación

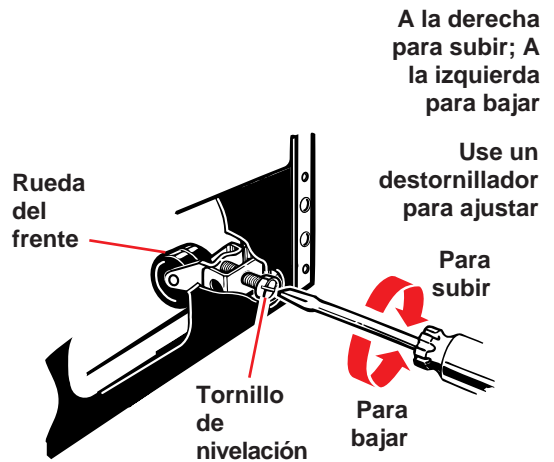
**! ADVERTENCIA**



**Peligro de Quemaduras**  
No toque los tubos de refrigeración cerca de la bandeja de descongelación.  
No seguir esta instrucción puede ocasionar quemaduras.

Su refrigerador tiene 2 tornillos delanteros de nivelación; uno a la derecha y uno a la izquierda. Para ajustar uno o ambos siga estas instrucciones.

1. Saque la rejilla. (Ver página 26.)
2. Para subir el frente gire el tornillo en la dirección de las manecillas de un reloj.
3. Para bajar el frente gire el tornillo en dirección opuesta a las manecillas de un reloj.
4. Verifique con un nivelador.
5. Ponga la rejilla en su lugar. (Ver página 26.)



# Cómo Usar el Refrigerador

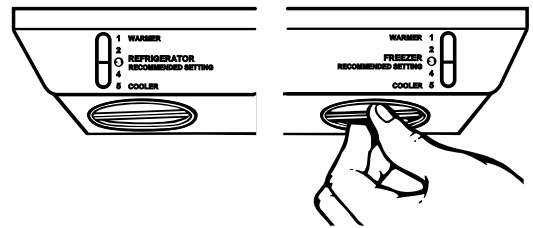
Para obtener los mejores resultados de su refrigerador, es indispensable que lo opere de la manera indicada. Esta sección le explicará como ajustar los controles, como sacar y ajustar las piezas del refrigerador y como ahorrar energía.

## Controles

Los controles del refrigerador y el congelador están en el refrigerador. Cuando se conecte el refrigerador por primera vez:

**1. Ponga el control del refrigerador en 3 (puesta recomendada).** Los controles del refrigerador van del 1 (menos frío) al 5 (más frío).

MODELO 1



**2. Ponga el control del congelador en 3 (puesta recomendada).** Los controles del refrigerador van del 1 (menos frío) al 5 (más frío).

MODELO 2



**3. Déle tiempo al refrigerador para enfriarse completamente antes de poner alimentos en él.** Su enfriamiento puede tomar varias horas.

Las graduaciones sugeridas anteriormente, son para uso normal casero. Los controles están ajustados correctamente cuando la leche y los jugos estén tan fríos como a usted le gusten y cuando el helado se ponga firme. Si usted tiene que ajustar los controles, ver "Ajuste de los controles" página 11.



## Ajuste de los controles

Si tiene que ajustar la temperatura del refrigerador o el congelador use como guía las graduaciones del siguiente esquema.

- Primero ajuste el control del refrigerador.
- Espere por lo menos 24 horas antes de ajustar la temperatura nuevamente.
- Luego, si es necesario, ajuste el control del congelador.

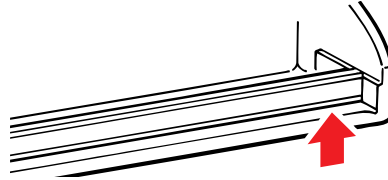
CONDICIONES:	RAZONES:	GRADUACIONES RECOMENDADAS:	
		Refrigerador	Congelador
<b>Sección del refrigerador no está lo suficientemente fría</b>	<ul style="list-style-type: none"> <li>• Las puertas se abren frecuentemente</li> <li>• Se agregó demasiada comida</li> <li>• La temperatura de la habitación está demasiado alta.</li> </ul>	<b>4</b>	<b>2</b>
<b>Sección del congelador no está lo suficientemente fría</b>	<ul style="list-style-type: none"> <li>• Las puertas se abren frecuentemente</li> <li>• Se agregó demasiada comida</li> <li>• La temperatura de la habitación está bastante baja (impide el cambio apropiado de ciclo)</li> </ul>	<b>3</b>	<b>4</b>
<b>Sección del refrigerador está demasiado fría</b>	<ul style="list-style-type: none"> <li>• La graduación está incorrecta para las condiciones</li> </ul>	<b>2</b>	<b>4</b>
<b>El hielo no se forma rápidamente</b>	<ul style="list-style-type: none"> <li>• La temperatura de la habitación está demasiado baja (impide el cambio apropiado de ciclo)</li> <li>• Continuo uso de hielo</li> </ul>	<b>4</b>	<b>4</b>
<b>Ambas secciones no están lo suficientemente frías</b>	<ul style="list-style-type: none"> <li>• Las puertas se abren frecuentemente</li> <li>• Se agregó demasiada comida</li> <li>• La temperatura de la habitación está demasiado alta o demasiado baja</li> </ul>	<b>4</b>	<b>4</b>

---

## Cómo sacar los bordes decorativos deslizables de la puerta (en algunos modelos)

### Para sacar el borde decorativo:

1. Saque todos los artículos del anaquel.
2. Tire hacia arriba el borde decorativo en cada extremo.



### Para volver a colocar el borde decorativo:

1. Ubique cada extremo del borde decorativo sobre la abertura en la cavidad.
2. Presione el borde hacia abajo hasta que se detenga.
3. Vuelva a colocar los artículos en el anaquel.

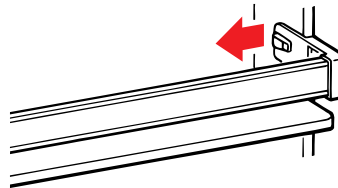


---

## Cómo sacar los bordes decorativos removibles de la puerta

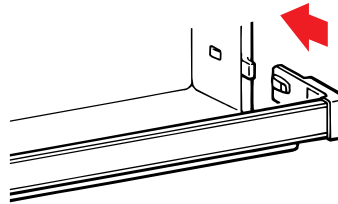
### Para sacar el borde decorativo:

1. Saque todos los artículos del anaquel.
2. Tire de la aleta interior en cada extremo del borde decorativo.
3. Levante el borde hacia afuera.



### Para volver a colocar el borde decorativa:

1. Alinee los extremos del borde decorativo con el botón en la pared del revestimiento de la puerta.
2. Empuje el borde directamente hacia atrás hasta que encaje firmemente en su lugar.
3. Vuelva a colocar los artículos en el anaquel.



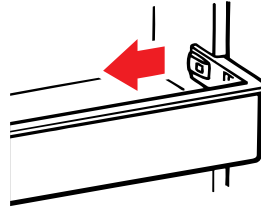
---

## Cómo sacar los anaqueles removibles de la puerta

(en modelos seleccionados)

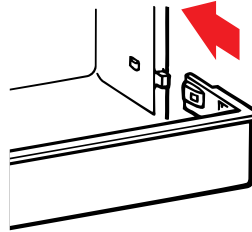
### Para sacar el anaquel:

1. Saque todos los artículos del anaquel.
2. Tire de la aleta interior en cada extremo del anaquel.
3. Levante el anaquel hacia afuera.



### Para volver a colocar la pieza de apoyo:

1. Alinee los extremos del anaquel con el botón en la pared del revestimiento de la puerta.
2. Empuje el anaquel directamente hacia atrás hasta que encaje firmemente en su lugar.
3. Vuelva a colocar los artículos en el anaquel.



---

## Cómo ajustar los anaqueles de la puerta

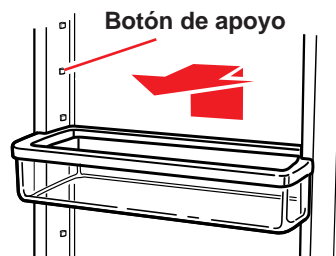
(en modelos seleccionados)

### Cómo sacar los anaqueles de la puerta:

1. Levante el anaquel.
2. Retire el anaquel tirando en dirección suya.

### Cómo colocar los anaqueles en la puerta:

1. Deslice el anaquel sobre el botón de apoyo deseado.
2. Presione hacia abajo hasta que se detenga.

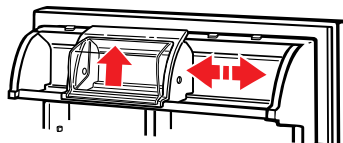


---

## Cómo ajustar el compartimiento multiusos y la bandeja

(en modelos seleccionados)

El compartimiento multiusos y la bandeja se deslizan de un lado al otro dando flexibilidad de almacenamiento. La bandeja cabe en ambos lados del compartimiento multiusos o parcialmente bajo de él. Pruebe varios lugares y elija el que más le convenga.



### Cómo ajustar el compartimiento multiusos o la bandeja:

1. Levante el frente levemente.
2. Deslice a la posición deseada.
3. Baje el frente para fijarlo en su lugar.

# Cómo quitar los anaqueles del refrigerador

Ajuste los anaqueles para que queden de acuerdo al uso que le dará al refrigerador. Los anaqueles de vidrio son lo suficientemente fuertes para soportar botellas, leche y otros artículos alimenticios pesados.

## Anaqueles de ménsula

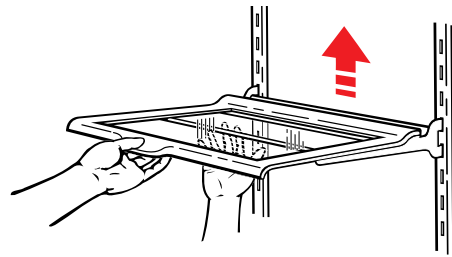
### Cómo sacar el anaquel:

1. Retire los artículos sobre el anaquel.
2. Inclíne el frente del anaquel hacia arriba.
3. Levante la parte posterior del anaquel.
4. Retire el anaquel tirando hacia usted.

### Cómo volver a colocar el anaquel:

1. Dirija los ganchos posteriores hasta colocarlos en las ranuras en los soportes para anaqueles que se encuentran en la pared posterior.
2. Inclíne la parte delantera del anaquel hacia arriba hasta que los ganchos entren en las ranuras.
3. Vuelva a poner la parte delantera del anaquel a nivel.

## MODELO 1



**NOTA:** Los anaqueles de vidrio son pesados. Manéjelos con cuidado.

## Anaqueles que se deslizan

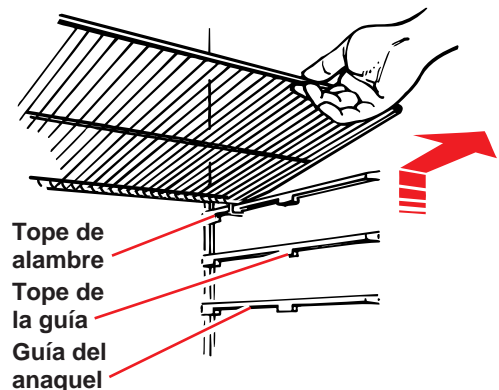
### Para sacar los anaqueles:

1. Saque todos los artículos del anaquel.
2. Deslice el anaquel hacia afuera hasta el tope.
3. Levante el frente levemente.
4. Deslice el anaquel hacia afuera el resto del recorrido.

### Para volver a colocar los anaqueles:

1. Coloque el anaquel encima de la guía con los tope de alambre debajo de la guía.
2. Levante el frente.
3. Deslice el anaquel hacia adentro hasta salvar todos los tope.

## MODELO 2



# Cómo ajustar el anaquel EZ-TRACK\* del refrigerador

(en modelos seleccionados)

El anaquel EZ-TRACK se desliza de un lado al otro dando flexibilidad de almacenamiento en su refrigerador.

## Cómo deslizar el anaquel de un lado a otro:

1. Levante ligeramente la parte delantera del anaquel.
2. Deslice a la ubicación deseada.
3. Vuelva a colocar la parte delantera del anaquel a nivel.

**NOTA:** No tendrá que retirar los artículos pequeños que estén sobre el anaquel antes de moverlo de un lado al otro. Tal vez convenga quitar artículos más grandes.

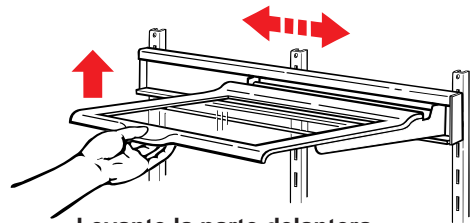
## Cómo sacar el anaquel:

1. Retire todos los artículos que estén sobre el anaquel.
2. Soporte la parte posterior del anaquel con una mano.
3. Inclíne la parte delantera del anaquel a un ángulo de 45°.
4. Haga descender ligeramente el anaquel para soltarlo del canal superior de la guía. Luego retire el anaquel hacia afuera manteniéndolo a nivel.

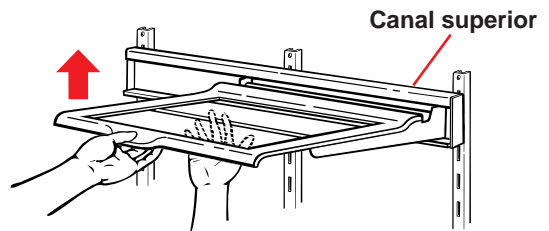
**NOTA:** El anaquel es muy pesado. Asegúrese de utilizar ambas manos cuando lo saque.

## Cómo quitar la guía del anaquel:

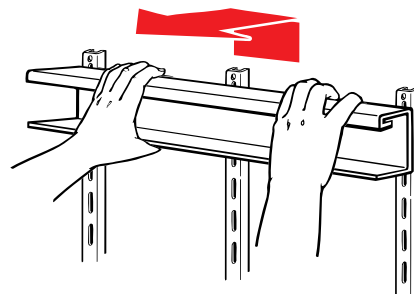
1. Levante ligeramente ambos lados de la guía.
2. Saque la guía hacia afuera manteniéndola a nivel.



Levante la parte delantera ligeramente y deslice a la nueva posición.



Sopórtelo con ambas manos y levante la parte delantera hasta un ángulo de 45°



Detenga ambos lados y levante hacia arriba y hacia afuera.

### Cómo volver a colocar la guía del anaquel:

1. Dirija los ganchos de la guía hasta colocarlos en las ranuras de soporte del anaquel en la pared posterior del aparato.

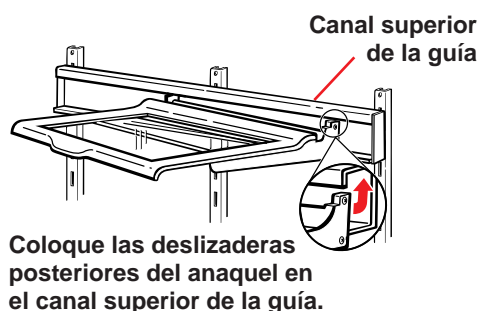
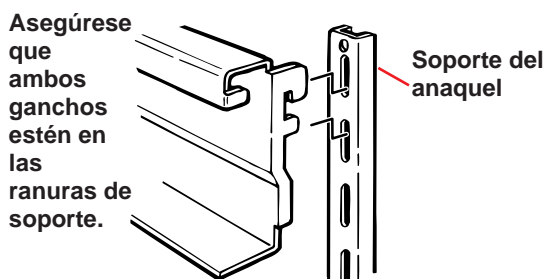
**NOTA:** Asegúrese de que los tres ganchos de la guía entren en las ranuras y que éstas estén paralelas.

2. Empuje la guía hacia atrás y hacia abajo.
3. Asegúrese de que la guía esté totalmente asentada en los soportes del anaquel.

### Cómo volver a instalar el anaquel:

1. Soporte las partes delantera y trasera del anaquel.
2. Incline la parte delantera del anaquel hasta un ángulo de 45° a la guía.
3. Coloque las dos deslizaderas posteriores del anaquel en el canal superior de la guía.
4. Vuelva a poner la parte delantera del anaquel a nivel.

**NOTA:** Asegúrese de que las dos deslizaderas posteriores del anaquel se encuentren bien colocadas en la guía antes de soltar el anaquel.



## Cómo sacar la gaveta para carnes y la cubierta

### Modelo 1

#### Cómo sacar la gaveta para carnes:

1. Deslice la gaveta para carnes hasta el tope.
2. Levante la parte delantera de la gaveta para carnes y deslice la gaveta hacia el frente hasta el final.
3. Vuelva a colocarla siguiendo el orden inverso.

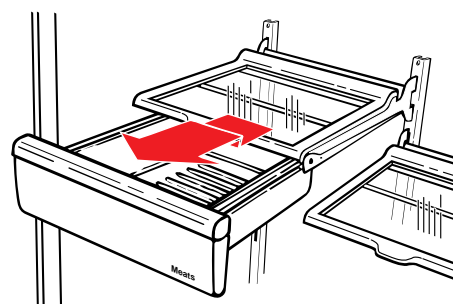
#### Cómo ajustar la posición de la cubierta:

1. Levante el frente de la cubierta.
2. Levante la parte trasera de la cubierta.
3. Retire la cubierta tirando en dirección suya.

#### Cómo colocar la cubierta:

1. Dirija los ganchos posteriores de la cubierta hasta que entren en las ranuras de los soportes del anaquel en la pared del aparato.
2. Incline la parte delantera de la cubierta hasta que los ganchos entren en las ranuras.
3. Vuelva a colocar la cubierta a nivel.

### MODELO 1



Tire hacia fuera hasta llegar al tope, levante la parte delantera y vuelva a tirar de la gaveta.

## Modelo 2

Saque la gaveta para carnes y la cubierta para facilitar la limpieza.

### Para sacar la gaveta para carnes:

1. Deslice la gaveta para carnes hacia afuera hasta el tope.
2. Levante el frente de la gaveta.
3. Deslice la gaveta hacia afuera el resto del recorrido.
4. Colóquela nuevamente invirtiendo el orden.

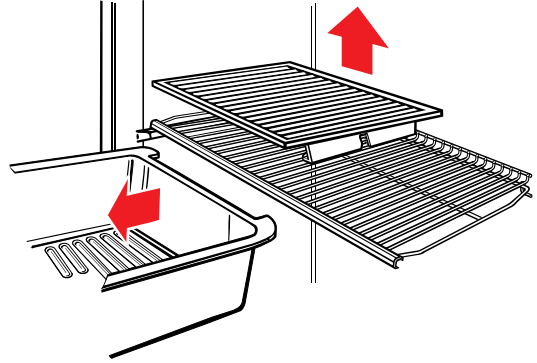
### Para sacar la cubierta:

1. Saque la gaveta para carnes.
2. Empuje la cubierta hacia atrás para soltar la parte posterior de la cubierta del anaquel.
3. Incline el frente de la cubierta hacia arriba.
4. Tire de la cubierta hacia afuera.

### Para volver a colocar la cubierta:

1. Coloque las ranuras y la orilla posterior de la cubierta sobre los travesaños posterior y central del anaquel.
2. Deje caer la cubierta en su lugar.
3. Vuelva a colocar la gaveta para carnes.

### MODELO 2



Saque la gaveta para carnes antes de la cubierta.

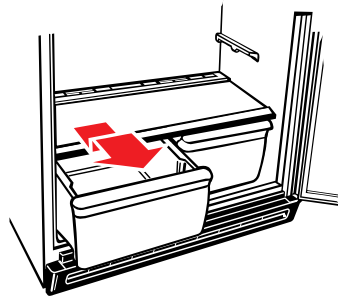


## Cómo sacar las gavetas para verduras y la cubierta

Para su conveniencia una gaveta es un poco más grande que la otra. Esto le permite guardar apio y otros vegetales más largos en la gaveta.

### Para sacar las gavetas para verduras:

1. Deslice la gaveta hacia afuera hasta el tope.
2. Levante el frente.
3. Deslice la misma hacia afuera el resto del recorrido.
4. Colóquela nuevamente invirtiendo el orden.



Tire hacia afuera hasta el tope, levante el frente y vuelva a tirar.

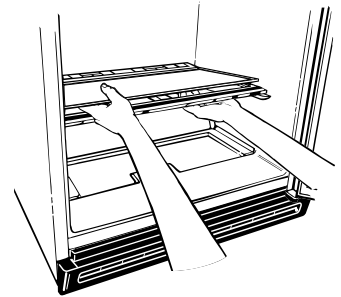
### Para sacar la cubierta:

1. Empuje el inserto de la cubierta desde abajo hacia arriba, luego con las dos manos deslícela hacia afuera.
2. Levante el frente del marco de la cubierta.
3. Levante el marco de la cubierta hacia arriba y afuera.

### Para volver a colocar la cubierta:

1. Coloque la parte posterior del marco de la cubierta en los apoyos ranurados en la pared posterior del refrigerador y baje el frente a su lugar.
2. Deslice la parte de atrás de la cubierta a su lugar y baje el frente.

Saque el inserto de la cubierta. Levante el frente de la cubierta y luego la parte trasera.

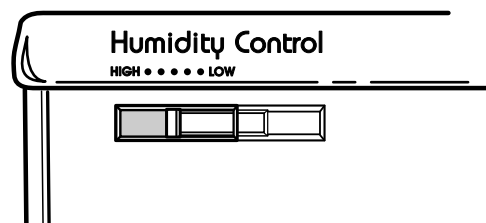


**NOTA:** Si la cubierta es de vidrio, tenga cuidado. Puede ser pesada.

## Cómo ajustar el control de humedad de las gavetas para verduras

Usted puede controlar el nivel de humedad en las gavetas sellados para retención de humedad. Ajuste el control al valor deseado entre LOW y HIGH.

- LOW (abierto) permite que el aire humedecido salga de la gaveta para el buen almacenamiento de frutas y verduras con cáscara.
- HIGH (cerrado) retiene el aire humedecido dentro de la gaveta para el buen almacenamiento de verduras de hoja.





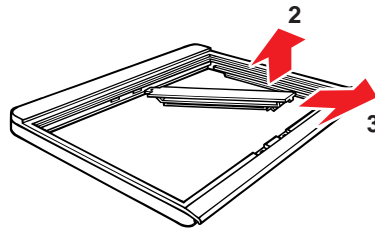
---

## Cómo ajustar el riel de la cubierta de la gaveta para verduras

Debido a que las gavetas no son del mismo tamaño, la cubierta de las gavetas tiene un riel central ajustable el cual permite cambiar la ubicación de las gavetas. Se puede ajustar el riel central sin sacar la cubierta del refrigerador. Saque solamente las gavetas y el inserto de la cubierta.

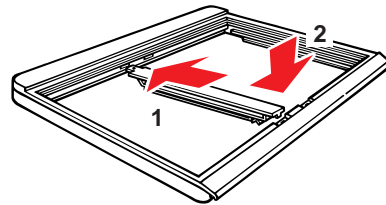
### Para sacar el riel central:

1. Empuje el inserto de la cubierta desde abajo hacia arriba, luego con las dos manos deslícelo hacia afuera.
2. Tire del frente del marco suavemente hacia arriba.
3. Tire de la parte posterior del riel fuera de la abertura de la cubierta.



### Para volver a colocar el riel central:

1. Introduzca el extremo posterior del riel (con agujero) en la abertura en la parte posterior de la cubierta.
2. Baje el extremo inferior del riel a la ranura.
3. Asegúrese que el extremo posterior esté bien asegurado en la parte inferior de la cubierta.



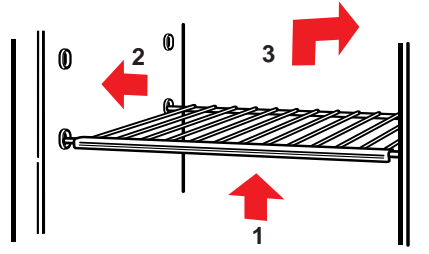
---

## Cómo ajustar el anaquel del congelador

Ajuste el anaquel del congelador de acuerdo al uso.

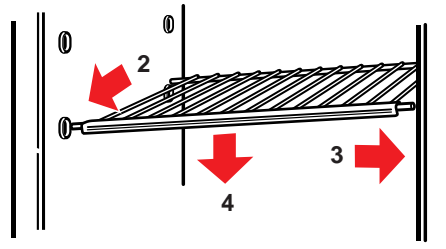
### Para sacar el anaquel:

1. Levante levemente todo el anaquel.
2. Mueva el anaquel a un lado.
3. Inclíne el otro extremo hacia arriba quitándolo de las copas de apoyo.
4. Tire del anaquel hacia arriba y hacia afuera.



### Para volver a colocar el anaquel:

1. Inclíne el anaquel e introdúzcalo en el compartimiento del congelador.
2. Introduzca un extremo del anaquel hasta el centro de las copas de apoyo del anaquel.
3. Baje el otro extremo del anaquel e introdúzcalo en las copas de apoyo.
4. Baje el anaquel a su lugar.



**NOTA:** El anaquel debe bajar levemente y cerrarse en su lugar. Si el anaquel parece estar inseguro, asegúrese de que esté bien colocado en las copas de apoyo del anaquel.

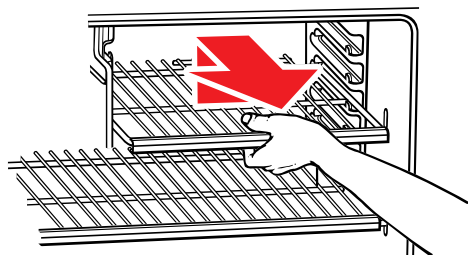
---

## Cómo ajustar el anaquel de dimensiones pequeñas del congelador (en modelos seleccionados)

Ajuste el anaquel de acuerdo con el espacio que necesita en su congelador. Use la posición más baja cuando no desee usar el anaquel.

### Cómo ajustar el anaquel:

1. Retire los artículos que estén sobre el anaquel.
2. Levante la parte delantera del anaquel.
3. Tire del anaquel hasta que llegue al tope.
4. Levante la parte posterior del anaquel.
5. Tire del anaquel hasta sacarlo.



### Cómo volver a colocar el anaquel:

1. Dirija la parte posterior del anaquel hasta que entre en la guía deseada.
2. Levante la parte posterior del anaquel sobre el tope.
3. Deslice el anaquel hasta adentro.
4. Baje la parte delantera hasta que quede en su lugar.

---

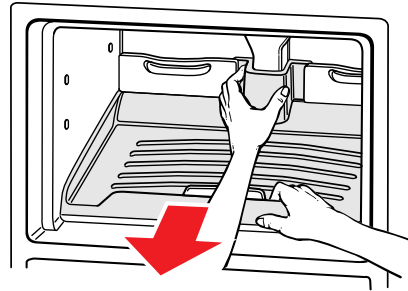
# Cómo quitar la base removible del congelador

(en modelos seleccionados)

La base removible del congelador se puede sacar para tener acceso fácil a alimentos al fondo del congelador y para facilitar la limpieza.

## Cómo sacar la base removible del congelador:

1. Levante las dos "rejillas" hacia arriba y hacia afuera.
2. Saque la base aproximadamente 2,5 cm (1 pulgada) colocando una mano alrededor de la torre de aire (centro, atrás) y la otra en la parte central delantera.
3. Levante la base en la parte de atrás hasta que los ganchos se suelten del aparato.
4. Saque la base hasta afuera.



## Cómo volver a colocar la base removible del congelador

1. Coloque la parte posterior de la base en la abertura del congelador.
2. Deslice la base hacia atrás hasta que los ganchos entren en su lugar en la parte posterior del gabinete.
3. Vuelva a colocar las "rejillas" alineando las clavijas con las entradas en la base. Empuje hacia abajo hasta que queden en su lugar.

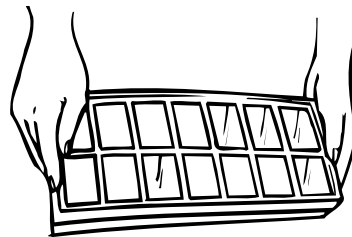
---

# Cómo usar las cubetas para hielo

Si los cubitos de hielo no se usan, pueden reducirse de tamaño. El aire frío circulante empieza una evaporación lenta. Mientras más tiempo guarde usted los cubitos de hielo, más pequeños se volverán.

## Para extraer el hielo:

1. Detenga la cubeta por ambos extremos.
2. Dóblela haciendo una ligera torsión.



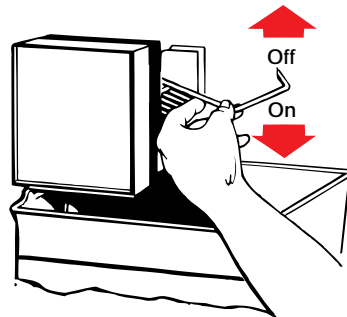
# Cómo usar la máquina de hacer hielo (opcional)

Si su refrigerador cuenta con una máquina de hacer hielo, o si desea agregar uno más tarde (llame a su distribuidor para obtener el número de parte para la máquina de hacer hielo), la siguiente información le será de utilidad:

- La palanca de ON/OFF es un brazo de alambre.  
Abajo (DOWN) para hacer hielo automáticamente  
Arriba (UP) para apagar la producción de hielo

**IMPORTANTE:** No encienda la máquina de hacer de hielo hasta que esté conectado al suministro de agua.

- Si retira usted el recipiente para hielo, suba la palanca para apagar el mecanismo de producción de hielo. Cuando vuelva a colocar el recipiente, empújela hasta el fondo y baje la palanca a la posición de ON.
- La calidad del agua determinará la calidad del hielo. Es preferible no conectar la máquina de hacer de hielo a un suministro



Levante la palanca para detener la máquina de hacer hielo

Baje la palanca para encender la máquina de hacer hielo

de agua blanda. Las sustancias químicas para suavizar el agua (tal como sal de un suavizador que no está funcionando bien) pueden dañar el molde para hacer hielo y producir hielo de mala calidad. Si no puede evitar usar un suministro de agua blanda, asegúrese de que el suavizador de agua esté funcionando correctamente y esté bien mantenido.

## Cómo resolver los problemas de la máquina de hacer hielo

PROBLEMA	POSIBLE CAUSA/SOLUCIÓN
<b>Las medias lunas de hielo están pegadas en las esquinas</b>	<ul style="list-style-type: none"> <li>• Esto es normal. Se separan con facilidad. Sacuda el recipiente ocasionalmente para que los cubos queden separados.</li> </ul>
<b>La máquina de hacer hielo no funciona o el hielo no se hace con la rapidez suficiente</b>	<ul style="list-style-type: none"> <li>• La palanca de ON/OFF está en la posición de OFF (hacia arriba). Baje la palanca a la posición de ON (hacia abajo).</li> <li>• El congelador no está lo suficientemente frío. Ajuste los controles de temperatura y espere 24 horas. (Refiérase a "Ajuste de los controles" en la página 11.)</li> </ul>
<b>Mal sabor o olor en el hielo</b>	<ul style="list-style-type: none"> <li>• Las nuevas conexiones de plomería pueden causar hielo descolorido o de mal sabor. Deseche las primeras tandas de hielo.</li> <li>• Los cubos de hielo han estado almacenados demasiado tiempo. Deséchelos y haga una nueva tanda.</li> <li>• Los alimentos no están debidamente envueltos. Refiérase a la página 37.</li> <li>• Necesita limpiar el congelador y el recipiente para hielo. Refiérase a la página 33.</li> </ul>

## Conexión de la máquina de hacer hielo (opcional) al suministro de agua

Lea cuidadosamente todas las instrucciones antes de comenzar.

**⚠️ ADVERTENCIA**



**Peligro de Choque Eléctrico**  
**Desenchufe el refrigerador antes de la instalación de la máquina de hacer hielo.**  
**No seguir esta instrucción puede ocasionar la muerte o choque eléctrico.**

### IMPORTANTE:

- Use tubería de cobre solamente y verifique si hay escapes.
- Instale la tubería de la máquina hacer hielo en lugares donde las temperaturas serán superiores a la temperatura de congelación.

### Herramientas necesarias:

- Destornillador estándar
- Llaves de boca de 1,11 cm ( $\frac{7}{16}$ " ) y 1,27 cm ( $\frac{1}{2}$ " ) 2 llaves ajustables
- Llave de tuerca de 0,635 cm ( $\frac{1}{4}$ " )
- Broca de taladro de 0,635 cm ( $\frac{1}{4}$ " )
- Taladro manual o taladro eléctrico (debidamente puesto a tierra)

**NOTA:** Su distribuidor de aparatos eléctricos tiene disponible un conjunto con una válvula tipo collarín de 0,635 cm ( $\frac{1}{4}$ " ), una unión y tubería de cobre. Antes de adquirirla asegúrese de que la válvula de tipo collarín cumple con los códigos de plomería locales. No utilice una válvula de tipo perforante o una válvula de tipo collarín de 0,45 cm ( $\frac{3}{16}$ " ) pues reduce el flujo de agua y se obstruye más fácilmente.

### Suministro de agua fría

La válvula del agua de la máquina de hacer hielo está provista de una arandela de flujo que se usa como un regulador de la presión del agua. La máquina de hacer hielo debe ser conectado a una tubería de agua fría con límites de presión del agua de 138 a 827 kPa (20 a 120 lbs/pulg.<sup>2</sup>). Si se produce algún problema llame a su compañía de agua potable.

### IMPORTANTE:

- Su fábrica de hielo puede demorar hasta 24 horas en comenzar a producir hielo.
- Si se usa el refrigerador antes de instalar la conexión del agua, coloque la máquina de hacer de hielo en la posición OFF (apagado) para evitar que funcione sin agua.
- Todas las instalaciones deben ser hechas de acuerdo con los códigos de plomería local.

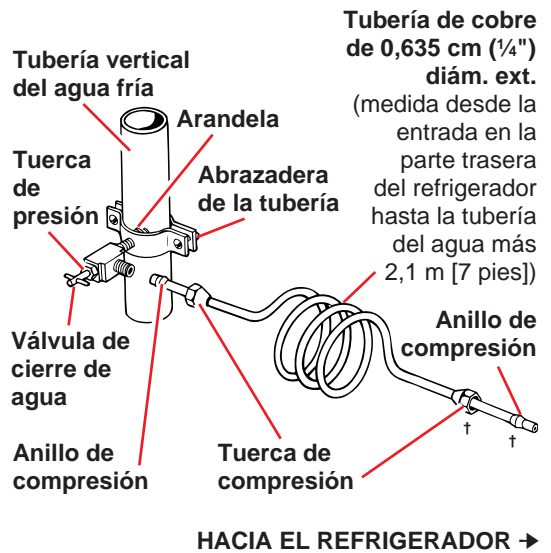
**La instalación no es garantizada por el fabricante del refrigerador o de la máquina de hacer hielo**

## Conexión de la tubería del agua

1. Busque una tubería vertical de agua FRIA de 1,27 cm (1/2") a 3,17 cm (1 1/4") cerca del refrigerador.

**NOTA:** Una tubería horizontal puede servir, pero se debe tomar las siguientes precauciones: Taladre en el lado superior de la tubería, no en la parte inferior. Esto ayudará a mantener el agua alejada del taladro. Esto además evita que se acumule sedimento normal en la válvula.

2. Mida desde la conexión en la parte trasera del refrigerador hasta la tubería del agua. Agregue 2,1 m (7 pies) más para permitir que el refrigerador pueda moverse cuando se hace la limpieza. Este es el largo de la tubería de cobre de 0,635 cm (1/4") diámetro exterior que necesitará para el trabajo (medido desde la conexión a la tubería del agua MAS 2,1 m [7 pies]). Asegúrese de que ambos extremos de la tubería de cobre estén cortados derechos.
3. CORTE el suministro de agua principal. ABRA la llave de agua más cercana durante un tiempo suficiente para que la tubería quede totalmente sin agua.
4. Usando un taladro puesto a tierra, taladre un orificio de 0,635 cm (1/4") en la tubería del agua fría que usted haya seleccionado.
5. Instale la válvula de cierre en la tubería de agua fría con la abrazadera. Asegúrese de que el extremo de la salida esté firmemente insertado en el orificio de 0,635 cm (1/4") taladrado en la tubería del agua y que la arandela esté debajo de la abrazadera de la tubería. Apriete la tuerca de presión. Apriete los tornillos de la abrazadera de la tubería cuidadosa e uniformemente de modo que la arandela provea un cierre hermético. No apriete demasiado pues puede doblar la tubería de cobre, especialmente si se usa tubería de cobre recocido. Ahora usted puede conectar la tubería de cobre.

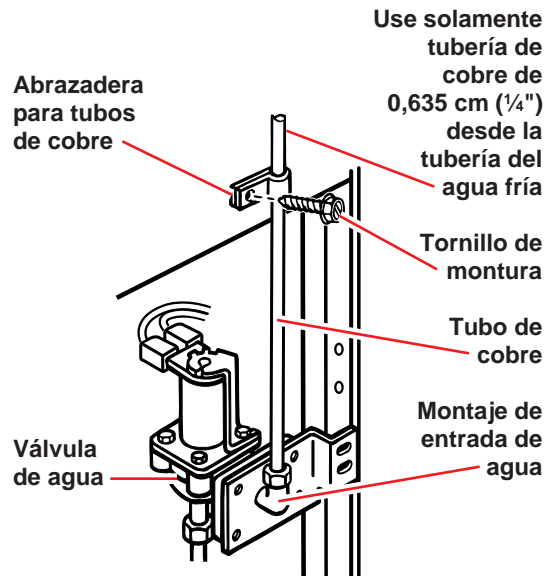


† Algunas modelos pueden no tener este segundo anillo de compresión y tuerca de compresión.

6. Deslice el anillo de compresión y la tuerca de compresión en la tubería de cobre como se muestra en la ilustración. Inserte el extremo de la tubería en el extremo de la salida firmemente hasta donde sea posible. Atornille la tuerca de compresión en el extremo de la salida con una llave ajustable. No apriete demasiado. ABRA el suministro de agua principal y deje correr el agua hasta que salga clara. CIERRE la válvula de cierre en la tubería del agua. Haga un espiral con la tubería de cobre.

## Conexión al refrigerador

1. Desconecte la abrazadera para tubos en la parte trasera del refrigerador y inserte la tubería de cobre a través de la abrazadera como se muestra en el diagrama a la derecha. Fije la tubería de cobre a la entrada de la válvula usando un anillo de compresión y una tuerca de compresión como se muestra. Apriete la tuerca de compresión. No la apriete demasiado. Fije de nuevo la abrazadera de tubos y el tubo a la parte trasera del gabinete. Continúe al Paso 2.
2. **ABRA la válvula de cierre. VERIFIQUE SI HAY FUGAS. APRIETE TODAS LAS CONEXIONES (INCLUYENDO LAS CONEXIONES EN LA VALVULA) O TUERCAS QUE TENGAN ESCAPES.**
3. La máquina de hacer hielo está equipado con un filtro de agua incorporado. Si las condiciones de agua locales requieren limpieza periódica o su fuente de suministro de agua es un pozo, se debe instalar un segundo filtro del agua en la tubería de agua de 0,635 cm (1/4"). Adquiera un filtro de agua de su distribuidor de aparatos eléctricos más cercano. Instálelo en cualquiera de las conexiones de la tubería.
4. Vuelva a conectar la corriente eléctrica al refrigerador.



## Cómo sacar la rejilla de la base

**⚠ ADVERTENCIA**



**Peligro de Quemaduras**  
No toque los tubos de refrigeración cerca de la bandeja de descongelación.  
No seguir esta instrucción puede ocasionar quemaduras.

### Cómo sacar la rejilla:

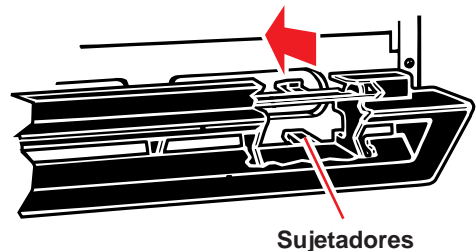
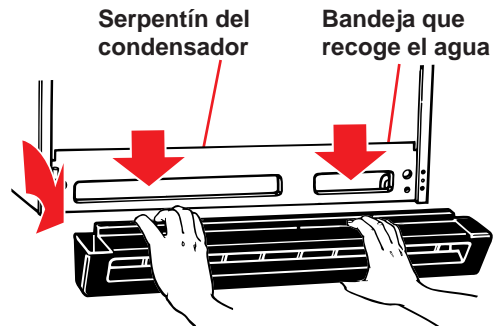
1. Abra la puerta del refrigerador.
2. Tome la rejilla con ambas manos.
3. Empuje hacia abajo sobre la parte superior de la rejilla para soltar los sujetadores superiores.
4. Gire la rejilla hacia usted para liberarla de los sujetadores superiores.
5. Retire la rejilla del refrigerador.

**NOTA:** No saque la Hoja Técnica que se halla fijada detrás de la rejilla.

### Para volver a colocar la rejilla:

1. Alinee las orillas de la rejilla con las orillas del gabinete.
2. Gire la rejilla hacia usted.
3. Coloque los sujetadores inferiores en las aberturas del panel de metal.
4. Gire la rejilla hacia el gabinete hasta que los sujetadores superiores enganchen.
5. Cierre la puerta del refrigerador.

Ver las instrucciones de limpieza para la bandeja que recoge el agua y el serpentín del condensador en la página 34.





# Cómo cambiar las bombillas

**⚠️ ADVERTENCIA**

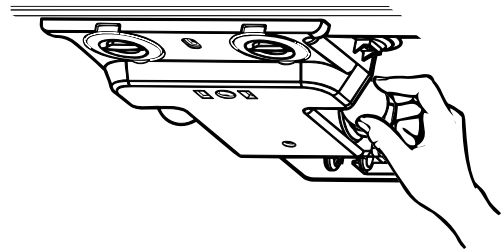


**Peligro de Choque Eléctrico**  
**Desenchufe el refrigerador antes de quitar la bombilla.**  
**No seguir esta instrucción puede ocasionar la muerte o choque eléctrico.**

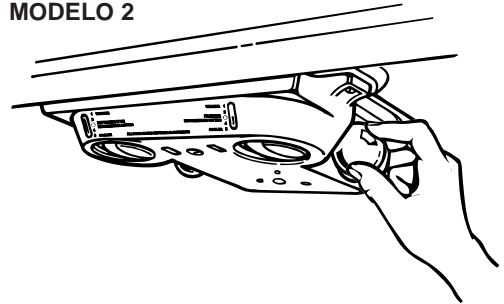
## Cómo cambiar la bombilla del refrigerador:

1. Desconecte el refrigerador.
2. Saque la bombilla ubicada detrás del panel de controles.
3. Reemplácela con una bombilla de 40-watts para electrodomésticos.
4. Conecte el refrigerador nuevamente.

MODELO 1

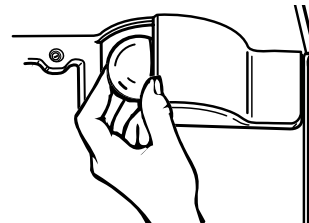


MODELO 2



## Cómo cambiar la bombilla del congelador:

1. Desconecte el refrigerador del suministro eléctrico.
2. Llegue hasta la bombilla que se encuentra atrás del protector.
3. Quite la bombilla y ponga una nueva de 40 watts para aparatos electrodomésticos.
4. Vuelva a conectar el refrigerador al suministro eléctrico.



**NOTA:** No todas las bombillas para aparatos electrodomésticos serán del tamaño adecuado para su refrigerador. Asegúrese de reemplazar la bombilla con otra bombilla del mismo tamaño.

---

## Cómo interpretar los sonidos que se escuchan

Su nuevo refrigerador puede emitir sonidos que el anterior no emitía. Como que los sonidos son nuevos usted podría preocuparse, pero no hay motivo para ello. La mayoría de los sonidos son normales, pero las superficies duras como el piso, las paredes y los gabinetes pueden hacerlos más audibles.

Abajo encontrará una descripción con el tipo de sonidos que pueda escuchar, y su causa.

**Murmullo suave, silbido suave**  
Pueden ser el ventilador del motor y el aire en movimiento.

**Golpecitos secos o cascabeleo**  
El termostato emite un golpecito seco bien definido cuando el refrigerador para; igualmente cuando empieza a funcionar de nuevo. El reloj del control de descongelación también emite el mismo tipo de sonido cuando el ciclo de descongelación comienza.

### Sonidos de agua

Después de que el refrigerador para, se puede oír por algunos minutos un gorgoteo en la tubería. Puede oírse también agua que corre a la bandeja recogedora de agua y un tipo de chisporroteo en los ciclos de descongelación.

### Sonidos de la máquina hacer hielo

- Goteo
- Golpe (de la caída del hielo)

Puede oírse un zumbido (de la válvula del agua), gotas de agua y la caída del hielo en el recipiente para hielo.

### Sonidos de funcionamiento

Su refrigerador tiene un compresor y motor de alta eficiencia. Funciona por períodos más largos que los modelos anteriores. Parece que funcionara la mayoría del tiempo.

---

## Cómo ahorrar energía

Usted puede ayudar a su refrigerador a utilizar menos energía.

- Asegúrese de que los empaques del refrigerador sellen bien.
- Limpie el serpentín del condensador regularmente.
- Abra el refrigerador lo menos posible. Piense qué necesita antes de abrir el refrigerador. Saque todo lo que necesite al mismo tiempo. Mantenga la comida organizada en el refrigerador, para que pueda encontrarla fácilmente y no tenga que buscarla mucho. Cierre el refrigerador tan pronto saque lo que necesite.

- Puede llenar el refrigerador, pero no lo llene tanto que el aire no pueda circular libremente.
- Es una pérdida de electricidad el mantener el refrigerador y el congelador en temperaturas más bajas de las necesarias. Si el helado está firme en el congelador y las bebidas están tan frías como a su familia le gustan, el refrigerador está lo suficientemente frío.
- Asegúrese de que el refrigerador no esté al lado de una fuente de calor, tal como una estufa, calentador de agua, horno, calefacción, o luz directa del sol.

# Cómo invertir el lado de abertura de las puertas

## HERRAMIENTAS NECESARIAS:

Llave de tubo de cabeza hexagonal de  $\frac{5}{16}$ ", destornillador de estrella "Phillips" No. 2, destornillador para tornillos de cabeza plana,  $\frac{1}{2}$ " llave abierta de  $\frac{1}{2}$  pulgada.

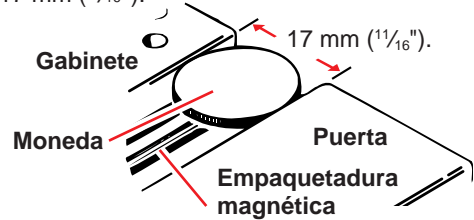
## INFORMACION IMPORTANTE:

- Antes de comenzar, APAGUE el refrigerador, desenchúfelo y saque todos los alimentos de los anaqueles de la puerta.
- Quite la rejilla de la base.
- Cuando saque las bisagras, mantenga las puertas cerradas hasta que estén listas para sacarlas de la caja del refrigerador.
- Para sacar las puertas, comience con la bisagra superior y continúe sacando bisagras hacia abajo.
- Para sacar los tornillos de la bisagra central, saque el pasador de la bisagra central girándolo  $\frac{1}{4}$  a  $\frac{1}{2}$  vuelta. Saldrá hacia afuera.
- Para volver a colocar las puertas, comience con la bisagra inferior y continúe colocando las bisagras hacia arriba.
- Alinee las puertas de modo que queden centradas en relación a la caja y paralelas entre ellas.
- Tape todos los orificios que no utilice con tornillos o tapones plásticos. La humedad puede penetrar por cualquier orificio.
- La hermeticidad de la puerta puede ser regulada moviendo la bisagra superior y agregando o quitando láminas en la bisagra del centro y en la bisagra inferior.

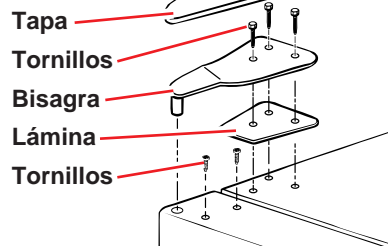
Para cambiar el lado de las bisagras

### NOTA:

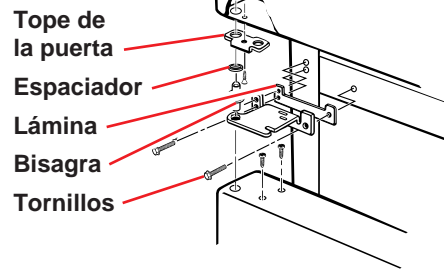
Cuando coloque las puertas nuevamente, el espacio entre las puertas debe ser 17 mm ( $\frac{11}{16}$ ").



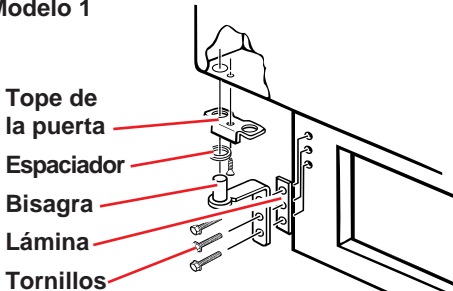
### BISAGRA SUPERIOR



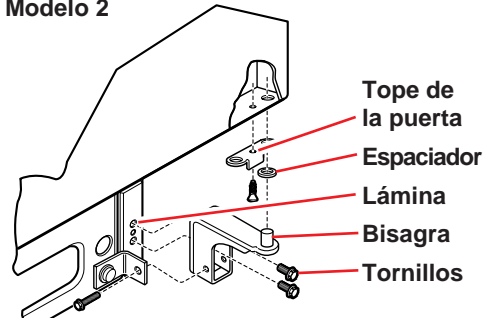
### BISAGRA CENTRAL



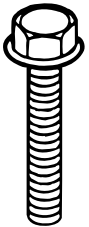
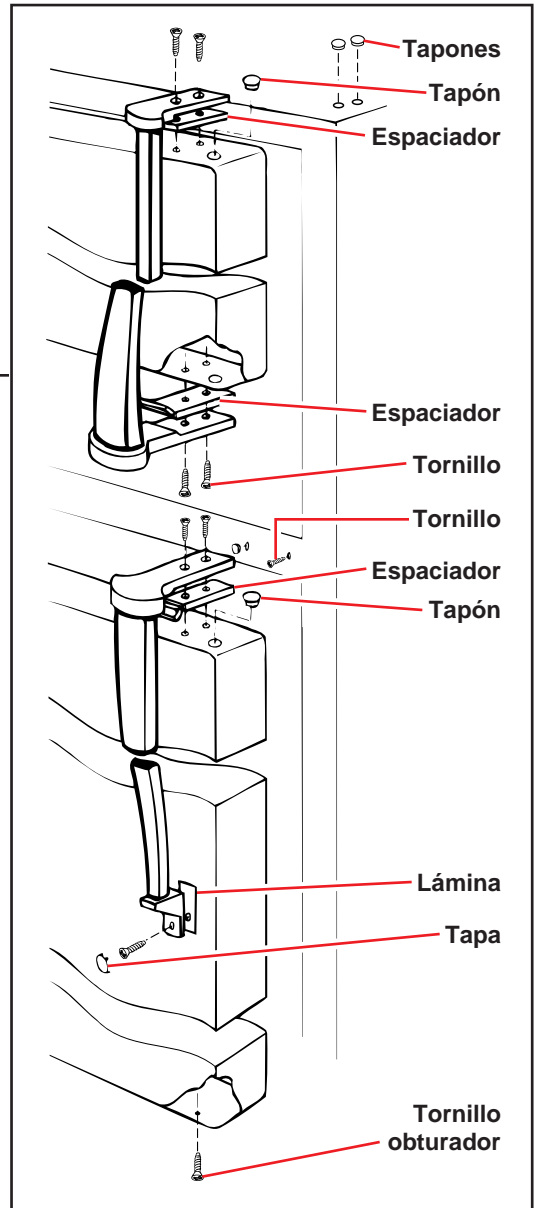
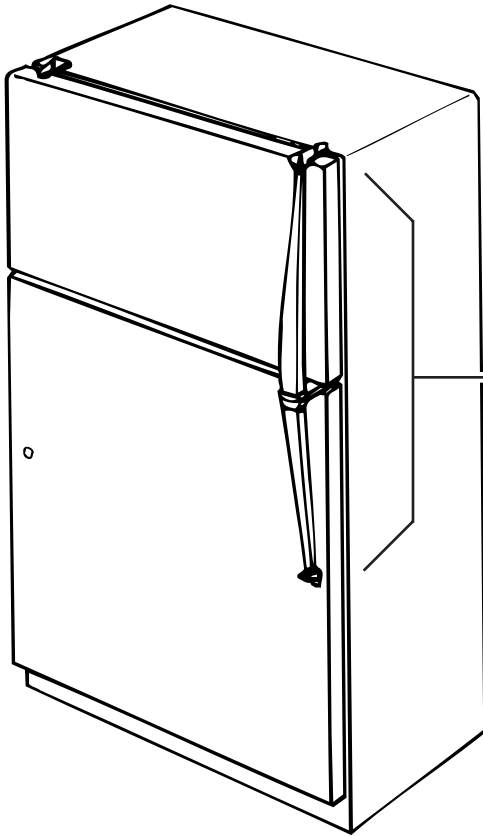
### BISAGRA INFERIOR Modelo 1



### BISAGRA INFERIOR Modelo 2



Para cambiar las manijas de la puerta - Estilo 1



**TORNILLO DE CABEZA HEXAGONAL DE 5/16" PARA BISAGRAS**



**TORNILLO DE CABEZA AVELLANADA**



**TORNILLO DE OBTURACION OVALADO (PARA USAR EN LA PARTE INFERIOR DE LAS PUERTAS)**

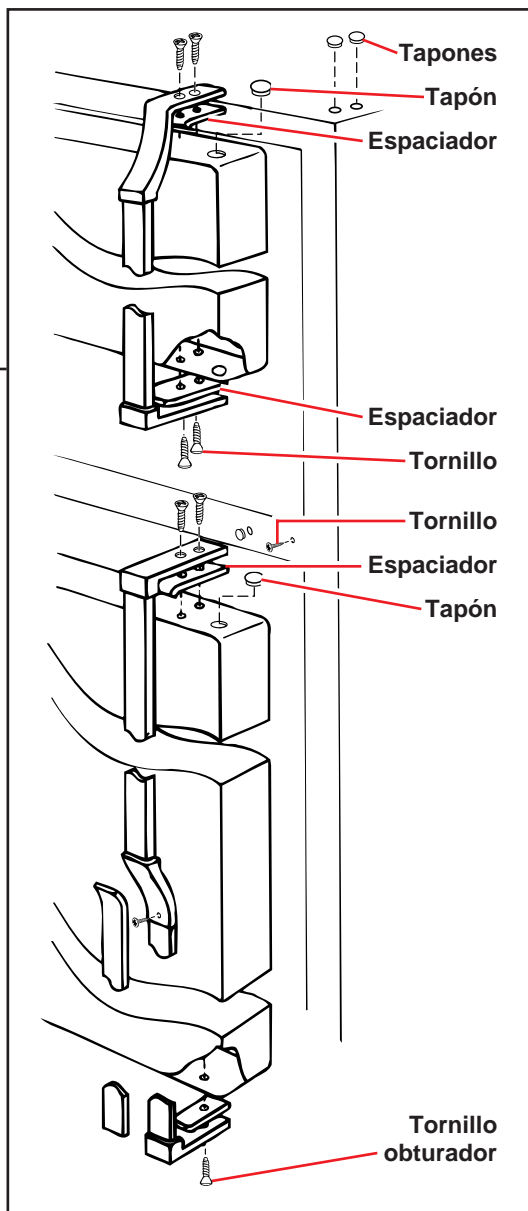
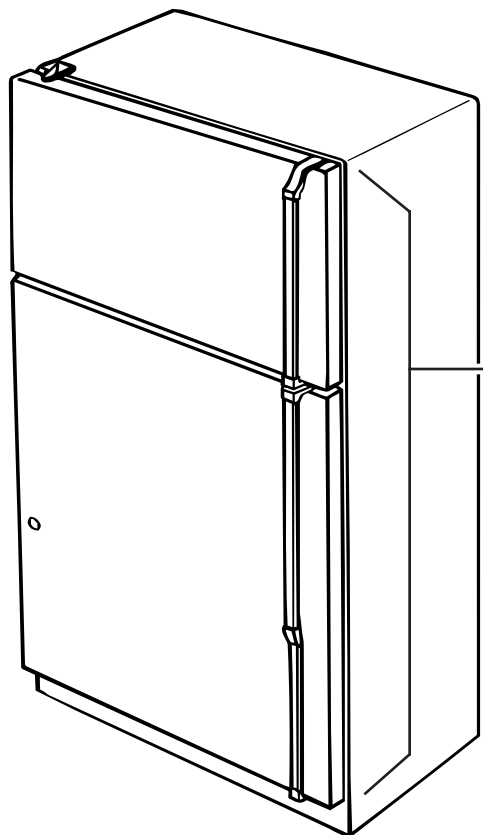


**TORNILLO DE MANIJA**

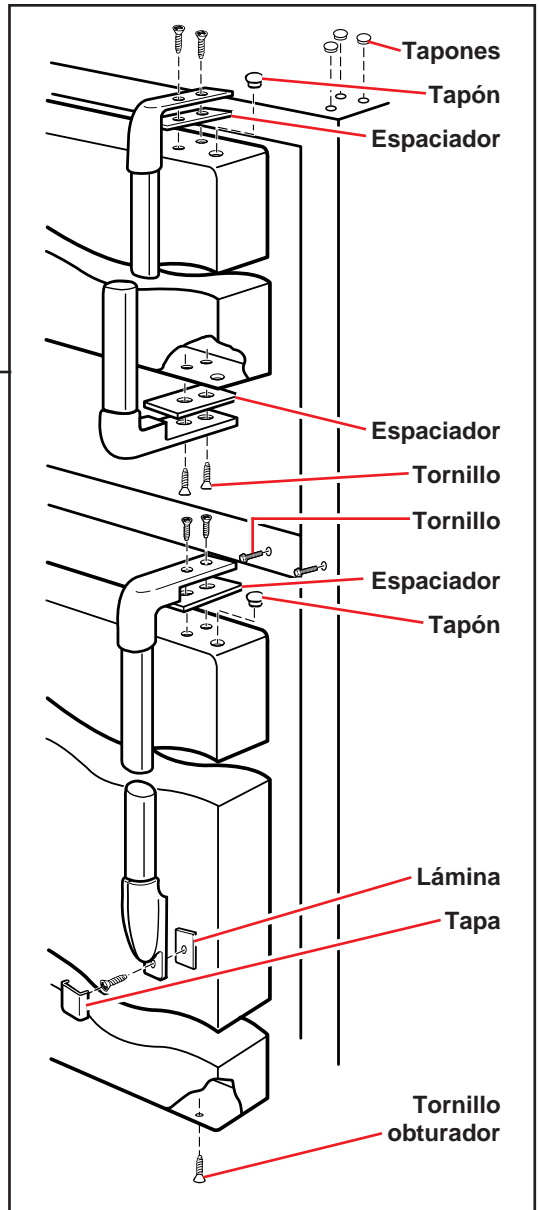
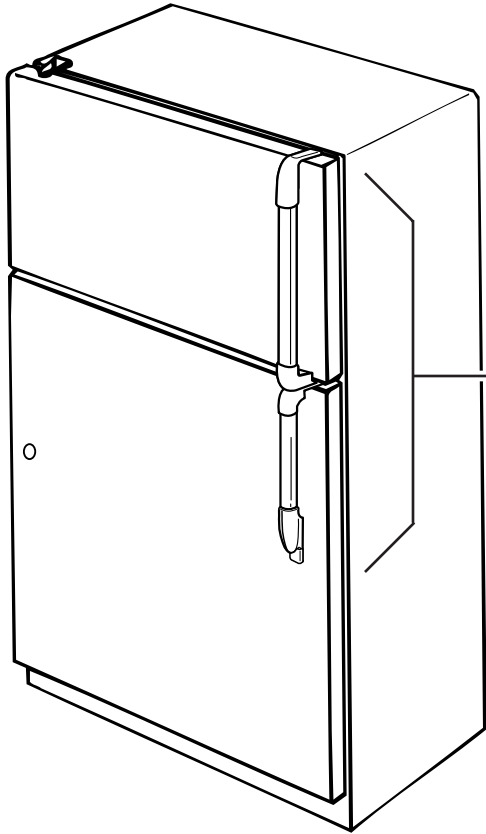


**TORNILLO DE OBTURACION OVALADO (PARA USAR EN LA PARTE SUPERIOR DE LAS PUERTAS)**

# Para cambiar las manijas de la puerta - Estilo 2



Para cambiar las manijas de la puerta - Estilo 3



# Cuidados con el Refrigerador

Este refrigerador está diseñado para ofrecerle muchos años de servicio; no obstante hay algunas sugerencias que usted puede seguir para extender la vida del refrigerador. En esta sección se le indicará como limpiarlo y que hacer en caso de vacaciones, mudanza o falla eléctrica.

## Cómo limpiar el refrigerador

Las secciones de refrigeración y congelado se descongelan automáticamente pero deben ser limpiadas una vez al mes para evitar que se produzcan olores. Lo que se derrame debe ser limpiado inmediatamente.



Para limpiar el refrigerador, debe poner el control en "OFF" apagado, desconectarlo, sacar todas las piezas removibles y hacer la limpieza de acuerdo a las siguientes instrucciones.

**⚠ ADVERTENCIA**

**Peligro de Quemaduras**

**No toque los tubos de refrigeración cerca de la bandeja de descongelación.**

**No seguir esta instrucción puede ocasionar quemaduras.**

PARTES	QUE USAR	COMO HACER LA LIMPIEZA
<b>Piezas removibles</b> (anaquel, gaveta para verduras, etc.)	Una esponja o paño, detergente suave y agua tibia	<ul style="list-style-type: none"> <li>• A mano, enjuague y seque bien.</li> </ul>
<b>Paredes exteriores</b>	Esponja, paño o papel toalla, detergente suave y cera para electrodomésticos (o cera de buena calidad para automóviles)	<ul style="list-style-type: none"> <li>• Lave la parte exterior; no utilice limpiadores fuertes o abrasivos.</li> <li>• Enjuague y seque bien.</li> <li>• Encere las superficies de metal pintadas, al menos dos veces al año. Aplique la cera con un paño delicado y limpio. <b>El encerar superficies de metal pintadas, previene la corrosión. No encere las piezas plásticas.</b></li> </ul>
<b>Paredes interiores</b> (después de desconectar el refrigerador, espere que las paredes estén a temperatura ambiente para que los paños de limpieza no se adhieran)	Una esponja, paño o papel toalla, bicarbonato de soda o detergente suave y agua tibia	<ul style="list-style-type: none"> <li>• Lave con una mezcla de detergente suave y agua tibia o bicarbonato de soda (26 g [dos cucharadas] por .95 L [cuarto de galón] de agua).</li> <li>• Enjuague y seque bien.</li> </ul>

PARTES	QUE USAR	COMO HACER LA LIMPIEZA
<b>Revestimientos y empaques de las puertas</b>	Una esponja, paño o papel toalla y agua tibia	<ul style="list-style-type: none"> <li>• Lave, enjuague y seque bien.</li> </ul> <b>No use en las piezas plásticas ceras para limpieza, detergentes concentrados, blanqueadores o limpiadores que contengan petróleo.</b>
<b>Piezas plásticas</b> (cubiertas y paneles)	Una esponja o paño delicado con detergente suave y agua tibia	<ul style="list-style-type: none"> <li>• Lave, enjuague y seque bien.</li> </ul> <b>No use papel toalla, aerosoles para ventana, limpiadores para fregar o líquidos inflamables. Estos pueden rayar o dañar el material. Ver “Instrucciones Importantes de Seguridad” página 3.</b>
<b>Bandeja de desagüe de descongelación</b>	Una esponja, paño y agua tibia	<ul style="list-style-type: none"> <li>• Saque la rejilla de la base. (Ver página 26.)</li> <li>• Saque la bandeja de la abertura pequeña al lado derecho.</li> <li>• Lávela, enjuáguela y séquela bien.</li> <li>• Devuélvala a su lugar. Asegúrese que asiente bien.</li> <li>• Devuelva la rejilla a su lugar.</li> </ul>
<b>Serpentín del condensador</b>	Máquina aspiradora con accesorios de extensión delgados	<ul style="list-style-type: none"> <li>• Saque la rejilla de la base. (Ver página 26.)</li> <li>• Aspire el serpentín del condensador cuando esté sucio o con polvo. El serpentín puede necesitar limpieza cada dos meses.</li> <li>• Devuelva la rejilla a su lugar.</li> </ul>



---

## Cuidados durante vacaciones y mudanzas

### En caso de vacaciones cortas

No hay necesidad de apagar el refrigerador si las vacaciones son de menos de cuatro semanas.

1. Use la comida que pueda dañarse.
2. Congele lo demás.

### En caso de vacaciones largas

Si va a estar lejos por un mes o más:

1. Saque los alimentos.
2. Si su refrigerador tiene un fabricante automático de hielo:
  - Suspenda el suministro de agua al fabricante, por lo menos un día antes de partir.
  - Cuando caiga la última producción de hielo, apague el fabricante de hielo. Asegúrese de que todo el hielo esté fuera del mecanismo.
3. Desconecte el refrigerador.
4. Lávelo, enjuáguelo y séquelo bien.
5. Usando cinta adhesiva o bloques de madera en la pieza superior de las puertas, déjelas abiertas para que así pueda entrarle ventilación y evitar la formación de moho.

Para iniciar el funcionamiento del refrigerador de nuevo, ver "Como Usar el Refrigerador" página 10.

### En caso de mudanza

Si usted va a llevar el refrigerador a la casa nuevo:

1. Si su refrigerador tiene un fabricante automático de hielo:
  - Suspenda el suministro de agua al fabricante, por lo menos un día antes de la mudanza.
  - Desconecte la conexión del agua.
  - Después de la última producción de hielo suba la palanca para apagar el fabricante.
2. Saque toda la comida.
3. Empaque la comida congelada con hielo seco.
4. Desconecte el refrigerador.
5. Límpielo bien, enjuáguelo y séquelo bien.
6. Saque todas las piezas removibles, envuelva cada pieza muy bien y póngales cinta adhesiva para mantenerlas juntas.
7. Atornille los niveladores.
8. Cierre las puertas y asegúrelas con cinta adhesiva y adhiera el cable eléctrico al refrigerador con cinta adhesiva.

Cuando llegue a la nueva casa devuelva todo a su lugar, ver página 7. No olvide conectar la conexión del agua.

---

## Fallas eléctricas

Si hay una falla eléctrica, llame a la compañía eléctrica y pregunte cuanto tiempo tardarán en restablecer la energía.

1. Si la falta de electricidad será de 24 horas o menos, **mantenga ambas puertas cerradas**, esto ayuda a que la comida se mantenga congelada.
2. Si la falta de electricidad va a ser de más de 24 horas:
  - (a) Saque la comida del congelador y almacénela en un almacenador de congelados.

○

- (b) Coloque 32 g de hielo seco, por cada litro (2 lbs. por cada pie cúbico) del congelador, esto mantendrá la comida congelada de 2 a 4 días.

Use guantes para evitar quemaduras con el hielo seco.

○

- (c) Si no es posible conseguir el almacenador de congelados o el hielo seco, use o ponga en conservas la comida que se pueda descomponer.
3. Un congelador lleno conserva más el frío que un parcialmente lleno. Un congelador lleno de carne se conserva frío más tiempo que uno lleno de panes y pasteles horneados. Si la comida contiene cristales de hielo, se puede recongelar aunque su calidad y sabor pueda ser afectados. Si la condición de la comida no es muy buena, o si hay dudas en cuanto a su toxicidad, deséchela.

# Guía de Almacenamiento de Alimentos

Hay una forma correcta de empacar y almacenar comida en el refrigerador o en el congelador. Para mantener la comida fresca más tiempo, tómese el tiempo y lea las siguientes recomendaciones.

## Almacenamiento de alimentos frescos

La comida que se guarde en el refrigerador debe estar envuelta o guardada en materiales a prueba de aire y humedad; esto evita la contaminación de olores y sabores por todo el refrigerador. Verifique las fechas para asegurarse de la frescura de los productos.

### Vegetales de hoja

Sáquelos de la envoltura del supermercado y corte las piezas descoloridas o moreteadas. Lávelos en agua fría y escúrralos, colóquelos en bolsa o recipiente de plástico y guárdelos en la gaveta para verduras.

### Vegetales con cáscara

(zanahorias, pimientos)

Guárdelos en la gaveta para verduras, bolsa o recipiente de plástico.

### Fruta

Lávela, déjela secar y póngala en bolsas plásticas o en la gaveta para verduras. No lave o divida las ballas hasta el momento de usarlas. Mantenga las ballas en la envoltura del supermercado y en la gaveta para vegetales, o en una bolsa amplia de papel a medio cerrar, en uno de los anaqueles.

### Huevos

Almacénelos sin lavarlos en su empaque original o en el compartimiento para huevos.

### Leche

Limpie los cartones. Para mejor almacenamiento colóquela en un anaquel interior.

### Mantequilla o margarina

Mantenga la mantequilla ya abierta en un recipiente cubierto o en un compartimiento cerrado. Cuando almacene una cantidad grande, envuélvala en material de congelados y congélela.

### Queso

Almacénelo en la envoltura original hasta el momento de usarlo; una vez que se abra, envuélvalo bien en plástico o aluminio.

### Sobras

Cubra las sobras con envoltura de plástico o aluminio, pueden también usarse recipientes de plástico con cubiertas ajustadas.

### Carnes

La carne puede almacenarse en la envoltura original siempre y cuando sea a prueba de aire y humedad. Envuélvalas de nuevo si es necesario. Ver el siguiente cuadro con tiempos de almacenamiento. Si las carnes se van a almacenar por más tiempo de los anteriormente dados, siga las instrucciones para congelar.

Pollo .....	1 a 2 días
Carne de res molida .....	1 a 2 días
Bistecs y carnes para hornear .....	3 a 5 días
Carnes curadas .....	7 a 10 días
Tocino .....	5 a 7 días
Carnes frías .....	3 a 5 días
Carnes variadas .....	1 a 2 días

**NOTA:** El pescado fresco y los moluscos deben usarse el mismo día que se compran.

---

# Almacenamiento de comidas congeladas

El congelador ha sido diseñado para almacenar comidas precongeladas y para congelar comida casera.

**NOTA:** Para conseguir más información acerca de como preparar comida para congelarla, consulte una guía de congelador o un libro de cocina.

## Envolturas

El secreto de congelar bien está en la envoltura. La forma como se cierre y selle el paquete no debe dejar que el aire o la humedad entre o salga. Si la comida se empaca de alguna otra manera, puede haber transferencia de olor y sabor en el refrigerador y resecamiento de los alimentos en el congelador.

### Envolturas recomendadas:

- Recipientes de plástico rígido, con cubiertas ajustadas
- Recipientes para conservas de lado plano/ frascos para congelados
- Envoltura de aluminio gruesa
- Papel con recubrimiento de plástico
- Envoltura de plástico impermeable

Siga las indicaciones para el método apropiado de congelación.

### No usar:

- Bolsas para pan
- Recipientes que no sean de polietileno
- Recipientes que no tengan cubiertas ajustadas
- Papel encerado
- Envoltura encerada para congelados
- Envoltura semipermeable delgada

El uso de los anteriores puede causar transferencia de olor y sabor en el refrigerador y resecamiento de los alimentos en el congelador.

## Congelador

No espere que el congelador congele grandes cantidades de comida rápidamente. No ponga en el congelador comida en exceso de lo que se congelará en 24 horas (no más de 32 a 48 g de comida por litro [2 o 3 lbs. por pie cúbico] del congelador). Deje suficiente espacio para que el aire circule alrededor de los paquetes. Asegúrese de dejar suficiente espacio en el frente del congelador para que la puerta pueda cerrar bien. El tiempo de almacenamiento puede variar de acuerdo a la calidad de la comida.

El almacenamiento varía de acuerdo a la calidad de la comida, el tipo de empaquetamiento o envoltura usado (a prueba de aire y humedad) y de la temperatura de almacenamiento, que debería ser  $-17^{\circ}\text{C}$  ( $0^{\circ}\text{F}$ ).

# Cómo Solucionar Problemas

En este cuadro están algunos problemas posibles con los refrigeradores. Por favor lea los problemas para ver si puede resolver el problema.

PROBLEMA	VERIFICAR
<b>El refrigerador no funciona</b>	¿Está el cable de electricidad conectado al enchufe apropiado? ¿Está uno de los fusibles quemado o el disyuntor caído? ¿Está el control de la temperatura del refrigerador mal ajustado?
<b>La luz no funciona</b>	¿Está el cable de electricidad conectado al enchufe apropiado? ¿Está uno de los fusibles quemado o el disyuntor caído? ¿Está la bombilla quemada?
<b>Ruidos no familiares o cascabeleo o tintineo</b>	¿Hay algo encima o detrás del refrigerador? Algunos sonidos son normales. Ver "Como interpretar los sonidos que se escuchan" en la página 28.
<b>Hay agua en la bandeja que recoge el agua</b>	Es lo normal en climas cálidos y húmedos. Asegúrese de que la bandeja esté nivelada para que el agua no se derrame.
<b>Parece que el motor funcionara demasiado</b>	¿Está el serpentín del condensador sucio? ¿Está la puerta abierta frecuentemente? ¿Se ha puesto una gran cantidad de comida? El motor tiene que funcionar más. ¿Está la habitación muy caliente? Si estuviera, el motor funcionaría más tiempo para enfriar el interior.

# Si Necesita Ayuda

## 1. Si necesita mantenimiento† ...

Póngase en contacto con la agencia donde compró la unidad, o con una compañía autorizada de mantenimiento Whirlpool.

### † **Cuando necesite mantenimiento:**

Favor proporcione una descripción completa del problema, el modelo y el número de serie de su refrigerador. (Ver página 2.) Esta información nos ayuda para ayudarle a usted.

## 2. Si usted necesita repuestos FSP\*† ...

La FSP es una marca registrada de repuestos con la calidad de la Corporación Whirlpool. Busque este símbolo de calidad cuando busque un repuesto para su electrodoméstico WHIRLPOOL. Los repuestos FSP trabajan y se ajustan perfectamente porque son hechos con exactamente las mismas especificaciones de las piezas que son usadas para construir los aparatos electrodomésticos WHIRLPOOL. Para encontrar repuestos FSP en su área, contacte a la agencia donde compró la unidad o a una compañía autorizada de mantenimiento Whirlpool.



# WHIRLPOOL\* Refrigerador-Garantía

TERMINO DE LA GARANTIA	WHIRLPOOL PAGARA POR
<b>GARANTIA DE UN AÑO</b> DESDE EL DÍA DE LA COMPRA	Los repuestos FSP* y las reparaciones para corregir defectos de material o fábrica. El mantenimiento debe ser hecho por una compañía de servicio autorizada Whirlpool.
<b>GARANTIA DE CINCO AÑOS</b> DESDE EL DÍA DE LA COMPRA	Los repuestos FSP y las reparaciones para corregir defectos de material o fábrica en el sistema sellado de refrigeración. Estas piezas son: <ol style="list-style-type: none"> <li>1. El compresor</li> <li>2. El evaporador</li> <li>3. El condensador</li> <li>4. El filtro de secado</li> <li>5. Los conductos de conexión</li> </ol> El mantenimiento debe ser hecho por una compañía de servicio autorizada Whirlpool.
<b>WHIRLPOOL NO PAGARA POR</b>	
<p><b>A.</b> Llamadas a domicilio para:</p> <ol style="list-style-type: none"> <li>1. Corregir la instalación del refrigerador.</li> <li>2. Enseñar como usar el refrigerador.</li> <li>3. Cambiar los fusibles o corregir el sistema eléctrico o de cañería de la casa.</li> <li>4. Cambiar las bombillas.</li> </ol> <p><b>B.</b> Reparaciones a un refrigerador que haya sido usado en forma otra que la normal en un hogar de una sola familia.</p> <p><b>C.</b> Transporte para recoger y devolver el producto, pues ha sido diseñado para que se repare en casa.</p> <p><b>D.</b> Corregir daños al refrigerador causados por accidente, mal uso, incendio, inundación, fuerzas mayores o uso de productos no aprobados por Whirlpool.</p> <p><b>E.</b> Cobertura por alimentos perdidos por falla del producto.</p> <p><b>F.</b> Reparar repuestos o sistemas, debido a modificaciones no autorizadas, llevadas a cabo en el aparato electrodoméstico.</p>	

9/96

## **CORPORACION WHIRLPOOL NO SERA RESPONSABLE POR DAÑOS IMPREVISTOS O DE CONSECUENCIA.**

Fuera de los Estados Unidos la garantía puede ser diferente. Para obtener más detalles por favor contacte a su distribuidor autorizado de Whirlpool o al centro militar.

## Free Manuals Download Website

<http://myh66.com>

<http://usermanuals.us>

<http://www.somanuals.com>

<http://www.4manuals.cc>

<http://www.manual-lib.com>

<http://www.404manual.com>

<http://www.luxmanual.com>

<http://aubethermostatmanual.com>

Golf course search by state

<http://golfingnear.com>

Email search by domain

<http://emailbydomain.com>

Auto manuals search

<http://auto.somanuals.com>

TV manuals search

<http://tv.somanuals.com>