



Service Manual

Horizontal Freezer

CF 26 T

Model Version		Page
CF 26 T		
8549 520 66010		
	Technical data	2
	Spare part list	3
	Exploded view	4
	Circuit and Wiring diagram	5

This documentation is only intended for qualified technicians who are aware of the respective safety regulations.

Date: 22.04.1999

Document-No.: 4812 710 15538

Subject to modification

Technical data

Dimensions

Height	86.7	cm
Width	80.6	cm
Depth	60	cm

Capacity

gross	245	l
-------	-----	---

Electrical connection

Voltage	110 - 127	V
Frequency	50 - 60	Hz

Power consumption

in 24 hours	1.13	kWh
-------------	------	-----

Freezing capacity

in 24 hours	14	kg
-------------	----	----

Compressor

Type	GL 60 AD	
Capacity (CECOMAF)	133	W

Refrigerant

Type	R 134 a	
Quantity	120	g

Thermostat switching value

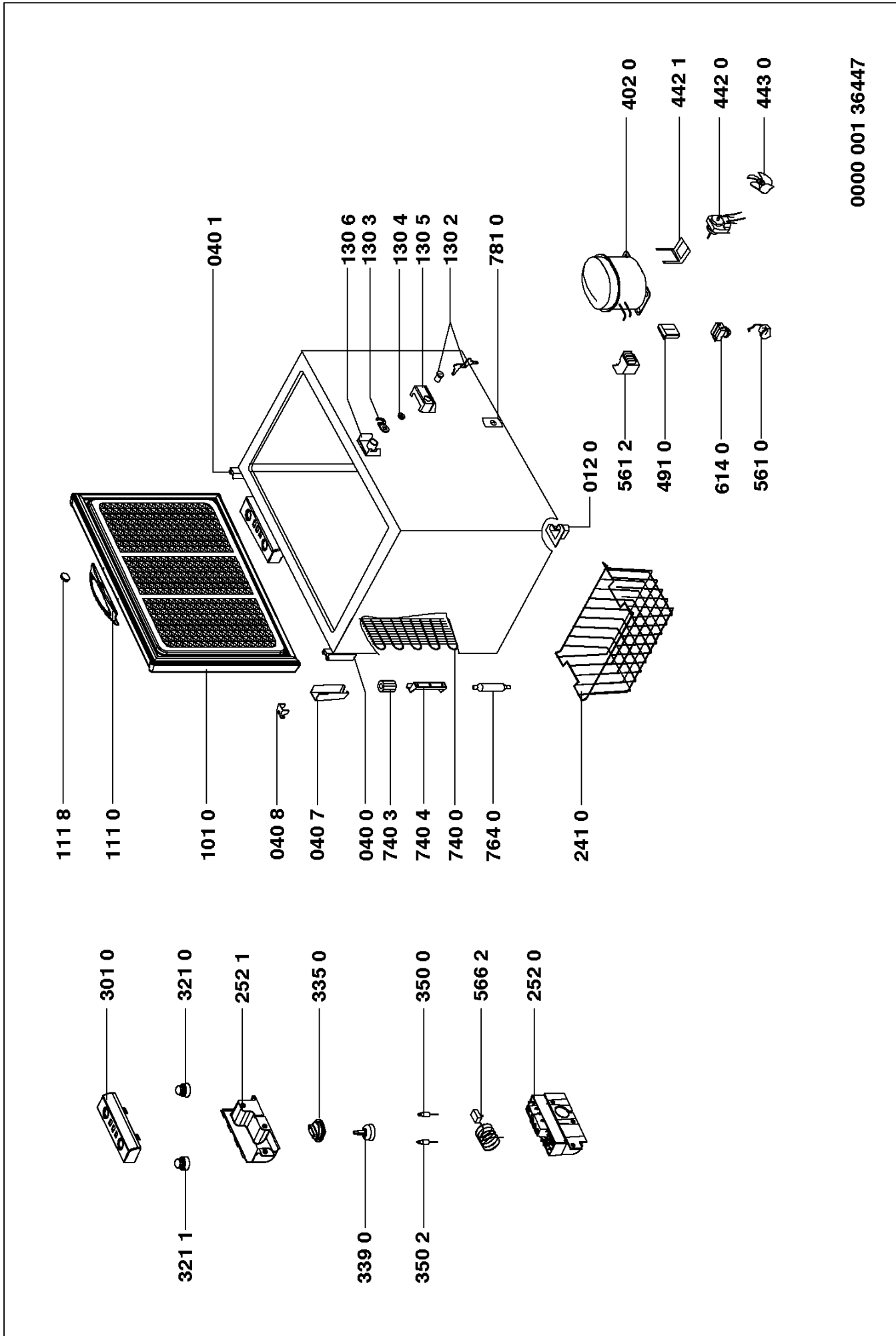
Switch on temperature min.	- 14	°C
Switch on temperature max.	- 23.5	°C
Switch off temperature min.	- 20	°C
Switch off temperature max.	- 29.5	°C

Spare part list

Model CF 26 T
Service No. 854952066010
Version 854952066010

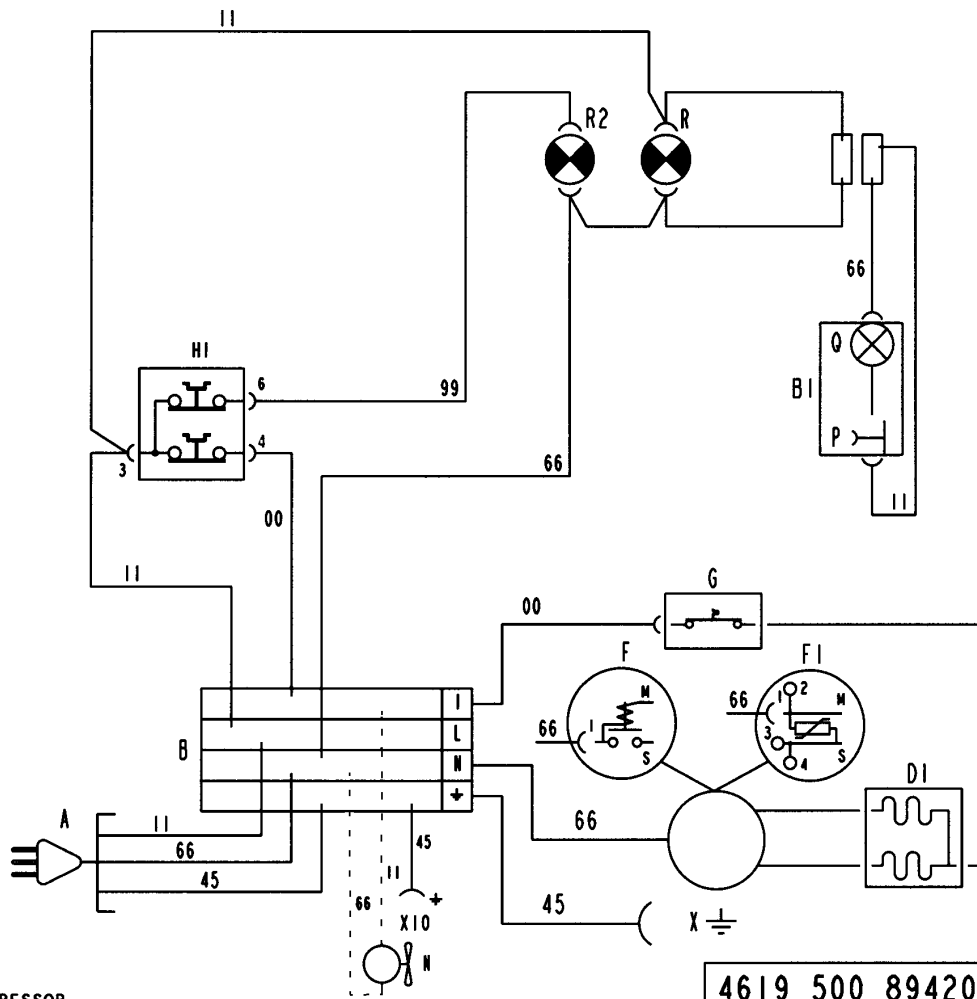
Pos. No.	12NC Code	Description
012 0	4819 462 48511	Foot
040 0	4819 417 19585	Hinge
040 1	4819 417 19584	Hinge
040 7	4819 462 58187	Cover,hinge
040 8	4819 462 58354	Cover,hinge
101 0	4819 442 69242	Door,freezer
111 0	4819 498 78464	Handle,door
111 8	4819 462 88135	Handle,cover
130 2	4819 417 38118	Lock
130 3	4819 401 18332	Hook
130 4	4819 532 58291	Washer
130 5	4819 462 58402	Cover ,lock
130 6	4819 404 79522	Support
241 0	4819 458 68203	Basket
252 0	4819 418 79816	Thermostathous.
252 1	4819 462 88091	Cover
301 0	4819 459 48912	Frame
321 0	4819 381 18251	Lens
321 1	4819 381 18252	Lens
335 0	4819 411 29585	Knob thermostat
339 0	4819 535 98662	Rod
350 0	4812 134 18001	Pilot lamp
350 2	4812 134 48228	Pilot lamp
402 0	4819 360 58749	Compressor GL60AD
442 0	4819 361 18486	Motor
442 1	4819 404 79496	Bracket
443 0	4819 515 38001	Fan wheel
491 0	4819 462 79805	Cover
561 0	4819 282 28722	Protect,motor
561 2	4819 290 68367	Connectionblock ,Zanussi
566 2	4819 271 29077	Thermostat A04-0282-29
614 0	4819 280 68398	Relay
740 0	4819 121 18326	Capacitor
740 3	4819 466 68644	Fixation
740 4	4819 404 79471	Holder
764 0	4819 480 28144	Dryer
781 0	4819 462 88134	Panel f.drain

Exploded view



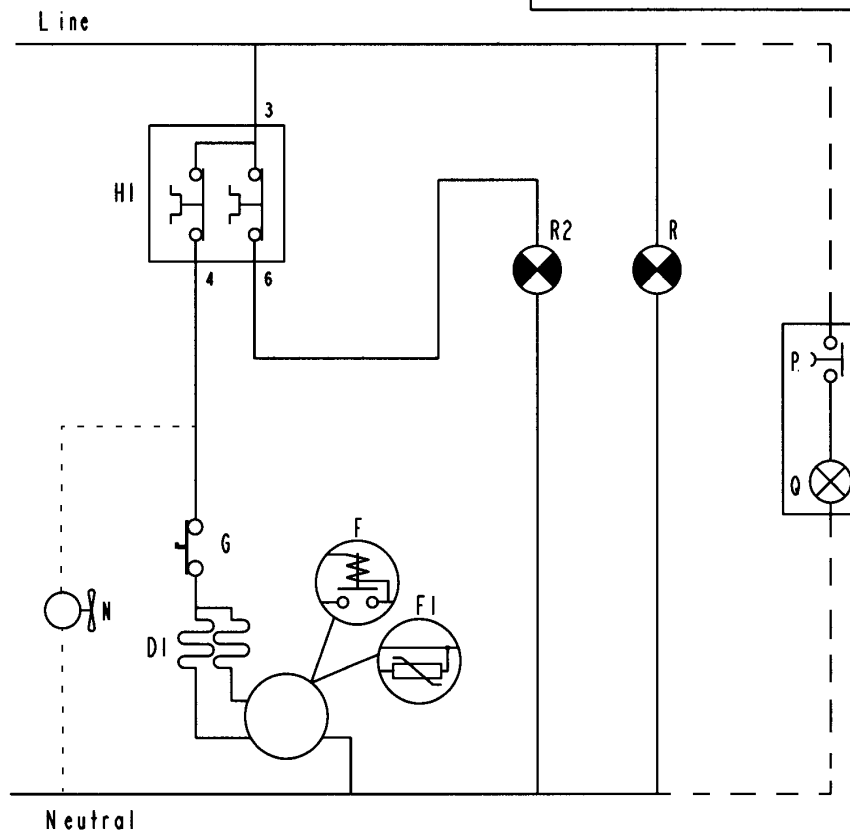
0000 001 36447

Circuit and Wiring diagram



4619 500 89420 B

- DI FREEZER COMPRESSOR
- F STARTING RELAY
- FI P.T.C.
- G OVERLOAD PROTECTOR
- HI FREEZER THERMOSTAT
- N FAN-MOTOR
- P PUSH-SWITCH
- Q LAMP
- R GREEN PILOT LAMP
- R2 RED PILOT LAMP
- A PLUG
- B MAIN CONNECTING BLOCK
- BI CONNECTING BLOCK
- X COMPRESSOR EARTHING
- X10 FAN-MOTOR EARTHING
- 00 BLACK
- 11 BROWN
- 22 RED
- 33 ORANGE
- 45 YELLOW GREEN
- 66 BLUE
- 77 VIOLET
- 88 BLUE-SKY
- 99 WHITE
- - - OPTIONAL



Free Manuals Download Website

<http://myh66.com>

<http://usermanuals.us>

<http://www.somanuals.com>

<http://www.4manuals.cc>

<http://www.manual-lib.com>

<http://www.404manual.com>

<http://www.luxmanual.com>

<http://aubethermostatmanual.com>

Golf course search by state

<http://golfingnear.com>

Email search by domain

<http://emailbydomain.com>

Auto manuals search

<http://auto.somanuals.com>

TV manuals search

<http://tv.somanuals.com>