



Use And Care

GUIDE



COMPACT FREEZER

10/93

A NOTE TO YOU

A Note To You

Thank you for buying a Whirlpool appliance.

You have purchased a quality, *world-class* home appliance. Years of engineering experience have gone into its manufacturing. To ensure that you will enjoy many years of trouble-free operation, we have developed this Use and Care Guide. It is full of valuable information on how to operate and maintain your appliance properly and safely. Please read it carefully. Also, please complete and mail the Ownership Registration Card provided with your appliance. This will help us notify you about any new information on your appliance.

Your safety is important to us.

This guide contains safety symbols and statements. Please pay special attention to these symbols and follow any instructions given. Here is a brief explanation of the use of each symbol.

⚠ WARNING

This symbol will help alert you to such dangers as personal injury, burns, fire and electrical shock.

⚠ CAUTION

This symbol will help you avoid actions which could cause product damage (scratches, dents, etc.) and damage to your personal property.

Our Consumer Assistance Center number, 1-800-253-1301, is toll-free, 24 hours a day.

If you ever have a question concerning your appliance's operation, or if you need service, first see "If You Need Assistance Or Service" on page 12. If you need further help, feel free to call our Consumer Assistance Center. When calling, you will need to know your appliance's complete model number and serial number. You can find this information on the model and serial number plate (see diagram on page 4). For your convenience, we have included a handy place below for you to record these numbers, the purchase date from the sales slip and your dealer's name and telephone number. Keep this book and the sales slip together in a safe place for future reference.

Model Number _____

Dealer Name _____

Serial Number _____

Dealer Phone _____

Purchase Date _____

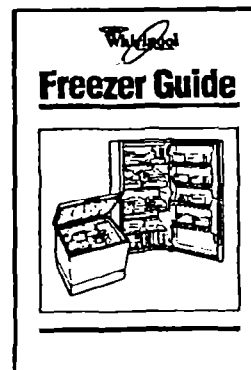
The Whirlpool Freezer Guide is also available.

The Whirlpool Freezer Guide is a companion book to this Freezer Use and Care Guide and is available free of charge. It contains information on freezing different kinds of foods, packaging and food storage times. The Freezer Guide also has helpful hints for saving energy and solving common freezer problems.

To order the Freezer Guide, write to:

Whirlpool Corporation
Attention: Customer Service Dept.
1900 Whirlpool Drive
LaPorte, IN 46305

and request the Whirlpool Freezer Guide,
Part No. 1114865.



IMPORTANT SAFETY INSTRUCTIONS

Important Safety Instructions

⚠ WARNING

To reduce the risk of fire, electrical shock, or injury when using your freezer, follow these basic precautions:

- Read all operating instructions before using your freezer.
- Child entrapment and suffocations are not problems of the past. Junked or abandoned freezers are still dangerous, even if they will "just sit in the garage for a few days."
- Never allow children to operate, play with, or crawl inside the freezer.
- Never clean freezer parts with flammable fluids. The fumes can create a fire hazard or explosion.

If you are getting rid of your old freezer, do it safely. Please read the enclosed safety booklet from the Association of Home Appliance Manufacturers. Help prevent accidents.

• FOR YOUR SAFETY •

DO NOT STORE OR USE GASOLINE OR OTHER FLAMMABLE VAPORS AND LIQUIDS IN THE VICINITY OF THIS OR ANY OTHER APPLIANCE. THE FUMES CAN CREATE A FIRE HAZARD OR EXPLOSION.

—SAVE THESE INSTRUCTIONS—

Help us help you

Please:

- Install and level the freezer on a floor that will hold the weight, and in an area suitable for its size and use.
- Do not install the freezer near an oven, radiator or other heat source.
- Use the freezer only in an area where the temperature will not exceed 110°F (43.3°C) or drop below 55°F (13°C).
- Keep the freezer out of the weather.
- Connect the freezer only to the proper kind of outlet, with the correct electrical supply and grounding. (See "Locating the proper electrical supply" on page 5.)
- Do not load the freezer with food before it has time to get properly cold.
- Use the freezer only to do what home freezers are designed to do.
- Properly maintain the freezer.
- Make sure the freezer is not used by anyone unable to operate it properly.

Also, if your freezer has a Consumer Buy Guide Label, remove it, any packaging material, tape and inside labels (except the model and serial number label) before using your freezer.

To remove any remaining glue:

- Rub briskly with thumb to make a ball, then remove.

OR

- Soak area with liquid hand dishwashing detergent before removing glue as described above.

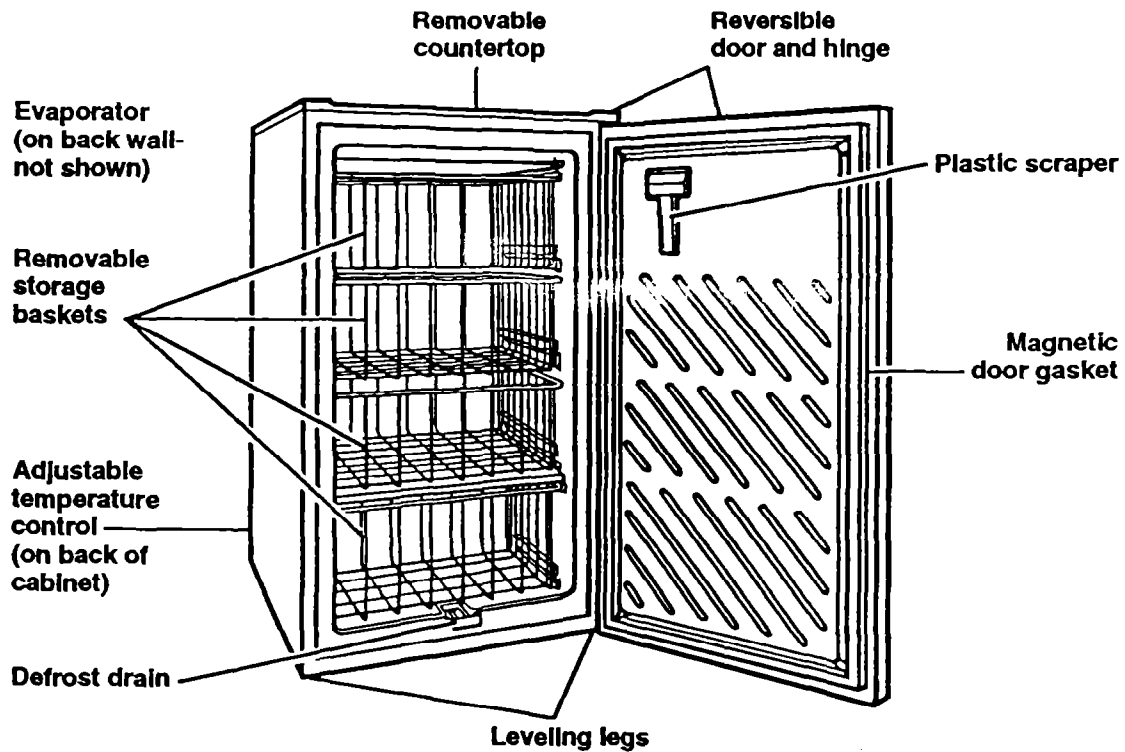
Do not use sharp instruments, rubbing alcohol, flammable fluids or abrasive cleaners. These can damage the material. See "Important Safety Instructions" above.

NOTE: Do not remove the Tech Sheet located on the back of the freezer.

PARTS AND FEATURES

Parts And Features

This section contains captioned illustrations of your appliance. Use them to become familiar with where all parts and features are located and what they look like.



FREEZER DIMENSIONS	
• Height	34 inches
• Width	19 ¹ / ₄ inches
• Depth	20 ³ / ₄ inches (door closed)
• Depth	38 ⁹ / ₃₂ inches (door open 90°)
• Weight	66 pounds
• Freezer capacity	3.2 cu. ft.

Installing Your Freezer

In This Section		Page	Page
Cleaning your freezer	5	Choosing the proper location.....	5
Locating the proper electrical supply ..	5	Completing the installation.....	6

Proper installation of any appliance is very important. This section will tell you everything you need to know to install your freezer properly.

Cleaning your freezer

Clean your freezer thoroughly before using it.

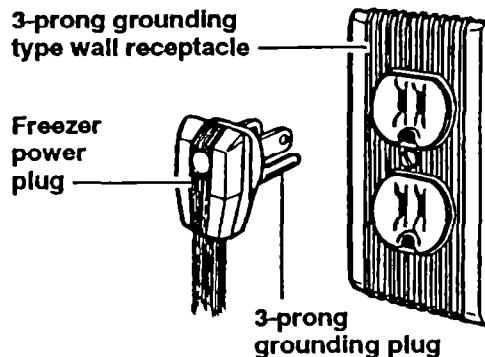
1. Use a sponge, cloth or paper towel and mild detergent in warm water to clean outside and inside of freezer, door liner and gasket.
2. Rinse and dry thoroughly.

Locating the proper electrical supply

Recommended Grounding Method

A 115 Volt, 60 Hz., AC only 15 or 20 ampere fused and properly grounded electrical supply is required. It is recommended that a separate circuit serving only this appliance be provided. Use a receptacle which cannot be turned off with a switch or pull chain. Do not use an extension cord.

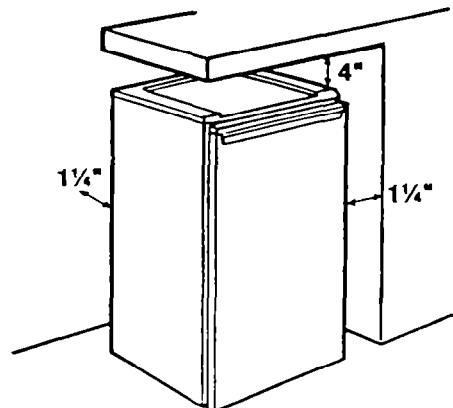
If your freezer does not have a plug with a grounding prong, connect the green ground wire (at the lower back of the freezer) to an effective ground. **DO NOT** ground the wire to gas, electrical or hydraulic piping, PVC tubes, or faucets.



Choosing the proper location

Read the following items before choosing the location for the freezer. See "Completing the installation" on page 6 **before** sliding the freezer into place.

1. Pick a safe place, indoors, away from flammables such as gasoline.
2. Check the strength of the floor. It should hold the weight of a fully loaded freezer.
3. Make sure the floor is level.
4. If you want to enclose your freezer, or store it under a counter, leave at least 1 1/4 inches of air space on all sides and behind the unit. Leave at least 4 inches of air space above the freezer.

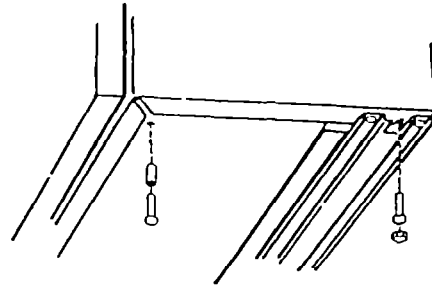


INSTALLING YOUR FREEZER

Completing the installation

Level the freezer so the door will close properly. The leveling legs are packaged with your Use and Care Guide.

1. Attach the 2 plastic legs to the right and left front corners of the freezer base. Use 2 leveling screws.
2. Screw leveling screws into the right and left rear corners of the freezer base.
3. Snap the plastic screw covers over the heads of the rear leveling screws.
4. Connect the freezer to a proper electrical supply. (See "Locating the proper electrical supply" on page 5.)
5. Slide the freezer into place.
6. Place a level on the top of the freezer— first side-to-side, then front-to-back. Turn the rear leveling screws clockwise to lower them or counterclockwise to raise them.
NOTE: Adjust the freezer so the rear legs are slightly lower than the front fixed legs. This will help the door seal better.
7. After the freezer is filled with food, recheck with a level.



Front plastic leg and leveling screw

Rear leveling screw and plastic cover

Using Your Freezer

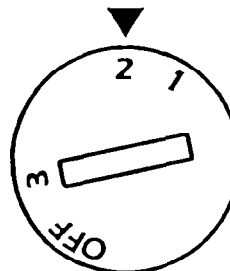
In This Section		Page	Page
Setting the temperature control	7	Removing the countertop	8
Removing the freezer baskets	7	Reversing the door swing	9
Loading the freezer	8	Saving energy	9

In order to obtain the best possible results from your freezer, you must operate it properly. This section will tell you how to do just that.

Setting the temperature control

The Temperature Control is located on the back (lower rear) of the freezer cabinet. Use a coin to adjust the control. The settings range from 1 (warmest) to 3 (coldest). Use the following chart as guide for setting your freezer to the proper temperature.

SETTING	ROOM TEMPERATURE
1 (minimum)	Below 77°F
2 (medium)	77°F to 86°F
3 (maximum)	Above 86°F



NOTE: Allow the freezer to cool 6 to 8 hours before filling it with frozen food. Let the freezer cool overnight before adding large amounts of unfrozen food. Never add more than 2-3 pounds of unfrozen food per cubic foot of freezer space (6.4 to 9.6 pounds total).

Removing the freezer baskets

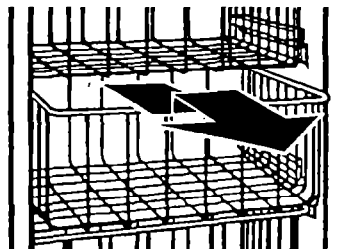
The freezer baskets can be removed for filling with food, removing food, or for easier defrosting and cleaning of the freezer.

To remove the baskets:

- Slide basket straight out, lift front, and slide out the rest of the way.

To replace the baskets:

- Place basket on slides on both sides of the freezer liner. Slide basket in all the way.



USING YOUR FREEZER

Loading the freezer

Go ahead and load up your freezer, but leave room around the food for the cold air to circulate. Your freezer has 4 wire storage baskets to help you organize the food.

NOTE: Do not add more than 9.9 pounds of unfrozen (fresh) food in a 24 hour period.

To load your freezer:

1. Remove the storage baskets.
2. Arrange the food in the baskets. Avoid overloading the baskets. Leave about $\frac{3}{4}$ inch between the top of the food and the top of the storage basket. This allows for proper air circulation.
3. Replace the baskets.

NOTE: Keep the door closed while filling the storage baskets. This will help save energy.

Tips for storing frozen food

- Be aware of expiration dates of frozen foods.
- For more information on packaging and recommended storage times, refer to a reliable cookbook or freezer storage guide.

NOTE: To order Whirlpool's Freezer Guide, see page 2.

Tips for freezing fresh food

When freezing fresh food, follow these tips for better results:

- Only freeze fresh, prime-quality food.
- Avoid placing fresh food next to frozen food.
- Wrap fresh food in aluminum foil, coated freezer paper, or sturdy plastic containers with tight-fitting lids. When the air is removed from the container, the food will not dry out.
- Prepare foods in small portions. This will help with uniform freezing.
- Do not place hot food in the freezer.

Removing the countertop

The countertop can be removed for easier cleaning. It must be removed when reversing the door swing.

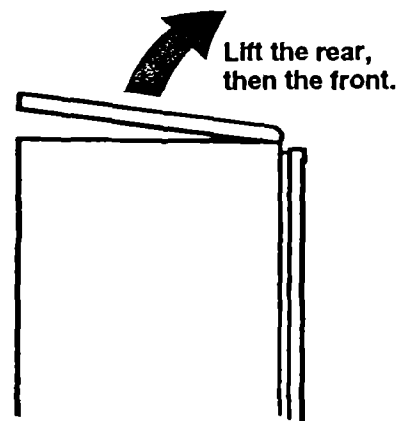
To remove the countertop:

1. Carefully lift the back of the countertop.
2. Lift the front.

To replace the countertop:

1. Position front of countertop in place.
2. Lower back into place.

NOTE: If necessary, replace the adhesive strips on the top of the freezer with the new strips supplied with the unit.

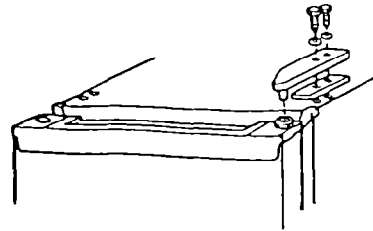


Reversing the door swing

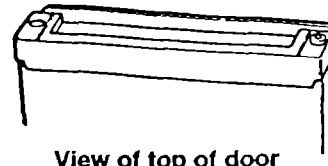
You can reverse the door swing of your freezer so the door opens from the opposite direction.

To reverse the door swing:

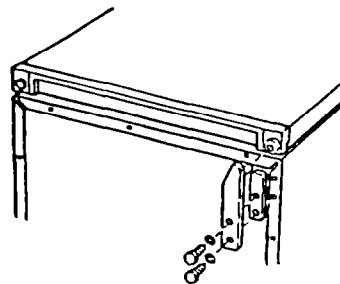
1. Remove the counter top. (See "Removing the counter top" on page 8.)
2. Remove the $\frac{5}{16}$ -inch hinge screws with a screwdriver. Remove the hinge assembly.
3. Gently lift the door up off the bottom hinge.
4. Remove the plastic hole plugs from the opposite side and replace them where the hinge screws used to be.
5. On the top of the door, remove the plastic plugs from both corners and replace them in the opposite holes.
6. On the bottom of the door, remove the plastic plug and replace it in the opposite side.
7. Tilt your freezer back enough to remove the hinge assembly and screws from the bottom of the freezer cabinet.
8. Replace the bottom hinge assembly and screws in the opposite side of the cabinet.
9. Gently place the door on the bottom hinge.
10. Replace the top hinge assembly and screws.
11. Replace the adhesive strips on the top of the cabinet with the new strips supplied with the unit.
12. Replace the counter top.



View of top hinge assembly



View of top of door



View of bottom hinge assembly

Saving energy

You can help save energy.

- Keep the door closed whenever possible. Avoid opening the door unnecessarily.
- Never place hot food inside the freezer.
- Set the Temperature Control to the proper setting for your room conditions.
- Position your freezer so it is slightly tilted backward. This helps the door seal better.
- Place your freezer in a well ventilated area, away from sunlight, hot surfaces, or humidity.

Caring For Your Freezer

In This Section	Page	Page
Defrosting and cleaning the freezer	10	What to do during power outages 11 Vacation and moving care 11

Your freezer is designed to give you years of dependable service. However, there are a few things you can do to ensure a long product life. This section will tell you how to care for your freezer properly.

Defrosting and cleaning the freezer

Defrost and clean your freezer when frost has built up to about 1/4-inch (6 mm) thickness. Complete defrosting and cleaning should be done at least once a year. In high humidity areas, the freezer may need more frequent defrosting and cleaning.

⚠ WARNING

Electrical Shock and Product Damage Hazard

- Turning the Temperature Control to OFF does not remove power from the unit. Failure to unplug the power cord before cleaning or servicing the freezer could result in electrical shock.
- Do not place electrical devices in freezer when defrosting. Shock or injury can occur.
- Do not use an ice pick, knife or other sharp-pointed tool to defrost freezer. Damage can occur.
- Do not use abrasive cleaners on your freezer. Do not use cleaning waxes, concentrated detergents, bleaches or cleaners containing petroleum on plastic parts. Damage can occur.

To defrost and clean the freezer:

1. Turn the Temperature Control to OFF and unplug the power cord.
2. Remove all frozen food. Wrap frozen food in several layers of newspaper and cover with a blanket. Food will stay frozen for several hours.

OR

Store frozen food in a cooler, additional freezer, or in a cool area.

3. Remove the storage baskets and scrape the sides of the liner with the plastic scraper provided with the unit.
NOTE: Be careful when scraping around the evaporator on the back wall. Do not puncture it.
4. Place pans of hot water in the freezer with the door open to speed melting. Directing air from an electrical fan into the freezer will also help. Do not place fan in the freezer.
5. Pull out the drain plug and place a shallow pan or container under the drain opening to catch defrost water.
NOTE: Check the pan frequently to avoid water overflow. Have a second pan handy for easier emptying of the drain pan.
6. Wipe water from the walls with a towel or sponge.
7. Wash the inside walls with a solution of 2 tablespoons (26 g) baking soda to 1 quart (0.95 L) warm water.
8. Rinse and dry thoroughly.
9. Use a sponge, cloth or paper towel and mild detergent in warm water to clean outside of freezer, door liner, door gasket and storage baskets.
10. Rinse and dry thoroughly.
11. Wax painted metal surfaces on outside of freezer to provide rust protection.
NOTE: Do not wax plastic parts. Wax may damage them.
12. Replace the drain plug.
13. Plug in power cord and set Temperature Control to proper setting. (See "Setting the temperature control" on page 7.) Let the unit cool for 2-4 hours with the door closed.
14. Replace food in storage baskets and replace storage baskets in freezer.

What to do during power outages

1. **Call the power company.**
Ask how long power will be off.
2. **Keep freezer closed if service is to be interrupted 24 hours or less.**
This will help food stay frozen.
3. **If service is to be interrupted longer than 24 hours, do this:**
Remove all frozen food and store in a frozen food locker.

OR

Place 2 lbs. (0.9 kg) of dry ice in freezer for every cubic foot of freezer space. This will keep foods frozen for 2 to 4 days.

OR

If dry ice or a food locker is not available, use or can perishable food at once.

⚠ WARNING

Personal Injury Hazard

Wear gloves to protect your hands from dry ice burns.

Failure to do so could result in dry ice burns.

NOTE: A full freezer stays cold longer than a partly filled one. A freezer full of meat stays cold longer than a freezer full of baked goods.

Food containing ice crystals may be safely refrozen, but the quality and flavor of the food may be affected.

Use refrozen food quickly. If the condition of the food is poor, or you feel it is unsafe to eat, dispose of it immediately.

Vacation and moving care

Short vacations

If you will be away for a short period of time (a few days), it is not necessary to turn off your freezer. Set the Temperature Control to 1 (minimum).

Long vacations

If you will be away for a long period of time:

1. Turn the Temperature Control to OFF and unplug the freezer.
2. Remove all frozen food and store in another freezer.
3. Completely defrost and clean your freezer.
4. Tape wood or rubber blocks to the top of the door to prop the door open far enough for air to get in. This will keep odors and mold from forming.

Moving

When you are moving to a new home:

1. Remove all frozen food and pack it in dry ice.
2. Turn the Temperature Control to OFF and unplug the freezer.
3. Clean it thoroughly.
4. Tape the door shut and tape the electrical cord to the cabinet.

When you get to your new home, refer to pages 5-7 of this manual for information on installation and setting the Temperature Control.

⚠ WARNING

Personal Injury Hazard

Do not allow children to climb on, play near or climb inside the freezer when the door is propped open.

They may become injured or trapped.

IF YOU NEED ASSISTANCE OR SERVICE

If You Need Assistance Or Service

This section is designed to help you save the cost of a service call. Part 1 of this section outlines possible problems, their causes, and actions you can take to solve each problem. Parts 2 and 3 tell you what to do if you still need assistance or service. When calling our Consumer Assistance Center for help or calling for service, please provide a detailed description of the problem, your appliance's complete model and serial numbers and the purchase date. (See page 2.) This information will help us respond properly to your request.

1. Before calling for assistance ...

Performance problems often result from little things you can find and fix without tools of any kind. Please check the chart below for problems you can fix. It could save you the cost of a service call.

PROBLEM	POSSIBLE CAUSE	SOLUTION
The freezer stops running	<p>The power cord is not plugged into a live circuit with the proper voltage.</p> <p>A household fuse has blown or circuit breaker has tripped.</p> <p>The local power has failed.</p> <p>The Temperature Control is set to OFF.</p>	<p>Firmly plug the power cord into a live circuit with the proper voltage.</p> <p>Replace fuse or reset circuit breaker.</p> <p>Wait for power to be restored.</p> <p>Set the Temperature Control to a numbered setting.</p>
Food items do not freeze properly	<p>Air circulation is blocked. Food is not arranged properly.</p> <p>The door is opened too often.</p> <p>The freezer is not properly installed.</p> <p>Temperature Control is not set properly.</p>	<p>Rearrange food. Allow room for the air to circulate around the food.</p> <p>Avoid opening the door frequently.</p> <p>See "Installing Your Freezer" on pages 5-6.</p> <p>Set the Temperature Control to the proper position for your room conditions. (See "Setting the temperature control" on page 7.)</p>
You hear noises by the freezer	<p>The freezer is not leveled properly.</p> <p>Gas expansion in the evaporator.</p>	<p>Adjust the rear leveling legs so the freezer is properly leveled. (See "Completing the installation" on page 6.)</p> <p>This is normal on very humid days.</p>
There is humidity in the freezer	<p>Relative humidity in room is too high.</p>	<p>This is normal on very humid days.</p>

IF YOU NEED ASSISTANCE OR SERVICE

2. If you need assistance ...

Call Whirlpool Consumer Assistance Center telephone number. Dial free from anywhere in the U.S.:

1-800-253-1301

and talk with one of our trained consultants. The consultant can instruct you in how to obtain satisfactory operation from your appliance or, if service is necessary, recommend a qualified service company in your area.

If you prefer, write to:

Mr. William Clark
Consumer Assistance Center
Whirlpool Corporation
2000 M-63
Benton Harbor, MI 49022

Please include a daytime phone number in your correspondence.

3. If you need service ...



Whirlpool has a nationwide network of authorized WhirlpoolSM service companies. Whirlpool service technicians are trained to fulfill the product warranty and provide after-warranty service, anywhere in the United States. To locate the authorized Whirlpool service company in your area, call our Consumer Assistance Center telephone number (see Step 2) or look in your telephone directory Yellow Pages under:

• **APPLIANCE-HOUSEHOLD-MAJOR, SERVICE & REPAIR**

- See: Whirlpool Appliances or Authorized Whirlpool Service
(Example: XYZ Service Co.)

• **WASHING MACHINES & DRYERS, SERVICE & REPAIR**

- See: Whirlpool Appliances or Authorized Whirlpool Service
(Example: XYZ Service Co.)

4. If you need FSP® replacement parts ...

FSP is a registered trademark of Whirlpool Corporation for quality parts. Look for this symbol of quality whenever you need a replacement part for your Whirlpool appliance. FSP replacement parts will fit right and work right, because they are made to the same exacting specifications used to build every new Whirlpool appliance.

To locate FSP replacement parts in your area, refer to Step 3 above or call the Whirlpool Consumer Assistance Center number in Step 2.

5. If you are not satisfied with how the problem was solved ...

- Contact the Major Appliance Consumer Action Panel (MACAP). MACAP is a group of independent consumer experts that voices consumer views at the highest levels of the major appliance industry.
- Contact MACAP only when the dealer, authorized servicer and Whirlpool have failed to resolve your problem.

Major Appliance Consumer Action Panel
20 North Wacker Drive
Chicago, IL 60606

- MACAP will in turn inform us of your action.

WHIRLPOOL®

Domestic Freezer Warranty

LENGTH OF WARRANTY	WHIRLPOOL WILL PAY FOR
FULL ONE YEAR WARRANTY From Date of Purchase	FSP® replacement parts and repair labor to correct defects in materials or workmanship.
FULL TEN YEAR WARRANTY From Date of Purchase	FSP replacement parts and repair labor to correct defects in materials or workmanship in the sealed refrigeration system. These parts are: 1. Compressor 4. Drier 2. Evaporator 5. Connecting Tubing 3. Condenser
WHIRLPOOL WILL NOT PAY FOR	
A. Service calls to: 1. Correct the installation of the freezer. 2. Instruct you how to use the freezer. 3. Replace house fuses or correct house wiring or plumbing. 4. Replace light bulbs or batteries. B. Pickup and delivery. This product is designed to be repaired in the home. C. Damage to freezer caused by accident, misuse, fire, flood, acts of God or use of products not approved by Whirlpool. D. Food loss coverage for freezers used in commercial applications. E. Repairs to parts or systems caused by unauthorized modifications made to the appliance.	

8-92

Limited domestic food loss coverage. See below for details on limited domestic food loss protection plan. Service under the full warranties must be provided by an authorized WhirlpoolSM service company.

WHIRLPOOL CORPORATION SHALL NOT BE LIABLE FOR INCIDENTAL OR CONSEQUENTIAL DAMAGES. Some states do not allow the exclusion or limitation of incidental or consequential damages so this limitation or exclusion may not apply to you. This warranty gives you specific legal rights, and you may also have other rights which vary from state to state.

Outside the United States, a different warranty may apply. For details contact your authorized Whirlpool distributor or military exchange.

LIMITED DOMESTIC FOOD LOSS COVERAGE REIMBURSEMENT FOR FOOD LOSSES.

During the first year of ownership, the Whirlpool Freezer warranty provides reimbursement as stated below for food actually spoiled while stored in the freezer as a result of defects in materials or workmanship.

During the second through tenth years of ownership, reimbursement will be made as stated below for food actually spoiled while stored in the freezer as a result of a **FAILURE OF THE SEALED REFRIGERATION SYSTEM.**

Food spoilage losses must be verified by Whirlpool or an authorized WhirlpoolSM service company. Reimbursement of losses will be based on domestic use and freezer size up to the total cumulative amount shown for the ten year warranty period.

- 9.9 cubic feet or smaller up to \$150.00 maximum payment
- 10.0 to 16.0 cubic feet up to \$300.00 maximum payment
- 16.1 cubic feet or larger up to \$400.00 maximum payment

The reimbursement amounts shown may or may not cover the actual replacement cost of the contents of your freezer. They are, however, the maximum payments that will be paid and they are cumulative for the ten year warranty period.

Sorry, but Whirlpool is not responsible for food losses caused by natural spoilage, misuse or negligent care of the freezer, or by accidental or intentional disconnecting of the electrical power cord, power interruption, inadequate power, fire damage, water damage, theft, or riots, strikes, war or acts of God.

If you need service, first see the "Assistance or Service" section of this book. After checking "Assistance or Service," additional help can be found by calling our Consumer Assistance Center telephone number, 1-800-253-1301, from anywhere in the U.S.

PART NO. 2165424

© 1993 Whirlpool Corporation

® Registered Trademark / SM Service Mark of Whirlpool Corporation.

Printed in U.S.A.

Free Manuals Download Website

<http://myh66.com>

<http://usermanuals.us>

<http://www.somanuals.com>

<http://www.4manuals.cc>

<http://www.manual-lib.com>

<http://www.404manual.com>

<http://www.luxmanual.com>

<http://aubethermostatmanual.com>

Golf course search by state

<http://golfingnear.com>

Email search by domain

<http://emailbydomain.com>

Auto manuals search

<http://auto.somanuals.com>

TV manuals search

<http://tv.somanuals.com>