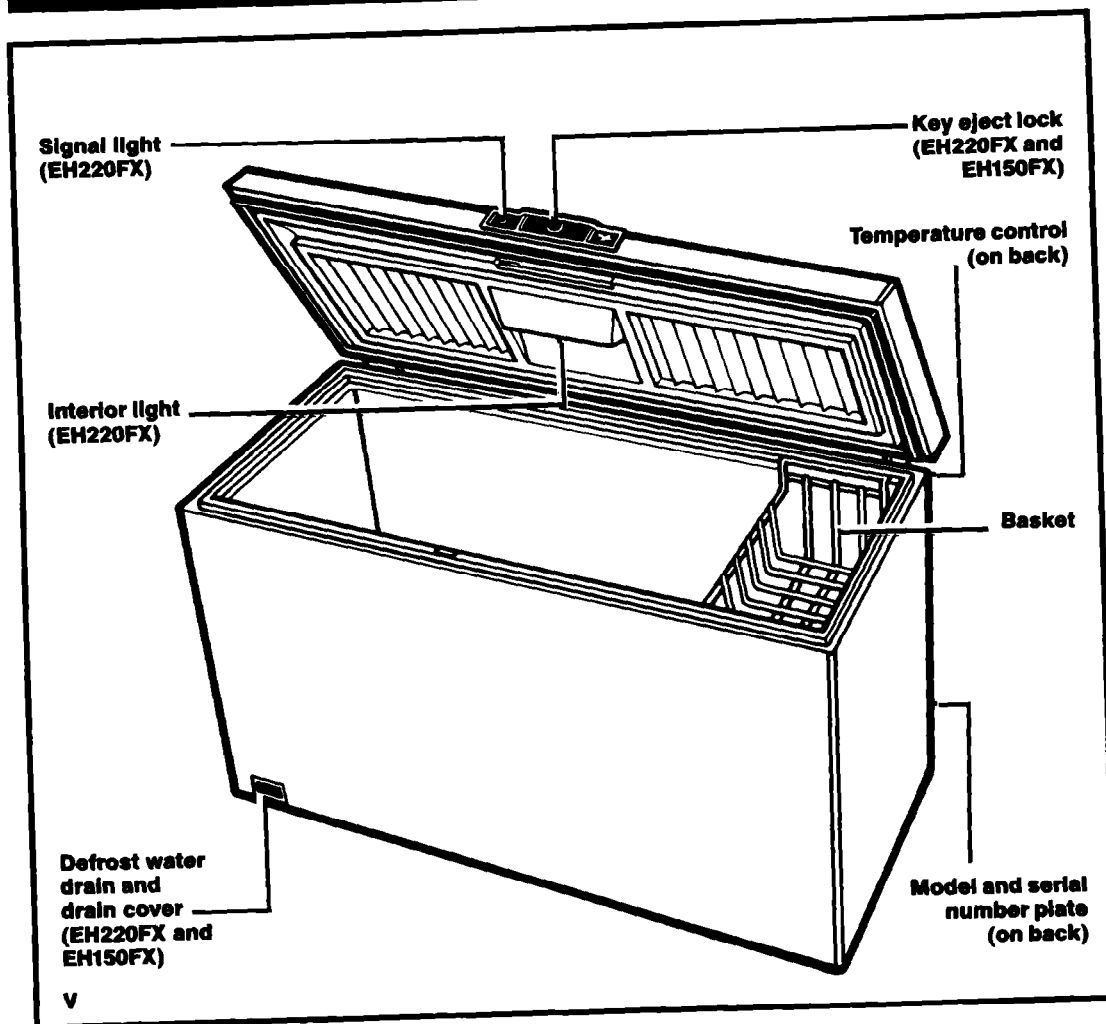




Use & Care Guide



CHEST FREEZERS
EH220FX EH150FX EH100FX
EH070FX EH050FX

Contents

	Page
Important Safety Instructions	3
Installing Your Freezer	4
Using Your Freezer	5
Setting the temperature controls	5
Adjusting the temperature control	5
The sliding basket	5
The key eject lock	5
The signal light	6
The drain cover	6
Changing the light bulbs	6
Cleaning Your Freezer	7
Caring For Your Freezer	8
If electricity goes off	8
Moving	8
If You Need Service Or Assistance	9
Whirlpool Domestic Freezer Warranty	12

©1990 Whirlpool Corporation

Remove the Consumer Buy Guide Label, tape and any inside labels before using the freezer.

To remove any remaining glue:

- Rub briskly with thumb to make a ball then remove.

OR

- Soak area with liquid hand dishwashing detergent before removing glue as described above. Do not use sharp instruments, rubbing alcohol, flammable fluids or abrasive cleaners. These can damage the material. See "Important Safety Instructions" on page 3.

NOTE: Do not remove the Tech Sheet on back of freezer cabinet.

Thank you for buying a Whirlpool appliance. Please complete and mail the Owner Registration Card provided with this product. Then complete the form below. Have this information ready if you need service or call with a question.

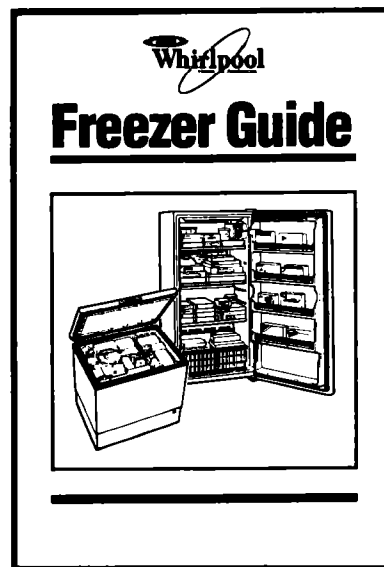
- Copy model and serial numbers from plate (see diagram on front cover) and purchase date from sales slip.
- Keep this book and sales slip together in a handy place.

Model Number

Serial Number

Purchase Date

Service Company Phone Number



Whirlpool Freezer Guide for your freezer.

The Whirlpool Freezer Guide is a companion book to this Freezer Use and Care Guide and is available free of charge. It contains information on freezing different kinds of foods, packaging and food storage times. The Freezer Guide also has helpful hints for saving energy and solving common freezer problems.

To order the Freezer Guide, write to:

Whirlpool Corporation
Attention: Customer Service Dept.
1900 Whirlpool Drive
LaPorte, IN 46305

and request the Whirlpool Freezer Guide,
Part No. 1114865.

Important Safety Instructions

⚠ WARNING

To reduce the risk of fire, electrical shock, or injury when using your freezer, follow basic precautions including the following:

- **Read all instructions before using the freezer.**

- **Child entrapment and suffocation are not problems of the past. Junked or abandoned freezers are still dangerous...even if they will "just sit in the garage a few days."**

If you are getting rid of your old freezer, do it safely. Please read the enclosed safety booklet from the Association of Home Appliance Manufacturers. Help prevent accidents.

- **Never allow children to operate, play with, or crawl inside the freezer.**

• FOR YOUR SAFETY •

DO NOT STORE OR USE GASOLINE OR OTHER FLAMMABLE VAPORS AND LIQUIDS IN THE VICINITY OF THIS OR ANY OTHER APPLIANCE. THE FUMES CAN CREATE A FIRE HAZARD OR EXPLOSION.

It is your responsibility to be sure your freezer:

- is installed and leveled on a floor that will hold the weight, and in an area suitable for its size and use.
- is connected only to the right kind of outlet, with the right electrical supply and grounding. (Refer to the Electrical Requirements and Grounding Instructions Sheet.)
- is used only to do what home freezers are designed to do.
- is not near an oven, radiator or other heat source.
- is properly maintained.
- is out of the weather.
- is used in an area where the temperature will not exceed 110°F (43.3°).
- is not used by anyone unable to operate it properly.
- is not loaded with food before it has time to get properly cold.

– SAVE THESE INSTRUCTIONS –

Installing Your Freezer

Clean it

Clean your freezer before using it.

1. Use a sponge, cloth or paper towel and mild detergent in warm water to clean outside and inside of freezer, lid liner and gasket.
2. Rinse and dry thoroughly.

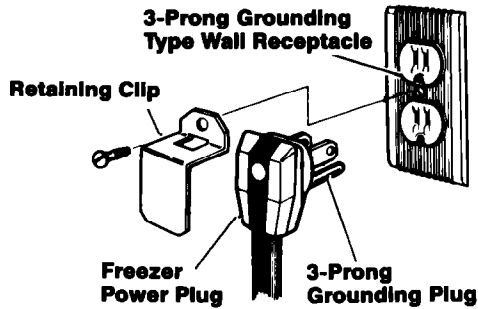
Plug it in

Recommended Grounding Method

A 115 Volt, 60 Hz., AC only 15 or 20 ampere fused and properly grounded electrical supply is required. It is recommended that a separate circuit serving only this appliance be provided. Use a receptacle which cannot be turned off with a switch or pull chain. Do not use an extension cord.

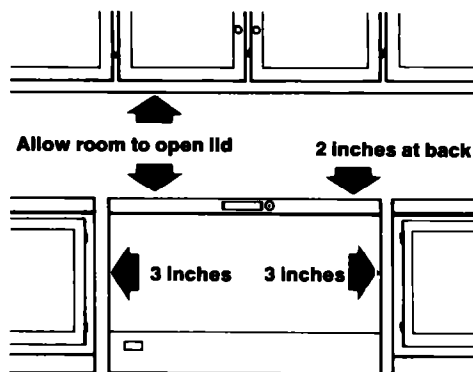
Attach retaining clip, from literature pack inside the freezer, over power cord plug.

See Electrical Requirements and Grounding Instruction Sheet in your Literature Package.



Install properly

1. Pick a safe place, indoors, away from flammables such as gasoline.
2. Check the strength of the floor. It should hold the weight of a fully loaded freezer.
3. Allow at least 3 inches (7.5 cm) air space on all sides of freezer and 2 inches (5 cm) at back. Leave room at top for lid to open all the way.
4. It should not be necessary to remove the lid during installation. If, for any reason, the hinges need adjustment, see your authorized Whirlpool dealer.
5. Do not cover the freezer with items such as blankets, sheets, tablecloths, etc.

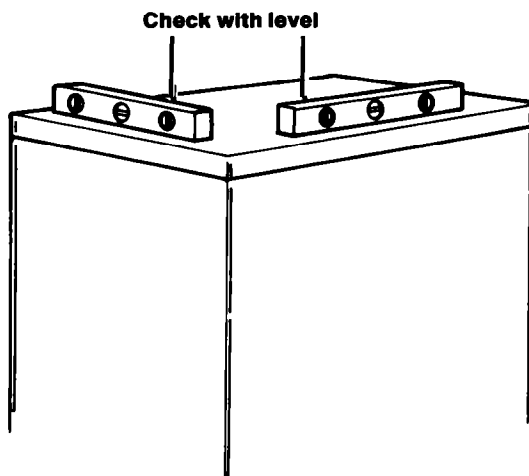


Level chest freezer

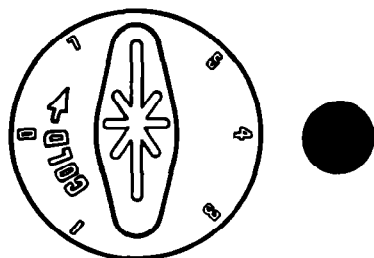
Level freezer from end to end and front to back so that the lid will seal properly. Use shim(s) to level if needed.

Install defrost drain cover (EH220FX and EH150FX)

1. Remove defrost drain cover from literature package.
2. Check drawing on page 6 for placement.
3. Install cover.



Using Your Freezer



Setting the temperature control

Turn control to "4." This setting is designed to maintain the temperature at or near 0°F (– 17.8°C) under normal operating conditions.

- Allow the freezer to cool 6 to 8 hours before filling with **frozen food**.
- Let freezer cool overnight before adding large amounts of **unfrozen food**. Never add more than 2-3 pounds of unfrozen food per cubic foot of freezer space.

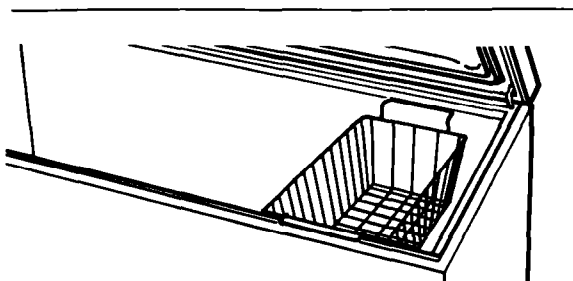
NOTE: When freezer is first started the compressor will run constantly until the cabinet is cooled. It may take up to 6 to 8 hours or longer, depending on room temperature and the number of times the freezer lid is opened.

After the cabinet is cooled the compressor will turn on and off as needed to keep freezer at proper temperature.

The outside of your freezer may feel warm. This is normal. The freezer's design and main function is to remove heat from packages and air space inside the freezer. This heat is transferred to the room air, so the outside walls of the freezer may be warm.

Adjusting the temperature control

- Turn control to higher number for colder temperatures.
- Turn to lower number for less cold temperatures.



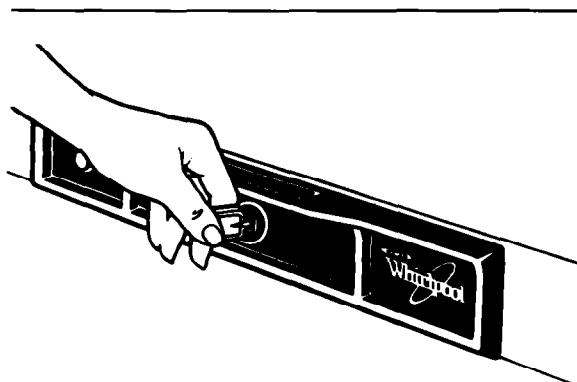
The sliding basket

Store small packages in basket to avoid losing them in the bottom of freezer.

The basket can be moved from side to side or removed when loading or unloading food below.

To remove: Lift basket(s) out.

To replace: Lower basket(s) into place.



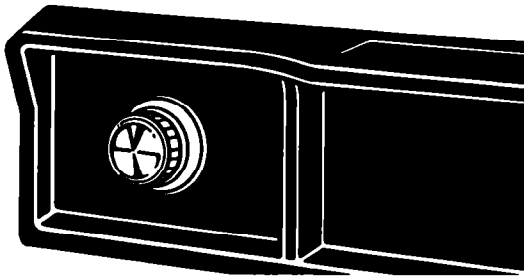
The key eject lock (EH220FX and EH150FX)

If your freezer is equipped with a lock, it can help reduce the hazard of child entrapment.

To lock or unlock the freezer you must hold the key in the lock while turning. The lock is spring loaded so the key cannot be left in the lock.

If the key is lost, contact your Whirlpool dealer for a replacement. Always give the complete model and serial number of your freezer when requesting a replacement key.

Using Your Freezer Continued

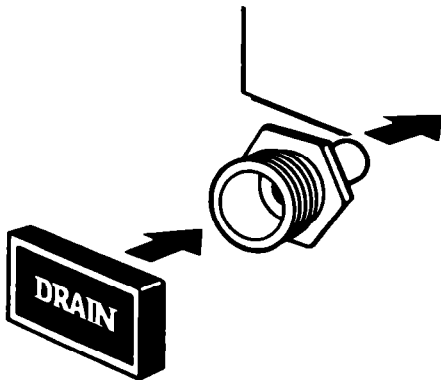


The signal light (EH220FX)

The signal light automatically warns of any unexpected power failure.

If the signal light is not glowing, immediately check:

- for power interruption.
- for an unplugged power cord.
- for an open circuit breaker or blown fuse.
- for a burned out signal light.



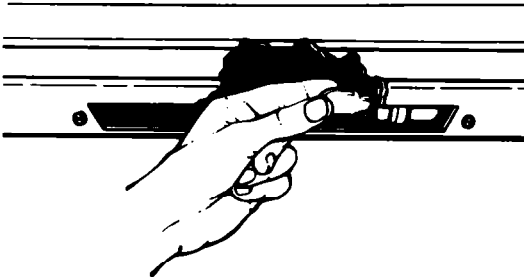
The drain cover

To remove drain cover for defrosting:

1. Remove drain cover by pulling out.
2. Insert hose adapter provided into drain outlet.
3. Remove rubber stopper from inside bottom of freezer.
4. Place a pan under the drain, or attach a hose to the threaded end of the adapter and direct water into a separate drain.

To replace drain cover after defrosting:

1. Remove hose adapter.
2. Replace rubber stopper.
3. Replace drain cover.



Changing the light bulbs (EH220FX)

⚠ WARNING

Electrical Shock Hazard

Before removing a light bulb, either unplug the freezer or disconnect the electricity leading to the freezer at the main power supply. Shock and injury can occur if electricity remains connected.

To change the interior light:

1. Disconnect freezer from power supply.
2. Reach behind light lens to remove bulb.
3. Replace bulb with a 15-watt appliance bulb.
4. Reconnect freezer to power supply.

To change the signal light:

1. Disconnect freezer from power supply.
2. Carefully snap out light cover and assembly with a screwdriver by inserting it under the metal edge of light. Be careful not to chip finish on freezer handle.
3. Unplug burned out signal light and replace with a new one. Signal light can be ordered from your authorized Whirlpool servicer.
4. Snap light cover and assembly into place.
5. Reconnect freezer to power supply.

Cleaning Your Freezer

Defrost and clean your freezer when frost has built up to about 1/4 inch (6 mm) thickness. Complete defrosting and cleaning should be done at least once a year. In high humidity areas, a freezer may need more frequent defrosting and cleaning.

⚠ WARNING

Electrical Shock and Product Damage Hazard

- **Do not place electrical devices in freezer. Shock or injury can occur.**
- **Do not use an ice pick, knife or other sharp-pointed tool to defrost freezer. Damage can occur.**
- **Do not use abrasive cleaners on your freezer. Do not use cleaning waxes, concentrated detergents, bleaches or cleaners containing petroleum on plastic parts. Damage can occur.**

1. Disconnect freezer from power supply.
2. Remove all frozen food. Wrap frozen food in several layers of newspaper and cover with a blanket. Food will stay frozen several hours.

OR

Store frozen food in a cooler, additional refrigerator-freezer, or in a cool area.

3. **For models EH220FX and EH150FX:** Remove drain cover and place a shallow pan under drain to catch defrost water.
NOTE: Check pan often during defrosting to avoid water overflow. It is a good idea to have a second shallow pan available during defrosting to allow rotating of pans, as needed, to empty full pan.
4. Place pans of hot water in freezer with lid open to speed melting. Directing air from an electric fan into freezer will also help. **Do not place fan in freezer.**
5. Use a plastic scraper to remove frost.
6. Wipe water from walls with a towel or sponge.
7. Wash the inside walls with a solution of 2 tablespoons (26 g) baking soda to 1 quart (0.95 L) of warm water.
8. Rinse and dry thoroughly.
9. Use a sponge, cloth or paper towel and mild detergent in warm water to clean outside of freezer, lid liner and gasket.
10. Rinse and dry thoroughly.
11. Wax painted metal surfaces on outside of freezer to provide rust protection.
NOTE: Do not use wax on plastic surfaces. Wax may damage them.
12. Replace all frozen food.
13. Reconnect freezer to power supply.

Caring For Your Freezer

If electricity goes off

- 1. Call the power company.**
Ask how long the power will be off.
- 2. Keep freezer closed if service is to be interrupted 24 hours or less.**
This will help food stay frozen.
- 3. If service is to be interrupted longer than 24 hours, do this:**
Remove all frozen food and store in a frozen food locker.

OR

Place 2 lbs. (0.9 kg) of dry ice in freezer for every cubic foot of freezer space. This will keep food frozen for 2 to 4 days.

⚠ WARNING

Personal Injury Hazard

Wear gloves to protect your hands from dry ice burns. Failure to do so could result in personal injury.

OR

If dry ice or a food locker is not available, use or can perishable food at once.

NOTE: A full freezer stays cold longer than a partly filled one. A freezer full of meat stays cold longer than a freezer full of baked goods.

Food containing ice crystals may be safely refrozen, but the quality and flavor of the food may be affected.

Use refrozen food quickly. If the condition of the food is poor, or you feel it is unsafe to eat, dispose of it immediately.

Moving

Remove all frozen food and pack it in dry ice. Unplug the freezer and clean it thoroughly. Tape the lid shut and tape electrical cord to the cabinet.

When you get to your new home, refer to "Installing Your Freezer" and "Using Your Freezer" sections.

If You Need Service Or Assistance

We suggest you follow these steps:

1. Before calling for assistance...

Performance problems often result from little things you can find and fix yourself without tools of any kind.

If freezer stops running:

- Check to see if power cord is plugged into the outlet.
- Check fuse box or circuit breaker.
- Check electric company for a power failure.

If motor seems to run too long:

- If large amounts of unfrozen food have been put into the freezer, motor will run longer.
- On hot summer days or if room is hot, motor will run longer to provide correct amount of cooling.

If freezer feels warm:

- During normal operating conditions the freezer transfers heat removed from food packages and air space to the outside room air. The freezer cabinet may feel warm.

If frost builds up on the trim strip around top of cabinet:

- Check the fit of the lid to make sure it is sealing. With the lid closed, press down firmly on the edges or at the center of the lid. This pressure will cause the flexible lid to fit flat against the cabinet and seal.
- Do not open or close the lid by grasping a corner. Use the handle.

2. If you need assistance*...

Call Whirlpool COOL-LINE® service assistance telephone number. Dial free from anywhere in the U.S.:

1-800-253-1301

and talk with one of our trained consultants. The consultant can instruct you in how to obtain satisfactory operation from your appliance or, if service is necessary, recommend a qualified service company in your area.

If you prefer, write to:

Mr. Donald Skinner
Director of Consumer Relations
Whirlpool Corporation
2000 M-63
Benton Harbor, MI 49022

Please include a daytime phone number in your correspondence.

3. If you need service*...



Whirlpool has a nationwide network of authorized WhirlpoolSM service companies. Whirlpool service technicians are trained to fulfill the product warranty and provide after-warranty service, anywhere in the United States. To locate the authorized Whirlpool service company in your area, call our COOL-LINE® service assistance telephone number (see Step 2) or look in your telephone directory Yellow Pages under:

APPLIANCES - HOUSEHOLD - ELECTRICAL APPLIANCES -
MAJOR - SERVICE & REPAIR MAJOR - REPAIRING & PARTS
OR
WASHING MACHINES, DRYERS
& IRONERS - SERVICING
WHIRLPOOL APPLIANCES
AUTHORIZED WHIRLPOOL SERVICE
SERVICE COMPANIES
XYZ SERVICE CO
123 MAPLE 999-9999

4. If you need FSP® replacement parts*...

FSP is a registered trademark of Whirlpool Corporation for quality parts. Look for this symbol of quality whenever you need a replacement part for your Whirlpool appliance. FSP replacement parts will fit right and work right, because they are made to the same exacting specifications used to build every new Whirlpool appliance.

To locate FSP replacement parts in your area, refer to Step 3 above or call the Whirlpool COOL-LINE® service assistance number in Step 2.

5. If you are not satisfied with how the problem was solved*...

- Contact the Major Appliance Consumer Action Panel (MACAP). MACAP is a group of independent consumer experts that voices consumer views at the highest levels of the major appliance industry.
- Contact MACAP only when the dealer, authorized servicer or Whirlpool have failed to resolve your problem.
Major Appliance Consumer Action Panel
20 North Wacker Drive
Chicago, IL 60606
- MACAP will in turn inform us of your action.

*When requesting assistance, please provide: model number, serial number, date of purchase, and a complete description of the problem. This information is needed in order to better respond to your request.

Whirlpool® Domestic Freezer Warranty

FZ003

LENGTH OF WARRANTY	WHIRLPOOL WILL PAY FOR
FULL ONE YEAR WARRANTY From Date of Purchase	FSP® replacement parts and repair labor to correct defects in materials or workmanship.
FULL TEN YEAR WARRANTY From Date of Purchase	FSP® replacement parts and repair labor to correct defects in materials or workmanship in the sealed refrigeration system. These parts are: 1. Compressor 2. Evaporator 3. Condenser 4. Drier 5. Connecting tubing
WHIRLPOOL WILL NOT PAY FOR	
<p>A. Service calls to:</p> <ol style="list-style-type: none"> 1. Correct the installation of the freezer. 2. Instruct you how to use the freezer. 3. Replace house fuses or correct house wiring or plumbing. 4. Replace light bulbs or batteries. <p>B. Pick up and delivery. This product is designed to be repaired in the home.</p> <p>C. Damage to freezer caused by accident, misuse, fire, flood, acts of God or use of products not approved by Whirlpool.</p> <p>D. Food loss coverage for freezers used in commercial applications.</p>	

Limited domestic food loss coverage. See below for details on limited domestic food loss protection plan. Service under the full warranties must be provided by an authorized WhirlpoolSM service company. WHIRLPOOL CORPORATION SHALL NOT BE LIABLE FOR INCIDENTAL OR CONSEQUENTIAL DAMAGES. Some states do not allow the exclusion or limitation of incidental or consequential damages so this limitation or exclusion may not apply to you. This warranty gives you specific legal rights, and you may also have other rights which vary from state to state.

Outside the United States, a different warranty may apply. For details, please contact your authorized Whirlpool distributor or military exchange.

LIMITED DOMESTIC FOOD LOSS COVERAGE REIMBURSEMENT FOR FOOD LOSSES

During the first year of ownership, the Whirlpool Freezer warranty provides reimbursement as outlined below for food actually spoiled while stored in the freezer as a result of defects in materials or workmanship.

During the second through tenth years of ownership, reimbursement will be made as outlined below for food actually spoiled while stored in the freezer as a result of a **FAILURE OF THE SEALED REFRIGERATION SYSTEM.**

Food spoilage losses must be verified by Whirlpool or an authorized WhirlpoolSM service company. Reimbursement of loss will be based on domestic use and freezer size up to the total cumulative amount shown for the ten year warranty period.

9.9 cu. ft. or smaller	up to \$ 75.00 maximum payment
10.0 cu. ft. to 16.0 cu. ft.	up to \$125.00 maximum payment
16.1 cu. ft. and larger	up to \$200.00 maximum payment

The reimbursement amounts shown are representative for the contents of typical freezers by size and may or may not cover the actual replacement costs of the contents of your freezer. They are the maximum amounts, however, that will be paid and they are cumulative for the ten year warranty period.

Sorry, but Whirlpool is not responsible for food losses caused by natural spoilage, misuse or negligent care of the freezer, or by accidental or intentional disconnecting of the electric power cord, power interruption, inadequate power, fire damage, water damage, theft, or riots, strikes, war or acts of God.

If you need service, first see the "Service and Assistance" section of your freezer Use and Care Guide. After checking "Service and Assistance," additional help can be found by calling our COOL-LINE® service assistance telephone number, **1-800-253-1301**, from anywhere in the U.S.

Free Manuals Download Website

<http://myh66.com>

<http://usermanuals.us>

<http://www.somanuals.com>

<http://www.4manuals.cc>

<http://www.manual-lib.com>

<http://www.404manual.com>

<http://www.luxmanual.com>

<http://aubethermostatmanual.com>

Golf course search by state

<http://golfingnear.com>

Email search by domain

<http://emailbydomain.com>

Auto manuals search

<http://auto.somanuals.com>

TV manuals search

<http://tv.somanuals.com>