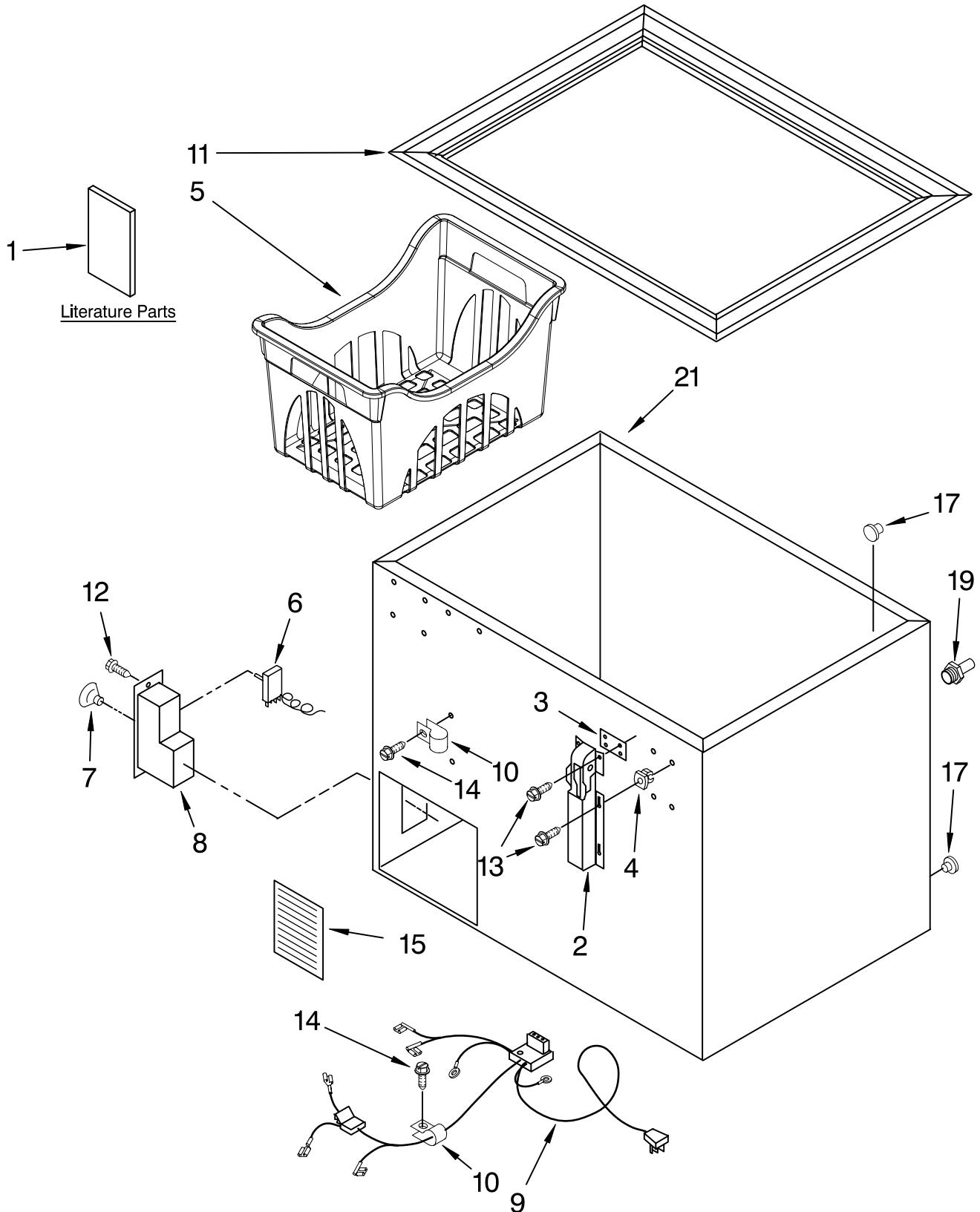




# CABINET PARTS

For Model: EH050FXRQ01  
(White)

CHEST FREEZER



FOR ORDERING INFORMATION REFER TO PARTS PRICE LIST

# CABINET PARTS

For Model: EH050FXRQ01

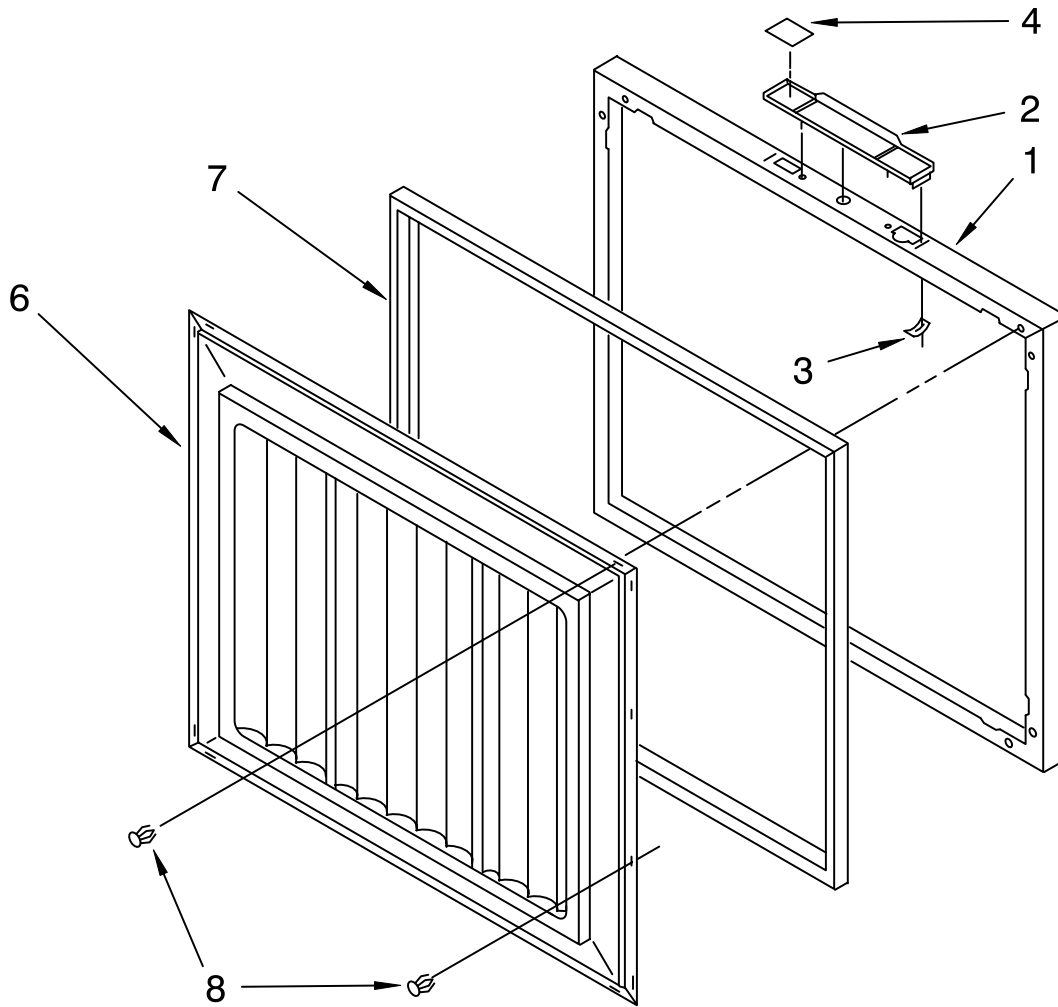
(White)

<b>Illus. No.</b>	<b>Part No.</b>	<b>DESCRIPTION</b>
1		Literature Parts
	8210431	Owner's Manual
	4356789	Energy Label
2	4356490	Hinge Assembly
3	4356463	Spacer, Hinge
4	4356321	Plastic, Grommet
5	8210333	Basket, Plastic
6	8210276	Thermostat
7	4356769	Knob, Thermostat
8	8210234	Control Box
9	4356743	External, Wiring Harness
10	4356643	Plastic, Clip (2)
11	4356681	Breaker Strip
12	4356583	Screw
13	4356491	Screw
14	4356496	Screw
15	4356622	Access Panel
17	4356456	Drain Cap
19	4356481	Adapter, Drain
21		Cabinet (Not A Serviceable Part)

FOR ORDERING INFORMATION REFER TO PARTS PRICE LIST

# DOOR PARTS

For Model: EH050FXRQ01  
(White)



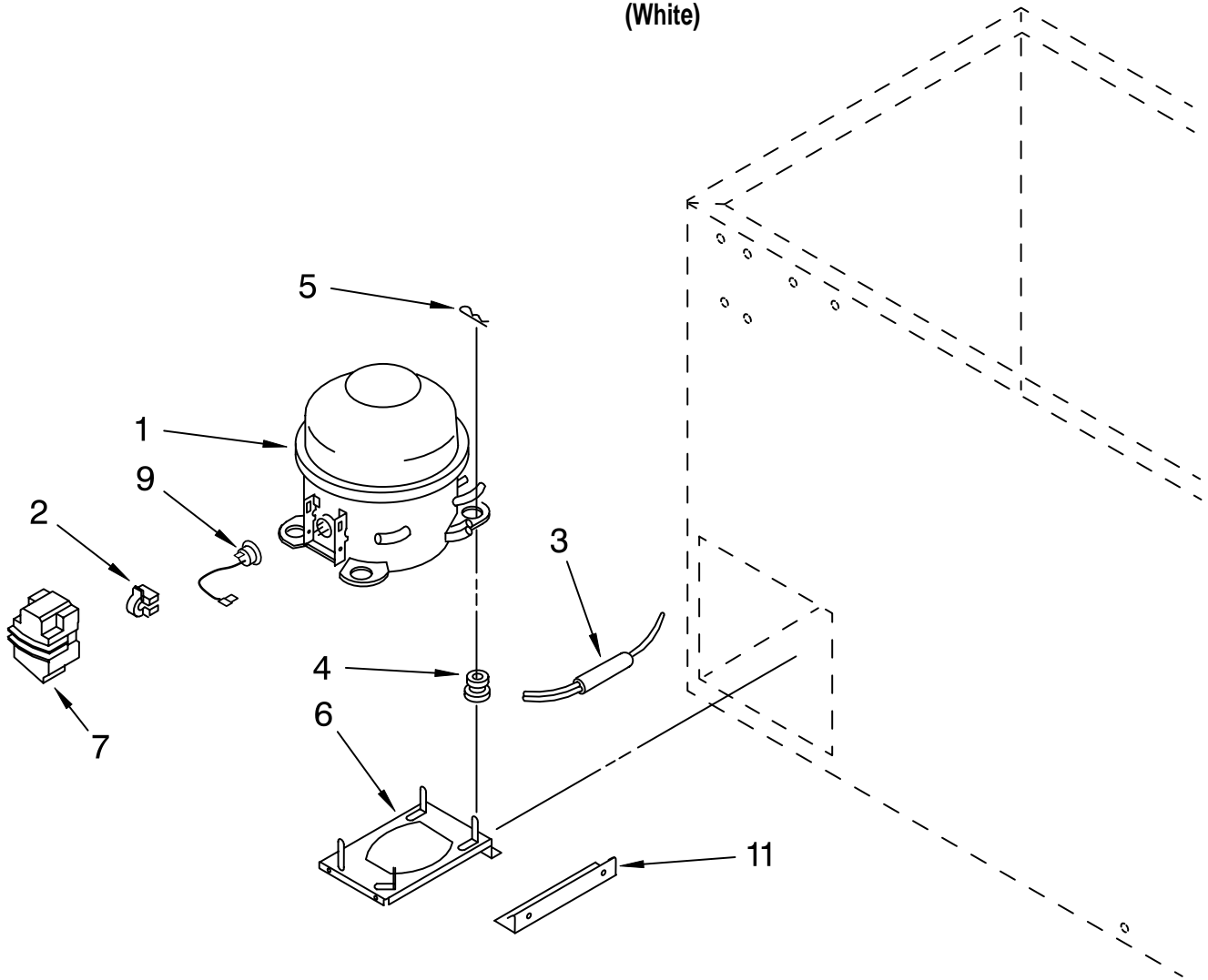
Illus. No.	Part No.	DESCRIPTION
1	4390898	Exterior Door Panel (Includes Insulation)
2	4356548	Handle
3	4356306	Clip, Handle
4	2255121	Nameplate
6	4356564	Interior Door Panel
7	4356714	Gasket
8	4356317	Plastic, Mounting Clip

FOR ORDERING INFORMATION REFER TO PARTS PRICE LIST

# UNIT PARTS

For Model: EH050FXRQ01

(White)



Illus. No.	Part No.	DESCRIPTION
1	4356715	Compressor (Includes Items 2, 3, 4, 7 & 9)
2	4356716	Relay
3	4357299	Drier
4	4356335	Grommet, Mounting Compressor
5	4356336	Clip, Hitch Pin
6	4356680	Base, Compressor
7	4356599	Cover
9	4356717	Overload
11	4356720	Brace



## REFRIGERANT CHARGE

3.0 oz.  
(R-134A)

FOR ORDERING INFORMATION REFER TO PARTS PRICE LIST

# OPTIONAL PARTS (NOT INCLUDED)

For Model: EH050FXRQ01

(White)

<b>Illus. No.</b>	<b>Part No.</b>	<b>DESCRIPTION</b>
-------------------	-----------------	--------------------

---

Parts Not Illustrated and  
Optional Parts (Not Included)

---

### Customer Touch-Up Material

*350930	Enamel, White (13 Oz. Spray Can)
72017	Brush Touch-Up Kit (White)
799344	Enamel, White (1 Qt. Uncut)

**\*Important:** The spray paint is not to be used where the paint may make contact with the door gaskets.

4356703 Rivet Kit (60)

FOR ORDERING INFORMATION REFER TO PARTS PRICE LIST

## Free Manuals Download Website

<http://myh66.com>

<http://usermanuals.us>

<http://www.somanuals.com>

<http://www.4manuals.cc>

<http://www.manual-lib.com>

<http://www.404manual.com>

<http://www.luxmanual.com>

<http://aubethermostatmanual.com>

Golf course search by state

<http://golfingnear.com>

Email search by domain

<http://emailbydomain.com>

Auto manuals search

<http://auto.somanuals.com>

TV manuals search

<http://tv.somanuals.com>